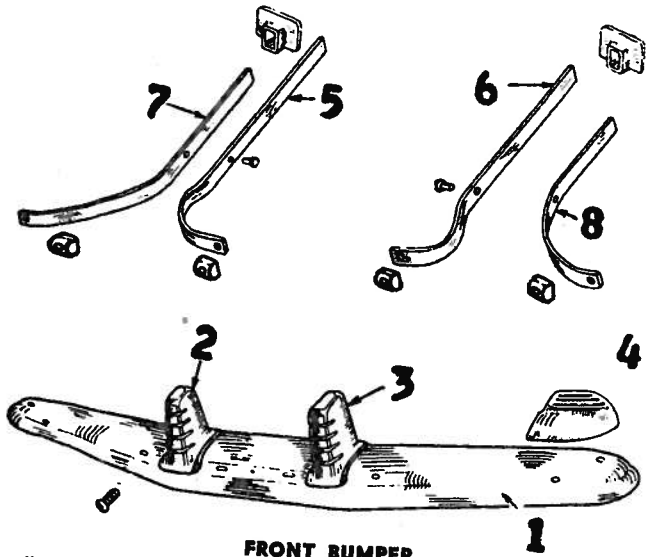


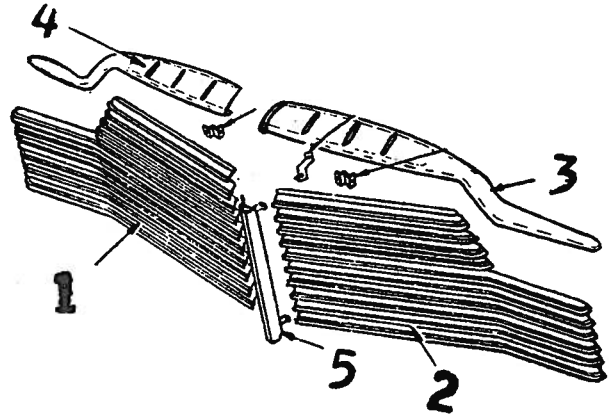
# STUDEBAKER 1946 BODY PARTS

## Model 5G Champion. ALL BODY STYLES



### FRONT BUMPER

Item Part No.	Description	Price	Item Part No.	Description	Price
515021	Face bar	17.50	5	514656—Brkt., R., in.	1.20
519037	Vert. guard, R.	5.00	6	514657—Brkt., L., in.	1.10
519038	Vert. guard, L.	5.00	7	514658—Brkt., R., out.	1.20
514848	Wing guard, R.	3.50	8	514659—Brkt., L., out.	1.10
514849	Wing guard, L.	3.50			



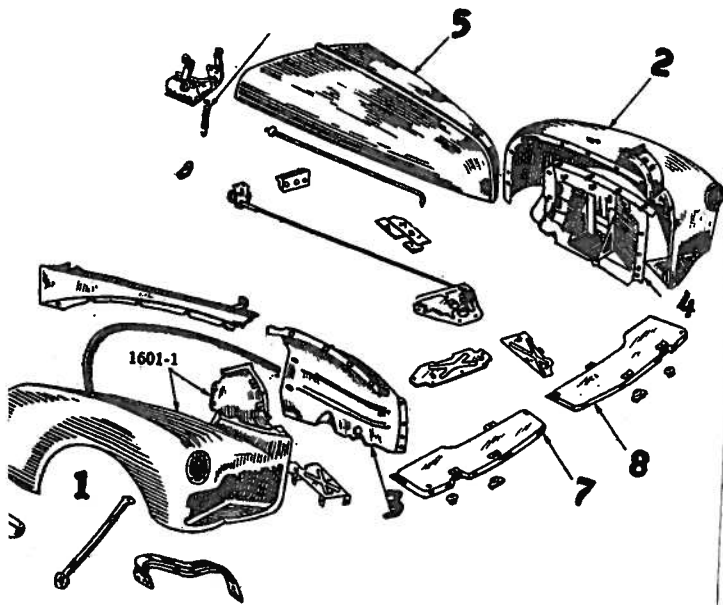
### GRILLES

Item Part No.	Description	Price
1	285340—Right	13.50
2	285341—Left	13.50
3	284052—Midg., R.	6.00
4	284053—Midg., L.	6.00
5	284058—Midg., center	1.60

### WINDSHIELD, ALL

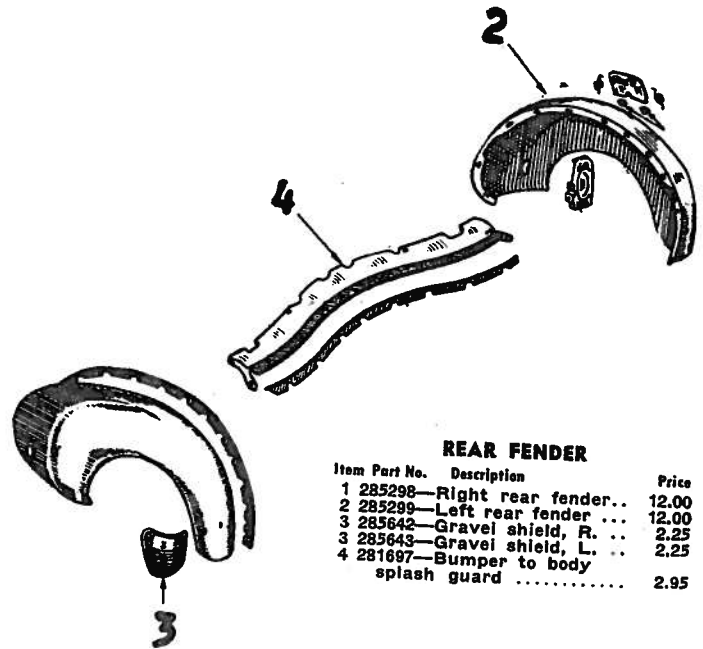
Not illustrated

Item Part No.	Description	Price	Item Part No.	Description	Price
1	274190—Glass	P.O.A.	5	283171—Center bar outer molding	.80
2	282881—Glass weatherstrip	3.65	6	282899—Center bar inner molding	.55
3	281906—Molding, R., outer	1.45	7	274195—Center bar inner w/strip	.20
4	281907—Molding, L., outer	1.45			
4	274192—Center bar	.75			



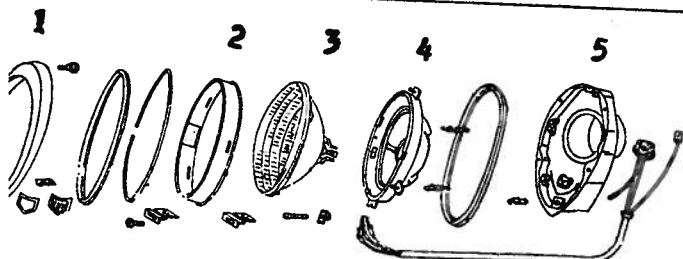
### FRONT FENDER HOOD

Item Part No.	Description	Price	Item Part No.	Description	Price
5130	Right front fender	30.00	6	274243—Hood side panel, L.	4.00
5131	Left front fender	30.00	7	281398—Bumper to fender splash guard, R.	2.25
1550	Fender apron, R.	3.25	8	281399—Bumper to fender splash guard, L.	2.25
1577	Fender apron, L.	4.75			
1119	Hood, stripped	27.50			
1242	Hood side panel, R.	4.00			



### REAR FENDER

Item Part No.	Description	Price
1	285298—Right rear fender	12.00
2	285299—Left rear fender	12.00
3	285642—Gravel shield, R.	2.25
3	285643—Gravel shield, L.	2.25
4	281687—Bumper to body splash guard	2.95

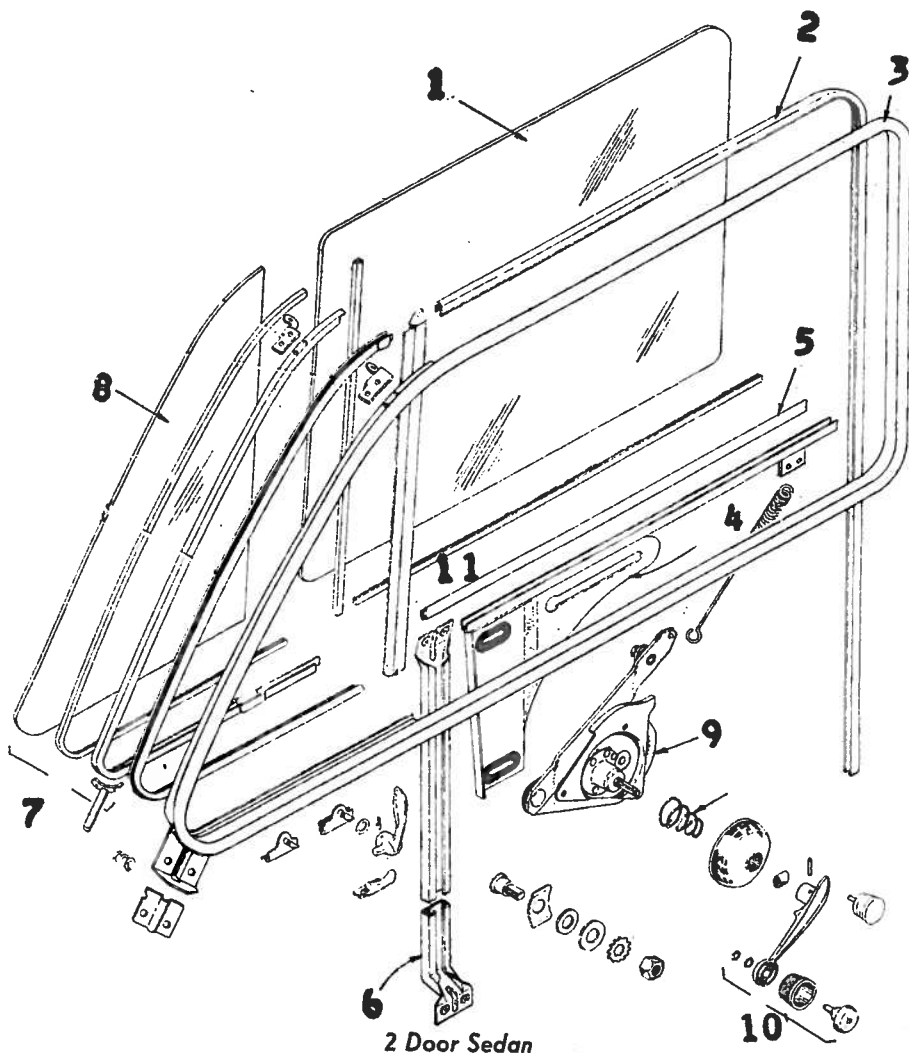


### HEADLAMP

Item Part No.	Description	Price
282249	Assy.	11.25
1	281901—Door	2.75
2	274279—Sealed beam ret.	1.00
3	272586—Sealed beam unit	1.30
4	274275—Sealed beam base	1.35
5	276543—Headlamp body	3.25

# STUDEBAKER 1946 BODY PARTS

Model 5G Champion. ALL BODY STYLES

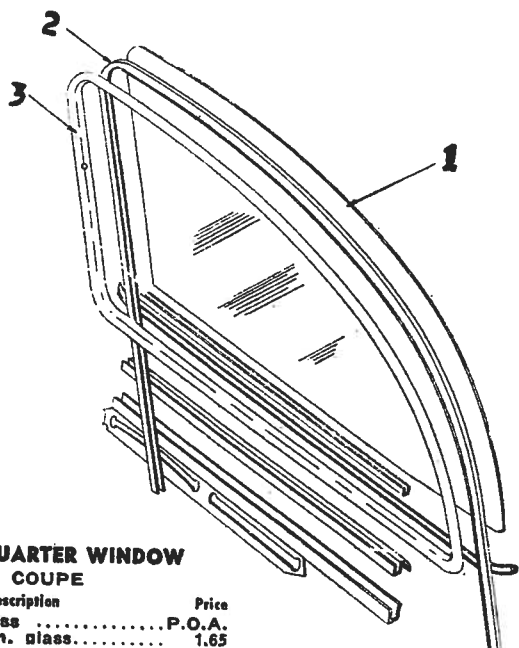


2 Door Sedan

## WINDOW AND REGULATOR ASSEMBLY

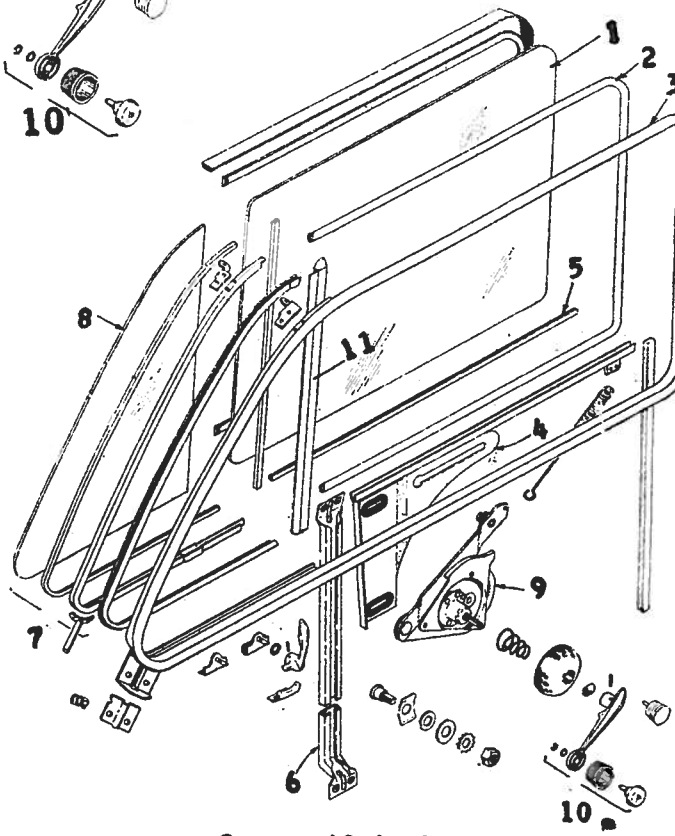
2 DOOR AND COUPE

Item	Part No.	Description	Price
1	284888	Glass	P.O.A.
2	285610	Retainer shim	.03
3	288995X1	Midg, L., garnish	7.75
4	284925	Lift channel	1.55
5	1835X20	Wthstp., low., 3/4"	....
6	274437G	Guide	.85
7	288197	Vent, L., black	5.60
7	285779	Vent., L., chrome	6.45
8	284579	Vent. glass	P.O.A.
9	284843	Regitr., L.	2.65
10	284712	Handle, tenite knob	1.25
10	288239W	Handle, chrome	1.45
11	284583	Channel, L., div....	1.90



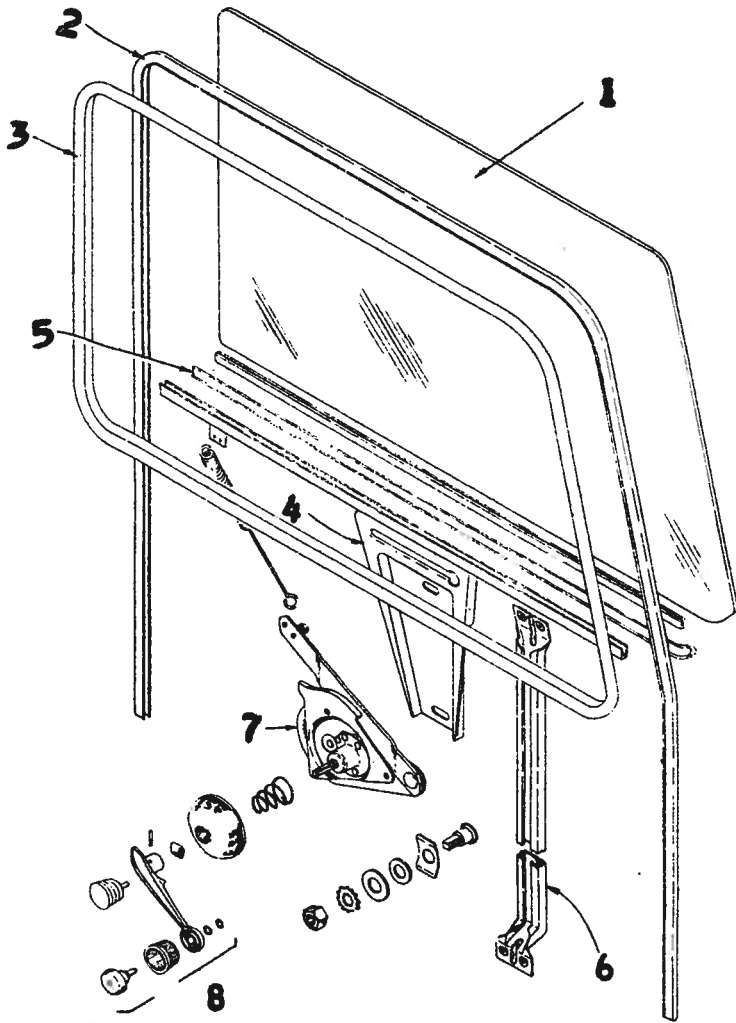
## REAR QUARTER WINDOW COUPE

Item	Part No.	Description	Price
1	274711	Glass	P.O.A.
2	285638	Run. glass	1.65



# STUDEBAKER 1946 BODY PARTS

Model 5G Champion. ALL BODY STYLES



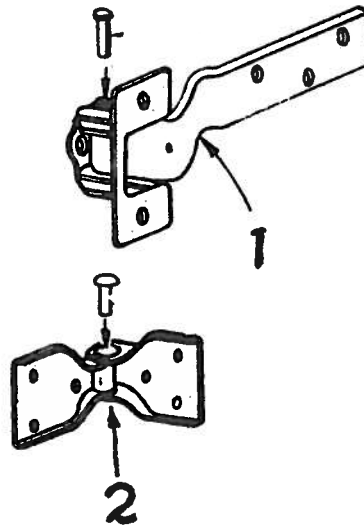
### 4 DOOR—REAR

Item Part No.	Description	Price
1	280927—Glass	P.O.A.
2	1706XA70—Glass run	1.35
3	278762—Garnish mldg., R.	4.75
3	278763—Garnish mldg., L.	4.75
4	282586—Glass lift chan., R.	.85
4	282587—Glass lift chan., L.	.85
5	275904—Weather seal, R., in.	.40
5	275905—Weather seal, L., in.	.40
5	275905—Weather seal, R., out.	.40
5	275904—Weather seal, L., out.	.40
6	274437—Guide	.85
7	282124—Window regltr., R.	1.45
7	282125—Window regltr., L.	1.45
8	278941—Regltr. handle	1.00

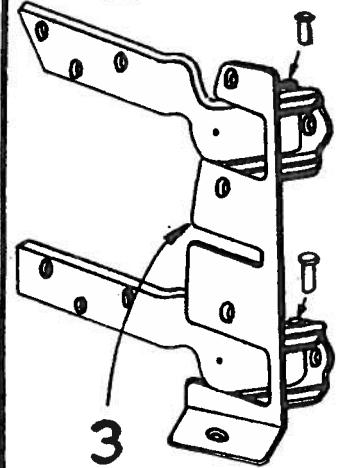
### DOOR LOCKS

Item Part No.	Description	Price	Item Part No.	Description	Price
1	265164—Right & right front door lock	3.00	3	281903—Left & left front outside handle	1.95
1	265167—Left & left front door lock	3.00	3	281903—Right rear outside handle	1.95
1	265167—Right rear door lock, 4 dr.	3.00	3	281902—Left rear outside handle	1.95
1	265166—Left rear door lock, 4 dr.	3.00	4	271201—Lock cyl. & keys	1.25
2	265129—Right & right front lock striker	.55	5	271959—Inside handle	.85
2	265130—Left & left front lock striker	.55	6	276872—Right & right front remote control	.65
2	265130—Right rear lock striker, 4 dr.	.55	6	276873—Left & left front remote control	.65
2	265129—Left rear lock striker, 4 dr.	.55	6	276873—Right rear remote control	.65
3	281902—Right & right front outside handle	1.95	6	276872—Left rear remote control	.65

### FRONT



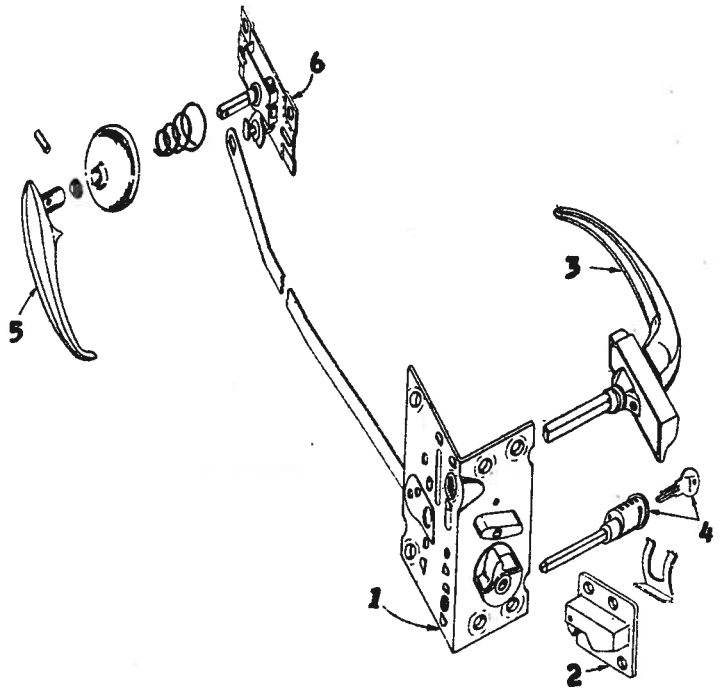
### REAR



### DOOR HINGES

#### ALL BODY STYLES

Item Part No.	Description	Price
1	274912—Right door & right front hinge, up.	1.75
1	652331—Left door & left front hinge, up.	1.75
2	274462—Right door & right front hinge, low.	.90
2	274463—Left door & left front hinge, low.	.90
3	274914—Right rear door hinge, 4 dr.	3.50
3	274915—Left rear door hinge, 4 dr.	3.50

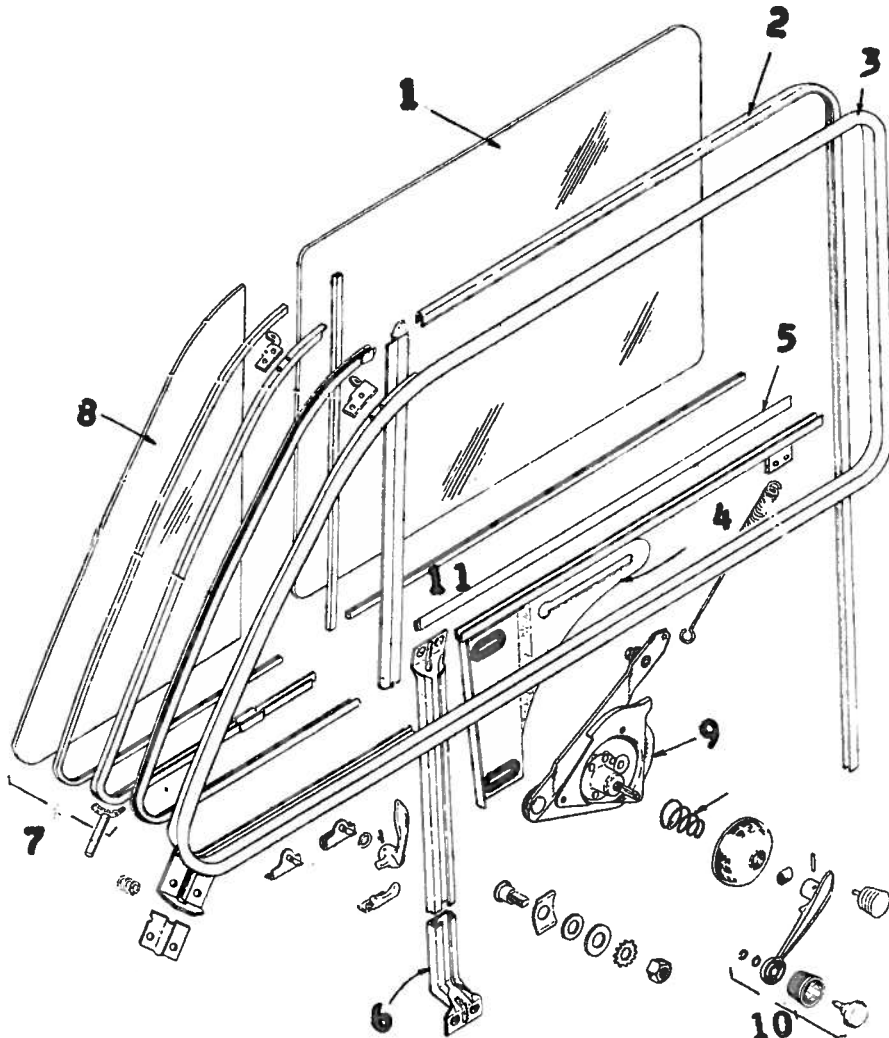
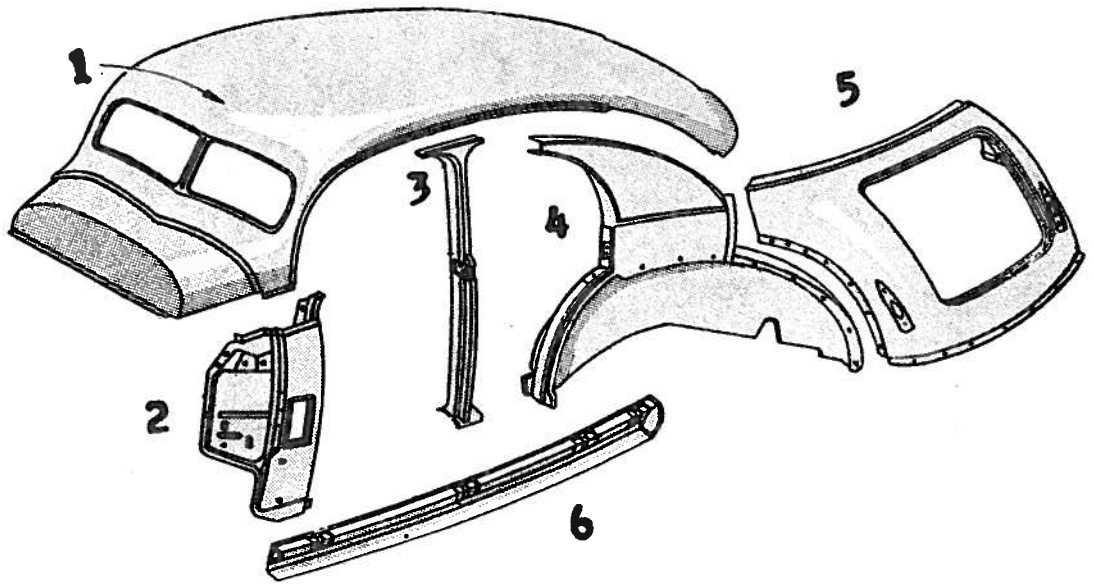


# BODY PARTS 1946 STUDEBAKER

## Model 5G Champion. ALL BODY STYLES

### BODY SHEET METAL 4 DOOR SEDANS

Part No.	Description	Price
281422	Roof panel	65.70
607880	Cowl panel, R.	10.10
607881	Cowl panel, L.	10.10
274725	Center pillar	7.75
281424	Rear qtr. panel, R.	26.00
281425	Rear qtr. panel, L.	26.00
608267	Lower back panel	20.85
280860	Sill panel, R.	4.75
280861	Sill panel, L.	4.75



### DOOR WINDOWS 4 DOOR FRONT

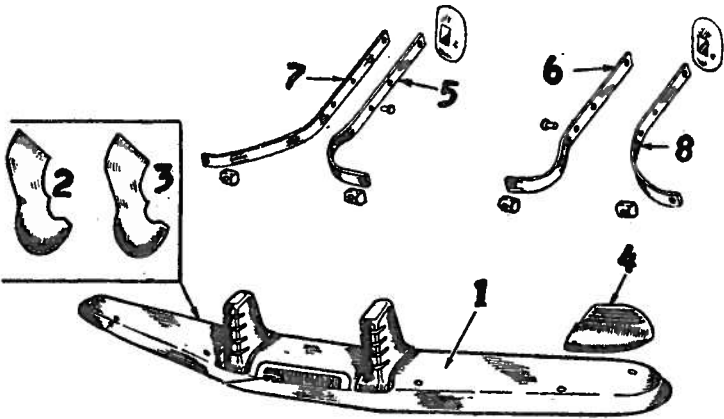
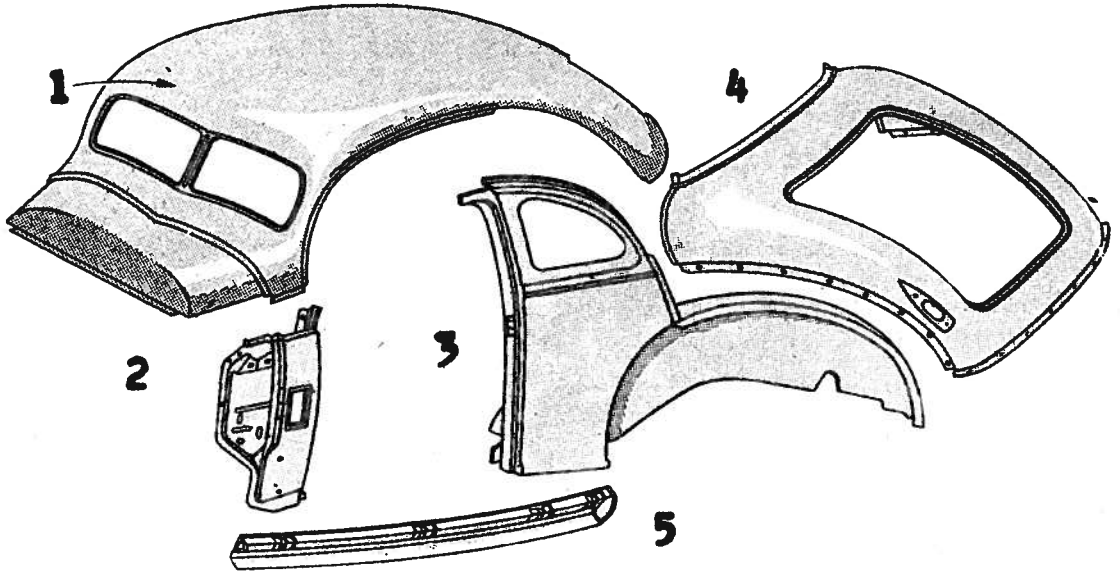
Item	Part No.	Description	Price
1	274435	Door glass	P.O.A.
2	1706XA46	Glass run, up.	.85
3	280710	Garnish midg., R.	5.50
3	280711	Garnish midg., L.	5.50
4	282580	Glass lift chan., R.	.85
4	282581	Glass lift chan., L.	.85
5	275901	Weather seal, R., in.	.30
5	275900	Weather seal, L., in.	.30
5	275901	Weather seal, R., out.	.30
5	275901	Weather seal, L., out.	.30
6	274437	Window guide	.85
7	278922	Vent. & glass, R.	5.30
7	278923	Vent. & glass, L.	5.30
8	278779	Vent. glass	P.O.A.
9	281096	Window regitr., R.	1.45
9	281097	Window regitr., L.	1.45
10	278941	Regitr. handle	1.00
11	274520	Glass div. chan., R.	2.05
11	274521	Glass div. chan., L.	2.05

# BODY PARTS 1946 STUDEBAKER

## Model 5G Champion. ALL BODY STYLES

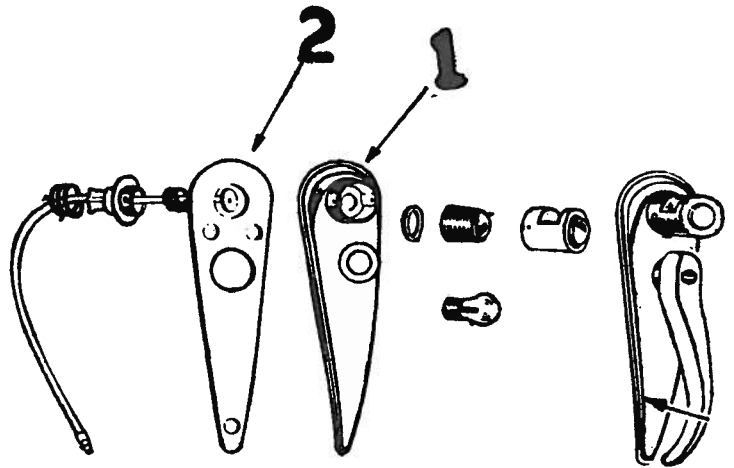
### BODY SHEET METAL COUPE

Part No.	Description	Price
281430	Roof panel	62.50
607980	Cowl panel, R.	10.10
607981	Cowl panel, L.	10.10
281428	Rear qtr. panel, R.	31.00
281429	Rear qtr. panel, L.	31.50
281869	Lower back panel	27.95
280864	Sill panel, R.	4.75
280865	Sill panel, L.	4.75



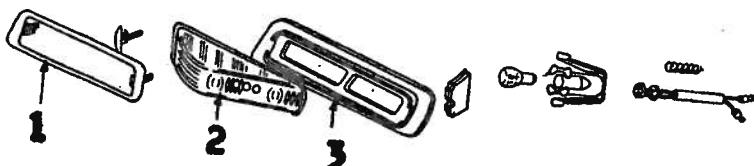
### REAR BUMPER

Item	Part No.	Description	Price
1	514661	Face bar	17.50
2	519039	Vert. bumper, R.	5.00
3	519040	Vert. bumper, L.	5.00
4	514849	Wing guard, R.	3.50
4	514848	Wing guard, L.	3.50
5	514768	Brkt., R., in.	1.10
6	514769	Brkt., L., in.	1.10
7	514770	Brkt., R., out.	1.10
8	514771	Brkt., L., out.	1.10



### LICENSE PLATE LAMP

Item	Part No.	Description	Price
	274978	Assy.	6.25
1	274569	Base	1.05
2	271213	Pad	.10



### TAIL & STOP LIGHTS

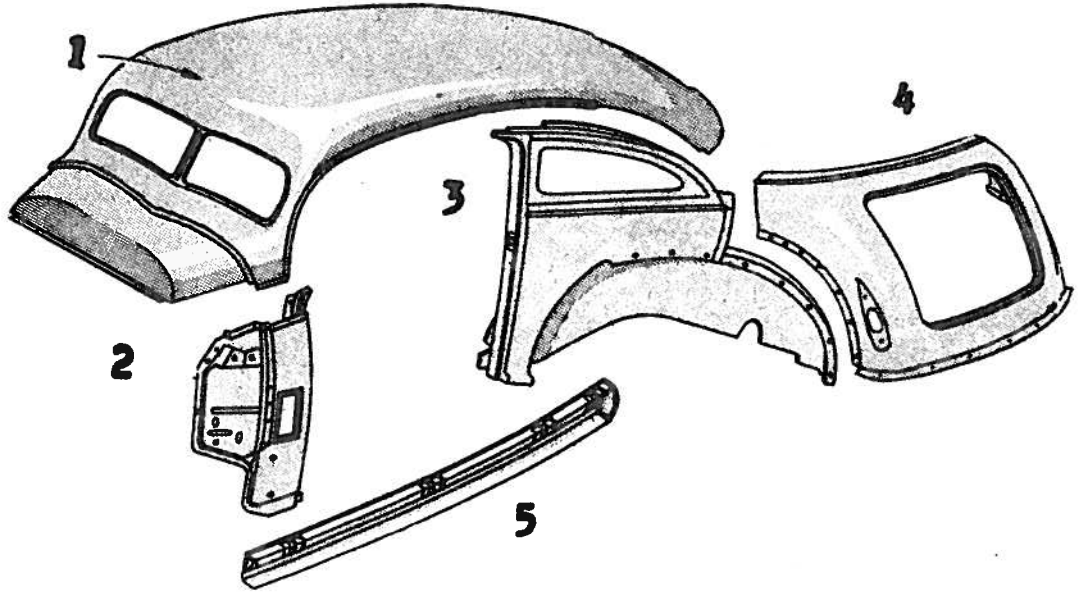
Item	Part No.	Description	Price
1	283386	Tail lamp door, R.	1.50
1	283387	Tail lamp door, L.	1.50
2	282172	Tail lamp lens, R.	.95
2	282173	Tail lamp lens, L.	.95
3	282174	Lens gskt., R., sed.	.40
3	282175	Lens gskt., L., sed.	.40
3	282282	Lens gskt., R., cpe.	.45
3	282283	Lens gskt., L., cpe.	.45

# BODY PARTS 1946 STUDEBAKER

## Model 5G Champion. ALL BODY STYLES

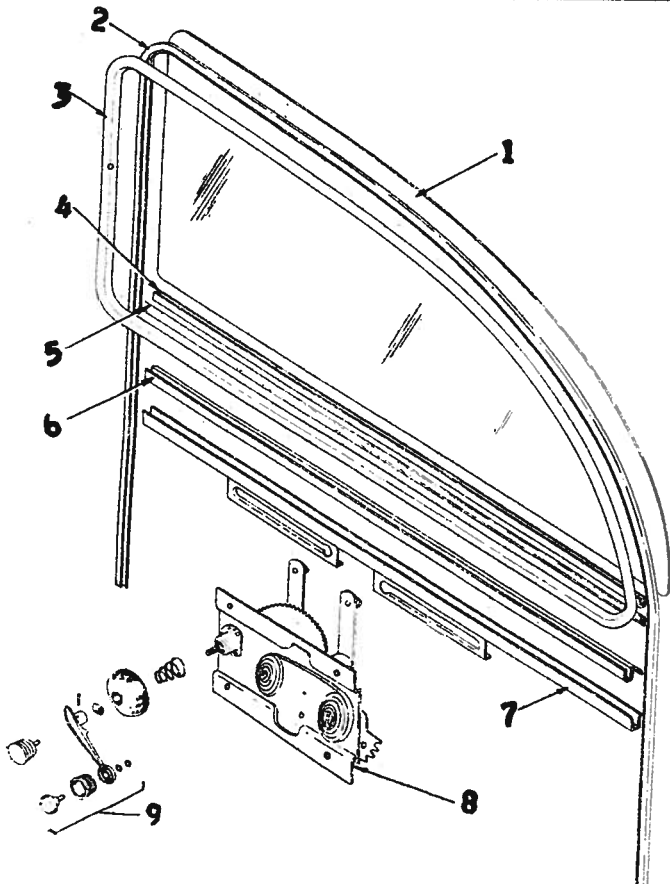
### BODY SHEET METAL 2 DOOR SEDANS

Item Part No.	Description	Price
281423	Roof panel	65.00
607980	Cowl panel, R.	10.10
607981	Cowl panel, L.	10.10
281426	Rear qtr. panel, R.	30.00
281427	Rear qtr. panel, L.	30.00
608287	Lower back panel	20.85
280862	Sill panel, R.	4.75
280863	Sill panel, L.	4.75



### BODY OUTSIDE MOLDINGS ALL BODY STYLES

Item Part No.	Description	Price	Item Part No.	Description	Price	Item Part No.	Description	Price	Item Part No.	Description	Price
281906	Windshld. reveal, R.	1.45	3 281927	L. dr., up. reveal, 2 dr. sed.	1.15	4 281928	R. dr., low. reveal, 2 dr. sed.	1.00	7 281942	R.R. qtr., up. reveal, cpe.	.75
281907	Windshld. reveal, L.	1.45	3 281930	R. dr., up. reveal, cpe.	1.15	4 281929	L. dr., low. reveal, 2 dr. sed.	1.00	7 281943	L.R. qtr., up. reveal, cpe.	.75
283171	Windshld., center	.80	3 281931	L. dr., up. reveal, cpe.	1.15	4 281932	R. dr., low. reveal, cpe.	1.00	8 281936	R.R. qtr., low. reveal, 4 dr.	.60
280644	R.F. dr., up. reveal, 4 dr.	1.10	4 280646	R.F. dr., low. reveal, 4 dr.	.80	4 281933	L. dr., low. reveal, cpe.	1.00	8 281937	L.R. qtr., low. reveal, 4 dr.	.60
280645	L.F. dr., up. reveal, 4 dr.	1.10	4 280647	L.F. dr., low. reveal, 4 dr.	.80	5 281604	R.R. dr., up. reveal, 4 dr.	.70	8 281940	R.R. qtr., low. reveal, 2 dr. sed.	.95
281926	R. dr., up. reveal, 2 dr. sed.	1.15				5 281605	L.R. dr., up. reveal, 4 dr.	.70	8 281941	L.R. qtr., low. reveal, 2 dr. sed.	.95
						6 281606	R.R. dr., low. reveal, 4 dr.	.75	8 281944	R.R. qtr., low. reveal, cpe.	.60
						6 281607	L.R. dr., low. reveal, 4 dr.	.75	8 281945	L.R. qtr., low. reveal, cpe.	.60
						7 281934	R.R. qtr., up. reveal, 4 dr.	.75	9 281908	Back window, ALL	1.95
						7 281935	L.R. qtr., up. reveal, 4 dr.	.75	10 285066	Sill panel, R., 4 dr.	5.55
						7 281938	R.R. qtr., up. reveal, 2 dr. sed.	1.15	10 285067	Sill panel, L., 4 dr.	5.55
						7 281939	L.R. qtr., up. reveal, 2 dr. sed.	1.15	10 285070	Sill panel, R., 2 dr. sed.	5.55
									10 285071	Sill panel, L., 2 dr. sed.	5.55
									10 285074	Sill panel, R., cpe.	5.55
									10 285075	Sill panel, L., cpe.	5.55



### REAR QUARTER WINDOW 2 DOOR SEDAN

Item Part No.	Description	Price
1 274670	Glass	P.O.A.
2 1706XA75	Run	1.45
3 278999	Garnish midg., L.	4.15
4 782XE35	Glass cushion	.20
5 278988	Weatherseal	.45
6 1647X35	Glass W/strip	.30
7 274459	Lift channel, L.	.85
8 283379	Regulator, L., glass	2.05
9 278941	Handle, regulator	1.00

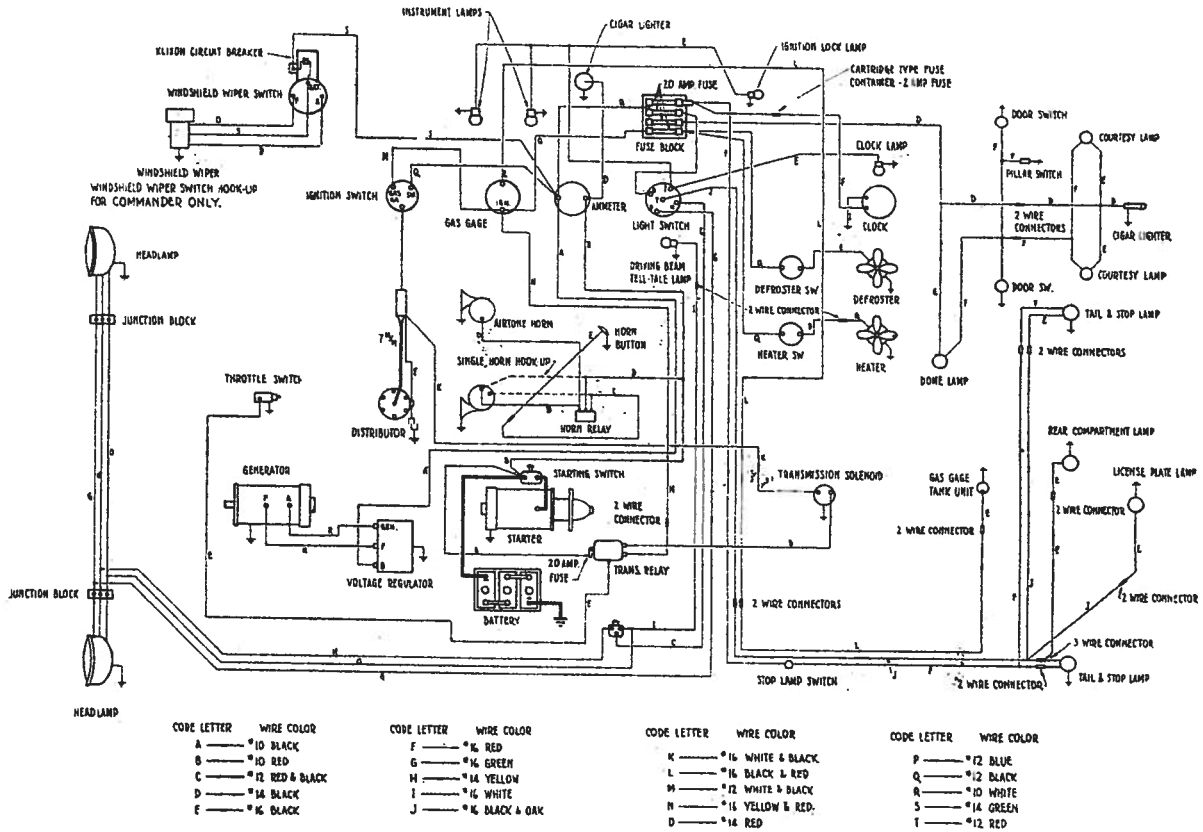
### TRUNK LID

Not illustrated

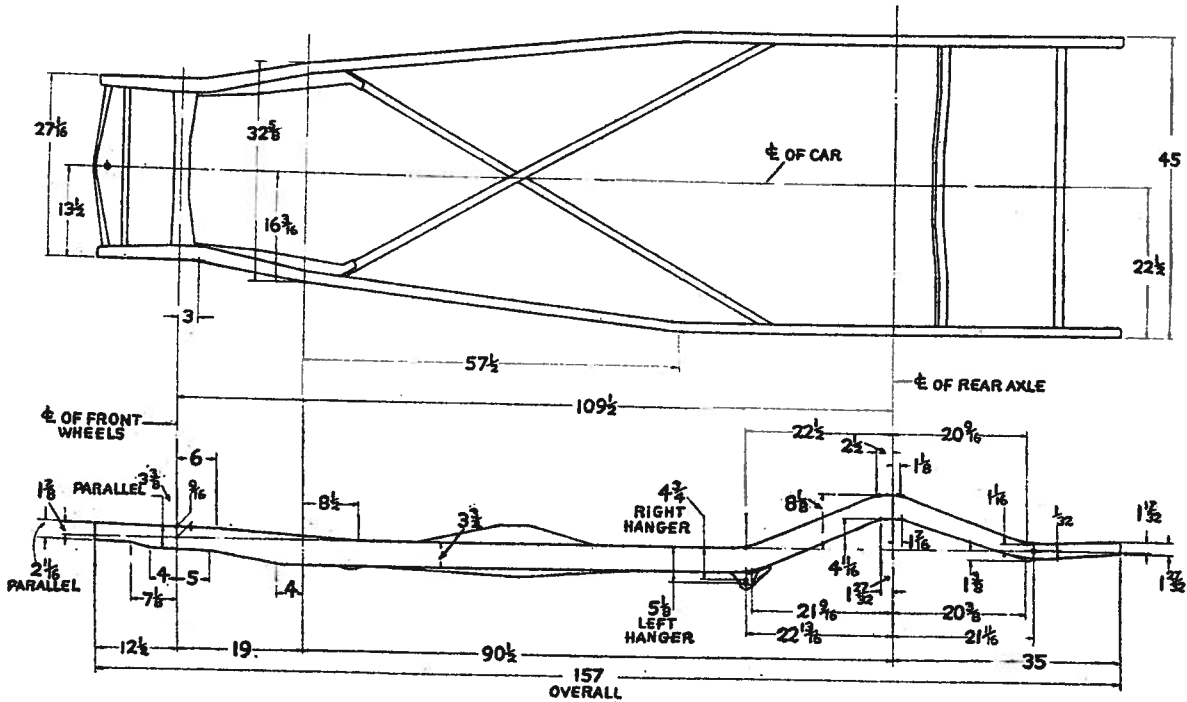
Item Part No.	Description	Price
1 282333	Lid, except coupe	27.50
1 282334	Lid, coupe	33.25
2 274292	Lid hinge	3.00
3 274591	Lid lock	1.35
4 271894	Lock striker	.25
5 278312	Lock handle & cylinder & key	4.35

# STUDEBAKER 1946 WIRING and FRAME

## Model 5G Champion. ALL BODY STYLES



Wiring Diagram—Champion Models



Model 5G Champion. ALL BODY STYLES

Job No.	Chilton Labor Price	Job No.	Chilton Labor Price	Job No.	Chilton Labor Price	Job No.	Chilton Labor Price	Job No.	Chilton Labor Price	Job No.	Chilton Labor Price	Job No.	Chilton Labor Price	Job No.	Chilton Labor Price	Job No.	Chilton Labor Price		
<b>A</b>		<b>A—continued</b>		<b>B</b>		<b>B—continued</b>		<b>C—continued</b>		<b>D—continued</b>		<b>E—continued</b>		<b>E—continued</b>		<b>F—continued</b>		<b>G</b>	
1a	3.00	7	2.00	1	3.25	13	2.00	8	3.00	2	1.50	3	15.00	13	12.25	2	12.25	1	85.00
2	2.25	8	2.00	1a	4.00	14	2.00	9	1.50	3	1.50	4	15.00	3	15.50	2	26.00	2	26.00
3	2.75	9	4.25	2	12.25	15	1.00	10	9.50	4	9.50	5	10.00	4	1.25	3	17.00	3	17.00
4	12.00	10	15.00	3	15.00			11	2.50	6	10.50	6	8.00	5	4.00	4	8.00	4	8.00
4a		11	3.00	4	1.00			12		7	10.50	7	10.50	6	2.00	5	10.50	5	10.50
4b		12	5.00	5	4.00			13		7x		7x		7	2.00	6	2.00	6	2.00
4c	3.50	13	2.50	6	2.00	<b>C</b>		14	2.00	19	8.00	8		18	10.00	7	2.00	7	2.00
5	8.00	14		7	2.00	1	3.25	15	1.00	20	3.75	8		19	8.00	8	3.25	8	3.25
5a	3.00	15	1.00	8	3.00	1a	4.00					9	45.00	9		9	45.00	9	45.00
5b	6.50	16		9		2	10.25					8x	43.00	10		10	28.00	10	28.00
5c	2.00	17	1.75	10		3	16.00					9y	40.00	11	1.50	11		11	
5d	7.50	18	7.50	11	2.50	4	1.00	<b>D</b>				10	28.00	12		12		12	
6	20.00	20	4.00	12		5	4.00	1	3.00	<b>E</b>		11		13		13		13	
		20x	7.00			6	2.00	1a	2.25	1	95.00	1a		1a	3.00	14	2.00	14	2.00
						7				2	26.00	2			4.00				

STEERING GEOMETRY

CASTER: 1 to 2 degree positive.

CAMBER: 1/2 degree positive.

TOE-IN: 1/16 to 1/8 inches.

KING PIN INCLINATION: 5 1/2 degrees.

ADJUSTMENT

CASTER AND CAMBER is controlled by means of shims back of upper control arm inner bracket. Adding shims to the rear bracket will decrease caster. Camber may be reduced by adding shims back of both front and rear bracket.

NOTE: Adding shims behind the rear bracket to decrease caster will also tend to decrease camber. This may be overcome by removing shims from the front bracket when adjusting caster only.

