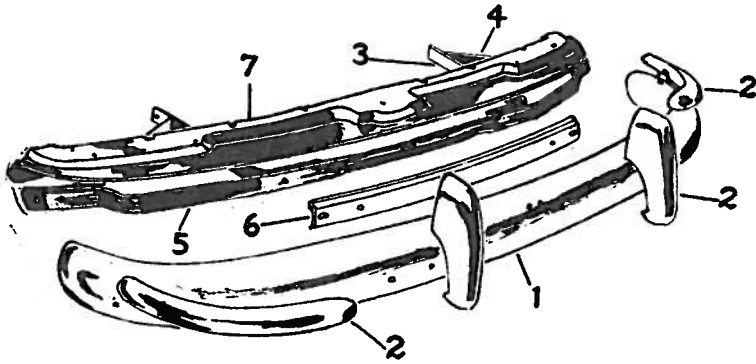


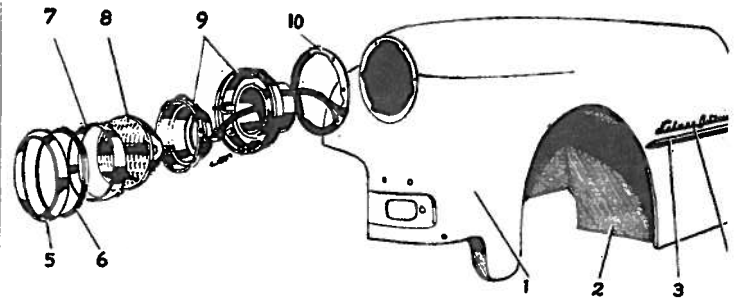
PONTIAC STREAMLINER 1949 BODY PARTS

Models 25 and 27. ALL BODY STYLES



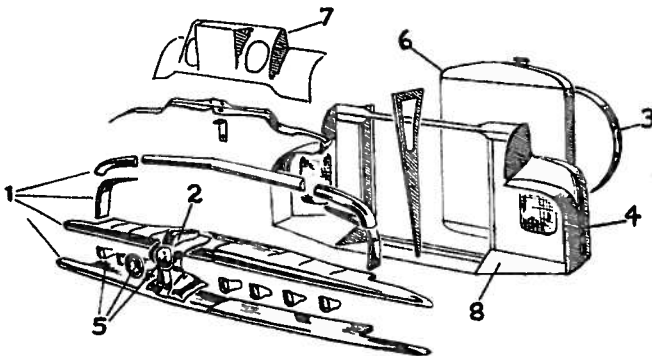
FRONT BUMPER, LEFT SIDE

Item Part No.	Description	Price	Item Part No.	Description	Price
1	511756—Bar	24.50	4	512405—Back bar, out.	2.50
2	511804—Guard, in.	4.60	5	511810—Bumper supt.	5.00
2	511950—Guard, out.	4.60	6	511809—Bar reinfor.	.85
3	512403—Back bar, in.	2.50	7	511758—Apron	5.60



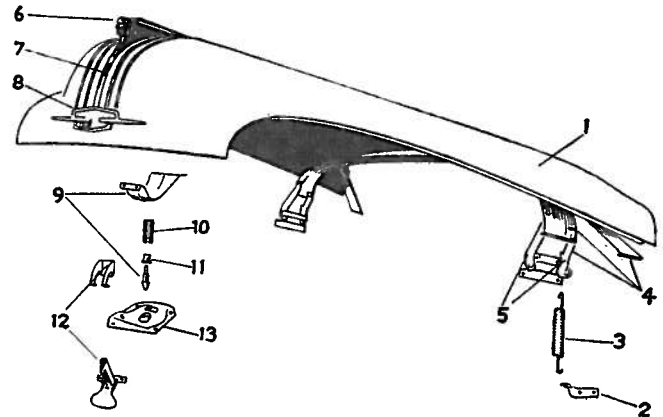
FRONT FENDERS, LEFT SIDE

Item Part No.	Description	Price	Item Part No.	Description	Price
1	511456—Fender	32.00	5	511850—27 dlx.	1.63
1	511879—Fender, dlx.	32.00	5	5937949—Headlamp door	3.50
2	511851—Skirt	6.25	6	914127—Seal retainer	.05
3	511648—Molding, side, dlx.	1.25	7	924534—Molding, inner, trim	1.10
4	Ornament.		8	925000—Sealed beam unit.	1.25
	510559—25 exc. dlx.	1.75	9	5937072—Lamp body	3.30
	510560—27 exc. dlx.	2.00	10	509478—Gasket	.17
	511649—25 dlx.	1.45			



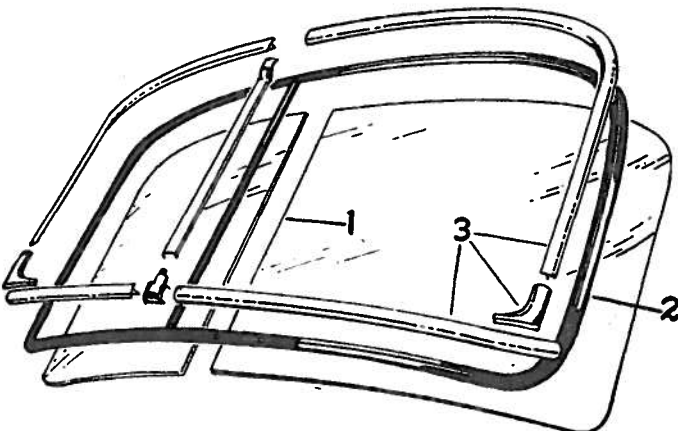
GRILLE, LEFT SIDE

Item Part No.	Description	Price	Item Part No.	Description	Price
1	Grille Assembly.		3	511307—Shroud, rad. to fan, 27	1.50
	511260—Up, outer bar.	2.60	4	511761—Baffle, rad. sup.	2.15
	511994—Up, center bar.	5.25	5	Radiator Emblem Assembly.	
	512151—Center blade	11.50		512099—Plate	1.90
	512161—Lower blade	9.25		512164—Ornament	8.50
	512157—Verticals, 4 used	1.75	6	3121988—Core, rad., 25	.03
2	Retainer, Rad. Grille.		6	3121989—Core, rad., 27	60.00
	512100—Ctr. bar to ornament	.06	7	511879—Brace, low. hd. pl. to rad. sup.	73.00
	512088—End, up. outer	1.35	8	511866—Apron, rad. cross member	2.05
3	511378—Shroud, rad. to fan, 25	2.00			.70



HOOD, LEFT SIDE

Item Part No.	Description	Price	Item Part No.	Description	Price
1	511358—Panel, up.	14.80	7	511493—Grille, hood	10.95
2	511633—Bracket, hinge spg.	.50	8	511667—Emblem, hood	2.25
3	512700—Spring	1.35	9	511916—Pilot, bkt. assy.	.6E
4	511616—Hinge w/reinf.	10.30	10	506572—Spring	.0E
5	511622—Link, frt.	.45	11	506573—Retainer	.0E
5	511624—Link, rear	.45	12	511787—Hook assy.	.7E
	503865—Bumper, fender	.08	13	511905—Plate assy., low	1.2E
	511961—Bumper, cap. frt.	.05		4562181—Weatherstrip, cowl ledge	1.25
6	511506—Ornament	6.75			



WINDSHIELD ASSEMBLY, LEFT SIDE

4-DOOR—W/O ¼ PL. WIND.

Item Part No.	Description	Price
1	4561513—Glass	19.00
	4568472—Escutcheon, up.	.23
	4568471—Escutcheon, low.	.23
	4562770—Mold., garnish	2.65
	4568115—Mold., W/S div., in.	.80
	513066—Mirror, R. view	1.75
	4170772—Sunshade, 2508	3.50
	4170773—Sunshade, 2508D	3.75
2	4113902—Support	1.25
2	4564078—Channel, W/S glass	4.60
3	Molding, Windshield Reveal.	
	4560916—Upper	2.50
	4562379—Lower	1.95
	4560943—Lower corner	.90
	4562246—Division	.85
	4575454—Clip	.10

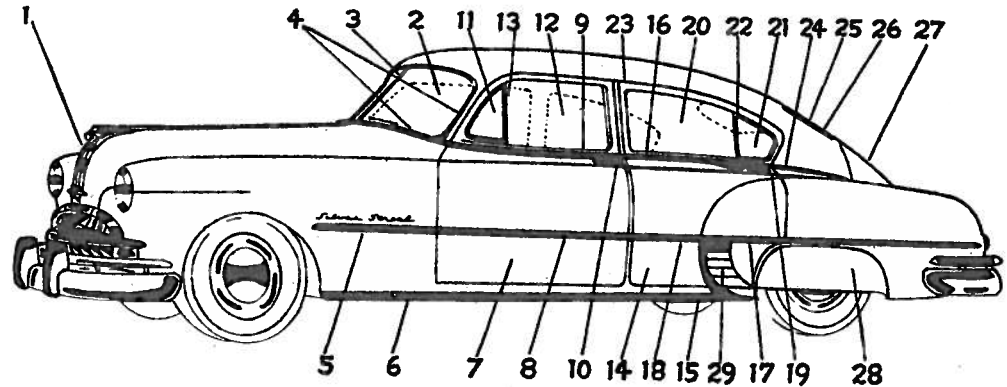
BODY PARTS 1949 STREAMLINER PONTIAC

Models 25 and 27. ALL BODY STYLES

CAR BODY CHROME & TRIM MOLDINGS, LEFT SIDE

4-DOOR—W/O ¼ PL. WDW.

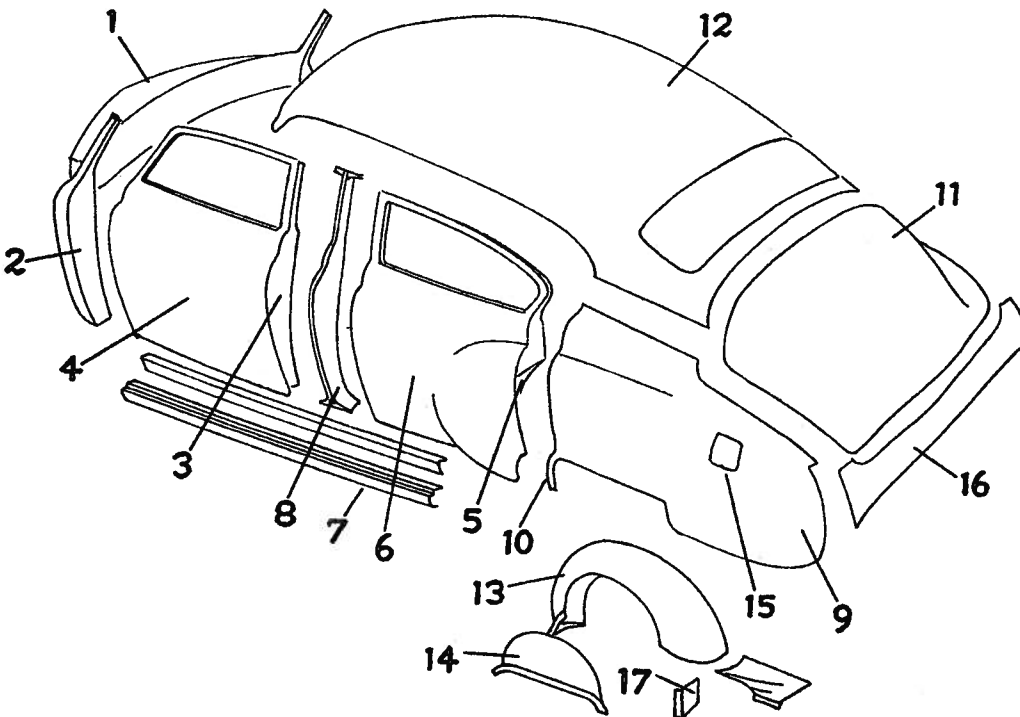
Item Part No.	Description	Price
1 511493	Molding, hood grille	10.95
2 4561513	Glass, W/S	19.00
3 4562246	Molding, W/S div.	.85
4	Molding, W/S Reveal.	
4560916	Upper	2.50
4562379	Lower	1.85
4560943	Lower corner	.90
5 511648	Molding, frt. fdr. side, 2508D	1.25
6 511525	Molding, rock. pl. frt.	4.25
7 4568751	Front door	39.25
8 4561601	Molding, frt. dr. low, 2508D	2.15
9 4561290	Molding, frt. dr. belt	1.85
10 4568323	Handle assy., frt. dr.	No Price
11 4560574	Vent. glass, frt. dr.	3.50
12 4560558	Glass, frt. dr.	8.25
13 4568925	Mold., glass div. channel	3.15
14 4563319	Rear door	45.00
15 511525	Mold., Rck. pl. Rr.	4.25
16 4561338	Mold., Rr. dr. belt, 2508	1.75



Item Part No.	Description	Price
16 4562258	Mold., Rr. dr. belt, 2508D	4.75
17 4561994	Mold., Rr. dr. fndr., 2508D	1.85
18 4561992	Mold., Rr. dr., low 2508D	1.35
19 4568328	Handle, rear dr. No Price	
20 4560991	Glass, Rr. dr.	9.75
21 4560940	Vent. glass, Rr. dr.	2.45

Item Part No.	Description	Price
22 4561629	Mold., Rr. wdw. div. chnl.	3.15
23 4561190	Drip molding	1.75
24 4562912	Molding, Rr. quart. belt	1.85
24 4561942	Mold., R. quart. belt, fndr., 2508D	2.75
25 4569990	Glass, rear window	15.50

Item Part No.	Description	Price
26 4562138	Mold., Rr. wind. reveal	3.25
27 511812	Molding, Rr. lid	5.25
28 512460	Shield, Rr. fender panel	6.50
29 4561856	Shield, Rr. fender stone	6.00
29 4561988	Shield ext., Rr. fndr. stone	4.78



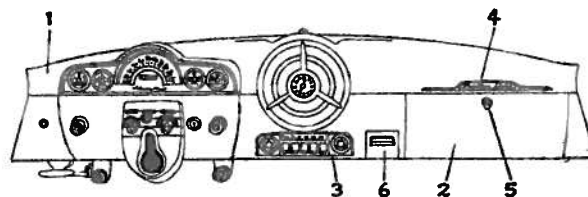
CAR BODY SHEET METAL, LEFT SIDE

4-DOOR—W/O ¼ PL. WDW.

Item Part No.	Description	Price
1 4561407	Cowl & dash assy.	101.75
2 4562037	Cowl side panel	6.75
3 4568751	Front door	39.25
4 4562870	Frt. door panel	14.00
5 4563319	Rear door	45.00
6 4562876	Rr. door panel	18.25
7 4169449	Rocker pl., out.	9.50
8 4581431	Center body pillar	15.75
9 4569961	Rear quar. side pl., out.	25.35
10 4562343	Panel, Rr. body lock pillar, out.	7.75
11 4569141	Deck lid	39.75
12 3692556	Roof panel	49.50
4561426	Rear quar. side pl. ext. in.	1.25
4564677	Rear quar. side pl. ext. out.	3.00
13 4559487	Panel, whl. house	16.25
14 4560045	Cover, access hole, W.H.	1.75
15 4562189	Door, fuel tk.	1.75
16 4561126	Panel, rear end	6.50
512460	Shield, Rr. fdr. panel	6.50
17 4562407	Deflector	1.05

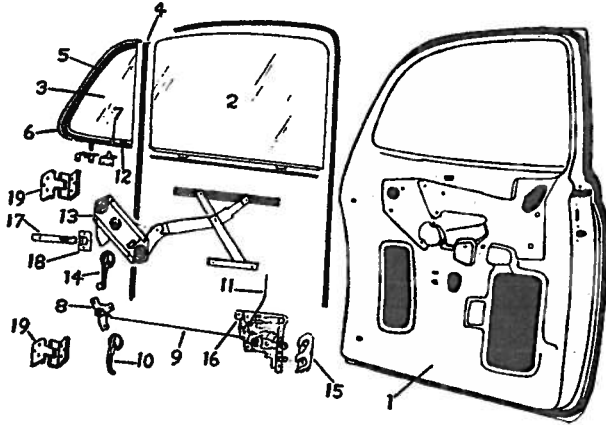
INSTRUMENT PANEL

Item Part No.	Description	Price
1 4563409	Panel	16.50
2 4570283	Door, compt.	5.25
3 511549	Plate, finish, w/o rad.	2.00
3 512400	Name panel, 25	1.00
3 512197	Name panel, 27	1.00
4 4099315	Knob, door	.65
5 511573	Panel, rad. grl.	4.60
6 511608	Panel, ash tray	1.75
512653	Panel, heat ctrl. assy.	3.75



PONTIAC STREAMLINER 1949 BODY PARTS

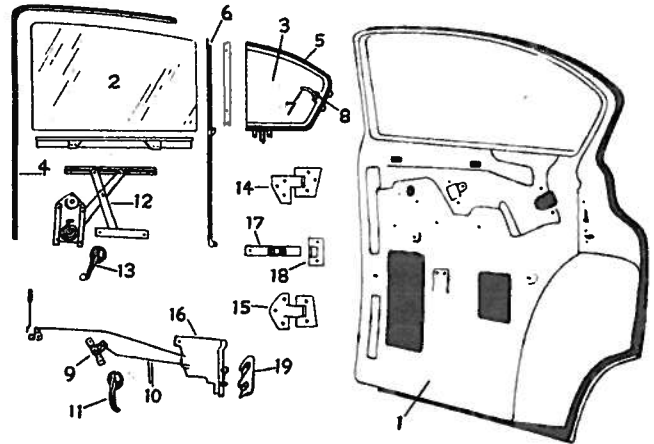
Models 25 and 27. ALL BODY STYLES



FRONT DOOR HARDWARE, LEFT SIDE

4-DOOR—W/O ¼ PL. WIND.

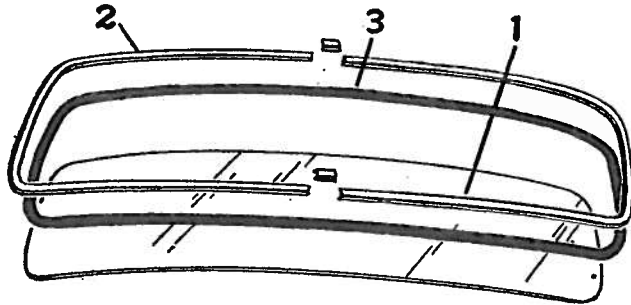
Item Part No.	Description	Price	Item Part No.	Description	Price
1 4568751	Door	39.25	4078002	Spring	.06
2 4560558	Glass	8.25	4113807	Lever, lock ctrl.	.06
3 4560574	Vent. glass	3.50	11 4560513	Rod, lock ctrl.	.12
4 4570101	Mold., garnish	9.75	12 4167989	Handle, lock ctrl.	.75
4 4568925	Channel, div.	3.15	13 4559559	Regul., vent. reg.	4.65
5 4168195	W/strip, vent.	1.25	14 4564414	Handle, wind. reg.	1.45
6 4167996	Chnl., vent. glass	4.65	15 4561310	Striker, dr.	1.05
7 4167990	Lock butn., vent.	.15	16 4580815	Lock Assy.	4.25
8 4562602	Remote ctrl., lock	.85	17 4559989	Check link	.40
9 4562597	Link, ctrl.	.12	18 4581013	Support, link	.65
10 4564256	Handle, lock	1.25	19 4559290	Hinge, up. & low.	2.15
4565043	Escutcheon	.05			



REAR DOOR HARDWARE, LEFT SIDE

4-DOOR—W/O ¼ PL. WIND.

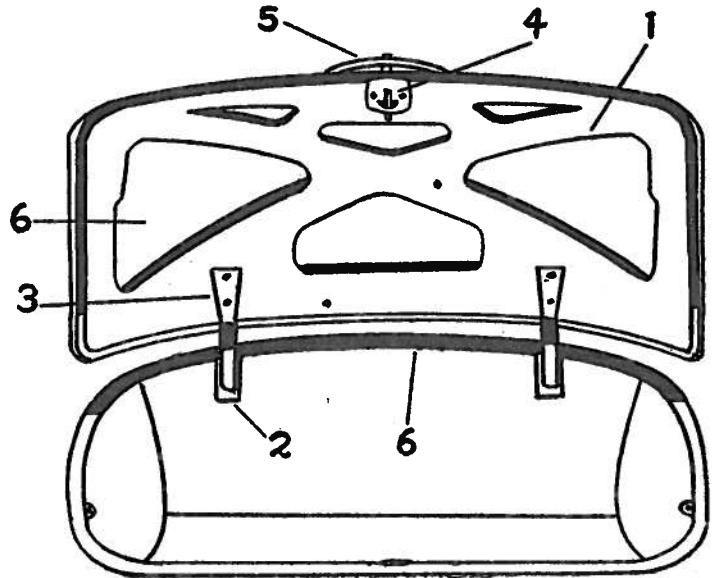
Item Part No.	Description	Price	Item Part No.	Description	Price
1 4563319	Door	45.00	11 4564256	Handle, lock	1.25
2 4560991	Glass	9.75	4565043	Escutcheon	.05
3 4560940	Vent. glass	3.25	4078002	Spring	.06
4 4075477	Channel, run	1.95	12 4581641	Regul., wind.	3.95
4 4570113	Mold., garnish	9.75	13 4564414	Handle, wind. reg.	1.45
5 4168199	W/strip, vent.	1.25	14 4113807	Lever, in. lock ctrl.	.12
6 4561629	Channel, div.	3.50	14 4559412	Hinge Assy., up.	2.50
7 4167989	Deflector, air	1.50	15 4559315	Hinge Assy., low.	2.50
8 4167990	Handle, vent. reg.	.75	16 4560817	Lock Assy.	4.50
9 4562602	Remote ctrl., lock	.85	17 4561140	Check link	.40
10 4562595	Link, con.	.12	18 4561013	Support, link	.65
			19 4561310	Striker, door	1.05



REAR WINDOW

4-DOOR—W/O ¼ PL. WIND.

1 4559990	Glass	15.50
2 4562138	Molding, reveal	3.25
3 4564358	Channel, glass	3.50

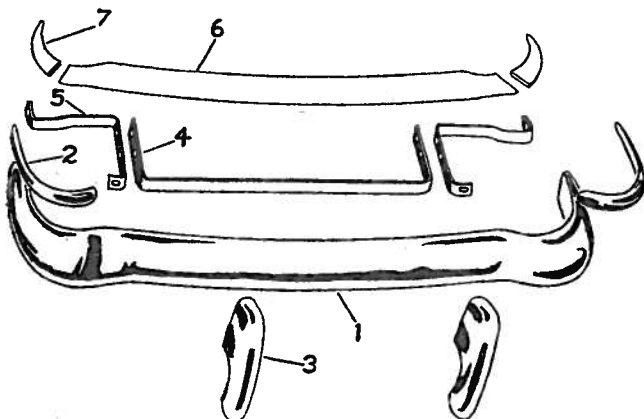


REAR DECK LID, LEFT SIDE
ALL MODELS

Item Part No.	Description	Price	Item Part No.	Description	Price
1 4559141	Deck lid	39.75	5 4561934	Handle, lock	8.75
2 4167935	Hinge Assy.	1.75	4167908	Housing, lock	2.25
3 4167936	Hinge strap	2.85	6 4573804	W/strip, gutter	2.95
4 4560686	Deck lock	2.75	6 4573809	W/strip, lid	3.00

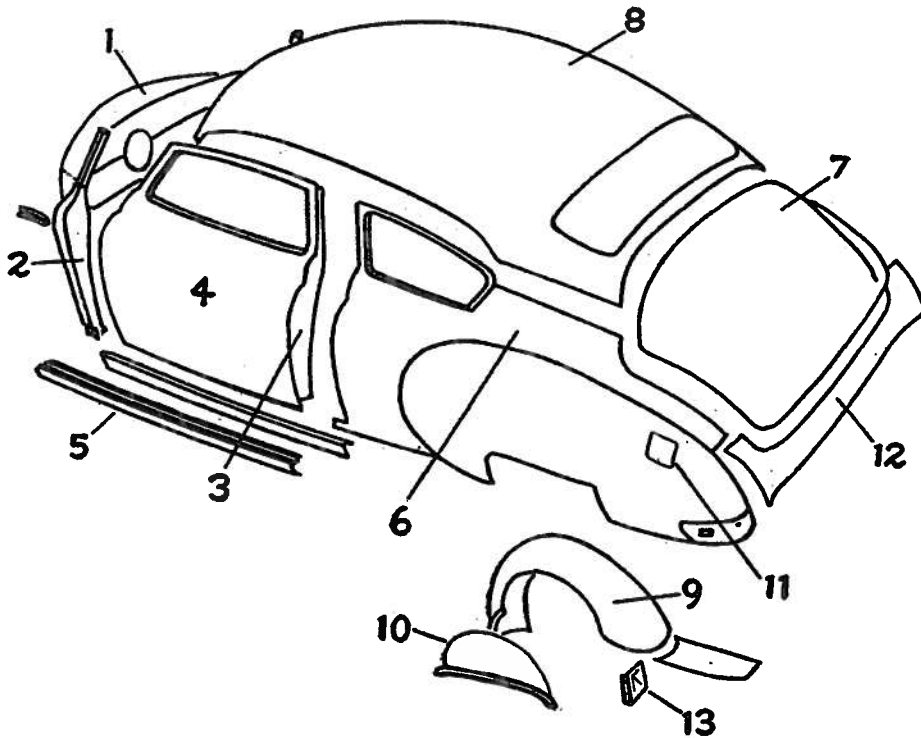
REAR BUMPER, LEFT SIDE

Item Part No.	Description	Price
1 511757	Bar	16.25
2 511952	Guard, outer	4.60
3 511803	Guard, inner	4.60
4 511785	Back bar, in.	5.50
5 511782	Back bar, out.	2.25
6 511693	Apron	3.75
7 511700	Apron ext. Assy.	1.75



BODY PARTS 1949 STREAMLINER PONTIAC

Models 25 and 27. ALL BODY STYLES

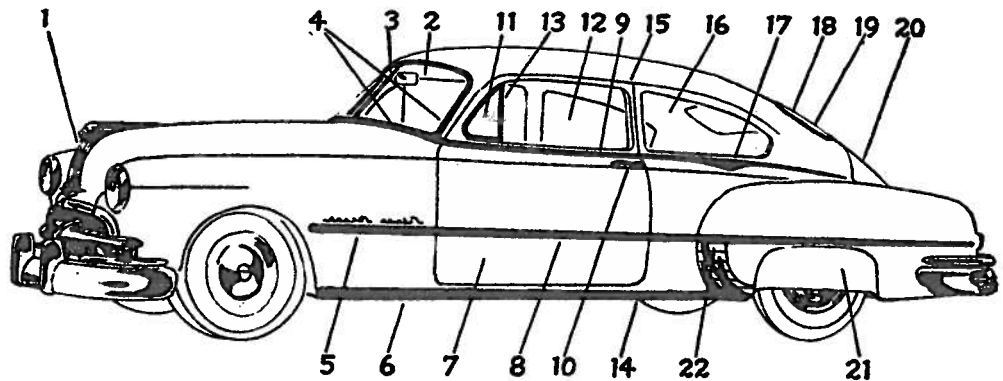


CAR BODY SHEET METAL, LEFT SIDE

2-DOOR—CLOSED TYPES			
Item	Part No.	Description	Price
1	4561407	Cowl & dash assy.	101.75
2	4562037	Cowl side panel...	6.75
3	4568771	Front door	44.75
4	4562848	Front door panel, out.	15.55
5	4169449	Rocker panel, out.	9.50
6	4559957	Rear quart. side pl., out.	38.25
	4562604	Rear quart. side pl. ext., in.	14.50
7	4559141	Deck lid	39.75
8	3692556	Roof panel	49.50
	4564677	Rear quar. side pl. ext., out.	10.50
9	4659489	Panel, whl. house	16.25
10	4580045	Cover, access hole	1.75
11	4562189	Door, fuel tank	1.75
12	4561126	Panel, rear end	6.50
	512460	Shield, Rr. fdr. panel	6.50
13	4582407	Deflector	1.06

CAR BODY CHROME & TRIM MOLDINGS, LEFT SIDE

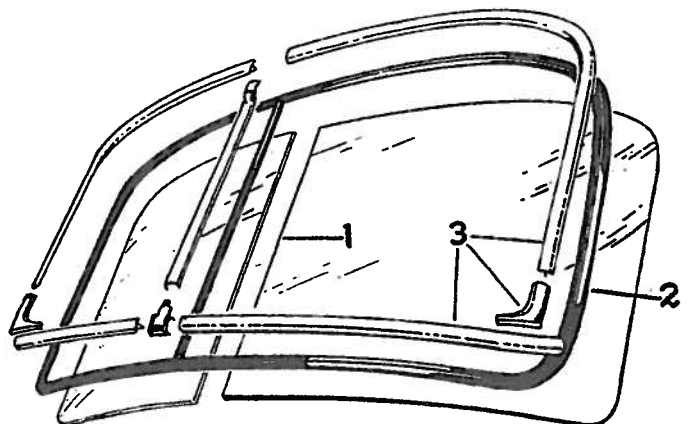
2-DOOR—CLOSED TYPES			
Item	Part No.	Description	Price
1	511493	Molding, hood grille	10.95
2	4581513	Glass, W/S	19.00
3	4562246	Molding, W/S div.	.85
4		Molding, W/S Reveal.	
	4560916	Upper	2.50
	4562379	Lower	1.95
	4560943	Lower corner	.90
5	511648	Mold., frt. fndr., side, 2507D	1.25
6	511525	Mold., rock. pl., frt.	4.25
7	4568771	Front door	4.50
8	4561602	Molding, frt. dr. low.	2.15
9	4581292	Molding, frt. dr. belt	2.00
10	4568323	Handle assy., frt. dr.	No Price
11	4560574	Vent. glass, frt. dr.	3.50
12	4561192	Glass, frt. dr.	10.75
13	4568929	Mold., wind. div. chnl.	3.15
14	511525	Mold., rck. pl. Rr.	4.25
15	4561190	Drip molding	1.75
16	4562221	Glass, Rr. quart. wind.	11.25
17		Moldings, Rear Quart. Belt.	
	4563261	—2507	2.50
	4562924	—Front, 2507D	4.25
	4562926	—Rear, 2507D	2.25
	4561946	—Low, 2507D	1.35



Item	Part No.	Description	Price
	4561944	R. fndr., 2507D	3.25
18	4559990	Glass, Rr. wind.	15.50
19	4562138	Mold., Rr. wind. reveal	3.25
20	511812	Molding, Rr. lid	5.25
21	512460	Shield, Rr. fender panel	6.50
22	4562019	Shield, Rr. fender stone	7.50

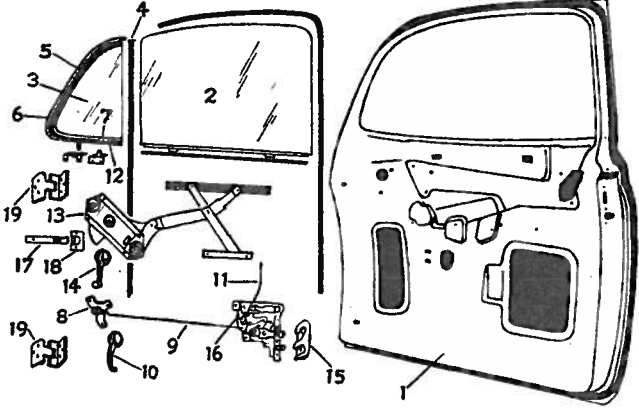
WINDSHIELD ASSEMBLY, LEFT SIDE

2-DOOR—CLOSED TYPES			
Item	Part No.	Description	Price
1	4561513	Glass	19.00
	4588472	Escutcheon, up.	.23
	4568471	Escutcheon, low.	.23
	4562770	Mold., garnish	2.65
	4568115	Mold., W/S div., in.	.80
	513086	Mirror, R. view	1.75
	4170772	Sunshade	3.50
	4170773	Sunshade, 2507 D	3.75
	4113902	Support	1.25
2	4564078	Channel, W/S glass	6.25
3		Molding, Windshield Reveal.	
	4560916	Upper	2.50
	4562379	Lower	1.95
	4560943	Lower corner	.90
	4562246	Division	.85
	4575454	Clip	...



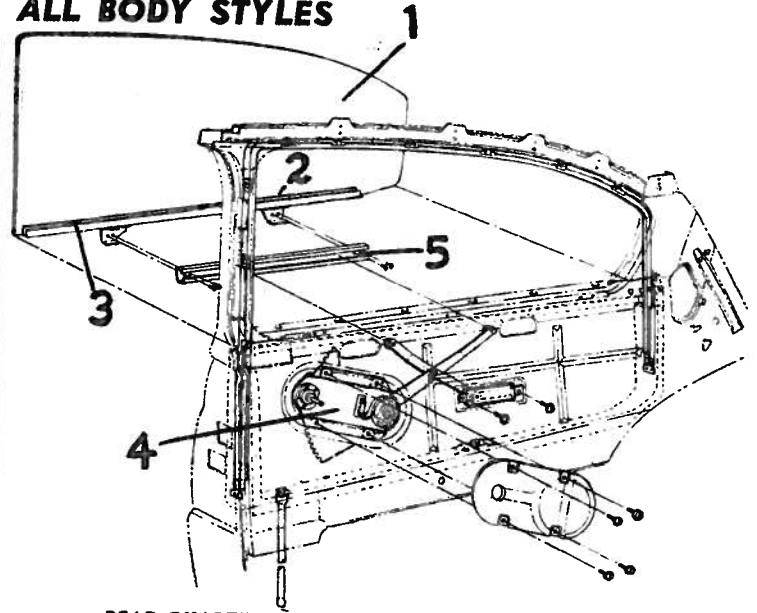
PONTIAC STREAMLINER 1949 BODY PARTS

Models 25 and 27. ALL BODY STYLES



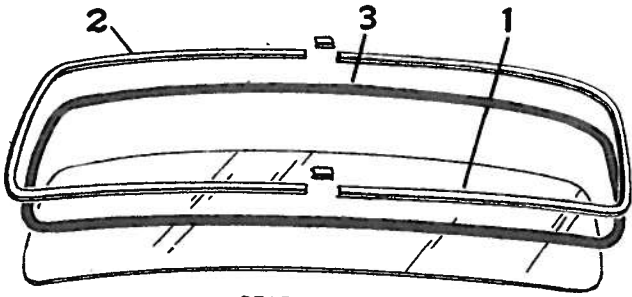
FRONT DOOR HARDWARE, LEFT SIDE
2-DOOR-CLOSED TYPES

Item Part No.	Description	Price	Item Part No.	Description	Price
1	4568771—Door	44.75	4565043	Escutcheon	.05
2	4561192—Glass	10.75	4078002	Spring	.06
3	4560574—Vent. glass	3.50	11 4560513	Rod, lock ctrl.	.12
4	4570107—Mold., garnish	10.15	12 4167989	Handle, vent. reg.	1.45
5	4568929—Channel, div.	3.50	13 4561303	Regul. wind.	5.25
6	4168195—W/strip, vent.	1.25	14 4564414	Handle, wind. reg.	1.45
7	4167996—Chnl., vent. glass	4.65	15 4561310	Striker, dr.	1.05
8	4167990—Lock butn., vent.	.15	16 4560815	Lock assy.	.40
9	4562602—Remote ctrl., lock	.85	17 4559989	Check link	.40
10	4561812—Link, con.	.12	18 4561013	Support, link	.40
			19 4559290	Hinge, up. & low.	.40



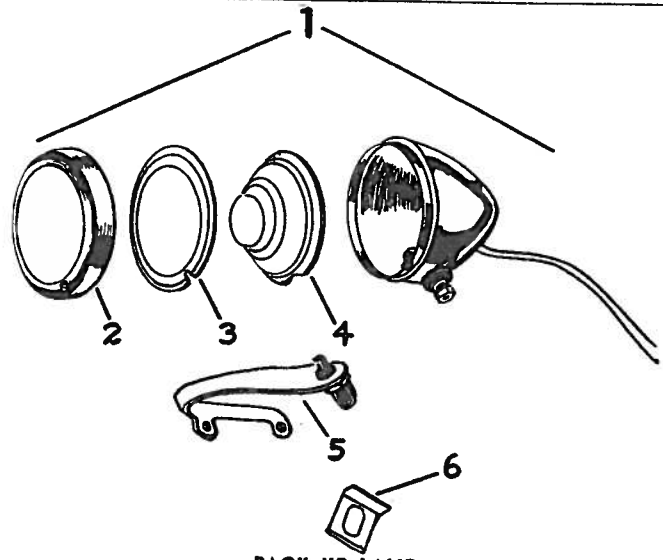
REAR QUARTER WINDOW HARDWARE, LEFT SIDE
2-DOOR-CLOSED TYPES

Item Part No.	Description	Price	Item Part No.	Description	Price
1	4562221—Glass	11.25	4 4561574	Regul., wind.	3.80
2	4561167—Sash channel, low	.60	4564414	Handle, reg.	1.45
3	603954—Filler, low chan.	1.90	5 4099974	Cam	.35
	4570121—Mold., garnish	8.95			



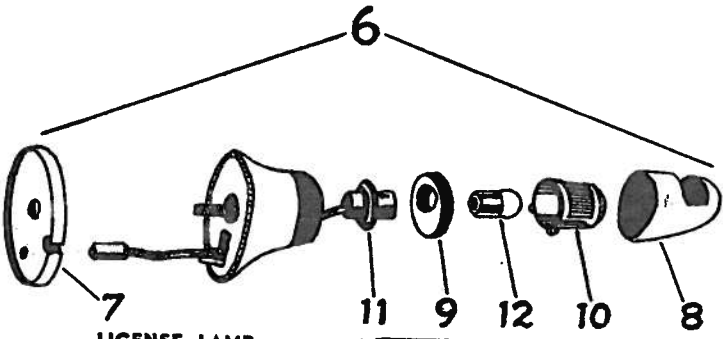
REAR WINDOW
2-DOOR-CLOSED TYPES

Item Part No.	Description	Price
1	4559990—Glass	15.50
2	4562138—Molding, reveal	3.25
3	4564358—Channel, glass	3.50



BACK UP LAMP

Item Part No.	Description	Price	Item Part No.	Description	Price
1	928041—Back-up lamp assy.	4.50	5 512325	Support, switch, S.T.	.20
2	5938298—Door	1.40	6 512323	Stop, switch	.10
3	5935956—Gasket	.15			
4	5938297—Lens	.45			

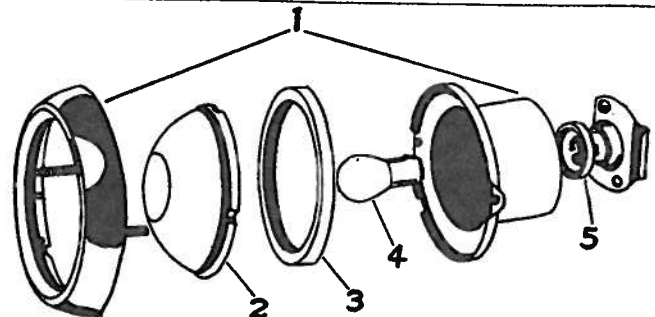


LICENSE LAMP

Item Part No.	Description	Price
6	927582—License lamp assy.	3.35
7	512555—Pad	.12
8	5937942—Cover, lamp	.55
9	5937940—Gasket	.10
10	5937941—Lens	.40
11	5937937—Wire assembly	.55
12	142303—Bulb	.10
	5938180—Bar lic. supt.	.50

TAIL LAMP

Item Part No.	Description	Price
1	927607—Tail lamp & bkt. assy.	5.80
2	5937590—Lens	.90
3	5937599—Gasket	.20
4	145416—Bulb	.33
5	5938601—Socket assy.	.35



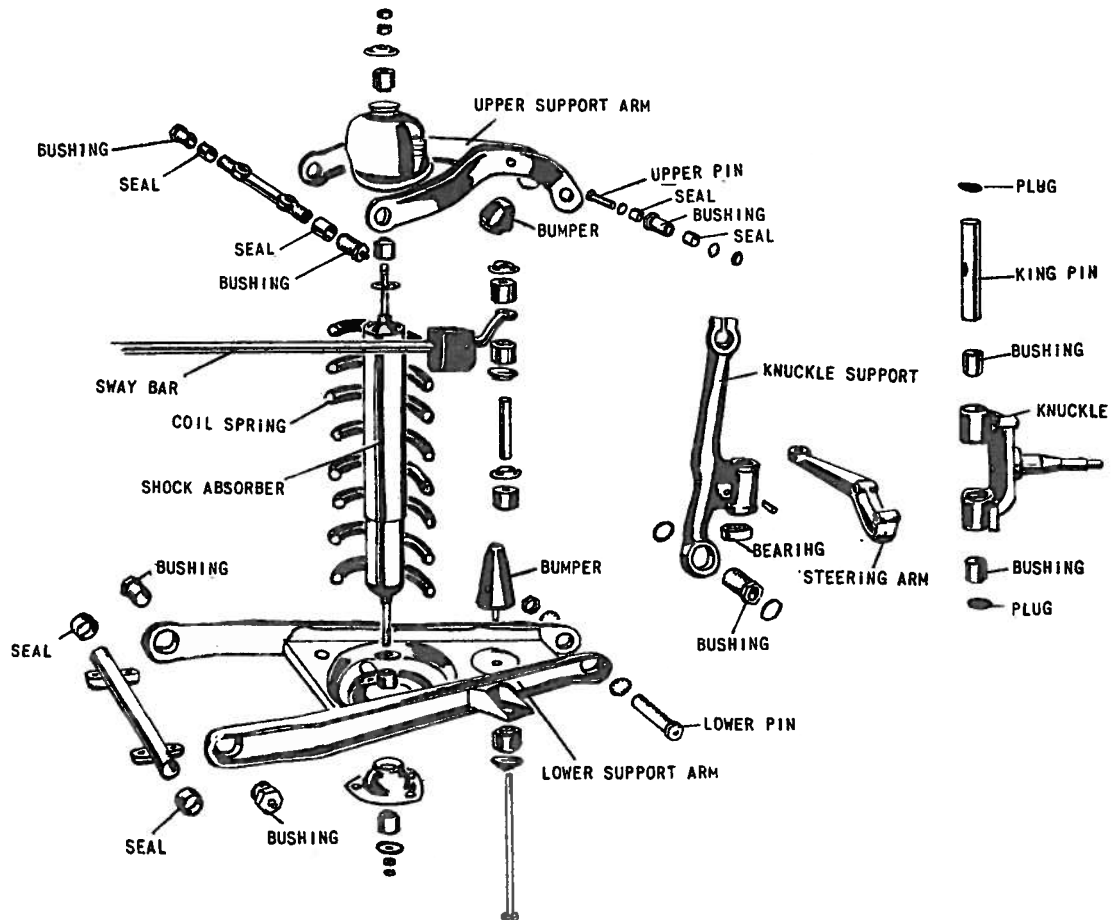
FLAT RATE 1949 STREAMLINER PONTIAC

Models 25 and 27. ALL BODY STYLES

Job No.	Chilton Labor Price	Chilton Job No.	Chilton Labor Price	Chilton Job No.	Chilton Labor Price	Chilton Job No.	Chilton Labor Price	Chilton Job No.	Chilton Labor Price	Chilton Job No.	Chilton Labor Price	Chilton Job No.	Chilton Labor Price	Chilton Job No.	Chilton Labor Price	Chilton Job No.	Chilton Labor Price				
A		A—continued		A—continued		B—continued		C—continued		D		E—continued		E—continued		F—continued		G			
1	4.00	6	18.00	20	8.00	9	26.00	3	26.00	1	4.00	2	28.00	12	12.00	2		1		1	
1a	3.50	7	3.00	20x	9.00	10	4.60	4	2.60	1a	3.50	3	28.00	13		3		2		2	
2	2.50	8	2.50			11	3.50	5	4.00	2	2.50	4	26.00	14	100.00	4		3		3	
3	6.00	9	5.00			12	4.00	6	4.50	3	6.50	5	30.00	15	85.00	5		4		4	
4	17.00	10	6.50	1	4.00	13	2.00	7	2.00	4	12.00	6	30.00	16	62.00	6		5		5	
4a		11	3.00	1a	7.00	14	3.00	8	3.75	7	28.00	7x		17	46.00	7		6		6	
4b		12	5.50	2	20.00	15	1.25	9		7x	28.00	8	28.00	18	19.00	8		7		7x	
4c	6.00	13	3.00	3	26.00			10	4.50	19	12.00	8		19	12.00	9		8		8	
5	11.00	14	3.50	4	2.50			11	3.50	20	6.00	9	60.00			10		9		9	
5a	4.00	15	1.00	5	3.75			12	4.00			9x	70.00			11		10		10	
5b	3.75	16		6	4.50	1	4.00	13				9y	65.00			12		11		11	
5c	4.00	17	1.00	7	2.00	1a	7.00	14	3.00			10				13		12		12	
5d	5.75	18	10.00	8	3.75	2	20.00	15	1.25	1	120.00	10y	65.00			14		13		12	
												11	65.00			14		14		19	

FRAME AND WIRING DIAGRAMS NOT AVAILABLE AT TIME OF GOING TO PRESS

STEERING GEOMETRY



CASTER: 1/2 to 1 degree negative, 3/4 desired.

CAMBER: 1/4 positive to 1/4 degree negative, zero desired.

TOE-IN: Zero to 1/16 inches.

KING PIN INCLINATION: 5 degree.

ADJUSTMENT

CASTER is controlled by full turns of the upper eccentric pin.

CAMBER is controlled by eccentric upper pin and full range is obtained in one-half turn.

TOE-IN should be adjusted at both tie-rods.