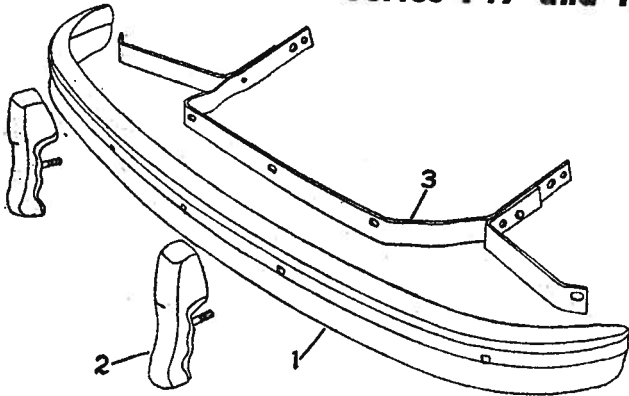


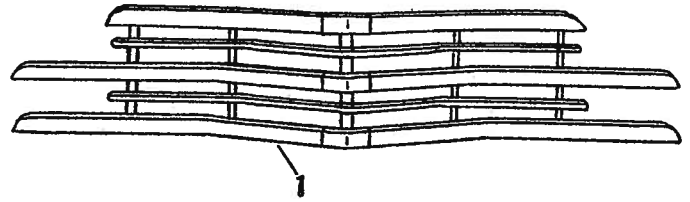
PLYMOUTH 1949 BODY PARTS

Series P17 and P18. ALL BODY STYLES



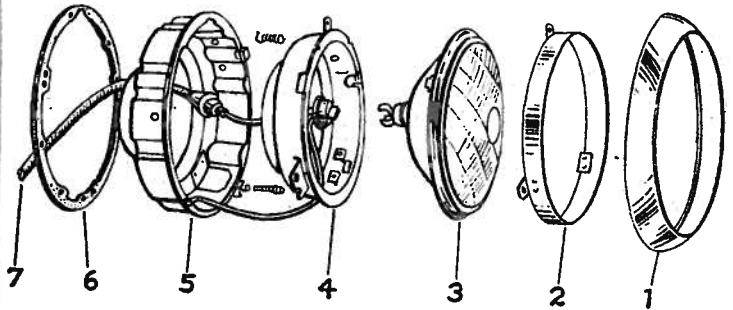
FRONT BUMPER ASSEMBLY

Item Part No.	Description	Price
1 1134371	—Face bar	26.50
2 1135010	—Bumper, buffer ...	3.10
3 1137678	—Support assy.	8.50



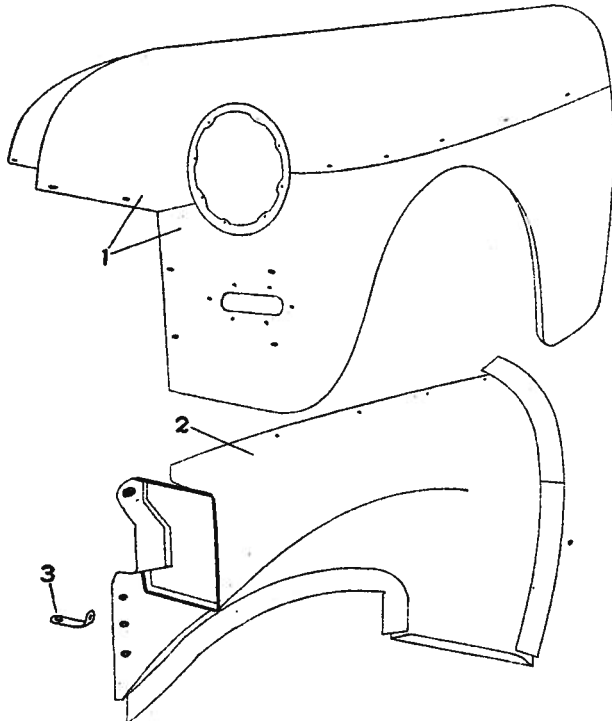
GRILLE ASSEMBLY

Item Part No.	Description	Price
1 1242636	—Grille assy.	42.50



HEAD LAMP ASSEMBLY

Item Part No.	Description	Price	Item Part No.	Description	Price
1 1239411	—Lamp door	1.95	5 1154200	—Shell assy.	2.40
2 946942	—Retaining ring	1.55	6 997886	—Gasket15
3 1297667	—Sealbeam unit	1.30	7 1302431	—Cable w/socket ...	1.55
4 946940	—Seat assy.	1.55			

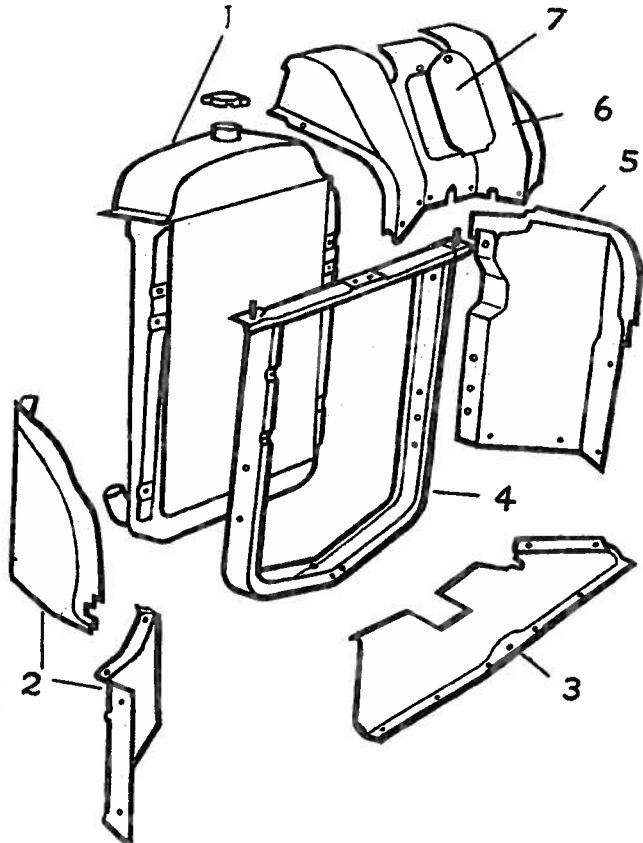


HOOD ASSEMBLY

Item Part No.	Description	Price	Item Part No.	Description	Price
1 1239965	—Panel assy.	27.50	14 1240600	—Brace, hood to rad., up.50
2 1244471	—Strip, cowl to hood	1.00	15 1298956	—Brace, hood, low.90
3 1298932	—Midg., hood top, P18	1.75	16 1255403	—Hood hinge, left.	4.95
4 1241165	—Midg., hood, front ctr., P1860	17 1252596	—Hood strainer90
5 1299361	—Midg., hood, front, P18	4.75	18 1300622	—Hood lock wire and knob	1.75
6 1298931	—Ornament, hood, top	3.95			
7 1299362	—Medallion	1.45			
8 1299363	—Retainer	1.45			
9 1298391	—Letter on front, P30			
9 1298392	—Letter on front, L30			
9 1298393	—Letter, Y30			
9 1298394	—Letter, M30			
9 1298395	—Letter, W30			
9 1298396	—Letter, O30			
9 1298379	—Letter, T	1.00			
9 1298398	—Letter, H30			
10 1242941	—Sup., lock assy., up.	1.55			
11 1242602	—Sup., low lock	1.35			
12 1238994	—Lock, hood assy., up.	1.35			
13 1240225	—Lock, hood assy., low.	1.35			

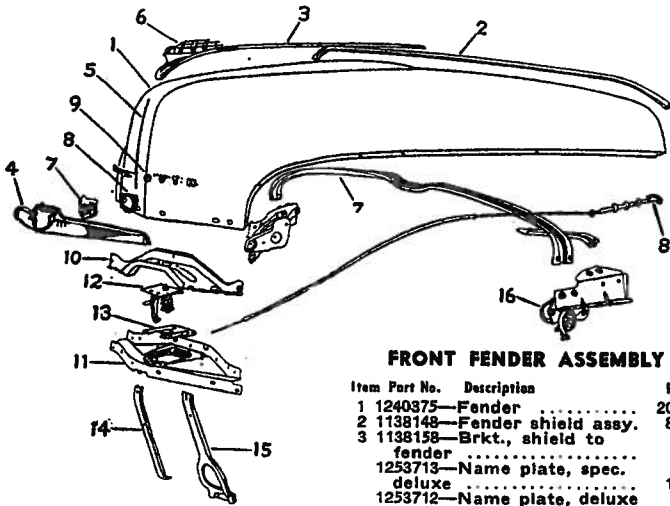
AIR SCOOPS AND RADIATOR ASSEMBLY

Item Part No.	Description	Price
1 1243317	—Rad. core	66.15
1 1244435	—Core for high altitude	69.75
2 1242984	—Rad. side shield	2.65
3 1239572	—Dust shield	2.25
4 1286252	—Rad. support	6.75
5 1242883	—Shield, up. side, right75
5 1240502	—Shield, low. right.	1.15
6 1240300	—Shield, rad., up.	3.25
7 1240288	—Cover, rad., up. shield45



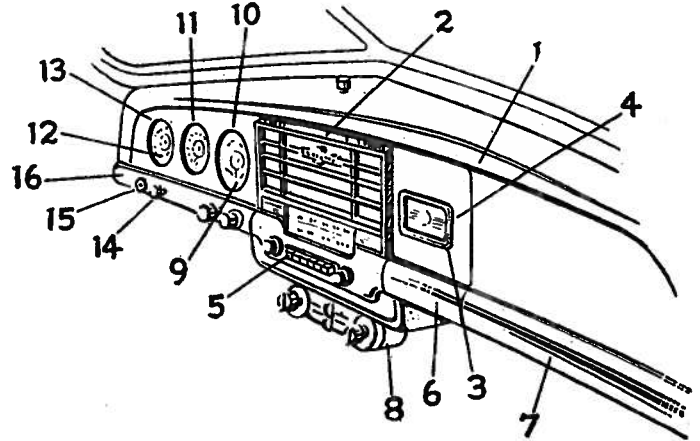
BODY PARTS 1949 PLYMOUTH

Series P17 and P18. ALL BODY STYLES



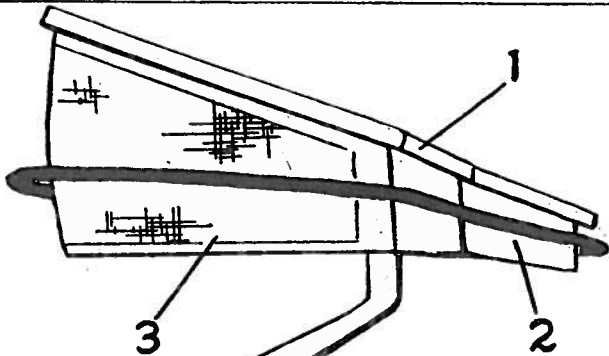
FRONT FENDER ASSEMBLY

Item	Part No.	Description	Price
1	1240375	Fender	20.50
2	1138148	Fender shield assy.	8.45
3	1138158	Brkt., shield to fender	.25
	1253713	Name plate, spec. deluxe	1.05
	1253712	Name plate, deluxe	.95



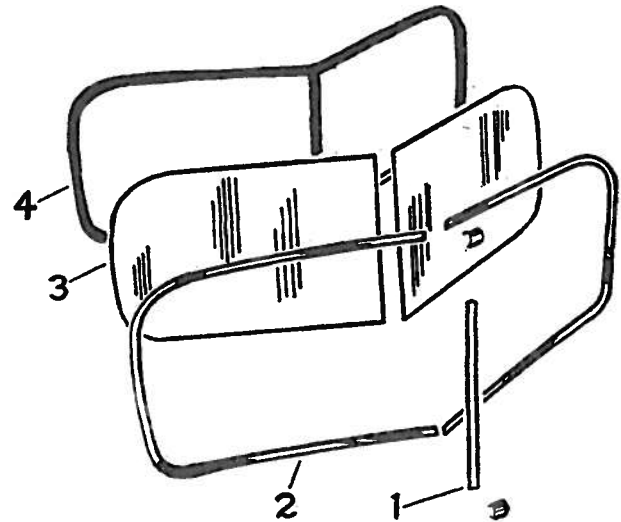
INSTRUMENT PANEL ASSEMBLY

Item	Part No.	Description	Price	Item	Part No.	Description	Price
1	1248681	Inst. panel assy...	16.75	7	1248617	Mldg., glove door..	1.95
1	1248742	Inst. panel, white	14.75	8	1302432	Heater panel	1.50
2	1247804	Grille assy.	10.25	9	1302623	Fuel gauge assy...	4.25
3	1248885	Door, glove box, grained	5.25	10	1302624	Oil gauge assy.	2.45
3	1248869	Door assy., white, P18	4.00	11	1244918	Speed, (mile)	13.00
4	1248372	Cover, clock hole.	1.95	11	1253416	Speed, (kilo)	13.00
5	1257224	Radio pkg. model 603, 6T	72.75	12	1302620	Ammeter assy.	2.25
5	1257225	Radio pkg. model 803, 8T	82.75	13	1302621	Temp. gauge (F.)	4.75
6	1248928	Receiver assy.65	13	1302622	Temp. gauge (C.)	4.75
				14	1244787	Hdimp. sw. knob.	.70
				15	1300913	Sw. starter and ignition	5.60
				16	1248461	Mldg., panel, left.	1.50



COWL VENTILATOR

Item	Part No.	Description	Price
1	1249028	Cowl vent. lid	3.95
2	1245657	W/strip	.85
3	1243430	Screen	1.00
4	1248957	Support assy.	3.15
5	1249065	Knob	.50



WINDSHIELD ASSEMBLY

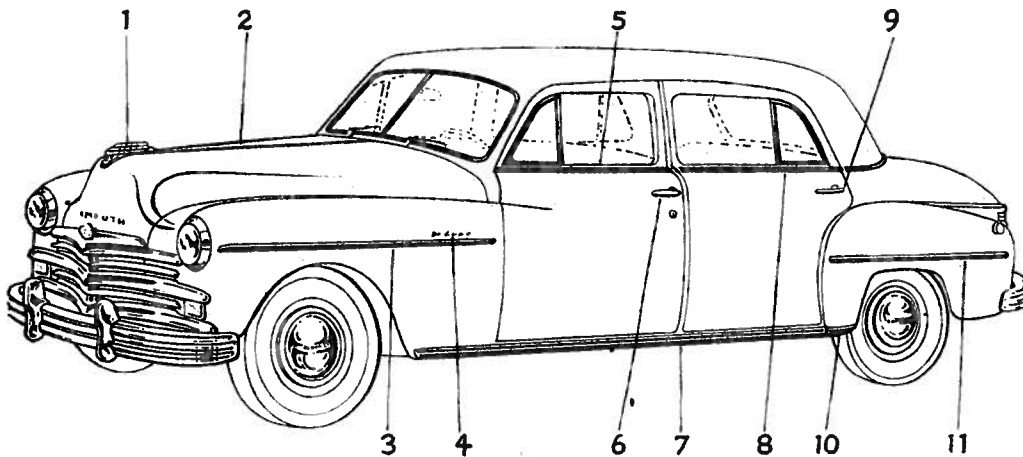
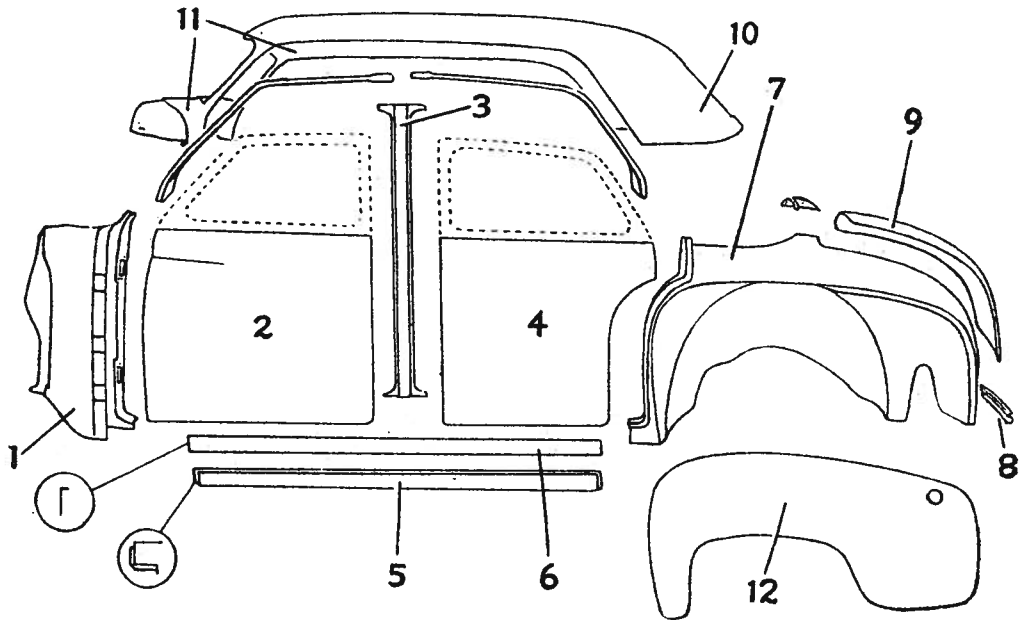
4 DOOR			2 DOOR				
Item	Part No.	Description	Price	Item	Part No.	Description	Price
1	1246405	Div. bar, deluxe	.95	1	1249488	Div. bar, chrome..	2.60
1	1246404	Div. bar, spec. deluxe	1.65	2	1249617	Mldg., out.	2.75
2	1246425	Mldg., out, spec. deluxe	1.65	3	1249258	Glass	P.O.A.
3	1245188	Glass	P.O.A.	4	1249334	W/strip	7.50
4	1245189	W/strip, spec. deluxe	7.00		1248403	Mldg. assy., finished	5.95
	1246536	Mldg., finished	5.50				
CONVERTIBLE COUPE			COUPES				
1	1246571	Div. bar, chrome..	2.60	1	1246405	Div. bar	.95
2	1246639	Mldg., out, chrome..	2.75	1	1246404	Div. bar, spec. deluxe	1.65
3	1246602	Glass	P.O.A.	2	1246425	Mldg., spec. deluxe, club cpe.	1.65
4	1246645	W/strip	7.50	3	1245188	Glass	P.O.A.
	1246724	Mldg. assy., white	5.95	4	1245189	W/strip, spec. deluxe, club cpe.	7.00
					1246536	Mldg., finished	5.50

PLYMOUTH 1949 BODY PARTS

Series P17 and P18. ALL BODY STYLES

SHEET METAL—4 DOOR

Item	Part No.	Description	Price
1	1245005	Panel, cowl side	17.50
2	1303131	Panel, front door repair P17-18	12.75
3	1249211	Pillar, center body	10.00
4	1303133	Panel, rear door repair, P18	10.75
5	1245093	Panel, sill, outer, P18	5.50
6	1245378	Panel, sill, in., P18	4.25
7	1249687	Panel, rear qtr. assy., P18	44.50
8	1303085	Panel, rear end repair	13.50
9	1245058	Deck lid, P18	35.50
10	1303314	Panel, roof repair	45.00
11	1249212	Roof assy.	95.00
12	1243453	Fender, rear	12.50
	1249219	Brace, fender, P17 sub. sdn.	.45

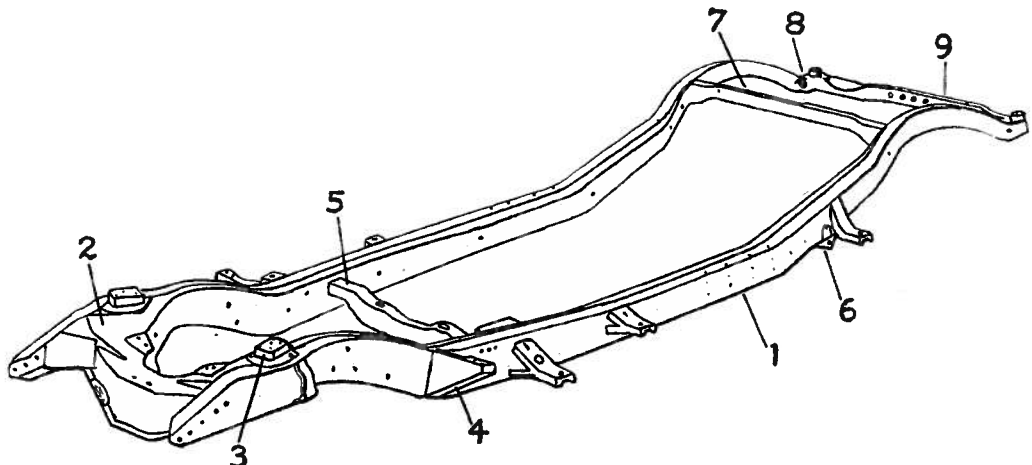


BODY MOLDING—4 DOOR

Item	Part No.	Description	Price
1	1298931	Hood ornament	3.95
2	1298932	Mldg., hood top	1.75
3	1298329	Fender mldg.	2.45
4	1253713	Fender name plate, spec. deluxe	1.05
5	1253712	Name plate, deluxe	.95
6	1246377	Door midg., P18	1.85
7	1249455	Body sill midg., P17-18	2.55
8	1246579	Rear door midg.	7.50
9	1246409	Rear door handle	1.85
10	1299820	Rear fender shield, P18	2.55
11	1246226	Rear fender mldg., P18	5.25
	1246258	Mldg. roof panel, P18	3.20
			2.75

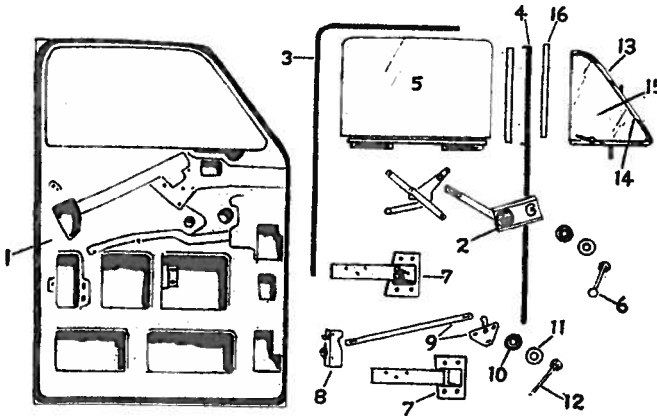
FRAME ASSEMBLY

Item	Part No.	Description	Price
1	1141754	Frame assy., sub. sed., P17	85.00
1	1137024	Frame assy., 4 D. sed., P18	85.00
2	1141209	Front crossmember, No. 1	26.00
3	1312042	Support	1.10
4	1137165	Brkt., No. 2, P17-18	1.45
4	1137183	Brkt., No. 4, P17	1.25
4	113775	Brkt., No. 5, P17	1.25
4	1137171	Brkt., No. 4, P18	1.65
5	1137054	Crossmember, No. 2	5.10
6	1124576	Front rear sprg. hanger	1.40
7	1141736	Inter. crossmember	5.50
8	1137077	Rear spring rear hanger	1.25
9	1141753	Rear crossmember, sub. sed.	4.05
9	1140339	Rear crossmember, 4 D.	4.05



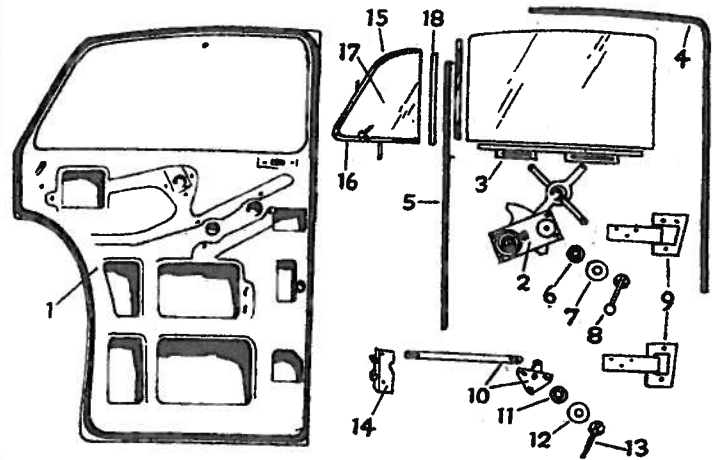
BODY PARTS 1949 PLYMOUTH

Series P17 and P18. ALL BODY STYLES



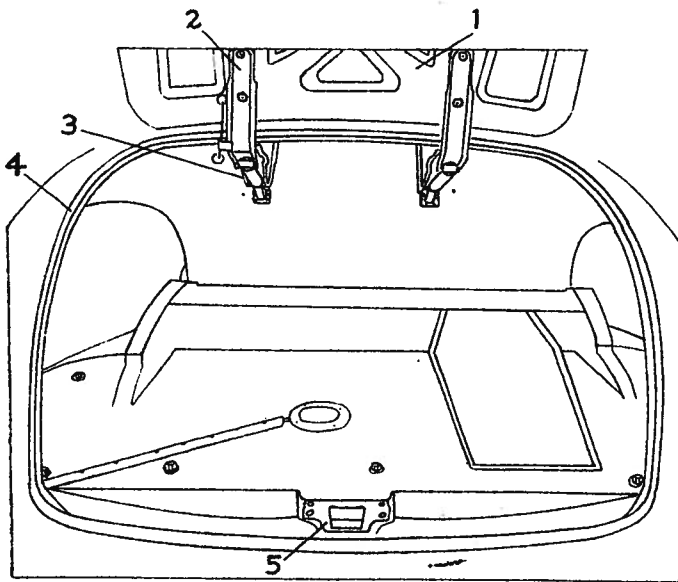
FRONT DOOR AND PARTS
4 DOOR

Item Part No.	Description	Price	Item Part No.	Description	Price
1	1249191—Door, less trim hardware, P18	44.50	10	89796—Spring	.06
2	1245148—Regltr. or plate	4.00	11	1249025—Escutcheon	.30
3	1245478—Run, door glass	P.O.A.	11	1246031—Escutcheon, de-luxe, P18	.40
4	1245220—Div. channel run	1.10	12	987067—Handle assy., P17-18	.90
5	1245159—Door glass	P.O.A.	13	1245212—Frame	2.75
6	1246027—Regltr. handle, P17	1.45	14	1245472—Retainer assy.	3.75
7	1245789—Door hinge, up.	1.55	15	1245165—Vent. glass	P.O.A.
8	1245775—Door hinge, low.	2.95	16	1255487—Div. midg., out.	.35
9	1242694—Lock assy.	3.35	16	1255488—Div. midg., in.	.40
9	1247912—Remote control	1.00			



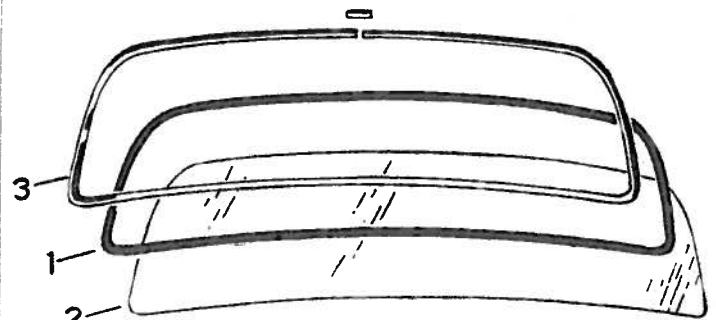
REAR DOOR AND PARTS ASSEMBLY
4 DOOR

Item Part No.	Description	Price	Item Part No.	Description	Price
1	1249237—Door, less glass trim hardware, P18	44.50	11	849517—Spring	.06
2	1245177—Regltr. assy.	4.50	12	1249025—Escutcheon	.30
3	1245105—Channel, low.	.90	13	987067—Handle	.90
4	1245510—Glass run, top	P.O.A.	14	1242694—Lock assy.	3.35
5	1246658—Div. channel run	1.10	15	1245251—Frame assy.	3.00
6	89796—Spring	.06	16	1245243—Retainer assy.	3.75
7	1246031—Escutcheon	.40	17	1245168—Vent. glass	P.O.A.
8	1246027—Regltr. handle	1.45	18	1255487—Div. channel midg., out.	.35
9	1245587—Hinge, up., P18	2.65	18	1255488—Div. channel midg., in.	.40
9	1245583—Hinge, low., P18	2.50			
10	1247841—Remote control assy.	.95			



REAR DECK LID ASSEMBLY

4 DOOR SEDAN			COUPES		
Item Part No.	Description	Price	Item Part No.	Description	Price
1	1245058—Deck lid assy., P18	35.50	1	1245369—Deck lid assy., 3 cpe., P17	5.35
2	1241466—Hinge, P18	1.85	1	1245058—Deck lid assy., club cpe., P18	35.50
3	1303383—Hinge guide	2.50	2	1241466—Hinge, club cpe., P18	1.85
4	1245704—W/strip, P18	4.50	2	905339—Hinge, 3 cpe., P17	1.25
5	1299663—Catch	.40	3	934315—Hinge guide, 3 cpe., P17	2.05
	1246986—Name plate	4.05	3	1303383—Hinge guide, club cpe.	2.50
	1246374—Medallion, name plate	1.15	4	1245715—W/strip, 3 cpe., P17	4.85
	1244755—Deck handle	1.75	4	1245704—W/strip, club cpe., P18	4.50
			5	1299663—Catch	.40
				1246986—Name plate	4.05
				1246374—Medallion name plate	1.15
				1244755—Deck handle	1.75



REAR WINDOW ASSEMBLY
4 DOOR

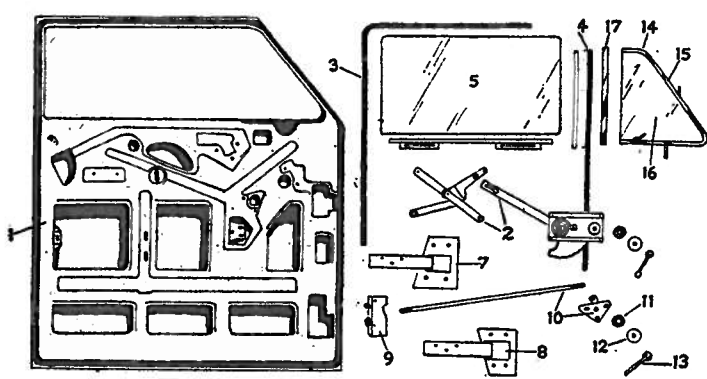
Item Part No.	Description	Price
1	1247517—W/strip, spec. de-luxe, P18	3.25
1	1249011—W/strip, deluxe, P18	4.50
2	1245162—Glass, P18	P.O.A.
3	1245960—Midg., spec. deluxe, P18	2.65
	1303150—Clip	.60

2 DOOR		
Item Part No.	Description	Price
1	1247410—W/strip	4.75
2	1249304—Glass	P.O.A.
3	1303338—Midg., right, out.	2.75
3	1303339—Midg., left, out.	2.75
	1303150—Clip, rear window	.60

COUPES		
Item Part No.	Description	Price
1	1246851—W/strip, 3 cpe.	4.65
1	1245163—W/strip, club cpe., spec. deluxe	3.45
1	1249010—W/strip, club cpe., deluxe	4.75
2	1245359—Glass, club cpe., P18	P.O.A.
2	1245231—Glass, 3 cpe., P17	P.O.A.
3	1247464—Midg., spec. deluxe, club cpe.	3.75

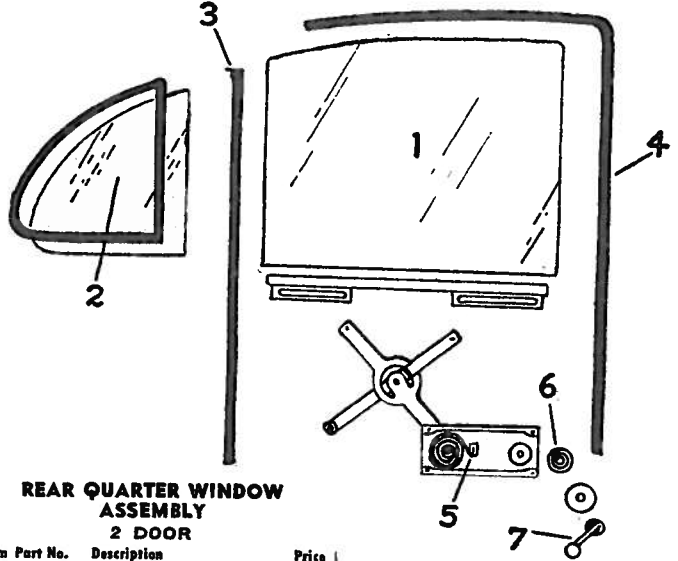
PLYMOUTH 1949 BODY PARTS

Series P17 and P18. ALL BODY STYLES



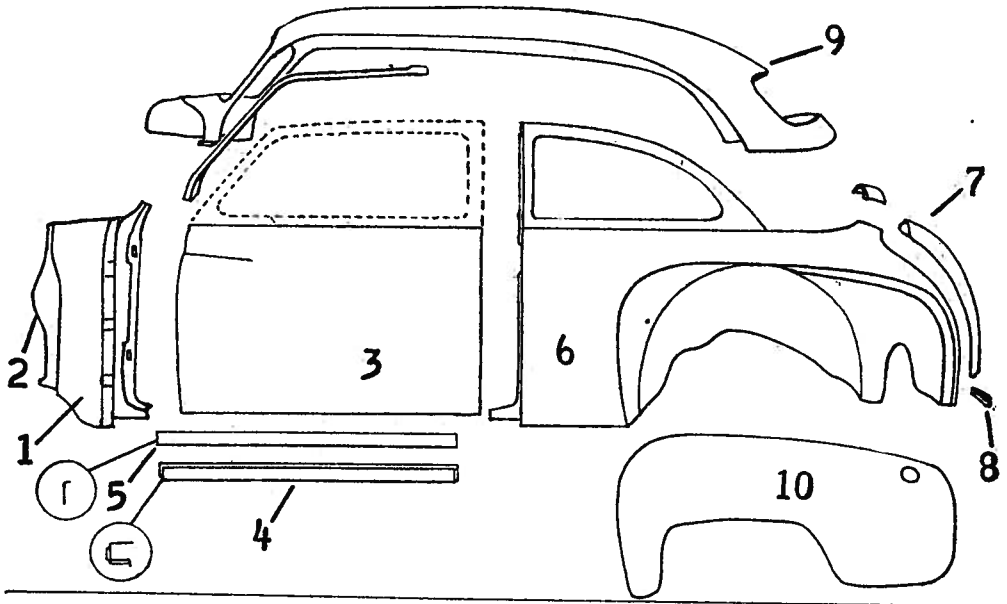
DOOR AND PARTS ASSEMBLY
2 DOOR

Item Part No.	Description	Price	Item Part No.	Description	Price
1	1249185—Door, less trim hardware, P17	47.50	9	1242684—Lock assy.	.35
2	1245639—Regltr. or plate	5.35	10	1247912—Remote control	1.00
3	1249287—Run, door glass, P17	P.O.A.	11	89796—Spring	.06
4	1249282—Div. channel	1.05	12	1248025—Escutcheon	.30
5	1248729—Door glass, P17	P.O.A.	13	987067—Handle assy.	.90
6	1248039—Regltr. handle	2.00	14	1249317—Frame	2.25
7	1245769—Hinge, up.	2.95	15	1249563—Retainer assy.	3.75
8	1245775—Hinge, low.	2.95	16	1245165—Vent. glass	P.O.A.
			17	1303068—Div. midg., out.	2.25
				1303069—Div. midg., in.	1.75



REAR QUARTER WINDOW ASSEMBLY
2 DOOR

Item Part No.	Description	Price	Item Part No.	Description	Price
1	1249056—Glass, front, P17	P.O.A.	1248425	—Midg. with w/strip	4.50
2	1249032—Glass, rear, P17	P.O.A.	5	1249123—Regltr.	3.75
3	1249773—W/strip, in., P17	.60	6	89796—Spring	.06
4	1249771—W/strip, out., P17	.85	7	1246027—Handle	1.45
4	1249034—W/strip, P18	1.35			

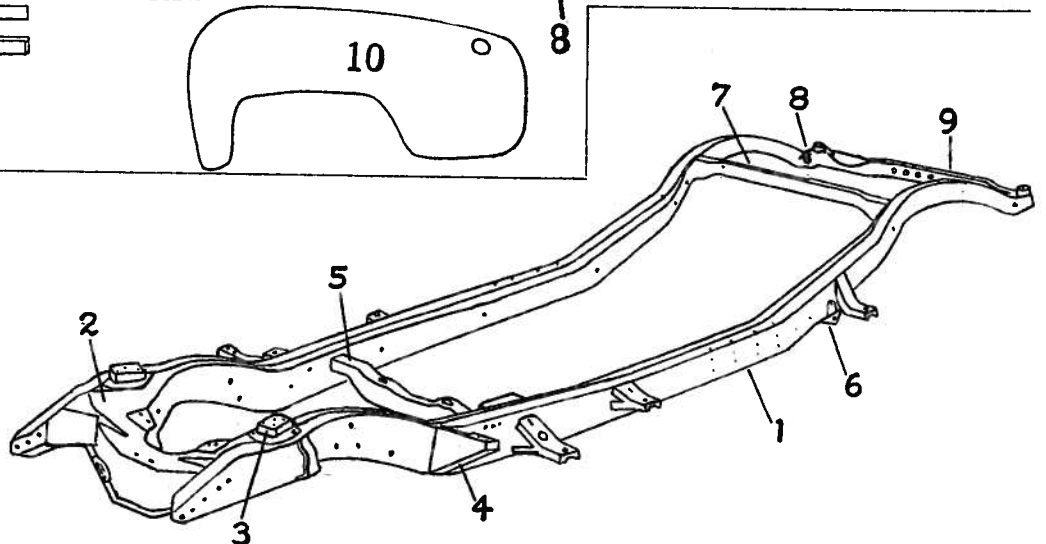


SHEET METAL—2 DOOR

Item Part No.	Description	Price
1	1245005—Panel, cowli side	17.50
2	1245011—Panel, dash assy.
3	1303131—Panel, door repair	12.75
4	1245374—Panel, sill, out., P17	5.00
5	1245376—Panel, sill, in., P17	4.00
6	1249693—Panel, rear qtr. assy., P17	54.00
7	1248529—Deck lid, P17	33.50
8	1303092—Panel, rear end	6.75
9	1303378—Panel, roof repair, P17	4.25
10	1303387—Fender, rear	11.50

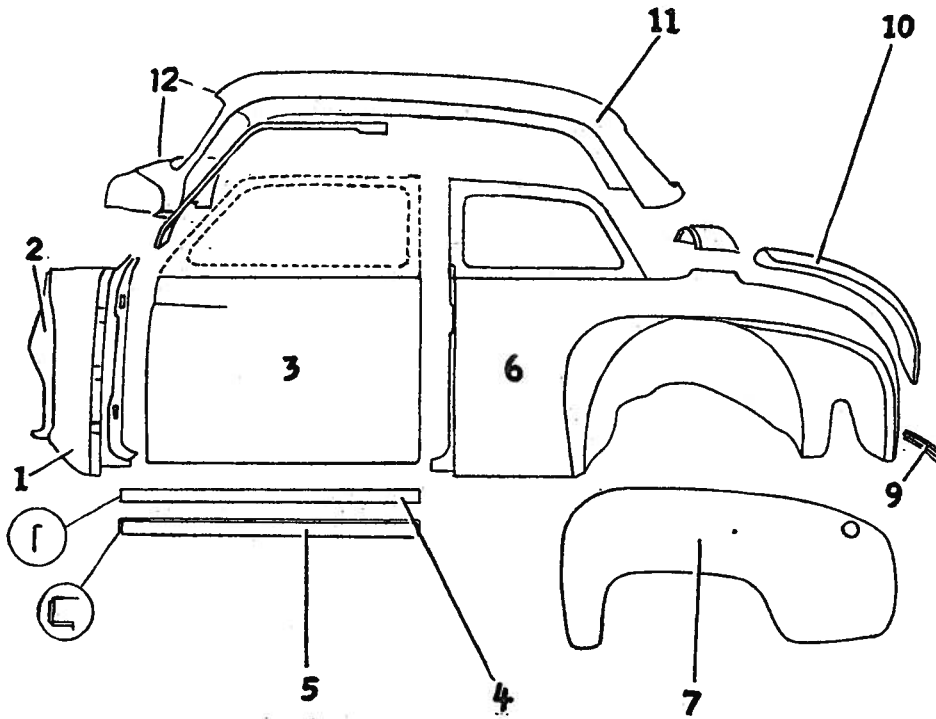
FRAME ASSEMBLY
2 DOOR

Item Part No.	Description	Price
1	1137025—Frame assy.	81.50
2	1141209—Front crossmember, No. 1	26.00
3	1312042—Support	1.10
4	1137165—Brkt., No. 2, P17-18	1.45
4	1137183—Brkt., No. 4, P17	1.25
4	1137175—Brkt., No. 5, P17-18	1.25
4	1137171—Brkt., P18	1.65
5	1137054—Crossmember, No. 2	5.10
6	1124576—Front hanger, rear sprg.	1.40
7	1141736—Inter. crossmember	5.50
8	1137077—Rear spring rear hanger	1.25
9	1140339—Rear crossmember	4.05



BODY PARTS 1949 PLYMOUTH

Series P17 and P18. ALL BODY STYLES

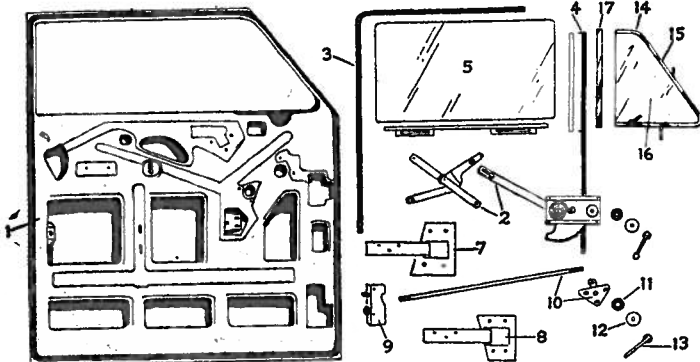
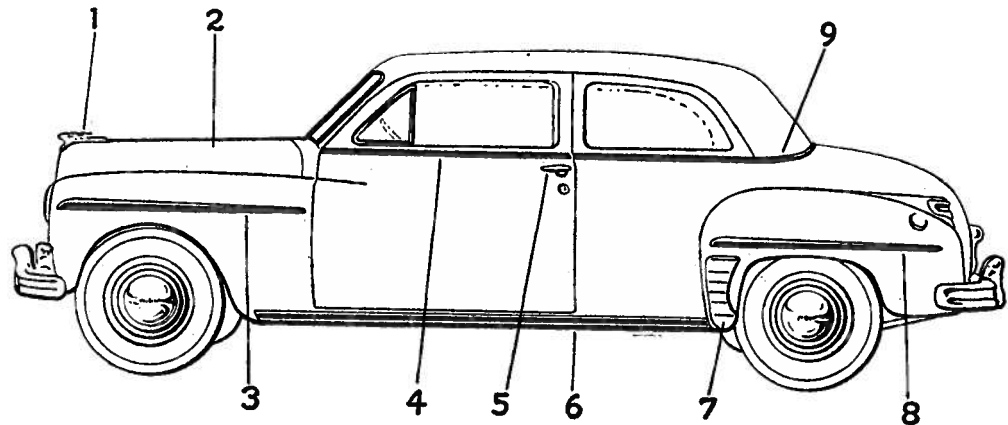


SHEET METAL COUPES

Item	Part No.	Description	Price
1	1245005	Panel, cowl side ..	17.30
2	1245011	Dash panel	12.75
3	1303131	Panel, door repair ..	4.00
4	1246126	Panel, sill, in., 3 cpe., P17	4.25
4	1245381	Panel, sill, in., club cpe., P18	5.00
5	1246124	Panel, sill, out., 3 cpe., P17	5.50
5	1245095	Panel, sill, out., club cpe., P18	47.50
6	1249695	Panel, rear qtr., 3 cpe., P17	54.00
6	1249689	Panel, rear qtr., club cpe., P18	12.50
7	1243453	Rear fender	13.50
9	1303085	Rear end rep. panel, club cpe., P18
10	1245369	Deck lid, 3 cpe., P17
10	1245058	Deck lid, club cpe., P18	35.30
11	1303315	Roof repair panel, club cpe., P18	35.00
12	1249215	Roof assy., 3 cpe., P17	77.30
12	1249214	Roof assy., club cpe., P18	93.50
	1247431	Brace, 3 cpe.45

BODY MOLDING COUPES

Item	Part No.	Description	Price
1	1298931	Hood ornament ..	3.95
2	1298932	Mldg. hood top ..	1.75
3	1298329	Fender mldg.	2.45
4	1246647	Door mldg.	1.75
5	1246409	Door handle	2.55
6	1249453	Body sill mldg., club cpe.	7.50
7	1299820	Fender shield, club cpe., P18	5.25
8	1246226	Rear fender mldg., club cpe., P18	3.20
9	1248049	Mldg. roof panel, 3 cpe., P17	3.25
9	1248218	Mldg. roof panel, club cpe., P18	3.75
	1253713	Fender name, spec. deluxe	1.05
	1253712	Name plate, deluxe ..	.85

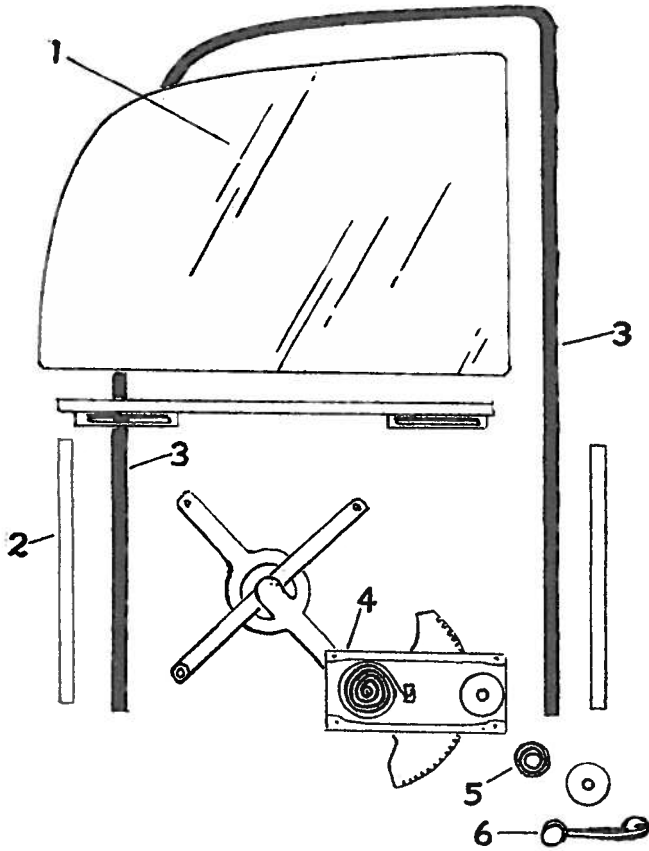


DOOR AND PARTS ASSEMBLY COUPES

Item	Part No.	Description	Price	Item	Part No.	Description	Price
1	1249203	Door assy., less trim hardware 3 cpe., P17.	47.50	6	1248039	Regitr. handle, 3 cpe.	2.00
1	1249325	Door assy., less trim hardware, club cpe., P18	47.50	7	1245789	Hinge, up.	1.55
2	1245639	Regitr. or plate ..	5.35	8	1245775	Hinge, low.	2.95
3	1245952	Run, door glass, club cpe.	P.O.A.	9	1242694	Lock assy.85
3	1245858	Door glass run, 3 cpe.	P.O.A.	10	1247912	Remote control ..	1.00
4	1245220	Div. channel	1.10	11	89796	Spring06
5	1245625	Door glass, club cpe., P17-18	P.O.A.	12	1249025	Escutcheon30
5	1245798	Door glass, 3 cpe., P17	P.O.A.	12	1246031	Escutcheon, club cpe., P1840
6	1246027	Regitr. handle, club cpe.	1.45	13	987067	Handle assy., P17-18 ..	.90
				14	1245212	Frame	2.75
				15	1245472	Retainer assy.	3.75
				16	1245165	Vent. glass	P.O.A.
				17	1255487	Div. mldg., out.35
				17	1255488	Div. mldg., in.40

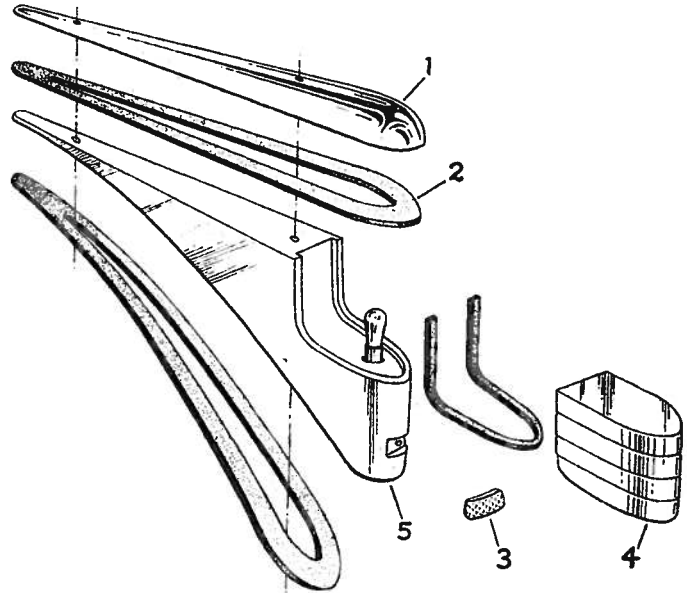
PLYMOUTH 1949 BODY PARTS

Series P17 and P18. ALL BODY STYLES



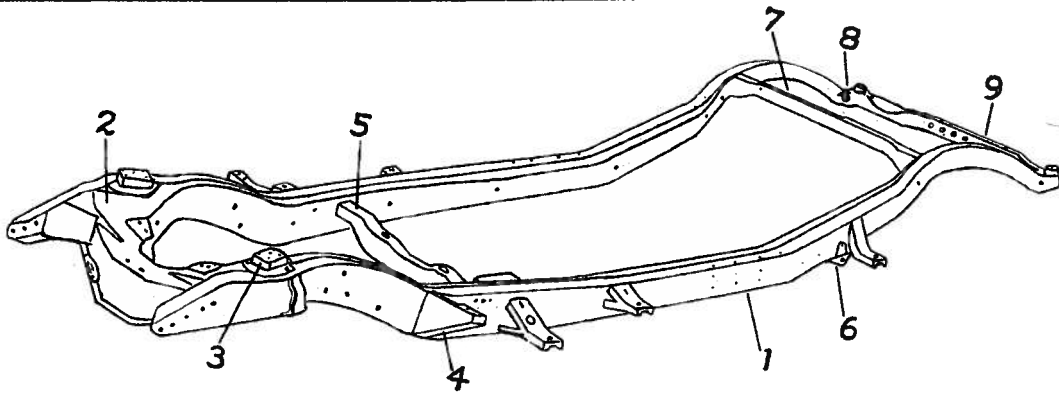
**REAR QUARTER WINDOW ASSEMBLY
COUPES**

Item Part No.	Description	Price	Item Part No.	Description	Price
1	1245169—Glass, club cpe. ...P.O.A.		4	1245763—Regltr., club cpe...	5.25
2	1246177—Midg. with w/strip, club cpe.	8.25	5	89796—Spring, club cpe.06
2	1248360—Midg. with w/strip, club cpe.	8.00	6	1246027—Handle, club cpe.	1.45
3	1246198—W/strip, in.60		1245838—Glass run assy.	
3	1246163—W/strip, out.60		1245945—Run retainer, front	
				1245850—Run retainer, rear	



TAIL AND SIGNAL LAMP ASSEMBLY

Item Part No.	Description	Price
1	1300560—Tail lamp cap, P18	2.65
	1302615—Lens mounting seal (exc. sta. wag.) P18	
2	1297715—Gasket (sta. wag.) P18	.10
3	1253173—Reflector, tail lamp, P18	.20
3	1300500—Reflector, tail lamp	.65
4	1300568—Lens, tail lamp	1.85
4	1297714—Lens, tail lamp, sta. wag.	.80
5	1300566—Housing, tail lamp (prime)	5.40
5	1297721—Housing, sta. wag.	4.75
5	1297713—Bezel, tail lamp, sta. wag.	2.13



FRAME ASSEMBLY

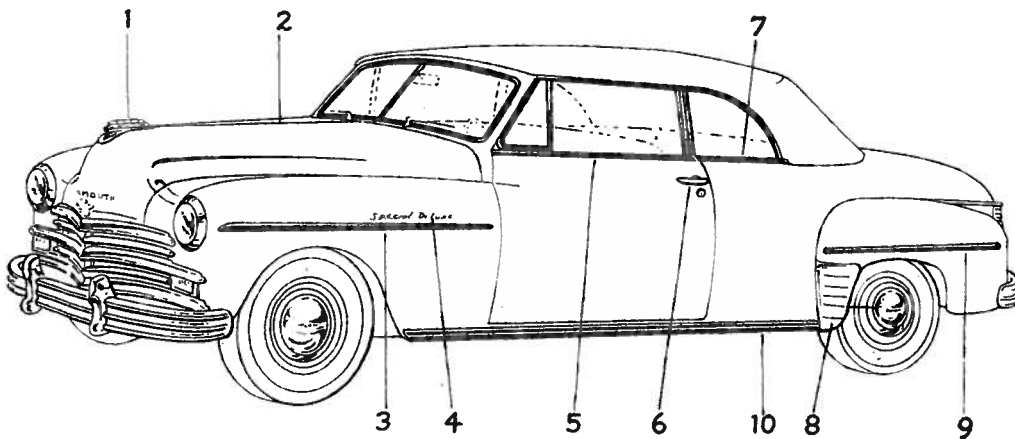
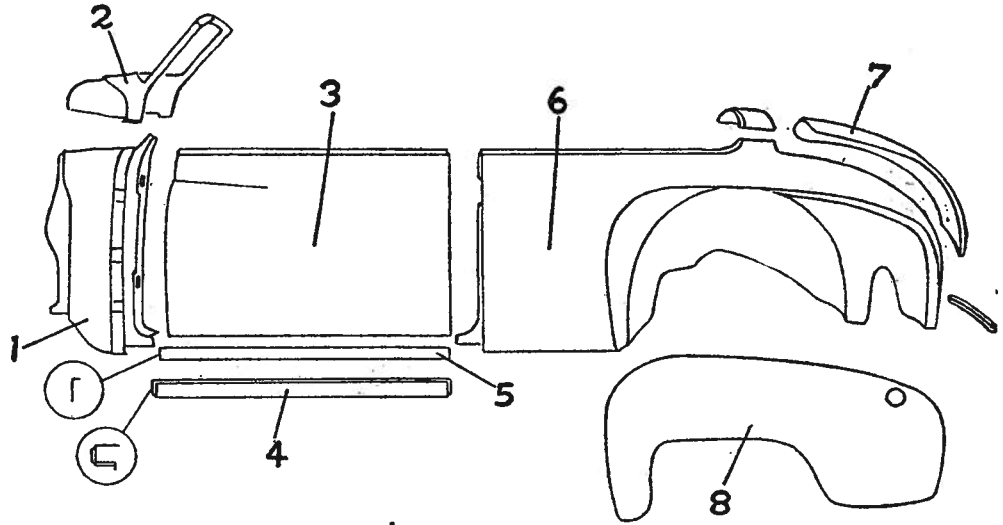
COUPES			CONVERTIBLE COUPE		
Item Part No.	Description	Price	Item Part No.	Description	Price
1	1137025—Frame assy., 3 cpe., P17	81.50	5	1137054—Crossmember, No. 2	5.10
1	1137024—Frame assy., club cpe., P18	85.00	6	1124576—Front hanger, rear sprg.	1.40
2	1141209—Front crossmember, No. 1	26.00	7	1141736—Intermediate crossmember	5.50
3	1312042—Support	1.10	8	1137077—Rear spring, rear hanger	1.25
4	1137165—Brkt., No. 2, P17-18	1.45	9	1140339—Rear crossmember, club cpe., 3 cpe.	4.05
4	1137183—Brkt., No. 4, P17	1.25	1	1138471—Frame assy., P18	80.00
4	1137175—Brkt., No. 5, P17	1.25	2	1141209—Front crossmember, No. 1	26.00
4	1137171—Brkt., No. 4, P18	1.65	3	1312042—Support	2.75
			5	1137054—Crossmember, No. 2	5.10
			6	1124576—Front, rear sprg. hanger	1.40
			7	1141736—Inter. crossmember	5.50
			8	1137077—Rear spring rear hanger	1.25
			9	1141753—Rear crossmember	6.75

BODY PARTS 1949 PLYMOUTH

Series P17 and P18. ALL BODY STYLES

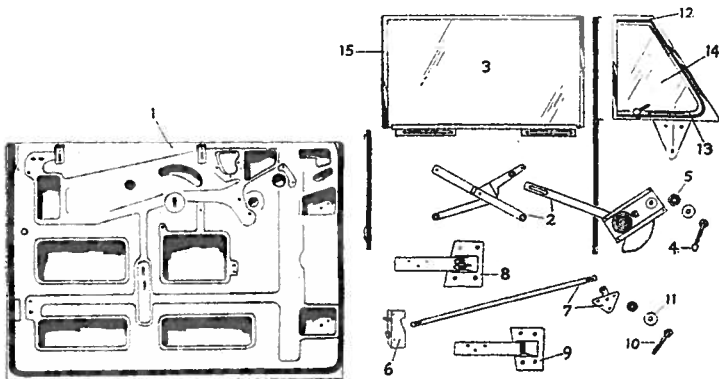
SHEET METAL—CONVERTIBLE

Item Part No.	Description	Price
1	1247867—Panel, cowl side ..	16.75
2	1247867—Cowl, up.	24.75
3	1303131—Panel, door repair	12.75
4	1245891—Panel, sill, out., P18	5.50
5	1247855—Panel, sill, in., P18	3.75
6	1249691—Panel, rear qtr. assy., P18	57.50
7	1303177—Deck lid	35.50
8	1243453—Fender, rear, P18	12.50
	1247431—Brace, fender, P17-1845



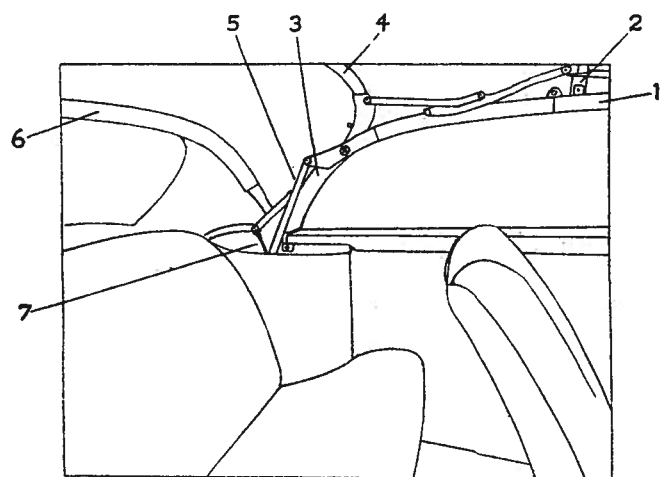
BODY MOLDING CONVERTIBLES

Item Part No.	Description	Price
1	1298931—Hood ornament ...	3.95
2	1298932—Mldg., hood top ...	2.25
3	1298325—Fender mldg., ...	2.25
4	1253713—Fender name, spec. deluxe	1.05
	1253712—Name plate, deluxe85
5	1248915—Door mldg., P18 ...	1.75
6	1247830—Door handle, P18 ...	2.70
7	1248599—Qtr. panel mldg., F. ...	1.75
7	1248601—Qtr. mldg., rear ...	1.35
8	1299820—Fender shield, P18	2.25
9	1246226—Rear fender mldg., P18	2.65
10	1249455—Body sill mldg., P18	7.50



DOOR AND PARTS ASSEMBLY CONVERTIBLE

Item Part No.	Description	Price	Item Part No.	Description	Price
1	1249207—Door, less trim hardware, P18	52.50	9	1245775—Hinge, low	2.95
2	1249651—Regltr. or plate	5.75	10	987067—Handle assy., P17-18	.90
3	1246635—Door glass, P18	P.O.A.	11	1246031—Escutcheon40
4	1246027—Regltr. handle, P18	1.45	12	1246625—Frame, vent. assy.	1.75
5	89796—Spring06	13	1254143—Retainer assy.	1.65
6	1242694—Lock assy.	3.35	14	1246628—Vent. glass	P.O.A.
7	1247912—Remote control	1.00	15	1246632—Frame, L., door glass	18.50
8	1245769—Hinge, up	1.55			

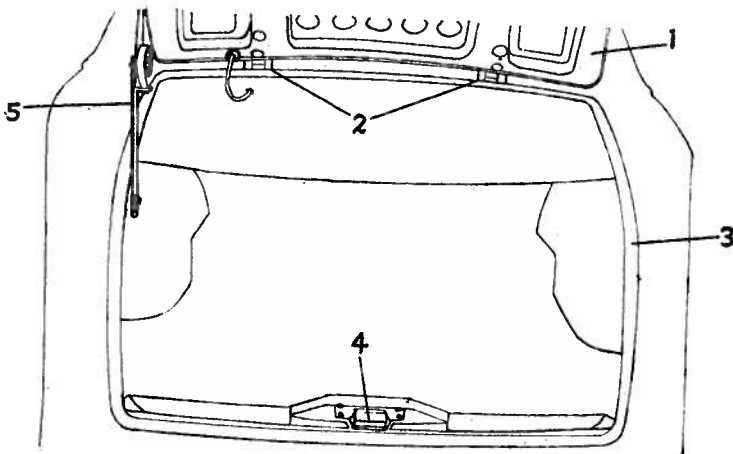


FOLDING TOP ASSEMBLY CONVERTIBLE COUPE

Item Part No.	Description	Price	Item Part No.	Description	Price
1	1248113—Side rail	5.00	5	1246335—Prop	2.25
2	1246995—Bow, No. 1	10.75	6	1248993—Rear bow assy.	14.75
3	1247443—Pillar	4.50	7	1249516—Cyl. assy., incl. yoke	12.75
4	1248144—Bow, No. 2	9.75			

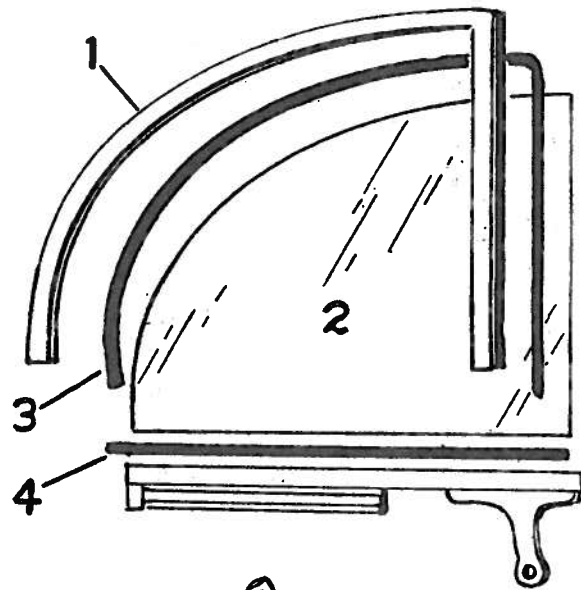
PLYMOUTH 1949 BODY PARTS

Series P17 and P18. ALL BODY STYLES



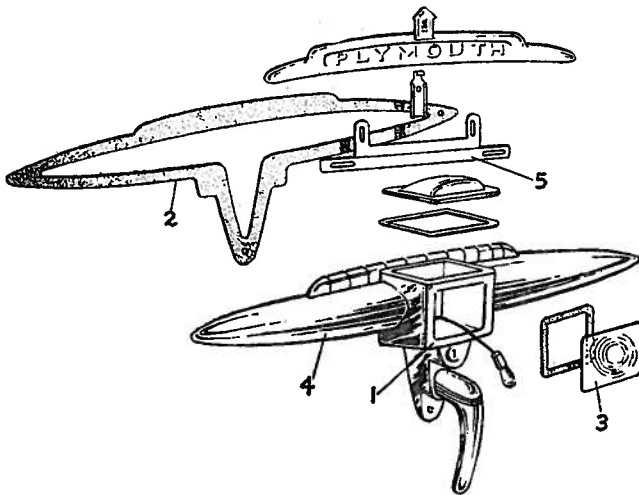
**DECK LID ASSEMBLY
CONVERTIBLE COUPE**

Item Part No.	Description	Price	Item Part No.	Description	Price
1	1303177—Deck lid assy., P18	35.50	1248986	Name plate	4.05
2	1303189—Hinge assy., P18..	4.50	1248374	Medallion, name plate	1.15
3	1245704—W/strip, P18	4.50	1244755	Handle, deck lid..	1.75
4	1299683—Catch	.40			
5	1303542—Prop, deck lid			



**REAR QUARTER WINDOW ASSEMBLY
CONVERTIBLE COUPE**

Item Part No.	Description	Price	Item Part No.	Description	Price
1	1247561—Frame	2.75	4	1248073—W/strip, low. chan.	.50
2	1245169—Glass	P.O.A.	1248819	Mldg. assy., white	4.50
2	1247605—Glass	P.O.A.	5	1248875—Reglgr.	3.75
3	1249017—W/strip, in.	1.35	6	89796—Spring	.06
3	1249015—W/strip, out.	1.25	7	1246027—Handle	1.45
3	1248035—W/strip, up.	1.35			

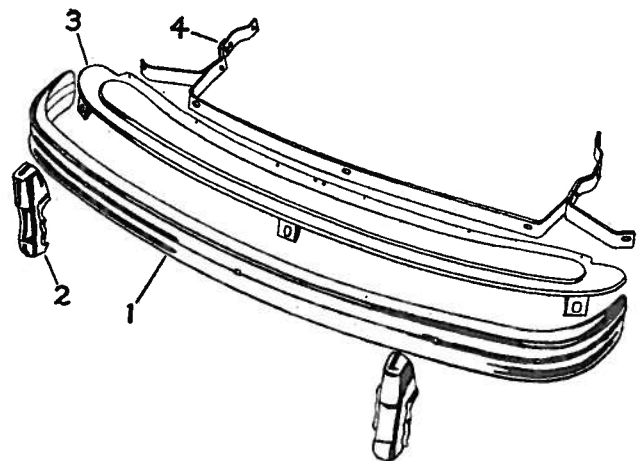
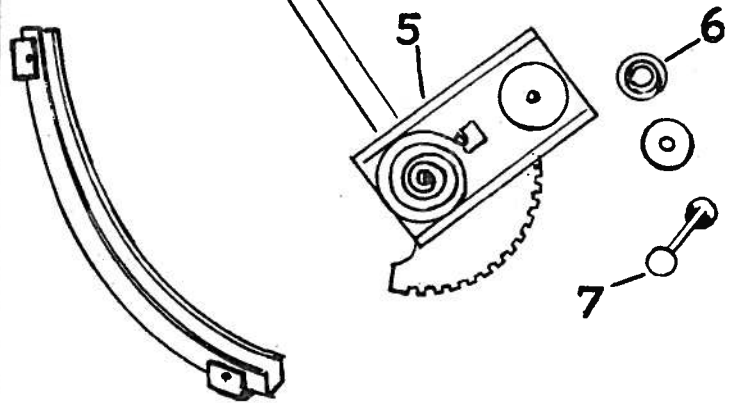


LICENSE LAMP ASSEMBLY

Item Part No.	Description	Price	Item Part No.	Description	Price
1	1244779—Bezel, lic. lamp	1.65	5	1257680—Lic. brkt. assy., sub. P17	.70
2	1244751—Gasket	.20	5	1257480—Lic. brkt., sta. wag.	.60
2	1257457—Gasket, sta. wag.	.10	5	1302583—Lic. brkt., P17	.60
3	1257468—Retainer, sta. wag.	.06	846797	Bumper, stop and lic. lamp, sta. wag.	.06
3	1257458—Lens, sta. wag.	.80	1257454	Lens, sta. wag.	.70
3	1244749—Lens	.50	1257455	Gasket, sta. wag.	.10
4	1253388—Shell, stop and lic., 3 cpe., P17-18	9.30	1257446	Bezel, sta. wag.	1.85
4	1297636—Body, stop lamp, sta. wag.	6.95	1257663	Retainer, stop light lens	.15
5	1244863—Lic. brkt., P17	.40			

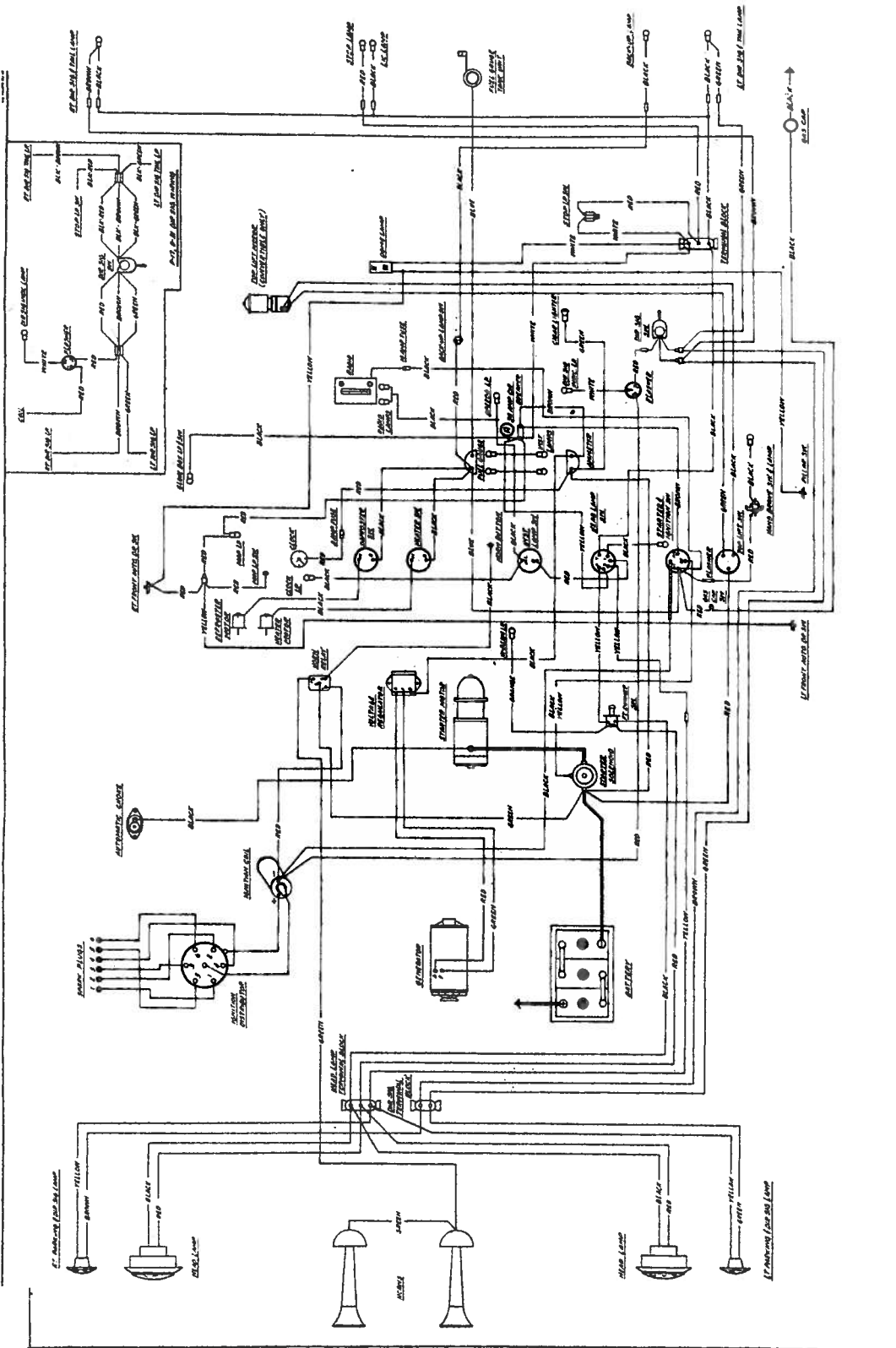
REAR BUMPER ASSEMBLY

Item Part No.	Description	Price	Item Part No.	Description	Price
1	1312235—Face bar, left, sta. wag., P18	15.25	3	1138755—Stone deflector, 3 cpe.	6.10
1	1314668—Face bar	27.50	3	1249789—Shield, rear bmprr., sub.	6.80
1	1311975—Face bar, 2 D. sed.	26.50	3	1312528—Stone deflector, sta. wag.	2.80
1	1311605—Face bar, sub.	26.50	4	1312237—Sup., rear bmprr., sta. wag.	5.50
1	1137683—Face bar, 3 cpe.	26.50	4	1311887—Sup. bar, 2 D. sed.	9.75
2	1313353—Buffer plate, sta. wag., P18	6.50	4	1137680—Sup. bar, 3 cpe.	9.75
2	1141807—Buffer plate	4.75	4	1314669—Sup. bar	9.75
2	1135010—Buffer plate, sub.	3.10	4	1311594—Sup. bar, sub.	3.75
3	1314679—Stone deflector	6.10			
3	1312003—Stone deflector, 2 D. sed.	6.10			



WIRING 1949 PLYMOUTH

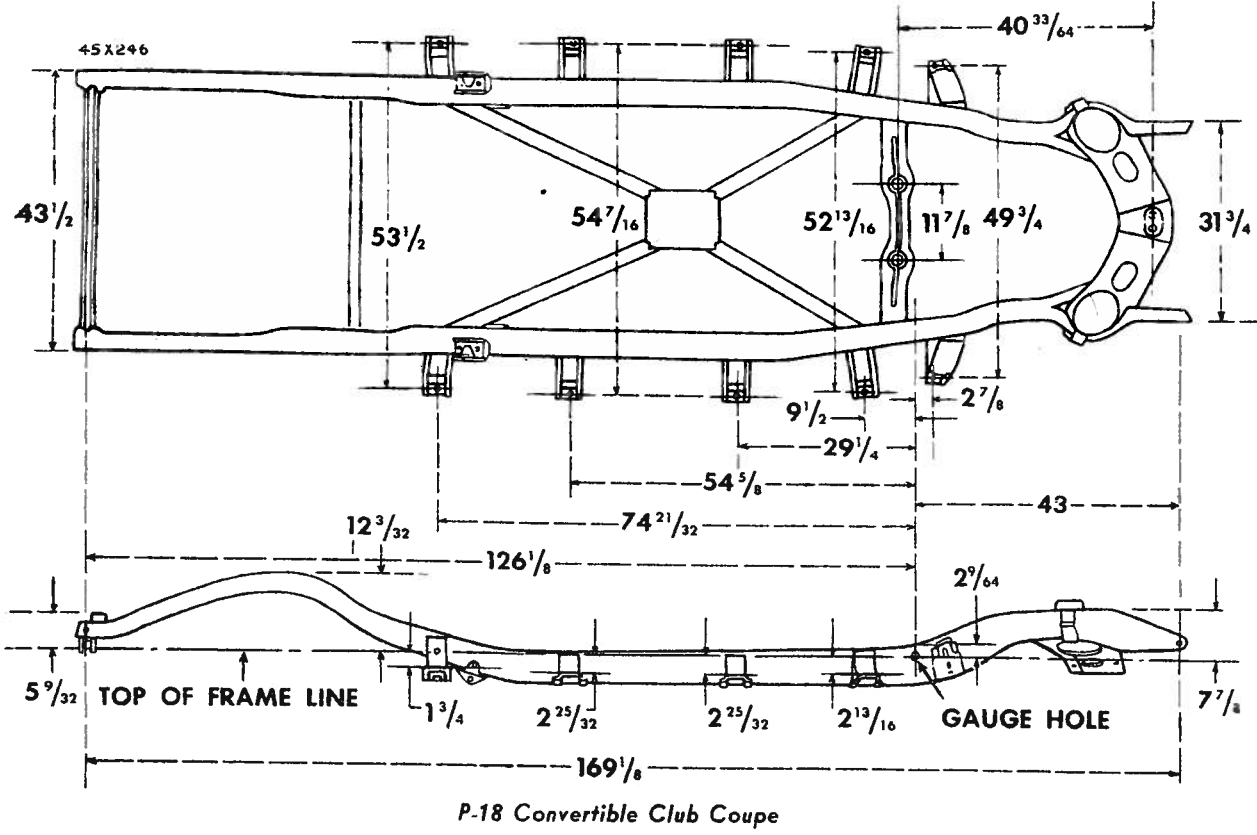
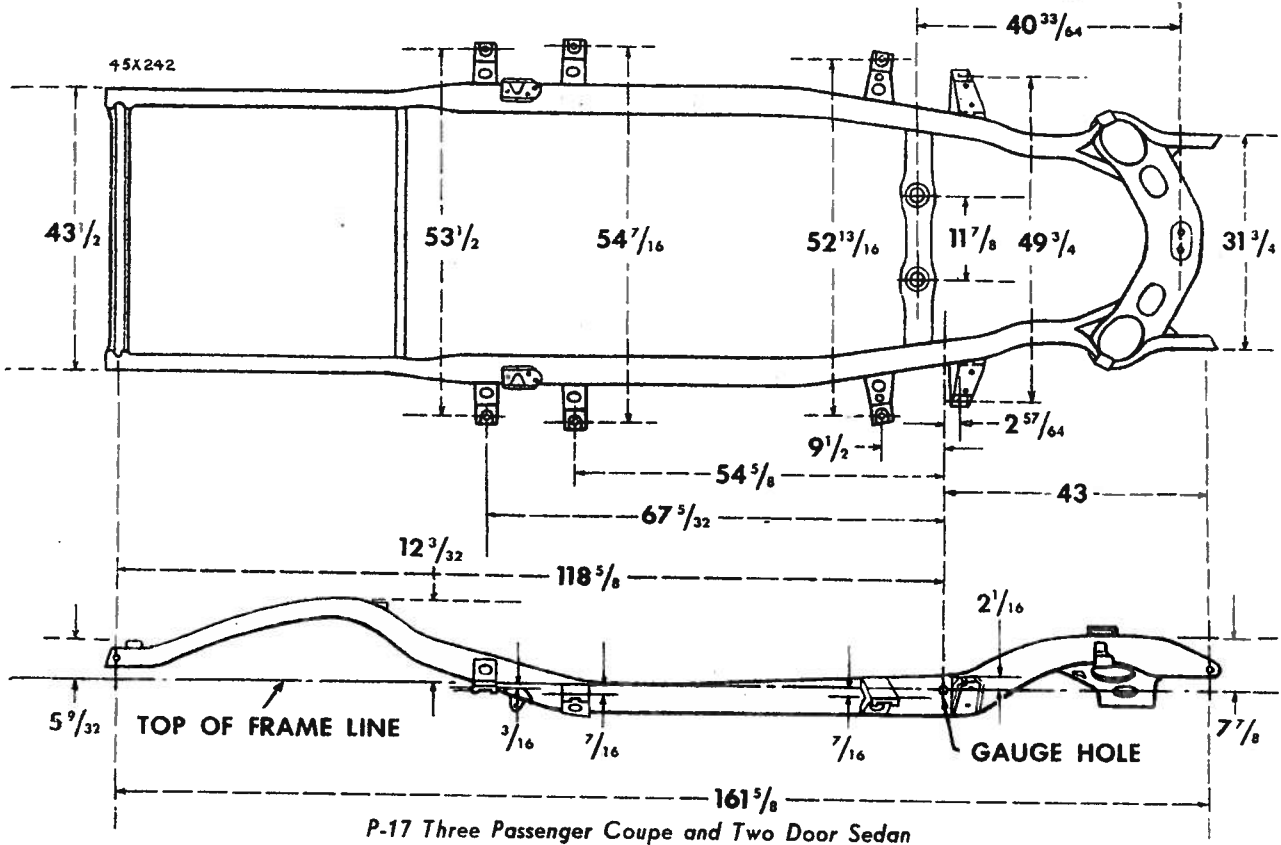
Series P17 and P18. ALL BODY STYLES



Chassis Wiring

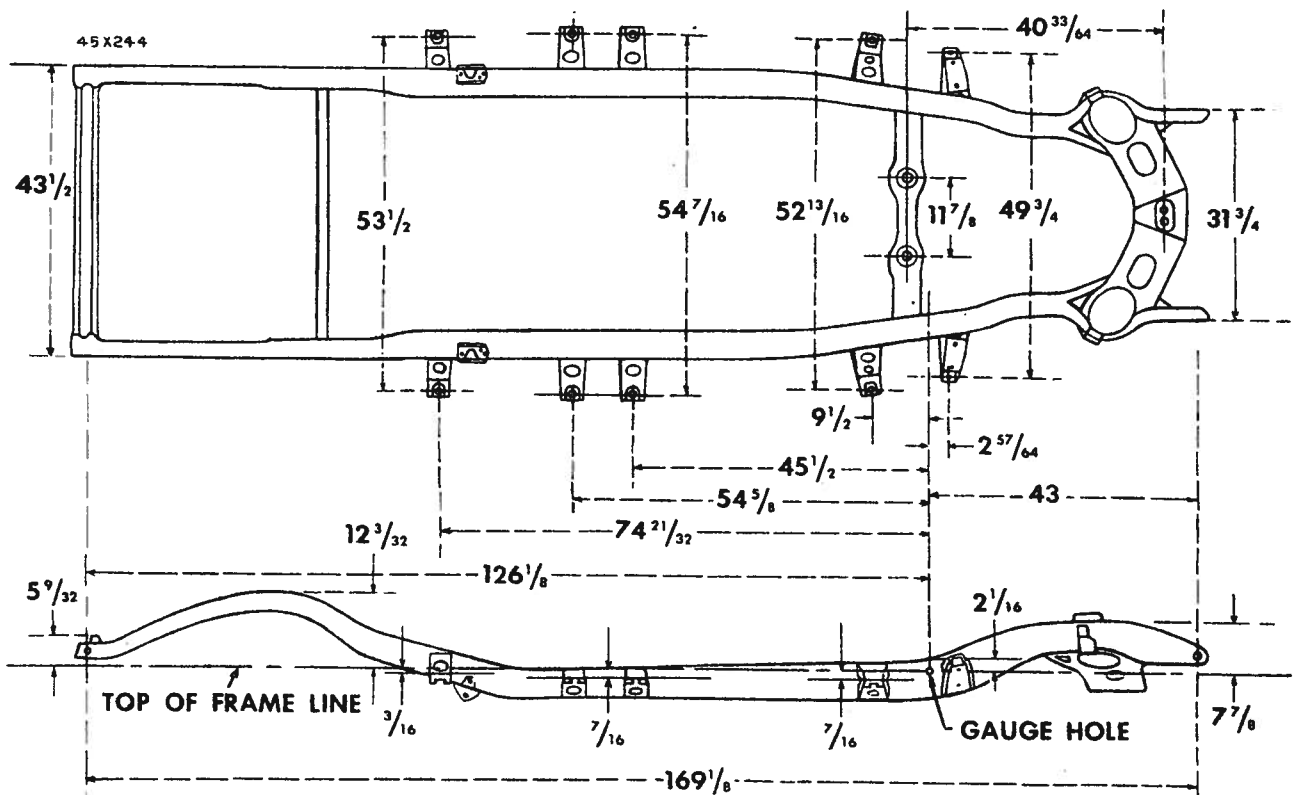
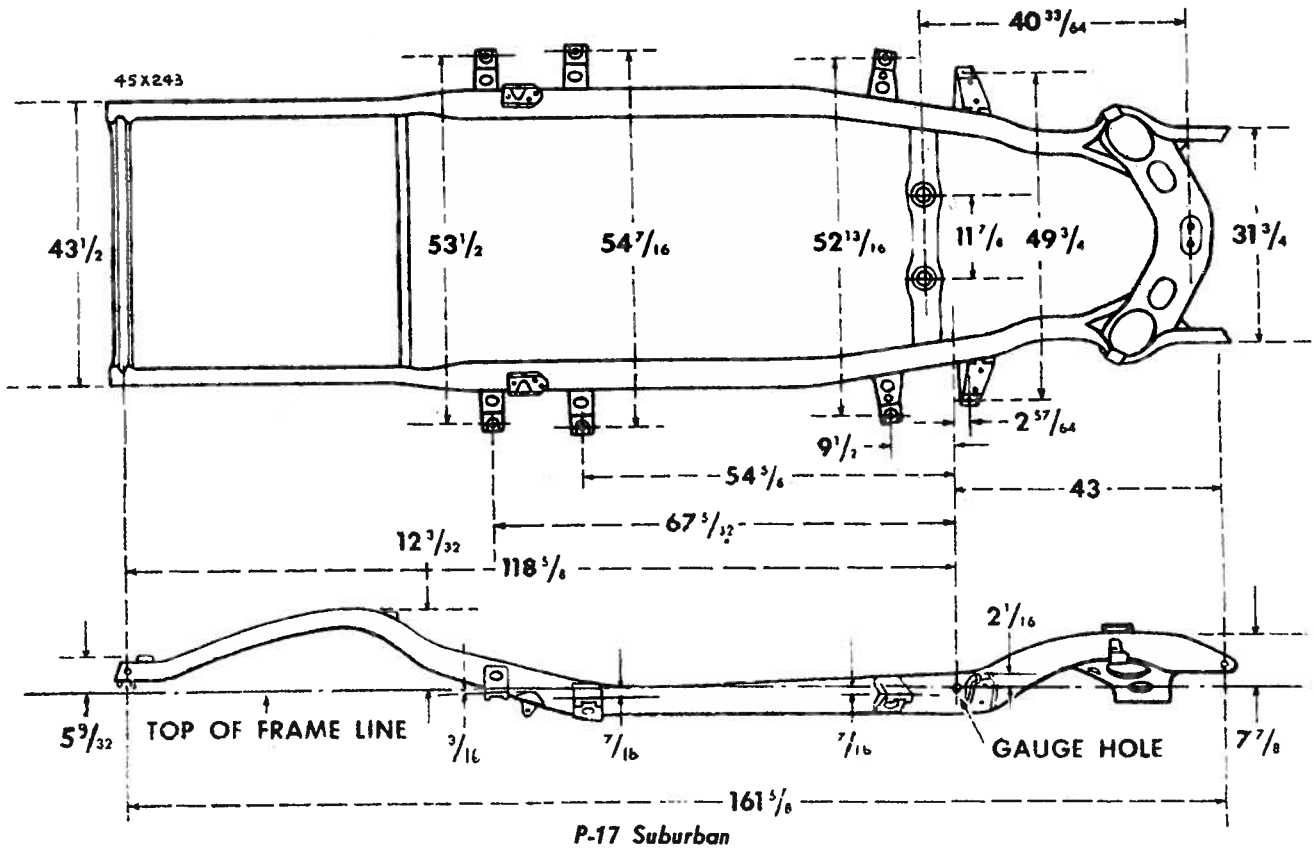
PLYMOUTH 1949 FRAME

Series P17 and P18. COUPE AND SEDAN BODY STYLES



FRAME 1949 PLYMOUTH

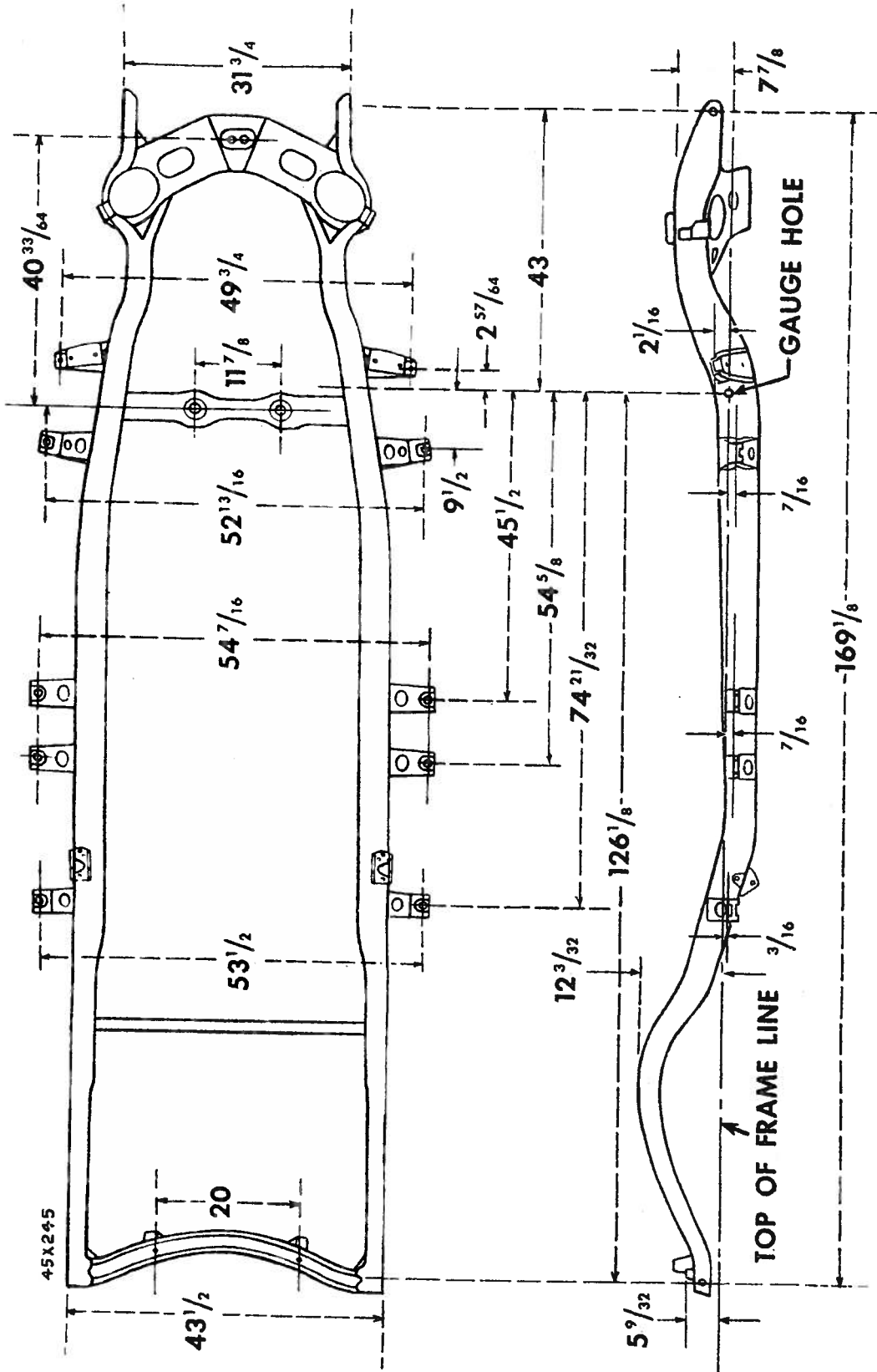
Series P17 and P18. COUPE AND SEDAN BODY STYLES



P-18 Club Coupe (DeLuxe and Special DeLuxe)
 Four Door Sedan (DeLuxe and Special DeLuxe)

PLYMOUTH 1949 FRAME

Series P18. STATION WAGON BODY STYLE



P-18 Station Wagon

FLAT RATE 1949 PLYMOUTH**Series P17 and P18. ALL BODY STYLES**

Chilton Job No.	Chilton Labor Price	Chilton Job No.	Chilton Labor Price	Chilton Job No.	Chilton Labor Price	Chilton Job No.	Chilton Labor Price	Chilton Job No.	Chilton Labor Price	Chilton Job No.	Chilton Labor Price	Chilton Job No.	Chilton Labor Price	Chilton Job No.	Chilton Labor Price	Chilton Job No.	Chilton Labor Price		
A		A—continued		A—continued		B—continued		C—continued		D		E—continued		E—continued		F—continued			
1	2.00	7	1.25	20x	10.00	9		3	20.00	1	3.00	2	22.00	12	12.00	2	12.00		
2	3.00	8	1.00			10		4	2.50	1a	2.75	3	15.00	13	3	15.00	3	20.00	
3	4.00	9	3.50			11	2.00	5	4.00	2	1.50	4	20.00	14	105.00	4	2.00	4	15.00
4	5.50	10				12	2.50	6	4.50	3	1.50	5		15	95.00	5	2.50	5	37.00
4a		11	3.00	B		13		7	3.00	4	14.00	6	80.00	16	80.00	6	1.50	6	8.00
4b	2.50	12	3.00	1	3.75	14	1.50	8	4.00	5	8.00	7	8.00	17	13.00	7	1.25	7	6.00
4c	4.50	13	1.50	1a	5.50	15	1.00	9		6	10.00	7x		18	12.00	8	3.00	8	55.00
4d	8.50	14		2	12.00			10		7x		8		19		9		9	35.00
5a	3.00	15	.75	3	15.00	C		11	4.25	19	10.00	9	55.00			10		10	35.00
5b	3.00	16		4	2.00	1	6.00	12	5.00	20	5.00	10	40.00			11	3.00	11	37.00
5c	5.00	17	1.25	5	2.50	2	13.00	13				11	40.00			12		12	10.00
5d	8.00	18	8.00	6	1.50	1	6.00	14	1.75	E		12	35.00	F		13		13	
6	12.00	19	6.00	7	1.25	2	13.00	15	1.25	1	85.00	13	37.00	1	3.75	14	1.50	14	
		20	6.00	8	3.00							14		1a	5.00				

STEERING GEOMETRY

CASTER: 1 degree negative to 1 degree positive.

CAMBER: Zero to $\frac{3}{4}$ degree positive. $\frac{1}{4}$ degree preferred.

TOE-IN: Zero to $\frac{1}{16}$ inches. Zero preferred.

KING PIN INCLINATION: $4\frac{3}{4}$ to 6 degree.

ADJUSTMENTS

CAMBER: is controlled by turning eccentric upper support bushing until correct adjustment is secured.

CASTER: Factory says not adjustable.

