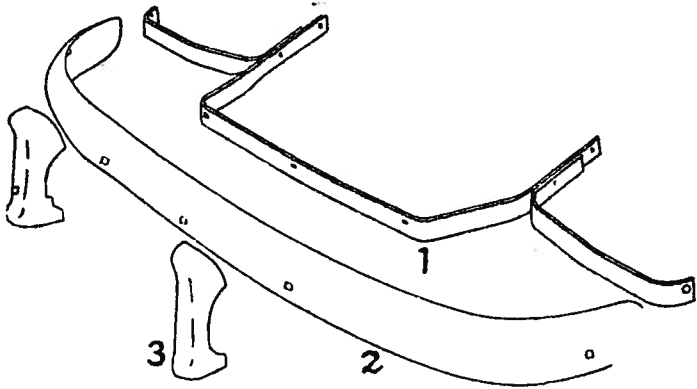


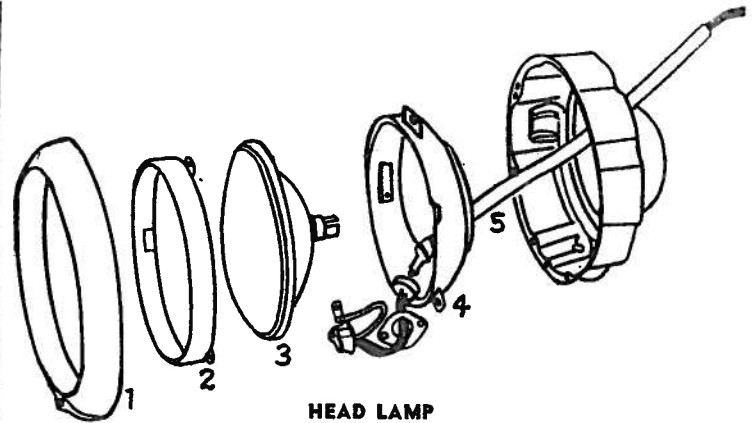
# PLYMOUTH 1946 to 1948 BODY PARTS

## Series P-15. ALL BODY STYLES



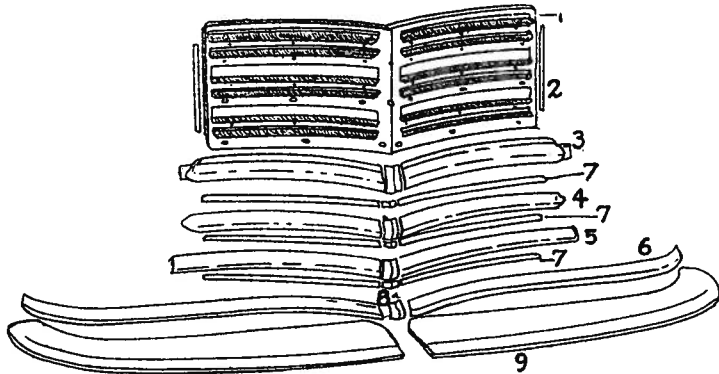
### FRONT BUMPER

Item Part No.	Description	Price	Item Part No.	Description	Price
1 1122327	Support bar	7.35	3 1064774	Guard	4.25
2 1115466	Face bar	16.75			



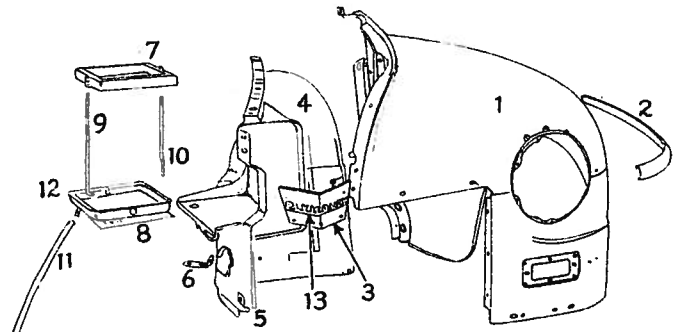
### HEAD LAMP

Item Part No.	Description	Price	Item Part No.	Description	Price
1 1148825	Headlamp door	3.20	4 946940	Seat assy.	1.55
2 946942	Ring, chrome	1.55	5 1149884	Cable socket	.80
2 946942	Ring, enamel	1.55	6 1154211	Shell assy.	2.40
3 853369	Sealed beam	1.25			



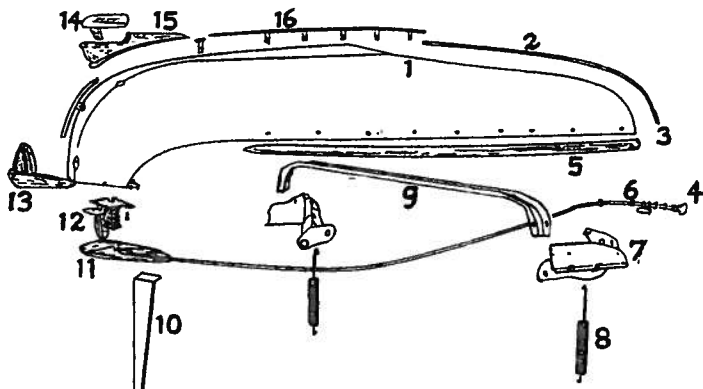
### GRILLE

Item Part No.	Description	Price	Item Part No.	Description	Price
1 1065543	Grille panel	29.75	8 1156652	Cover, up.	.95
2 313073	Anti squeak		8 1156655	Cover, up.	.90
3 1156651	Midg. grille, up.	3.75	8 1156658	Cover, lower	.90
4 1156654	Midg., up.	3.75	8 1065772	Cover, lower	.75
5 1156657	Midg., lower	3.75	8 1156665	Cover, small	.70
6 1065524	Midg., lower	4.50	9 1065762	Deflector, white	1.80
7 1156662	Midg., small	1.10			



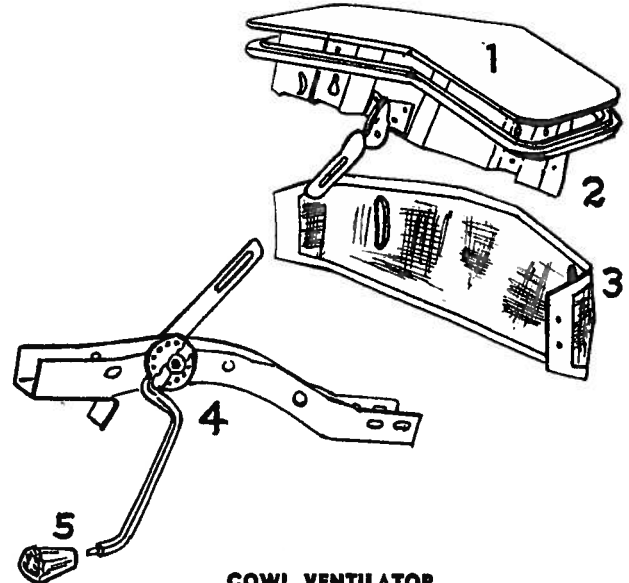
### FRONT FENDER

Item Part No.	Description	Price	Item Part No.	Description	Price
1 1065889	Fender		8 957449	Anti squeak	.25
2 1065542	Midg.	2.20	9 865415	Hold down	.40
3 1065880	Panel	2.65	10 953654	Stud	.40
4 1123868	Shield	11.65	11 869357	Tube	.15
6 953864	Seal	.25	12 957777	Tray	.85
6 953899	Bracket	.15	13 1065759	Name ctr. panel	2.25
7 868132	Strap	.60			



### HOOD

Item Part No.	Description	Price	Item Part No.	Description	Price
1 1158823	Panel	23.50	10 1153975	Brace	.45
2 747877	Strip	08 FL.	11 972721	Lock, up. half	1.05
3 1065788	Clip	.03	11 1158247	Lock, up. half	1.05
3 1157562	Clip	.06	11 951815	Lock, low. half	1.25
3 974346	Clip	.03	12 1158513	Catch assy.	2.30
4 1148839	Knob wire assy.	.85	13 1149072	Name plate	2.30
6 941504	Support	.10	14 1149741	Insert	1.55
7 951924	Hinge	2.90	15 1065766	Ornament	4.05
8 976535	Spring	.65	16 1065758	Hood midg.	.20
9 973062	Strainer	1.45			



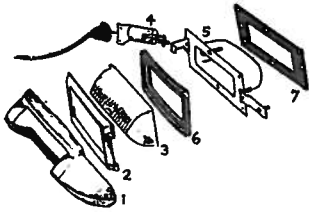
### COWL VENTILATOR

Item Part No.	Description	Price	Item Part No.	Description	Price
1 939860	Cowl vent assy.	3.45	4 951715	Support	2.20
2 873278	W/strip	.75	5 1152439	Knob, exc. sta.wag.	.45
3 872675	Screen	.85			

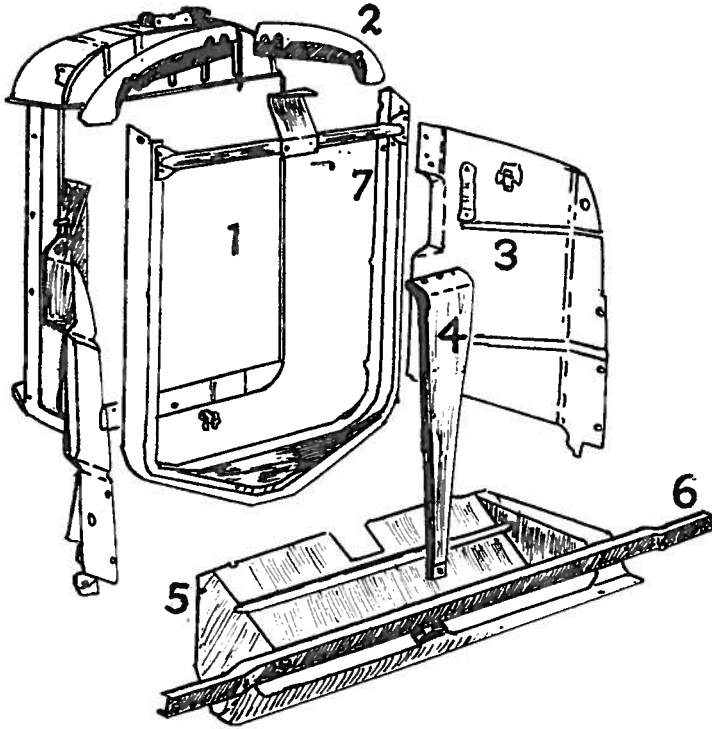
# BODY PARTS 1946 to 1948 PLYMOUTH

## Series P-15. ALL BODY STYLES

### PARKING LAMP

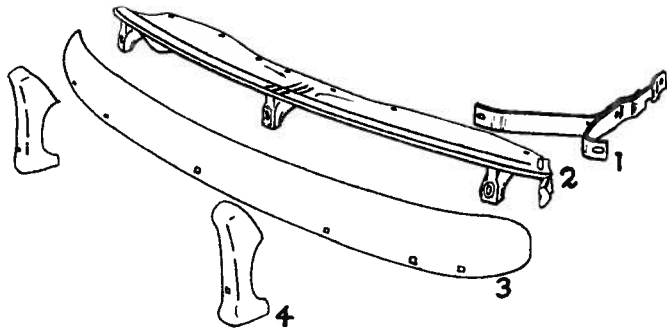


Item Part No.	Description	Price
1 1148002	Bezel	2.48
2 1161420	Retainer	.30
3 1148862	Lens	.40
4 1161426	Cable w/o div. sig.	1.20
4 1161492	Cable w. div. sig...	1.75
5 1148864	Housing assy.	1.55
6 1149380	Gasket	.06
7 1148858	Gasket	.30



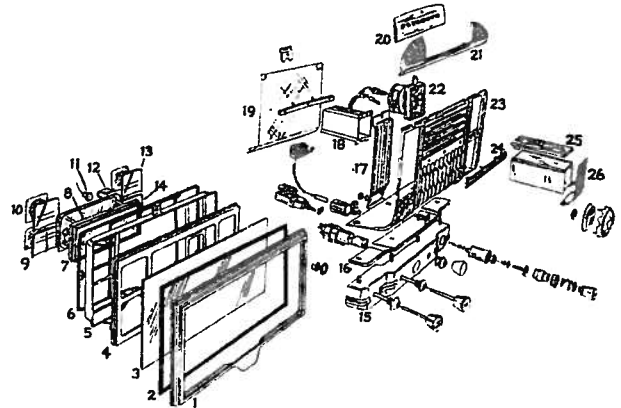
### RADIATOR

Item Part No.	Description	Price	Item Part No.	Description	Price
1 947450	Rad. core	66.15	5 1065881	Shield	1.75
2 973582	Rad seal	.15	6 1065878	Cross bar	1.25
3 1065894	Shield, L.	2.00	7 1162197	Support	5.50
4 1153975	Brace	.45			



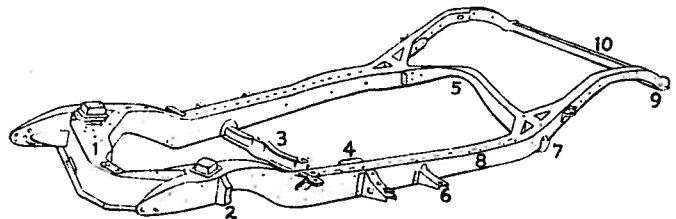
### REAR BUMPER

Item Part No.	Description	Price	Item Part No.	Description	Price
1 953810	Support, L.	2.90	2 956195	Deflector, sta. wag.	5.20
1 1122136	Support, L., sta. wag.	2.90	3 1125740	Face bar	18.75
2 953834	Deflector	4.60	3 954943	Face bar, sta. wag.	16.50
2 1152483	Deflector	4.60	4 1128504	Buffer	4.25



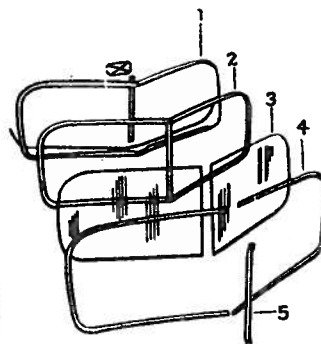
### INSTRUMENT PANEL ALL MODELS

Item Part No.	Description	Price	Item Part No.	Description	Price
1 974470	Bezel	1.45	17 972972	Cover	.45
2 898445	Gasket	.10	18 972816	Housing	.40
3 974466	Lens	.60	19 1065807	Screen, P.15-C	1.40
4 1154389	Plate	1.65	19 1149425	Screen, P.15-S	1.40
5 974472	Housing	1.60	20 1065803	Name plate	1.45
6 974473	Gasket	.10	21 1065777	Midg., Body No. 3462 cv. cpe.	2.60
7 1149337	Speedometer	11.50	21 1158721	Midg., Body No. after 3462 cv. cpe.	3.50
8 1154397	Dial	1.15	21 1149294	Midg., ctr., P.15-S	1.15
9 1149323	Ammeter	2.25	21 1065789	Midg., ctr., P.15-C	2.10
10 1149326	Oil gage	2.45	22 1148013	Clock, P.15-C	16.95
11 643691	Socket	.25	23 1149124	Grille, ctr., P.15-S	4.90
12 1154280	Housing	.70	23 1149124	Grille, ctr., P.15-C	4.90
13 1149325	Gage, fuel	3.75	24 1234472	Midg., ctr., P.15-S	.70
14 1149324	Radimeter	4.35	24 1234472	Midg., ctr., 10.15-C	.70
14 1163788	Radimeter	4.35	25 951770	Ash receiver	.80
14 1149331	Radimeter	4.35	26 973328	Plate	1.10
14 1163789	Radimeter, page 83	4.35			
15 1149755	Panel	2.60			
16 975112	Anti squeak	.70			



### FRAME

Item Part No.	Description	Price	Item Part No.	Description	Price
1 959346	Crossmember, F.	17.25	6 952914	Brkt., exc. cv. cpe.	.85
2 862693	Brkt.	.35	6 865599	Brkt., exc. cv. cpe.	.35
3 952347	Crossmember No. 2	5.10	6 867712	Brkt., cv. cpe.	.60
4 952345	Brkt., exc. cv. cpe.	.85	7 864322	Hanger, F. R.	1.40
4 952926	Brkt., cv. cpe.	1.05	8 956113	Frame assy., exc. cv. cpe.	66.15
5 864337	Crossmember No. 3	5.50	8 958049	Frame, cv. cpe.	86.25
6 864372	Brkt.	4.05	9 862899	Hanger, rear	1.00
6 952948	Brkt., exc. cv. cpe.	2.00	10 862705	Crossmember, rear	4.05
6 952918	Brkt., 4-D. ed.	.85			

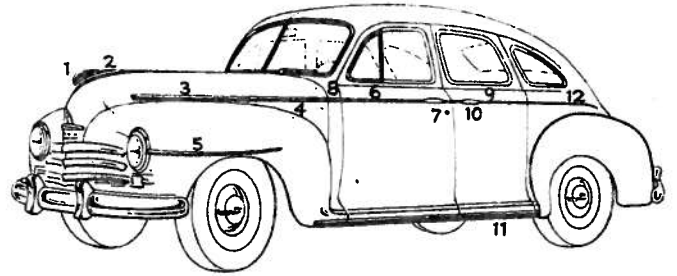
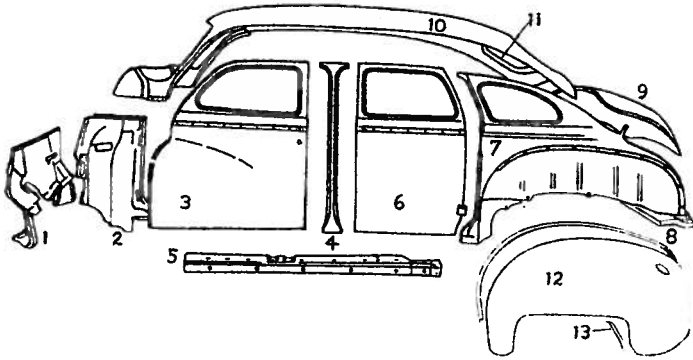


### WINDSHIELD 4-DOOR SEDANS

Item Part No.	Description	Price
878611	Clip, up.	.10
878612	Clip, lower	.10
4 848411	Midg., 4-d. town.	1.45
4 974784	Midg., sta. wag.	2.75
5 897087	Bar, finished	1.40
5 848408	Bar, white	.85
3 848405	Glass P.15	P.O.A.
2 848407	W'strip	6.50
2 848408	W'strip	6.50
2 974768	W'strip, sta. wag.	4.90
1 1131602	Midg., finished	4.05
1 1131605	Midg., sta. wag.	5.20
878059	Welt, 4-d. 4-d. town	1.25

# PLYMOUTH 1946 to 1948 BODY PARTS

## Series P-15. ALL BODY STYLES

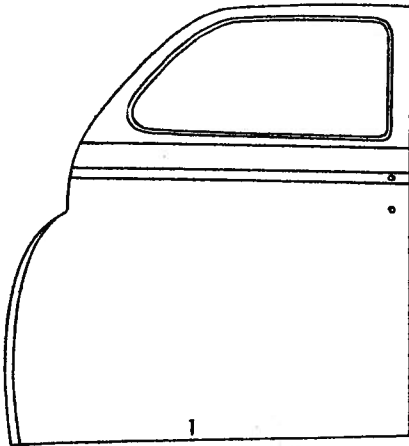


### BODY SHEET METAL 4 DOOR SEDAN

Item Part No.	Description	Price	Item Part No.	Description	Price
1 1155837	Dash panel, P15	9.20	8 944173	Rear end panel, 4D., 4D. town	5.70
1 1155838	Dash, P15	9.20	9 1152689	Deck Lid., 4D, 4D town	31.50
2 943559	Cowl panel, P15	11.20	10 988239	Roof assy., 4D	66.15
2 977314	Cowl panel complete sta. wag.	23.00	10 850819	Repair panel, 4D., 4D. town	32.20
3 977505	Door, repair panel, 4D., 4D. town	9.25	11 943015	Trough	1.25
4 943092	Pillar, 4D.	8.05	12 1148650	Rear fender	12.50
4 943128	Pillar, 4D. town	8.90	12 1162474	Fender, sta. wag.	13.50
5 943451	Sill assy.	.80	13 981114	Brace	.30
6 977505	Rear door, repair panel	9.25	13 981118	Brace, sta. wag.	.40
7 977268	Quarter panel, 4D.	34.20	657825	Cover	.30
7 977262	Panel, 4D. town	36.25			

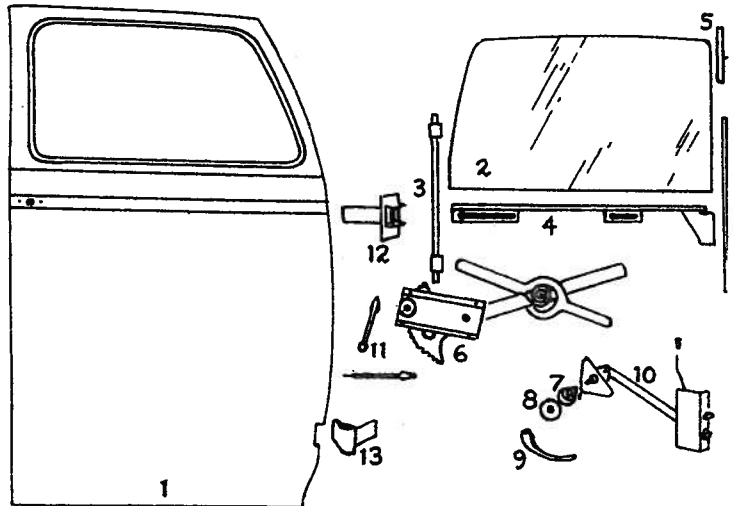
### BODY MOULDING 4 DOOR SEDANS

Item Part No.	Description	Price	Item Part No.	Description	Price
1 1065766	Ornament	4.05	8 1234236	Cowl midg.	2.05
2 1149741	Insert	1.55	9 1065834	Door midg., rear, 4D. town	1.45
3 1065758	Hood midg.	.20	9 1065832	Midg., 4D.	1.05
3 1065779	Midg. hood side	2.35	10 1161290	Handle, 4D. town	2.05
4 1148645	Name plate, P15S	1.05	10 1161293	Handle, 4D.	2.25
4 1148646	Name plate, P15C	1.25	11 1149183	Sill midg.	7.25
4 1085759	Name plate	1.25	11 1065838	Midg., 4D. town P15C	2.05
5 1065989	Fender midg.	2.30	12 1065836	Quarter panel, midg., 4D. P15	1.45
6 1065827	Door midg., F. 4D. town P15C	1.45			
6 1065825	Midg., 4D.	1.20			
7 1161291	Handle, exc. sta.				



### FRONT DOOR ASSEMBLY 4 DOOR SEDANS

Item Part No.	Description	Price	Item Part No.	Description	Price
1 976881	Door assy. P.15	33.05	8 1152361	Handle P.15-S	1.00
1 976883	Door, 4D. town P.15-C	34.50	8 1152364	Handle	1.00
1 1064807	Door	83.40	9 1152366	Escutcheon P.15-C	.35
1A 944018	Door hinge upr.	1.75	11 943888	Lock link assy. 4D. town	2.25
1A 943870	Door hinge, lower	1.30	12 943887	Lock assy. 4D. town	2.25
2 944095	Glass, P.O.A.	1.85	12 944055	Lock, 4D.	2.25
3 1152244	Channel, P.15	1.85	1161291	Handle outside, P.15	2.00
3 1152248	Channel, 4D. town P.15-C	1.85	13 998647	Remote control	.65
3 1162092	Channel	.80	14 89796	Spring	.06
3 977029	Channel, 4D. town	.80	15 1152366	Escutcheon	.35
4 945421	Run assy.	1.00	16 987067	Handle inside	.90
4 945423	Run, 4D. town P.15-C	1.10	17 848857	Vent. frame	1.75
5 1162098	Extension run	.30	17 848859	Frame 4D. town	3.15
6 944528	Roller lower	.55	18 848698	Glass 4D., 4D. town	P.O.A.
7 944725	Regulator	2.20	18 974759	Glass sta. wag.	P.O.A.
7 944049	Regulator, 4. D. town P.15-C	2.60	1152264	Vent. bar	2.30
			848660	Vent. bar. sta. wag.	2.75

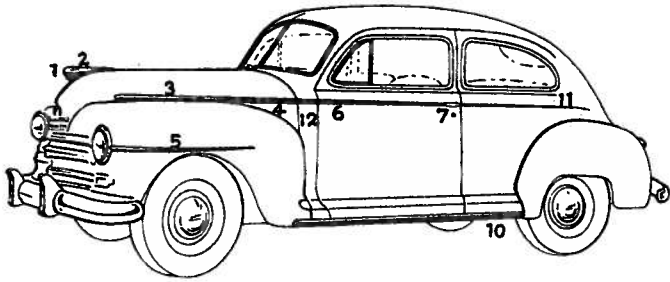


### REAR DOOR ASSEMBLY

Item Part No.	Description	Price	Item Part No.	Description	Price
1 992026	Door assy., P15-S	35.00	5 943478	Runs, 4D. P15-S	1.9
1 976895	Door assy., P15-C	35.00	5 945597	Runs, 4D. P15-C	1.2
1 976897	Door assy., P15-C, 4D. town	36.50	944304	Retainer	.1
1 1064809	Door with hardware trim, glass P.15	85.50	6 897174	Regulator, P.15	2.0
2 848690	Door glass, P15		6 896760	Regulator, 4. D. town P.15-C	2.3
2 944129	Door glass, P15, 4D. town		7 89797	Spring	.0
3 977177	Channel, front, 4D. P15-S	.75	8 1152366	Escutcheon, P.15-C	.3
3 977199	Channel rear, P15-S	.75	8 1152363	Escutcheon, P.15-S	.3
3 977045	Channel front, 4D. town P15-C	.75	9 1152361	Inside handle, P.15-S	1.0
3 944451	Channel rear, 4D. town P15-C	.80	9 1152364	Inside handle, P.15-C	1.0
4 850323	Channel lower, P15-S	.85	10 998645	Lock remote control, 4D.	2.7
4 944613	Channel lower, P15-C	2.50	10 944291	Lock remote control, 4D. town	.7
4 944573	Channel lower, P15-S		11 987067	Handle inside	.9
			12 943757	Door hinge, upr.	2.0
			13 943411	Door hinge, lower	.6

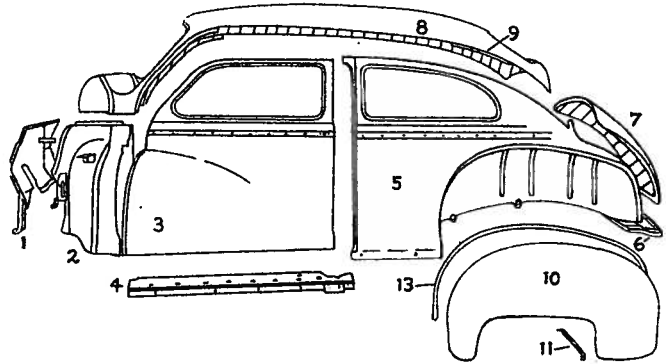
# BODY PARTS 1946 to 1948 PLYMOUTH

## Series P-15. ALL BODY STYLES



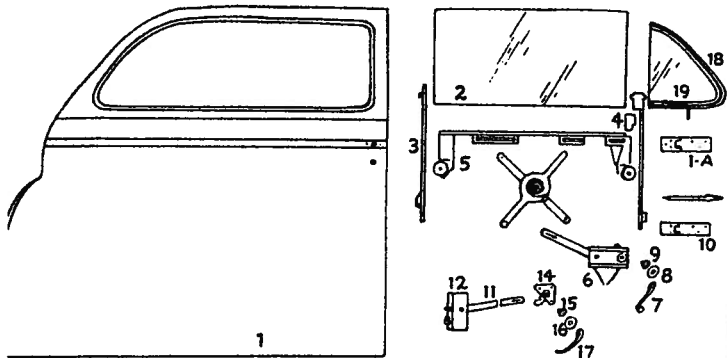
### BODY MOULDINGS 2 DOOR SEDANS

Item Part No.	Description	Price	Item Part No.	Description	Price
1 1065766	Ornament	4.05	5 1065889	Fender mldg.	2.30
2 1149741	Insert	1.55	6 1065829	Door mldg. F.	1.45
3 1065758	Hood mldg.	.20	7 1161291	Handle	2.00
4 1065779	Mldg.	2.35	10 1149183	Sill mldg.	7.20
5 1148645	Name plate P15-S	1.06	11 1065840	Quarter panel mldg., 2D. UTL.	2.00
6 1148646	Name plate P15-C	1.25	12 1234235	Cowl Mldg.	.50
7 1065759	Name plate	1.25			



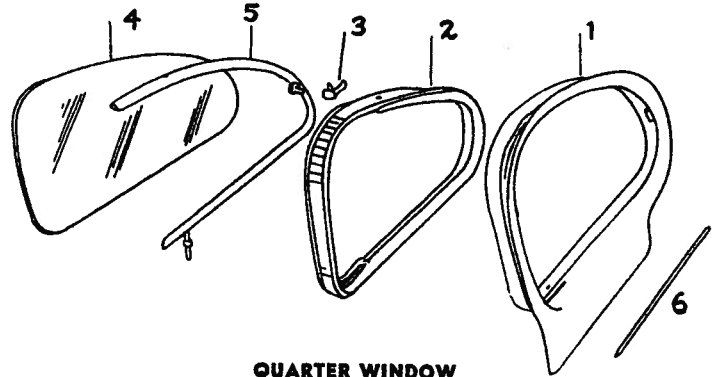
### BODY SHEET METAL 2 DOOR SEDANS

Item Part No.	Description	Price	Item Part No.	Description	Price
1 1155837	Dash panel	9.20	7 1152689	Deck lid, 2D. UTL. sed.	31.50
1 1155838	Dash	9.20	8 988239	Roof assy., 2D.	66.15
2 943559	Cowl panel	11.20	8 850819	Repair panel	32.20
3 977505	Door repair panel, 2D. OTL. sed.	9.25	9 943015	Trough	1.25
4 943447	Sill assy.	6.90	10 1148650	Fender	12.50
5 977266	Quarter panel	40.25	11 981114	Brace	.30
6 944173	Rear end panel, 2D. UTL. sed.	5.70	12 657625	Cover	.80
			13 975973	Welt	1.70



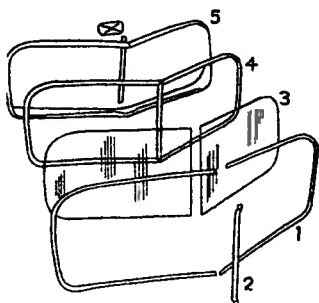
### DOOR ASSEMBLY 2 DOOR SEDANS

Item Part No.	Description	Price	Item Part No.	Description	Price
976885	Door assy. UTL sed.	34.50	8 1152366	Escutcheon, P.15-C	.35
1064811	Door assy.	88.00	9 89796	Spring	.06
944018	Hinge upr.	1.75	10 943670	Hinge lower	1.30
849005	Glass	P.O.A.	11 944050	Lock link assy.	2.25
1152252	Channel P.15	2.15	12 944051	Lock	2.25
1162092	Channel	.80	1161291	Handle outside	2.00
977075	Channel, UTL sed.	.75	14 998647	Remote control	.65
945425	Run assy. UTL sed.	1.20	15 89796	Spring	.06
1162096	Extension run	.30	16 1152366	Escutcheon	.35
944528	Roller lower	.55	17 987067	Handle inside	.90
944559	Regulator	2.00	18 848857	Vent. frame	1.75
1152361	Handle, P.15-S	1.00	19 848698	Glass	P.O.A.
1152364	Handle, P.15-C	1.00	1152264	Vent. bar	2.30



### QUARTER WINDOW 4-DOOR SEDANS

Item Part No.	Description	Price	Item Part No.	Description	Price
1 1151646	Mldg., P.15-S	3.15	1 1151656	Mldg., club cpe. P.15-C	5.45
1 1151776	Mldg., P.15-C	5.00	1 1154087	Mldg., club cpe. P.15-C	5.45
2 849768	W'strip, P.15-S	1.25	1 873398	Mldg., 3 cpe. P.15-C	1.50
3 893671	Handle	.60	1151788	Ornament, club cpe. P.15-C	1.60
4 850055	Glass	P.O.A.	2 851785	W'strip, 3 cpe.	1.10
5 849781	Frame	2.00	2 981392	W'strip, club cpe.	.60
			2 981394	W'strip, club cpe.	.60
			4 873396	Glass, 3 cpe. P.O.A.	P.O.A.
			4 947769	Glass, club cpe. P.O.A.	P.O.A.



### WINDSHIELD 2-DOOR SEDANS

Item Part No.	Description	Price
878611	Clip, up.	.10
878612	Clip, lower	.10
1 848411	Mldg.	1.45
2 897087	Bar, finished	1.40
2 848408	Bar, white	.85
3 848405	Glass, P.15	P.O.A.
4 848407	W'strip	6.50
4 848406	W'strip	6.50
5 1151602	Mldg., finished	4.05
878059	Welt	1.25

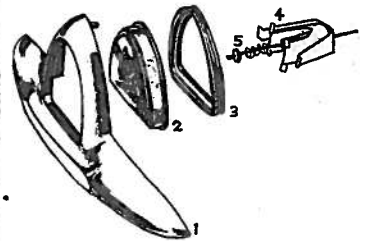
### COUPES

878611	Clip, up.	.10
878612	Clip, power	.10
1 848411	Mldg., club cpe. 3 cpe. P.15-C	1.45

Item Part No.	Description	Price
2 897087	Bar, finished	1.40
2 848408	Bar, white	.85
3 848405	Glass, P.15	P.O.A.
4 848407	W'strip, club cpe. 3 cpe.	6.50
4 848406	W'strip, club cpe. 3 cpe.	6.50
5 1151605	Mldg., finished	5.20
878059	Welt, club cpe. 3 cpe.	1.25

### CONVERTIBLE COUPE

878611	Clip, up.	.10
878612	Clip, lower	.10
1 848767	Mldg., P.15-C	1.45
2 910857	Bar, finished P.15-C	1.85
2 848764	Bar, white	.95
3 848762	Glass, P.15-C	P.O.A.
4 848763	W'strip	4.05
5 848768	Mldg., white	4.90

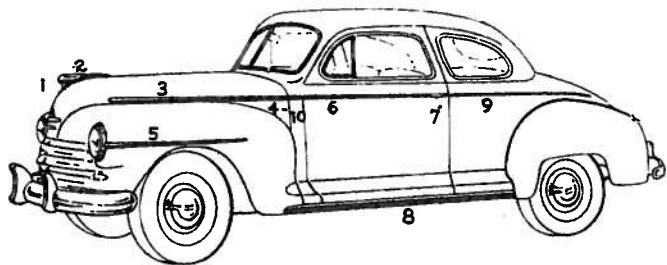


### SIGNAL LAMP

Item Part No.	Description	Price
1 1148894	Shell, chrome	1.35
2 1148877	Lens	.70
3 1148896	Gasket	.30
4 857420	Socket	.40
5 1163860	Wiring	1.45

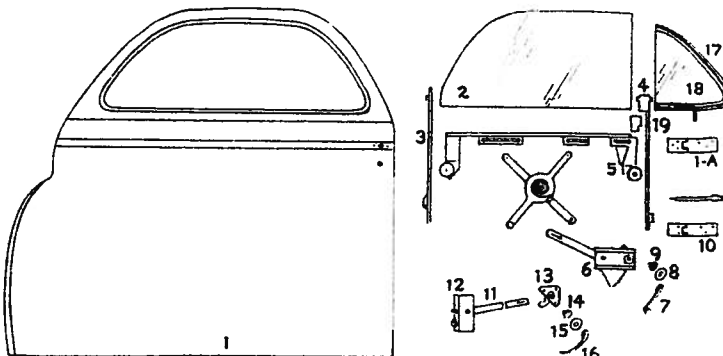
# PLYMOUTH 1946 to 1948 BODY PARTS

## Series P-15. ALL BODY STYLES



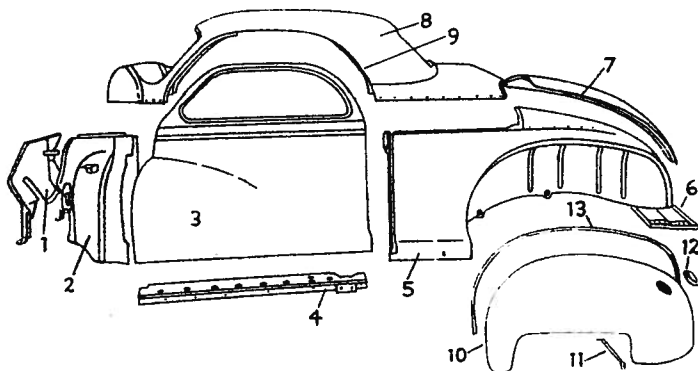
### BODY MOULDING COUPES

Item	Part No.	Description	Price	Item	Part No.	Description	Price
1	1065766	Ornament	4.05	5	1065889	Fender mldg.	2.30
2	1149741	Insert	1.55	6	1065829	Door mldg.	1.45
3	1065758	Hood mldg.	.20	7	1161291	Handle	2.00
3	1065779	Mldg.	2.35	8	1149183	Sill mldg.	7.20
4	1148645	Name plate, P15S	1.05	9	1065842	Quarter panel mldg.	2.00
4	1148646	Name, P15C	1.25	10	1234236	Cowl mldg.	.50
4	1065759	Name	1.25				



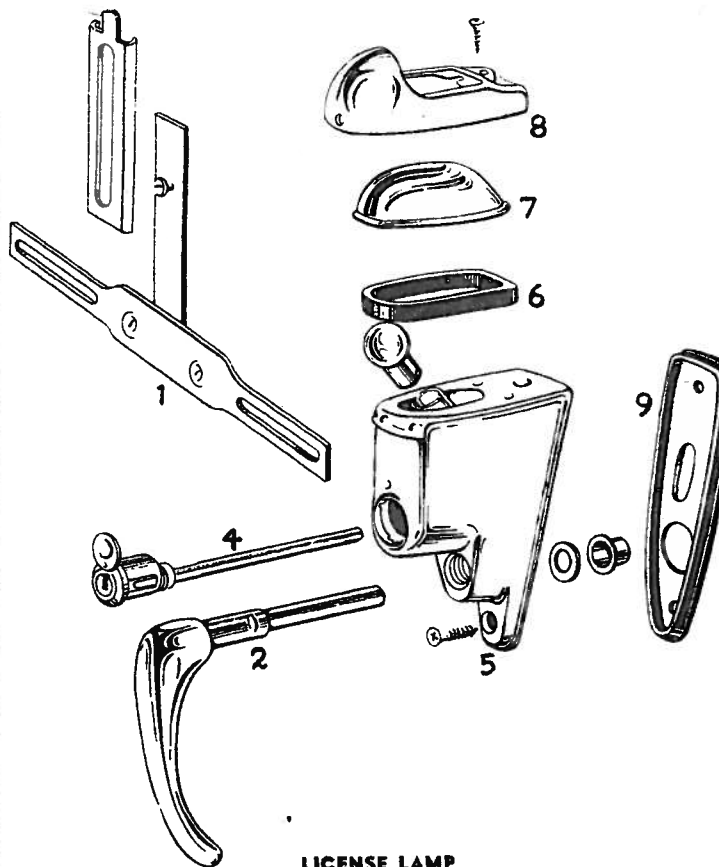
### DOOR ASSEMBLY COUPES

Item	Part No.	Description	Price	Item	Part No.	Description	Price
1	976893	Door assy. club cpe., 3 cpe.	34.50	9	89796	Spring	.0
1	1064813	Door assy.	88.00	10	943870	Hinge lower	1.3
1A	944018	Hinge upr.	1.75	11	944050	Lock link	2.2
2	849011	Glass	P.O.A.	12	944051	Lock combine	2.2
3	1152256	Channel P.15 combine	2.00	1161291	Handle outside, P. 15	2.0	
3	1162092	Channel	.80	13	998647	Remote control	.6
	945427	Run assy.	1.05	14	89796	Spring	.0
4	1162096	Extension run P.15	.30	15	1152366	Escutcheon	.3
5	944628	Roller lower, exc 3 cpe.	.55	16	987067	Handle inside	.9
6	945559	Regulator	2.00	17	848857	Vent. frame, club cpe., 3 cpe.	1.7
7	1152361	Handle P.15-S	1.00	18	848698	Glass, club cpe., 3 cpe.	P.O.A
7	1152364	Handle P.15-C	1.00	19	1152264	Vent. bar	2.3
8	1152366	Escutcheon P.15-C	.35				



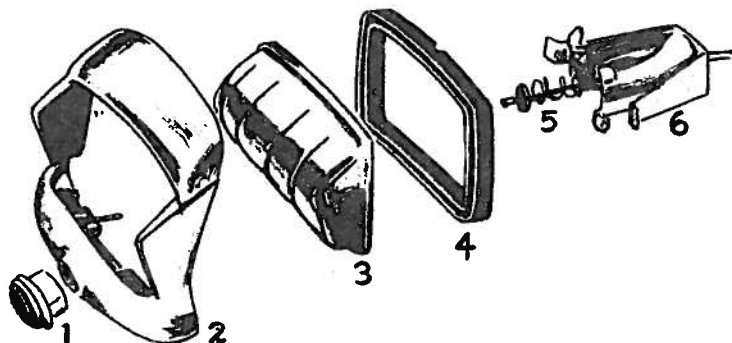
### BODY SHEET METAL COUPES

Item	Part No.	Description	Price	Item	Part No.	Description	Price
1	1155837	Dash panel, P15	9.20	7	1152693	Deck lid, 3 cpe.	31.50
1	1155838	Dash panel, P15	9.20	7	1152697	Deck lid, C. cpe.	31.50
2	943559	Cowl panel, P15	11.20	8	992044	Roof assy. C. cpe.	80.50
3	977505	Door repair panel, c. cpe., 3 cpe.	9.25	8	992878	Roof assy., 3 cpe.	80.50
4	943451	Sill assy.	6.90	9	973037	Trough, P15, club cpe., 3 cpe.	1.00
5	984555	Quarter panel, 3 cpe.	37.40	9	941245	Trough, C. cpe.	1.00
5	977449	Panel, club cpe., C. cpe.	6.90			<b>REAR FENDER</b>	
6	984878	Rear end panel, club cpe., 3 cpe.	5.70	10	1148650	Fender	12.50
				11	981114	Brace	.30
				12	657625	Cover	.30
				13	975973	Welt	1.70



### LICENSE LAMP

Item	Part No.	Description	Price	Item	Part No.	Description	Price
1	1149857	Lic. lamp brkt.	.45	5	938987	Body assy.	4.
2	973557	Handle	1.45	5	974936	Gasket	
	1156348	Keys	.10	7	974934	Lens	
4	951327	Cylinder pkg.	1.65	8	1154287	Cover	1.
4	1156695	Cylinder	1.65	9	1149304	Pad	

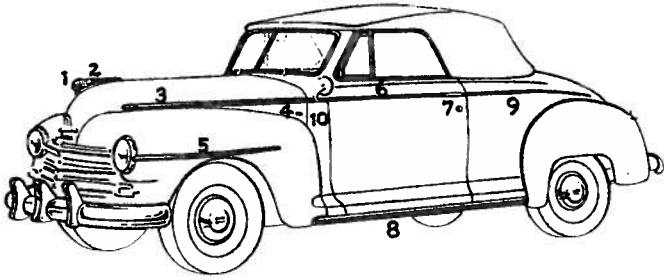


### TAIL LAMP

Item	Part No.	Description	Price	Item	Part No.	Description	Price
1	628564	Reflector	.06	5	882919	Cable assy.	.90
2	1154324	Shell	1.85	5	882995	Cable, sta. wag.	.60
3	1154325	Lens	.70	6	902592	Socket	.40
4	1154326	Gasket	.35				

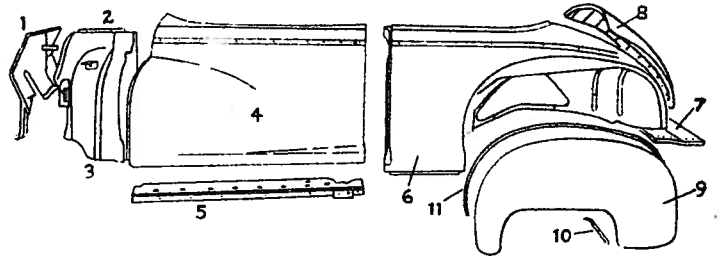
# BODY PARTS 1946 to 1948 PLYMOUTH

## Series P-15. ALL BODY STYLES



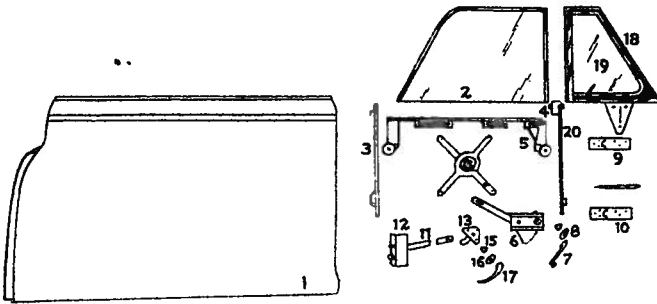
### BODY MOULDING CONVERTIBLE COUPE

Item Part No.	Description	Price	Item Part No.	Description	Price
1 1065766	Ornament	4.05	5 1065889	Fender midg.	2.30
2 1149741	Insert	1.55	6 1065820	Door midg.	1.45
3 1065758	Hood midg.	.20	7 1161291	Handle	2.00
3 1065779	Midg.	2.35	8 1149185	Sill midg.	7.20
4 1149645	Name plate, P15S	1.05	9 1065842	Quarter panel	2.00
4 1149646	Name, P15C	1.25	10 1234236	Cowl midg.	.50
4 1065759	Name	1.25			



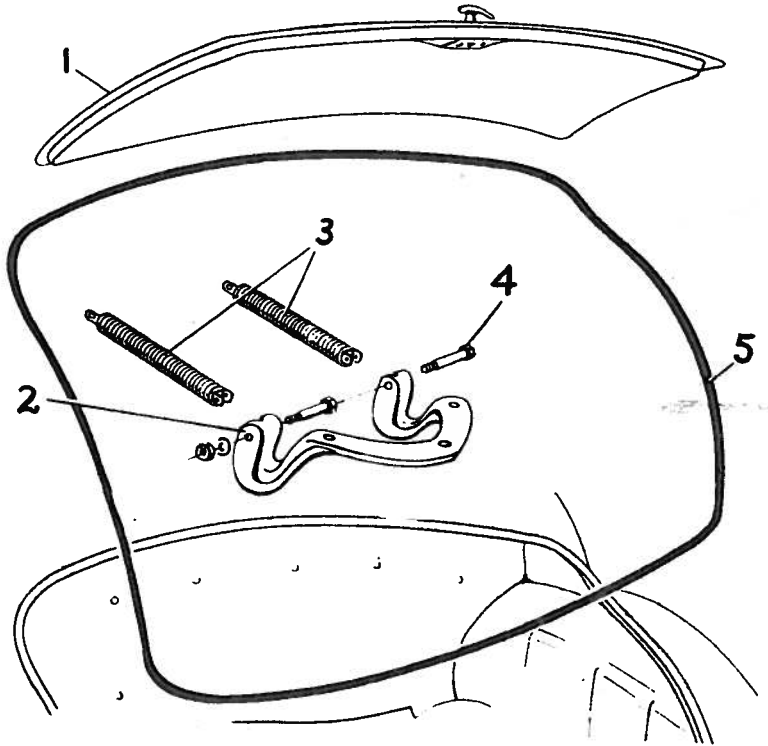
### BODY SHEET METAL CONVERTIBLE COUPE

Item Part No.	Description	Price	Item Part No.	Description	Price
1 1155839	Dash panel	9.80	8 1152986	Deck lid	32.80
2 977270	Cowl panel	20.15	<b>REAR FENDER</b>		
3 1155840	Panel	9.80	9 1148650	Fender	12.50
4 977505	Door repair panel	9.25	10 981114	Brace	.30
5 976542	Sill assy.	4.60	657625	Cover	.30
6 977181	Quarter panel	43.15	11 975973	Welt	1.70
7 984878	Rear end pan.	5.70			



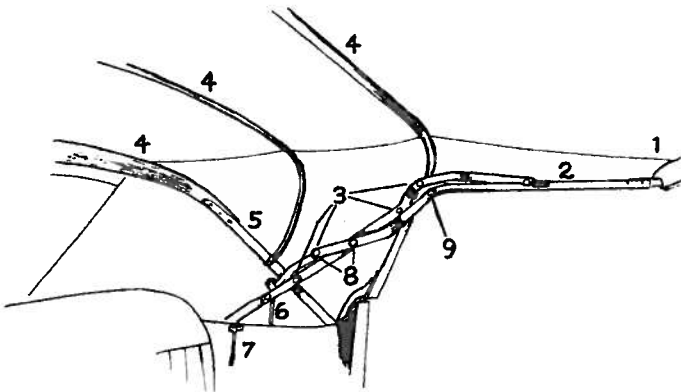
### FRONT DOOR CONVERTIBLE COUPE

Item Part No.	Description	Price	Item Part No.	Description	Price
1 977272	Door assy. P.15-C	40.25	8 1152366	Escutcheon P.15-C	.35
1 1064815	Door assy.	103.50	9 944018	Hinge, up.	1.75
2 945344	Glass	P.O.A	10 943870	Hinge, lower	1.30
3 977163	Channel	.80	11 944050	Lock link assy.	2.25
945445	Run assy.	1.10	12 944051	Lock	2.25
4 1162096	Extension run P.15	.30	13 998647	Remote control	.65
5 944528	Roller lower F., P.15-C	.55	15 89796	Spring	.06
5 944503	Roller rear P.15-C	.40	16 1152366	Escutcheon	.35
6 945559	Regulator P.15-C	2.00	17 957067	Handle, inside	.90
7 1152361	Handle P.15-S	1.00	18 944873	Vent frame P.15-C	7.20
7 1152364	Handle P.15-C	1.00	19 944878	Glass vent	P.O.A.
			20 1152264	Vent bar	2.30



### DECK LID

4 DOOR SEDANS		Price	COUPES		Price
Item Part No.	Description		Item Part No.	Description	
1 1152689	Deck lid 4D., 4D. town	31.50	1 1152693	Deck lid, 3 cpe.	31.65
2 893223	Hinge	1.30	1 1152697	Lid, club cpe.	31.65
3 894380	Prop and sprg. assy.	1.75	2 905339	Hinge, 3 cpe.	1.25
4 893145	Pin	.40	2 901963	Hinge, club cpe.	1.15
5 944358	W. strip	2.70	3 896913	Spring, club cpe.	2.05
			3 934315	Spring 3 cpe.	2.05
			5 974598	W. strip, 3 cpe.	2.00
			5 905050	W. strip, club cpe.	3.25
2 DOOR SEDANS		Price	CONVERTIBLE COUPE		Price
Item Part No.	Description		Item Part No.	Description	
1 1152689	Deck lid	31.50	1 1152986	Deck lid	32.80
2 893223	Hinge, 2D.	1.30	2 974428	Hinge	1.45
3 894380	Prop and sprg. assy.	1.75	3 992062	Spring	2.60
4 893145	Pin	.10	5 974598	W. strip	2.00
5 944358	W. strip	2.70			

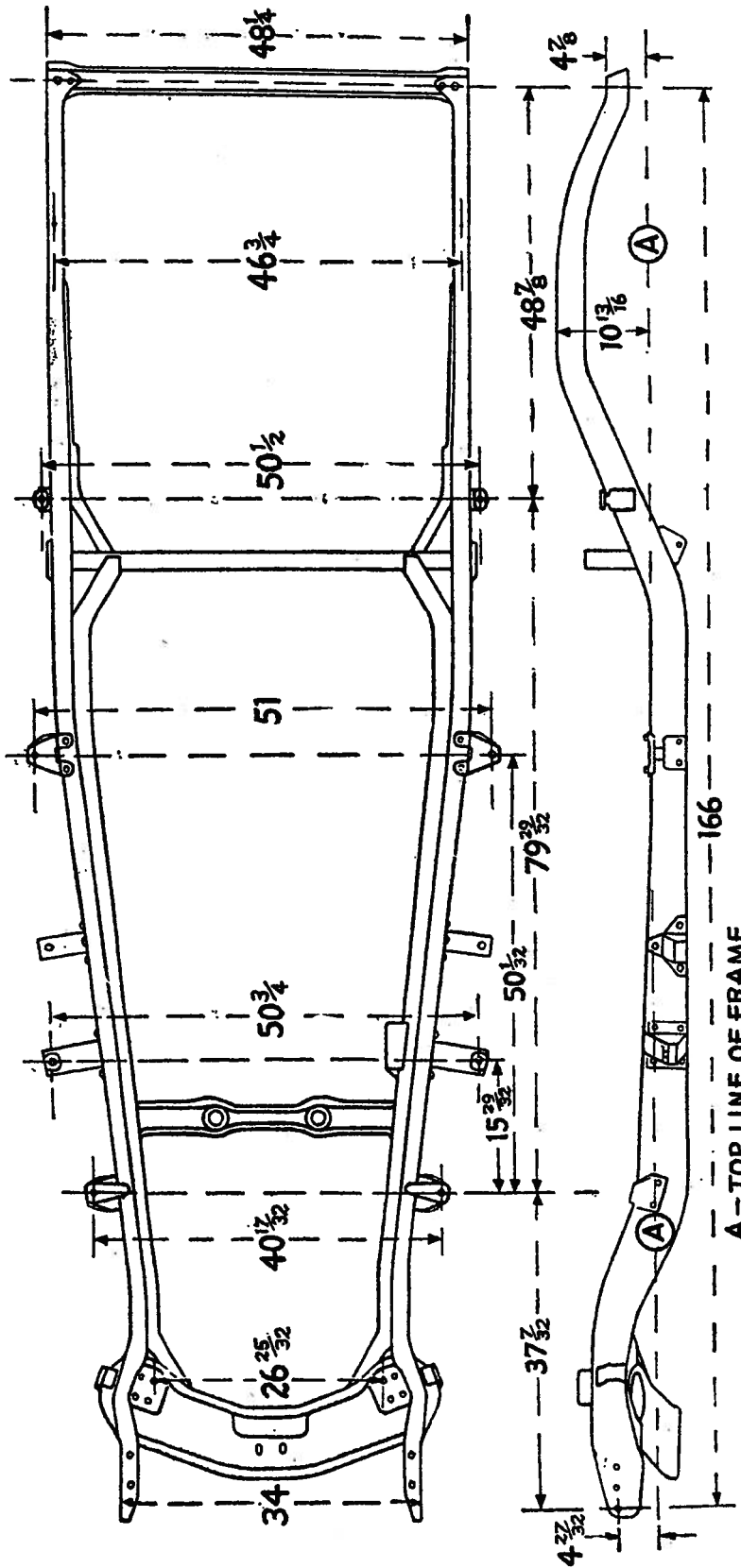


### FOLDING TOP PARTS CONVERTIBLES

Item Part No.	Description	Price	Item Part No.	Description	Price
1 850687	Header assy.	19.55	6 850620	Cylinder assy.	24.75
2 976649	Side rail	7.50	7 890017	Catch	2.15
3 976647	Slat iron	10.50	8 944112	Rivet	.25
4 976642	Main bow	6.90	9 976651	Pillar	6.05
5 976644	Slat rear bow	2.05			

# PLYMOUTH 1946 to 1948 FRAME

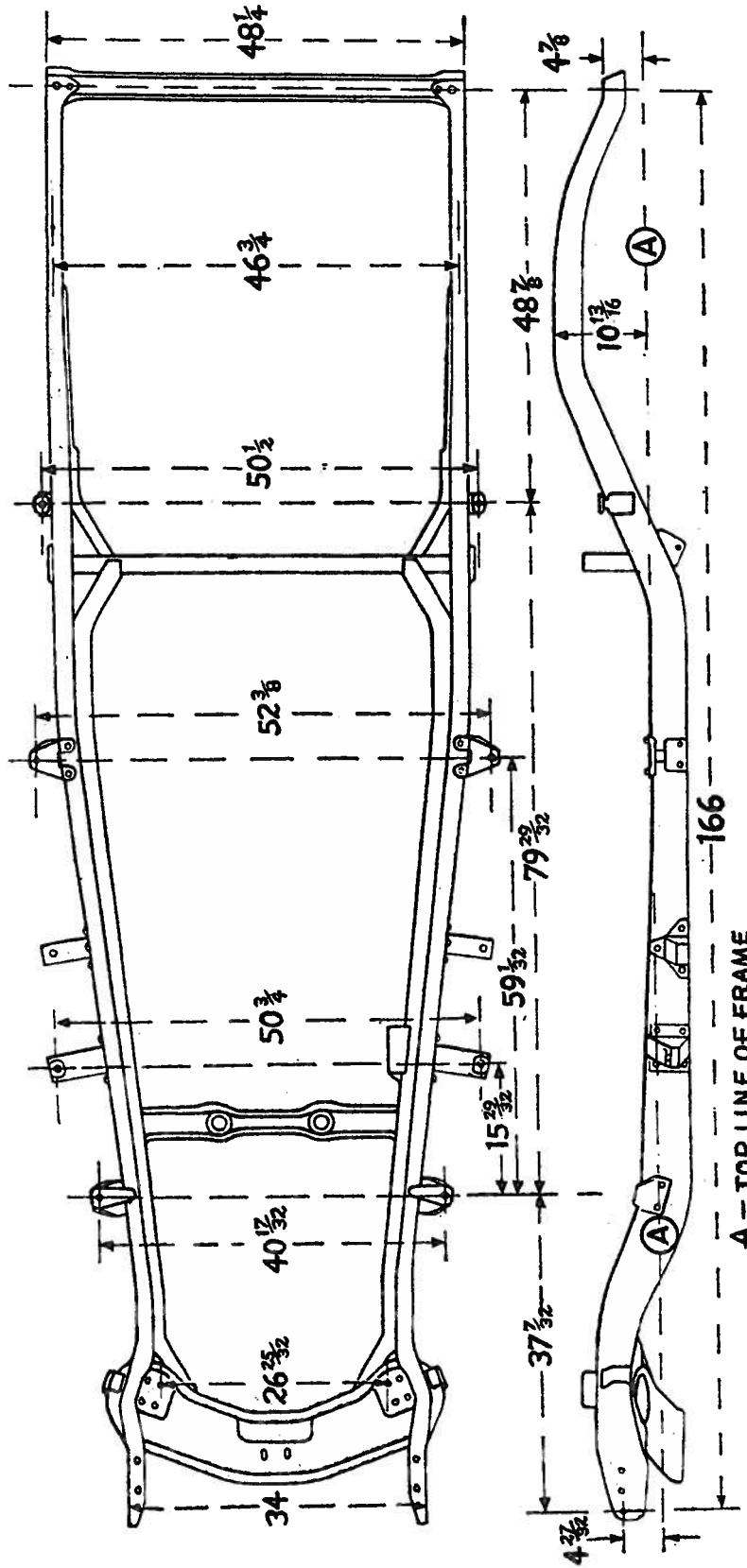
## Series P-15. ALL BODY STYLES



Frame Dimension—2 dr. Sedan

# FRAME 1946 to 1948 PLYMOUTH

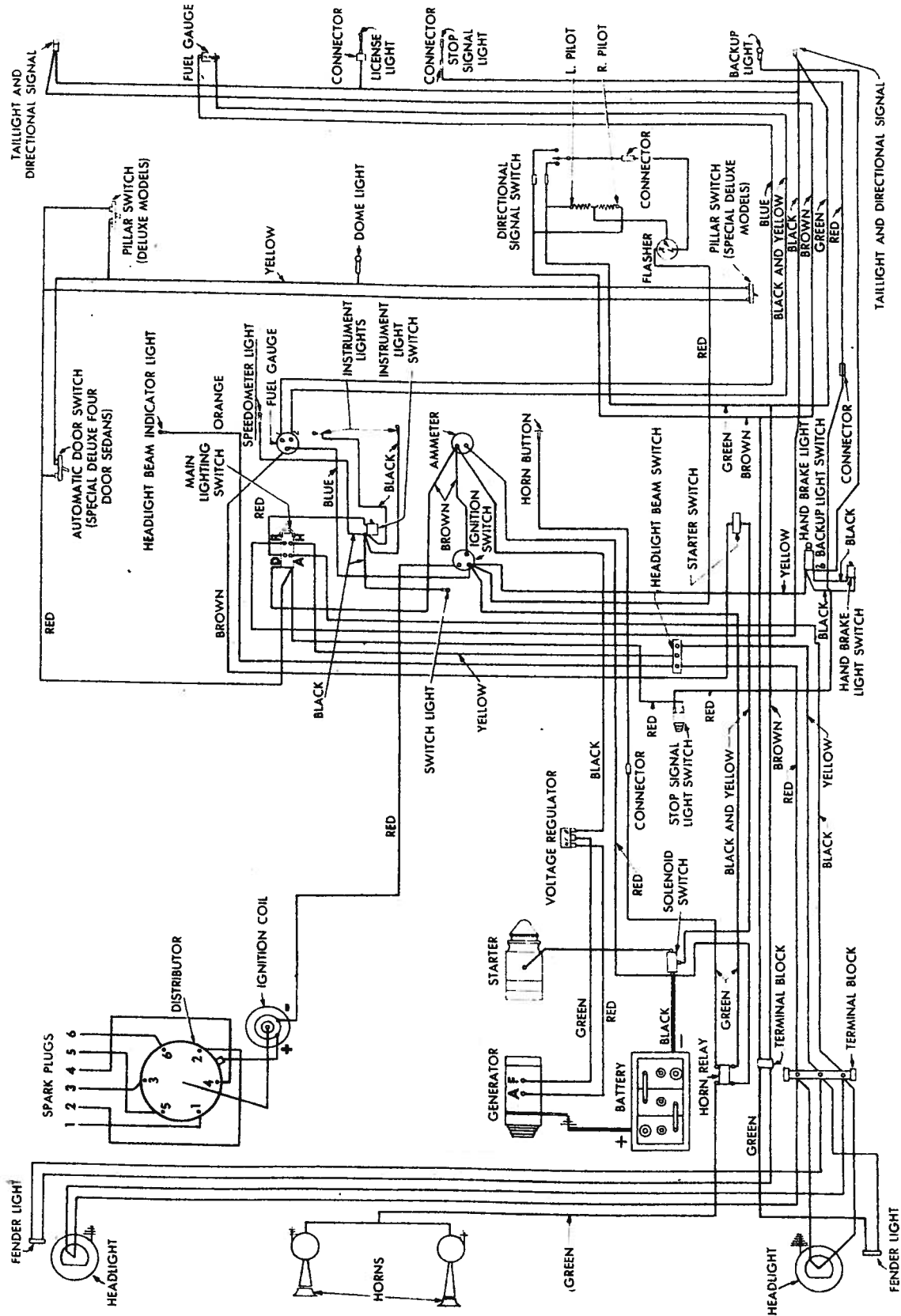
## Series P-15. ALL BODY STYLES





# PLYMOUTH 1946 to 1948 CHASSIS WIRING

## Series P-15. ALL BODY STYLES



Wiring Diagram

# FLAT RATE 1946 to 1948 PLYMOUTH

## Series P-15. ALL BODY STYLES

Chilton Job No.	Chilton Labor Price	Chilton Job No.	Chilton Labor Price	Chilton Job No.	Chilton Labor Price	Chilton Job No.	Chilton Labor Price	Chilton Job No.	Chilton Labor Price	Chilton Job No.	Chilton Labor Price	Chilton Job No.	Chilton Labor Price	Chilton Job No.	Chilton Labor Price	Chilton Job No.	Chilton Labor Price		
<b>A</b>		<b>A—continued</b>		<b>A—continued</b>		<b>B—continued</b>		<b>C—continued</b>		<b>D</b>		<b>E—continued</b>		<b>E—continued</b>		<b>F—continued</b>		<b>G</b>	
1	2.00	7	1.25	20x	10.00	9		3	20.00	1	3.00	2	22.00	12	12.00	2	12.00	1	84.00
2	3.00	8	1.00			10		4	2.50	1a	2.75	3	15.00	13	15.00	3	15.00	2	20.00
3	4.00	9	3.50			11	2.00	5	4.00	2	1.50	4	20.00	14	105.00	4	2.00	3	15.00
4	5.50	10				12	2.50	6	4.50	3	1.50	5		15	85.00	5	2.50	4	8.00
4a		11	3.00	<b>B</b>		13		7	3.00	4	14.00	6	80.00	6	1.50	5	1.50	5	8.00
4b	2.50	12	3.00	1	3.75	14	1.50	8	4.00	7	8.00	7	8.00	7	1.25	6	3.00	6	55.00
4c	4.50	13	1.50	1a	5.50	15	1.00	9		7x		8		8	3.00	7	3.00	7	38.00
5	8.50	14		2	12.00			10		19	10.00	8		9		8	3.00	8	37.00
5a	3.00	15	.75	3	15.00			11	4.25	20	5.00	9	55.00	10		9		9	10.00
5b	3.00	16		4	2.00	<b>C</b>		12	5.00			8x	40.00	11	3.00	10		10	38.00
5c	5.00	17	1.25	5	2.50	1	8.00	13				8y	40.00	12		11	3.00	11	37.00
5d	8.00	18	8.00	6	1.50	1a	10.00	14	1.75	<b>E</b>		10	35.00	13		12		12	10.00
6	12.00	20	6.00	7	1.25	2	13.00	15	1.25	1	85.00	11	37.00	1	3.75	13		13	
				8	3.00									1a	5.00	14	1.50	14	

### STEERING GEOMETRY

**CASTER:** 1 degree negative to 1 degree positive.

**CAMBER:** Zero to 3/4 degree positive. 1/4 degree preferred.

**TOE-IN:** Zero to 1/16 inches. Zero preferred.

**KING PIN INCLINATION:** 4 3/4 to 6 degree.

#### ADJUSTMENTS

**CAMBER:** is controlled by turning eccentric upper support bushing until correct adjustment is secured.

**CASTER:** Factory says not adjustable.

