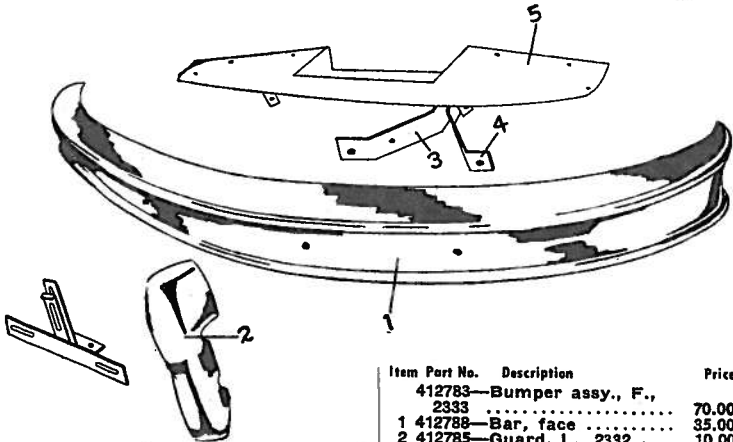


PACKARD SUPER and CUSTOM CONVERTIBLE 1949 BODY PARTS

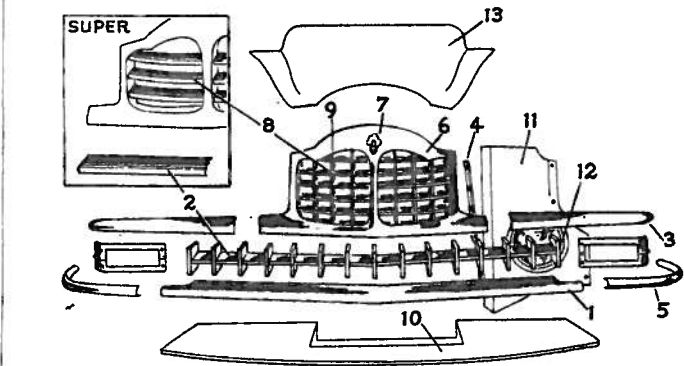
Series 2332, 2333. ALL BODY STYLES



FRONT BUMPER ASSEMBLY

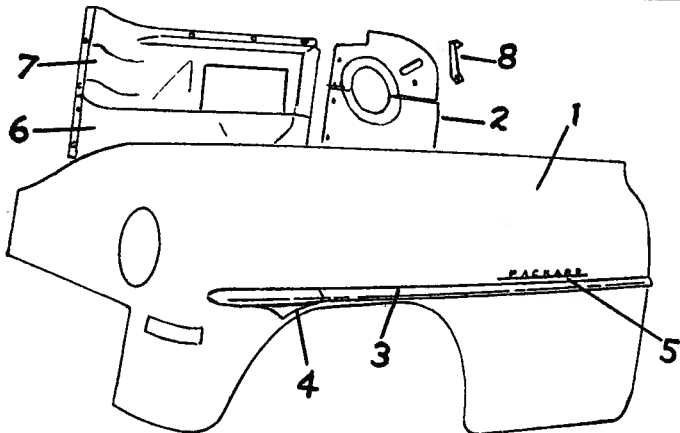
Item Part No.	Description	Price
412782	Bumper assy., F., 2332	\$65.00

Item Part No.	Description	Price
412783	Bumper assy., F., 2333	70.00
1	412786—Bar, face	35.00
2	412785—Guard, L., 2332	10.00
2	412787—Guard, L., 2333	15.00
3	412783—Bar, sup., in. L.	2.00
4	412795—Bar, sup., out. L.	2.00
5	415890—Stone shield	N.P.



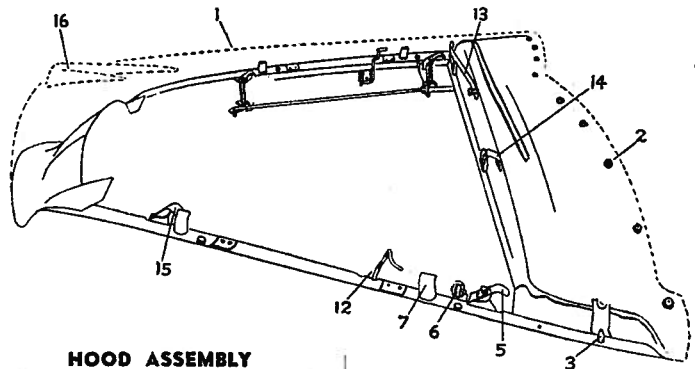
GRILLE ASSEMBLY

Item Part No.	Description	Price	Item Part No.	Description	Price
1	396378—Mold., low., 2359	17.50	9	394735—Fin vert, in. L., 2359	1.85
1	413237—Mold., low., 2379	15.00	9	396715—Fin vert, out. L., 2359	1.85
2	413034—Mold., center, 2379	20.00	396719	Retainer, cent., 2359	.30
3	415239—Mold., up. L.	6.00	396721	Retainer, out. L., 2359	.30
4	396388—Reinfmt., L., 2359	.80	399015	Bar, L., div. hor., 2359	6.00
4	415029—Reinfmt., L., 2379	N.P.	399057	Spacer, vert. cent., 2359	.90
5	391213—Mold., L.	3.00	399059	Spacer, vert. in. L., 2359	.90
6	396361—Grille, less fins, 2359	33.00	399061	Spacer, vert. out. L., 2359	.90
6	415240—Grille, less bars, 2379	38.00	10	415873—Splasher, rad. low., 2359	N.P.
7	391374—Emblem, grille	2.00	10	415890—Splasher, rad. low., 2379	N.P.
7	415307—Bar, center & low., L., 2379	2.25	375077	Bumper, splasher, low., 2359	.07
7	415309—Bar, up. L., 2379	2.25	11	415545—Splasher, L., rad. side	6.00
8	396383—Fin assy., L., 2359	16.00	12	396446—Screen, splasher air duct	.90
8	396705—Fin, center L., hor., 2359	1.85	13	394630—Splasher, rad. top, 2359	4.50
8	396709—Fin, low. L., hor., 2359	1.85	13	415036—Splasher, rad. top, 2379	5.00
8	396707—Fin, low. cent., L., 2359	1.85			
8	396703—Fin, up. cent., L., 2359	1.85			
9	396713—Fin vert. cent. L., 2359	1.85			



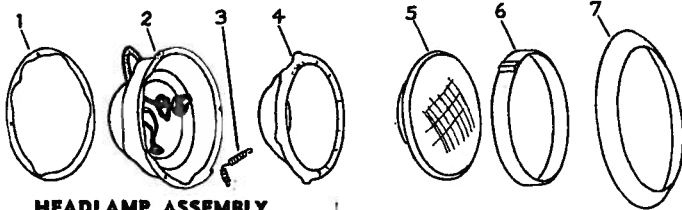
FRONT FENDER ASSEMBLY

Item Part No.	Description	Price	Item Part No.	Description	Price
1	415251—Fender assy., L.	50.00	4	413241—Plate, fender side, L.	1.50
1	415962—Seal, fender	N.P.	5	415670—Plate script	1.25
2	372449—Bracket, L., shield	.41	6	415672—Seal, script plate	.02
2	415067—Shield, gravel, L.	N.P.	6	396323—Splasher, L., low.	5.00
8	391197—Brace, L., shield	.30	7	407856—Splasher, L.	3.60
3	413235—Mold., L., fender side	1.60			



HOOD ASSEMBLY

Item Part No.	Description	Price	Item Part No.	Description	Price
1	415209—Hood assy.	40.00	372331	Pin, lock clamp	.16
2	372174—Bumper, cowl	.07	372450	Spring, L., clamp	.12
2	399324—Bumper, pivot	.33	12	399453—Handle, lock, L.	N.P.
2	372146—Bumper, front	.12	399458	Knob, handle	.90
2	407010—Bumper, rear cor.	.03	372536	Grommet, handle, dash	.28
2	391463—Bumper, fender	.09	13	396074—Prop	.40
3	378664—Dowel, rear	.20	14	372463—Rest, prop	.35
5	391757—Pin, guide	1.75	383366	Spring, prop	.70
5	372295—Clamp, L.F. lock, 2332	.46	15	370413—Catch assy., L.	.10
5	399526—Clamp, L.F. lock, 2333	.90	16	PA407949—Ornament assy., 415850	12.00
5	399531—Clamp, L.R. lock, 2333	1.30	391519	Retainer, withstp.	N.P.
6	399527—Roller, clamp	.30			
6	372305—Bracket, L., clamp	.46			
6	372338—Rod, clamp, 2332	.46			
6	391719—Rod, clamp, 2332	.70			
6	373764—Spring, rod, anti-rat.	.05			



HEADLAMP ASSEMBLY

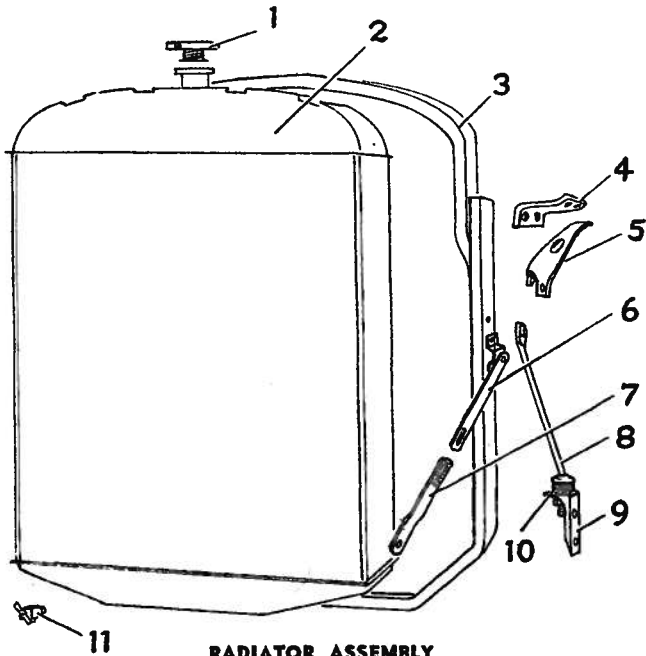
Item Part No.	Description	Price	Item Part No.	Description	Price
393696	Headlamp, L.	15.40	416083	Connector, cable	N.P.
1	371402—Gasket, fender	.28	11	399329—Door, L.	2.80
2	393702—Body assy.	3.00	399326	Gasket, door	.18
4	371404—Mount, bulb	2.05	9	399332—Glass	.70
6	354145—Retainer	1.85	10	416136—Gasket, glass	N.P.
410044	Cable, L., assy.	2.00			
410046	Connector	N.P.			
351167	Junction block	.30			
7	394717—Door, 2332	2.75			
7	394718—Door, prime, 2333	3.00			
383490	Switch assy., dim.	1.15			
311729	Cap, dim. sw.	.14			
393563	Sw. assy., hdlp.	2.75			
410047	Circuit breaker	1.00			
399564	Bracket, indicat. light	.70			

PARKING LAMP

416097	Parking lamp, L.	10.00
8	416128—Body & cables, L.	4.00

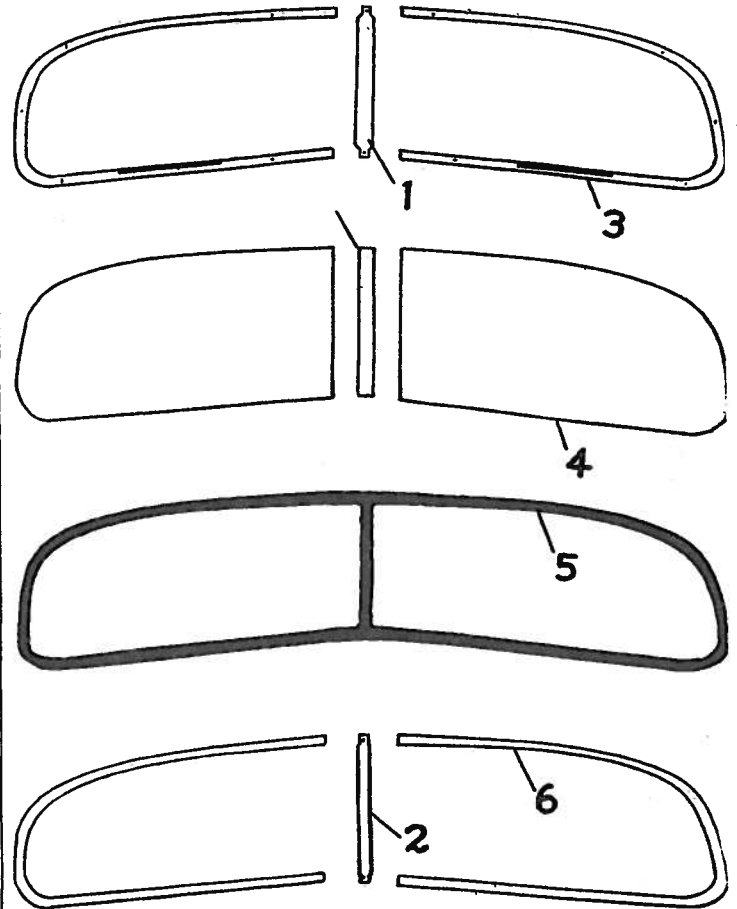
BODY PARTS 1949 SUPER and CUSTOM CONVERTIBLE PACKARD

Series 2332, 2333. ALL BODY STYLES



RADIATOR ASSEMBLY

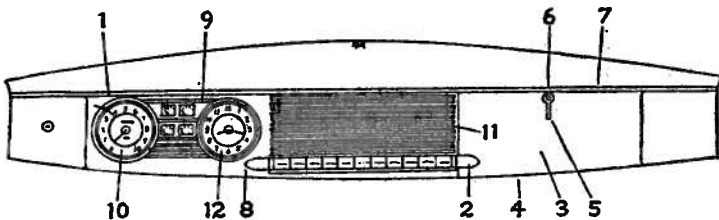
Item Part No.	Description	Price	Item Part No.	Description	Price
1 377265	Cap	1.40	7 403749	Brace, low., cradle to grille	1.50
2 418395	Core assy., 2332	N.P.	7 403747	Brace, up., cradle to grille	1.50
2 418826	Core assy., 2333	N.P.	8 389867	Tie rod	1.00
3 412419	Cradle, 2332	N.P.	9 362825	Bracket, tie rod	.46
4 391885	Bracket, L., cradle, 2332	N.P.	10 202504	Grommet	.15
5 395828	Brace, L., cradle to fender	.70	10 362357	Guide	.02
6 395822	Bracket, L., cradle to fender	.60	10 202221	Retainer	.05
			11 378248	Drain cock	.46



WINDSHIELD ASSEMBLY

Item Part No.	Description	Price	Item Part No.	Description	Price
385227	Reinfmt.	.50	415499	Tensioner, cleaner cable, L.	1.50
1 391917	Mold. div., in.	3.00	413339	Motor assy., cleaner	10.25
2 396696	Mold. div., out.	2.00	415536	Cable assy., motor	1.25
3 411179	Mold., L., fin., in.	6.60	399194	Gasket, motor	.07
372018	Plug, mold, de-froster	.14	399087	Knob, cleaner cable	.55
405537	Cordwelt, L., 2399	1.30	415903	Spacer, L., shaft	.65
256484	Cordwelt, 2379	1.20	415912	Gasket, spacer	.07
6 385233	Rim, L., fin., out.	2.50	395820	Tube, low. hose, 2359	.70
4 385231	Glass	9.00	398287	Tube, low. hose, 2379	.50
5 385223	Wthstp., glass	7.00			

WINDSHIELD CLEANER ASSY.
415511—Cable & pivot, L... 2.30

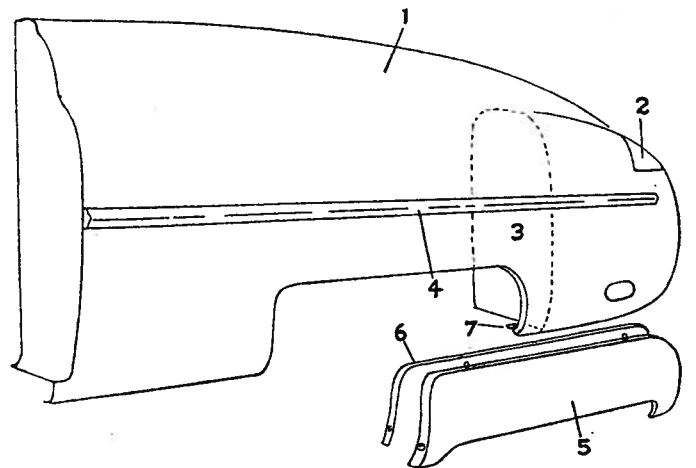


INSTRUMENT PANEL

Item Part No.	Description	Price	Item Part No.	Description	Price
1 417327	Panel, red, 2332	N.P.	401434	Latch, handle	.20
1 417528	Panel, tan, 2332	N.P.	401598	Striker, glove latch	.10
1 415291	Panel, 2333	N.P.	7 399395	Mold., glove box, low.	.50
2 411633	Cover, ash rec.	1.30	7 396486	Mold., glove box, up.	.80
412931	Trim, center panel.	8.00	416153	Switch, ident. light	N.P.
415541	Box assy., glove	2.00	410599	Mask, inst. cluster	1.20
413956	Panel, red, glove, 2332	N.P.	410539	Case, inst. cluster	.80
3 415957	Panel, tan, glove, 2332	N.P.	8 417524	Panel, red, inst. cluster, 2332	N.P.
3 401592	Panel, glove door, 2333	2.00	417525	Panel, tan, 2332	N.P.
4 376199	Hinge, glove door	N.P.	412988	Trim, cluster pan.	3.75
401398	Adapter, glove door handle	.50	9 396487	Mold. cluster trim.	.50
5 401450	Handle, glove door	1.50	396485	Trim mold., chrome	.50
385521	Spring, anti-rat., glove	.05	11 411639	Cover, radio open.	1.50
6 385534	Cyl., glove handle.	1.75	10 410013	Speedometer	12.50
			12 416070	Clock	19.55

REAR FENDER ASSEMBLY

Item Part No.	Description	Price	Item Part No.	Description	Price
1 417159	Fender & whhouse., L., 2359	N.P.	359625	Spring, R. filler lid	.14
1 417151	Fender & whhouse., L., 2379	N.P.	3 391259	Shield, L., rear fender	1.30
417167	Panel, L., F. up., 2359	N.P.	4 413221	Mold., L., R.F. bottom	2.25
417157	Panel, L., 2379	N.P.	5 411481	Shroud, L., R.F.	7.50
2 396352	Lid assy., filler	1.20	6 399897	Anti-squeak, shroud	.30
357434	Bumper, filler lid	.07	7 399659	Bracket, L., shroud	.18
391145	Pin, filler lid	.06	7 399941	Bracket, L., fender	.90
357433	Spring, F. filler lid	.14			

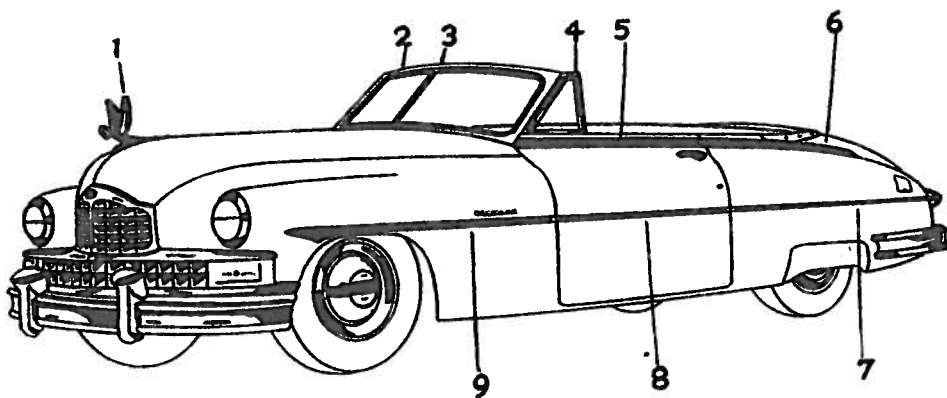
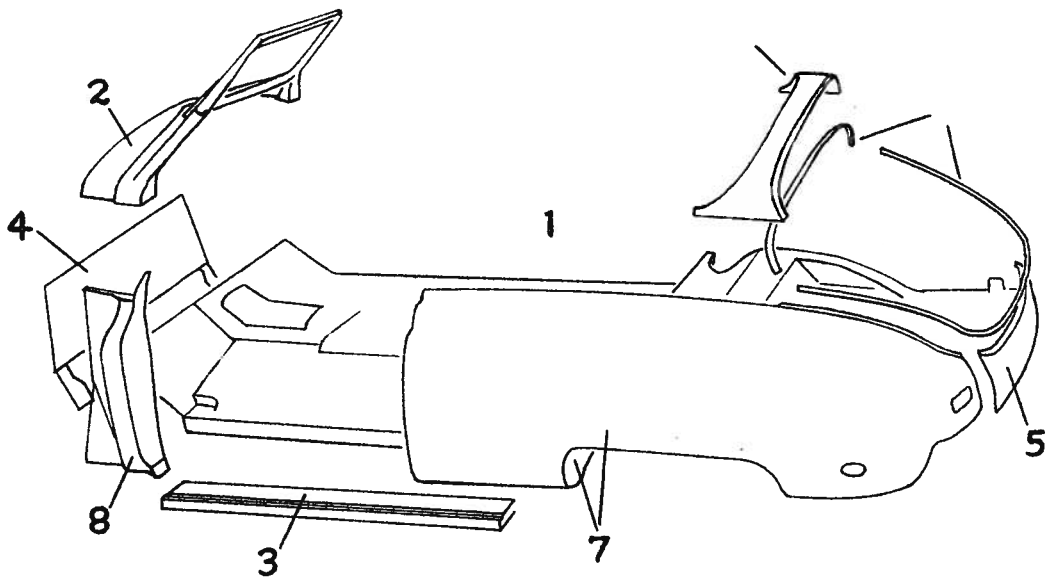


PACKARD SUPER and CUSTOM CONVERTIBLE 1949 BODY PARTS

Series 2332, 2333. ALL BODY STYLES

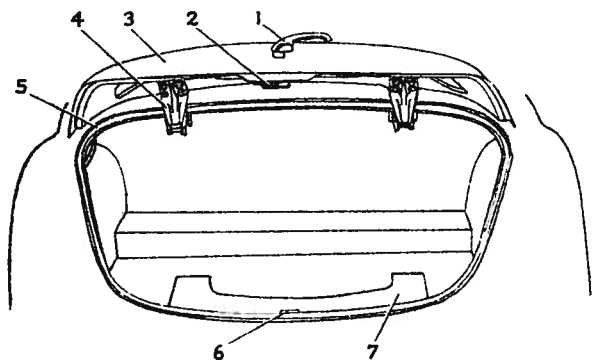
CAR BODY

Item	Part No.	Description	Price
8	418823	Panel, L., cowl side	N.P.
4	418867	Dash panel	N.P.
	385074	Rear end belt	3.00
5	396416	Panel, rear center, low.	N.P.
	385108	Gutter, up. R. end pan.	1.00
	385109	Gutter, side & bottom R. end pan.	1.60
2	417279	Panel assy., cowl	N.P.
	385035	Frame assy., cowl	N.P.
	392607	Floor, rep. panel	9.00
3	385175	Panel assy., sill, L.	3.00
7	417158	Fender & whhouse, L., 2339	N.P.
	417151	Fender & whhouse, L., 2379	N.P.
	403063	Gas tank assy.	13.80



OUTSIDE MOLDINGS

Item	Part No.	Description	Price
1	PA407949	Ornament assy.	12.00
2	385233	Rim, L., outside finish	2.50
3	396696	Mold., L., outer div. finish	2.00
4	385129	Frame assy., L., window wing	14.00
5	413179	Mold., L., door belt
6	413189	Mold., L., rear qtr. belt.
7	413221	Mold., L., rear fender	2.25
8	418208	Mold., L., door
9	413235	Mold., L., front fender	1.60



LICENSE LIGHT ASSEMBLY

Not illustrated

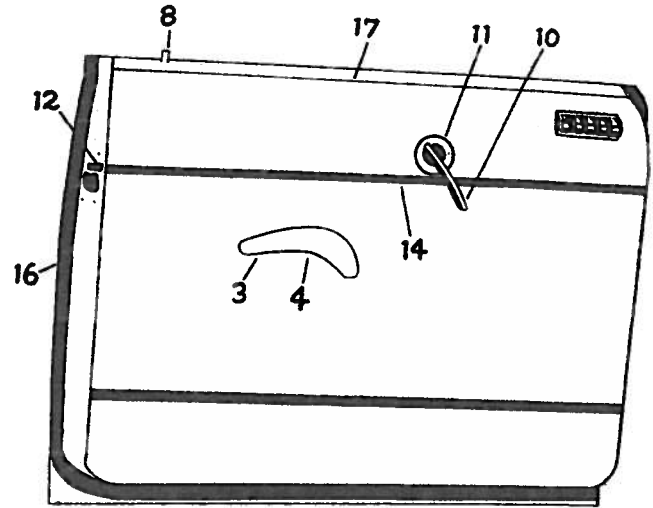
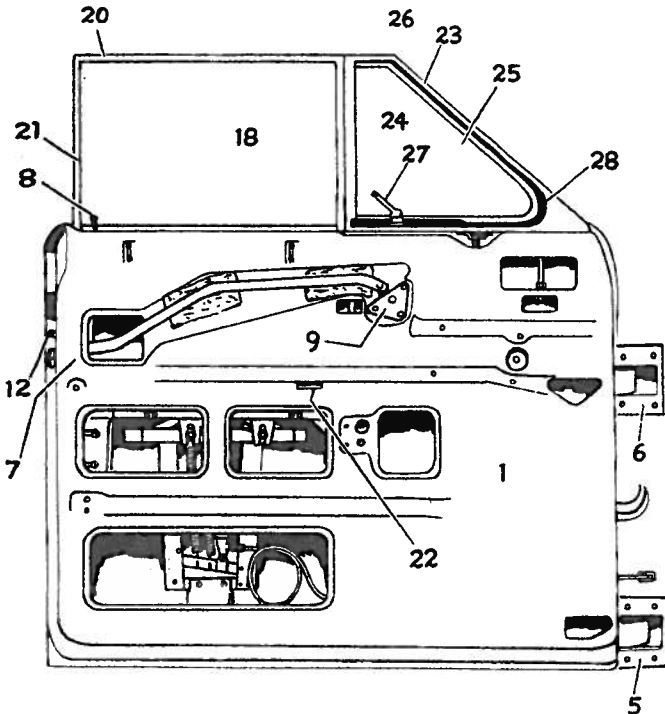
Part No.	Description	Price
403862	Light assy.	4.00
389287	Gasket	.30
371892	Door	2.10
371893	Glass	.80
335855	Gasket	.06
403861	Body & socket	2.00
410241	Cable	.40

DECK LIDS

Item	Part No.	Description	Price
3	396659	Lid assy.	27.00
4	385327	Hinge assy.	3.50
2	372343	Lock assy., lid	2.75
	410435	Cyl. uncut, lock	.50
	396924	Cyl. & case assy.	1.10
	405716	Gasket, cyl.	.02
1	396641	Handle, lid lock	3.00
	399137	Gasket, handle	.10
6	372575	Striker, L., lock	.60
6	392621	Bracket, striker	1.00
6	372493	Plate, striker	.09
	396697	Script plate	2.75
5	385373	Withstp., lid	8.25

BODY PARTS 1949 SUPER and CUSTOM CONVERTIBLE PACKARD

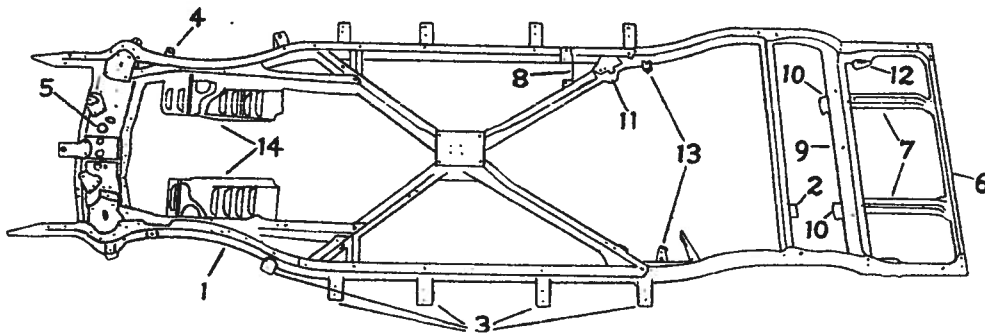
Series 2332, 2333. ALL BODY STYLES



FRONT DOOR ASSEMBLY

Item Part No.	Description	Price	Item Part No.	Description	Price
1	417287—Door Assy., L., 2359	N.P.	7	396063—Lock Assy., L., 2379	10.00
1	417289—Door Assy., L., 2379	N.P.	410434	Cyl. uncut, lock	.50
4	411529—Panel, out. rep., L.,	13.20	399038	Case Assy., cyl. lock	1.60
4	417295—Panel, L., up., 2359.	N.P.	401375	Handle, L., out.	3.50
4	417293—Panel, L., up., 2379.	N.P.	401444	Gasket, out. handle	.03
3	256957—Arm rest, L., 2379.	N.P.	8	396916—Knob, lock rod	.30
4	256955—Trim cover, L., arm rest	N.P.	9	385257—Remote cont. Assy., L.	1.00
4	413208—Mold., bottom, out.	1.75	10	396478—Handle, in. R.C.	.90
391774	Bumper, body half	1.50	11	396475—Plate, escutcheon, 2359	.20
391718	Bumper, door half	.16	11	399096—Plate, escutcheon, 2379	.50
372249	Arm Assy., check	.41	133264	Spring, escutcheon	.07
370405	Bracket, check arm	.41	12	399201—Striker, L., 2359	2.00
370406	Retainer, check	.46	12	399029—Striker, L., 2379	.40
5	411279—Hinge, low, L.	3.40	392616	Fastener, trim pan.	.16
6	411273—Hinge, L., up.	3.40			
372040	Pin, hinge	.18			
7	399089—Lock Assy., L., 2359	11.00			

Item Part No.	Description	Price	Item Part No.	Description	Price
413343	Mold., trim pan., low., 2359	N.P.	391846	Wthstp., glass, low.	.70
14	414315—Mold., trim pan., up. low., 2379	N.P.	20	391819—Frame Assy., L., glass	23.00
396157	Wthstp., L., hinge side, low.	2.50	21	399701—Guide, L., glass, rear	.40
396019	Wthstp., L., hinge side, up.	1.80	22	409184—Stop, glass door pan.	.80
417515	Wthstp., L., hinge side door, up. cor.	N.P.	22	409596—Stop, glass, low. chan.	.30
16	396231—Wthstp., L., lock side	1.20	396081	Reglitr., L.	5.00
16	417479—Wthstp., L., lock side pillar	N.P.	391939	Retainer, reg. Assy.	.70
417407	Retainer, L., hinge side	N.P.	413138	Spring, reg., out.	.80
399185	Retainer, L., hinge side, up. cor.	.30	385240	Runway, front	.30
417470	Retainer, lock side pillar	N.P.	391792	Runway, rear, low.	1.00
396295	Seal, in. L.	.50	391847	Retainer, R. run- way, low.	.90
396013	Seal, out. L.	.50	23	385097—Vent. Assy., L.	37.50
17	405593—Mold., L., 2359	20.00	24	385152—Glass, vent.	1.80
17	417445—Mold., L., set 724, 2379	N.P.	25	385155—Glass & ret., L.	9.00
17	417447—Mold., L., set 726, 2379	N.P.	26	385129—Frame Assy., L.	16.00
18	391380—Glass	5.00	27	396571—Handle, L., vent.	.70
391823	Chan. Assy., L.	8.00	372990	Shaft, vent., handle	.35
			385157	Pivot, L., male	1.50
			385191	Pivot, L., female	.34
			28	385131—Wthstp., L. vent., F.	2.50
			28	385252—Wthstp., vent., low. F.	.05
			28	385250—Wthstp., vent., rear	.24

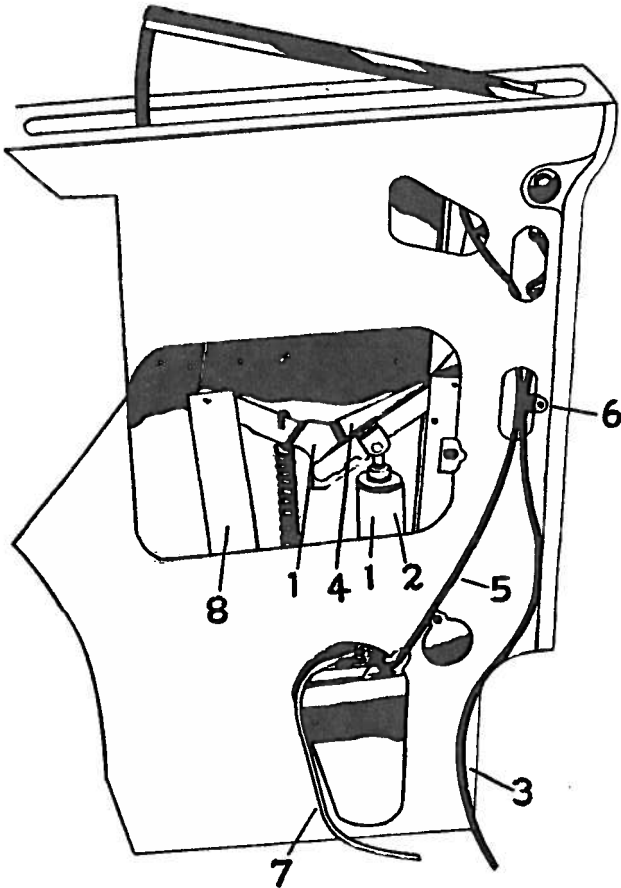


FRAME ASSEMBLY

Item Part No.	Description	Price
1	412690—Frame, 2332	120.00
1	418335—Frame, 2333	N.P.
2	418366—Bracket, stab. lateral	N.P.
3	371854—Bracket, #1	.50
3	384178—Bracket, L., #2	2.00
3	371852—Bracket, #3 & 4	.70
3	384181—Bracket, #4 1/2	2.50
3	373116—Bracket, #5	.85
4	341937—Bracket, F. brake hose	.06
4	371179—Bracket, R. brake hose	.41
5	389586—Chan., F., 2332	20.00
5	389587—Chan., F., 2333	20.00
6	371037—Support, tank	1.00
7	373018—Chan. tank sup.	3.45
8	371919—Bracket, muf. sup., 2332	.30
8	373851—Bracket, muf. sup., 2333	.60
9	367024—Chan., rear	N.P.
10	348573—Bracket, rear shock	.45
11	367935—Bracket, sprg., rear L., front	1.40
12	367202—Bracket, L.R. shackle	2.75
13	373220—Bracket, L. rear cable	N.P.
14	377515—Splasher, L., frame to case	2.00

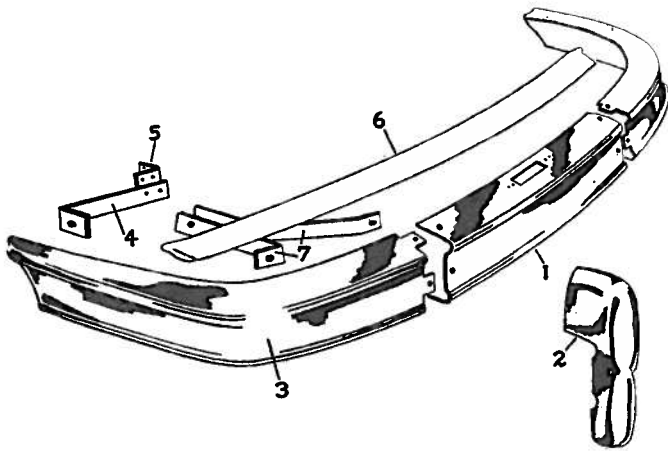
PACKARD SUPER and CUSTOM CONVERTIBLE 1949 BODY PARTS

Series 2332, 2333. ALL BODY STYLES



HYDRAULIC DOOR WINDOW ASSEMBLY

Item Part No.	Description	Price	Item Part No.	Description	Price
1	385099—Cyl. & regitr., L....	15.00	5	396956—Conduit, cyl. hose..	1.80
2	391767—Cyl. assy.,	9.00	6	396952—Clamp, conduit	N.P.
3	399189—Cable assy., cyl. to sw.50	7	399305—Tube, cyl. cowl side	.50
4	391765—Clip, cyl. to regitr..	.08	7	409599—Tube, cyl. dash to cowl, S.40
4	417548—Hose assy. cyl.	2.50	8	396081—Regitr. assy., L.	5.00



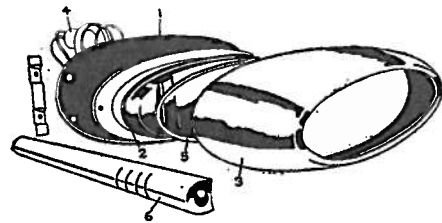
REAR BUMPER ASSEMBLY

Item Part No.	Description	Price	Item Part No.	Description	Price
4	412868—Bumper assy., 2332.	80.00	5	403012—Bracket, sup. bar, 2333	.30
1	419307—Bumper assy., 2333	75.00	6	401839—Stone shield	4.00
1	395346—Bar, face	24.20	7	418946—Bar, L., in. sup., 2333	1.80
2	412785—Guard, L.,	N.P.	7	418948—Bar, L., out. sup., 2333	1.50
3	395548—Guard, L., R.F.	33.00			
4	395568—Bar, guard sup.	1.65			

FOLDING TOP

Not illustrated

Part No.	Description	Price	Part No.	Description	Price
410352	—Top, less fabric, 2359	175.00	391875	—Hinge, L., pillar, rear half	10.50
410353	—Top, less fabric, 2379	125.00	391927	—Hinge, L., pillar, front half	10.00
385091	—Mold., belt rail	3.50	405107	—Prop, main cont., L., 2359	6.60
399593	—Link, L., power guide	3.50	401775	—Prop, main cont., L., 2379	3.00
405178	—Bow, #1	4.40	408112	—Plate, prop	1.20
405119	—Link, bow #1, 2359	4.50	409595	—Glass, curtain	2.50
401725	—Link, bow #1, 2379	1.10	417174	—Mold., in., glass	2.75
405151	—Link & sup., #1	5.50	417175	—Mold., out., glass..	2.75
401833	—Link & sup., #1	1.90	257603	—Stay assy., L., deck	2.25
405174	—Bow, #2	4.40	399957	—Rail & reinfmt., cent., L. side	6.50
391780	—Rear bow	6.60	399953	—Rail & reinfmt., front, L. side	5.50
253744	—Cover, rear bow80	399955	—Rail & reinfmt., rear, L. side	6.50
396007	—Link, L., rear bow	1.50	405009	—Hinge, F. half, L. side	5.00
233805	—Mold. & cover, R.B., 2359	8.60	405007	—Hinge, R. half, L. side	5.00
139159	—Fastener, boot bag03	411839	—Link, L., 2359, F. & R.	3.00
397449	—Fastener, boot half05	411845	—Link, L., 2379, F. & R.	1.50
139157	—Fastener, rivet post, female04	411849	—Link, L., 2359, side rail	1.30
139156	—Fastener, rivet post, male03	411841	—Link, L., 2379, side rail, F.45
401792	—Header assy.	48.00	405111	—Link, L., 2359, side rail, C.	3.00
396135	—Dowel, header, cent.	2.50	401769	—Link, L., 2379, side rail, C.	1.00
396159	—Dowel, L., header, out.	2.40	405114	—Link, 2359, cyl.	4.50
396104	—Handle, header	1.60	401766	—Link, 2379, cyl.80
396121	—Escutcheon, handle34	391951	—Wthstp., L., side rail, C.	2.40
396132	—Spring, escutcheon03	396015	—Tacking strp., header, rear14
396772	—Plate, header, cent.50	396907	—Mold., L.F. header trim	1.00
396771	—Tacking strp., header, cent.	1.10	396903	—Clip, front header..	.36
396141	—Tacking strp., header, F. side08	396905	—Retainer, L. front header40
411091	—Tacking strp., header, rear14	396160	—Wthstp., header, F. rail, R.	2.50
396015	—Tacking strp., header, rear14	385359	—Wthstp., header, R. rail, R.	1.00
396907	—Mold., L.F. header trim	1.00	253804	—Welt, header, in.70
396903	—Clip, front header..	.36	253803	—Welt, header, out.80
396905	—Retainer, L. front header40	257623	—Boot & bag, black..	N.P.
396160	—Wthstp., header, F. rail, R.	2.50	257622	—Boot & bag, sun tan	N.P.
385359	—Wthstp., header, R. rail, R.	1.00	257621	—Boot, dust, black ..	N.P.
253804	—Welt, header, in.70	57620	—Boot, dust, sun tan	N.P.
253803	—Welt, header, out.80	96011	—Hinge, L., pillar ...	7.00
257623	—Boot & bag, black..	N.P.			
257622	—Boot & bag, sun tan	N.P.			
257621	—Boot, dust, black ..	N.P.			
57620	—Boot, dust, sun tan	N.P.			
96011	—Hinge, L., pillar ...	7.00			



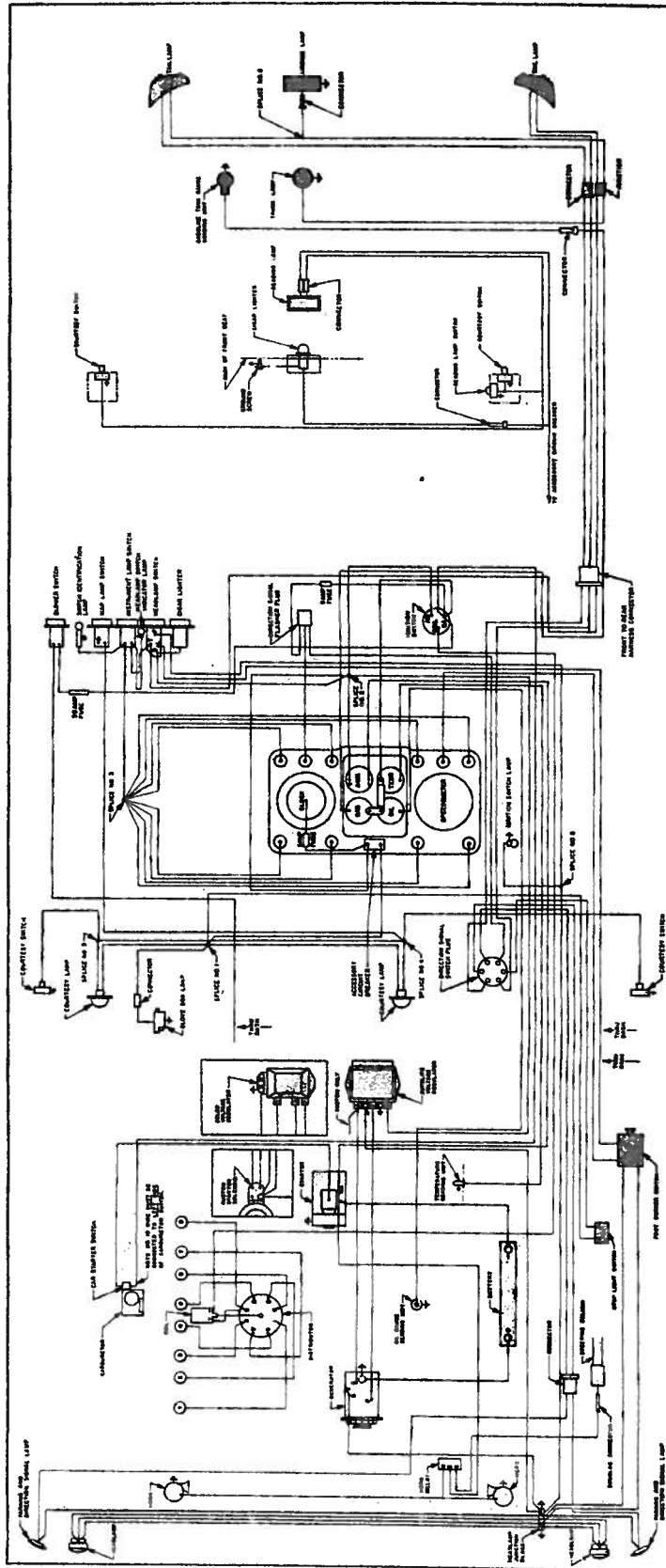
REAR LAMP ASSEMBLY

Item Part No.	Description	Price	Item Part No.	Description	Price
1	416045—Tail & stop, L.	7.50	416006	—Button, extension..	N.P.
1	416071—Gasket, body40	413453	—Retainer, extension	N.P.
4	413401—Reinfmt., L., fender	.25			
2	410619—Body, in.	N.P.			
3	410816—Body, out. L.	N.P.			
4	410824—Cable & socket, L.	N.P.			
4	410825—Seal, cable, in.	N.P.			
5	410821—Glass	1.00			
4	410822—Gasket, glass30			
6	416048—Extension mold., L.	2.50			

DIRECTIONAL LAMP

416023	—Switch & cable ...	5.00
416069	—Flasher	1.50
416051	—Connector, flasher..	.20
416058	—Bracket, connector.	.40
416064	—Spacer, flasher	N.P.

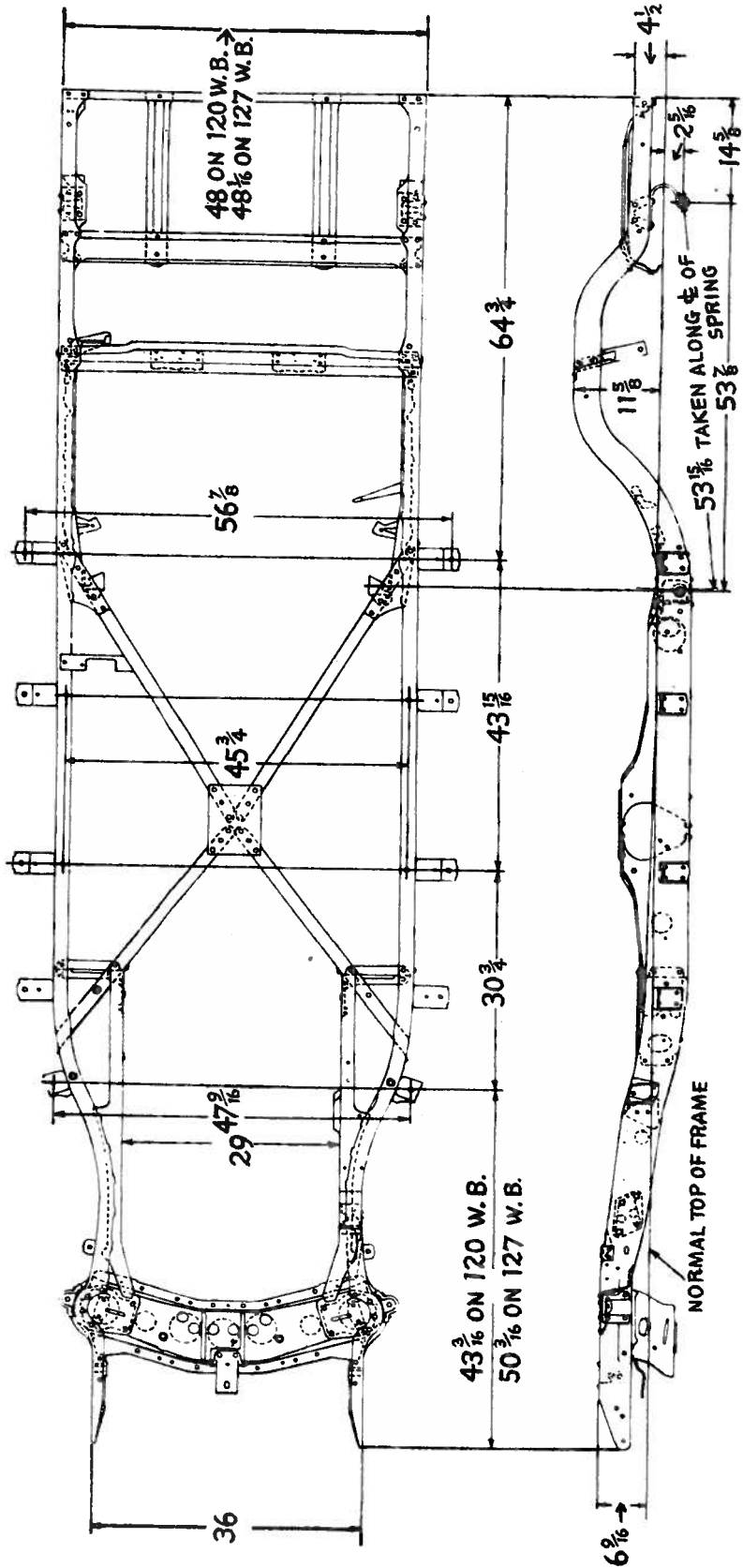
WIRING 1949 SUPER and CUSTOM CONVERTIBLE PACKARD Series 2332, 2333. ALL BODY STYLES



Wiring Diagram—Series 2332, 2333

PACKARD SUPER and CUSTOM CONVERTIBLE 1949 WIRING

Series 2332, 2333. ALL BODY STYLES



Frame Dimensions—Series 2332, 2333

FLAT RATE 1949 SUPER and CUSTOM CONVERTIBLE PACKARD Series 2332, 2333. ALL BODY STYLES

Chilton Job No.	Chilton Labor Price	Chilton Job No.	Chilton Labor Price	Chilton Job No.	Chilton Labor Price	Chilton Job No.	Chilton Labor Price	Chilton Job No.	Chilton Labor Price	Chilton Job No.	Chilton Labor Price	Chilton Job No.	Chilton Labor Price	Chilton Job No.	Chilton Labor Price
1	3.50	6	15.00	20	7.20	8		2		15		1		11	
1a		7	2.00	20x	12.00	9		3		16		2		12	
2	3.00	8	1.50			10		4		17		3	21.50	13	
3		9	4.00			11		5		18		4	2.00	14	
4	18.50	10				12		6		19		5	3.75	15	
4a		11	3.00	1		13		7	3.50	20		6	2.00	16	
4b	2.00	12		1a		14		8	2.50	1		7	2.00	17	
4c	4.50	13		2		15		9		2		8	3.50	18	
5	10.00	14		3				10	12.00	3		9		19	
5a	3.00	15		4				11		4		10		20	
5b	6.00	16	2.00	5				12	110.00	5		11	2.50		
5c	4.00	17	1.50	6		1		13	13.00	6		12			
5d	7.50	18	10.00	7		1a		14	4.00	7		13		1	7.00
												14	2.00	2	14.50
														3	28.00
														4	28.50
														5	
														6	
														7	110.00
														8	
														9	
														10	
														11	
														12	
														13	
														14	12.00

STEERING GEOMETRY

CASTER: Series 2332, 1 1/2 to 1/2 degree negative, series 2333, 2 1/2 to 1 1/2 degree negative.

CAMBER: 1/4 degree negative to 1/4 degree positive.

TOE-IN: Zero to 1/16 inches.

KING PIN INCLINATION: 5 degrees 50 minutes.

ADJUSTMENT

CASTER is controlled by full turns of the upper eccentric pin.

CAMBER is controlled by eccentric upper pin and full range is obtained in one-half turn.

TOE-IN should be adjusted at both tie-rods to centralize steering.

