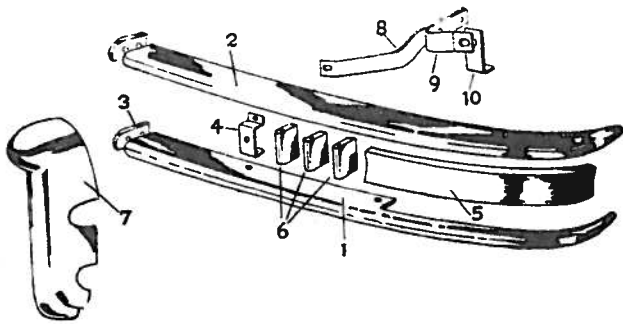


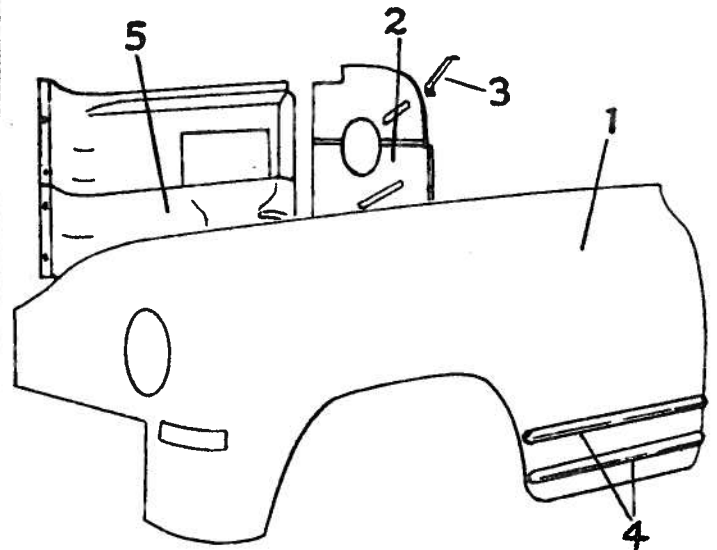
PACKARD SUPER and CUSTOM EIGHT 1948 BODY PARTS

Series 2202, 2206. ALL BODY STYLES



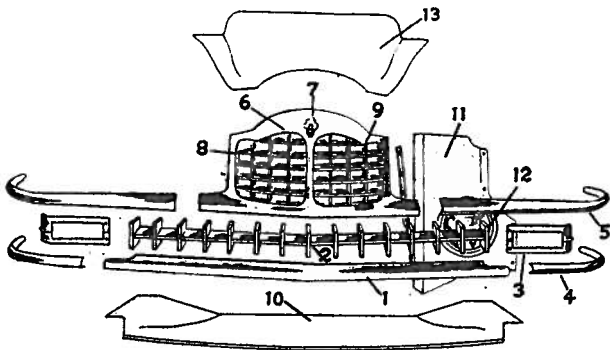
FRONT BUMPER ASSEMBLY

| Item Part No. | Description | Price | Item Part No. | Description | Price |
|---------------|---------------------------|---------|---------------|--------------------------|-------|
| 389475 | Bumper, 2202 | \$82.50 | 5 395342 | Panel, up. to low., 2202 | 7.70 |
| 395340 | Bumper, 2206 | 90.00 | 5 389481 | Panel, up. to low., 2206 | 4.00 |
| 1 389479 | Bar, face, L., low., 2202 | 19.80 | 6 389495 | Spacer | .30 |
| 1 395557 | Bar, face, L., low., 2206 | 17.00 | 7 389483 | Guard, L., front, 2202 | 11.00 |
| 2 389477 | Bar, face, L., up., 2202 | 17.60 | 7 395332 | Guard, L., front, 2206 | 15.40 |
| 2 395538 | Bar, face, L., up., 2206 | 16.00 | 395373 | Spacer, ornament, 2206 | 1.20 |
| 3 395719 | Cover, bar joint | 1.65 | 8 389487 | Bar, L., in. | 2.20 |
| 4 389484 | Bracket, up. to low. bar | 1.00 | 9 389489 | Bar, L., out. | 2.20 |
| 389499 | Shield, L. | N.P. | 10 389492 | Bracket, F. sup. | 1.10 |



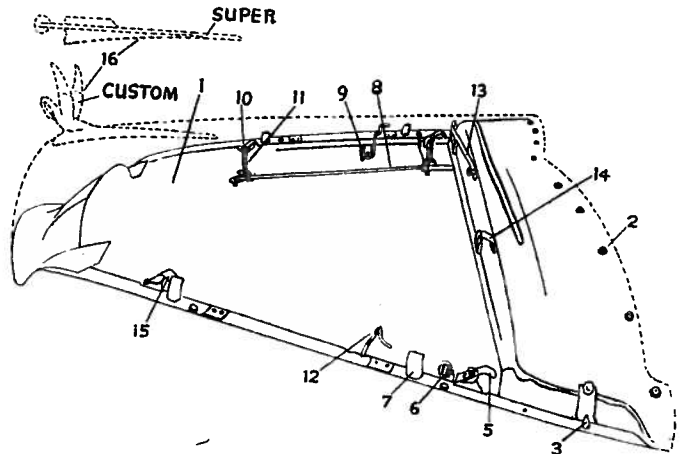
FRONT FENDER ASSEMBLY

| Item Part No. | Description | Price | Item Part No. | Description | Price |
|---------------|----------------------------|-------|---------------|------------------------------|-------|
| 1 391911 | Fender assy., L., 2252, 55 | 50.00 | 4 396622 | Mold., low., 2272, 75 | 1.00 |
| 1 391909 | Fender assy., L., 2272, 75 | 55.00 | 4 396624 | Mold., up., 2252, 55 | 1.20 |
| 363139 | Seal, fender | .02 | 5 396323 | Splasher, L., low., 2252, 55 | 5.00 |
| 372449 | Bracket, shield, L. | .41 | 5 396321 | Splasher, L., low., 2272 | 6.00 |
| 2 394739 | Shield, L., low. | 1.60 | 5 396327 | Splasher, L., up., 2252, 55 | 5.50 |
| 2 394737 | Shield, L., up. | .80 | 5 396325 | Splasher, L., up., 2272, 75 | N.P. |
| 3 391197 | Brace, L. | .30 | | | |
| 4 396623 | Mold., low., 2252, 55 | 1.20 | | | |



VENTILATOR ASSEMBLY

| Item Part No. | Description | Price | Item Part No. | Description | Price |
|---------------|--------------------------------------|-------|---------------|-------------------------------------|-------|
| 1 396378 | Mold., low. & cent., 2252, 55 | 17.50 | 8 396703 | Fin., L., up. cent., 2252, 55, hor. | 1.85 |
| 1 391216 | Mold., low. & cent., 2272, 75 | 16.00 | 9 396713 | Fin., L., cent., 2252, 55, vert. | 1.85 |
| 2 396383 | Reinfmt., L., 2252, 55 | .80 | 9 394735 | Fin., L., in., 2252, 55, vert. | 1.85 |
| 2 391377 | Reinfmt., L., 2272, 75 | .50 | 396715 | Fin., L., out., 2252, 55 | 1.85 |
| 3 391211 | Mold. side, L., 2272, 75, cent. | 1.40 | 394527 | Shield assy., 2272, 75 | 1.75 |
| 4 391213 | Mold., low. L., side | 3.00 | 10 399119 | Splasher, 2252, 55 | 6.00 |
| 5 391209 | Mold., up. L., side | 1.40 | 10 399833 | Splasher, 2272, 75 | 4.40 |
| 6 396361 | Grille assy., 2252, 55 | 33.00 | 357434 | Bumper, rad. splash | .07 |
| 6 391056 | Grille assy., 2272, 75 | 30.35 | 11 399357 | Splasher, rad. side, L. | N.P. |
| 7 391374 | Emblem | 2.00 | 12 396446 | Screen, air duct | .90 |
| 8 396383 | Fin. assy., L., 2252, 55, hor. | 16.00 | 13 394630 | Splasher, rad. top, 2252, 55 | 4.50 |
| 8 396705 | Fin., L., cent., 2252, 55, hor. | 1.85 | 13 394614 | Splasher, rad. top, 2272, 75 | 4.00 |
| 8 396709 | Fin., L., low., 2252, 55, hor. | 1.85 | 396633 | Grille, L., rear, 2252, 55 | 20.00 |
| 8 396707 | Fin., L., low. cent., 2252, 55, hor. | 1.85 | 396719 | Retainer, cent., 2252, 55 | .30 |
| 8 396701 | Fin., L., up., 2252, 55, hor. | 1.85 | 396721 | Retainer, out. L., 2252, 55 | .30 |

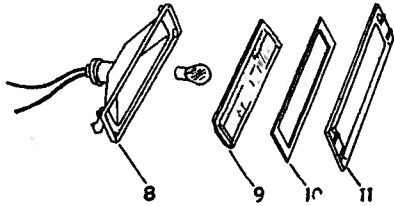
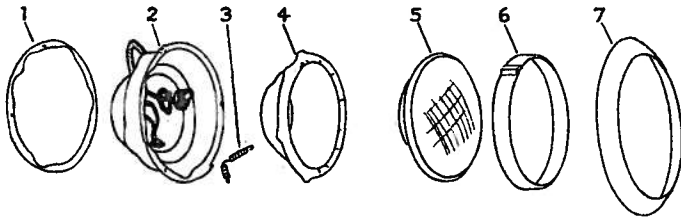


HOOD ASSEMBLY

| Item Part No. | Description | Price | Item Part No. | Description | Price |
|---------------|-------------------------|-------|---------------|-----------------------|-------|
| 1 391906 | Hood assy., 2202 | 38.00 | 8 391719 | Rod, clamp, 2206 | .70 |
| 1 391907 | Hood assy., 2206 | N.P. | 9 373764 | Spring, anti-rat. | .05 |
| 2 372174 | Bumper, to cowl | .07 | 10 372331 | Pin, lock clamp | .16 |
| 2 399324 | Bumper, pivot | .33 | 11 372450 | Spring, clamp | .12 |
| 2 372148 | Bumper, front | .12 | 12 399453 | Handle, brac., & link | N.P. |
| 2 407010 | Bumper, rear cor. | .03 | 13 396074 | Prop | .40 |
| 2 391463 | Bumper, fender | .05 | 399458 | Knob, handle | .50 |
| 3 378664 | Dowel, rear | .20 | 14 372483 | Rest, prop | .35 |
| 391757 | Pin., guide | .30 | 17 383366 | Spring, prop ten. | .12 |
| 5 372295 | Clamp, lock, L.F. | .46 | 15 370413 | Catch assy., L. | .70 |
| 5 399529 | Clamp, lock, L.R., 2202 | .90 | 19 372341 | Anti-rat., catch | .14 |
| 5 399531 | Clamp, lock, L.R., 2206 | 1.30 | 20 378514 | Spring, catch | .10 |
| 6 399527 | Roller, lock | .30 | 21 394756 | Ornament, 2202 | N.P. |
| 7 372305 | Bracket, L., lock | .46 | 22 394757 | Ornament, 2206 | N.P. |
| 8 372338 | Rod, clamp, 2202 | .46 | 22 391427 | Wthstp., cowl | N.P. |
| | | | 23 391519 | Retainer, wthstp. | N.P. |

BODY PARTS 1948 SUPER and CUSTOM EIGHT PACKARD

Series 2202, 2206. ALL BODY STYLES

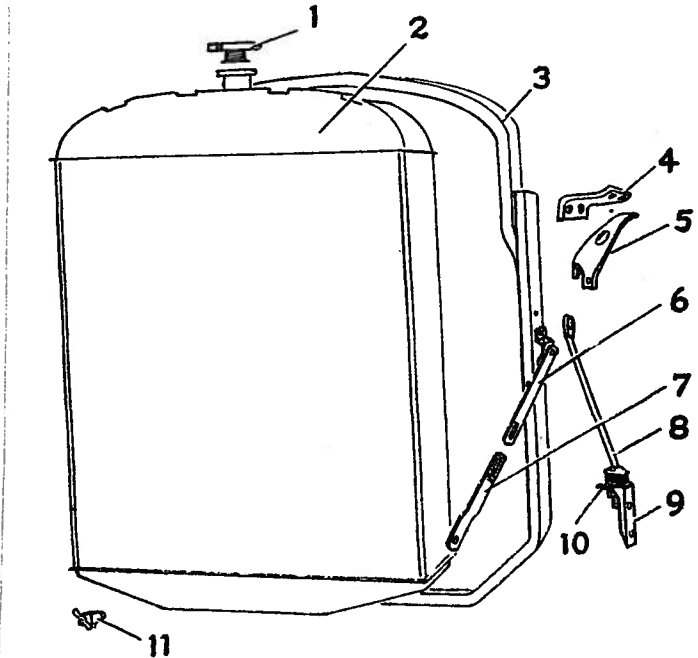


HEADLAMP ASSEMBLY

| Item Part No. | Description | Price |
|---------------|---------------------|-------|
| 393696 | Headlamp, L. | 15.40 |
| 1 371402 | Gasket, fender | .28 |
| 2 393702 | Body assy. | 3.00 |
| 5 339528 | Bulb | 1.30 |
| 4 371404 | Mount. assy. | 2.05 |
| 6 354145 | Retainer, bulb | 1.85 |
| 410044 | Cable assy., L. | 2.00 |
| 351167 | Junction block | .30 |
| 7 394717 | Door, 2202 | 2.75 |
| 7 394718 | Door, 2206 | 3.00 |
| 383490 | Switch assy., dim. | 1.15 |
| 311729 | Cap, dim. sw. | .14 |
| 393563 | Switch assy., hdlp. | 2.75 |
| 410047 | Circuit breaker | 1.00 |
| 399564 | Bracket, indicat. | .70 |
| 403820 | Socket & cable | .30 |

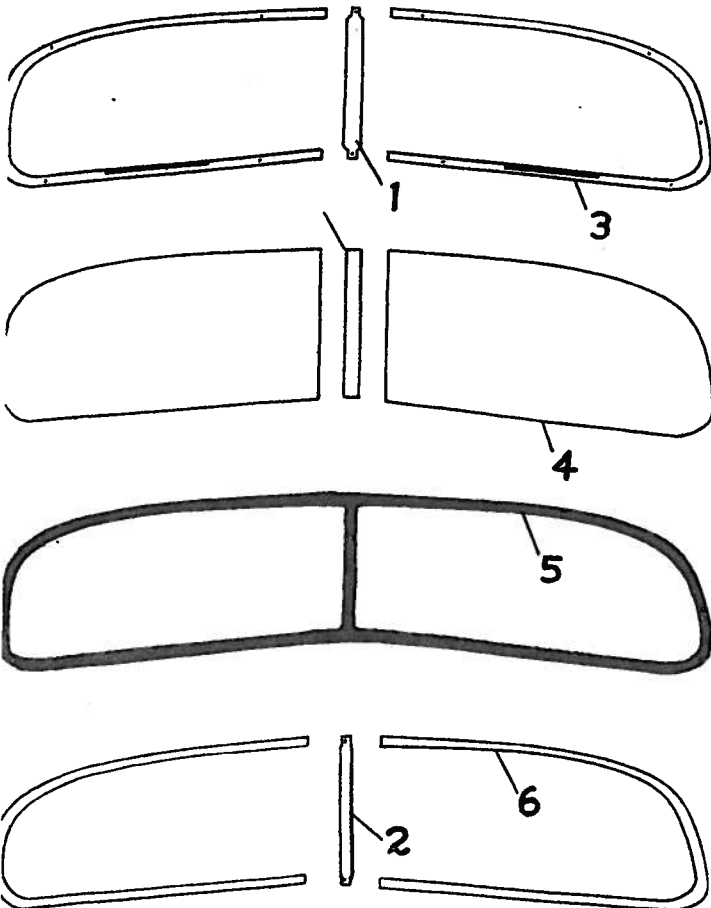
PARKING LAMP ASSEMBLY

| Item Part No. | Description | Price |
|---------------|------------------------|-------|
| 393619 | Light assy., L., 2202 | 9.50 |
| 396369 | Light assy., L., 2206 | 10.00 |
| 8 393712 | Body & cable, L. | 3.60 |
| 8 399331 | Body & cable, L., 2206 | 4.00 |
| 11 399329 | Door, L., 2206 | 2.80 |
| 11 393627 | Door, 2202 | 1.65 |
| 393642 | Gasket, 2202 | .50 |
| 399326 | Gasket, 2206 | .18 |
| 9 393625 | Glass, 2202 | 1.00 |
| 9 399332 | Glass, 2206 | .70 |
| 10 393626 | Gasket, glass, 2202. | .30 |
| 10 399747 | Gasket, glass, 2206 | .30 |



RADIATOR ASSEMBLY

| Item Part No. | Description | Price | Item Part No. | Description | Price |
|---------------|---------------------|-------|---------------|----------------------|-------|
| 1 377265 | Cap | 1.40 | 395822 | Bracket, L., 2206 | .60 |
| 2 389589 | Core assy., 2202 | 92.00 | 8 389867 | Tie rod, cradle | 1.00 |
| 2 389589 | Core assy., 2206 | 92.00 | 9 362825 | Bracket, tie rod | .46 |
| 3 389850 | Cradle assy., 2202 | 8.25 | 10 202504 | Grommet, tie rod | .15 |
| 3 389852 | Cradle assy., 2206 | 10.00 | 10 362357 | Guide | .02 |
| 4 395956 | Bracket, fender, L. | .90 | 10 202221 | Retainer | .05 |
| 5 391887 | Brace, L., fender | .50 | 11 378248 | Drain cock | .48 |
| 6 403600 | Brace, up., 2202 | .50 | 389599 | Elbow, outlet, 2202. | 1.55 |
| 7 403601 | Brace, up., 2202 | .50 | 389598 | Elbow, outlet, 2206. | 1.15 |
| 395828 | Brace, L., 2206 | .70 | | | |



INSTRUMENT PANEL

| Item Part No. | Description | Price | Item Part No. | Description | Price |
|---------------|--------------------------|-------|---------------|------------------------------|-------|
| 1 405502 | Panel assy., brown, 2202 | 13.00 | 4 396675 | Knob, map light | 1.00 |
| 1 391517 | Panel assy., gray, 2202 | 14.00 | 4 396672 | Knob, defroster | 1.00 |
| 396539 | Receiver, ash | 1.00 | 4 396671 | Knob, heater | 1.00 |
| 396479 | Cover, receiver | 1.40 | 4 396673 | Knob, fog light | 1.00 |
| 396535 | Shield, ash rec. | .04 | 405432 | Panel, inst. cluster | 2.00 |
| 396487 | Trim, cent. pan. | 11.00 | 396470 | Panel, cluster trim | N.P. |
| 2 399777 | Screen, radio, brown | N.P. | 396487 | Mold., inst. cluster, low. | .50 |
| 2 399776 | Screen, radio, gray | N.P. | 396486 | Mold., inst. cluster, up. | .80 |
| 3 405017 | Box assy. | 2.00 | 396485 | Trim, inst. pan., L., chrome | .50 |
| 3 396590 | Hinge assy., glove comp. | 2.50 | 396453 | Cover, radio | 2.50 |
| 376017 | Stop, glove | .02 | 5 410012 | Ammeter | 1.95 |
| 399394 | Mold., G.B. | .90 | 6 393716 | Clock | 19.55 |
| 4 399293 | Knob, cigar light | 1.30 | 7 410007 | Gauge, gas | 1.95 |
| 4 396674 | Knob, elec. clutch | 1.00 | 8 410008 | Gauge, oil | 1.95 |
| 4 396669 | Knob, hdlp. sw. | .80 | 9 410009 | Gauge, temp. | 1.95 |
| 4 396670 | Knob, inst. sw. | 1.00 | 10 410013 | Speedometer | 12.50 |

WINDSHIELD ASSEMBLY

| Item Part No. | Description | Price | Item Part No. | Description | Price |
|---------------|-----------------------------|-------|---------------|----------------------------|-------|
| 378065 | Reinfmt. | 1.00 | 3 399806 | Mold., in., 2272, 75, gray | 3.90 |
| 1 380314 | Mold. div., in. | 3.00 | 372018 | Plug, fin. mold. | .14 |
| 1 399804 | Mold. div., in., gray | .90 | 995102 | Cordwelt, 2272, 75 | .60 |
| 1 399803 | Mold. div., in., brown | 1.00 | 895099 | Cordwelt, 2252, 55 | .90 |
| 2 376695 | Mold. div., out. | 2.30 | 6 369435 | Rim, fin., out. L. | 4.14 |
| 3 374952 | Mold., in., 2252, 55 | 17.25 | 4 370168 | Glass | 11.05 |
| 3 399805 | Mold., in., 2272, 75, brown | 6.00 | 5 370169 | Wthstp., glass | 6.00 |

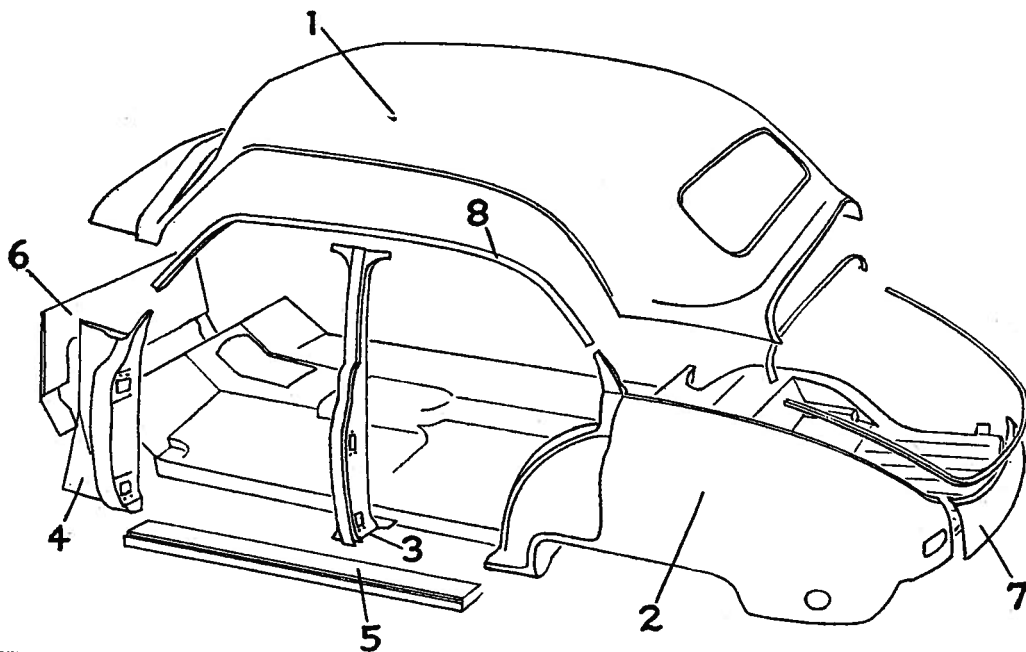
PACKARD SUPER and CUSTOM EIGHT 1948 BODY PARTS

Series 2202, 2206. ALL BODY STYLES

CAR BODY

2 AND 4 DOOR TYPE

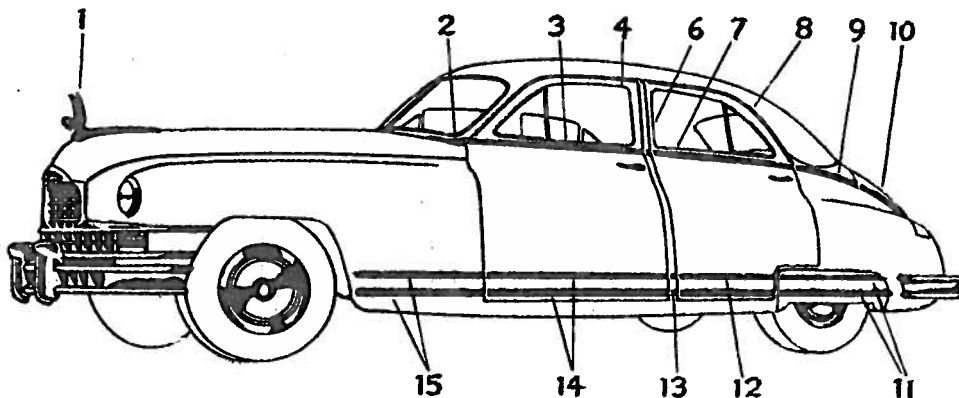
| Item | Part No. | Description | Price |
|------|----------|--------------------------------|--------|
| 1 | 411507 | Roof Assy., 2252, 72 | 66.00 |
| 1 | 411506 | Roof Assy., 2255, 75 | 100.00 |
| 2 | 411857 | Fender & whhouse, L., 2252, 72 | 50.00 |
| 2 | 411859 | Fender & whhouse, L., 2255, 75 | 70.00 |
| | 391009 | Panel, rep., L., 2252, 72 | 16.50 |
| | 391011 | Panel, rep., L., 2255, 75 | 17.00 |
| 3 | 391421 | Pillar, cent. L., 2252, 72 | 1.20 |
| 4 | 391159 | Panel, L., cowl side | 9.00 |
| 5 | 391921 | Panel, sill, L., 2252, 72 | 2.75 |
| 5 | 391923 | Panel, sill, L., 2255, 75 | 2.75 |
| 6 | 391147 | Panel, dash Assy. | N.P. |
| 7 | 396416 | Panel, R. cent., low. | |
| 8 | 391453 | Mold., L., gutter, 2252, 72 | N.P. |
| 8 | 391257 | Mold., L., gutter, 2255, 75 | N.P. |
| | 396097 | Rail, roof, L., 2252, 72 | 3.30 |
| | 391245 | Rail, roof, L., 2255, 75 | 2.00 |
| | 391651 | Reinfmt., L., 2252, 72 | 1.35 |
| | 366783 | Reinfmt., L., 2255, 75 | .60 |
| | 403063 | Gas tank Assy. | 13.80 |



OUTSIDE MOLDING

4 DOOR

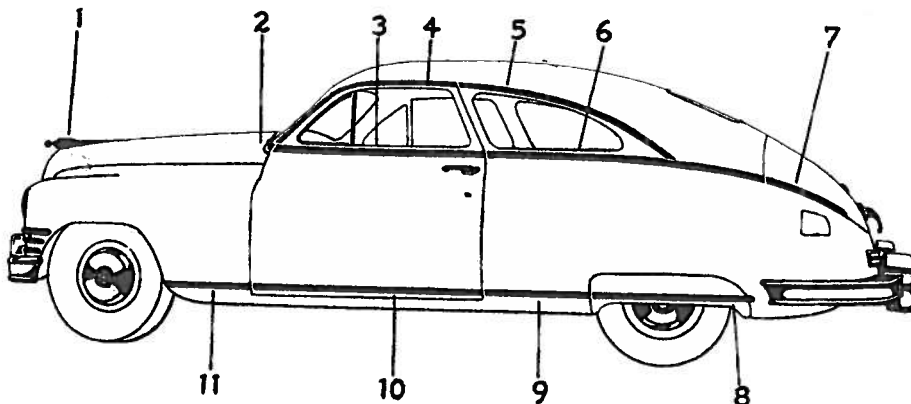
| Item | Part No. | Description | Price |
|------|----------|-------------------------------------|-------|
| 1 | 383544 | Ornament Assy. | 4.05 |
| 2 | 391389 | Mold., L., cowl belt | 2.50 |
| 3 | 391031 | Mold., L., front door belt | 2.80 |
| 4 | 391363 | Rim, L., window finish | 1.50 |
| 5 | 391411 | Rim, center pillar finish | .40 |
| 6 | 391222 | Mold., center pillar belt | .60 |
| 7 | 391251 | Mold., L., rear door belt | 2.80 |
| 8 | 391365 | Rim, L., window finish | 1.50 |
| 9 | 391249 | Mold., L., rear qtr. belt | 1.50 |
| 10 | 398459 | Mold., L., trunk lid belt | 1.50 |
| 11 | 398425 | Mold., L., up. rear fender shroud | 1.20 |
| 11 | 398427 | Mold., L., low. rear fender shroud | 1.20 |
| 12 | 398415 | Mold., L., up. bottom side door | 1.50 |
| 12 | 398412 | Mold., L., low. bottom side door | 2.00 |
| 13 | 396403 | Mold., center pillar bottom and up. | .60 |
| 14 | 396410 | Mold., bottom door, L. | 2.00 |
| 15 | 398623 | Mold., low. front fender side, L. | 1.20 |



OUTSIDE MOLDING

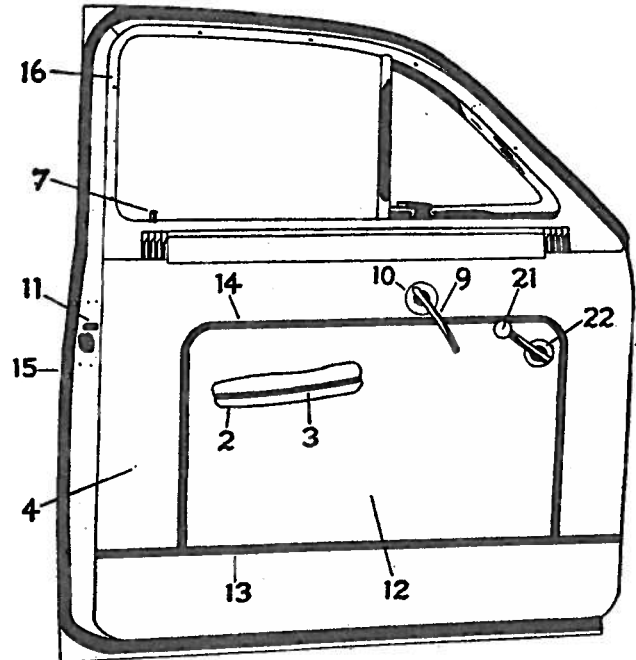
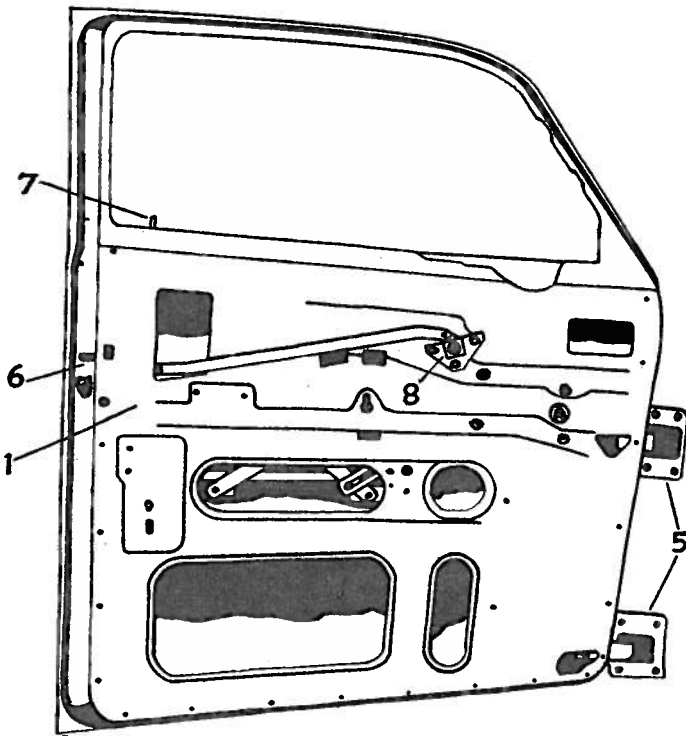
2 DOOR

| Item | Part No. | Description | Price |
|------|----------|--|-------|
| 1 | 383544 | Ornament Assy. | 4.05 |
| 2 | 391389 | Mold., L., cowl belt | 2.50 |
| 3 | 391241 | Mold., L., door belt | 2.00 |
| 4 | 391367 | Rim, L., window finish, door | 1.50 |
| 5 | 391369 | Rim, window finish, L., rear qtr. | 1.50 |
| 6 | 391219 | Mold., L., rear qtr. belt | 1.65 |
| 7 | 398457 | Mold., L., trunk lid belt | 2.30 |
| 8 | 398427 | Mold., L., rear fender shroud | 1.20 |
| 9 | 398413 | Mold., rear fender bottom, low. | 1.20 |
| 10 | 398407 | Mold., door bottom | 2.00 |
| 11 | 398623 | Mold., L., low. front fender, 2255 | 1.20 |
| 11 | 398622 | Mold., L., low. front fender, 2265, 75 | 1.00 |



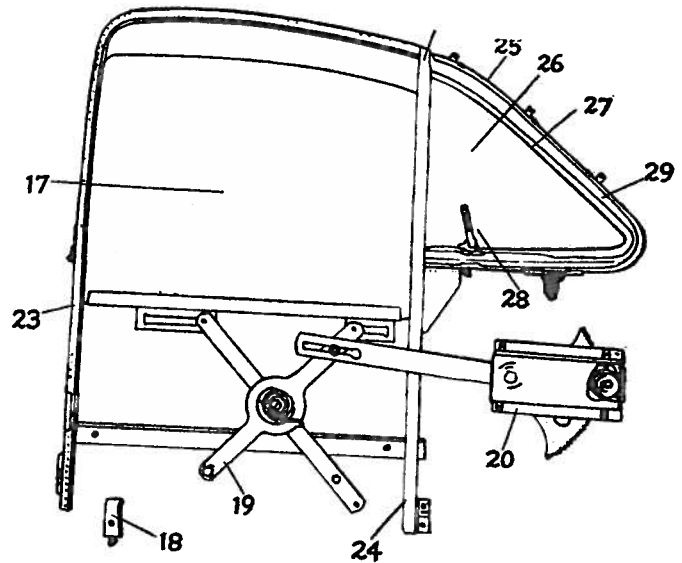
BODY PARTS 1948 SUPER and CUSTOM EIGHT PACKARD

Series 2202, 2206. ALL BODY STYLES



FRONT DOOR ASSEMBLY 2 AND 4 DOOR TYPE

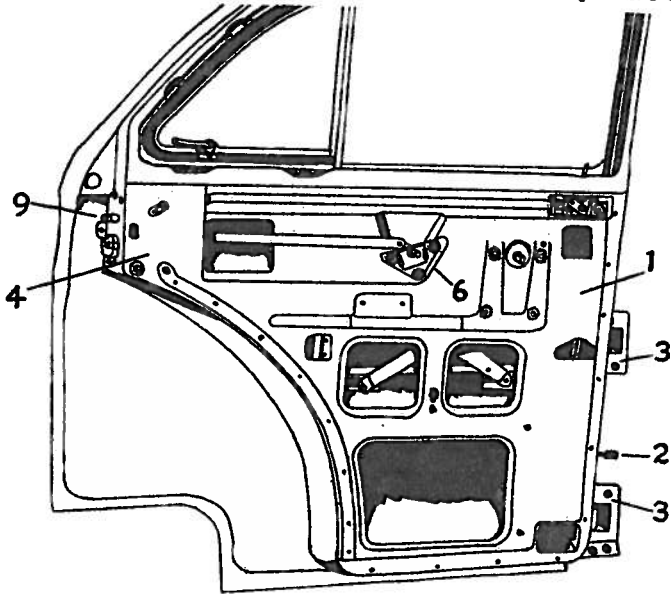
| Item | Part No. | Description | Price | Item | Part No. | Description | Price |
|------|----------|---------------------------------|-------|------|----------|---------------------------------------|-------|
| 1 | 411385 | Door, L., 2252, 72.. | 39.00 | 12 | 256471 | Trim panel, L., 2255 | 33.00 |
| 1 | 411389 | Door, L., 2255, 75.. | 45.00 | 12 | 256496 | Trim panel, L., 2252 | 33.00 |
| 1 | 411529 | Panel, L., rep. | 13.20 | 12 | 253975 | Trim panel, L., 2272, cloth | 22.00 |
| 2 | 253916 | Arm rest, 2252, 72, cloth | 4.00 | 12 | 256425 | Trim panel, L., 2272, leather | 17.50 |
| 2 | 256481 | Arm rest, 2255 | 2.75 | 12 | 256130 | Trim panel, L., 2275 | 23.00 |
| 2 | 256087 | Arm rest, 2275 | 2.50 | 13 | 399783 | Mold., trim pan., 2252, 72 | 1.00 |
| 3 | 405359 | Mold., rest | .24 | 13 | 399793 | Mold., trim, low., 2275 | 1.10 |
| 4 | 253914 | Trim, cover L., 2252, 72, cloth | .80 | 14 | 405786 | Mold., trim, up., 2252 | 1.00 |
| 4 | 256479 | Trim, cover L., 2255 | N.P. | 14 | 405811 | Mold., trim, up., 2255 | 1.10 |
| 4 | 253787 | Trim, cover L., 2272 | .80 | 14 | 399785 | Mold., trim, L., up., 2272 | 1.70 |
| 4 | 256089 | Trim, cover L., 2275 | .90 | 14 | 399795 | Mold., trim, L., up., 2275 | 1.90 |
| | 396410 | Mold., out., 2252, 72 | 2.00 | | 405777 | Panel, trim, L., 2252 | 10.00 |
| | 396407 | Mold., out., 2255, 75 | 2.00 | | 405779 | Panel, trim, L., 2255 | 8.00 |
| | 372652 | Bumper, cent. pillar, 2252, 72 | .28 | | 391443 | Wthstp., hinge pillar, L. | 3.00 |
| | 372249 | Arm, check | .41 | 15 | 391619 | Wthstp., lock side, up., L., 2252, 72 | 1.80 |
| 5 | 391321 | Hinge assy., L., low | N.P. | 15 | 391623 | Wthstp., lock side, L., up., 2255, 75 | 1.70 |
| 5 | 391193 | Hinge assy., L., up | 3.00 | 15 | 391643 | Wthstp., low L., 2252, 72 | 2.50 |
| 6 | 396063 | Lock assy., L., 2252, 55 | 10.00 | 15 | 391625 | Wthstp., L. door, low, 2255, 75 | 2.50 |
| 6 | 396061 | Lock assy., L., 2272, 75 | 3.50 | | 251032 | Wdcord, L., cloth, 2252, 72 | 3.20 |
| | 391617 | Case assy. | 1.50 | | 251988 | Wdcord, L., 2255, 75 | 2.50 |
| | 396657 | Handle, one screw, L. | 3.50 | | 975075 | Wdcord, L., 2272, leather | 3.60 |
| | 401375 | Handle, L., 2 screws | 3.50 | | 376689 | Seal, window, in., L., 2252, 72 | .70 |
| | 401444 | Gasket, 2 screws.. | .03 | | 375153 | Seal, in. L., 2255, 75 | .90 |
| | 399192 | Gasket, 1 screw .. | .02 | 16 | 411241 | Mold., L., brown, 2252, 72 | 8.00 |
| 7 | 399712 | Knob, gray | .10 | 16 | 411237 | Mold., L., brown, 2255, 75 | 8.50 |
| 7 | 399713 | Knob, tan, 2272, 75 | .10 | 16 | 411247 | Mold., L., gray, 2272 | 7.50 |
| 8 | 372357 | Remote con., L., 2272 | .85 | 16 | 411245 | Mold., L., gray, 2275 | 8.50 |
| 8 | 405469 | Remote con., L., 2255 | 1.10 | | 374395 | Trim, strip, L., 2255, 75 | 2.55 |
| 8 | 374293 | Remote con., L., 2275 | .85 | | 374407 | Plate, L., trim strip | 1.60 |
| 9 | 396478 | Handle, R.C., inside | .90 | 17 | 369651 | Glass, 2252, 72 | 4.45 |
| | 405332 | Plate, in., 2252, 55.. | .20 | 17 | 374654 | Glass, 2255, 75 | 6.25 |
| | 405301 | Plate, out., 2252, 55 | .20 | 18 | 370378 | Stop, window | .14 |
| 10 | 399096 | Plate, handle, 2272, 75 | .50 | 19 | 370425 | Lifter assy., L., 2252, 72 | .80 |
| | 405373 | Spring, remote con., 2252, 55 | .01 | 19 | 385685 | Lifter assy., L., 2255, 75 | 2.75 |
| | 133264 | Spring, remote con., 2272, 75 | .07 | | 376249 | Cushion, .080 x 1 1/4" | .09 |
| 11 | 380167 | Striker assy., L., 2252, 55 | 2.00 | | | | |
| 11 | 372899 | Striker assy., L., 2272, 75 | .80 | | | | |
| | 372729 | Plate assy. striker. | .28 | | | | |



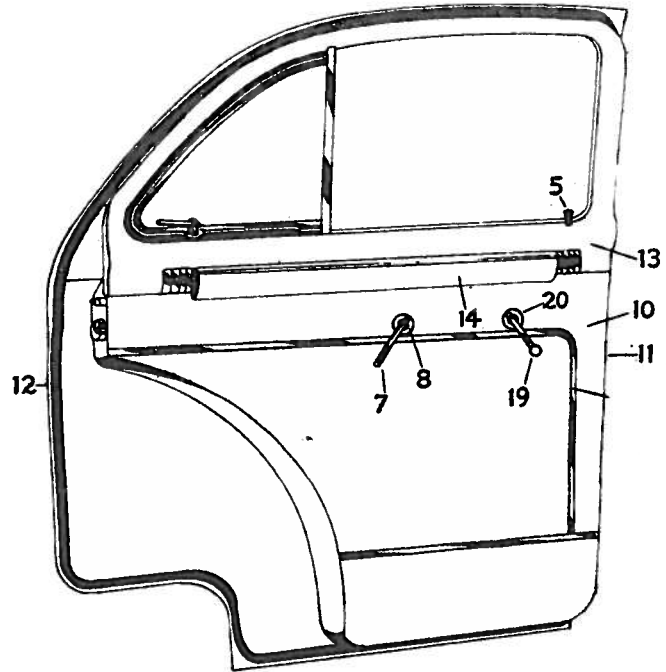
| Item | Part No. | Description | Price | Item | Part No. | Description | Price |
|------|----------|----------------------------|-------|------|----------|----------------------------|-------|
| 20 | 370271 | Regitr. assy., L., 2272 | 2.05 | 23 | 391367 | Rim, L., 2255, 75 ... | 1.50 |
| 20 | 405393 | Regitr. assy., L., 2252 | 2.00 | 23 | 385695 | Runway, rear, L., 2255, 75 | 2.30 |
| 20 | 405391 | Regitr. assy., L., 2255 | 2.00 | 24 | 372637 | Runway, front, 2252, 72 | 1.40 |
| 20 | 383269 | Regitr. assy., L., 2275 | 2.00 | 24 | 385690 | Runway, front, 2255, 75 | .80 |
| | 372349 | Arm & pivot, L., 2252, 55 | 1.40 | | 380555 | Retainer, L.R., 2252, 72 | .60 |
| | 370420 | Plate, roller guide.. | .28 | | 372053 | Retainer, L.F., 2252, 72 | .290 |
| 21 | 396481 | Handle, reg., 2252, 55 | 1.90 | 25 | 405367 | Vent., L., 2252, 72.. | 14.00 |
| 21 | 396480 | Handle, reg., 2272, 75 | 1.90 | 25 | 405365 | Vent., L., 2255, 75.. | 15.00 |
| 22 | 405332 | Escutcheon, in., 2252, 55 | 1.00 | 26 | 370166 | Glass, vent. | 2.00 |
| | 405301 | Escutcheon, out., 2252, 55 | .20 | | 311439 | Cushion, .070 x 1 1/4" | N.P. |
| | 399096 | Escutcheon, 2272, 75 | .50 | | 353194 | Cushion, .080 x 1 1/4" | N.P. |
| | 405373 | Spring, escut., 2252, 55 | .01 | 27 | 376633 | Glass & retainer, L. | 5.75 |
| | 133264 | Spring, escut., 2272, 75 | .07 | | 372775 | Retainer, glass | 4.05 |
| | 391363 | Rim, L., 2252, 72 ... | 1.50 | | 372959 | Striker plate | .28 |
| | | | | 28 | 398571 | Handle, vent., L. ... | .70 |
| | | | | | 372999 | Shaft, handle | .35 |
| | | | | 29 | 372843 | Pivot, female, L.... | N.P. |
| | | | | | 370401 | Wthstp., L. | 1.50 |
| | | | | | 380497 | Retainer, L., 2252, 72 | 4.60 |

PACKARD SUPER and CUSTOM EIGHT 1948 BODY PARTS

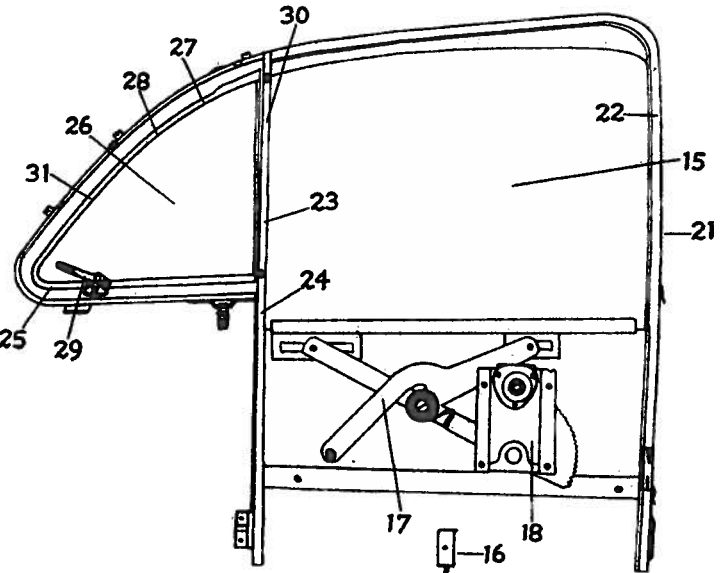
Series 2202, 2206. ALL BODY STYLES



REAR DOOR ASSEMBLY
4 DOOR

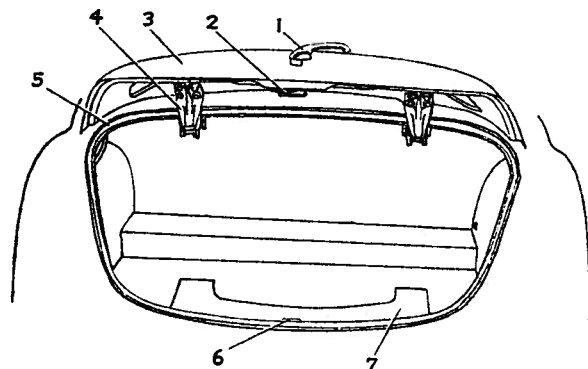


| Item | Part No. | Description | Price | Item | Part No. | Description | Price | |
|------|----------|--------------------------------|-------|------|----------|---------------------------|------------------------|------|
| 1 | 411361 | Door, L. | 33.00 | 12 | 252949 | Wdcord, L., 2272, leather | 1.60 | |
| | 411531 | Panel rep., L., out. | 10.20 | | 376725 | Seal, in. L. | .90 | |
| | 396415 | Mold., L., up., 2252 | 1.50 | | 376693 | Seal, out. L. | .60 | |
| | 396412 | Mold. | 2.00 | 13 | 411231 | Mold., L., brown | 7.50 | |
| | 372341 | Bumper | .14 | 13 | 411235 | Mold., L., gray | 7.50 | |
| 2 | 372190 | Check arm assy. | .41 | 14 | 376610 | Trim strip | 2.10 | |
| | 370405 | Bracket, check arm | .41 | | 374407 | Plate, window trim | 1.60 | |
| | 370406 | Retainer, check arm | .46 | 15 | 370041 | Glass | 4.45 | |
| | 372091 | Bumper, check arm | N.P. | 16 | 370378 | Stop, glass | .14 | |
| 3 | 391473 | Hinge, L., low. | 1.80 | 18 | 370479 | Support, stop | .60 | |
| 4 | 396087 | Lock assy., L., 2252 | 10.00 | 17 | 370437 | Lifter assy., L. | .85 | |
| 4 | 396065 | Lock assy., L., 2272 | 3.00 | 18 | 370273 | Regltr., L., 2272 | 2.70 | |
| | 396657 | Handle, L., in. screw | 3.50 | 18 | 409395 | Regltr., L., 2252 | N.P. | |
| | 401375 | Handle, L., in. & out. screw | 3.50 | | 370420 | Plate, roller | .28 | |
| | 399192 | Gasket, 1 screw | .02 | 19 | 396481 | Handle, 2252 | 1.90 | |
| | 401444 | Gasket, 2 screws | .03 | 19 | 396480 | Handle, 2272 | 1.00 | |
| | 391550 | Control, L., lock rod | .90 | 20 | 405332 | Escutcheon, in., 2252 | .20 | |
| 5 | 399712 | Knob, gray | .10 | 20 | 405301 | Escutcheon, out., 2252 | .20 | |
| 5 | 399713 | Knob, tan, L., 2272 | .10 | 20 | 399096 | Escutcheon, 2272 | .50 | |
| 6 | 405385 | Remote control, 2252 | .90 | 20 | 391365 | Rim, L., window | 1.50 | |
| | 396073 | Remote control, L., 2272 | .80 | 21 | 376601 | Runway, L. | 2.00 | |
| 7 | 396478 | Handle, R.C. | .90 | 22 | 380555 | Retainer, F. runway, L. | .60 | |
| 8 | 405332 | Escutcheon, in., 2252 | .20 | 23 | 372638 | Runway, window, R. | 1.75 | |
| | 405301 | Escutcheon, out., 2252 | .20 | 24 | 376271 | Retainer, runway, rear | 4.15 | |
| | 399096 | Escutcheon, 2272 | .50 | 25 | 405389 | Vent. assy., L. | 14.00 | |
| | 405373 | Spring, plate, 2252 | .01 | | 405751 | Deflector, L., brown | 2.00 | |
| | 133264 | Spring, plate, 2272 | .07 | | 405753 | Deflector, L., gray, 2272 | .70 | |
| 9 | 399203 | Striker, lock, 2252 | 2.00 | | 372797 | Bracket, deflector | .14 | |
| 9 | 399141 | Striker, lock, 2272 | .40 | 26 | 370395 | Glass, vent. | 2.00 | |
| 10 | 256506 | Panel, trim, L., 2252 | 16.50 | 27 | 376635 | Glass & ret., L. | 5.75 | |
| 10 | 253983 | Panel, trim, L., 2272, cloth | 13.00 | | 311439 | Cushion, .070 x 1 1/4" | N.P. | |
| 10 | 256415 | Panel, trim, L., 2272, leather | N.P. | | 353194 | Cushion, .080 x 1 1/4" | N.P. | |
| | 405783 | Mold., trim, L., up., 2252 | 1.00 | 28 | 372781 | Retainer, L., vent. glass | 4.15 | |
| | 399789 | Mold., trim, L., up., 2272 | 1.00 | 29 | 396571 | Handle, L., vent. | .70 | |
| 11 | 391603 | Wthstp., L., hinge side | 2.00 | | 372998 | Shaft, handle | .35 | |
| 11 | 396245 | Wthstp., L., lock side | 1.50 | | 372959 | Plate, vent. lock | .28 | |
| 11 | 391553 | Wthstp., L., low. | 2.00 | | 380285 | Seal, vent. lock | .06 | |
| 12 | 252947 | Wdcord, L. | 1.70 | | 372537 | Pivot, vent. | N.P. | |
| | | | | | 372697 | Stud, pivot, up. | .28 | |
| | | | | | 30 | 372037 | Wthstp., L., vent., F. | .46 |
| | | | | | 31 | 370403 | Wthstp., L., vent., R. | 1.50 |
| | | | | | | 380499 | Retainer assy., L. | 3.80 |

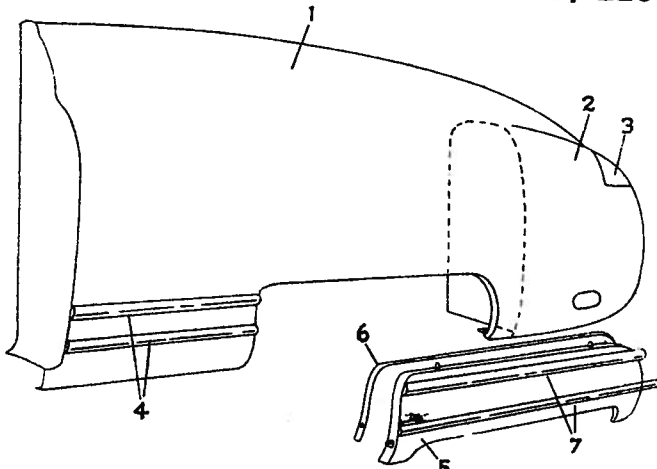


DECK LIDS

| Item | Part No. | Description | Price | Item | Part No. | Description | Price |
|------|----------|-----------------------|-------|------|----------|--------------------|-------|
| 7 | 397118 | Insulation | 3.00 | 1 | 398641 | Handle assy., lid. | 3.00 |
| 3 | 396654 | Lid assy., 2252, 72. | 27.00 | | 399137 | Gasket, lid | .10 |
| 3 | 396652 | Lid assy., 2255, 75. | 18.00 | 6 | 372575 | Striker, lid lock | .60 |
| 4 | 385326 | Hinge assy., 2252, 72 | 3.50 | 6 | 392621 | Bracket, striker | 1.00 |
| 4 | 385327 | Hinge assy., 2255, 75 | 3.50 | 6 | 372493 | Plate, striker | .09 |
| 2 | 372343 | Lock assy., lid | 2.75 | | 396697 | Script, lid | 2.75 |
| | 399056 | Cyl. & case assy. | 1.70 | 5 | 380263 | Wthstp., 2252, 72. | 4.15 |
| | 405716 | Gasket, lid | .02 | 5 | 385296 | Wthstp., 2255, 75. | 6.95 |

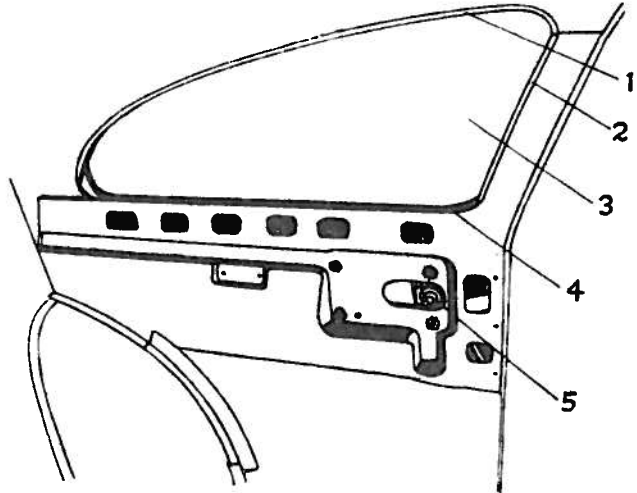


BODY PARTS 1948 SUPER and CUSTOM EIGHT PACKARD Series 2202, 2206. ALL BODY STYLES



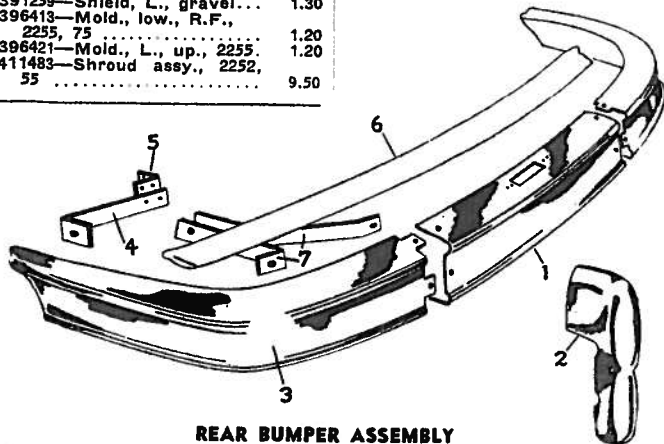
REAR FENDER ASSEMBLY

| Item Part No. | Description | Price | Item Part No. | Description | Price |
|---------------|---------------------------------|-------|---------------|--------------------------|-------|
| 1 411857 | Fender & whhouse., L., 2252, 72 | 50.00 | 5 411485 | Shroud assy., 2272, 75 | 9.35 |
| 1 411859 | Fender & whhouse., L., 2255, 75 | 70.00 | 6 399897 | Anti-squeak shroud | .30 |
| 2 391009 | Panel, rep., L., 2252, 72 | 16.50 | 399659 | Bracket, L., shroud | .16 |
| 2 391011 | Panel, rep., L., 2255, 75 | 17.00 | 399941 | Bracket, L., fender | .90 |
| 3 396352 | Lid, gas filler | 1.20 | 7 396427 | Mold., L., low | 1.20 |
| 357434 | Bumper, gas filler | .07 | 7 396425 | Mold., L., up., 2252, 55 | 1.20 |
| 391326 | Hinge, filler lid | N.P. | 8 372495 | Seal, rear fender | .41 |
| 391259 | Shield, L., gravel | 1.30 | | | |
| 4 396413 | Mold., low., R.F., 2255, 75 | 1.20 | | | |
| 4 396421 | Mold., L., up., 2255, 75 | 1.20 | | | |
| 5 411483 | Shroud assy., 2252, 55 | 9.50 | | | |



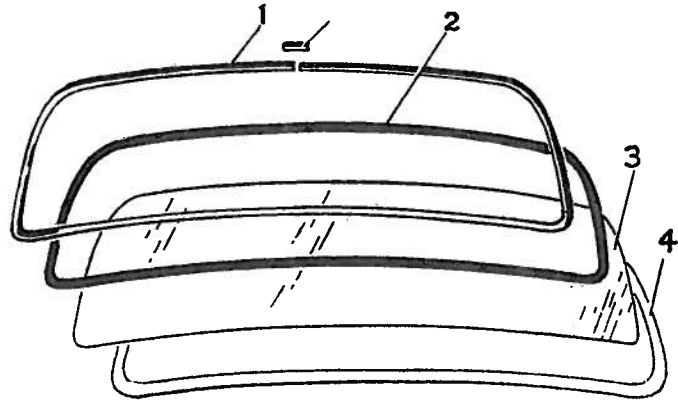
REAR QUARTER WINDOW 2 DOOR

| Item Part No. | Description | Price | Item Part No. | Description | Price |
|---------------|------------------------|-------|---------------|------------------|-------|
| 1 411249 | Mold. assy., L., brown | 8.00 | 3 374883 | Glass | 8.65 |
| 1 411253 | Mold. assy., L., gray | 8.00 | 4 374403 | Seal, in. L. | 1.15 |
| 2 375158 | Trim strip | 1.93 | 4 375031 | Seal, out. L. | 1.15 |
| | | | 5 374317 | Lifter assy., L. | 1.15 |



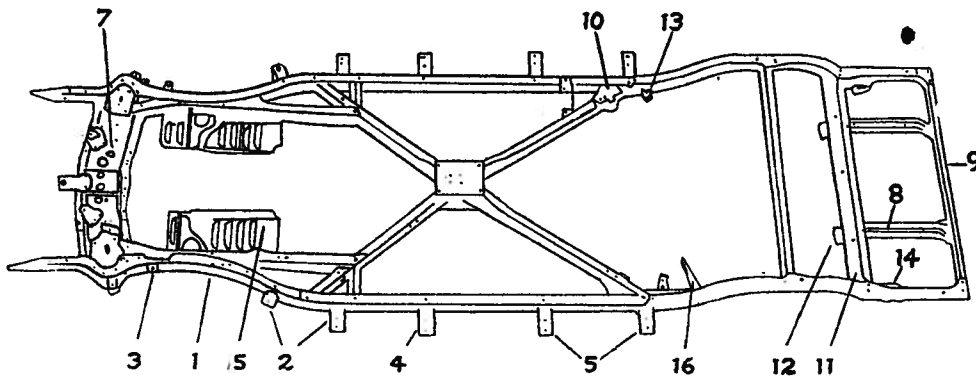
REAR BUMPER ASSEMBLY

| Item Part No. | Description | Price | Item Part No. | Description | Price |
|---------------|-------------------------|-------|---------------|-------------------------|-------|
| 389428 | Bumper asy., 2202 | 80.00 | 3 395546 | Guard, L., fender, 2202 | 30.00 |
| 395343 | Bumper asy., 2206 | 75.00 | 4 395568 | Bar, RF, sup. | 1.65 |
| 1 395346 | Bar, face, 2202 | 24.20 | 5 403013 | Bracket, rear F. sup. | .44 |
| 1 389514 | Bar, face, 2206 | 18.00 | 6 401839 | Shield, R. stone | 4.00 |
| 2 389515 | Guard, L., 2202 | 11.00 | 391600 | Seal, rear shield | .80 |
| 2 395529 | Guard, L., 2206 | 15.40 | 7 387989 | Bar, rear sup., in. | 2.00 |
| 3 395548 | Guard, L., fender, 2202 | 30.00 | 7 395570 | Bar, rear sup., out. | 1.65 |



REAR WINDOW ASSEMBLY

| Item Part No. | Description | Price | Item Part No. | Description | Price |
|---------------|------------------------------|-------|---------------|------------------------------|-------|
| 3 389334 | Glass, ex., 2275 | 13.80 | 4 399809 | Mold., fin., 2255, 75, brown | 4.50 |
| 3 374222 | Glass, 2275 | 20.15 | 4 399808 | Mold., fin., 2272, gray | 4.00 |
| 2 389335 | Wthstp, glass, 2252, 72 | 2.90 | 4 399810 | Mold., fin., 2273, gray | 4.50 |
| 2 374223 | Wthstp, glass, 2255, 75 | 2.90 | 1 370196 | Rim, fin., ex., 2275 | 3.45 |
| 4 399807 | Mold., fin., 2252, 72, brown | 4.00 | 1 374906 | Rim, fin., 2275 | 4.15 |

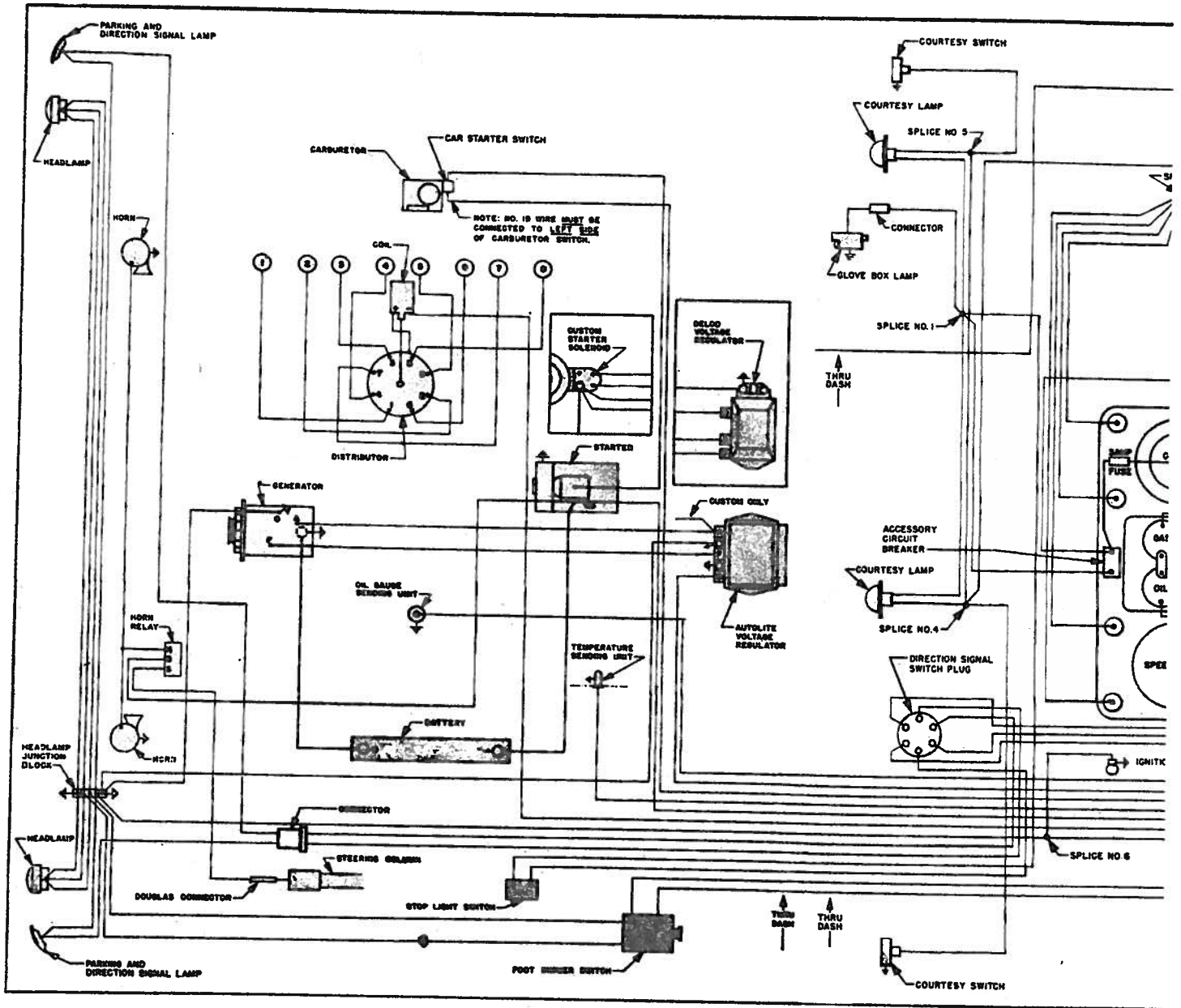


FRAME ASSEMBLY

| Item Part No. | Description | Price |
|---------------|-------------------------|-------|
| 1 389432 | Frame asy., 2202 | 82.80 |
| 1 389439 | Frame asy., 2206 | 86.25 |
| 2 371854 | Bracket, #1 | .50 |
| 2 371853 | Bracket, #2 | .70 |
| 3 341937 | Bracket, F. hose | .06 |
| 4 371852 | Bracket, #3 & 4 | .70 |
| 5 373116 | Bracket, L., #5 | .85 |
| 7 389586 | Bracket, R. hose | .41 |
| 7 389587 | Chan. assy., F., 2202 | 20.00 |
| 8 371037 | Chan. tank sup. | 1.00 |
| 9 373018 | Chan. tank sup. | 3.45 |
| 10 371919 | Bracket, muf., 2202 | .30 |
| 11 367024 | Bracket, muf., 2206 | .60 |
| 12 348573 | Chan., rear | N.P. |
| 13 367935 | Bracket, R. shock front | .16 |
| 14 367202 | Bracket, L.R. | 1.40 |
| 15 377515 | Splasher assy., L. | 2.45 |
| 16 373220 | Bracket, L., R. cable | N.P. |

PACKARD SUPER and CUSTOM EIGHT 1948 WIRING

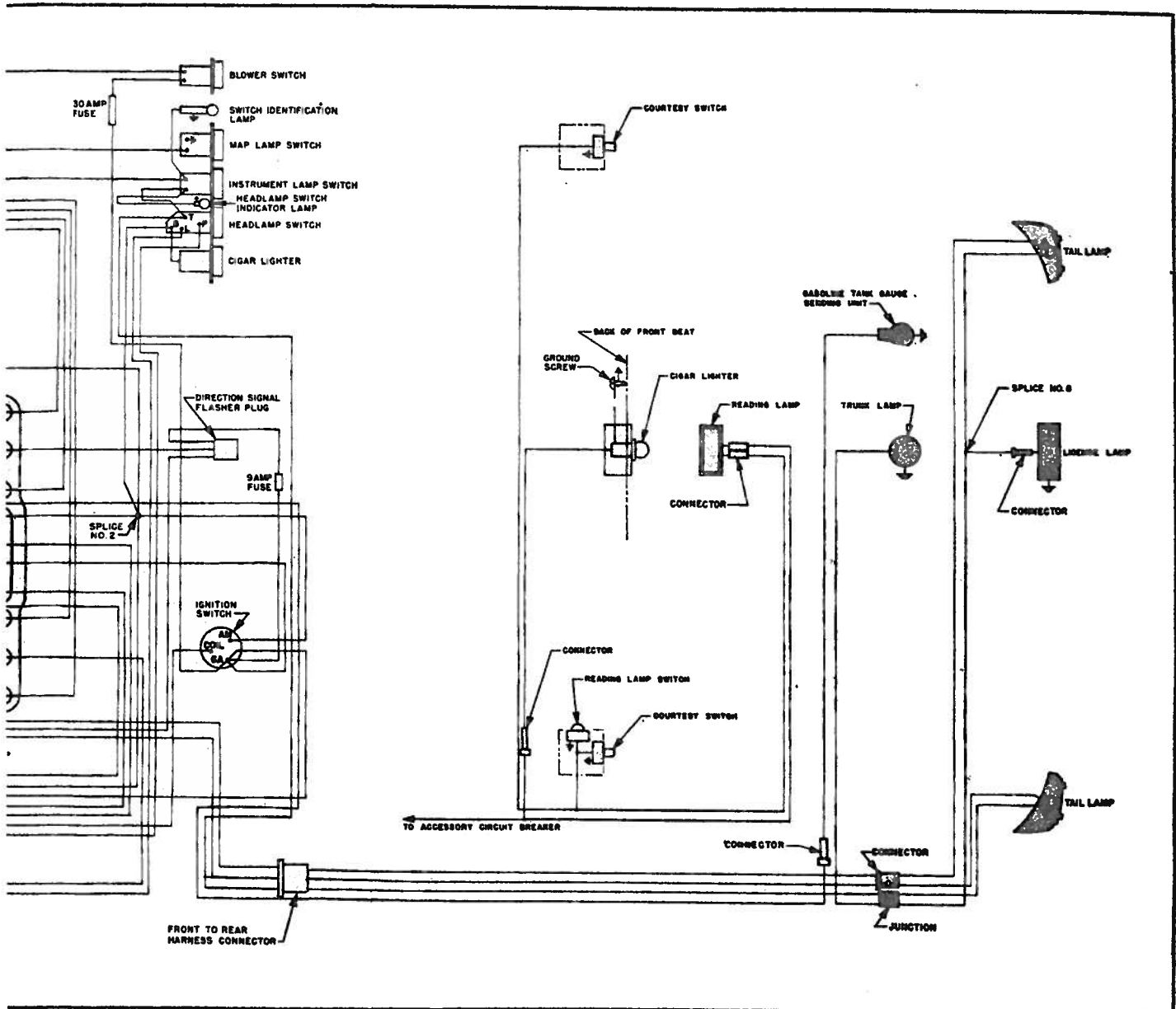
Series 2202, 2206. ALL BODY STYLES



Wiring Diagram

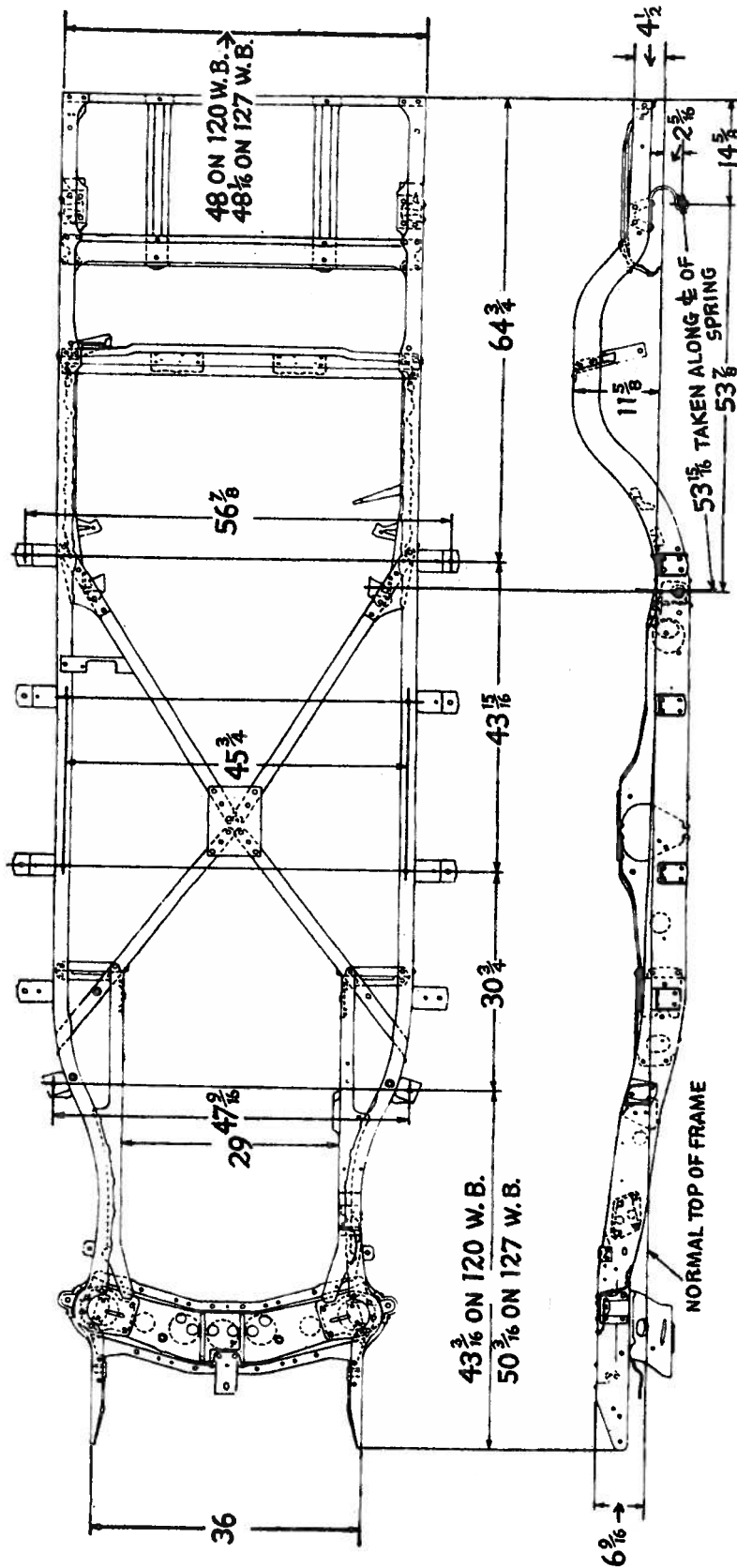
WIRING 1948 SUPER and CUSTOM EIGHT PACKARD

Series 2202, 2206. ALL BODY STYLES



PACKARD SUPER and CUSTOM EIGHT 1948 FRAME

Series 2202, 2206. ALL BODY STYLES



Frame Dimensions—Series 2202, 2206

FLAT RATE 1948 SUPER and CUSTOM EIGHT PACKARD

Series 2202, 2206. ALL BODY STYLES

| Chilton Job No. | Chilton Labor Price | Chilton Job No. | Chilton Labor Price | Chilton Job No. | Chilton Labor Price | Chilton Job No. | Chilton Labor Price | Chilton Job No. | Chilton Labor Price | Chilton Job No. | Chilton Labor Price | Chilton Job No. | Chilton Labor Price | Chilton Job No. | Chilton Labor Price | Chilton Job No. | Chilton Labor Price | | |
|-----------------|---------------------|--------------------|---------------------|--------------------|---------------------|--------------------|---------------------|--------------------|---------------------|--------------------|---------------------|-----------------|---------------------|--------------------|---------------------|--------------------|---------------------|----|--|
| A | | A-continued | | A continued | | B-continued | | C-continued | | C-continued | | E | | E-continued | | F-continued | | | |
| 1 | 3.50 | 8 | 15.00 | 20 | 7.20 | 8 | 3.00 | 2 | 15.00 | 16 | 1.50 | 1 | 110.00 | 13 | 27.00 | 2 | 27.00 | 1 | |
| 1a | 3.00 | 7 | 2.00 | 20x | 12.00 | 9 | 2.50 | 3 | 22.60 | 1 | | 2 | 28.60 | 14 | 140.00 | 3 | 28.60 | 2 | |
| 2 | 3.00 | 8 | 1.50 | | | 10 | 2.50 | 4 | 2.00 | 1a | | 3 | 28.60 | 15 | 125.00 | 4 | 28.60 | 3 | |
| 3 | | 9 | 4.00 | | | 11 | 2.50 | 5 | 3.00 | 2 | | 4 | 28.00 | 16 | 20.00 | 5 | 30.00 | 4 | |
| 4 | 18.50 | 10 | | | | 12 | 2.00 | 6 | 2.00 | 3 | | 5 | 28.00 | 17 | 12.00 | 6 | 30.00 | 5 | |
| 4a | | 11 | 3.00 | | | 13 | 2.50 | 7 | 2.50 | 4 | | 6 | 110.00 | 18 | | 7 | 65.00 | 6 | |
| 4b | 2.00 | 12 | | 1 | 7.00 | 14 | 2.00 | 8 | 3.00 | 1a | 3.50 | 7 | | 19 | | 8 | 70.00 | 7 | |
| 4c | 4.50 | 13 | | 1a | 6.00 | 15 | 1.50 | 9 | 3.00 | 2 | 3.00 | 8 | | | | 9 | | 7x | |
| 5 | 10.00 | 14 | | 2 | 15.50 | | | 10 | | 3 | 2.50 | 9 | | | | 10 | | 8 | |
| 5a | 3.00 | 15 | | 3 | 22.60 | | | 11 | 2.50 | 4 | 12.00 | 7x | | | | 11 | | 9 | |
| 5b | 6.00 | 16 | 2.00 | 4 | 2.00 | | | 12 | | 7 | | 8 | | | | 12 | | 10 | |
| 5c | 4.00 | 17 | 1.50 | 5 | 3.60 | | | 13 | | 8 | | 9 | | | | 13 | | 11 | |
| 5d | 7.50 | 18 | 10.00 | 6 | 1.80 | 1 | 7.00 | 14 | 2.00 | 19 | 110.00 | 10 | | | | 14 | | 12 | |
| | | | | 7 | 2.50 | 1a | 6.00 | | | 20 | 13.00 | 11 | | | | | | 13 | |
| | | | | | | | | | | | 4.00 | 12 | | | | | | 14 | |
| | | | | | | | | | | | | | | | | | | | |

STEERING GEOMETRY

CASTER: Series 2202, 1 1/2 to 1/2 degree negative, series 2206, 2 1/2 to 1 1/2 degree negative.

CAMBER: 1/4 degree negative to 1/4 degree positive.

TOE-IN: Zero to 1/16 inches.

KING PIN INCLINATION: 5 degrees 50 minutes.

ADJUSTMENT

CASTER is controlled by full turns of the upper eccentric pin.

CAMBER is controlled by eccentric upper pin and full range is obtained in one-half turn.

TOE-IN should be adjusted at both tie-rods to centralize steering.

