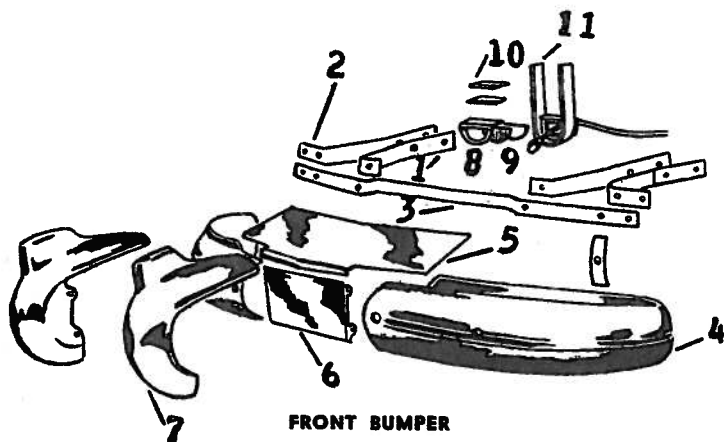


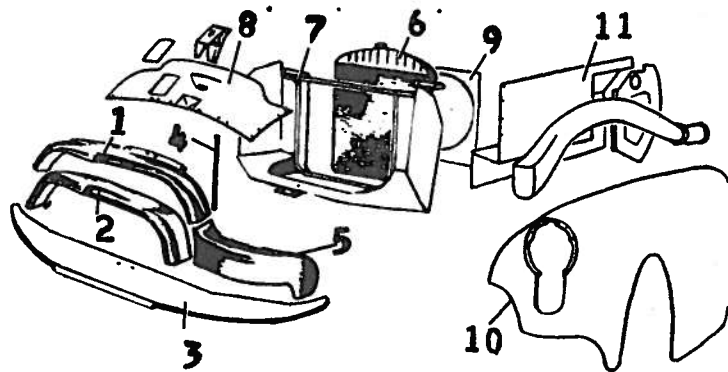
OLDSMOBILE 1949 BODY PARTS

Series 76, 88. ALL BODY STYLES



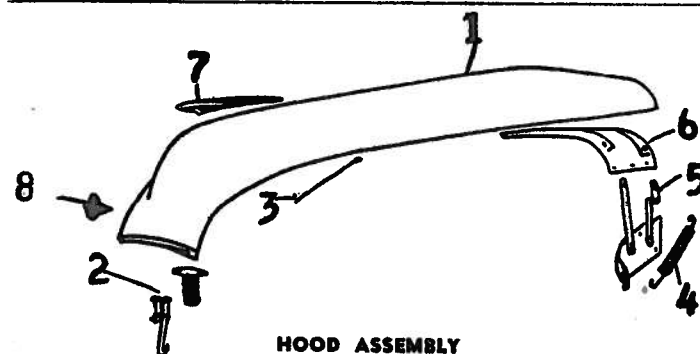
FRONT BUMPER

Item Part No.	Description	Price	Item Part No.	Description	Price
1 419930	Center bar	\$1.30	9 5938319	Lens	.70
2 419931	Attaching bar, outer	1.75	10 5938320	Gasket	.10
3 554738	Reinforcement bar	3.50	11 5938327	Housing, less bars	6.80
4 554735	Left front bar	14.00	5938348	Bar	1.20
5 419916	Center upper	12.00	5938354	Socket wiring, standard	1.15
6 419917	Front center, lower	6.25	5938630	Socket wiring, deluxe	1.45
7 419909	Guard, left	10.55			
8 928050	Parking lamp assy.	12.65			
9 5938318	Rim	1.25			



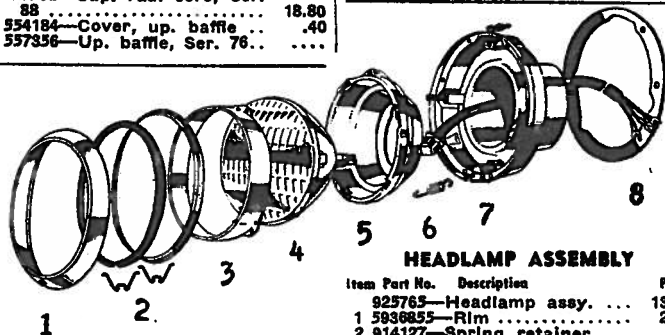
GRILLE ASSEMBLY

Item Part No.	Description	Price	Item Part No.	Description	Price
1 419880	Upper grille	14.85	8 556638	Up. baffle, Ser. 88
2 419875	Intermediate	14.00	419871	Sup. bar, Ser. 76	.85
3 554246	Base assy.	4.50	556619	Sup. bar, Ser. 88	1.60
4 419826	Bar grille tie	.20	9 553996	Shroud, rad. fan, Ser. 76	2.65
5 556031	Extension, L. Cooling and Air Scoops	8.75	9 553997	Shroud, rad. fan, Ser. 88	2.85
6 3121990	Core and tank (6)	73.00	10 557545	Fender, 1949	27.00
6 3122189	Core and tank rad. (8)	74.00	553875	Fender plate	4.50
7 557592	Sup. rad. core, ser. 76	18.80	11 553889	Fender deflector plate	1.45
7 557592	Sup. rad. core, Ser. 88	18.80			
8 554184	Cover, up. baffle	.40			
8 557356	Up. baffle, Ser. 76			



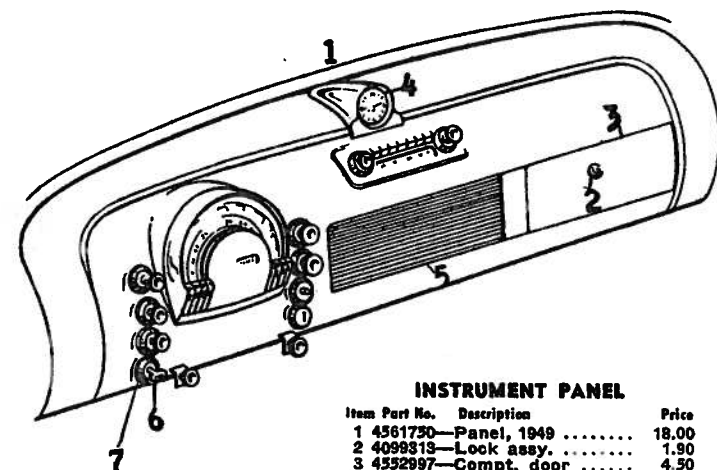
HOOD ASSEMBLY

Item Part No.	Description	Price	Item Part No.	Description	Price
1 556561	Hood panel	29.80	6 557577	Support	3.75
2 554141	Latch assy.	1.50	7 556271	Ornament metal	6.50
3 556270	Brace	.35	8 556648	Emblem, hood, F...	4.20
4 418940	Spring	.60			
5 557579	Brkt. & links less support	2.50			



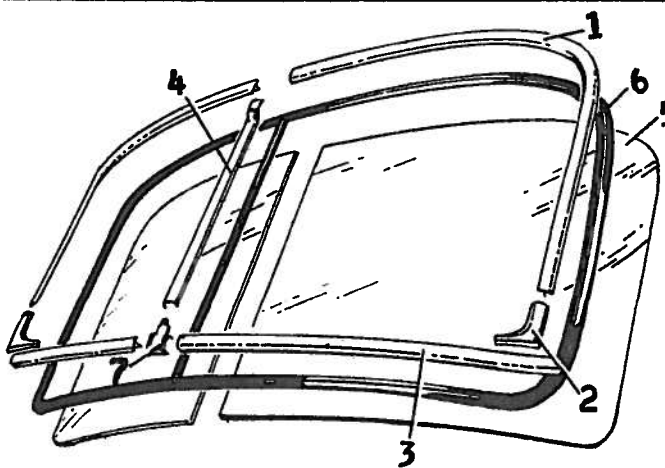
HEADLAMP ASSEMBLY

Item Part No.	Description	Price
925765	Headlamp assy.	13.20
1 5936855	Rim	2.15
2 914127	Spring retainer	.05
3 5930594	Seal	.20
4 924534	Ring	1.10
5 925000	Sealed beam	1.25
6 5937072	Housing	3.30
7 5936934	Wiring	1.50
8 554292	Gasket	.45



INSTRUMENT PANEL

Item Part No.	Description	Price
1 4561750	Panel, 1949	18.00
2 4099313	Lock assy.	1.90
3 4552997	Compt. door	4.50
4 554302	Elec. clock	18.00
5 553971	Grille, center	5.70
6 556017	Hood control knob	3.80
7 553890	Escutcheon plate	.75
553889	Knob, light switch	1.05
1116453	Ignition switch	1.75

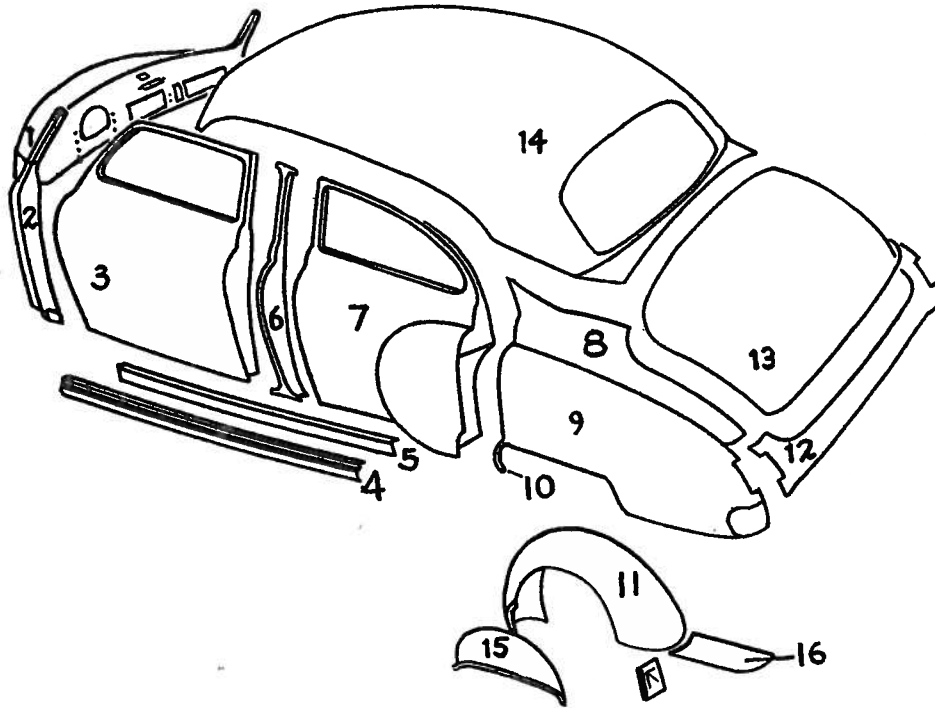


**WINDSHIELD
4 DOOR SEDANS**

Item Part No.	Description	Price	Item Part No.	Description	Price
1 4560829	Reveal midg., up. left	2.75	4 4573822	Division midg., 2nd type
2 4560943	Midg., lower corner	.90	5 4561511	Glass, left	20.00
3 4562379	Midg., lower left	1.95	6 4564076	Channel rubber	6.25
4 4562245	Division midg., out., 1st type	.85	7 4562219	Escutcheon midg., outer	.30

BODY PARTS 1949 OLDSMOBILE

Series 76, 88. ALL BODY STYLES



BODY SHEET METAL		
Item Part No.	Description	Price
NOTCH BACK 4 DOOR SEDANS		
1	4561403—Cowl assy.	115.00
2	4562715—Panel, low section.	6.30
FRONT DOOR PANEL		
3	4562782—Door panel	14.00
ROCKER PANEL		
4	4169449—Panel, outer	9.30
5	4563813—Panel, inner	4.73
CENTER PILLAR		
6	4561436—Pillar	15.73
REAR DOOR PANEL		
7	4562826—Door panel	17.00
PANEL QUARTER, SIDE, OUTER		
8	4564441—Panel assy.	47.85
9	4559355—Panel, outer	14.80
10	4562351—Panel lock pillar	7.20
COVER WHEELHOUSE ACCESS HOLE		
11	4568045—Cover panel	1.75
12	4559491—Panel wheelhouse sec.	15.40
REAR END PANEL		
13	4564539—Rear end panel	9.25
	4561388—Rear panel ext.	3.50
14	4570460—Rear deck lid	36.00
ROOF PANEL		
15	3692557—Panel with drip mldg.	49.50
16	556429—Rear fender panel	7.40
	555869—Rear fender deflector	1.49

BODY MOLDINGS

NOTCH BACK 4 DOOR SEDANS

Item Part No.	Description	Price
1a	553984—Letter on hood front "O"	.40
1a	553985—Hood letter "L"	.40
1a	553986—Hood letter "B"	.40
1a	553987—Hood letter "S"	.40
1a	553988—Hood letter "M"	.40
1a	553989—Hood letter "B"	.40
1a	553990—Hood letter "I"	.40
1a	553991—Hood letter "E"	.40
1	556648—Emblem	4.20
2	556271—Ornament metal	6.50

FRONT FENDER MOULDING

3	557095—Mldg., Ser. 76	2.65
3	556869—Mldg. (Futuramic), Ser. 88	5.00

WINDSHIELD MOULDING

4	4560943—Mldg., low. corner.	.90
4	4562379—Mldg., low. left	1.95
5	4562245—Division mldg.	.85
6	4560385—Door reveal mldg.	1.95

FRONT DOOR HANDLE

7	4563436—F. handle	5.40
7	4168321—F. handle	2.75

CTR. PILLAR REVEAL MLDG.

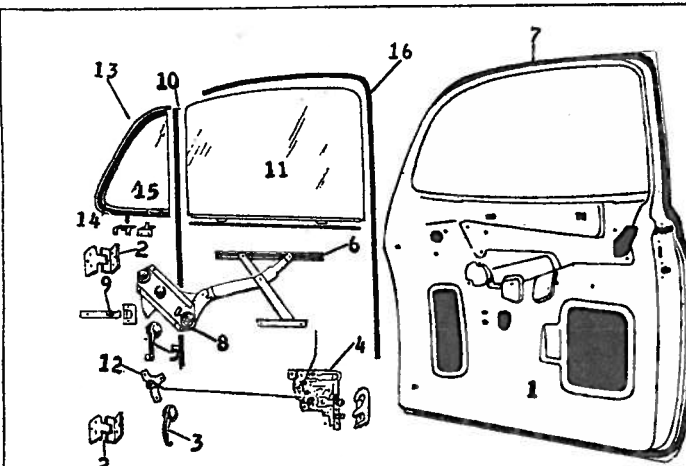
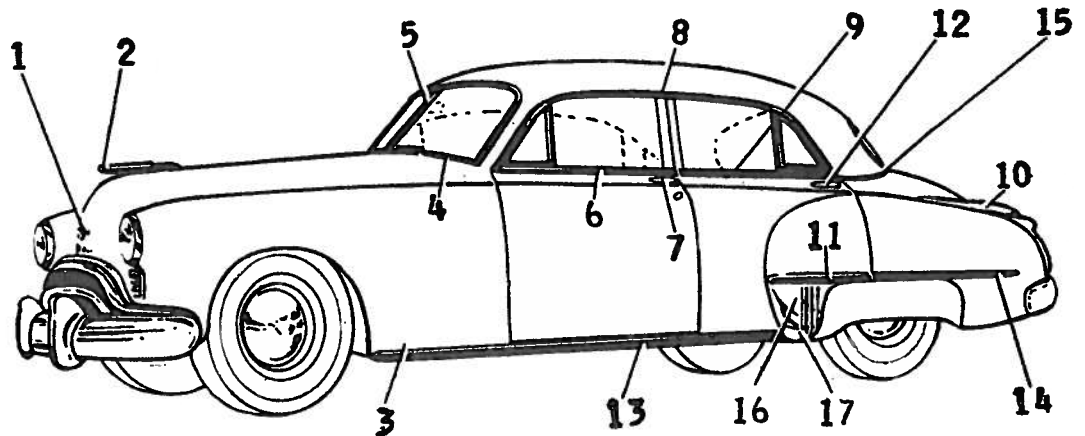
8	4564586—Mldg.	.30
---	---------------	-----

REAR DOOR WINDOW MLDG.

9	4561340—Left crease mldg.	1.75
---	---------------------------	------

REAR FENDER CROWN

10	556655—Mldg., town sed.	3.85
10	556657—Mldg., 4 door sed.	3.80
11	4565778—Mldg. on door	2.85
11	4565782—Mldg., lower	4.00
12	4563438—Rear door handle	4.00
13	556495—Rocker panel mldg.	4.95
14	4563782—Mldg. rear fen., low.	4.00
15	4561873—Rear quar. crease mldg.	1.75
16	4561777—Rear fender shield	6.85
17	4561858—Shield extension	4.00

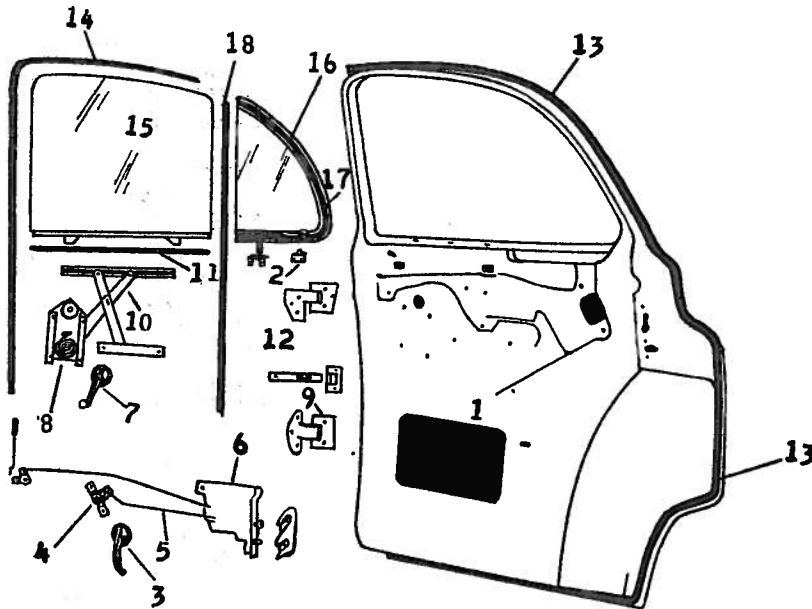


FRONT DOOR NOTCH BACK 4 DOOR SEDANS

Item Part No.	Description	Price
1	4568767—Door assy.	40.00
2	4559290—Hinge, up and low.	2.15
3	4564256—Inside handle	1.25
	4568011—Garnish mldg.	7.00
4	4560815—Lock assy.	4.25
	4168321—Outside handle	2.75
5	4564257—Regltr. handle	1.70
6	4560286—Cam track	.80
7	4565919—W/strip	1.45
8	4559559—Regulator	4.65
9	4559989—Link door check	.40
10	4568921—Division channel	3.50
11	4559295—Glass	9.00
	4075477—Glass run, up.	1.95
12	4562602—Remote control	.85
13	4559577—Vent assy.	10.95
14	4167985—Channel	4.85
15	4561275—Glass	3.50
16	4168195—W/strip	1.25

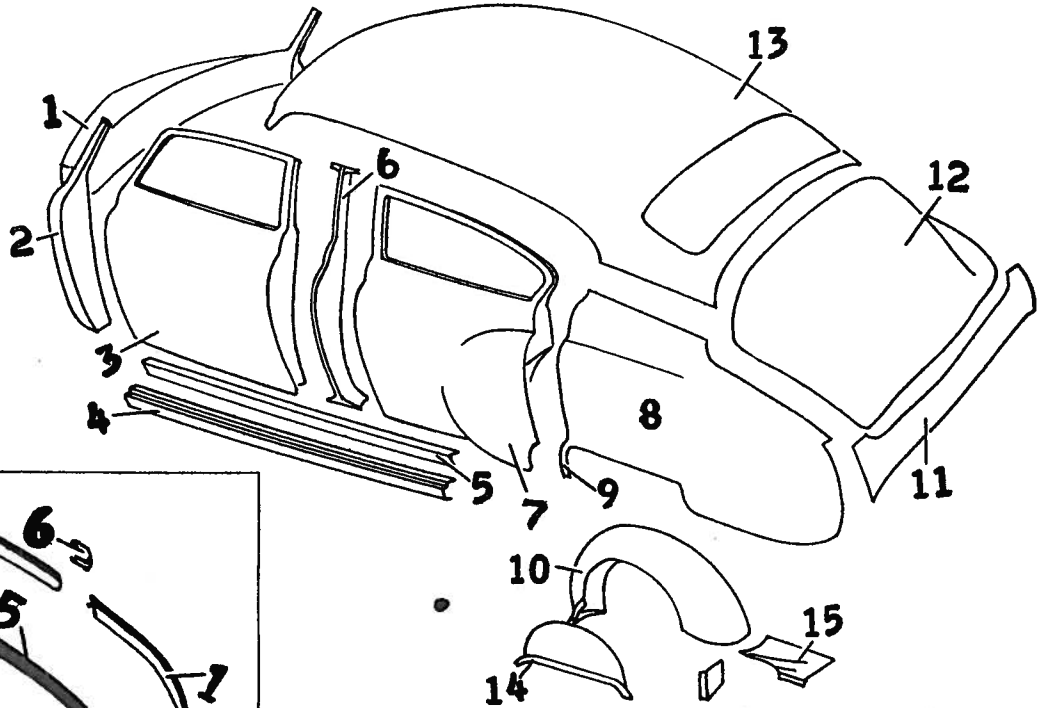
OLDSMOBILE 1949 BODY PARTS

Series 76, 88. ALL BODY STYLES



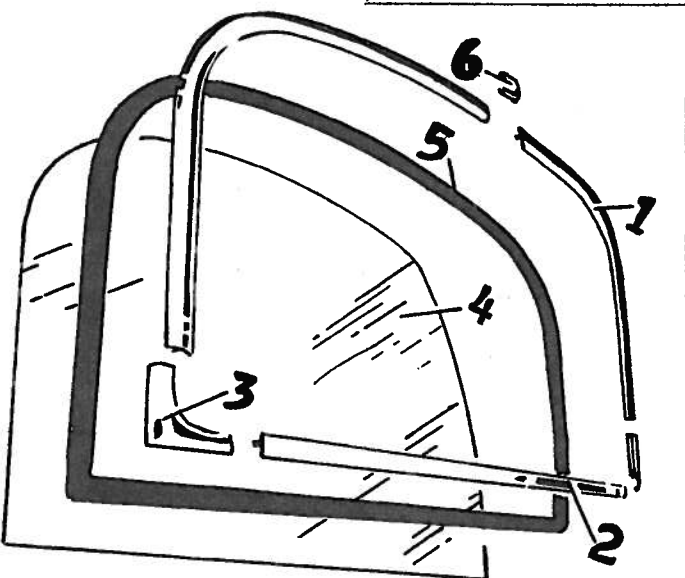
REAR DOOR NOTCH BACK 4 DOOR SEDANS

Item	Part No.	Description	Price
1	4560300	Door Assy.	43.60
2	4559412	Up. hinge Assy.	2.50
	4561777	Door shield	8.35
	4561858	Door shield	4.00
3	4564256	Handle, Inside	1.25
4	4562602	Remote control85
5	4562595	Control link12
6	4560817	Lock Assy.	4.50
7	4564257	Regltr. handle	1.70
	4168321	Outside handle	2.73
8	4561641	Regulator	3.95
9	4559315	Low. hinge Assy.	2.50
10	4099974	Cam track35
11	4561137	Channel85
12	4561013	Door check link ..	.65
13	4563913	W/strip, bottom left	.95
13	4563915	W/strip look pillar	.65
13	4563921	W/strip hinge pillar	1.75
14	4075477	Channel glass run.	9.25
15	4358296	Door glass	9.25
16	4359579	Ventilator Assy.	10.35
17	4168188	W/strip	1.25
18	4358263	Channel	3.15
	4570274	Air deflector	1.50



BACK WINDOW AND PARTS NOTCH BACK 4 DOOR SEDANS

Item	Part No.	Description	Price
1	4561488	Reveal mldg., left upper	2.50
2	4561502	Reveal mldg., low	1.95
3	4561722	Reveal mldg., low corner, L	1.00
4	4559993	Back glass	15.50
5	4564357	Rubber channel	3.75
6	4562218	Escutcheon clip	.20

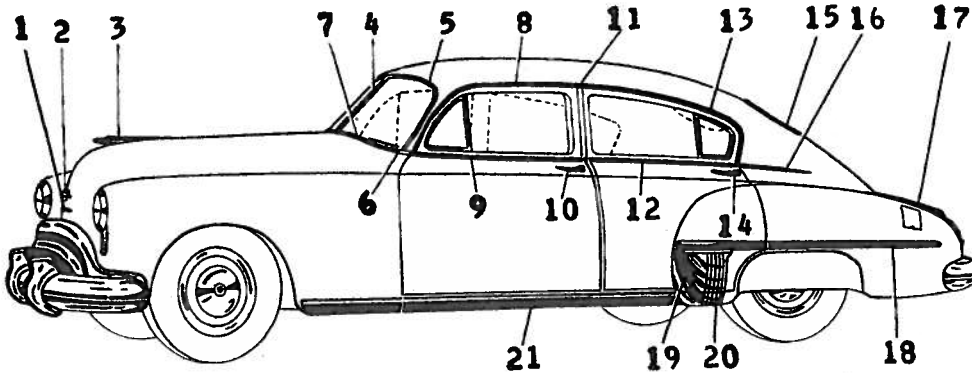


BODY SHEET METAL SLOPE BACK 4 DOOR SEDANS

Item	Part No.	Description	Price	Item	Part No.	Description	Price
1	4561409	Cowl and dash Assy.	110.00	9	4562345	Rear quar. lock pillar	6.70
	4561325	Cowl brace	5.25	10	4539491	Wheelhouse section panel	15.40
2	4562715	Cowl, lower section panel	6.30		4560045	Wheelhouse access hole cover	1.75
3	4562870	Front door panel, outer	14.00		4562180	Door gas tank filler	1.75
4	4169449	Rocker panel, out.	9.50	11	4564537	Rear end panel	10.25
5	4563813	Rocker panel, in.	4.75	12	4559142	Rear deck lid	35.00
6	4561431	Center body pillar	22.25	13	3692556	Roof panel, inc. drip mldg.	49.50
7	4562880	Rear door panel, outer	17.00	14	556428	Rear fender panel	7.40
8	4563430	Rear quar. panel Assy.	54.00	15	4562744	Plate deflector	1.90

BODY PARTS 1949 OLDSMOBILE

Series 76, 88. ALL BODY STYLES



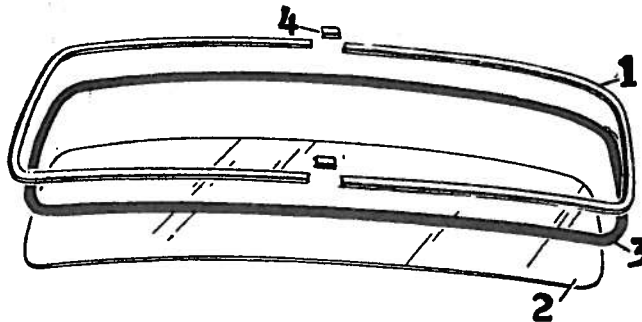
CAR BODY MOLDING SLOPE BACK 4 DOOR SEDANS

Item	Part No.	Description	Price
1	553984	Hood letter front "O"	.40
1	553985	Hood letter "L"	.40
1	553986	Hood letter, "D"	.40
1	553987	Hood letter, "S"	.40
1	553988	Hood letter "M"	.40
1	553989	Hood letter "B"	.40
1	553990	Hood letter "I"	.40
1	553991	Hood letter "E"	.40
2	556648	Hood emblem, front	4.20
3	556271	Ornament hood center	6.50
4	4562246	W/shield division midg., outer, 1st type	.85
4	4573833	W/shield division, outer, 2nd type
5	4560916	W/shield reveal midg., upper	2.50
6	4560943	Reveal midg., low. corner	.90
7	4562379	Reveal midg., low.	1.95
8	4560784	Front door reveal chrome	1.95
9	4561290	Front door belt crease midg.	1.85
10	4563436	Locking door handle	5.40
11	4564586	Center pillar reveal, upper	.30
12	4561338	Rear door belt crease midg.	1.75
13	4561186	Rear door window reveal chrome	2.10
14	4553889	Door handle	2.90
15	4562138	Back window reveal	3.25
16	4562912	Rear quar. belt crease midg.	1.85
17	556655	Rear fender crown midg.	3.85
18	4565782	Rear fender, lower midg.	4.00
19	4561777	Shield assy.	6.85
20	4561858	Shield extension	4.00
21	556495	Rocker panel midg.	4.95

BACK WINDOW

SLOPE BACK 4 DOOR SEDANS

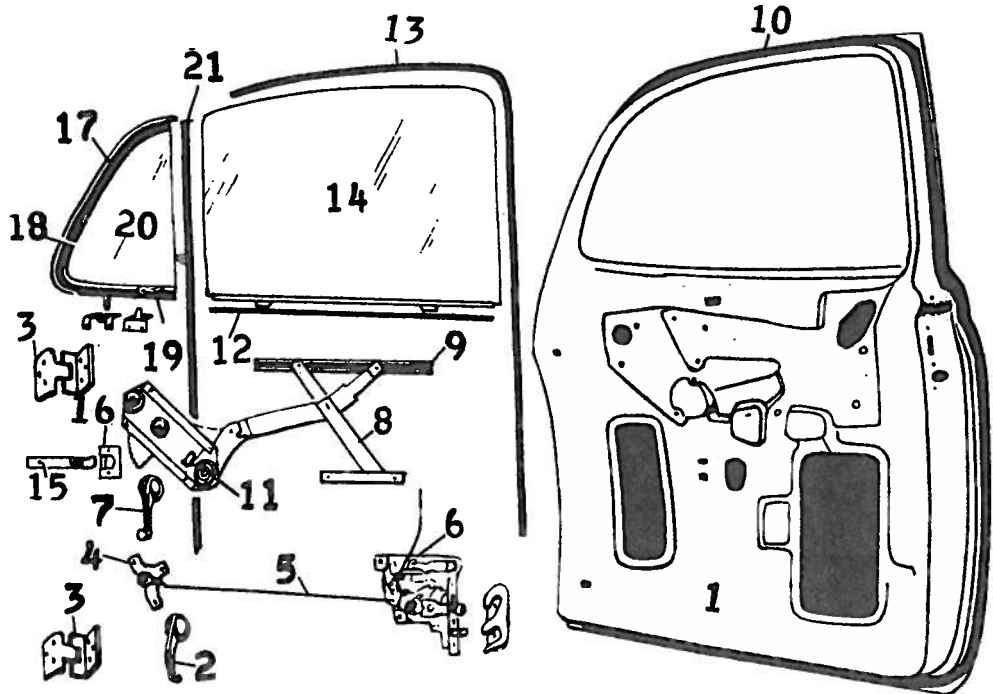
Item	Part No.	Description	Price
1	4562138	Reveal midg., left.	3.25
2	4559890	Back glass	15.50
3	4564358	Rubber channel	3.50
4	4562218	Escutcheon clip	.20



FRONT DOOR

SLOPE BACK 4 DOOR SEDANS

Item	Part No.	Description	Price
1	4568751	Door assy. less trim hardware	39.25
2	4564256	Lock handle, inside	1.25
3	4568009	Garnish midg.	7.00
3	4559280	Hinge, up. and low.
4	4565043	Bearing plate escutcheon	.05
4	4078002	Tension spring	.85
5	4562597	Remote control	.12
5	4560815	Lock assy.	4.25
6	4168321	Outside handle	2.75
7	4564257	Regltr. handle	1.70
8	4565043	Escutcheon plate	.40
8	4091252	Cam track
9	4099974	Cam track sash channel
9	4565919	Left hinge pillar w/strip	1.45
10	4167897	W/strip, top side and bottom, per ft.	.12
11	4559559	Window regltr.	4.65
12	4560286	Channel, lower sash	.80
13	4568925	Window division channel	3.15
14	4560558	Door glass, safety	8.25
15	4559889	Door check link	.40
16	4561013	Check link support	.65
17	4561294	Vent. assy., less regltr.	10.95
18	4168189	W/strip	1.25
19	4167987	Locking handle assy.	1.65
20	4560574	Vent. glass, safety	3.35
21	4167996	Channel chrome	4.65



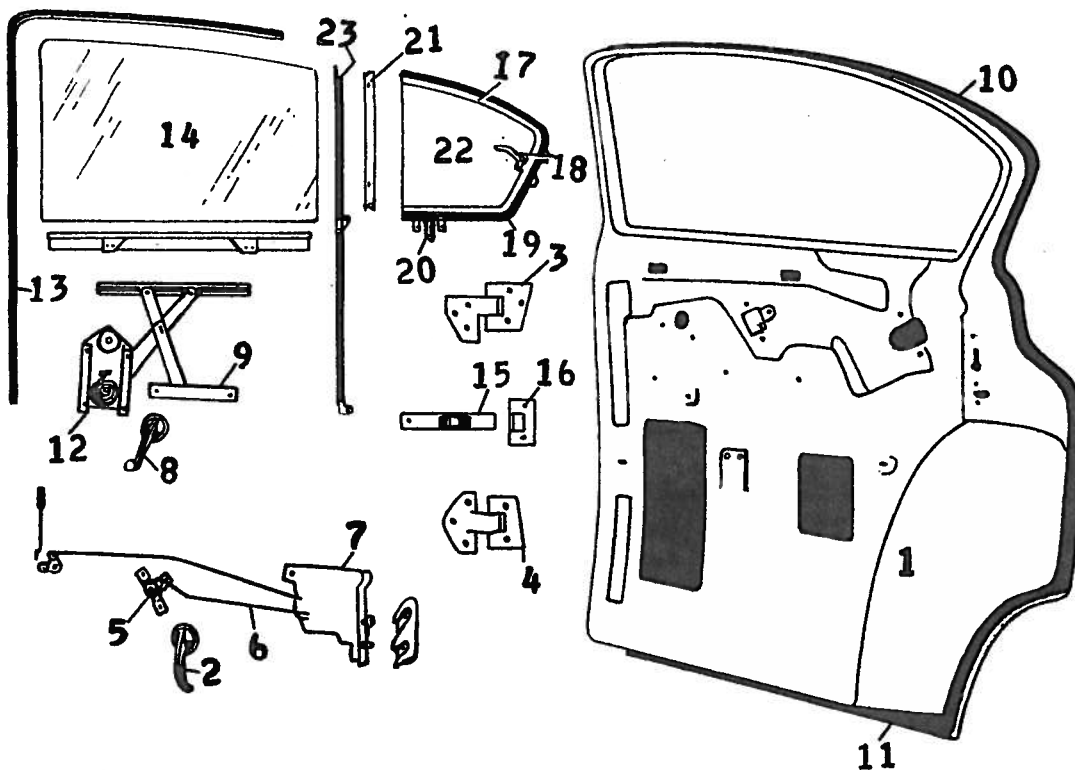
OLDSMOBILE 1949 BODY PARTS

Series 76, 88. ALL BODY STYLES

REAR DOOR

SLOPE BACK 4 DOOR SEDANS

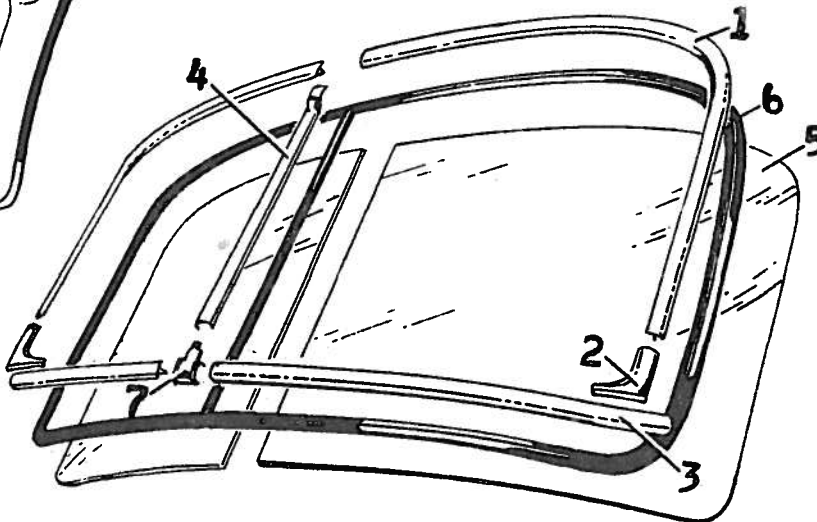
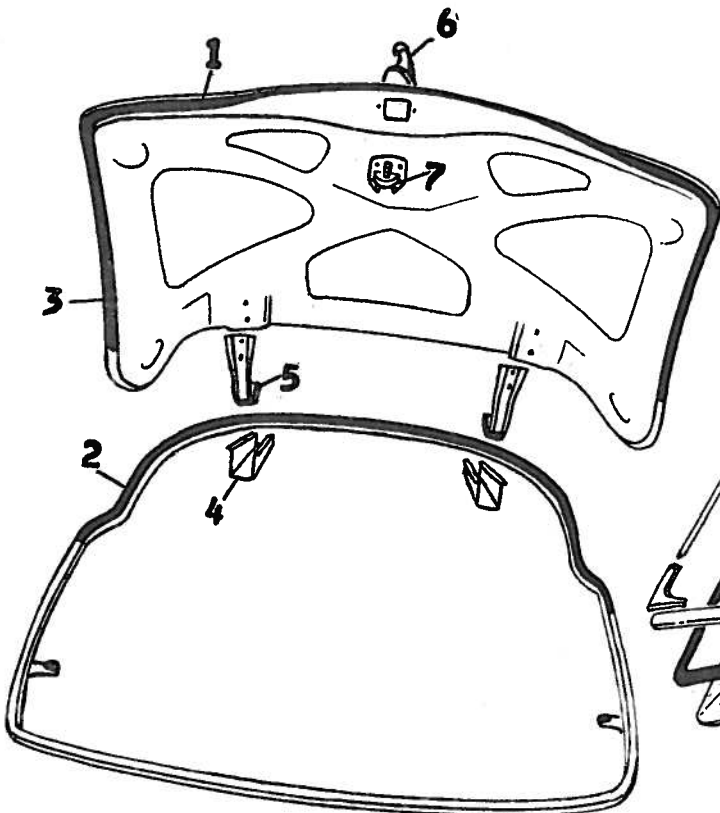
Item	Part No.	Description	Price
1	4560302	Door, less trim, glass, hardware	42.50
2	4564256	Lock handle, inside	1.25
3	4568019	Garnish midg.	6.95
4	4559412	Hinge, up. rear	2.50
5	4559315	Hinge, low. rear	2.50
6	4565043	Bearing plate	.05
7	4078002	Tension spring
8	4562602	Remote control	.85
9	4572893	Remote control link	.12
10	4560817	Lock assy.	4.50
11	4168326	Outside handle	2.75
12	4564257	Regltr. handle	1.70
13	4565043	Escutcheon plate
14	4091248	Cam track	.40
15	4162420	W/strip, top and side	1.75
16	3692045	W/strip, bottom, per ft.	.12
17	4561841	Window regltr.	3.95
18	4562666	Window sash channel	.95
19	4560901	Door glass, safety	9.75
20	4561140	Door check link	.40
21	4561013	Check link support	.65
22	4561825	Ventilator assy.	10.35
23	4564257	Regltr. handle	1.70
24	4168190	W/strip	1.25
25	4167989	Vent. handle, less push button	.05
26	4167994	Tee shaft
27	4167998	Channel chrome	4.25
28	4560940	Vent. glass	2.45
29	4561629	Channel vent. division	3.15
30	4570278	Air deflector	1.50
31	4101913	Left, up. grommet	.12
32	4101915	Left, low. grommet	.12



REAR DECK

SLOPE BACK 4 DOOR SEDANS

Item	Part No.	Description	Price	Item	Part No.	Description	Price
1	4559142	Compartment lid	35.00	6	4564808	Handle (with cyl.), 1st type	7.60
2	4565928	W/strip, upper	2.95	6	4574377	Handle (screw at bottom), 2nd type
3	4573809	W/strip, sides	3.00	7	4560686	Lock assy.	2.75
4	4167935	Hinge box	1.75	557341	Hydramatic emblem	2.20	
5	4167936	Hinge strap	2.85	557340	S.T. emblem for standard trans. (Ser. 76)	1.90	
6	4150126	Handle (less cyl.), 1st type	4.60				
6	4150128	Handle (screw at bottom), 2nd type				



WINDSHIELD

2 DOOR SEDANS

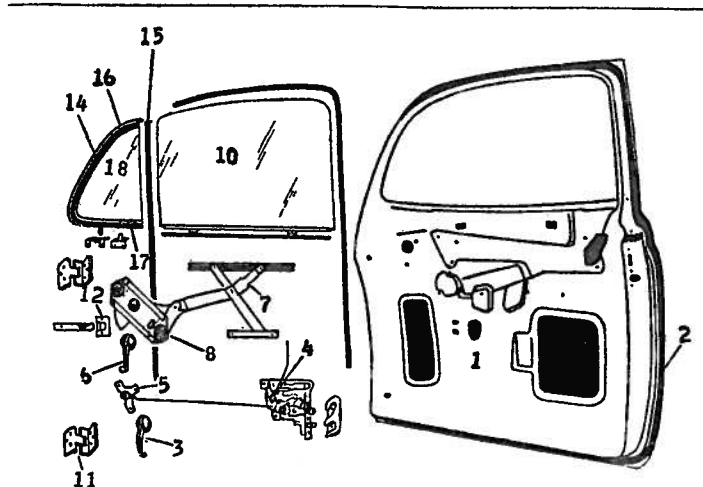
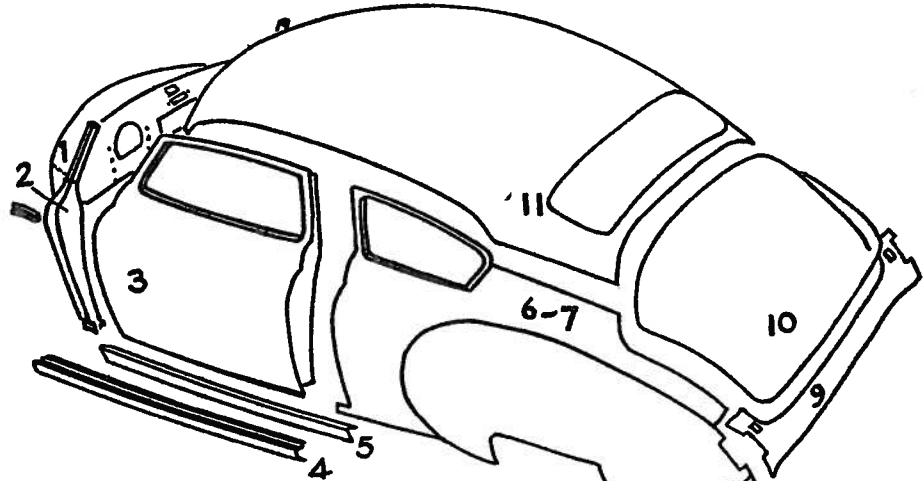
Item	Part No.	Description	Price	Item	Part No.	Description	Price
1	4560916	Reveal midg., up. left	2.50	4	4573833	Div. midg., 2nd type
2	4560943	Midg., lower corner	.90	5	4561513	Glass, left	19.00
3	4562379	Midg., lower left	1.95	6	4564078	Channel rubber	6.25
4	4562246	Div. midg., outer, 1st type	.85	7	4562219	Escutcheon midg., outer	.30

BODY PARTS 1949 OLDSMOBILE

Series 76, 88. ALL BODY STYLES

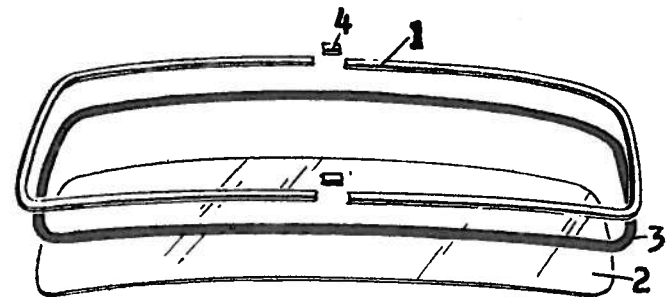
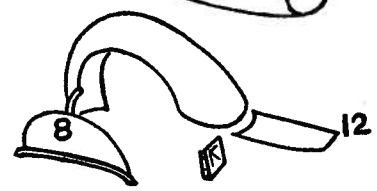
BODY SHEET METAL 2 DOOR SEDANS

Item Part No.	Description	Price
1 4561409	Cowl Assy.	110.00
2 4562715	Panel, low. section.	6.80
FRONT DOOR PANEL		
3 4562848	Door panel	15.55
ROCKER PANEL		
4 4169449	Panel, outer	9.50
5 4563813	Panel, inner	4.75
REAR QUARTER PANEL		
6 4564026	Quarter panel	73.50
7 4559420	Panel, outer side.	42.00
8 556429	Fender panel	7.40
9 4564537	Panel, rear end	10.25
REAR COMPARTMENT LID		
10 4559142	Lid	35.00
ROOF PANEL		
11 3692556	Panel with drip mldg.	49.50
12 4561919	Rear fender shield.
4561388	Rear end pan extension	3.50



DOOR ASSEMBLY 2 DOOR SEDANS

Item Part No.	Description	Price	Item Part No.	Description	Price
1 4568771	Door Assy.	44.75	10 4561192	Door glass	10.75
2 4562848	Panel, outer	15.55	11 4559290	Hinge, up. and low.	2.15
3 4564256	Handle, inside	1.25	12 4561013	Sup. door check65
4 4568013	Window garnish	8.50	14 4559989	Link door check40
5 4568015	Lock Assy.	4.25	15 4561294	Vent. Assy.	10.95
6 4562602	Remote control handle85	16 4167996	Channel chrome	4.65
7 4099974	Cam track35	17 4168195	W/strip	1.25
8 4561303	Window regltr.	5.25	18 4167987	Vent. handle	1.65
4075477	Up. glass run	1.95	4560574	Vent. glass	3.35

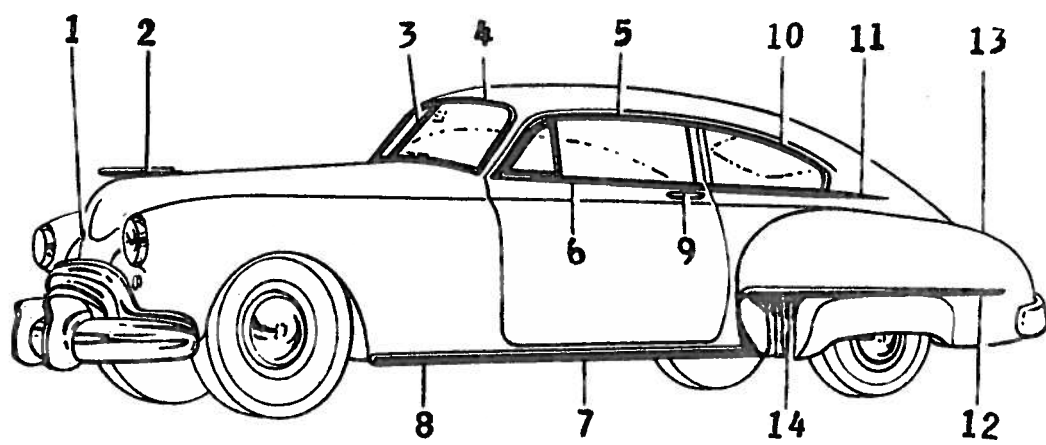


BACK WINDOW 2 DOOR SEDANS

Item Part No.	Description	Price	Item Part No.	Description	Price
1 4562138	Reveal mldg., left.	3.25	3 4564358	Rubber channel ..	3.50
2 4559980	Back glass	15.50	4 4562218	Escutcheon clip20

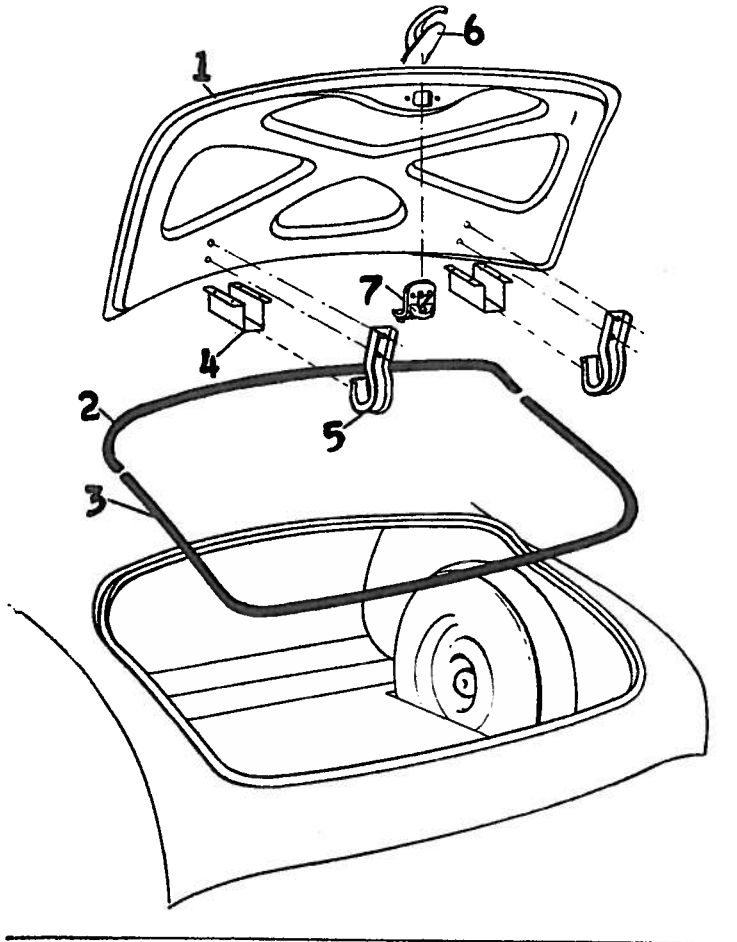
BODY MOLDINGS 2 DOOR SEDANS

Item Part No.	Description	Price
1 556648	Emblem	4.20
2 556271	Ornament, hood, ctr.	6.50
3 4562246	W/shield division, 1st type85
3 4573833	W/shield mldg., 2nd type85
4 4560916	W/shield reveal, up.	2.50
4 4560943	W/shield reveal, low.90
5 4560782	Front window reveal mldg.	2.10
6 4361292	Door crease mldg.	2.00
7 556495	Rocker panel mldg.	4.95
8 557095	Front fender mldg., Ser. 76	2.65
8 556869	Fender mldg., Futuramic 88	5.00
9 4563436	Door handle	5.40
9 4168321	Door handle	2.75
10 4561911	Quar. window mldg.	1.75
11 4563261	Rear quar. crease mldg.	2.50
12 4572678	Rear fender mldg., lower	11.20
13 556655	Rear fender crown mldg.	3.85
14 4561919	Rear fender shield.	8.75



OLDSMOBILE 1949 BODY PARTS

Series 76, 88. ALL BODY STYLES



2 DOOR SEDANS

Item Part No.	Description	Price
1 4359142	Compartment lid..	35.00
2 4565928	W/strip, up.	2.95
3 4573805	W/strip, sides	3.00
4 4167935	Hinge box	1.75
5 4167936	Hinge strap	2.85
6 4150126	Handle (less cyl.), 1st type	4.60
6 4150128	Handle (screw at bottom), 2nd type
6 4564808	Handle (with cyl.), 1st type	7.60
6 4574377	Handle (screw at bottom), 2nd type
7 4560686	Lock Assy.	2.75
557341	Hydramatic emblem	2.20
557340	S.T. emblem for standard trans., Ser. 76..	1.90

COUPES

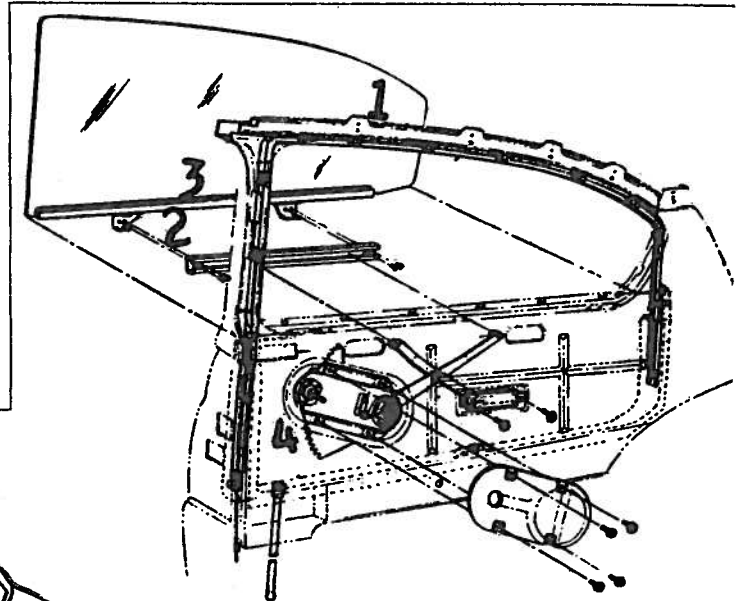
Item Part No.	Description	Price
1 4570539	Compartment lid..	41.00
2 4565927	W/strip, up.	2.85
3 4571874	W/strip, sides	2.80
4 4167941	Hinge box	1.55
5 4167942	Hinge strap	2.85
6 4150126	Handle (less cyl.), 1st type	4.60
6 4150128	Handle (screw at bottom), 2nd type

REAR DECK

Item Part No.	Description	Price
6 4564808	Handle (with cyl.), 1st type	7.60
6 4574377	Handle (screw at bottom), 2nd type
7 4560686	Lock Assy.	2.75
557341	Hydramatic emblem	2.20
557340	S.T. emblem for standard trans., Ser. 76 ..	1.90

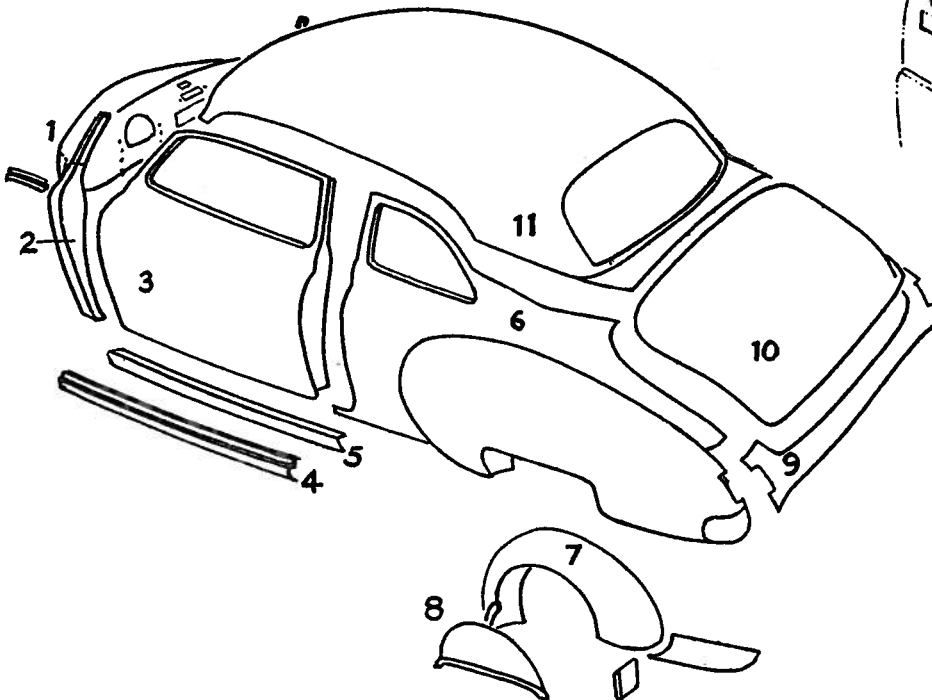
CONVERTIBLE COUPES

Item Part No.	Description	Price
1 4570539	Compartment lid..	41.00
2 4565927	W/strip, upper ...	2.85
3 4571874	W/strip, sides	2.80
4 4167941	Hinge box	2.85
5 4167942	Hinge strap	1.75
4150122	Link and spring	2.85
6 4150126	Handle (less cyl.), 1st type	4.60
6 4150128	Handle (screw at bottom), 2nd type
6 4564808	Handle (with cyl.), 1st type	7.60
6 4574377	Handle (screw at bottom), 2nd type
7 4560686	Lock Assy.	2.75
557341	Hydramatic emblem	2.20
557340	S.T. emblem for standard trans., Ser. 76 ..	1.90



REAR QUARTER WINDOW
2 DOOR SEDANS

Item Part No.	Description	Price
1 4568021	Midg.	6.60
2 4561167	Channel, lower60
3 4562221	Glass	11.25
4 4561574	Regltr.	3.80
4565043	Escutcheon
4564257	Handle



BODY SHEET METAL
CLUB COUPE

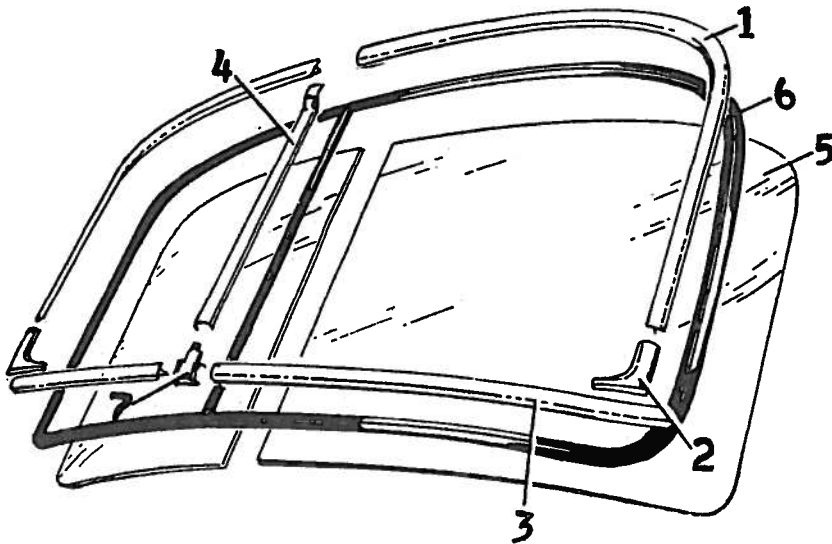
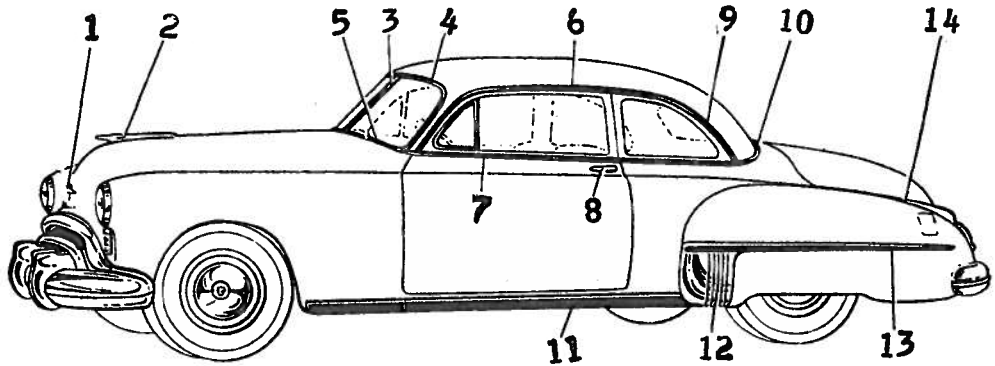
Item Part No.	Description	Price
1 4561403	Cowl assy.	115.00
2 4562715	Lower panel	6.30
3 4562836	Door panel, left	15.95
4 4169449	Rocker panel, out.	9.50
5 4563813	Rocker, inner	4.75
6 4565883	Rear quar. panel ..	71.00
7 4559493	Panel wheelhouse section	15.40
8 4560045	Cover panel	1.75
9 4564538	Rear end panel ...	9.25
10 4570539	Rear deck lid	41.00
11 4565080	Roof panel	46.50
4561388	Rear end extension panel	3.30

BODY PARTS 1949 OLDSMOBILE

Series 76, 88. ALL BODY STYLES

BODY MOLDINGS COUPES

Item Part No.	Description	Price
1	558848—Hood emblem	4.20
2	536271—Ornament metal	6.50
3	4573822—W/shield div., out.	.85
4	4560829—W/shield reveal, up.	2.75
5	4560943—W/shield reveal, low.	.90
6	4560571—Door reveal midg.	2.10
7	4561282—Door crease midg.	2.00
8	4583436—Door handle	5.40
8	4168321—Locking door handle	2.75
8	4533889—Door handle plain.	2.90
9	557231—Fender ornament, Ser. 88	.58
9	4581732—Quar. window reveal	1.55
10	4581956—Rear quar. crease midg.	3.00
11	558495—Rocker panel midg.	4.95
12	4561919—Rear fender shield.	8.75
13	4572878—Fender midg., low.	11.20
14	356657—Fender crown midg.	3.80

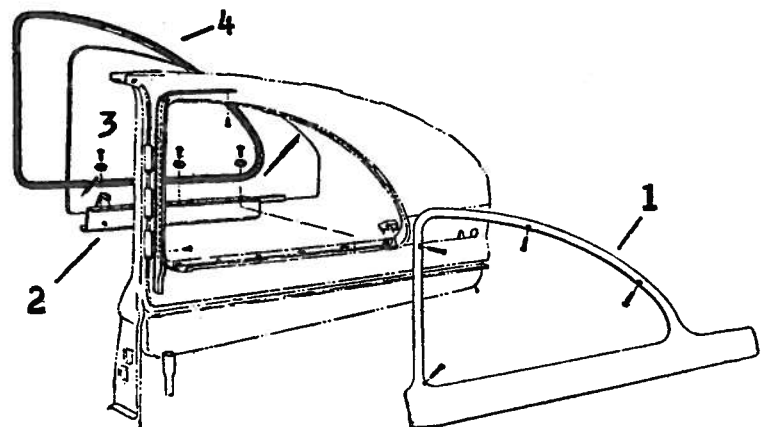
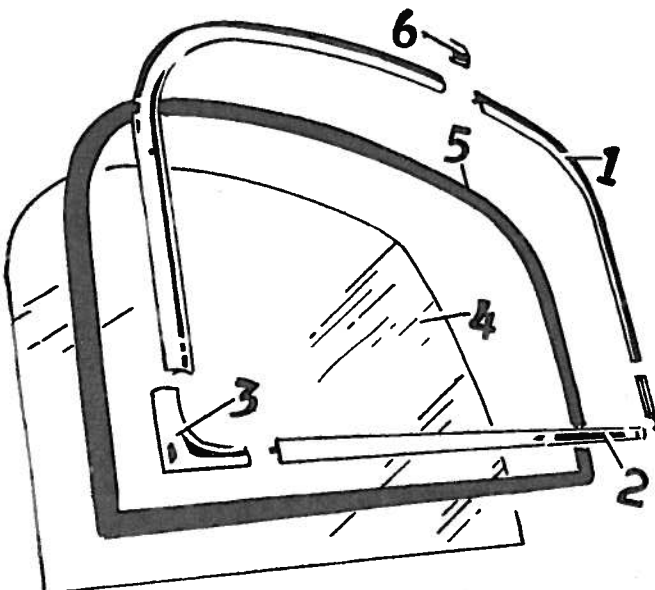


WINDSHIELD COUPES

Item Part No.	Description	Price
1	4560829—Reveal midg., up. left	2.75
2	4560943—Midg., lower corner	.90
3	4562379—Midg., lower left	1.95
4	4562245—Div. midg., out., 1st type	.85
4	4573822—Div. midg., out., 2nd type
5	4561511—Glass, left	20.00
6	4564078—Channel rubber	6.25
7	4562219—Escutcheon midg., out.	.30

CONVERTIBLES

1	4560824—Reveal midg., up. left	2.75
2	4560943—Reveal midg., low. corner	.80
3	4562379—Midg., lower left	1.95
4	4562247—Div. midg., out., 1st type	.85
4	4573835—Div. midg., out., 2nd type
5	4561792—Glass, left	19.00
6	4564079—Channel rubber	6.25
7	4562219—Escutcheon midg., out.	.30



BACK WINDOW CLUB COUPES

Item Part No.	Description	Price
1	4561467—Reveal midg., left up.	2.50
2	4561494—Reveal midg., left low.	1.95
3	4561618—Reveal midg., low. corner	1.00
4	4561845—Back glass	13.75
5	4564360—Rubber channel	3.50
6	4562218—Escutcheon clip	.20

REAR QUARTER WINDOW COUPES

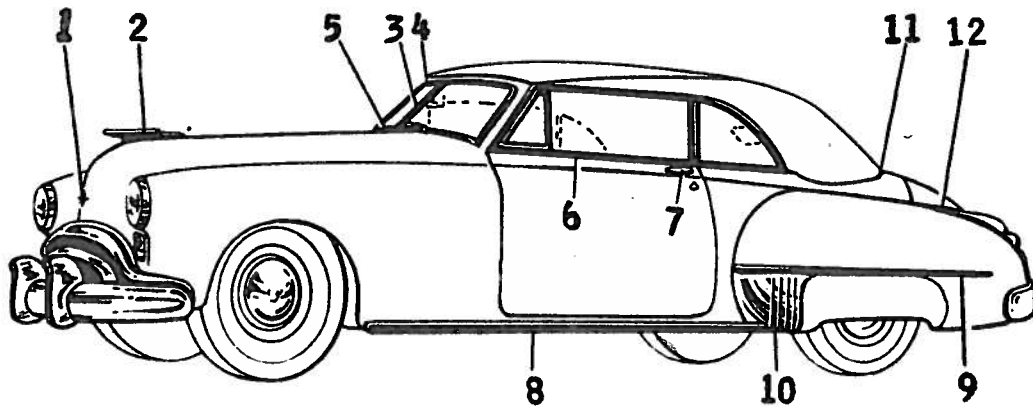
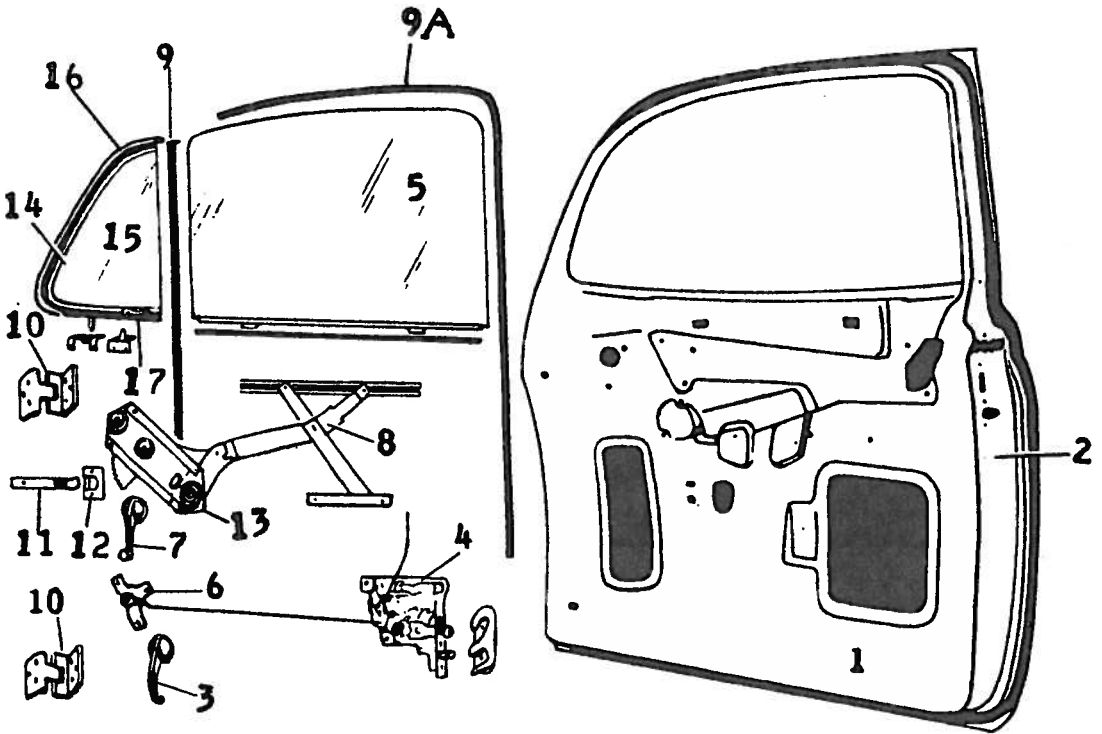
Item Part No.	Description	Price
1	4568023—Midg.	7.25
2	4114728—Channel and regitr.	2.60
3	4561939—Glass	7.55
4	4562385—W/strip	.20

OLDSMOBILE 1949 BODY PARTS

Series 76, 88. ALL BODY STYLES

DOOR ASSEMBLY COUPES

Item	Part No.	Description	Price
1	4560306	Door Assy.	44.25
2	4562836	Panel, out.	15.55
3	4564256	Handle, inside	1.25
	4568015	Window garnish	8.50
4	4560815	Lock Assy.	4.25
5	4559951	Door glass	11.50
6	4562602	Remote control	.85
7	4564257	Regltr. handle	1.70
8	4099974	Cam track	.35
9	4568921	Div. channel	3.50
9a	4075477	Glass run, up.	1.95
10	4559290	Hinge, up. and low.	2.15
11	4559989	Link door check	.40
12	4561013	Sup. door check	.65
13	4561303	Regltr. Assy.	5.25
14	4558577	Vent. Assy.	10.95
15	4561275	Glass	3.50
	4167985	Channel chrome	4.65
16	4168195	W/strip	1.25
17	4167989	Handle	.75



BODY MOLDINGS CONVERTIBLE COUPES

Item	Part No.	Description	Price
1	556648	Emblem, hood, F...	4.20
2	556271	Ornament, hood ...	6.50

WINDSHIELD MOLDING

Item	Part No.	Description	Price
3	4562247	Div. midg., 1st type	.85
3	4573835	Div. midg., 2nd type	.85
4	4560824	W/shield, left up...	2.75
5	4560943	W/shield, left low.	.90
5	4562379	W/shield, left low.	1.95
6	4563587	Door crease midg.	3.00
6	4563182	Left crease midg.	2.00

DOOR HANDLE

7	4567851	Handle complete	5.40
7	4563436	Handle complete	5.40
8	556495	Rocker panel midg.	4.95

REAR FENDER MOLDING

9	4572678	Midg., lower	11.20
10	4561919	Rear fender shield	8.75
11	4563587	Rear quar. belt midg.	3.00
12	556657	Fender crown midg.	3.80

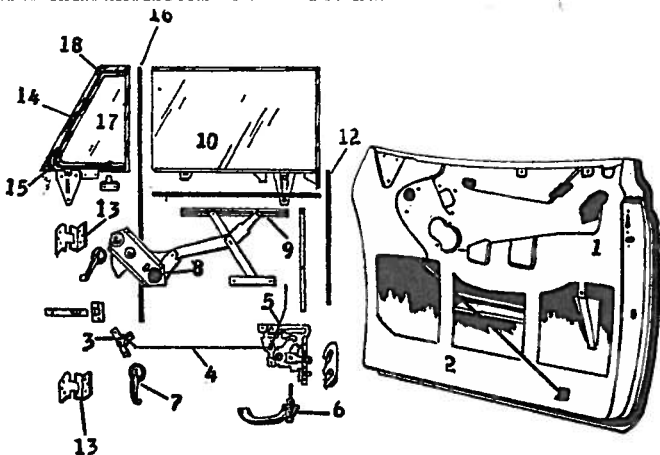
DOOR ASSEMBLY CONVERTIBLE COUPES

Item	Part No.	Description	Price
1	4568533	Door Assy.	44.75
2	4072912	Stiffener bolt	.50
3	4562602	Remote control	.85
4	4562499	Link remote control	.15
5	4560815	Lock Assy.	4.25
6	4563436	Handle complete w/cyl.	5.40
6	4567851	Handle complete w/cyl.	5.40
6	4168321	Handle, less cyl.	2.75
7	4564256	Handle, inside	1.25
8	4561303	Window regltr.	5.25
9	4099974	Cam track	.35
10	4560906	Door glass	10.75

Item	Part No.	Description	Price
	4560812	Chrome sash	13.00
	4562361	Channel w/lower sash	4.35
12	4562386	Guide door window	.60
13	4559290	Hinge, up. and low.	2.15

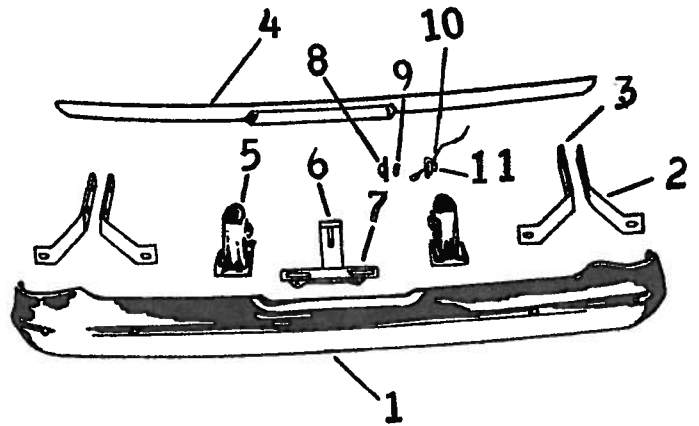
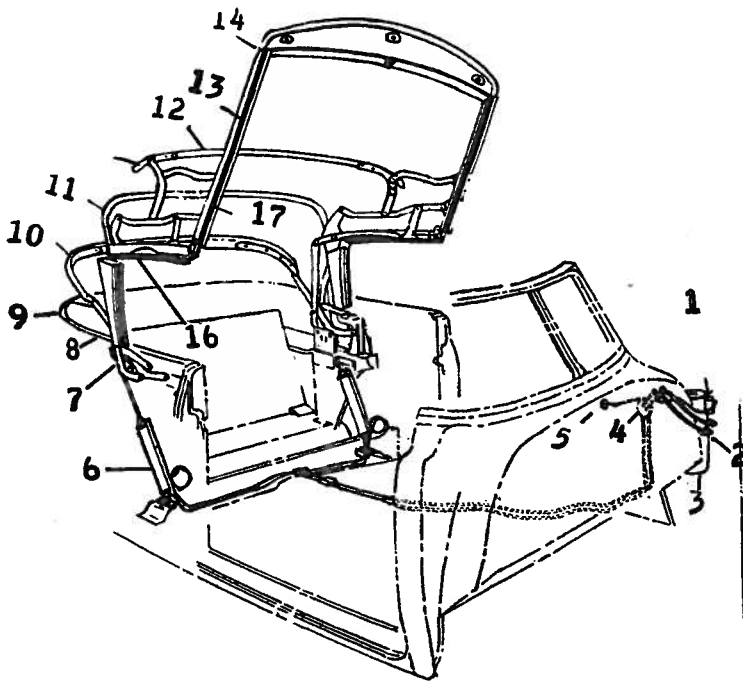
VENTILATOR ASSEMBLY

14	4561145	Vent., complete Assy.	34.50
15	4168054	Vent. frame	13.25
16	4168058	Div. channel	3.50
17	4561184	Glass	3.50
18	4169183	W/strip	3.25



BODY PARTS 1949 OLDSMOBILE

Series 76, 88. ALL BODY STYLES

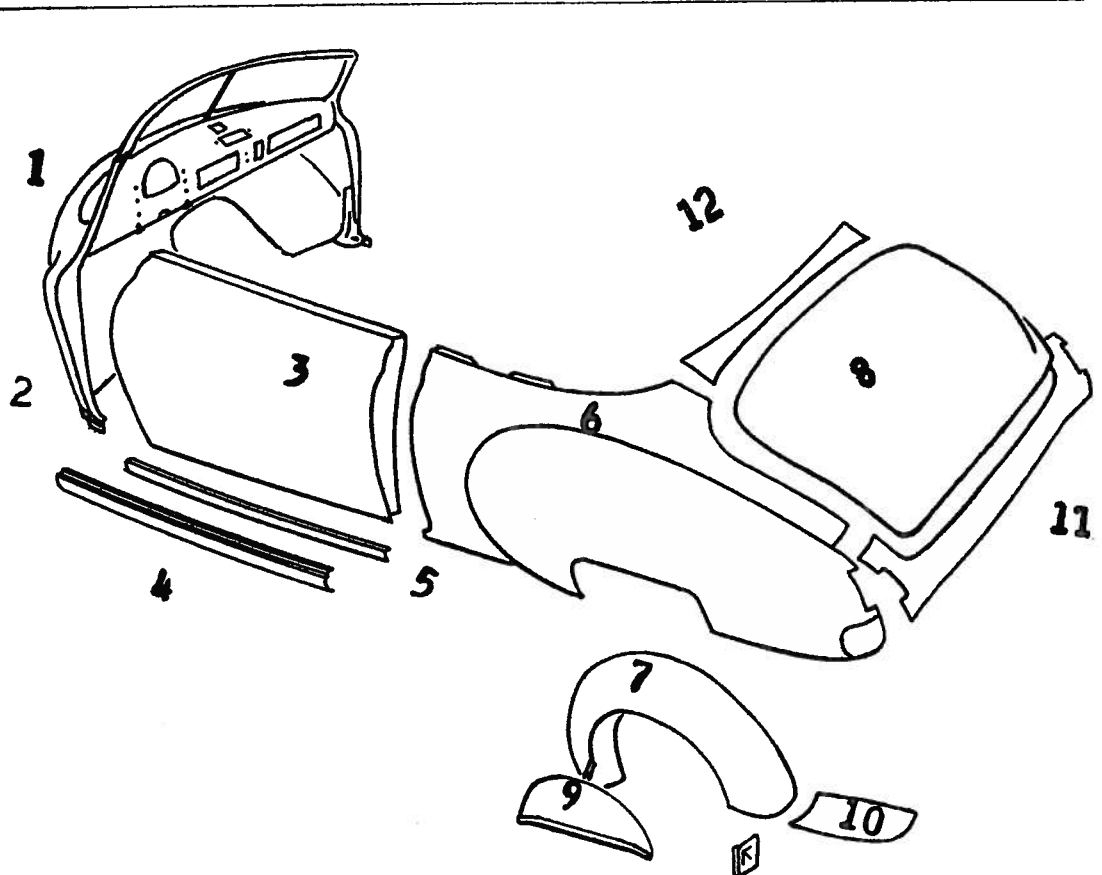


REAR BUMPER

Item	Part No.	Description	Price
1	419826	Face bar	28.00
2	55799	Bar, outer L.	1.15
3	55798	Inner	1.25
4	55384	Deflector, Sta. wag.	2.55
4	55900	Deflector	2.00
5	418845	Guard	5.00
6	5837238	License brkt.	.30
7	827471	License assy.	6.35
8	5937449	Cover	1.50
9	5937450	Glass	.30
10	5937439	Body	2.00
11	5937443	Socket wiring	1.65

CONVERTIBLE TOP

Item	Part No.	Description	Price
1	4149784	Solenoid	3.45
2	4163785	Motor only	27.50
3	4161898	Reservoir	2.30
4	4149731	Valve assy.	6.90
5	4568489	Knob assy.	1.60
6	4567324	Cyl. assy.	11.50
7	4567174	Yoke assy.	1.00
8	4563305	Slat iron, rear bow	2.75
9	4565554	Rear bow	6.95
10	4565608	Bow, No. 1	18.75
11	4565281	Slat iron	2.90
12	4563105	Aux. bow, front	4.60
13	4567961	Side roof rail, front	7.90
14	4563864	Rail assy., front	29.75
15	4563302	Aux. link, front	2.60
16	4567248	Control link assy.	9.20
17	4567959	Rear roof rail	18.50



BODY SHEET METAL CONVERTIBLE COUPES

Item	Part No.	Description	Price
1	4561419	Cowl assy.	115.00
2	4562040	Panel, low. section.	6.30
3	4568333	Door assy., less trim	44.75
4	4169449	Rocker panel, out.	9.50
5	4563813	Rocker, in.	4.75

REAR QUARTER PANEL

6	4566987	Panel assy.	95.00
---	---------	-------------	-------

WHEELHOUSE PANEL SECTION

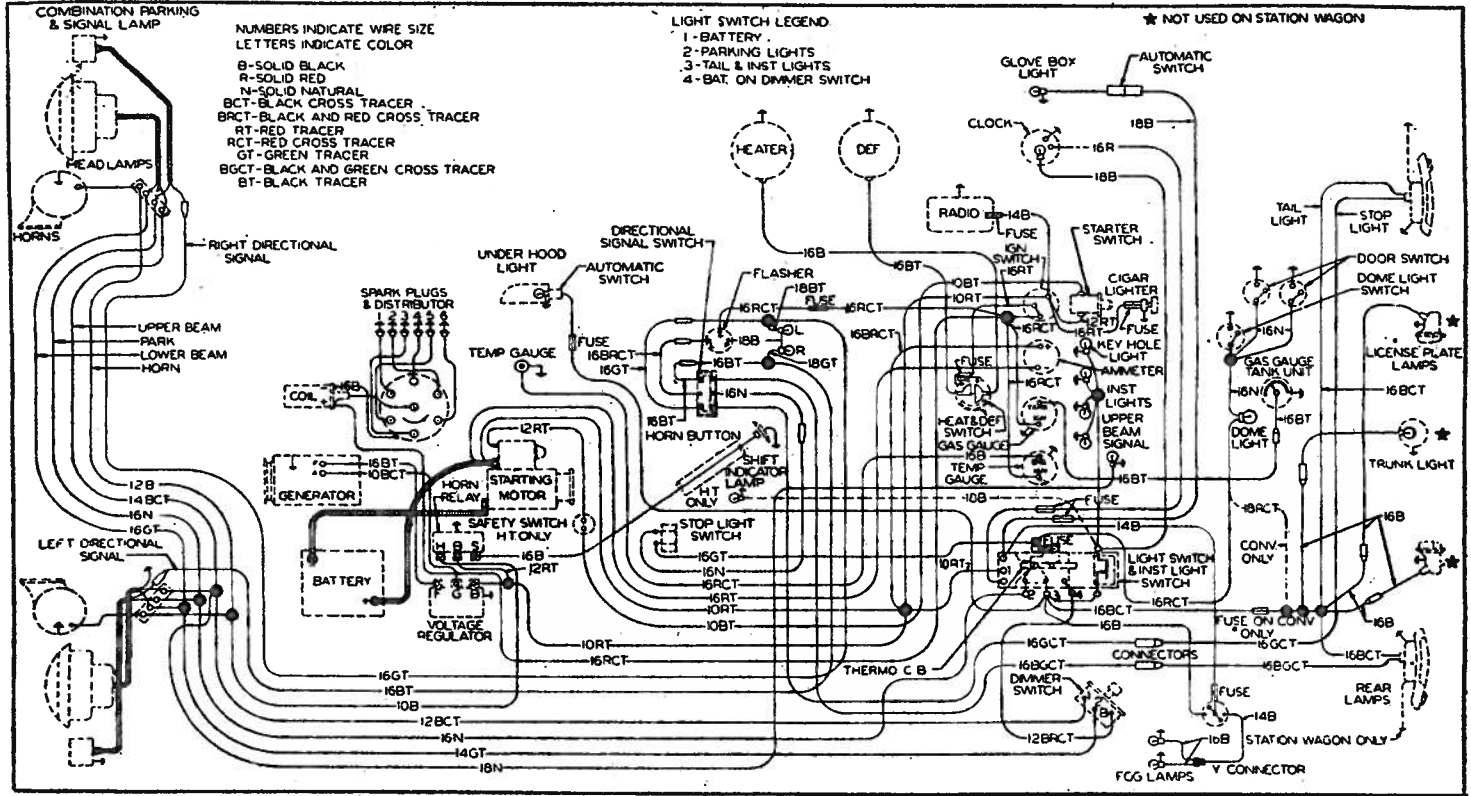
7	4559493	Panel	15.40
	4560045	Cover access hole.	1.75
	556449	Fender brkt.	.12

REAR DECK LID

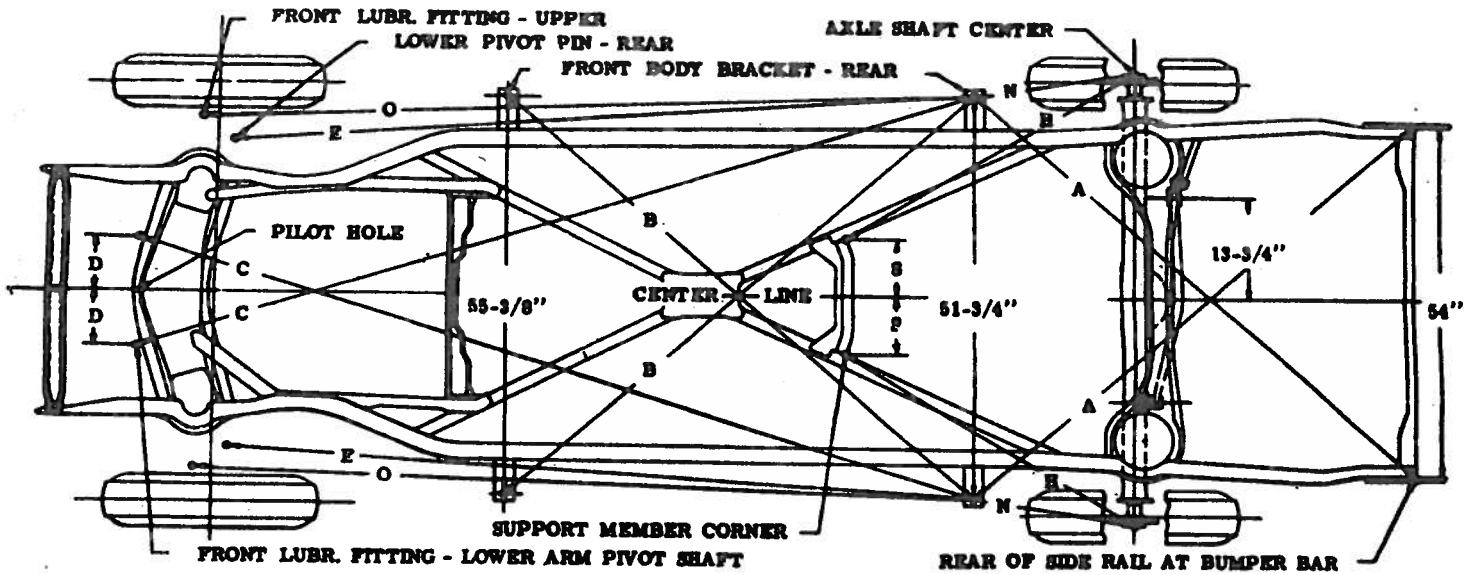
8	4570539	Deck lid	41.00
9	556429	Panel, rear fender.	7.40
10	4562744	Rear fender de- flector	2.15
11	4564538	Rear end panel	9.25
	4561368	Rear panel exten- sion	3.50
12	4559851	Panel above deck lid	4.85

OLDSMOBILE 1949 WIRING

Series 76, 88. ALL BODY STYLES



Wiring Diagram for Series—76 (See model 98 on page 487 for Series—88)



Frame Dimensions—Series—76, 88

FLAT RATE 1949 OLDSMOBILE**Series 76, 88. ALL BODY STYLES**

Chilton Job No.	Chilton Labor Price	Chilton Job No.	Chilton Labor Price	Chilton Job No.	Chilton Labor Price	Chilton Job No.	Chilton Labor Price	Chilton Job No.	Chilton Labor Price	Chilton Job No.	Chilton Labor Price	Chilton Job No.	Chilton Labor Price	Chilton Job No.	Chilton Labor Price
A		A—continued		A—continued		B—continued		C—continued		D		E—continued		E—continued	
1.....	4.00	6.....	19.00	20.....	8.50	9.....	4.50	3.....	28.00	1.....	4.00	2.....	28.00	12.....	12.00
1a.....	3.50	7.....	3.00	20x.....	10.00	10.....	4.50	4.....	2.00	1a.....	3.50	3.....	28.00	13.....	28.00
2.....	2.50	8.....	2.50			11.....	3.50	5.....	4.00	2.....	2.50	4.....	28.00	14.....	100.00
3.....	6.00	9.....	5.00	B		12.....	4.00	6.....	4.50	3.....	6.50	5.....	32.00	15.....	85.00
4.....	17.00	10.....		1.....	4.00	13.....	2.00	7.....	2.00	4.....	12.00	6.....	30.00	16.....	62.00
4a.....		11.....	3.00	1a.....	7.00	14.....	3.00	8.....	3.75	7.....	28.00	7.....	48.00	17.....	48.00
4b.....	1.00	12.....	5.50	2.....	20.00	15.....	1.25	9.....		7x.....	28.00	8.....	19.00	18.....	19.00
4c.....	5.00	13.....	3.00	3.....	28.00			10.....	4.50	8.....	12.00	9.....	12.00	19.....	12.00
5.....	11.00	14.....	3.00	4.....	2.80			11.....	3.50	9.....	60.00	10.....	60.00		
5a.....	4.00	15.....	1.00	5.....	3.75	C		12.....	4.00	9x.....	70.00	11.....	70.00		
5b.....	3.75	16.....		6.....	4.50	1.....	4.00	13.....		9y.....	75.00	12.....	75.00	F	
5c.....	4.00	17.....	1.00	7.....	2.00	1a.....	7.00	14.....	3.00	10.....		1.....	4.00	1.....	4.00
5d.....	5.75	18.....	10.00	8.....	3.75	2.....	20.00	15.....	1.25	11.....	55.00	1a.....	6.60	14.....	2.75
														G	
														1.....	100.00
														2.....	28.00
														3.....	28.00
														4.....	28.00
														5.....	30.00
														6.....	28.00
														7.....	28.00
														8.....	3.75
														9.....	4.00
														10.....	4.25
														11.....	3.25
														12.....	13.75
														13.....	12.00
														14.....	12.00
														15.....	12.00

STEERING GEOMETRY

CASTER: Zero to $\frac{3}{4}$ degree negative.

CAMBER: $\frac{1}{4}$ degree negative to $\frac{3}{4}$ degree positive.

TOE-IN: $\frac{1}{16}$ to $\frac{1}{8}$ inches.

KING PIN INCLINATION: Four degree fifty-one minutes ten seconds.

ADJUSTMENTS

CASTER: is controlled by full turns of the upper eccentric pin.

CAMBER is controlled by eccentric upper pin and full range is obtained in one-half turn.

TOE-IN: Should be adjusted at both tie rod sleeves.

