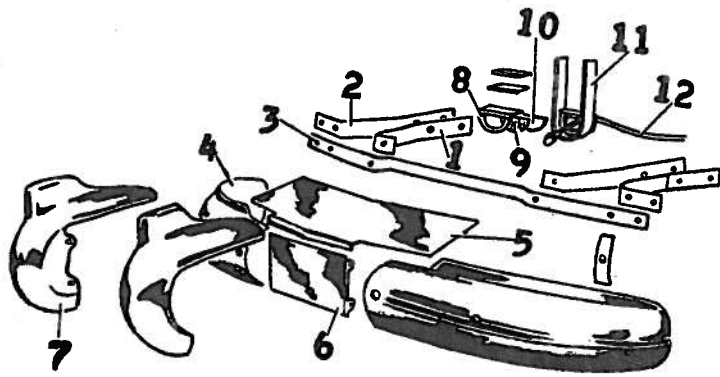


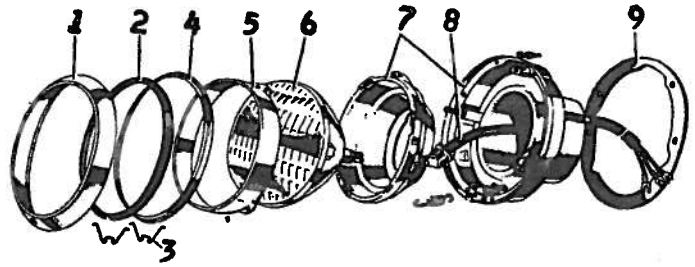
OLDSMOBILE 1948 and 1949 BODY PARTS

Series 98. ALL BODY STYLES



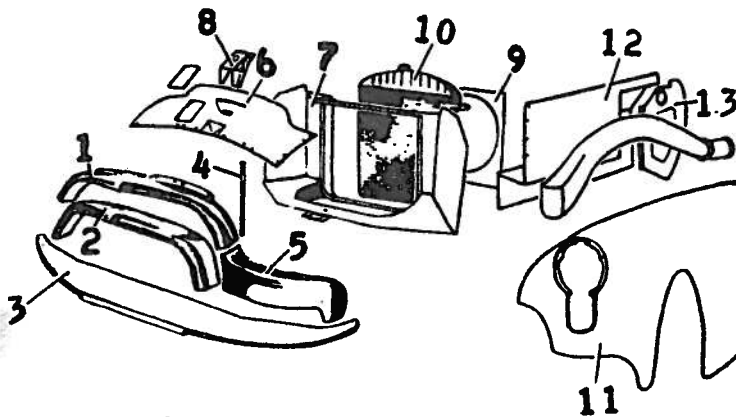
FRONT BUMPER

Item Part No.	Description	Price	Item Part No.	Description	Price
1 419930	Center bar	1.30	8 5938318	Rim, 1949	1.25
2 419931	Attaching bar, out.	1.75	9 5938928	Lens, 1948	.50
3 554738	Reinforcement bar	3.30	9 5938319	Lens, 1949	.70
4 554735	Left front bar	14.00	10 5933026	Gasket, 1948	.05
5 419916	Center, up.	12.00	10 5938320	Gasket, 1949	.10
6 419917	Front center, low.	6.25	11 5933208	Body, 1948	1.25
7 419909	Guard, left	10.55	12 5937438	Socket wiring, 1948	1.25
8 928050	Parking lamp assy.	12.65	12 5936971	Socket wiring, 1948	1.50
8 5936972	Rim, 1948	1.00			



HEADLAMP

Item Part No.	Description	Price	Item Part No.	Description	Price
925785	Headlamp assy.	13.20	5 924534	Ring	1.10
1 5936855	Rim	2.15	6 925000	Sealed beam	1.25
2 5930594	Retainer	.20	7 5937072	Body assy.	3.30
3 924588	Spring retainer	.05	8 5936934	Wiring	1.50
4 5930594	Seal	.20	9 554292	Gasket	.45

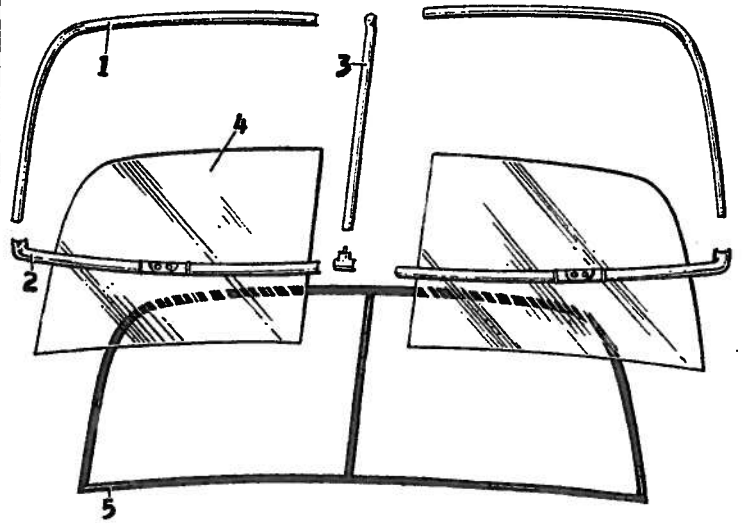


GRILLE

Item Part No.	Description	Price
1 419880	Grille, up.	14.85
2 419879	Intermediate	14.00
3 554246	Base assy.	4.50
4 419926	Tie grille bar	.20
5 419879	Extension, L.	8.00

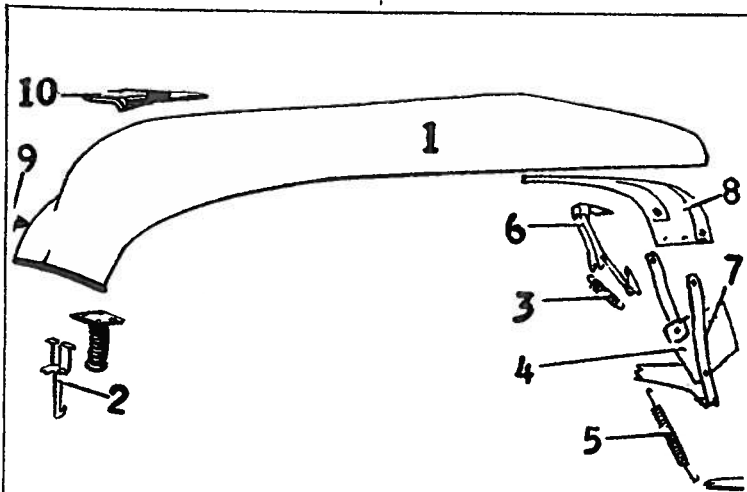
AIR SCOOPS

Item Part No.	Description	Price
6 556839	Baffle, up.	18.80
7 554480	Sup., rad. core, 1948	18.80
7 557593	Sup., rad. core, 1949	18.80
8 554184	Cover, up. baffle	.40
554180	Sup., up. baffle	.50
419871	Sup. bar	.85
9 555110	Shroud, rad. fan, 1948	2.35
9 556087	Shroud, rad. fan, 1949	3.25
10 3122199	Rad. core, 1949	74.00
10 3119115	Rad. core, 1948	74.70
553892	Brkt.	.35
11 554287	Front fender, 1948.	32.50
11 557547	Fender, 1949	29.00
556229	Brkt., 1949	.90
554161	Brkt., 1948	.75
553918	Baffle brkt., 1948	.10
12 554175	Baffle assy., 1948	2.00
12 555881	Baffle assy., 1949	2.90
13 556233	Fender plate, L., 1949	4.50



**WINDSHIELD
4 DOOR**

Item Part No.	Description	Price
1 4583785	Midg., up., 1948-49.	3.75
2 4583789	Midg., low.	4.75
3 4561002	Div. midg.	2.50
457912	Retainer, 1948-49	.55
4 4532582	Glass	22.50
5 4554190	Channel glass rubber, 1948	13.60

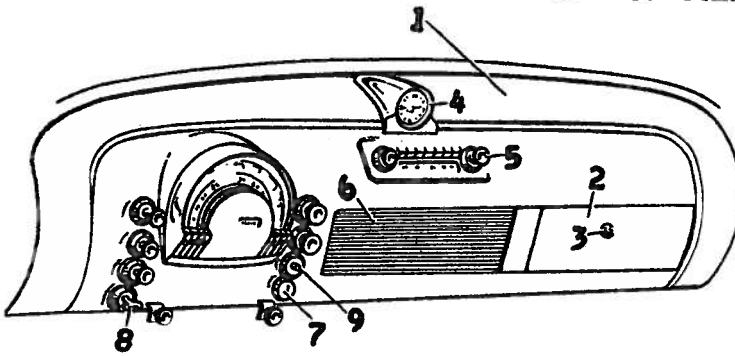


HOOD

Item Part No.	Description	Price
1 554338	Hood panel, 1948	38.70
1 556595	Hood panel, 1949	38.70
2 554141	Latch assy.	1.50
3 554825	Hinge spring	1.00
4 554384	Prop assy.	1.25
5 554388	Prop spring, 1948	.45
5 554489	Prop spring, 1949	.40
6 557581	Brkt. & links, less supports	3.80
7 554321	Brace to body	.45
8 557582	Support	4.10
9 554798	Emblem, front, 1948	1.90
10 554737	Ornament, less Lucite, 1948	4.60
10 555998	Ornament, metal type	7.00

BODY PARTS 1948 and 1949 OLDSMOBILE

Series 98. ALL BODY STYLES

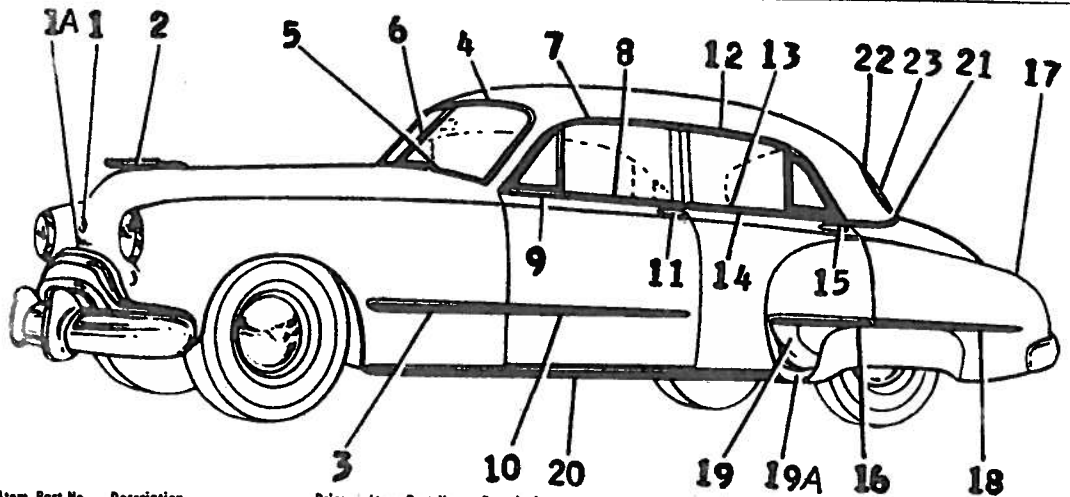


INSTRUMENT PANEL

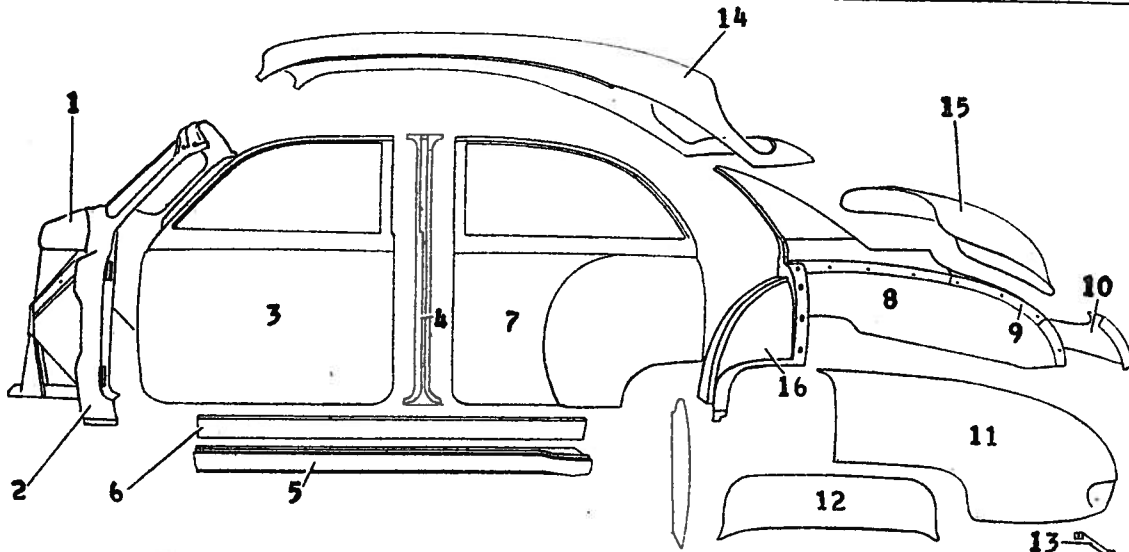
Item Part No.	Description	Price	Item Part No.	Description	Price
1 4570575	Inst. panel, not painted, 1949	18.75	4 4146828	Clock	11.35
1 4583168	Inst. panel, not painted, 1948	18.00	4 534302	Elec. clock, 1948-49	18.00
2 4552997	Door, 1948-49	4.50	5 554339	Radio control	2.15
4563944	Wiper control, 1948	1.75	6 553971	Radio grille, 1948	5.70
3 4099313	Lock assy., 1948	1.90	7 1116453	Ignition switch	1.75
			8 533862	Hood control, 1948	3.70
			9 553908	Light switch knob	2.90

MOLDING 4-DOOR

Item Part No.	Description	Price
1a 553984	Letter on hood front "O"	.40
1a 553985	Hood letter "L"	.40
1a 553986	Hood letter "D"	.40
1a 553987	Hood letter "M"	.40
1a 553988	Hood letter "G"	.40
1a 553989	Hood letter "B"	.40
1a 553990	Hood letter "J"	.40
1a 553991	Hood letter "E"	.40
1 554788	Emblem, 1948	1.90
1 556649	Emblem, 1949	4.20
2 554757	Ornament	4.60
2 555988	Ornament, all metal	7.00
3 553033	Mldg., 1948	5.00
3 556871	Mldg., 1949	5.70
4 4563785	Mldg., up., 1948-49	3.75
5 4563789	Mldg., low., 1948-49	4.75
6 4561002	Div. mldg., 1948-49	2.50
4557912	Retainer, 1948-49	.55
7 4551283	Mldg., up., 1948	4.20
8 4551281	Mldg., low., 1948	5.20
4564671	Reveal mldg., L., 1949	8.50
9 4102157	Door reveal mldg., 1948	.85
10 4555618	Door mldg., low., 1948	12.80
11 4551296	Mldg., up., 1948-49	.75
11 4551298	Mldg., low., 1948	1.00
11 4564857	Mldg., low., 1949	.65
11 556802	Mldg., center, 1949	.60
11 556803	Mldg., center, 1949	.60
12 4551293	Mldg., up. reveal, 1948	4.75
12 4571582	Mldg., up., 1949	4.85



Item Part No.	Description	Price	Item Part No.	Description	Price	Item Part No.	Description	Price
13 4551295	Mldg., low., 1948	5.20	18 553937	Mldg., side, up.	5.75	20 556497	Mldg., 1949	4.70
13 4565034	Mldg., low., 1949	8.75	19 4553891	Shield, 1948	6.70	555312	Clip, 1949	.06
14 4553891	Mldg., up., 1948	6.70	19 4562256	Shield, 1949	6.00	21 4131592	Quar. panel mldg.	3.40
14 4555625	Mldg., up., 1948	10.20	19a 4554581	Ext. shield, 1948	2.60	21 4564746	Reveal mldg., 1949	5.50
15 4553888	Handle	2.90	19a 4565470	Ext. shield, 1949	4.00	22 4563797	Mldg., up., 1948	4.00
16 4555625	Mldg., low. L.	10.20	20 554227	Mldg., 1948	5.70	22 4565091	Mldg., up., 1949	5.25
17 557337	Mldg. with reflector	8.00	354230	Clip, 1948	.08	23 4561003	Bar, 1948	2.00



SHEET METAL

4 DOOR		Item Part No.	Description	Price	
Item Part No.	Description	Price	Item Part No.	Description	Price
4568853	Cowl and dash assy., 1949	110.00	4 4553274	Pillar	26.25
1 4137004	Cowl, up., 1948	5.76	5 4552057	Panel, out.	6.50
2 4551410	Cowl, low., 1948	6.90	5 4553940	Panel, out.	6.50
3 4552698	Door panel, 1948	21.75	6 4553130	Panel, in.	6.50
			7 4552698	Panel	21.00

Item Part No.	Description	Price	Item Part No.	Description	Price
8 4567881	Quar. panel, 1949	47.85	11 557233	Fender, 1949	19.50
8 4553305	Panel assy., 1948	47.85	12 554133	Fender panel	9.25
9 4550932	Panel extension	2.75	13 554039	Brkt.	.50
4558905	Panel, low. rear	3.90	14 4553508	Roof panel	52.50
10 4551149	Rear panel, 1949	2.50	15 4570959	Deck lid, 1949	39.00
10 4550933	Rear end panel, 1948	6.00	15 4552492	Deck lid, 1948	36.90
11 554201	Fender, 1948	18.50	16 4550835	Rear quar. lock pillar	6.30

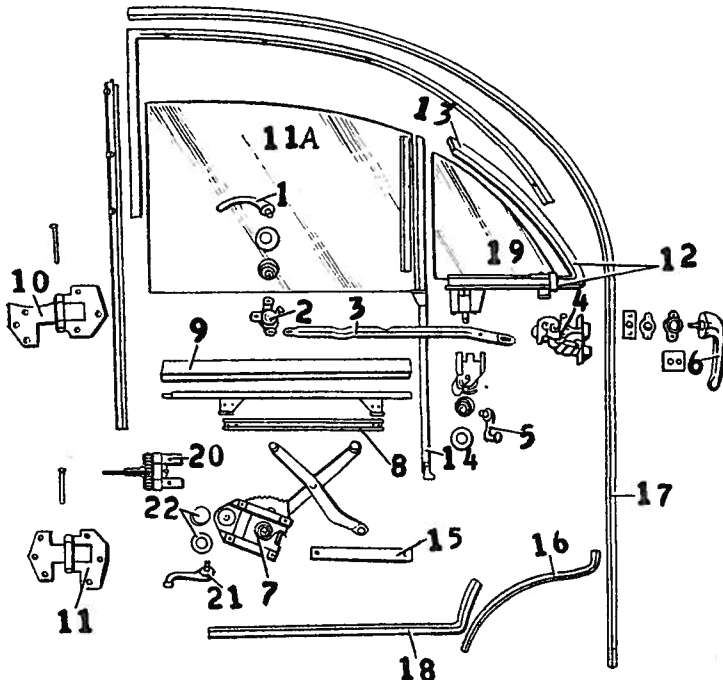
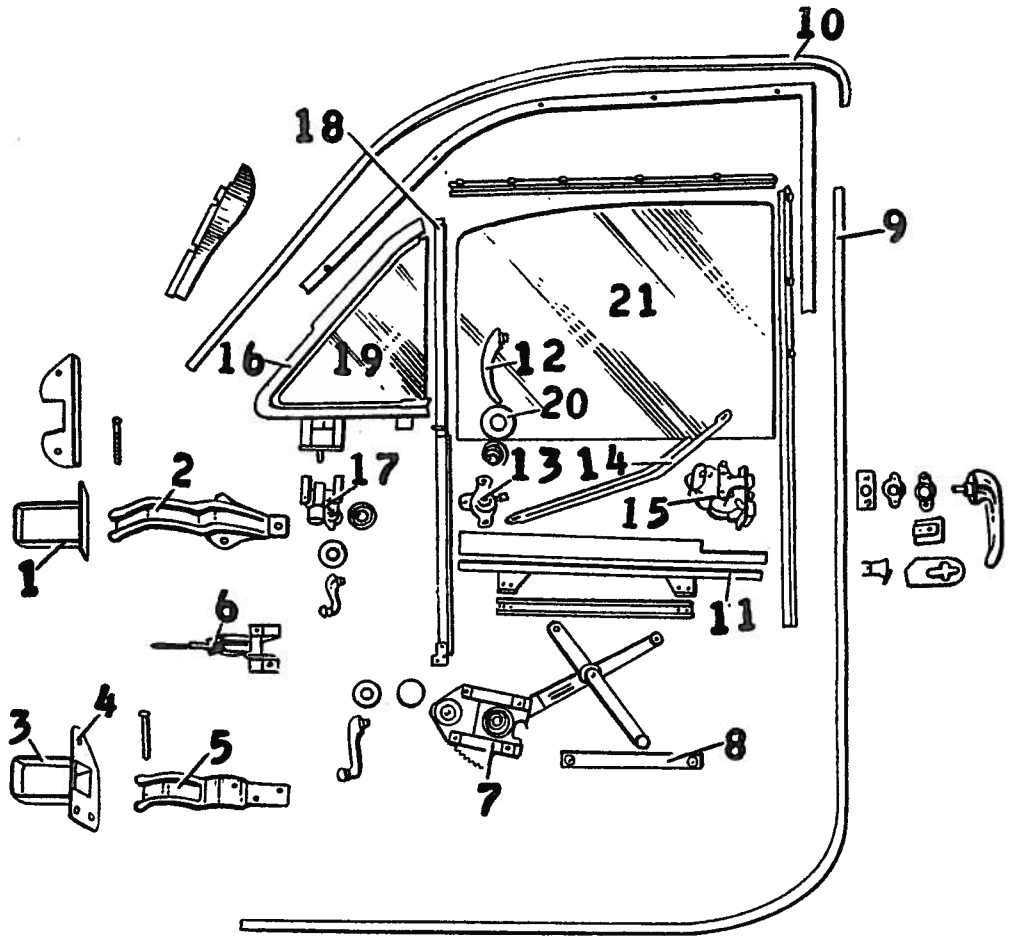
OLDSMOBILE 1948 and 1949 BODY PARTS

Series 98. ALL BODY STYLES

FRONT DOOR

4 DOOR MODELS

Item	Part No.	Description	Price
	4164777	Door Assy., 1948...	37.00
	4569752	Door Assy., 1948	47.00
	4569753	Door, 1948-49	47.00
1	4162132	Hinge, up. box	1.85
2	4162118	Hinge strap	3.80
3	4162130	Hinge, low. box	1.85
4	4125230	Hinge, low.	3.40
5	4162128	Hinge strap	3.60
6	4556573	Link door check	2.50
7	4566417	Regitr., 1949	4.00
7	4551341	Regitr., 1948	4.70
8	4099974	Cam, 1948	.35
8	4555932	Cam wind. lift, 1948	1.00
9	4554620	W/strip, 1948, bottom	1.50
9	4556478	W/strip, 1948	2.15
10	4131392	W/strip, top and sides	1.15
11	4532378	Channel, low.	1.00
12	4564256	Inside handle, 1949	1.25
13	4554306	Remote control, 1948	.90
13	4554000	Remote control, 1948	1.00
13	4570308	Remote control, 1949	.85
14	4558186	Link	.30
15	4553111	Lock	5.60
16	4552590	Vent. Assy.	12.00
17	4551309	Regitr.	3.00
18	4162197	Channel, 1948-49	7.25
19	4552537	Glass, 1948-49	3.45
20	4551579	Escutcheon, 1948	.45
21	4552537	Door glass	9.85



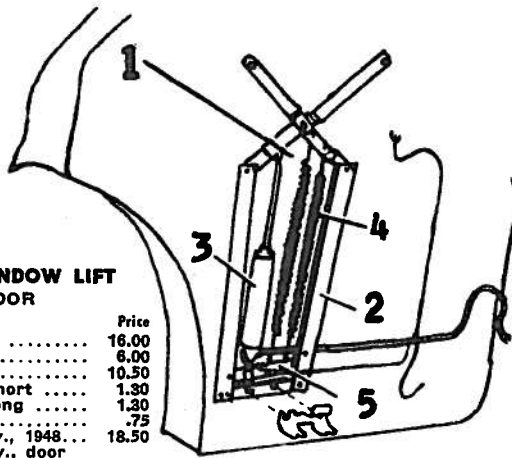
REAR DOOR

4 DOOR MODELS

Item	Part No.	Description	Price	Item	Part No.	Description	Price
	4552708	Door Assy., 1948	46.00		4557196	Cam hydraulic lift, 1948	1.00
	4569624	Door Assy., 1949	52.00		4569658	Cam hydraulic lift, 1949	1.30
	557337	Mldg. with reflector, 1949	8.00	9	4552386	Glass channel (hyd.)	1.70
	4553891	Rear fender shield	6.70	9	4556305	Channel, 1948-49	.90
	4565256	Rear fender shield	6.00	10	4551136	Hinge, up.	2.60
	4565470	Rear fender shield, 1949	4.00	11	4551134	Hinge, low.	2.60
	4554581	Rear fender shield, 1948	2.60	11a	4551225	Door glass, 1948	10.30
1	4091127	Handle, inside, 1948	.90	12	4552825	Vent. Assy.	11.50
1	4564256	Handle, inside, 1949	1.25	13	4162210	W/strip	1.65
2	4554000	Remote control, 1948	1.00	14	4551201	Channel, division	4.00
3	4555689	Control link, 1948-49	.45		4551460	Air deflector, 1948	1.80
4	4554082	Lock Assy.	5.80		4557597	Air deflector, 1948-49	2.00
5	4564257	Regitr. handle	1.70		4563005	Air deflector, 1948	2.00
5	4551545	Regitr. handle, 1948	1.30	15	4073937	Cam	.35
6	4553889	Outside handle	2.90	16	4554065	W/strip	.75
7	4551350	Regitr., 1948	4.70	17	4162420	W/strip	1.75
7	4566418	Regitr., 1949	4.00	18	4554074	W/strip	1.15
	4551905	Garnish mldg. (tan), 1948	7.00	19	4552538	Vent. glass	4.00
	4557434	Garnish mldg., 1948-49	7.60	20	4556573	Door check link	2.35
	4562988	Garnish mldg., 1948	7.60	21	4551545	Regitr. handle, 1948	1.30
8	4099974	Cam track	.35	21	4564257	Regitr. handle, 1949	1.70
				22	4551579	Escutcheon, regitr. handle, 1948
				22	4565043	Plate, bearing

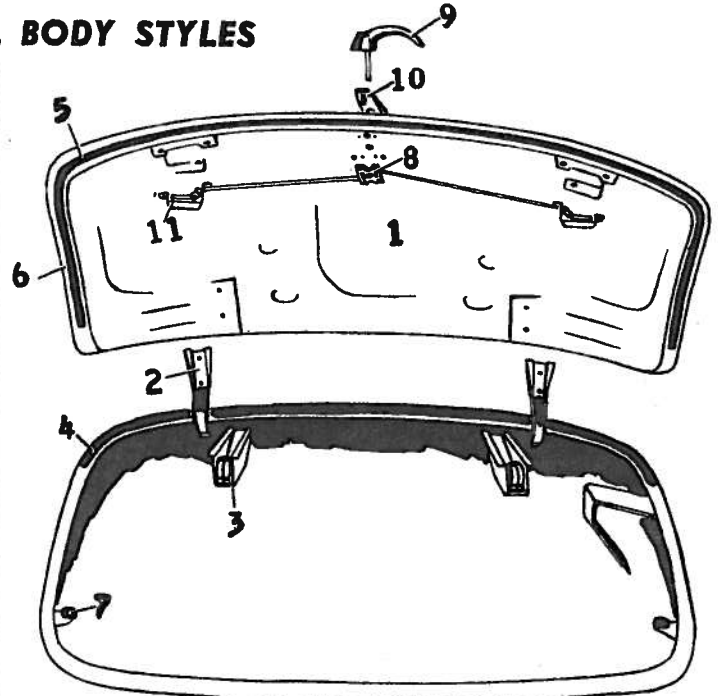
BODY PARTS 1948 and 1949 OLDSMOBILE

Series 98. ALL BODY STYLES



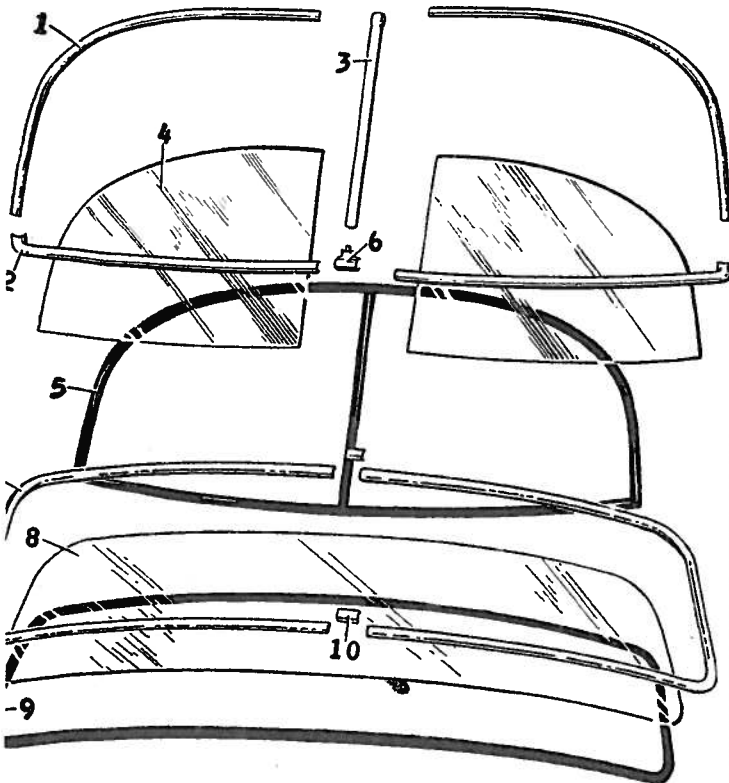
HYDRAULIC WINDOW LIFT REAR DOOR

Item	Part No.	Description	Price
1	4557177	Lift assy.	16.00
2	4558974	Frame	6.00
3	4558970	Cylinder	10.50
4	4562215	Spring, short	1.30
4	4562216	Spring, long	1.30
5	4559410	Support	.75
	4557854	Wire assy., 1948	18.50
	4568230	Wire assy., door and seat	13.50



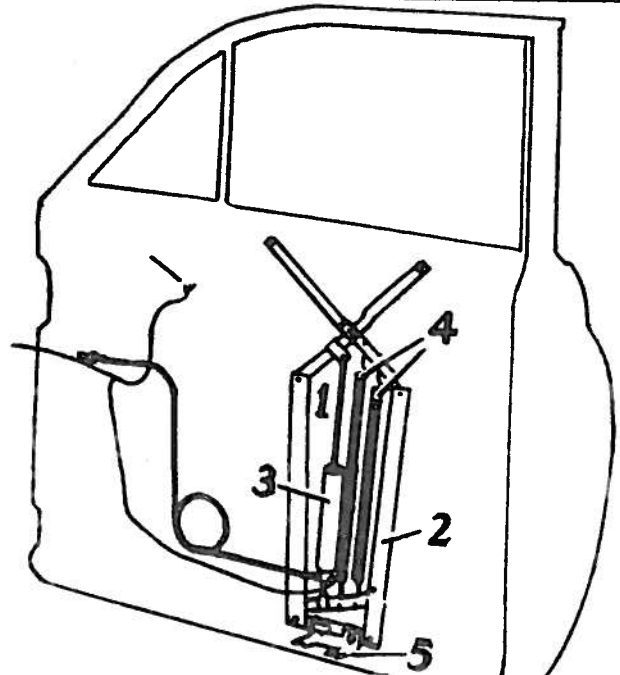
REAR DECK COMPARTMENT

Item	Part No.	Description	Price	Item	Part No.	Description	Price
1	4552492	Deck lid, 1948	36.30	9	4150107	Locking handle, 3 3/4 in. long	5.20
1	4570959	Deck lid, 1949	39.00	9	4552021	Locking handle, 1948-49	7.60
2	4165797	Hinge strap, 1948-49	1.00	9	4570967	Locking handle, 2nd type	7.60
3	4162150	Hinge box, 1948-49	2.50	10	4553936	Handle escutcheon, 1948	.40
4	4558304	W/strip, 1948	6.50	10	4572394	Handle escutcheon, 1949	.50
5	4568880	W/strip, up, 1949	4.00	11	4551921	Lock assy., left	1.40
6	4573809	W/strip, sides, 1949	3.00				
7	4137121	Sup. bumper	.06				
8	4552088	Lid lock control, 1948-49	2.50				



BACK WINDOW

Item	Part No.	Description	Price	Item	Part No.	Description	Price
1	4563797	Reveal midg., left, upper, 1948	4.00	4162574	Strip channel filler	3.80	
2	4563803	Reveal midg., left lower, 1948	4.25	6	4166926	Escutcheon clip, 2nd type	
	4565091	Reveal midg., upper left, 1949	5.25	6	4554390	Escutcheon clip, 1948	
3	4561003	Midg., outer division, 1948	2.00				
4	4552527	Glass, left, 1948	10.75				
4	4566944	Glass, 1949	21.25				
5	4554403	Channel glass rubber, 1948	10.60				
5	4566382	Channel rubber, 1949	8.25				
	4558164	Retainer	.50				

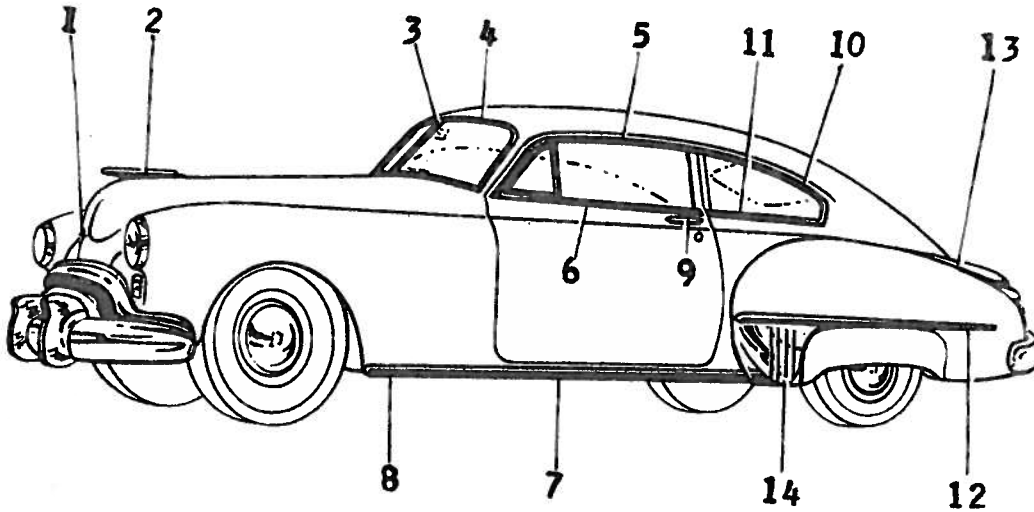


HYDRAULIC LIFT ASSEMBLY FRONT DOOR

Item	Part No.	Description	Price	Item	Part No.	Description	Price
1	4556166	Lift assy.	16.00	4555932	Cam track, 1948	1.00	
2	4562211	Frame	7.80	4569658	Cam track, 1949	1.30	
3	4558970	Cylinder	10.50	5	4556251	Sup. brkt., 1948	1.20
4	4562215	Spring, door, short	1.30	5	4574079	Sup. brkt., 1949	1.25
4	4562216	Spring, door, long	1.30				

OLDSMOBILE 1948 and 1949 BODY PARTS

Series 98. ALL BODY STYLES

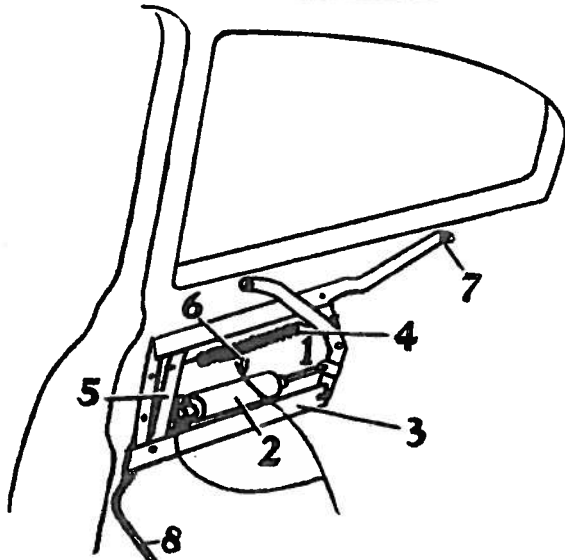
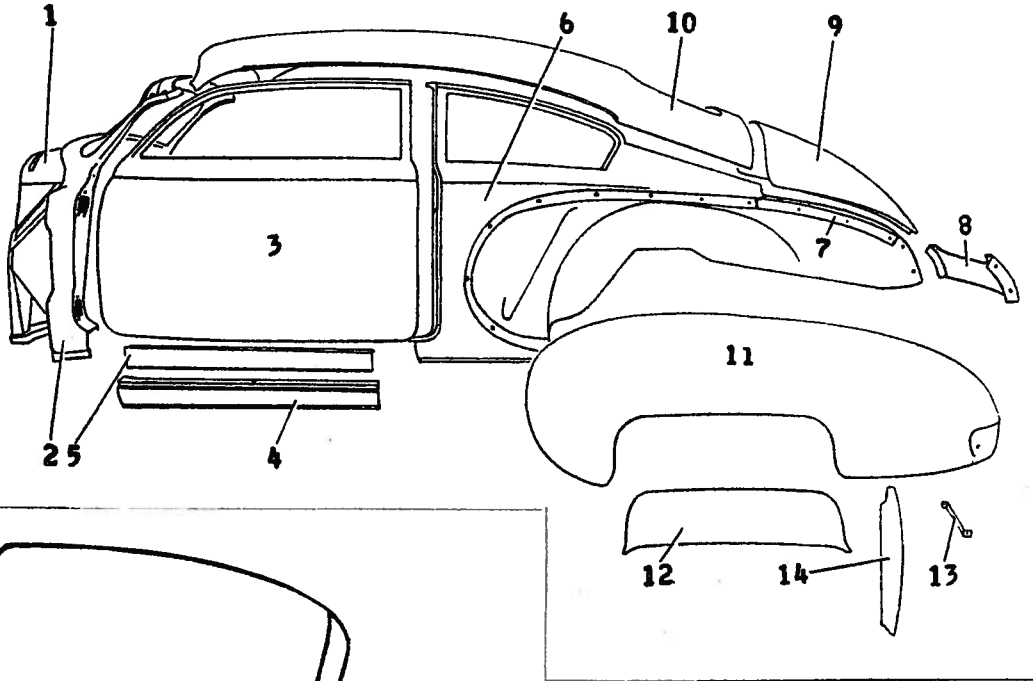


CAR BODY MOLDING 2 DOOR

Item	Part No.	Description	Price
1	554798	Emblem, 1948	3.50
1	556649	Emblem, 1949	4.20
1A	553984	Letter on hood front "O"	.40
	553985	Hood letter "L"	.40
	553986	Hood letter "D"	.40
	553987	Hood letter "S"	.40
	553988	Hood letter "M"	.40
	553989	Hood letter "B"	.40
	553990	Hood letter "I"	.40
	553991	Hood letter "E"	.40
2	555988	Ornament, 1949	7.00
2	554757	Ornament, 1948	4.60
3	4557332	W/shield div. midg.	2.50
4	4563787	W/shield reveal, up.	3.50
4	4563789	W/shield reveal, lower	4.75
5	4553601	Front window reveal, upper	8.00
5	4555081	Front window, low.	6.20
6	554229	Rocker panel midg., 1948	5.50
6	556645	Rocker midg., 1949	5.50
7	558871	Fender midg., Futuramic 88	5.70
8	553903	Fender midg., 1948	5.00
9	4553889	Door handle	2.90
10	4553594	Quarter window, upper midg.	8.40
11	4555020	Quarter midg., low.	5.60
12	553935	Rear fender midg.	11.40
13	357337	Midg. with deflector	8.00
14	553965	Fender shield	6.00
14	556419	Fender shield	7.00

BODY SHEET METAL 2-DOOR

Item	Part No.	Description	Price
1	4554199	Cowl assy., 1948	94.00
1	4569209	Cowl assy., 1949	115.00
2	4551410	Panel, low. section	6.90
3	4554129	Door panel, 1948	25.00
3	4565242	Door panel, 1949	18.50
4	4553940	Panel, outer, 1948	6.50
4	4553312	Panel, outer, 1949	11.50
5	4554733	Panel, inner, 1948	6.50
5	4550990	Panel, inner, 1949	7.75
6	4555106	Qtr. panel, 1948-49	52.35
	49		52.35
7	4553608	Panel, outer extension	3.25
8	4551149	Rear end pan.	2.50
8	4553606	Panel, rear end	7.50
9	4555197	Lid	34.00
9	4571385	Lid	31.50
10	4555111	Panel	52.50
11	554203	Rear fender, 1948	25.25
11	556413	Rear fender, 1949	25.25
12	554133	Fender panel	9.25
13	354089	Bracket	.50
14	553947	Fender deflector	2.15

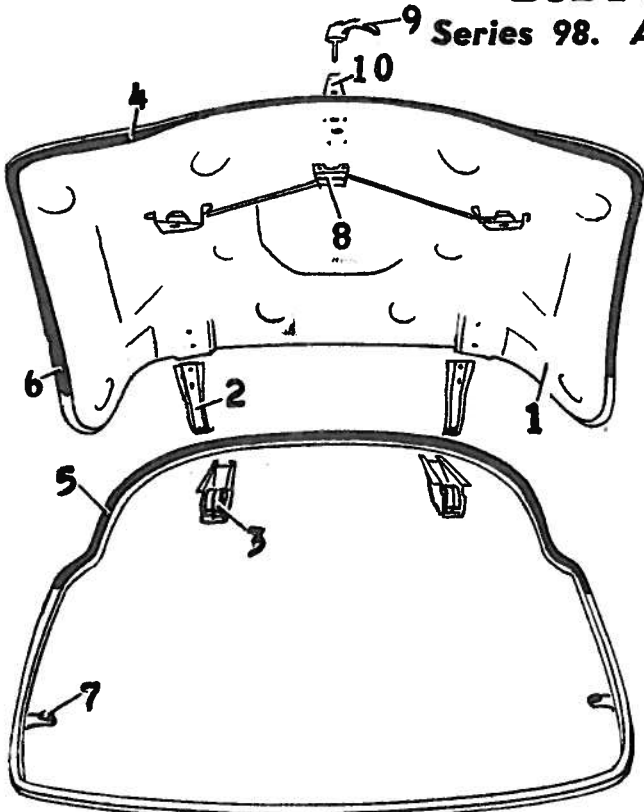


HYDRAULIC REAR QUARTER WINDOW 2-DOOR SEDAN

Item	Part No.	Description	Price
1	4557025	Lift assembly	16.00
2	4558872	Cylinder	9.50
3	4558978	Frame	6.00
4	4559326	Spring	1.00
5	4557027	Support	.75
6	4558224	Control switch	3.60
7	4557023	Cam	1.15
8	4557921	Wire assy., 1948	18.50

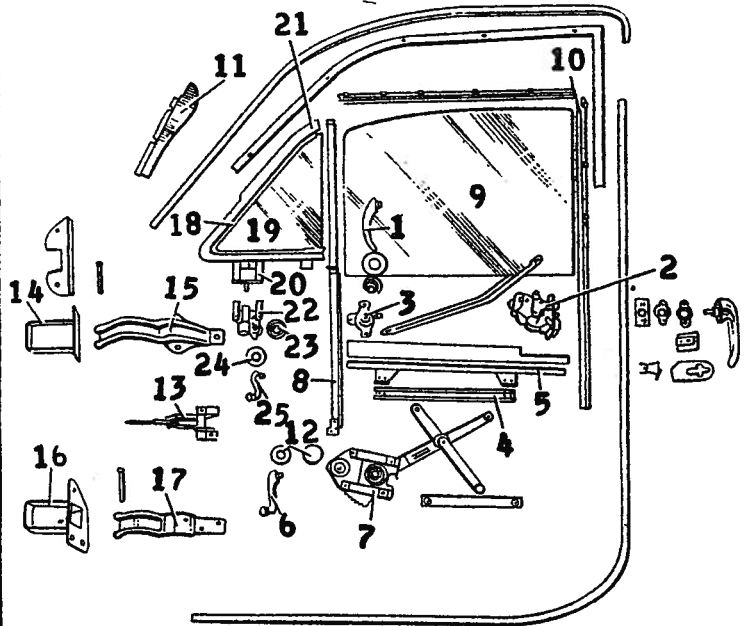
BODY PARTS 1948 and 1949 OLDSMOBILE

Series 98. ALL BODY STYLES



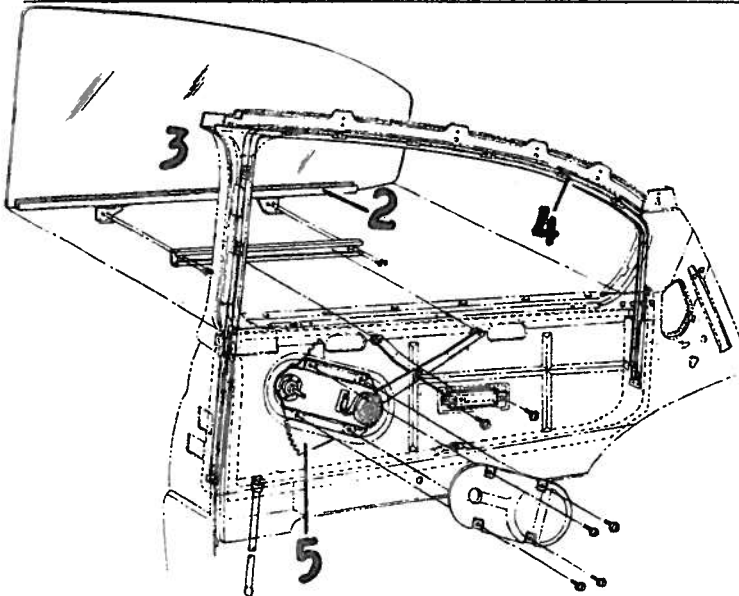
REAR DECK COMPARTMENT

Item Part No.	Description	Price	Item Part No.	Description	Price
1 455197	Deck lid, 1948	34.00	9 4150107	Looking handle, 3/4 long	5.20
1 4571365	Deck lid, 1949	31.50	10 4553936	Handle Escutcheon, 1948	.50
2 4165797	Hinge strap, 1948-49	1.00	10 4572394	Handle Escutcheon, 1949	.50
3 4162154	Hinge box, 1948-49	3.00	4551921	Lock assy., left, 1948	1.40
4 4558304	W/strip, 1948	6.50	4162144	Hold open lid hinge, 1948	1.75
4 4568967	W/strip, 1949	4.00	554838	Hydramatic emblem	2.00
6 4573809	W/strip, sides, red mark	3.00	553997	Emblem for stand-trans.	2.15
7 4137121	Support bumper	.08			
8 4555604	Lid lock control, 1948-49	2.25			
9 4552021	Lock. han., 1948-49	7.60			



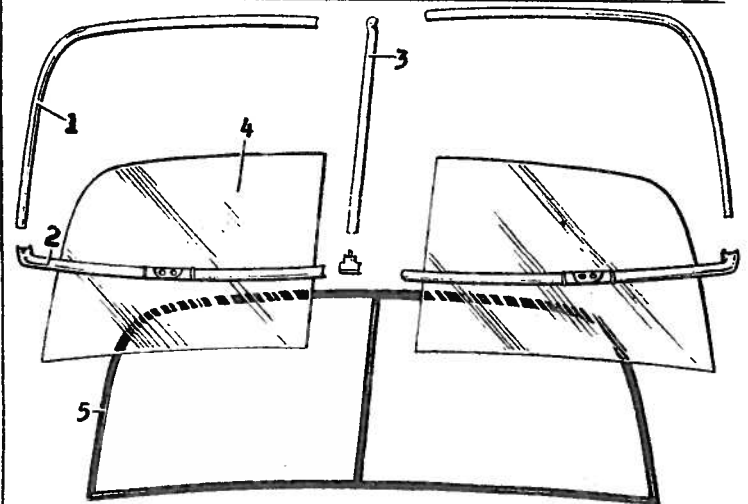
**FRONT DOOR
2-DOOR SEDAN**

Item Part No.	Description	Price	Item Part No.	Description	Price
4569694	Door assembly	53.00	8 4357538	Division channel, 1948	4.00
4534129	Panel, outer	25.00	8 4957540	Division channel, 1948-49	4.00
4565242	Panel, outer	18.50	8 4563001	Division channel, 1948	4.00
1 4564256	Handle inside	1.25	9 4554731	Door glass, 1948-49	12.60
4554977	Window garnish midg., 1948	7.60	10 4075477	Glass run, up	1.95
4557279	Window garnish, 1948-49	8.00	11 4555083	Rain deflector	.60
4562979	Window garnish, 1948	8.00	12 4551579	Escutcheon reg. handle
2 4553111	Lock assy.	5.60	13 4558573	Check link	2.50
3 4566676	Remote control, 1949	.85	14 4162132	Hinge box, upper	1.85
3 4554506	Remote control, 1948	.90	15 4162118	Hinge strap, upper	3.80
4 4077768	Cam track channel	.40	16 4162130	Hinge box, lower	1.85
5 4555932	Door window lift, 1948	1.00	17 4162128	Hinge strap, lower	3.60
5 4557195	Door window lift, 1949	1.00	18 4554879	Vent assy.	12.00
6 4564257	Regulator handle, 1948	1.70	19 4554717	Glass	3.20
7 4553212	Window regulator, 1948	5.20	18 4162195	Channel chrome	5.60
7 4566415	Window regulator, 1949	5.20	20 4128368	Lock	.60
			21 4162208	W/strip	1.65
			22 4551309	Regulator, 1948	3.00
			22 4568626	Regulator, 1949	2.60
			23 4078002	Spring	.06
			24 4565043	Escutcheon	.05
			25 4565342	Vent handle	2.00



REAR QUARTER WINDOW

Item Part No.	Description	Price	Item Part No.	Description	Price
4554983	Midg., tan trim, 1948	7.40	3 4554997	Glass	13.25
4557281	Midg., gray, 1948-49	8.00	4 4102157	W/strip	.85
4562985	Midg., 1948	8.00	5 4561574	Window regltr., 1949	3.80
2 4554986	Channel, lower	.90	4551545	Regltr. han., 1948
2 4557016	channel, lower	.90	4564257	Regltr. han., 1949



WINDSHIELD

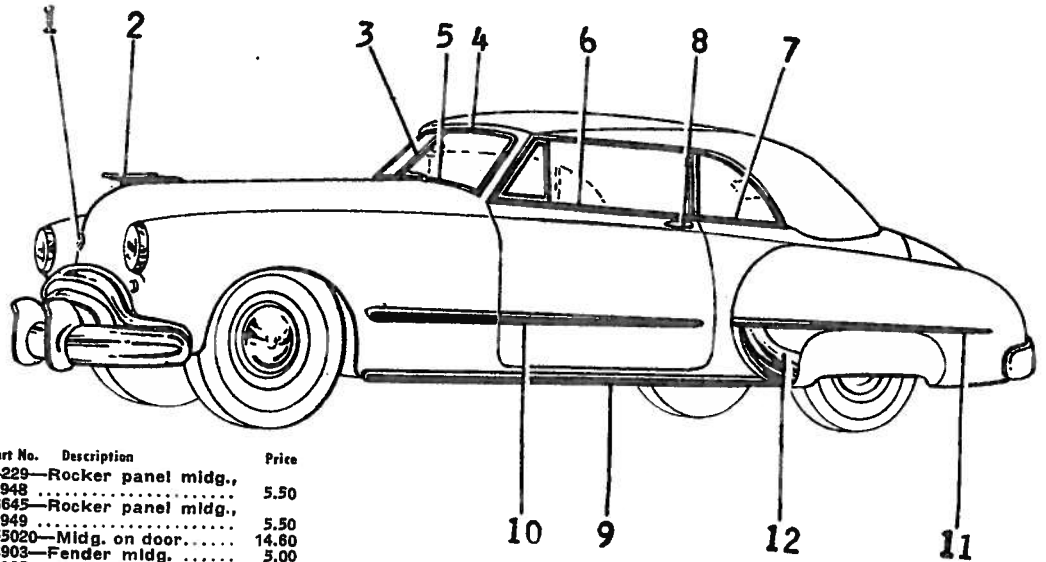
Item Part No.	Description	Price	Item Part No.	Description	Price
1 4563787	Reveal midg., up	3.50	4 4556945	Glass	21.25
2 4563789	Reveal midg., low	4.75	5 4556045	Channel glass rubber	13.00
3 4557332	Division midg.	2.50			

OLDSMOBILE 1948 and 1949 BODY PARTS

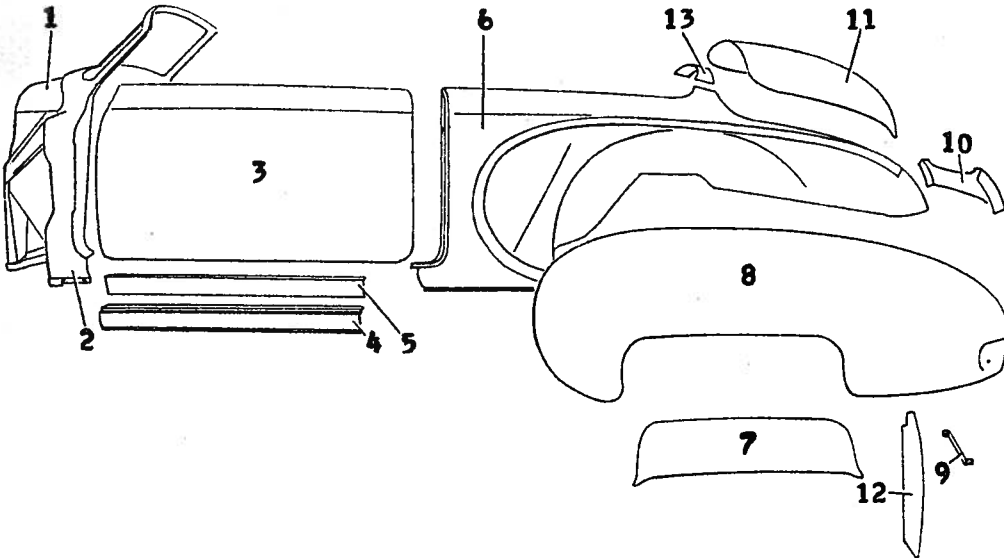
Series 98. ALL BODY STYLES

CAR BODY MOLDING CONVERTIBLE AND HOLIDAY COUPE

Item	Part No.	Description	Price
1A	553984	Letter on hood front "O"	.40
	553985	Hood letter "L"	.40
	553986	Hood letter "D"	.40
	553987	Hood letter "S"	.40
	553988	Hood letter "M"	.40
	553989	Hood letter "B"	.40
	553990	Hood letter "I"	.40
	553991	Hood letter "E"	.40
1	554798	Emblem hd., f., 1948	1.90
1	556649	Emblem hd., f., 1949	4.20
2	554757	Ornament hd., 1948	4.60
2	555998	Ornament hd., 1949	7.00
3	4557832	Division midg., ...	2.50
4	4563791	W/shield midg., up.	3.75
5	4563793	W/shield midg., low.	4.75
	4563886	W/shield, left side midg.	1.75
	4557394	W/shield, left pillar midg.	4.00
6	4557060	Door reveal midg.	9.00
	4573416	Quarter window reveal midg., 1949
	4562187	Quarter window reveal midg.
7	4562187	Rr. qtr. belt midg.	9.00
7	4573416	Rr. qtr. belt midg., 1949
	4573032	Rr. end belt midg., 1949
8	4553889	Door handle	2.90



Item	Part No.	Description	Price
	9 554229	Rocker panel midg., 1948	5.50
	9 556645	Rocker panel midg., 1949	5.50
	10 4555020	Midg. on door	14.60
	11 553903	Fender midg.	5.00
	12 553965	Fender shield, 1948	6.00
	12 556419	Shield, 1949	7.00

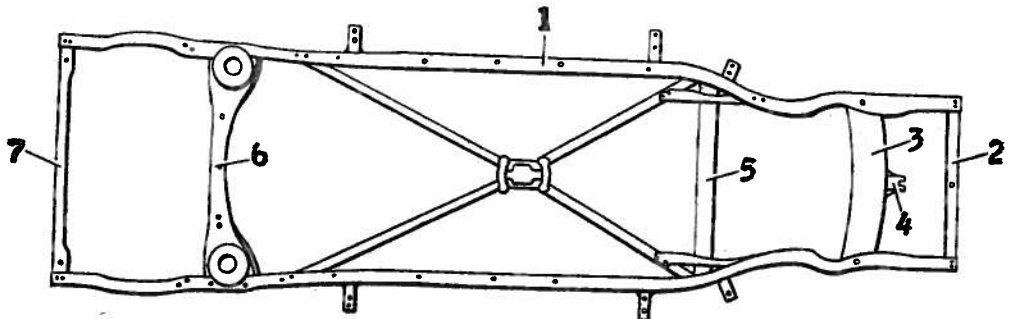


BODY SHEET METAL CONVERTIBLE AND HOLIDAY COUPE

Item	Part No.	Description	Price
1	4558153	Cowl assy., 1948	100.00
1	4568743	Cowl assy., 1949	130.00
2	4551410	Panel, low, sec.	6.90
3	4556805	Door panel, 1948	19.00
3	4565244	Panel, 1949	17.00
4	4553940	Rocker panel, out., 1948	6.50
4	4553312	Panel outer, 1949	11.50
5	4551897	Rocker, inner, 1948	7.75
5	4550990	Rocker, inner, 1949	7.75
	4554916	Panel rear quarter, outer extension	3.25
6	4558877	Rr. qtr. panel assy.	43.00
7	554133	Fender panel	9.25
8	554203	Fender, 1948	25.25
8	556413	Fender, 1949	25.25
9	554039	Bracket	.50
10	4551149	End pan	2.50
10	4554917	Rear end panel	7.75
11	4556050	Deck lid, 1948	36.50
11	4570961	Deck lid, 1949	43.00
12	554175	Baffle assy.	2.00
13	4555158	Panel above deck lid	5.25

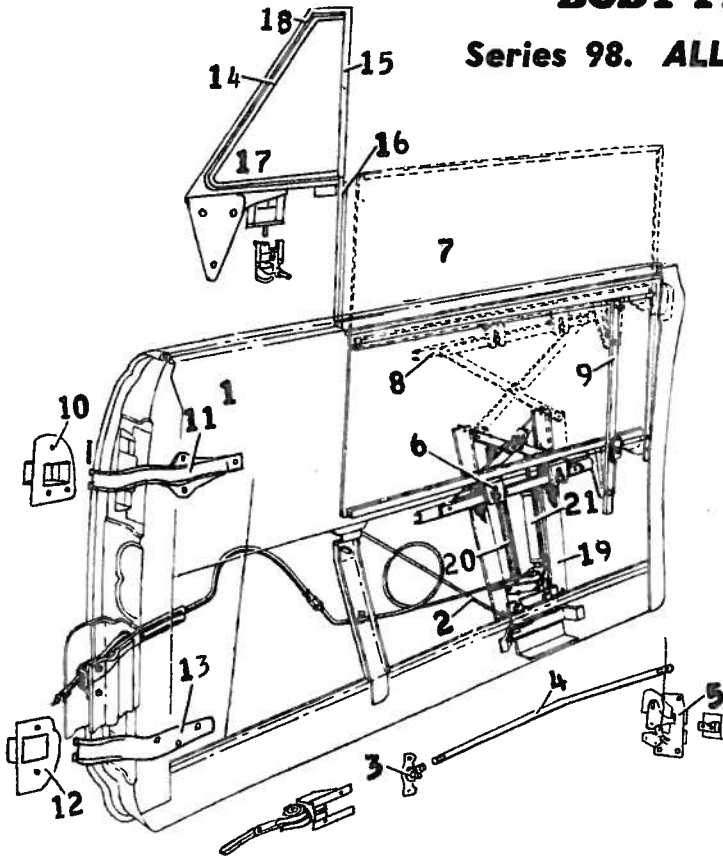
FRAME

Item	Part No.	Description	Price
1	555980	Frame assy., conv.	164.75
1	554815	Frame assy., ex. conv.	101.50
2	554708	Frame rad. support	1.15
3	554709	Front cross member	12.65
4	554731	Rad. brkt.	1.10
5	553855	Second cross member, S.T., 1948	1.85
5	553900	Second cross member, H.T., 1948	3.40
5	556139	Second cross member, H.T.	4.50
6	554006	Third cross member, 1949	7.50
7	554732	Rear cross member	2.60
7	415529	Rear cross member, conv. cpe.	2.90



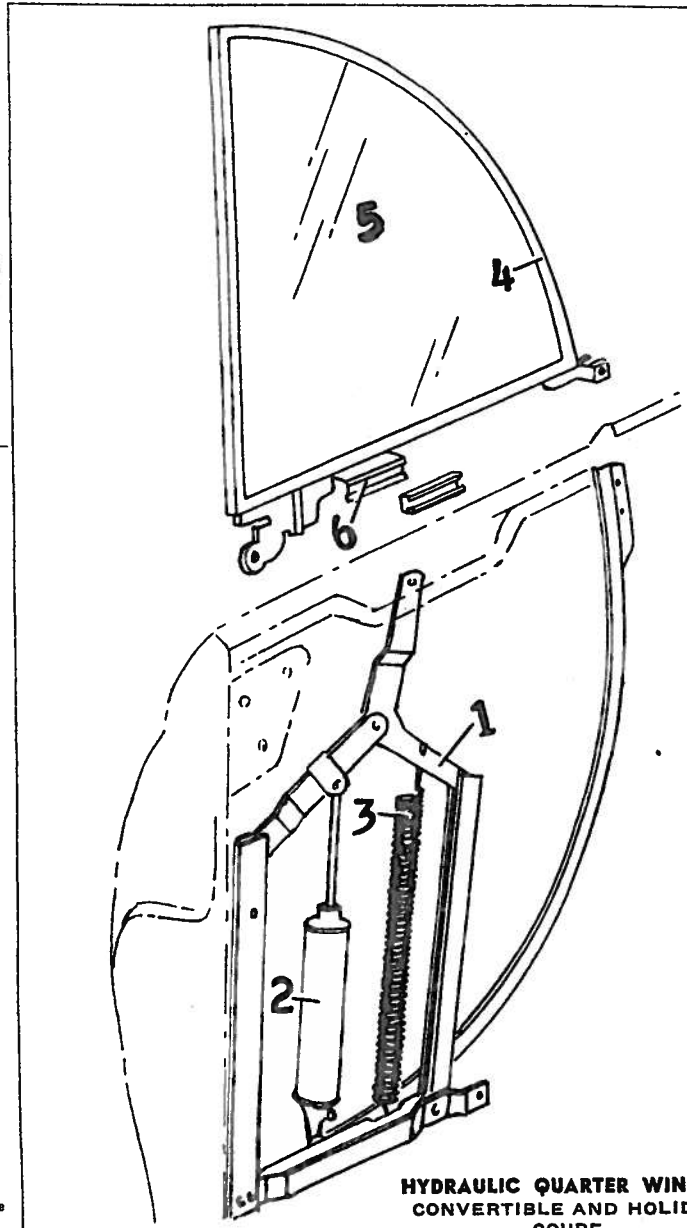
BODY PARTS 1948 and 1949 OLDSMOBILE

Series 98. ALL BODY STYLES



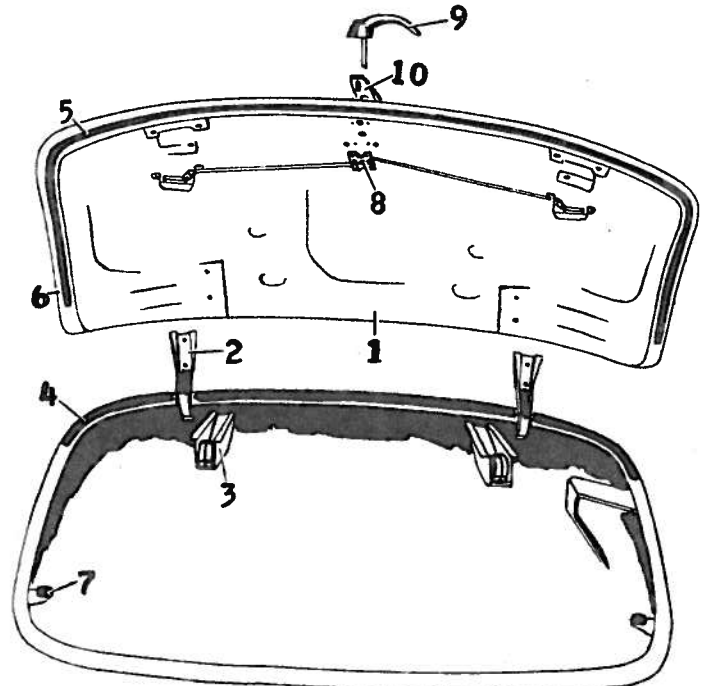
DOOR ASSEMBLY CONVERTIBLE AND HOLIDAY COUPE

Item Part No.	Description	Price	Item Part No.	Description	Price
1	4556737—Door assy., 1948...	53.00	9	4557714—Guide door window	1.15
1	4569703—Door assy., 1949...	53.00	10	4162132—Hinge box, up...	1.85
2	4556932—Stiffener bolt	.45	11	4162118—Hinge strap	3.80
3	4566676—Remote control lock, 1949	.85	12	4162130—Hinge box, low...	1.85
3	4554506—Remote control, 1948	.90	13	4162128—Hinge strap, low...	3.60
4	4557355—Link, remote control	.20	14	4556515—Vent., complete assy.	42.00
5	4557039—Lock assy.	6.00	15	4162218—Vent. frame, 1948-49	13.75
	4553889—Handle, outside, plain	2.90	15	4162928—Vent. frame, 1949	13.75
	4564256—Handle, inside	1.25	16	4162226—Division channel	4.00
6	4149747—Window lift	1.15	17	4558189—Glass	3.45
7	4557547—Door glass	12.60	18	4162214—W/strip	4.00
8	4557510—Channel w/lower sash	4.60	19	4562211—Hyd. window frame	7.80
			20	4562215—Spring, short	1.30
			20	4562216—Spring, long	1.30
			21	4559325—Hyd. cylinder	12.85



HYDRAULIC QUARTER WINDOW CONVERTIBLE AND HOLIDAY COUPE

Item Part No.	Description	Price	Item Part No.	Description	Price
	554838—Hyd. emblem, 1 3/4 stud	2.00	1	4556854—Hyd. lift assy.	18.00
	557329—Hyd. emblem, 2 3/4 stud	1.90	2	4558971—Cylinder, 1948-49	9.50
	553997—Emblem for standard trans.	2.15	3	4559327—Spring	1.75
			4	4558976—Frame	6.50
			5	4558924—Glass	8.35
			6	4557937—Lower sash channel	...



DECK COMPARTMENT CONVERTIBLE AND HOLIDAY COUPE

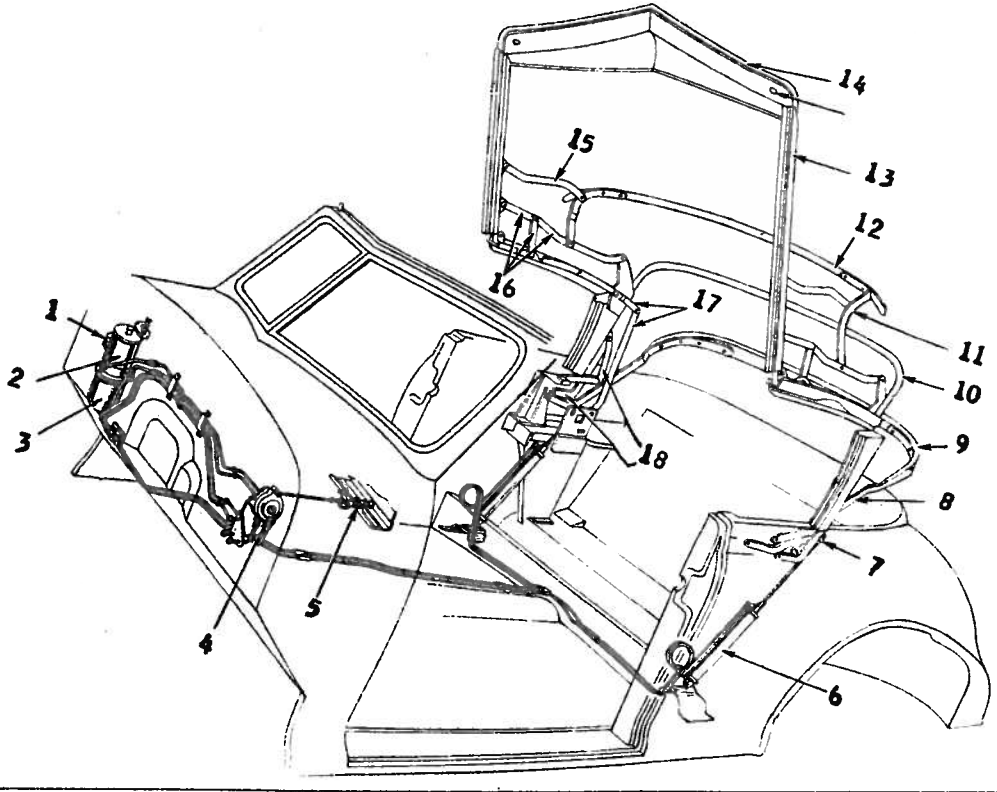
Item Part No.	Description	Price	Item Part No.	Description	Price
1	4556050—Deck lid, 1948	36.50	9	4150107—Locking handle, 1949	5.20
1	4570961—Deck lid, 1949	43.00	9	4552021—Locking handle, 1949	7.60
2	4165797—Hinge strap, 1948-49	1.00	9	4570967—Locking handle, 2nd type	7.60
3	4162158—Hinge box, 1948-49	2.50	10	4571373—Handle escutcheon	.50
4	4558304—W/strip, 1948	6.50		4162148—Hold open lid hinge, 1948	1.75
5	4566826—W/strip, up., 1949	4.00			
6	4572822—W/strip, sides, 1949	3.00			
7	4137121—Support bumper	.06			

OLDSMOBILE 1948 and 1949 BODY PARTS

Series 98. ALL BODY STYLES

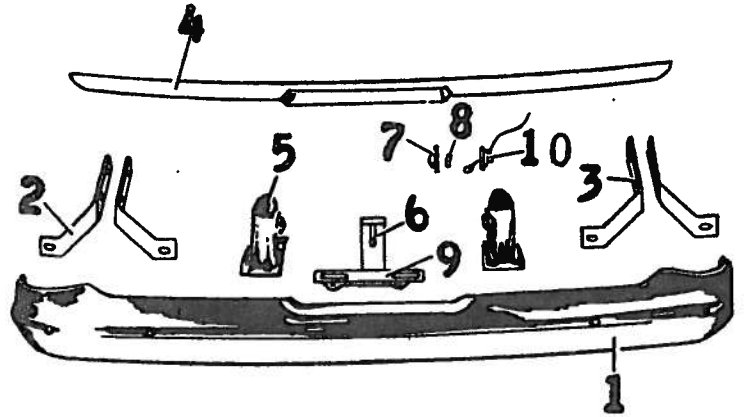
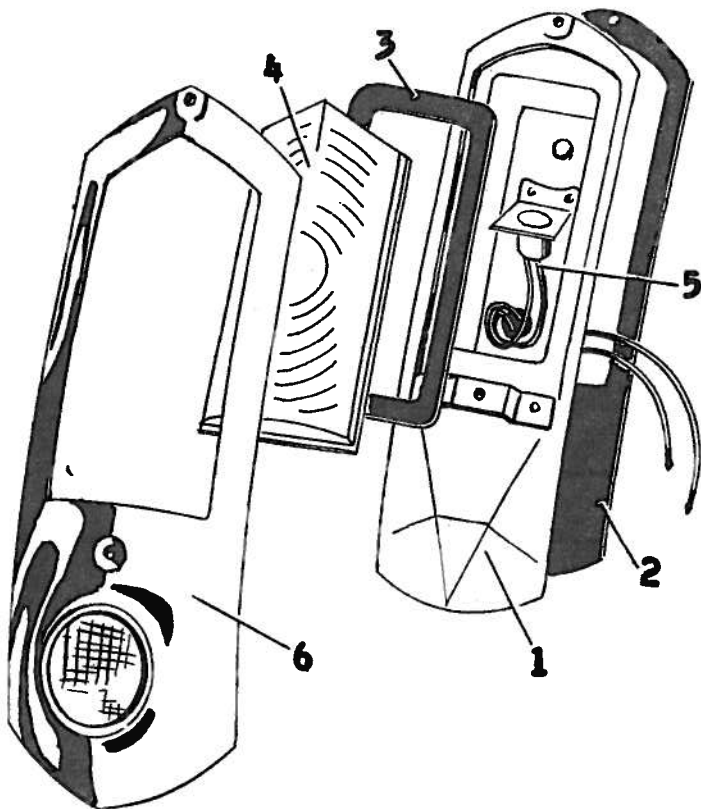
CONVERTIBLE TOP CONVERTIBLE AND HOLIDAY COUPE

Item	Part No.	Description	Price
1	4149784	Solenoid	3.45
2	4162686	Motor and pump, 1948	43.50
2	4165785	Motor only, 1949	27.50
3	4558379	Reservoir	4.00
4	4149731	Valve assy.	6.90
5	4557917	Knob assy., 1948	2.80
5	4568489	Knob assy., 1949	1.60
6	4559029	Cylinder assy.	12.50
7	4559030	Yoke assy.	1.00
8	4554330	Slat iron rear bow	7.00
9	4554328	Rear bow	11.00
10	4554333	Bow, No. 1	18.00
11	4554375	Slat iron	3.75
12	4554373	Auxiliary bow, front	6.50
13	4554344	Side roof rail, front	13.00
14	4562307	Rail assy., front	28.50
15	4554370	Auxiliary link, front	3.85
16	4554364	Control link, assy.	12.00
17	4554351	Rear roof rail	28.00



STOP AND TAIL LAMPS

Item	Part No.	Description	Price
	927449	Stop and tail lamp, 1948	8.25
	927657	Stop and tail lamp, 1949	6.25
1	5937278	Body, 1948	3.60
1	5938802	Body	3.00
2	534179	Gasket, 1948	.25
2	557342	Gasket, 1949	.25
3	5937287	Lens gasket	.30
4	5937266	Lens, 1948	.65
	554125	Brkt., up.	.15
	554126	Brkt., low.	.15
	557343	Brkt., up., 1949	.25
	557344	Brkt., low., 1949	.20
5	5937270	Socket	.90
6	5937571	Bezel, 1948	3.30
6	5938804	Bezel, 1949	1.95



REAR BUMPER

Item	Part No.	Description	Price	Item	Part No.	Description	Price
1	419826	Face bar	28.00	7	927471	Lic. lamp assy.	6.35
2	535047	Bar, out.	1.50	7	5937449	Cover, 1949	1.50
3	555045	Inner, L.	1.50	8	5937450	Glass, 1948	.30
4	554190	Deflector	1.75	9	5937439	Lic. brkt.	2.00
5	419845	Guard	5.00	10	5937443	Socket and wiring	1.65
6	5937238	Lic. brkt. clamp	.30				

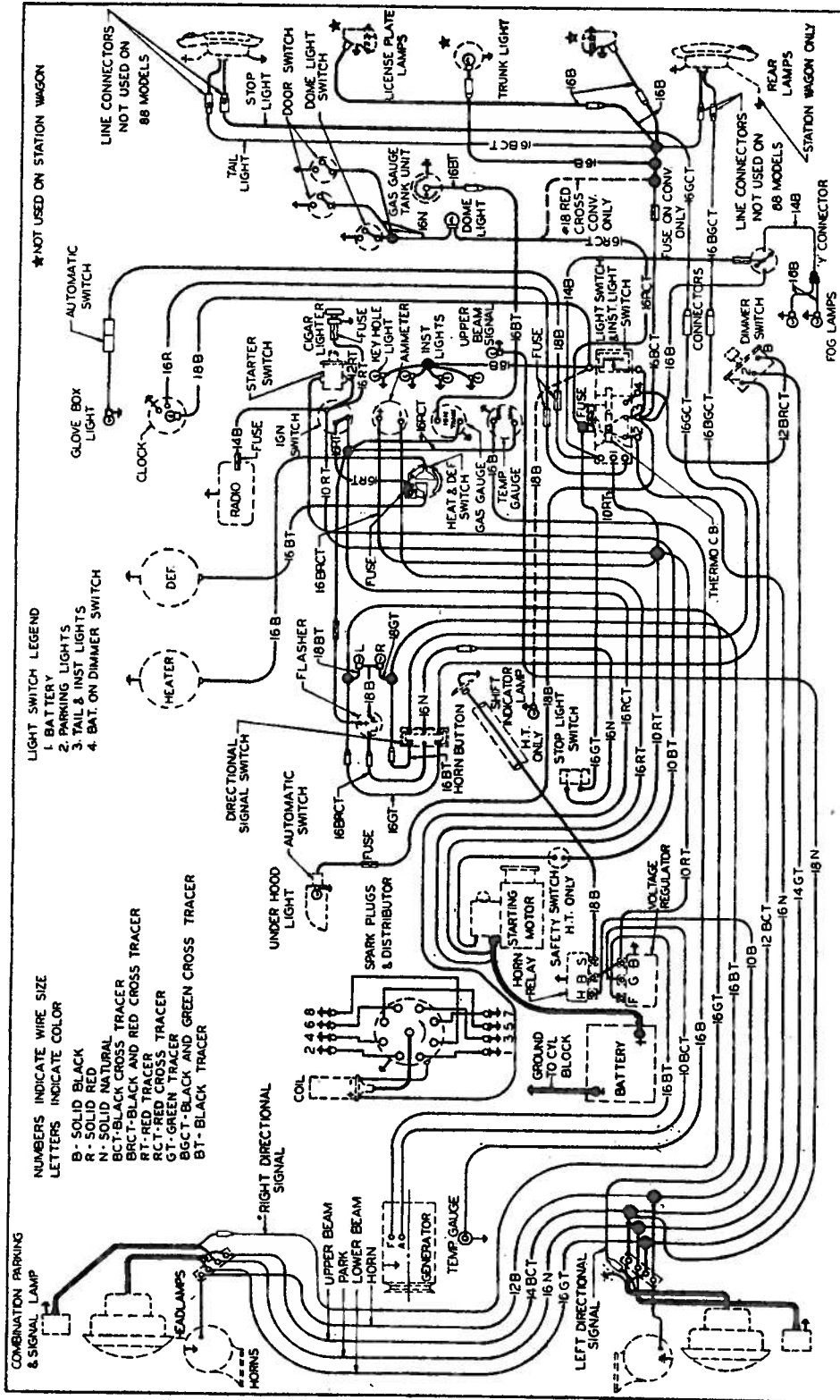
WINDSHIELD CONVERTIBLE AND HOLIDAY COUPE

Not illustrated

Item	Part No.	Description	Price
1	4563791	Mldg., up.	3.75
2	4563793	Mldg., low.	4.75
3	4563886	Side mldg.	1.75
4	4557334	Pillar mldg.	4.00
5	4557512	Glass	20.25
6	4557479	W/strip with bmpr.	14.00
7	4558282	Escutcheon, up.	3.00

WIRING 1948 and 1949 OLDSMOBILE

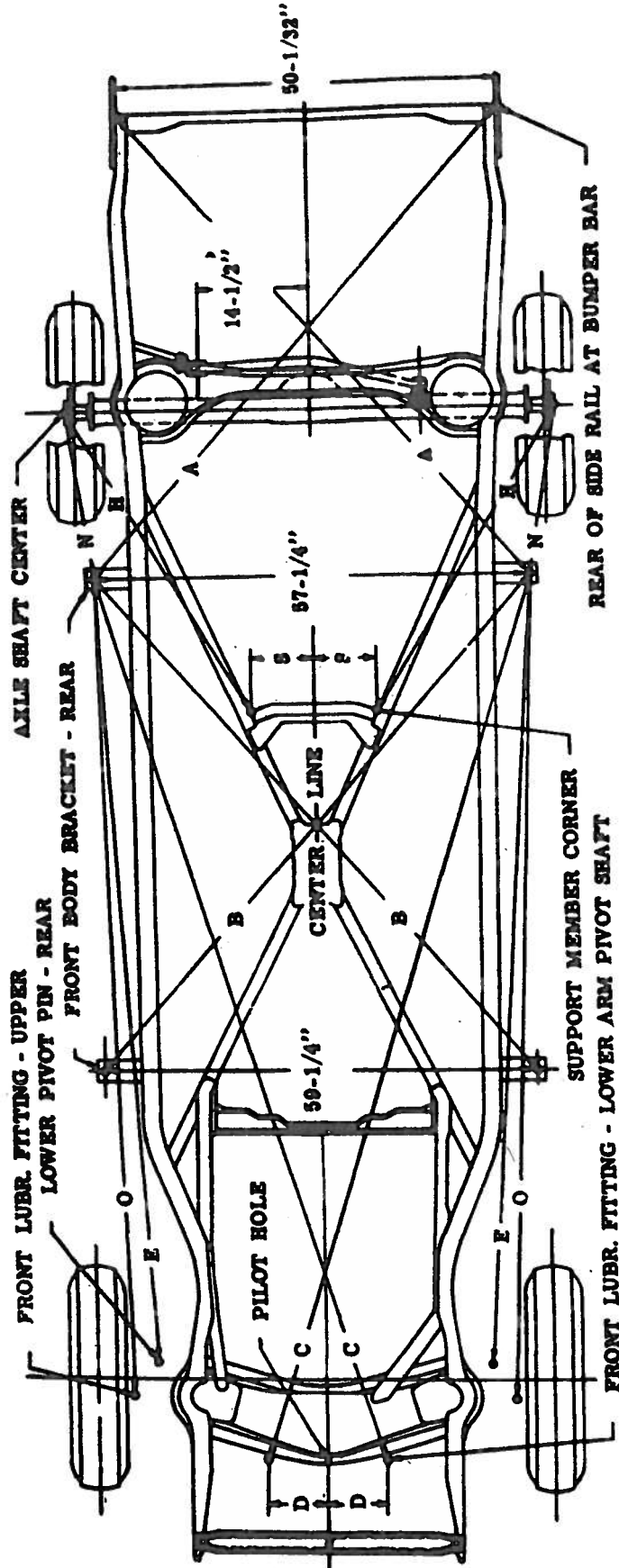
Series 98. ALL BODY STYLES



Wiring Diagram—Series 98

OLDSMOBILE 1948 and 1949 FRAME

Series 98. ALL BODY STYLES



Frame Dimensions—Series—98

FLAT RATE 1948 and 1949 OLDSMOBILE

Series 98. ALL BODY STYLES

Chilton Job No.	Chilton Labor Price	Chilton Job No.	Chilton Labor Price	Chilton Job No.	Chilton Labor Price	Chilton Job No.	Chilton Labor Price	Chilton Job No.	Chilton Labor Price	Chilton Job No.	Chilton Labor Price	Chilton Job No.	Chilton Labor Price	Chilton Job No.	Chilton Labor Price	Chilton Job No.	Chilton Labor Price	Chilton Job No.	Chilton Labor Price
A		A—continued		A—continued		B—continued		C—continued		D		E—continued		E—continued		F—continued		G	
1.....	4.00	6.....	20.00	20.....	6.50	9.....	4.50	3.....	28.00	1.....	4.00	2.....	28.00	12.....	12.00	2.....	20.00	1.....	120.00
1a.....	3.80	7.....	3.00	20x.....	10.00	10.....	4.50	4.....	2.00	1a.....	3.50	3.....	26.00	13.....	28.00	3.....	28.00	2.....	28.00
2.....	2.50	8.....	2.50			11.....	4.50	5.....	4.00	2.....	2.50	4.....	26.00	14.....	120.00	4.....	2.00	3.....	28.00
3.....	6.50	9.....	5.25	B		12.....	4.00	6.....	4.50	3.....	6.50	5.....	32.00	15.....	105.00	5.....	5.00	4.....	32.00
4.....	18.50	10.....		1.....	4.00	13.....	3.00	7.....	2.00	4.....	12.00	6.....	30.00	16.....	60.00	6.....	7.00	5.....	18.00
4a.....		11.....	3.00	1a.....	7.50	14.....	3.00	8.....	3.75	7.....	16.00	7.....	16.00	17.....	60.00	7.....	2.00	6.....	75.00
4b.....	1.00	12.....	5.75	2.....	20.00	15.....	1.25	9.....	4.50	7x.....		8.....	70.00	18.....	20.00	8.....	3.75	7.....	40.00
4c.....	8.00	13.....	3.00	3.....	26.00			10.....	4.50	8.....	12.00	9.....	80.00	19.....	12.00	9.....	4.00	8.....	45.00
5.....	12.75	14.....	3.50	4.....	2.00	C		11.....	4.00	9x.....		10.....	75.00			10.....	4.50	9.....	40.00
5a.....	4.00	15.....	1.00	5.....	3.75	1.....	4.00	12.....	4.00	8y.....		11.....	40.00	F		11.....	5.00	10.....	45.00
5b.....	4.00	16.....	4.50	6.....	4.50	1a.....	7.00	13.....	3.00	10.....	40.00	12.....	4.00	1.....	4.00	12.....	4.00	11.....	12.00
5c.....	4.00	17.....	1.00	7.....	2.00	2.....	20.00	14.....	1.25	11.....	45.00	13.....		1a.....	6.50	13.....		12.....	12.00
5d.....	6.00	18.....	10.00	8.....	3.75			15.....		1.....	120.00	14.....				14.....	3.00	13.....	12.00

STEERING GEOMETRY

CASTER: Zero to 3/4 degree negative.

CAMBER: 1/4 degree negative to 3/4 degree positive.

TOE-IN: 1/16 to 1/8 inches.

KING PIN INCLINATION: Four degree fifty-one minutes ten seconds.

ADJUSTMENTS

CASTER is controlled by full turns of the upper eccentric pin.

CAMBER is controlled by eccentric upper pin and full range is obtained in one-half turn.

TOE-IN: Should be adjusted at both tie rod sleeves.

