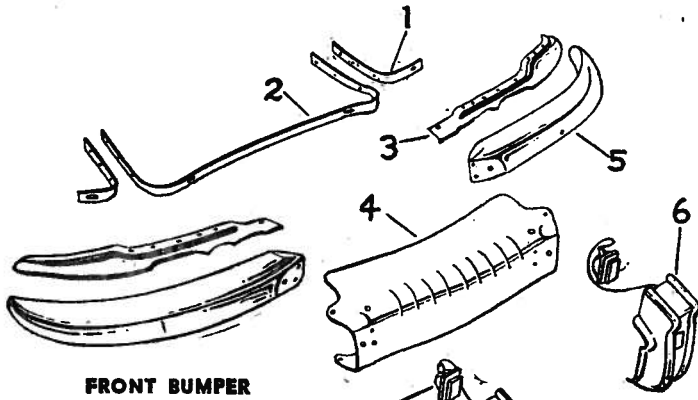


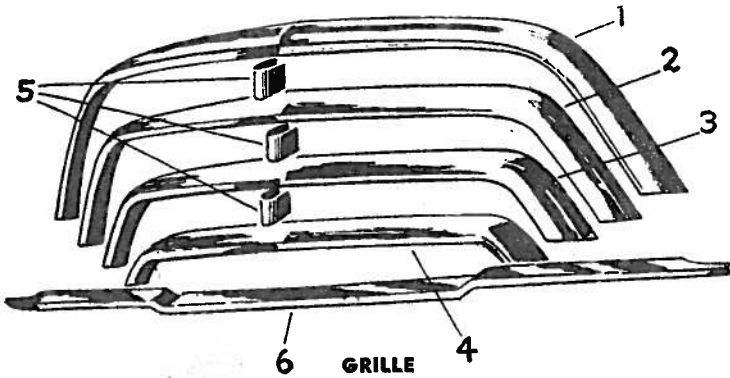
OLDSMOBILE 1946 to 1948 BODY PARTS

Series 66, 68. ALL BODY STYLES



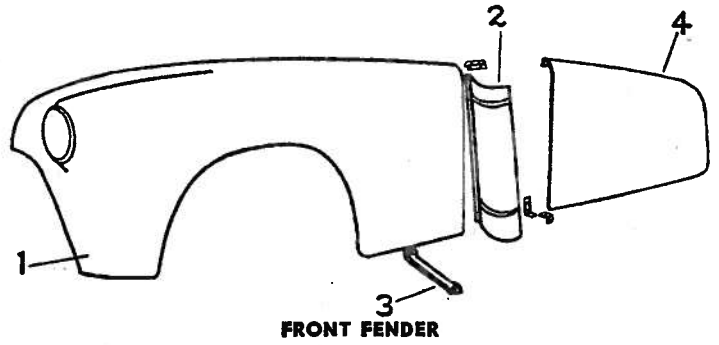
FRONT BUMPER

Item	Part No.	Description	Price
1	418669	Attaching bar, out.	1.55
2	419599	Attaching, in.	1.75
3	418575	Deflector	1.50
4	418698	Front, center	15.00
5	418815	Left front bar	15.00
6	9700001	Guard, left	7.25
7	911303	Parking lamp assy.	3.80



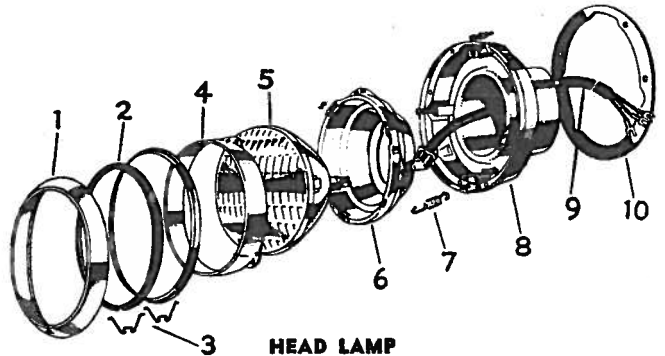
GRILLE

Item	Part No.	Description	Price
	418665	Grille assy.	63.25
1	418537	Bar, No. 1, up. (1946-47-48)	17.60
2	555273	Bar, No. 2 (1946-47-48)	12.30
3	555274	Bar, No. 3 (1946-47-48)	10.80
4	555275	Bar, No. 4 (1946-47-48)	10.00
	418542	Bar, grille tie	.40
5	418543	Block, center	1.25
6	418541	Base, chrome, 1946-47	15.40
	6 555266	Base, painted, 1948.	3.50



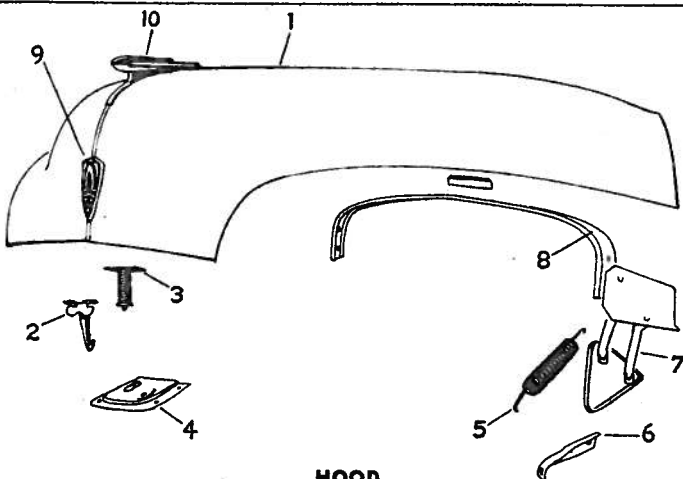
FRONT FENDER

Item	Part No.	Description	Price
1	418951	Front fender	32.50
1	554983	Front fender	32.50
2	417503	Extension plate	.60
3	416881	Fender brkt.	.34
4	418921	Fender door cap	7.11



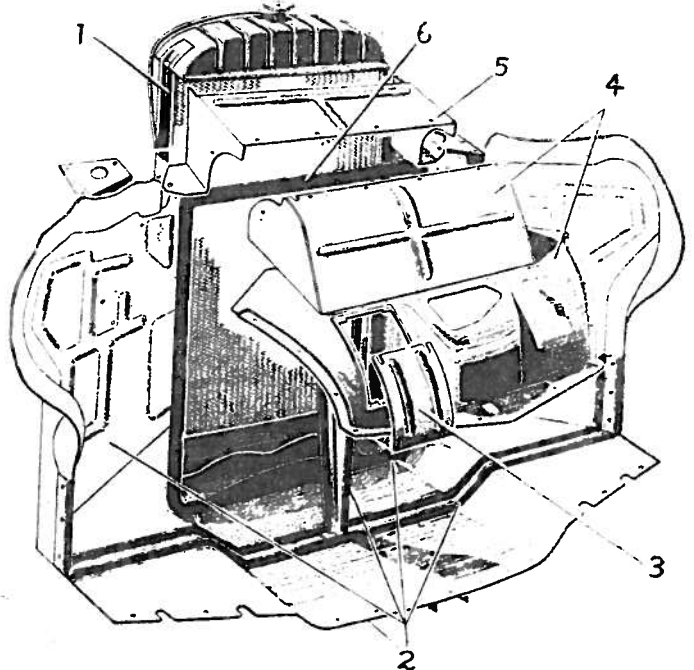
HEAD LAMP

Item	Part No.	Description	Price
	925268	Headlamp assy.	13.85
1	924565	Rim	2.00
2	5930594	Retainer	.20
3	924568	Spring retainer	.05
4	924534	Ring	1.10
5	925000	Sealed beam	1.25
6	924535	Sub-body	.60
7	5931749	Spring	.05
8	5931832	Housing	3.30
9	5933176	Wiring	1.10
10	413994	Gasket	.25



HOOD

Item	Part No.	Description	Price
1	418970	Hood panel, 1946-47	29.00
1	554980	Hood panel, 1948	29.90
2	418875	Safety hook	.65
3	418864	Latch assy., up.	1.25
4	418649	Latch, low.	1.30
5	418940	Spring, hood hinge.	.60
6	419275	Brkt.	.40
7	419203	Hinge assy.	3.75
8	419095	Support	1.60
9	418554	Emblem, front, 1946-47	2.00
9	554896	Emblem, all 1948	1.90
10	418733	Ornament, less strip, 1946-47	5.65
10	555088	Ornament, less strip, 1948	5.85

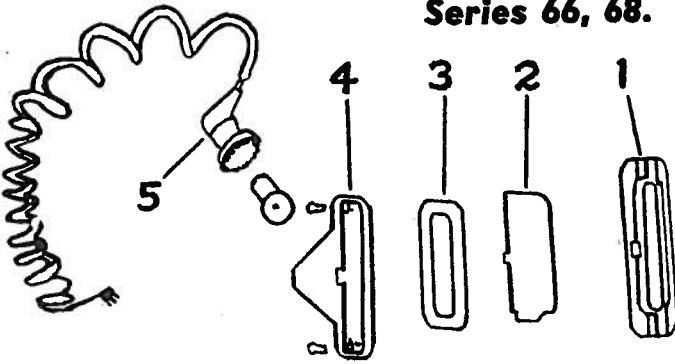


RAD. CORE AND AIR SCOOPS

Item	Part No.	Description	Price
1	3118376	Rad. core assy. (6)	60.60
1	3116089	Rad. core assy. (8)	70.20
2	418702	Sup., rad. core	18.80
3	418648	Cover, up. baffle	.40
4	418717	Up. baffle	4.10
5	418739	Extension, up. baffle	1.00
6	416791	Support bar	.40
	555107	Shroud, rad. fan, ser. 68, 1948	2.85

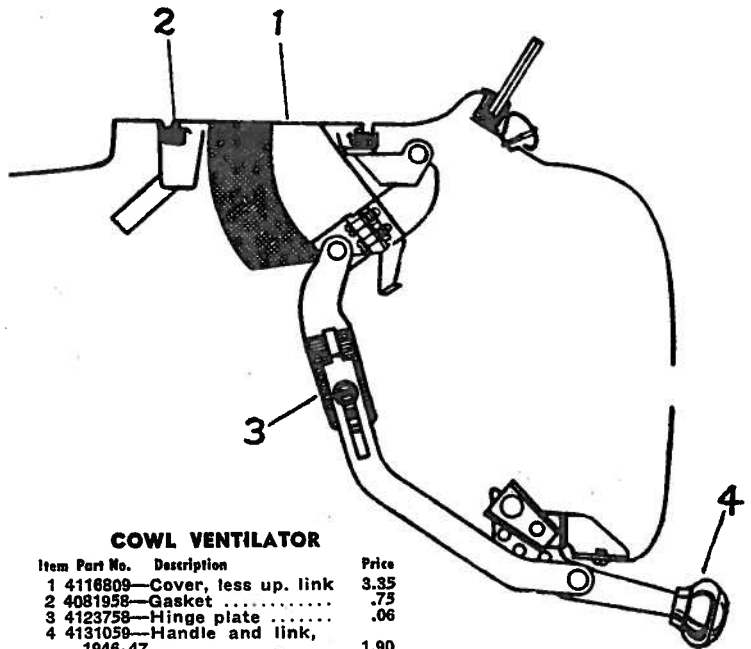
BODY PARTS 1946 to 1948 OLDSMOBILE

Series 66, 68. ALL BODY STYLES



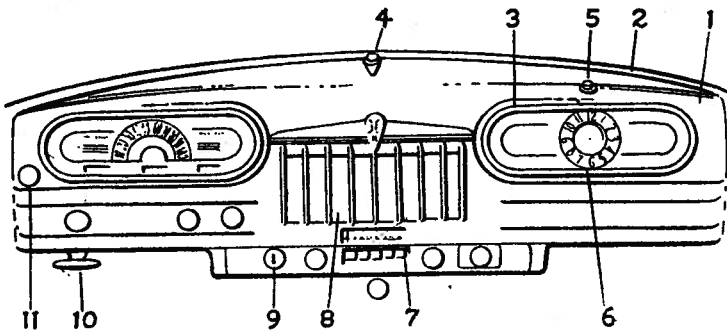
PARKING LAMP

Item Part No.	Description	Price
917303	Parking lamp assy., L.S.	3.80
1 5935920	Rim	.75
2 5935923	Lens	1.10
3 5935921	Gasket	.15
4 5935922	Body	.45
5 5935925	Socket wiring	1.20
5 5936194	Socket wiring	1.25



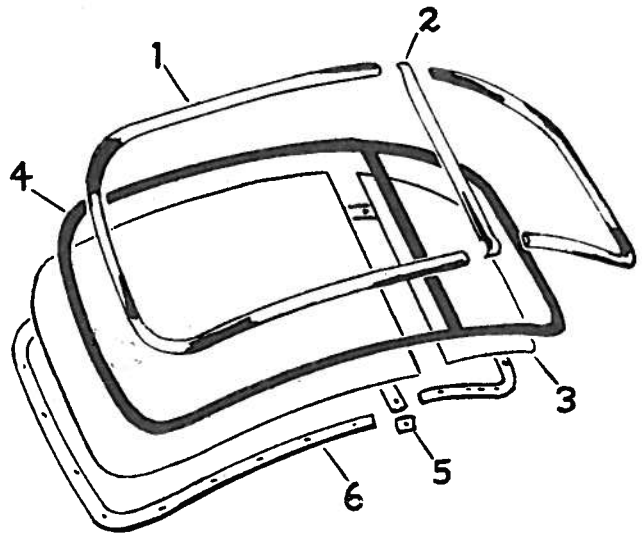
COWL VENTILATOR

Item Part No.	Description	Price
1 4116809	Cover, less up. link	3.35
2 4081958	Gasket	.75
3 4123758	Hinge plate	.06
4 4131058	Handle and link, 1946-47	1.90
4 4163049	Handle and link, 1948	2.50



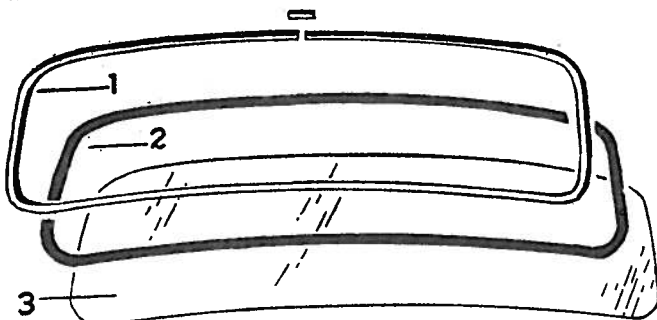
INSTRUMENT PANEL

Item Part No.	Description	Price	Item Part No.	Description	Price
1 4147945	Inst. panel	12.65	6 416854	Electric clock, 1946-47	10.00
2 4148804	Panel	5.95	6 55204	Electric clock, 1948	15.00
3 4146828	Door, special, 1946-47	11.35	7 418957	Radio panel	1.75
3 4146940	Door, grained, 1946-48	5.20	8 418887	Grille	22.85
3 4163091	Door, deluxe, 1948	12.75	9 1116353	Switch, 1946-47	2.50
4 4146927	Wiper control, 1946-47	1.75	9 1116458	Switch, 1948	1.75
4 4162581	Wiper control, 1948	1.75	9 601255	Lock switch, 1946-47	.65
5 4114257	Lock assy.	1.75	10 419009	Hood control	3.30
6 4146828	Clock, deluxe, 1946-47	11.35	11 418913	Light switch knob (48-48)	1.25
			11 55150	Light switch knob (48-conv.)	1.65



WINDSHIELD CLUB COUPE

Item Part No.	Description	Price
1 4114444	Reveal midg., left.	1.75
2 4114948	Division midg., outer	1.15
3 4115809	Safety glass	11.25
4 4122594	Rubber channel	4.50
5 4147632	Clip	.17
6 4147649	Garnish midg.	3.60



BACK WINDOW

4 DOOR SEDAN			2 DOOR SEDANS		
Item Part No.	Description	Price	Item Part No.	Description	Price
1 4125671	Reveal midg.	2.75	1 4125922	Reveal midg.	2.75
2 4125388	Rubber channel	2.75	2 4125388	Rubber channel	2.75
3 4116683	Back glass	11.50	3 4125275	Back glass	13.95

CLUB COUPE

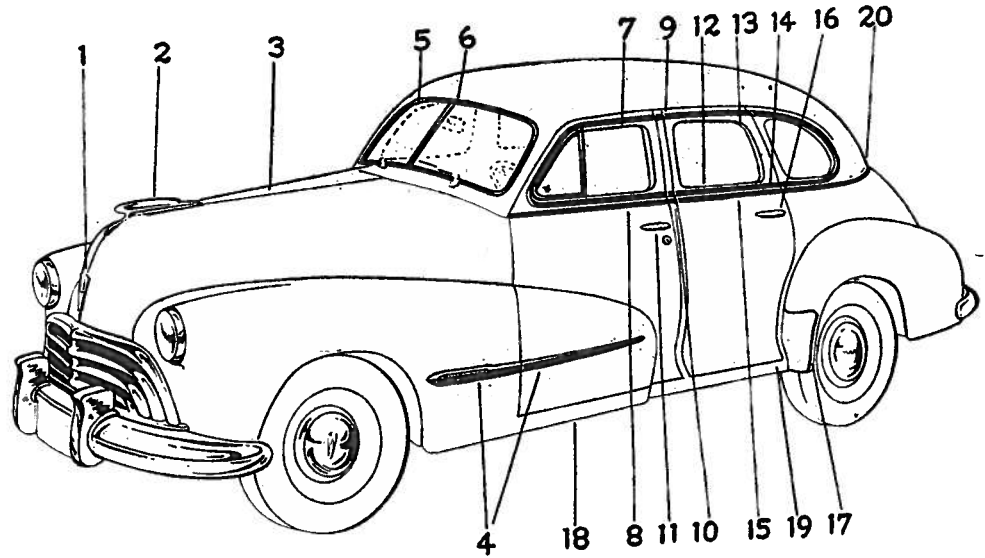
Item Part No.	Description	Price
1 4125671	Reveal midg.	2.75
2 4125388	Rubber channel	2.75
3 4116683	Back glass	11.50
4117576	Conv. coupe glass	4.20

4 DOOR TYPE		
Item Part No.	Description	Price
1 4114444	Reveal midg., left.	1.75
2 4114948	Division midg., outer	1.15
3 4115809	Safety glass	11.25
4 4122594	Rubber channel	4.50
5 4147632	Clip	.17
6 4147649	Garnish midg.	3.60

2 DOOR TYPE		
Item Part No.	Description	Price
1 4114444	Reveal midg., left.	1.75
2 4114948	Division midg., outer	1.15
3 4115809	Safety glass	11.25
4 4125418	Rubber channel	4.50
5 4147632	Clip	.17
6 4147649	Garnish midg.	3.60

OLDSMOBILE 1946 to 1948 BODY PARTS

Series 66, 68. ALL BODY STYLES



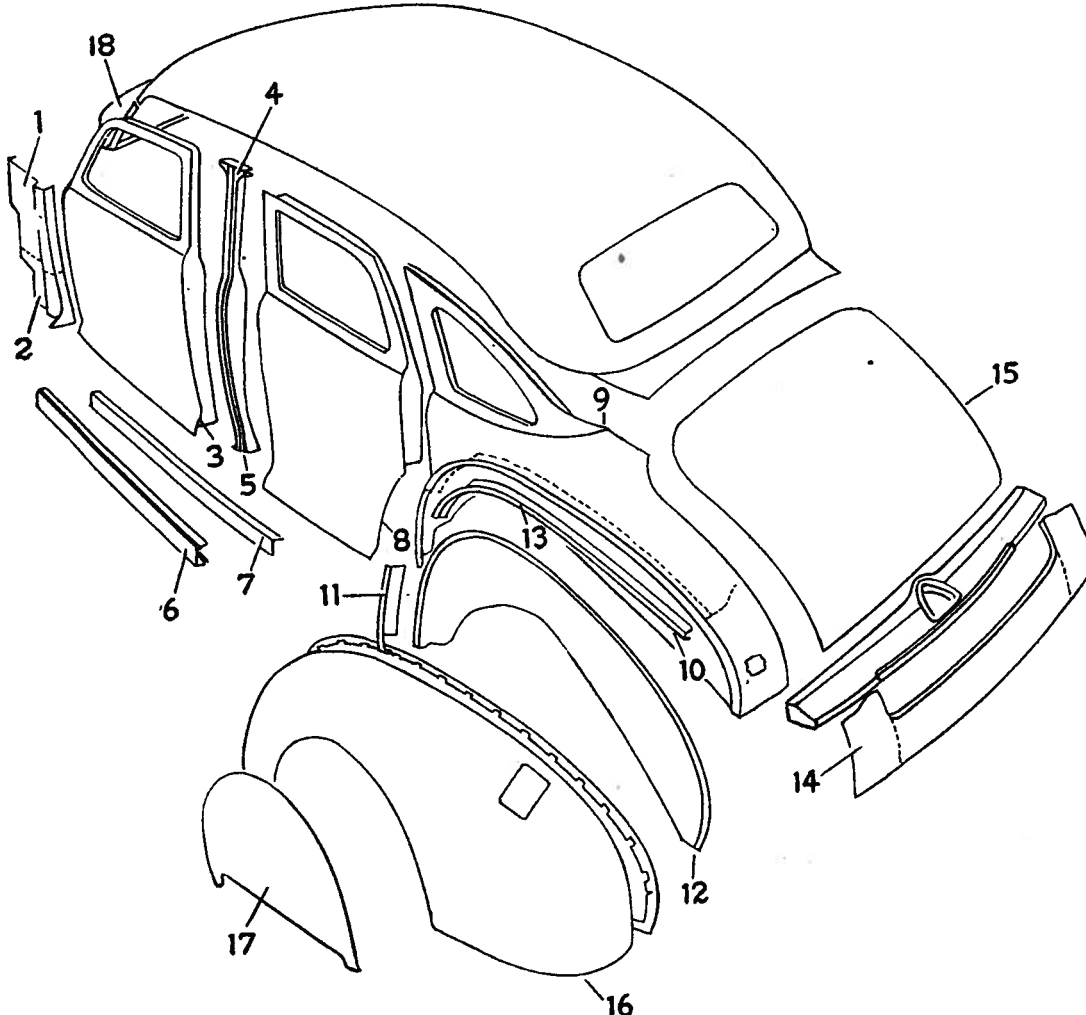
BODY MOULDING 4 DOOR MODELS

Item	Part No.	Description	Price
1	418554	Emblem	2.00
1	554886	Emblem	1.90
2	555088	Ornament	5.85
3	418915	Hood midg., chrome	1.25
4	419011	Front fender midg., 1946	3.45
4	554870	Front fender midg., 1948	3.80
4	419693	Front fender midg., 1947	4.00
4	418989	Fender cap midg., 1946-47	4.15
4	554871	Fender cap, 1948	4.35
5	411444	Windshld. reveal midg.	2.50
6	411498	Windshield div. midg.	1.15
7	4114331	Front window reveal midg.	2.30
8	4162502	Front door midg.	1.85
8	4125983	Front door midg.	1.00
9	4114358	Center pillar midg.	.35
10	4125966	Center pillar midg., 1946-47—Ser. 66	.35
10	4162492	Center pillar midg., 1948—Ser. 66	.35
11	4125989	Front door handle, plain	2.30
12	4114353	Rear door window midg.	.80
13	4114355	Rear door midg.	.90
14	4125988	Rear door belt midg., upper	.80

Item	Part No.	Description	Price
15	4162506	Midg. L. crease	1.65
16	4125989	Rear door handle	2.30
17	418919	Rear fender shield	2.85
17	555079	Rear fender shield	4.75

Item	Part No.	Description	Price
18	554879	Rocker panel midg., front	3.55
19	554881	Rocker panel midg., rear	2.65
	555313	Clip	.05

Item	Part No.	Description	Price
20	4125976	Rear quarter panel midg.	1.41
20	4125726	Rear quarter panel midg.	.61
20	4162512	Left crease	2.41



BODY SHEET METAL 4 DOOR MODELS

Item	Part No.	Description	Price
1	4147978	Cowl, up.	6.91
2	4550589	Cowl, low.	1.81
3	4144068	Front door panel	11.51
4	418921	Door cap	7.11
4	4148109	Ctr. pillar	14.01
5	4550580	Pillar, low.	2.61
6	4148937	Rocker panel, out.	4.41
7	4132451	Rocker panel, in.	3.41
8	4144335	Rear door panel	13.21
9	4148085	Qtr. panel, up.	35.01
10	4147080	Panel, low. rear	1.41
10	4162701	Panel, low. rear	2.21
11	4550682	Qtr. panel, low. lock	3.21
12	4550668	Whhouse. panel	7.51
13	4550602	Fender attaching panel	8.51
14	4114699	Rear end panel, 1946-47	6.91
14	4162711	Rear end panel, 1948	9.01
15	4161720	Rear deck lid, ser. 66	27.51
16	418983	Fender with door, L., 1946-47	14.95
18	419061	Fender, L., sta. wag., 1946-48	14.95
16	554975	Fender, L., 1948	14.95
17	416389	Fender panel	9.21
18	4114513	Roof panel	43.51

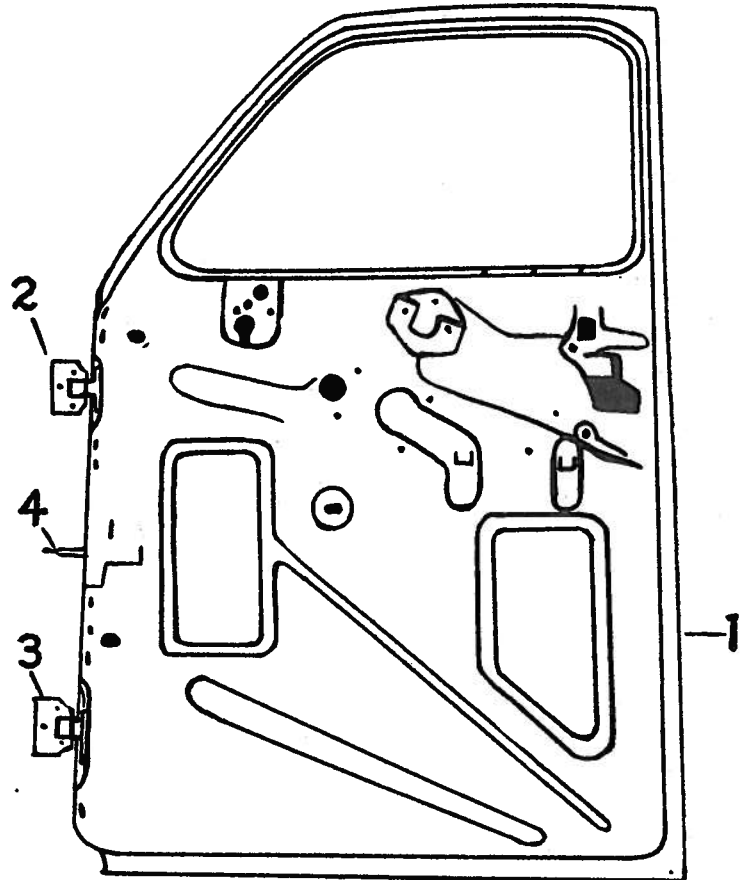
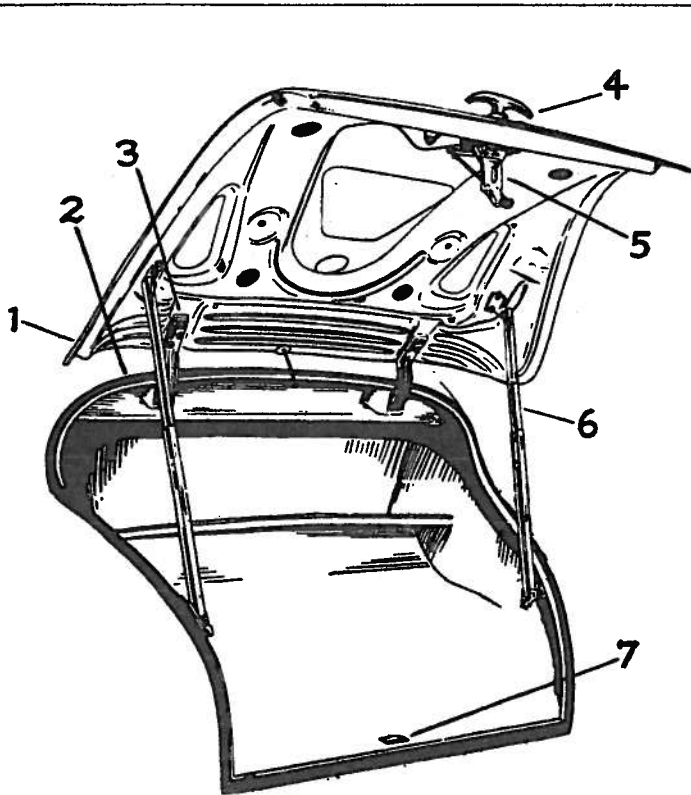
BODY PARTS 1946 to 1948 OLDSMOBILE

Series 66, 68. ALL BODY STYLES

FRONT DOOR ASSEMBLY

4 DOOR

Item Part No.	Description	Price	Item Part No.	Description	Price
1	4144112—Door Assy.	34.80	4147582	Locking knob, 1948	.12
418921	Door cap	7.15	9	4113800—Lock Assy.	4.25
2	4125228—Hinge, upper	2.75	10	4115805—Glass	6.10
3	4125273—Hinge, lower	2.75	11	4114225—Vent assembly	10.95
4	4162047—Link door check	.40	12	4099412—Regulator	2.65
4	4132612—Link door check	.28	13	4147364—Channel	3.85
5	4114327—Regulator	3.65	14	4115803—Glass	3.35
6	4073827—Cam	.30	15	4133004—Remote control	.85
6	4099974—Cam	.85	16	4033996—Control link	.28
4125527	—W/strip, bottom	1.75	17	4091127—Door lock handle, inside	.90
4143070	—W/strip, bottom	1.30	18	4147610—Division channel	3.15
7	4131392—W/strip top and sides	1.15	18	4147610—Division channel	3.15
8	4102013—Channel lower sash	.80	19	4351545—Regulator handle, 1948	1.30
	4147582—Locking knob, 1946-47	.12			



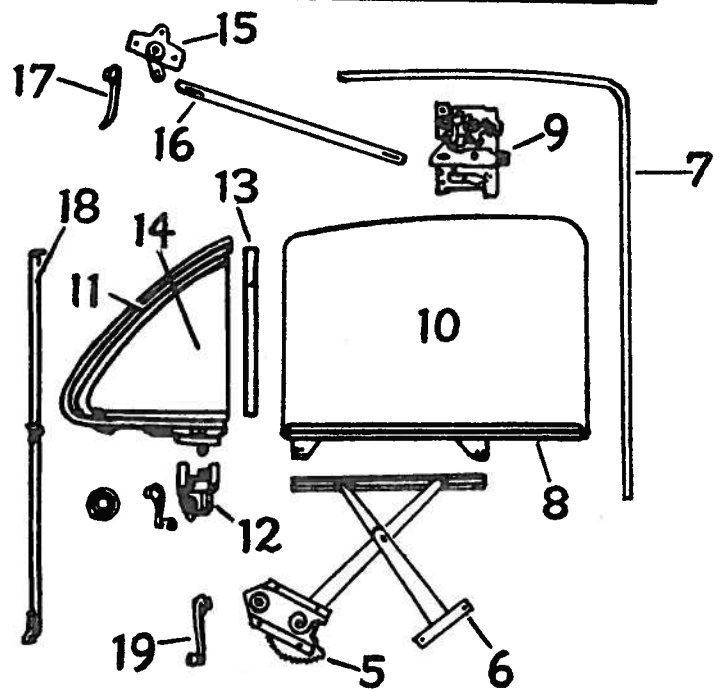
DECK LID

4 DOOR SEDAN

Item Part No.	Description	Price
1	4147950—Deck lid, 1946	22.00
1	4161720—Deck lid, 1947-48	24.50
2	4131734—W/strip, 1946-47	2.30
2	4162613—W/strip, 1948	3.40
2	4162616—W/strip, lower, 1948	.95
3	4120734—Hinge box	1.75
3	4120735—Hinge strap	1.65
4	4115924—Locking handle, 1946-47	2.20
4	4162693—Handle, less cyl., 1948	3.00
4	4114877—Handle Assy., 1946-47	4.05
4	4162692—Handle Assy., 1948	5.50
5	4129651—Lock Assy.	2.60
6	4114964—Lid support	1.75
7	4113816—Lock striker	.30

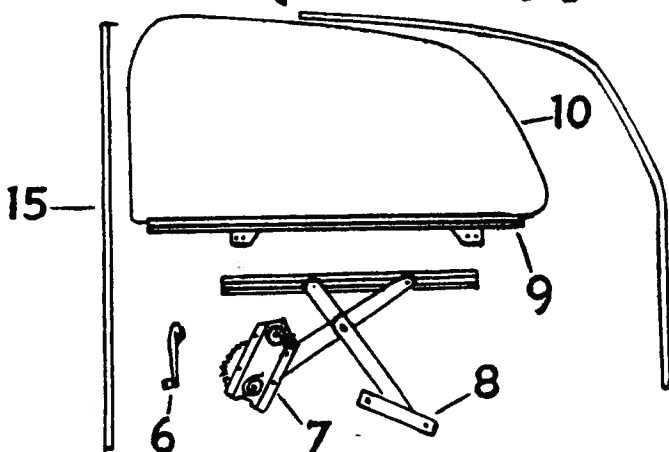
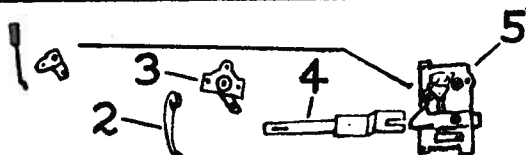
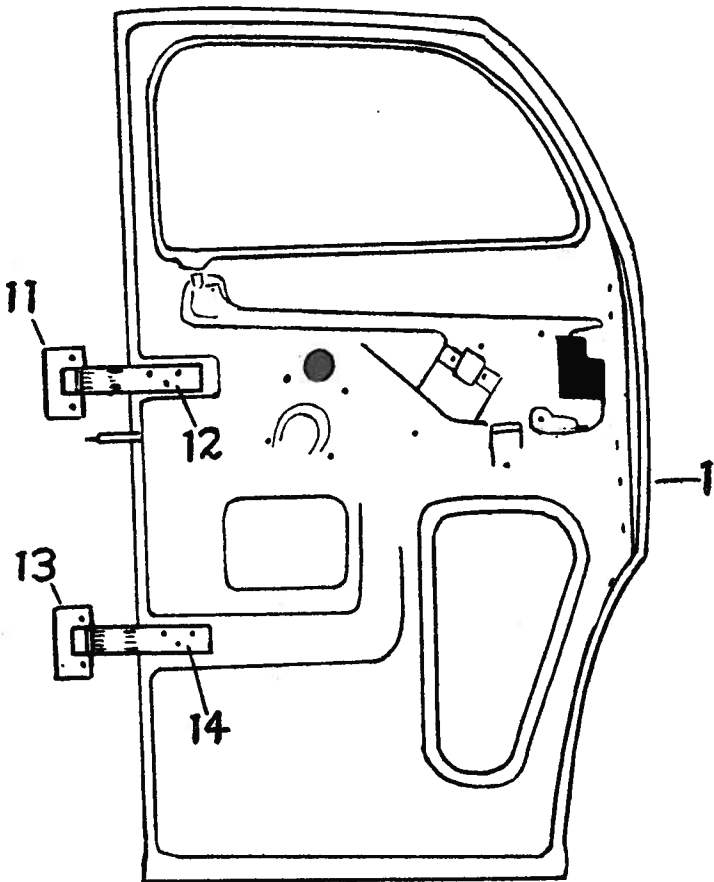
2 DOOR SEDAN

Item Part No.	Description	Price
1	4147951—Deck lid, 1946	26.00
1	4161757—Deck lid, 1946-48	26.00
2	4125998—W/strip, upper and sides	4.60
2	4132274—W/strip, lower	1.45
3	4133033—Hinge box	1.75
3	4131402—Hinge strap	1.75
4	4115924—Locking handle, 1946-47	2.20
4	4162693—Handle, less cyl., 1948	3.00
4	4114877—Handle Assy., 1946-47	4.05
4	4162692—Handle Assy., 1948	5.50
5	4129651—Lock Assy.	2.60
6	4131287—Lid support	3.40
7	4131037—Lock striker	.40



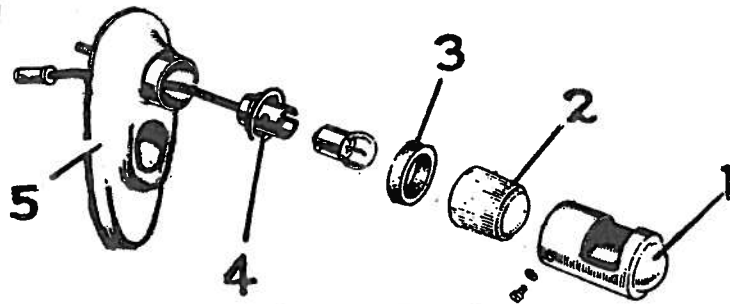
OLDSMOBILE 1946 to 1948 BODY PARTS

Series 66, 68. ALL BODY STYLES



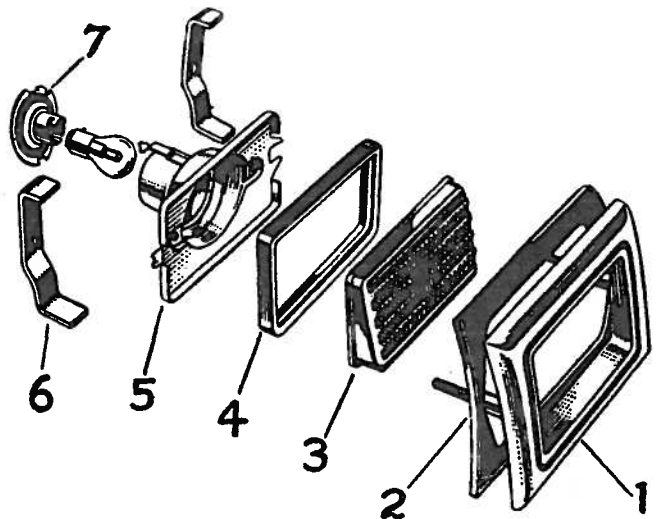
REAR DOOR ASSEMBLY 4 DOOR

Item Part No.	Description	Price	Item Part No.	Description	Price
1 4144114	Door assembly	33.75	7 4110673	Regulator assy.	3.80
4162506	Rear door midg., 1948	1.85	4147690	Garnish mldg.	7.95
2 4091127	Handle, inside	.90	8 4099974	Cam track	.35
3 4133004	Remote control	.85	9 4113135	Lower channel	.70
4 4131418	Control link	.30	10 4115830	Glass	8.95
5 4123852	Lock assy	3.95	11 4114481	Hinge box, upper	1.65
6 4351545	Regulator handle	1.30	12 4117059	Hinge strap, upper	1.35
4125989	Outside handle	2.30	13 4118498	Hinge box, lower	1.15
			14 4099759	Hinge strap, lower	1.35
			15 4075477	Channel glass run	1.95



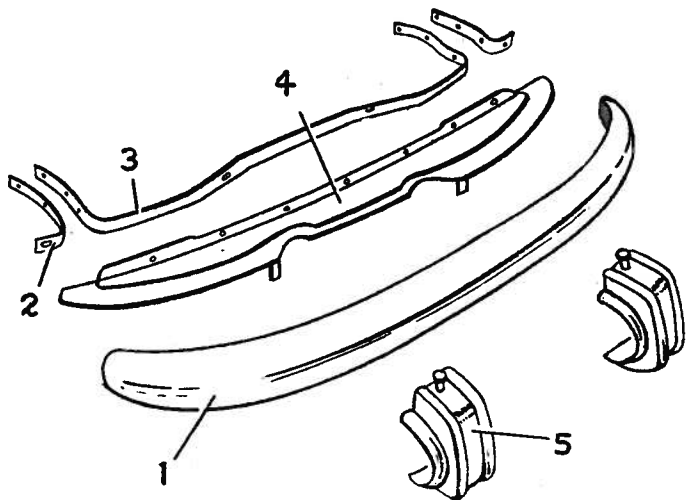
REAR LICENSE LAMP

Item Part No.	Description	Price	Item Part No.	Description	Price
927207	Lic. lamp assy.	4.75	3 923079	Gasket	.0
1 922041	Cover	.85	4 5932952	Base	2.2
2 922042	Glass	.15	5 5931692	Socket wiring	.3



STOP LAMP

Item Part No.	Description	Price	Item Part No.	Description	Price
927227	Stop lamp, 1946-47..	5.10	3 5933111	Lens, 1947	.3
927351	Lamp, 1948	9.30	3 5937491	Lens, 1948	.6
1 5933196	Body, 1946-47	2.55	4 5933109	Gasket	.1
1 5937481	Body, 1948	3.85	5 5933194	Retainer	.9
2 417335	Gasket, cps., 1946-47	.30	6 417538	Clamp	.1
2 418165	Gasket, 4 D.	.40	7 5932955	Socket	.3
2 418167	Gasket, town sed..	.35	5289039	Plug and wire	.5



REAR BUMPER

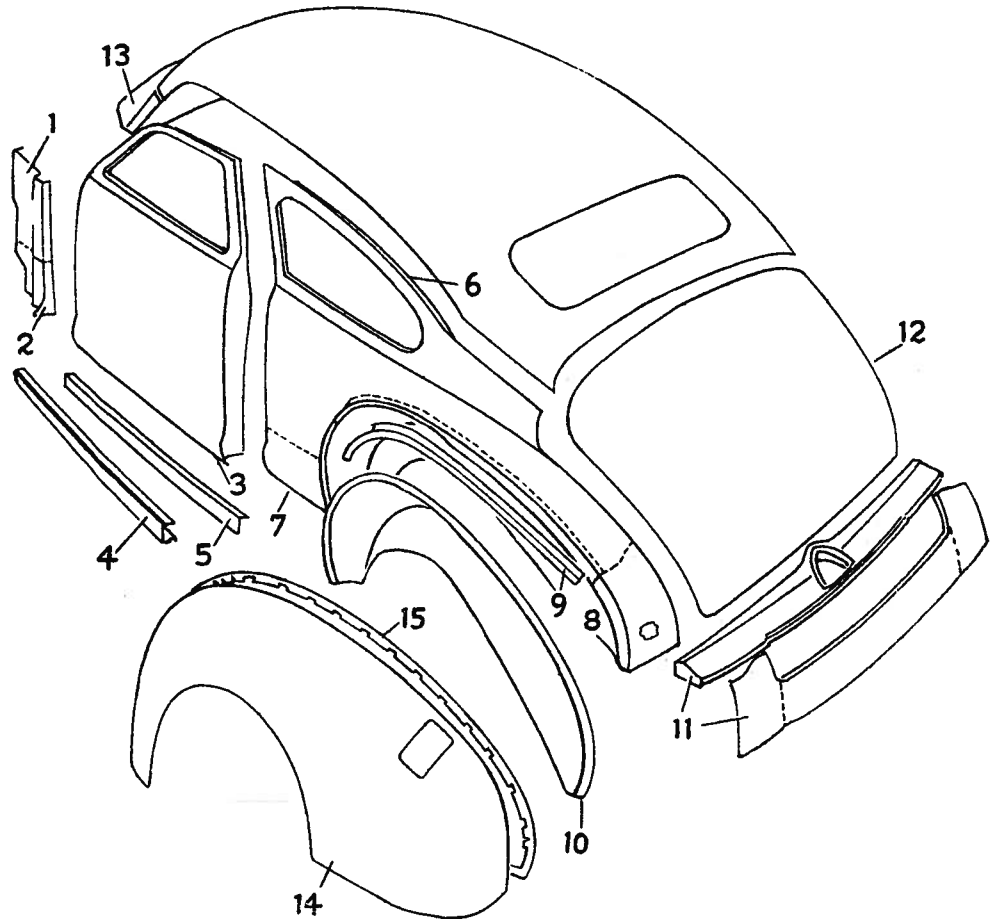
Item Part No.	Description	Price	Item Part No.	Description	Price
1 419034	Face bar	22.00	3 419040	Center, 1946-47	4.3
2 419039	Bar, out.	1.95	4 419041	Deflector, 1946-48	3.1
3 554695	Inner, 1948	2.00	5 419165	Guard	6.5

BODY PARTS 1946 to 1948 OLDSMOBILE

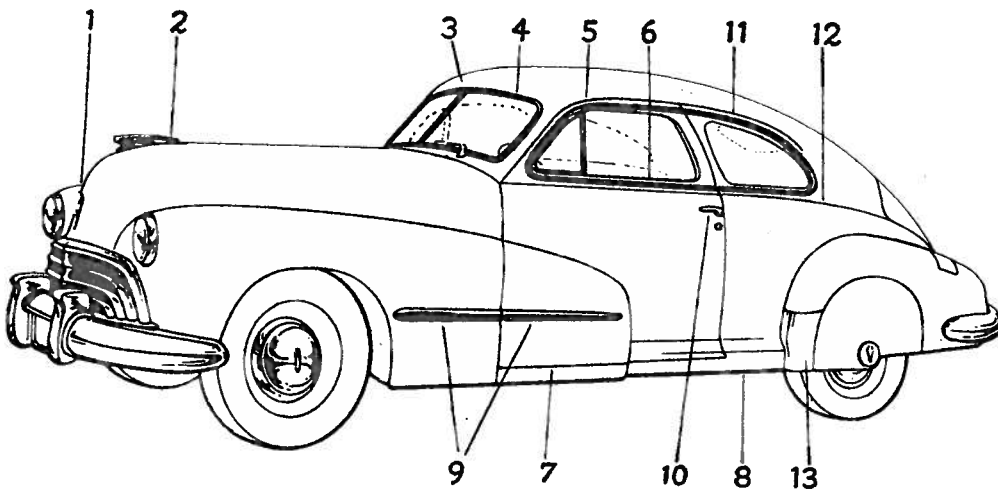
Series 66, 68. ALL BODY STYLES

BODY SHEET METAL 2 DOOR SEDAN

Item	Part No.	Description	Price
	4147988	Cowl assembly	95.00
1	4147978	Panel, cowl side	6.90
2	4550589	Panel, lower section	1.80
3	4144072	Door panel	14.40
4	4148937	Rocker panel, outer	4.45
5	4132451	Panel, inner	3.45
6	4148089	Quarter panel	44.50
7	4550593	Panel, lower front	3.75
8	4147288	Panel, lower, rear	1.45
8	4162703	Panel, lower, rear	3.60
9	4550591	Fender attaching panel	8.50
0	4550668	Panel, wheelhouse sec.	7.50
	416389	Fender panel	9.25
1	4114699	Rear end pan., 1946-47	6.90
1	4132395	End pan., 1946-47	6.90
1	4162710	End pan., 1948	9.00
2	4161757	Rear compartment lid	26.00
3	4132440	Roof panel	43.50
4	4148085	Rear fender panel	25.35
5	412463	Anti squeak	



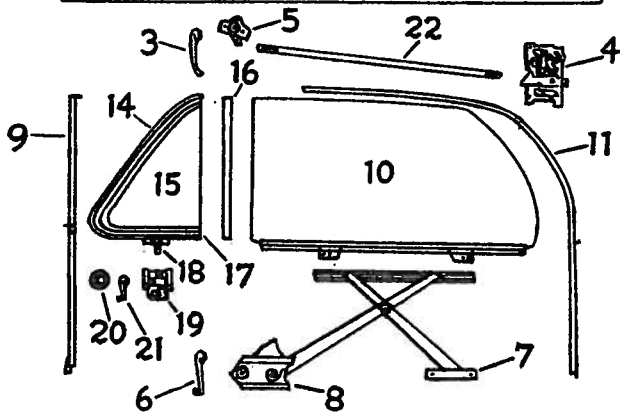
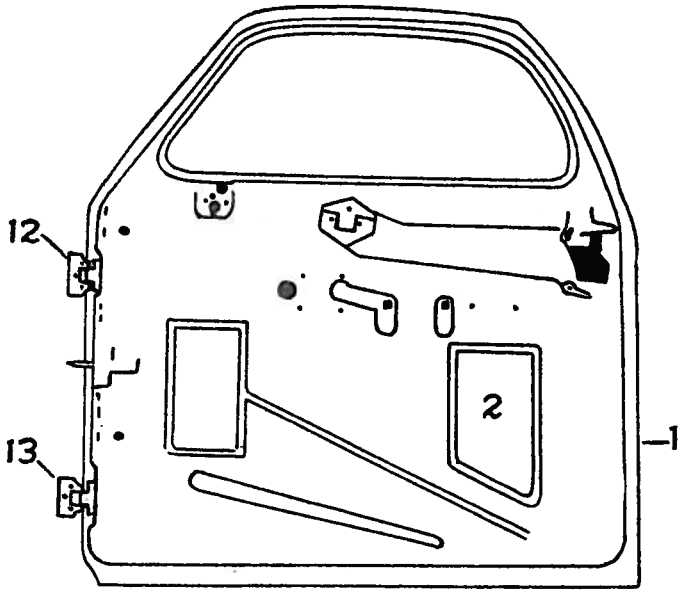
BODY MOLDING 2 DOOR SEDAN



Item	Part No.	Description	Price
1	418554	Emblem	2.00
1	554896	Emblem	1.90
2	418733	Ornament, hood, ctr	5.65
2	555088	Ornament, hood	5.85
3	4114948	W/shield division mldg.	1.15
3	4125921	W/shield division mldg.	1.15
4	4125887	W/shield reveal. mldg.	2.50
5	4125711	Front window reveal	6.35
6	4125982	Front door belt mldg.	1.15
6	4162498	Door crease mldg.	2.00
7	554879	Rocker panel mldg., front	3.55
8	554881	Rocker mldg., rear	2.65
9	419011	Fender mldg., 1946	3.45
9	419893	Fender mldg., 1947	4.00
9	554870	Fender mldg., 1948	3.80
9	418999	Fender cap mldg., 1946-47	4.15
9	554871	Fender cap mldg., 1948	4.55
10	4125989	Door handle	2.30
11	4125713	Quarter window mldg.	4.90
12	4125986	Rear quarter belt mldg.	1.75
12	4162522	Rear quarter crease mldg.	2.30
13	418918	Fender shield	2.85
13	555079	Fender shield	4.79

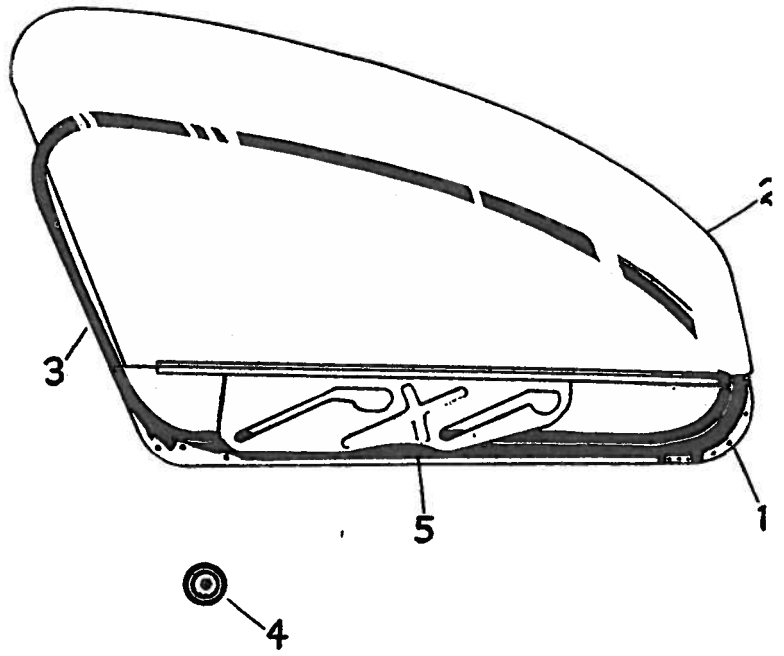
OLDSMOBILE 1946 to 1948 BODY PARTS

Series 66, 68. ALL BODY STYLES



DOOR ASSEMBLY 2 DOOR TYPE

Item Part No.	Description	Price	Item Part No.	Description	Price
1	4144098—Door assembly.....	41.75	12	4125228—Hinge assy., upper	2.75
	418921—Door cap.....	7.15	13	4125273—Hinge assy., lower.	2.75
2	4144072—Panel, outer.....	14.40	14	4125705—Vent assy.....	10.95
3	4091127—Handle, inside.....	.90	15	4125272—Glass.....	3.35
	4147684—Window garnish		16	4147800—Channel chrome...	3.85
	midg.....	7.15		4128368—Lock.....	.60
4	4113800—Lock assy.....	4.25	17	4134792—W/strip.....	1.10
5	4133004—Remote control.....	.85	18	4117560—Tee shaft.....	.60
6	4551545—Window regulator		19	4099412—Regulator.....	2.65
	handle.....	1.30		4078002—Spring.....	.06
7	4099974—Cam track.....	.35	20	4132059—Escutcheon,	
8	4125878—Window regulator.....	4.10		1946-47.....	.95
9	4147614—Division channel...	3.15	21	4551546—Vent handle.....	1.30
10	4125241—Door, glass.....	9.10	22	4033996—Control link.....	.28
11	4075477—Glass run, upper...	1.95			



REAR QUARTER WINDOW 2 DOOR MODELS

Item Part No.	Description	Price
1	4147732—Reveal midg.....	6.80
2	4125274—Glass.....	9.95
3	4102157—W/strip.....	.85
4	4114159—Regulator.....	3.80
	4551545—Regulator handle...	.90
5	4125718—Channel, low. sash	.90

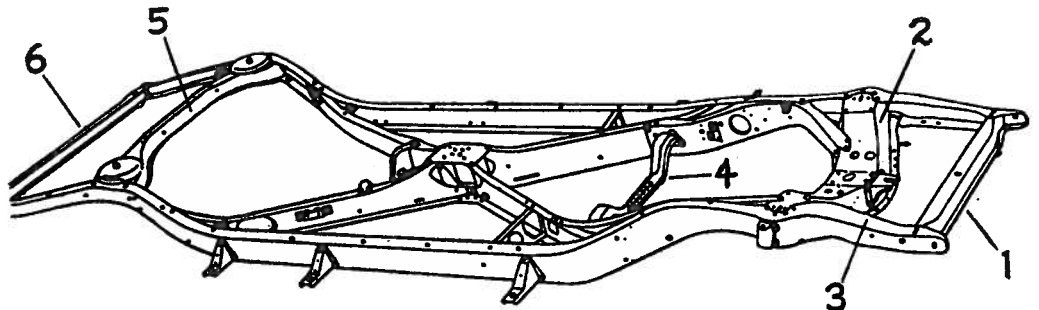
REAR BUMPER STATION WAGON 1946-49

Not illustrated

Item Part No.	Description	Price
419059	Bar, out, 1946-47, sta. wag.....	2.30
554901	Bar, out, 1948, sta. wag.....	3.25
419058	Center, 1946-47.....	5.35
554900	Center, 1948.....	3.75
419271	Deflector, 1946-47.....	2.40
554903	Deflector, 1948.....	2.40
556384	Deflector, 1949, 76, 88.....	2.55
556223	Guard, 1949.....	4.50

FRAME ASSEMBLY

Item Part No.	Description	Price
416397	Frame assembly....	80.00
416495	Frame assy. (conv.).....	94.90
1	417707—Frame rad. support	1.90
2	417708—Front cross member	12.65
3	417711—Rad brckt.....	.45
4	414785—Second cross mem, S. T.....	1.90
4	418705—Second cross member, H. T.....	2.90
5	417749—Third cross member	7.50
6	417731—Rear cross member	2.90

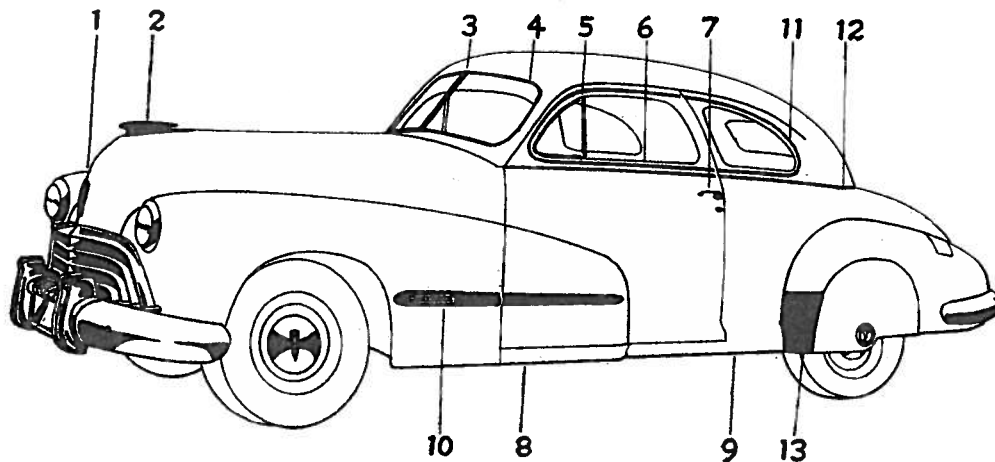
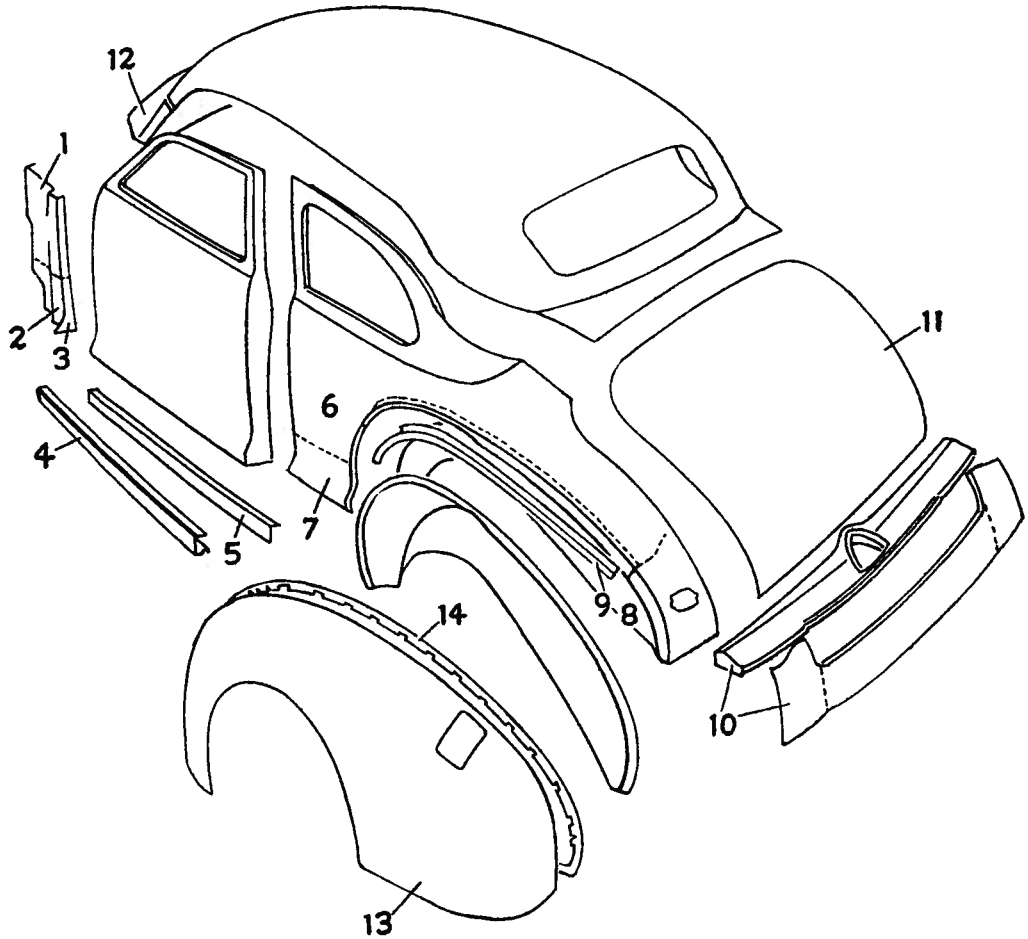


BODY PARTS 1946 to 1948 OLDSMOBILE

Series 66, 68. ALL BODY STYLES

BODY SHEET METAL CLUB COUPE

Item	Part No.	Description	Price
	4147985	Cowl assembly....	95.00
1	4147978	Side panel.....	6.90
2	4550589	Lower panel.....	1.80
3	4144078	Door panel, left....	14.40
4	4148901	Rocker panel, outer.....	4.50
5	4132451	Rocker, inner.....	3.45
6	4148081	Rear quarter panel	39.75
7	4550593	Panel, lower front.	3.75
8	4147292	Lower rear corner.	1.45
9	4550591	Fender attaching section.....	8.50
10	4114699	Rear end pan....	6.90
11	4161740	Deck lid.....	24.50
11	4161740	Rear deck lid.....	24.50
12	4114515	Roof panel.....	35.50
13	4148081	Fender panel assy.	30.15
14	412463	Anti squeak.....

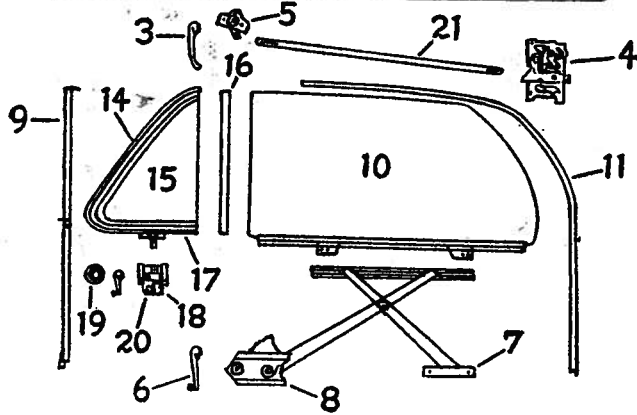
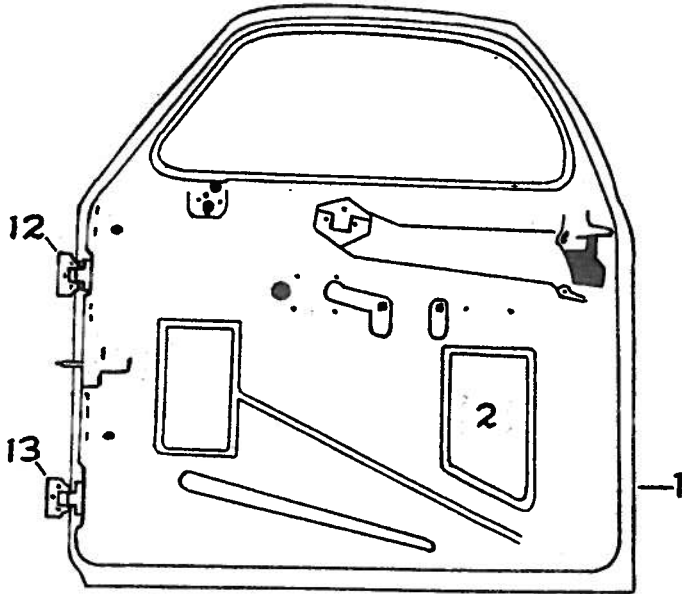


BODY MOLDING COUPE

Item	Part No.	Description	Price
1	418554	Hood emblem, 1946-47.....	2.00
2	418733	Ornament, hood, etc., 1946-47.....	5.65
2	555088	Ornament, hood, etc., 1948.....	5.85
3	4114948	W/shield div., outer.....	1.15
4	4114444	W/shield reveal..	2.50
5	4114349	Door reveal midg..	2.60
5	4125961	Door belt midg....	1.15
6	4162500	Door midg. crease	2.00
7	4125989	Door handle, plain	2.30
8	554879	Rocker midg., front	3.55
9	554881	Rocker midg., rear	2.65
10	419011	Front fender midg., Ser. 66, 1946.....	3.45
10	419693	Fender midg., 1947..	4.00
10	554870	Fender, side midg., 1948.....	3.80
11	4114360	Quarter window reveal.....	2.20
12	4125974	Rear quarter belt midg.....	1.45
12	4162516	Rear quarter crease	2.30
13	555079	Fender shield.....	4.75

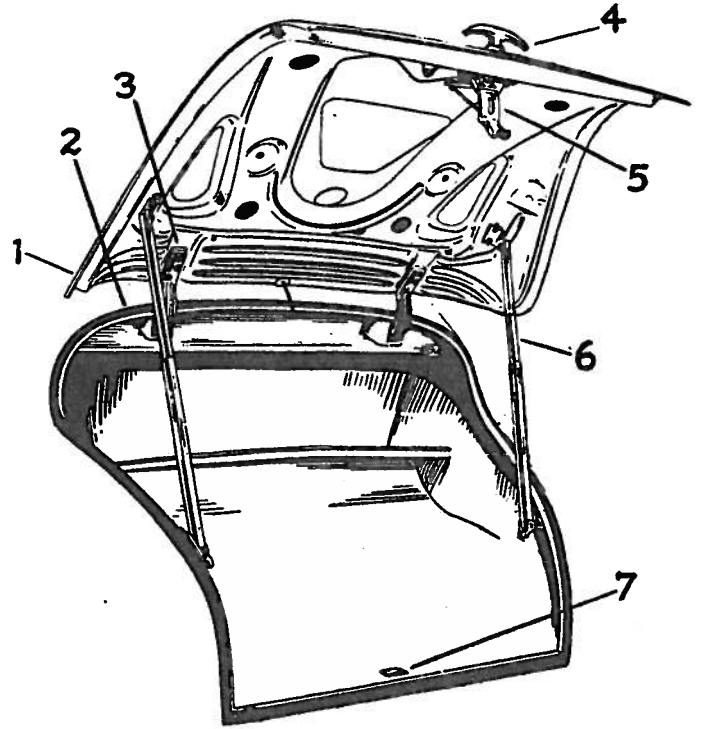
OLDSMOBILE 1946 to 1948 BODY PARTS

Series 66, 68. ALL BODY STYLES



**DOOR ASSEMBLY
COUPE BODIES**

Item Part No.	Description	Price	Item Part No.	Description	Price
1	4144104—Door assembly.....	41.15	11	4075477—Glass run, upper..	1.95
2	4144078—Panel, outer.....	14.40	12	4125228—Hinge assy., upper	2.75
3	4091127—Handle, inside.....	.90	13	4125273—Hinge assy., lower.	2.75
4	4147686—Window garnish, mldg.	7.10	14	4114225—Vent assembly.....	10.95
5	4113800—Lock assy.	4.25	15	4115803—Glass	3.35
6	4133004—Remote control.....	.85	16	4147564—Channel, chrome..	3.85
7	4551545—Window regulator handle	1.30	17	4128368—Lock	.60
8	4099974—Cam track	.35	18	4117558—W/strip	1.10
9	4125878—Window regulator.	4.10	19	4099412—Regulator	2.65
10	4147610—Division channel...	3.15	20	4078002—Spring	.06
			21	4132059—Escutcheon	.95
				4551546—Vent handle.....	1.30
				4033996—Control link.....	.28

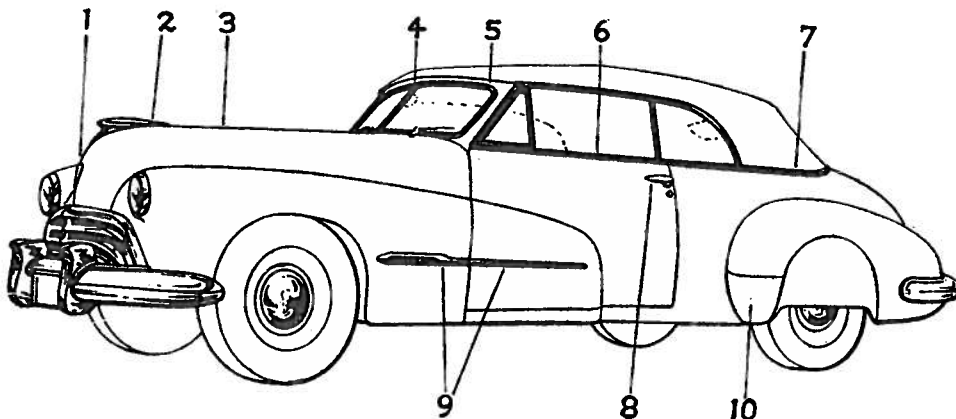


**DECK LID
COUPES**

Item Part No.	Description	Price
1	4147952—Deck Lid, 1946.....	23.15
1	4181740—Deck Lid, 1947-48..	24.50
2	4131754—W/strip, 1946-47 ..	2.30
2	4162615—W/strip, 1948	3.40
2	4162616—W/strip, low., 1948	.95
3	4101843—Hinge, exposed type	2.35
4	4115924—Locking handle, 1946-47	2.20
4	4162693—Hndl., less cyl., 1948	3.00
4	4114877—Hndl. assy., 1946-47	4.05
4	4162692—Hndl. assy., 1948...	5.50
5	4129651—Lock assy.	2.60
6	4114965—Lid support	1.55
7	4113816—Lock striker30

**BODY MOLDING
CONVERTIBLE**

Item Part No.	Description	Price
1	Emblem, 1946-47.....	2.00
1	554896—Emblem, 1948.....	1.90
2	418733—Ornament.....	3.65
2	418552—Mldg., hood, front, upper, 1946-4720
3	418915—Mldg., rear, chrome	1.25
3	418960—Mldg., front, upper, 1946-4723
4	4114948—Windshield division mldg.	1.15
5	414444—W/shield reveal mldg.	2.50
6	4125961—Door belt mldg....	1.15
6	4162494—Door belt mldg....	1.85
7	4125624—Rear quarter belt mldg.	1.45
7	4162318—Rear quarter belt mldg.	2.10
8	4125990—Handle, outside...	2.30
9	554870—Fender, side mldg., 1948	3.80
9	419693—Side mldg., 1947...	4.00
9	419011—Side mldg., 1946...	3.45
9	418999—Side mldg., door cap, 1946-47.....	4.15
9	554871—Side mldg., door cap, 1948	4.45

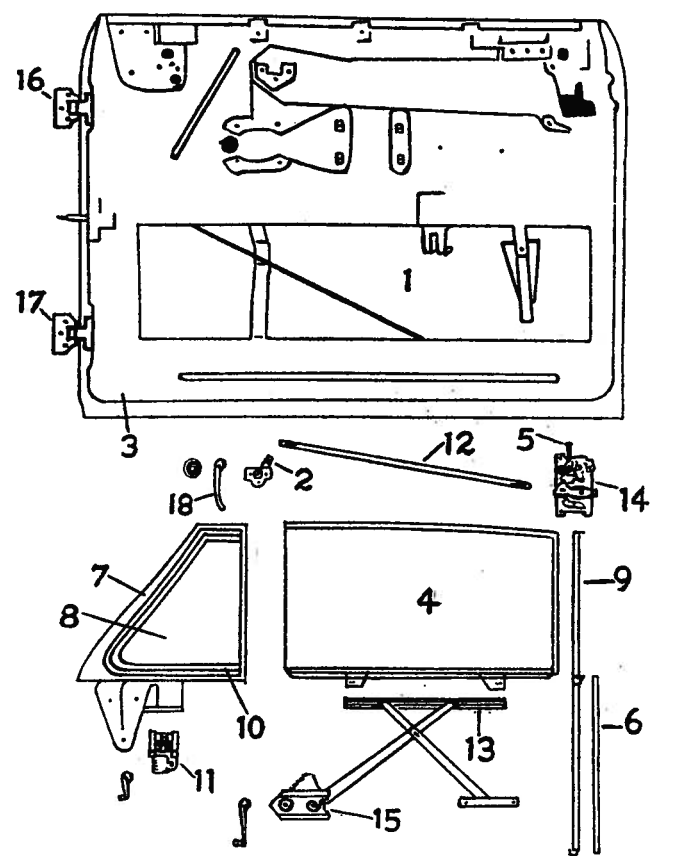
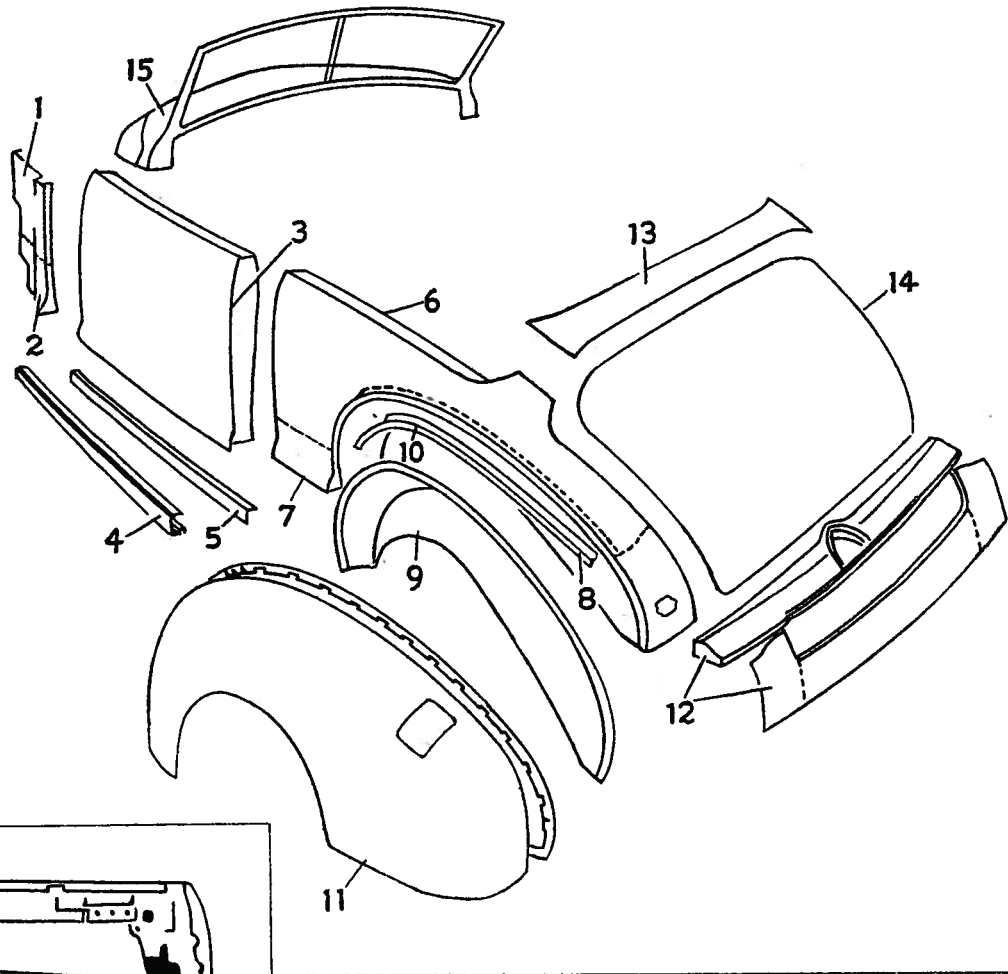


BODY PARTS 1946 to 1948 OLDSMOBILE

Series 66, 68. ALL BODY STYLES

BODY SHEET METAL CONVERTIBLES

Item Part No.	Description	Price
4147987	Cowl assembly.....	95.00
1 4147978	Cowl side panel....	6.90
2 4550589	Panel, lower sec....	1.80
3 4132525	Door panel.....	13.25
418921	Door cap panel.....	7.15
4 4148937	Rocker panel, outer	4.45
5 4132451	Rocker panel, inner	3.45
6 4161000	Rear quarter, panel assy.....	44.50
6 4139787	Quarter panel assy	48.00
7 4550593	Panel, lower front sec.....	3.75
8 4147292	Panel, lower rear rear sec.....	1.45
9 4550668	Wheelhouse panel.	7.50
10 4550591	Fender attaching panel.....	8.50
11 418963	Rear fender, with door.....	14.95
11 554975	Fender.....	14.95
12 4114689	Rear end pan, 1946-47.....	6.90
13 4139787	Panel above deck lid.....	2.30
14 4161740	Deck lid.....	24.50
15 4147987	Dash assembly.....	75.90

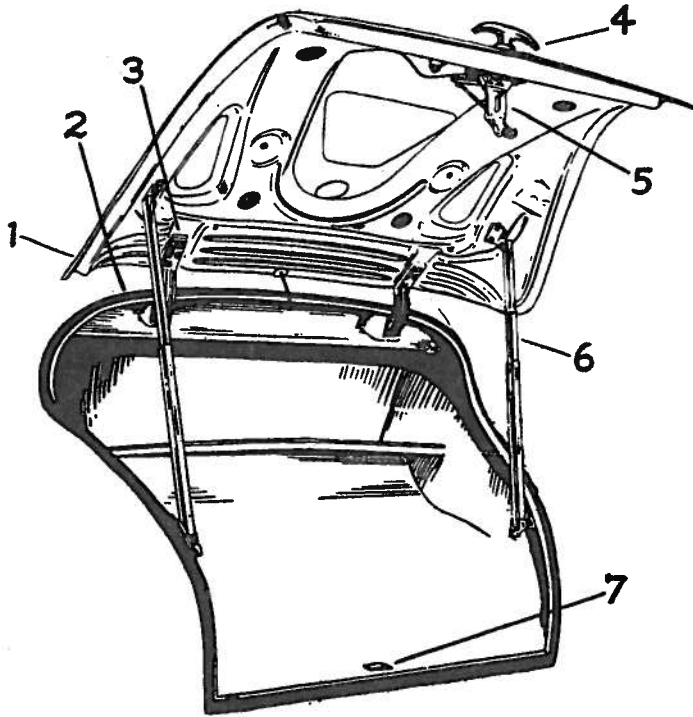


DOOR ASSEMBLY CONVERTIBLE

Item Part No.	Description	Price
1 4137839	Door assembly, less vent.....	43.65
418921	Door cap.....	7.15
4072912	Stiffener bolt.....	.50
2 4133004	Remote control.....	.85
4 4132199	Door glass.....	10.25
5 4147592	Lock knob 1946-47.....	.12
5 4568228	Lock knob, 1948.....	.45
6 4102385	Window guide.....	.60
7 4114613	Ventilator assy.....	37.40
8 4115813	Vent glass.....	3.65
9 4129781	Division channel.....	4.30
10 4119036	Vent frame.....	13.25
4118506	W/strip.....	2.60
11 4089412	Vent regulator.....	2.65
12 4114453	Link remote control	.28
13 4099974	Cam track.....	.35
14 4113800	Lock assembly.....	4.25
15 4125878	Window regulator.	4.10
16 4125228	Hinge, upper.....	2.75
17 4125273	Hinge, lower.....	2.75
4125990	Door handle, outside, plain.....	2.30
18 4081127	Inside handle.....	.90
19 4551545	Regulator handle..	1.30

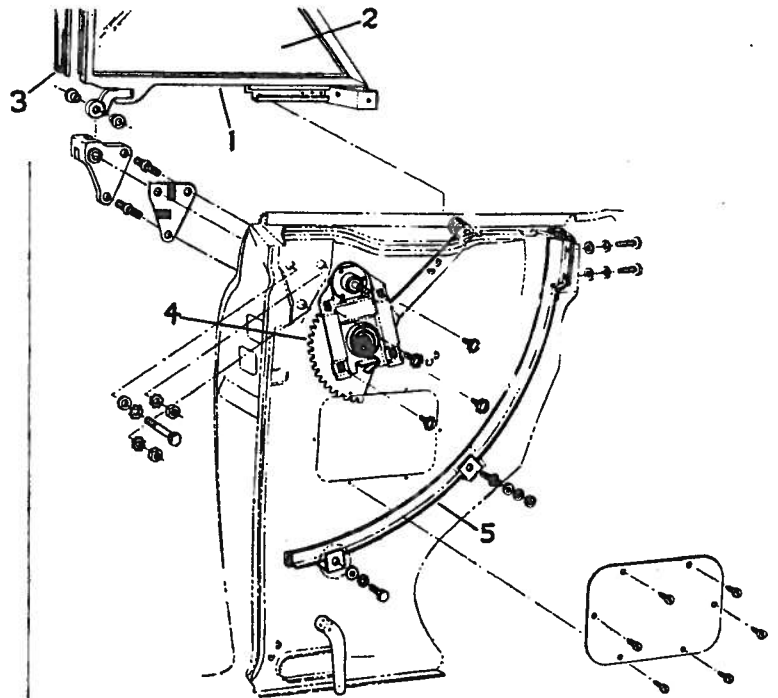
OLDSMOBILE 1946 to 1948 BODY PARTS

Series 66, 68. ALL BODY STYLES



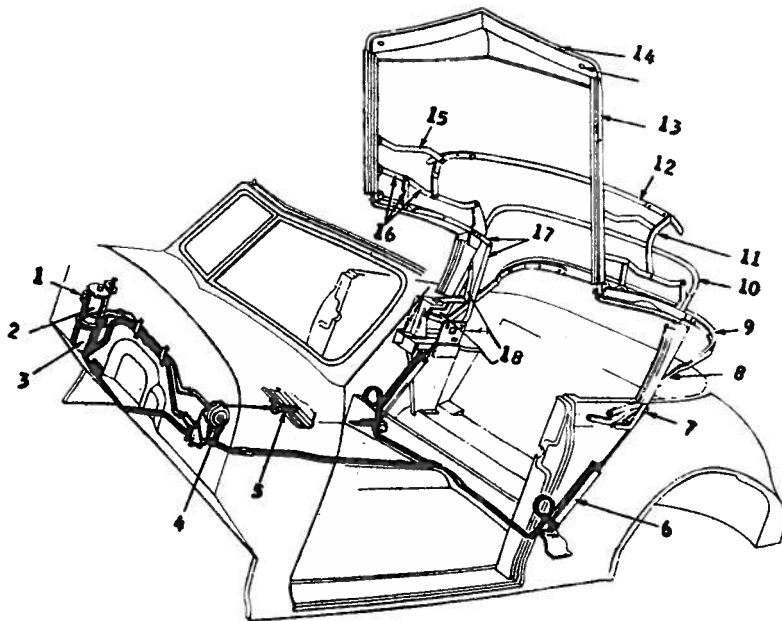
DECK LID CONVERTIBLES

Item	Part No.	Description	Price	Item	Part No.	Description	Price
1	4147952	Deck lid, 1946.....	23.15	4	4162693	Handle, less cyl., 1948.....	3.00
1	4161740	Deck lid, 1947-48..	24.50	4	4114877	Handle assy., 1946-47.....	4.05
2	4131754	W/strip, 1946-47...	2.30	4	4162692	Handle assy, 1948..	5.50
2	4162615	W/strip, 1948.....	3.40	5	4129651	Lock assy.....	2.60
2	4162616	W/strip, lower, 1948.....	.95	6	4114965	Lid support.....	1.55
3	4147638	Hinge, exp'd type.....	2.90	7	4113816	Lock striker.....	.30
4	4115924	Locking handle 1946-47.....	2.20				



REAR QUARTER WINDOW CONVERTIBLES

Item	Part No.	Description	Price
1	4135041	Channel, front and lower.....	13.80
2	4117429	Glass.....	5.55
3	4114993	Channel.....	2.00
4	4147869	Regulator, 1946-47.....	3.15
4	4135036	Regulator, 1948....	8.30
5	4132018	Window guide....	2.30

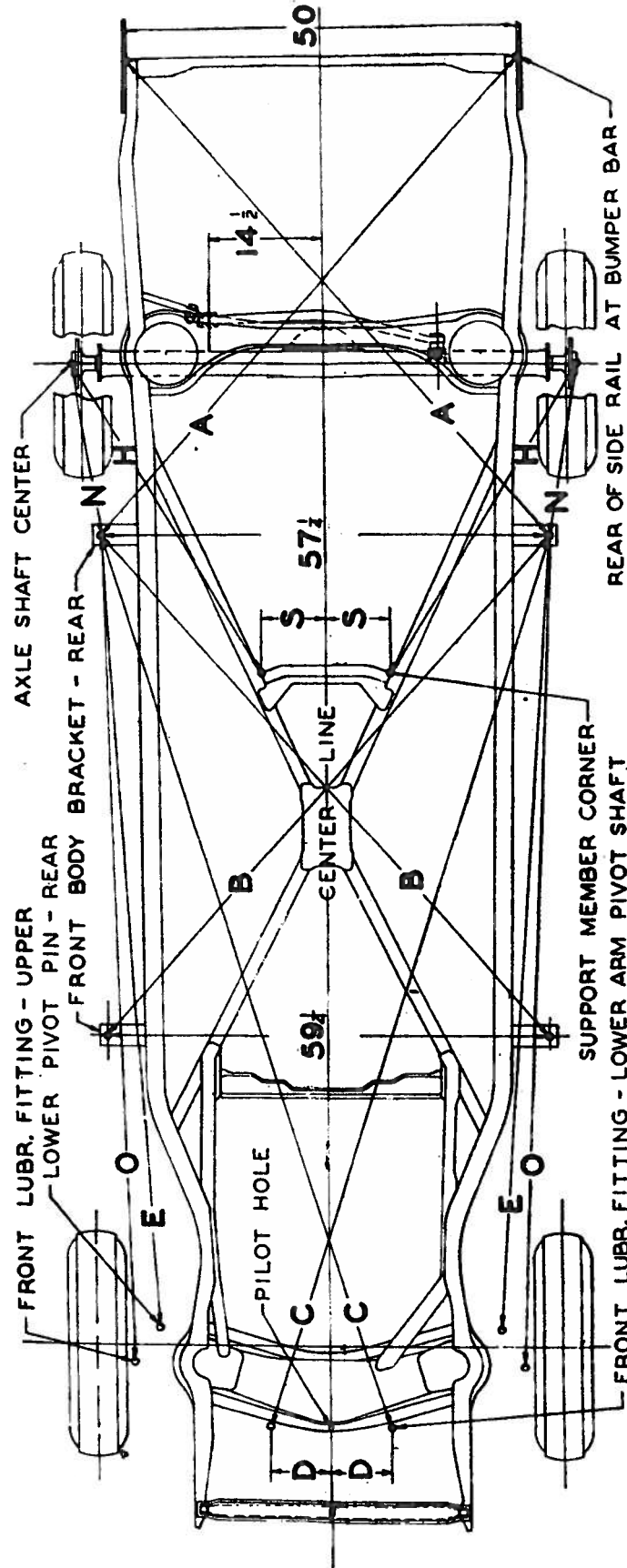


CONVERTIBLE TOP

Item	Part No.	Description	Price
1	4149784	Solenoid.....	3.45
2	4162686	Motor and pump, 1948.....	43.50
3	4161898	Reservoir.....	2.30
4	4149731	Valve assy.....	6.90
5	4149756	Knob assy.....	2.30
6	4149728	Cylinder assy.....	10.35
7	4182179	Yoke assy.....	2.95
8	4147864	Slat iron, rear bow.....	5.20
9	4134951	Rear bow.....	10.05
10	4139634	Bow No. 1.....	28.75
11	4147850	Slat iron.....	2.90
12	4134948	Auxiliary bow, front.....	4.60
13	4161974	Side roof rail, front.....	7.90
14	4134944	Rail assy., front... ..	10.35
15	4147861	Auxiliary link, front.....	2.60
16	4147858	Control link assy... ..	9.20
17	4161972	Rear roof rail.....	21.30

OLDSMOBILE 1946 to 1948 FRAME

Series 66, 68. ALL BODY STYLES



Frame Dimensions—119" W.B. Series—66, 68

FLAT RATE 1946 to 1948 OLDSMOBILE Series 66, 68. ALL BODY STYLES

Chilton Job No.	Chilton Labor Price	Chilton Job No.	Chilton Labor Price	Chilton Job No.	Chilton Labor Price	Chilton Job No.	Chilton Labor Price	Chilton Job No.	Chilton Labor Price	Chilton Job No.	Chilton Labor Price	Chilton Job No.	Chilton Labor Price	Chilton Job No.	Chilton Labor Price	Chilton Job No.	Chilton Labor Price		
A		A-continued		A-continued		B-continued		C-continued		D		E-continued		E-continued		F-continued		G	
1	4.00	6	19.00	20	4.00	9	4.25	3	25.00	1	4.00	2	26.00	12	100.00	2	30.00	1	100.00
1a	3.50	7	3.00	20x	6.50	10	4.25	4	2.50	1a	3.50	3	30.00	3	1.50	2	26.00	2	26.00
2	2.50	8	3.00			11	3.25	5	3.75	2	2.50	4	25.00	4	95.00	3	3.00	3	30.00
3	6.00	9	5.00			12	3.75	6	4.25	6	6.00	5	30.00	5	82.00	4	6.50	4	30.00
4	17.00	10				13	11.00	7	2.00	4	11.00	6	28.00	6	48.00	5	2.00	5	30.00
4a		11	8.00			14	2.75	8	3.50	7	14.00	7	14.00	7	19.00	6	3.50	6	14.00
4b	2.00	12	6.50			15	1.25	9		7x		7x		8	12.00	7		7x	
4c	5.00	13	8.00					10	4.25	8	11.00	8	60.00	8	3.75	8	4.25	8	65.00
4d	5.00	14	3.50					11	3.25	19	11.00	9	70.00	9	3.25	9	40.00	9	40.00
5	11.00	15						12	3.75	20	3.75	9x	65.00	10	11.00	10	46.00	10	46.00
5a	4.00	16	1.00					13				9y	40.00	11	3.75	11	11.00	11	11.00
5b	3.75	17						14	2.75			10	45.00	12	2.75	12	11.00	12	11.00
5c	4.00	18	9.00					15	1.25			11	11.00	13		13	2.75	13	2.75
5d	5.75													14		14		14	12.00

STEERING GEOMETRY

CASTER: Zero to 3/4 degree negative.

CAMBER: 1/4 degree negative to 3/4 degree positive.

TOE-IN: 1/16 to 1/8 inch.

KING PIN INCLINATION: Four degree fifty-one minutes ten seconds.

ADJUSTMENTS

CASTER is controlled by full turns of the upper eccentric pin.

CAMBER is controlled by eccentric upper pin and full range is obtained in one-half turn.

TOE-IN should be adjusted at both tie rod sleeves.

