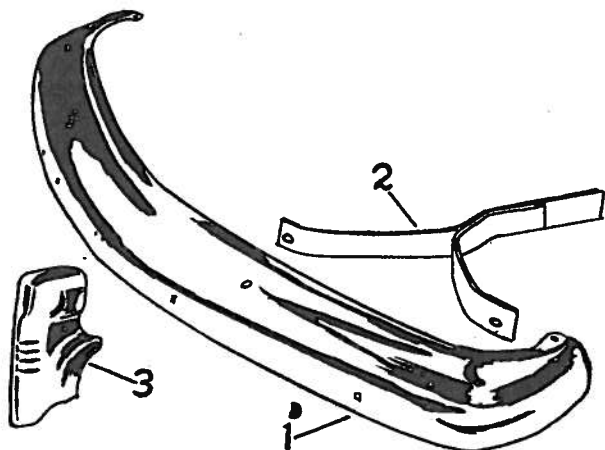


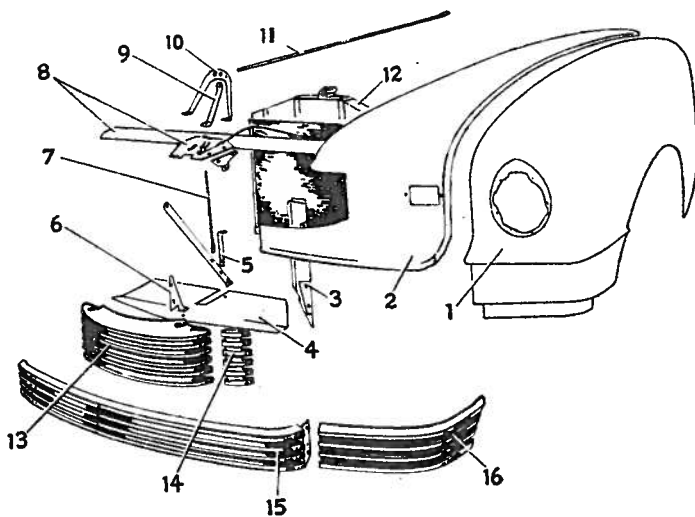
# NASH 1946 to 1948 BODY PARTS

## Series 40. ALL BODY STYLES



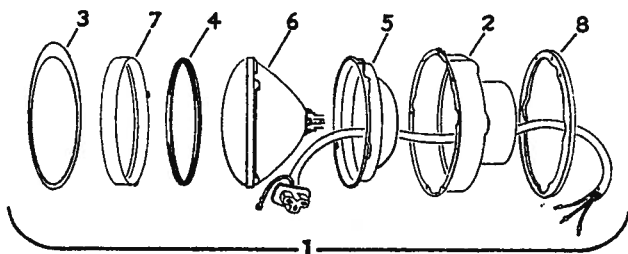
**FRONT BUMPER  
ALL MODELS**

Item Part No.	Description	Price
1 3121056	Bmpr., impact bar.	35.00
2 3122500	Back bar	3.40
3 3121460	Guard, bmpr., vert.	6.65



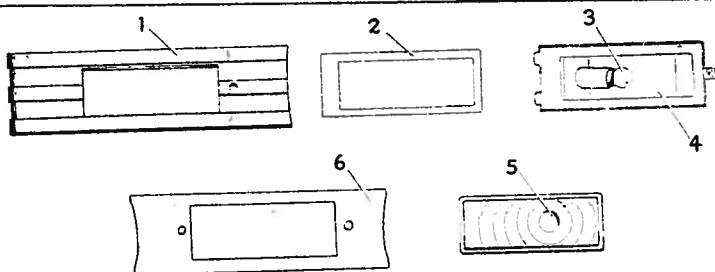
**FRONT FENDER, RADIATOR & GRILLE ASSEMBLY  
ALL MODELS**

Item Part No.	Description	Price	Item Part No.	Description	Price
1 3121045	Fender	27.50	9 3109571	Brace, rad. to lock plate	.33
3109820	Welt, fender	.22	10 3122344	Bracket, rad. brace rod	1.05
2 3112144	Apron, hood side	14.30	11 3107310	Brace rod, rad. to cowl	.94
3109537	Lacing rubber	.70	12 3109480	Radiator	65.00
3 3110781	Air baffle, side	1.20	13 3121011	Grille, up. rad.	13.15
4 3110785	Air baffle, lower	1.45	14 3123157	Grille extension, up. rad., 1947-48	4.45
5 3111167	Brace lower baffle	.50	15 3121038	Grille, low. rad.	15.60
6 3121075	Brkt., lower baffle	.50	16 3121012	Grille, fender	10.35
7 3110457	Brace rod, vertical to rad.	.90			
8 3109597	Tie plate	5.80			



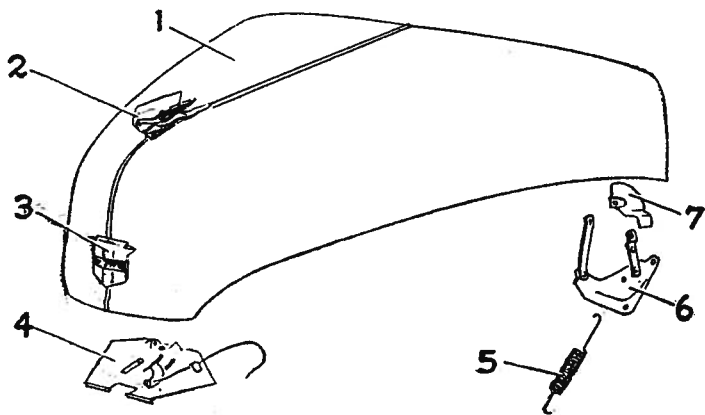
**HEADLAMP ASSEMBLY  
ALL MODELS**

Item Part No.	Description	Price	Item Part No.	Description	Price
1 3109942	Hdimp., less door	17.75	6 3102722	Bulb assy.	1.30
2 3110987	Body	4.45	7 3108190	Retaining ring	1.20
3 3121033	Door	3.30	3105193	Adjusting spring	.15
4 3104662	Gasket, door	.35	8 3102851	Gasket, to fender	.50
5 3104926	Adjusting shell	1.50			



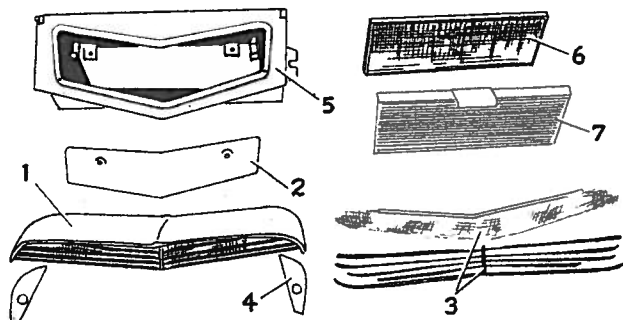
**PARKING & DIRECTIONAL SIGNAL LAMP  
ALL MODELS**

Item Part No.	Description	Price	Item Part No.	Description	Price
3121067	Lamp complete	5.40	3 88295	Bulb, W/directional signal	.25
3121061	Lamp complete, W/signal	5.40	3 63180	Bulb, parking	.15
1 3121792	Door	2.25	1 3121791	Body, W/socket	1.25
2 3121804	Gasket, to lens	.33	5 3121796	Lens	.35
			6 3121082	Gasket, to body	.15



**HOOD ASSEMBLY  
ALL MODELS**

Item Part No.	Description	Price	Item Part No.	Description	Price
1 3121279	Hood, 1946-47	41.80	4 3105704	Hood lock plate, low.	2.25
1 3125189	Hood, 1948	41.80	5 3111227	Hinge spring	.44
2 3121054	Trim strip	1.70	6 3110800	Hinge	2.04
3 3121978	Name plate, 1946, 47, All; 48-40, 43, 48	.99	7 3109512	Hinge bracket	.33
3 3121967	Name plate, 1948-50, 53, 58	1.00			

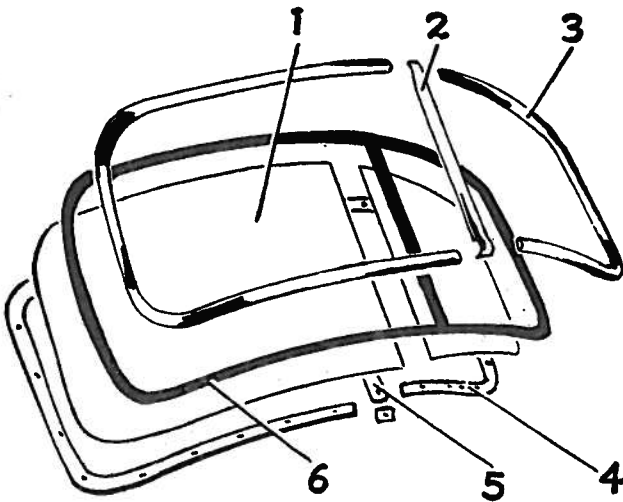


**COWL VENT & AIR HOPPER ASSEMBLY  
ALL MODELS**

Item Part No.	Description	Price	Item Part No.	Description	Price
1 4332022	Hood assy., cowl ventilator	9.00	4 4332926	Gasket	.00
2 4332027	Cover	2.89	5 4332007	Air hopper	15.20
3 4331998	Screen & grille	5.60	6 A66791	Filter	1.10
			7 3106920	Air baffle	2.00

# BODY PARTS 1946 to 1948 NASH

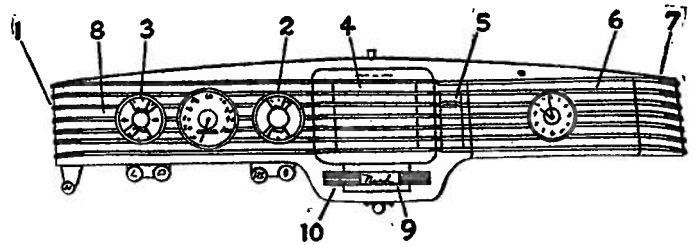
## Series 40. ALL BODY STYLES



### WINDSHIELD ALL MODELS

Item Part No.	Description	Price
1 4325143	Glass	1.05
2 4325192	Div. bar, 1946, 47, 48	1.05
2 4342026	Div. bar, 48-42 only	1.05
3 4325393	Midg., W/S rev., L.	2.70
4 4335655	Midg., frame, finish	2.90
5 4335658	Midg., fin., div. bar, 1946	1.45

Item Part No.	Description	Price
5 4340134	Midg., fin., div. bar, 1947-48	1.45
6 4325127	Channel, 1946, 47, 48	4.45
6 4326140	Channel, 1948-42 only	4.45



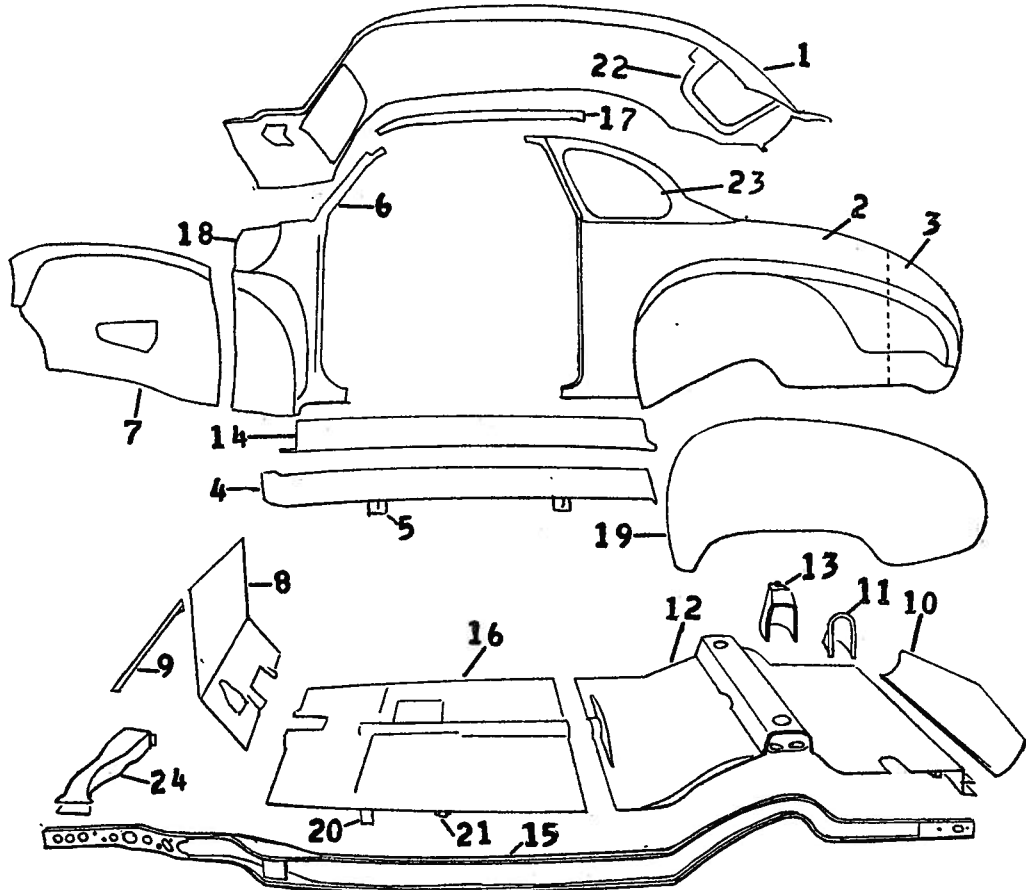
### INSTRUMENT PANEL ALL MODELS

Item Part No.	Description	Price	Item Part No.	Description	Price
1 4335711	Panel, 1946, 47-40, 42, 43, 48	20.15	6 4335702	Cover, glove box, 1946, 47	7.70
1 4341611	Panel, 1948-40, 42, 43, 48	20.15	6 4341447	Cover, glove box, 1948-42 only	8.40
1 4342029	Panel, 1948-50, 53, 58	24.10	6 4341444	Cover, glove box, 1948-40, 43, 48	8.40
2 3109685	Instrument panel, R., 1946, 47	8.05	6 4342036	Cover, glove box, 1948-50, 53, 58	10.65
2 3124470	Instrument panel, R., 1948	8.05	7 4335701	Midg., overlay, R., 40, 42, 43, 48	2.95
3 3109684	Instrument panel, L., 1946, 47	8.05	7 4342035	Midg., overlay, R., 1948-50, 53, 58	3.95
3 3124469	Instrument panel, L., 1948	8.05	8 4335700	Midg., inst. clust., L., 40, 42, 43, 48	6.00
4 3121960	Panel, radio grille, 4332058	7.35	8 4342034	Midg., inst. clust., L., 1948-50, 53, 58	8.85
5 4335705	Ash tray panel, cover	1.15	9 3110405	Plate, radio contrl. cover	1.65
			10 3107303	Shell, heater	6.65

### CAR BODY SHEET METAL

2-DOOR MODELS, 1946, 47, 48 -42, 43, 53

Item Part No.	Description	Price
1 4331797	Roof pan., 1946, 47	67.50
1 4331540	Roof panel, 1948...	70.60
1 434541	Roof panel, 1948-42 only	63.65
1 4332917	Rear qtr. pan., '46-47	61.10
1 4344381	Rear quarter panel, 1948-42 only	61.10
1 4344383	Rear qtr. pan., '48	61.10
1 4332929	Pan., side back end	15.95
1 4324701	Run. board apron	6.60
1 4324735	Brace, apron	5.55
1 4331957	Front body pillar	11.55
1 4335897	Whilse. pan., '46-47	9.25
1 4344082	Whilse. pan., 1948	6.75
1 4332585	Dash panel	20.00
1 4335743	Brace	5.95
1 4335789	Pan., rear dk. low.	8.50
1 4331322	Brace, rear deck lower panel	.44
1 4324849	Filler neck cover	.28
1 4329341	Rear floor panel	45.40
1 4332595	Housing, shock absorber, '46	4.55
1 4339642	Housing, shock absorber, '47	4.55
1 4341349	Housing, shock absorber, '48	4.55
1 4324735	Side sill panel	5.55
1 4336631	Floor side sill pan.	38.65
1 4335718	Front floor panel	20.00
1 4325037	Side roof rail panel, outer	1.55
1 4321949	Side roof rail panel, inner	1.30
1 4331775	Cowl side assy., 1946, 47	31.35
1 4341609	Cowl side assy., '48	31.35
1 3121003	Fender, rear	20.50
1 3108802	Brace rod, fender, rear	.33
1 3105654	Welt, fender, rear	.70
1 4324508	Frent. cross sill assy.	2.55
1 4335719	Rear cross sill assy.	2.00
1 4324669	Frame assy., rear window	5.25
1 4331819	Frame assy., rear quarter window	8.55
1 3109779	Gas tank	16.50
1 4335823	Front cross mbr.	16.25



# NASH 1946 to 1948 BODY PARTS

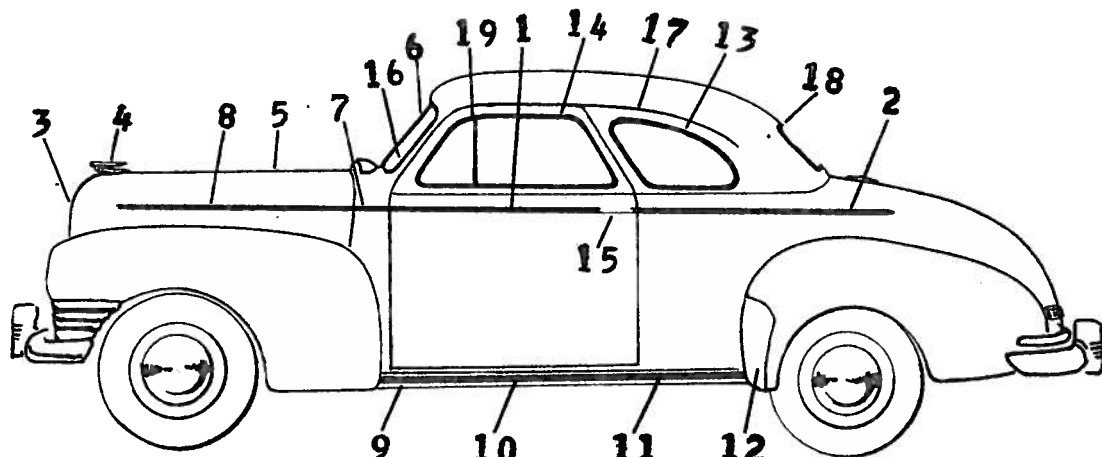
## Series 40. ALL BODY STYLES

### CAR BODY CHROME & TRIM MOLDINGS

#### 2-DOOR MODELS—

1946, 47, 48—42, 43, 53

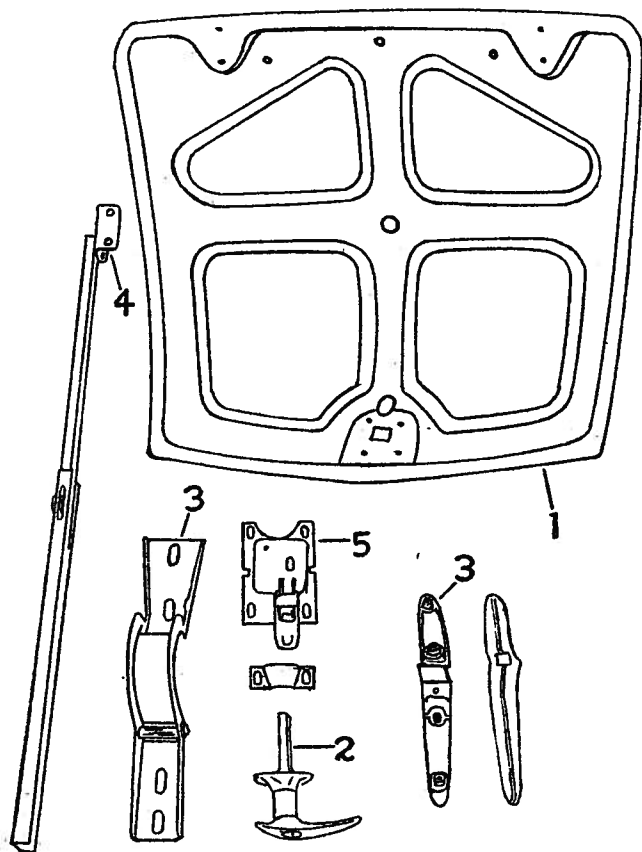
Item Part No.	Description	Price
1 4325178	Molding, door upper belt, 1946, 47	2.70
1 4341579	Molding, door upper belt, 1948	2.70
2 4325191	Molding, rear quarter belt, 1946, 47	2.30
2 4341589	Molding, rear quarter belt, 1948	2.30
3 3121070	Name plate hood, 1946, 47	4.30
3 3125688	Name plate hd., '48	2.55
4 3121532	Ornmnt., hood, '46	5.60
4 3123151	Orn., hood, '47-48	8.70
5 3121054	Hood trim strip	1.70
6 4325393	Midg., whhd., reveal	2.70
6 4325192	Midg., divis. W/S	1.05
7 4325185	Molding, cowl	.72
8 3121034	Midg., hood, side	2.55
9 4325903	Midg. run. bd. apron	3.75
10 4325907	Rbr., run. bd. apron	1.55
11 4331923	Mat, side sill	3.50
12 3111180	Guard, splash, rear fender	3.45
13 4325623	Molding, reveal, rr. quarter window, 1946-47	2.00
14 4325612	Molding, reveal, front door, 1946-47	2.30
15 4325712	Handle door, '46-47	2.75



Item Part No.	Description	Price
15 4325924	Handle, door, 1948	2.75
15 4325926	Handle, dr., 48-53	2.90
16 4325143	Glass, windshield	.....

Item Part No.	Description	Price
17 4325283	Midg., drip, '46-47	1.60
17 4341553	Molding, drip, 1948	1.25
18 4325399	Molding, reveal, rr. window; 46, 47, 48-43, 53	4.00

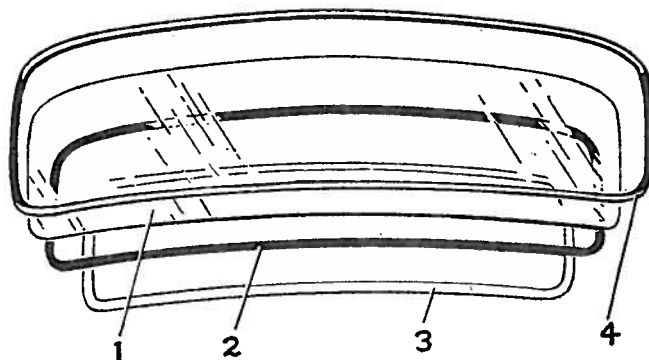
Item Part No.	Description	Price
19 4333657	Molding, frt. dr. div. (chrome)	1.51
19 4334939	Molding, front dr. div. (black)	1.21



### REAR DECK LID

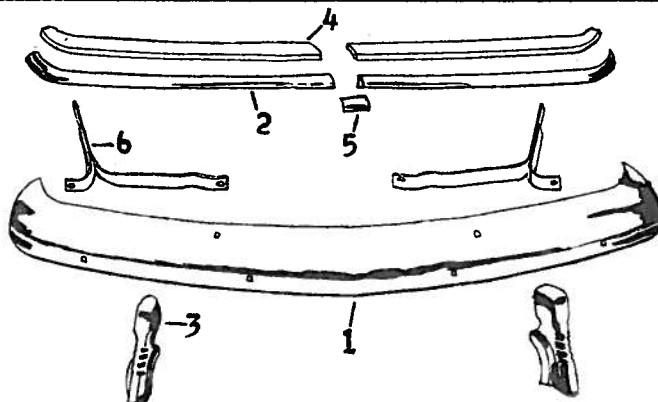
2-DOOR MODELS—  
1946, 47, 48—42, 43, 53

Item Part No.	Description	Price
1 4338801	Deck lid	50.25
1 4331467	Deck lid, 1948-42 only	50.25
2 4340888	Handle, deck	4.70
3 4325349	Hinge, deck	2.70
4 4325368	Gasket, deck hinge	.10
4 4326349	Stay hinge, dk. lid	2.10
5 4337862	Lock, deck	1.75



### REAR WINDOW ALL MODELS

Item Part No.	Description	Price	Item Part No.	Description	Price
1 4325154	Glass, 48, 58	.....	4341599	1948-40, 43, 42	4.4
1 4325155	Glass, 40, 42, 43, 50, 53	.....	4341610	1948-48	4.4
2 4325130	Channel, (rubber)	3.90	4341962	1948-50, 53	4.4
2 4325141	Channel, (rubber), 1948-42 only	3.90	4341963	1948-58	4.4
3 4335715	Molding, frame, finish	4.40	4 4325398	Molding, reveal, 48, 58	4.2
4335716	40, 43	4.40	4 4325399	Molding, reveal, 40, 43, 50, 53	4.0

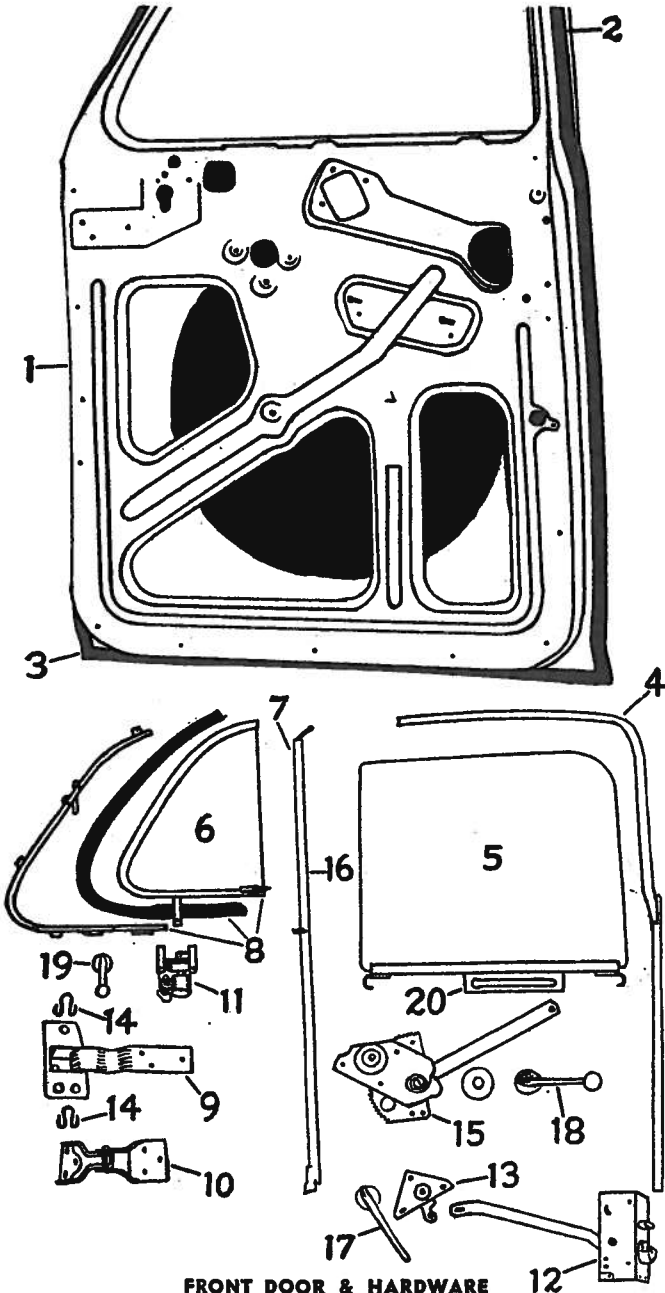


### REAR BUMPER ALL MODELS

Item Part No.	Description	Price	Item Part No.	Description	Price
1 3121489	Bumper, imp. bar	33.65	4 3122655	Spacer	1.1
2 3109575	Trim bar	2.75	5 3111226	Center clip	.....
3 3121461	Guard, bumper, vertical	6.65	6 3109546	Back bar	3.1

# BODY PARTS 1946 to 1948 NASH

## Series 40. ALL BODY STYLES

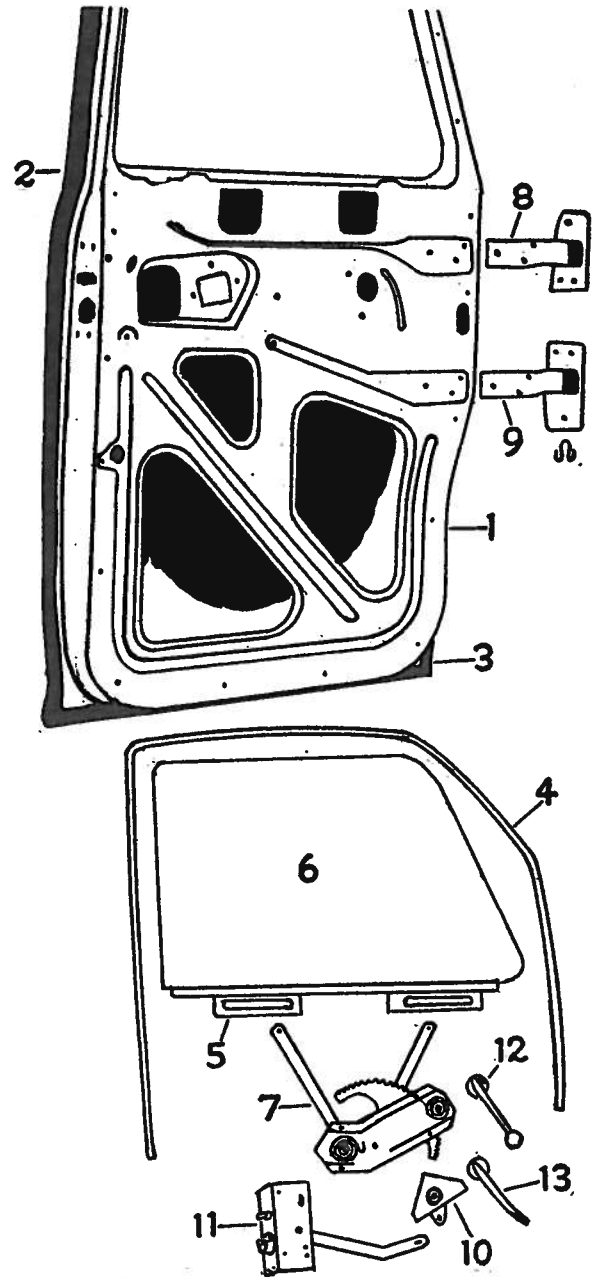


**FRONT DOOR & HARDWARE**

4-DOOR MODELS—

1946, 47, 48—40, 48, 50, 58

Item Part No.	Description	Price	Item Part No.	Description	Price
1	4334640—Dr., F., 1946, 47.	46.20	12	4327704—Lock, door	3.20
1	4343859—Dr., F., 1948	46.20	13	4335991—Remote control	3.35
2	4325454—W/strip., top & sides	1.85	14	4331887—Spring, hinge	.44
3	4325606—W/strip., lower	.77	15	4325504—Regitr., dr. glass	3.15
4	4325676—Channel, dr. glass slide	2.00	16	4325200—Channel, div. bar glass slide, up.	.55
5	4327688—Glass, door	8.80	16	4325199—Channel, div. bar glass slide, low.	.55
6	4325711—Glass ventilator	2.75	17	4335638—Handle, remote control, 40, 48	.83
7	4336444—Div. bar, vent. (crank type), 1946, 47.	3.80	17	4325638—Handle, remote control, 50, 58	1.10
7	4341623—Div. bar, vent. (friction), 48—40, 48.	3.80	18	4335637—Handle, regulator, 40, 48	1.30
7	4342003—Div. bar, vent., 48—50, 58	3.80	18	4332095—Handle, regulator, 50, 58	1.65
8	4336898—Frame assy., vent. (friction), 1946, 47.	12.70	19	4335636—Handle, vent. regulator, 40, 48	1.40
8	4325370—Frame assy., vent. (crank), 1946, 47, 48.	12.70	19	4332093—Handle, vent. regulator, 50, 58	1.40
9	4331862—Hinge, upper	3.20	20	4325414—Channel, lower	1.75
10	4325356—Hinge, lower	2.00			
11	4325216—Regulator, vent.	3.35			



**REAR DOOR & HARDWARE**

4-DOOR MODELS—

1946, 47, 48—40, 48, 50, 58

Item Part No.	Description	Price	Item Part No.	Description	Price
1	4333207—Rear door, 1946, 47	46.20	9	4331869—Hinge, lower	2.75
1	4343861—Rear door, 1948	46.20	10	4329685—remote control	1.30
2	4325457—W/strip., top & sides	1.85	11	4330675—Lock, door	3.20
3	4325609—W/strip., lower	.66	12	4332095—Handle, regulator, 50, 58	1.65
4	4325679—Channel, dr. glass slide	3.30	12	4335837—Handle, regulator, 40, 48	1.30
5	4325418—Channel, lower	1.18	13	4325638—Handle, remote, control, 50, 58	1.10
6	4331959—Glass, door	12.20	13	4335638—Handle, remote control, 40, 48	.83
7	4325507—Regitr., dr. glass	3.15			
8	4331867—Hinge, upper	2.00			

# NASH 1946 to 1948 BODY PARTS

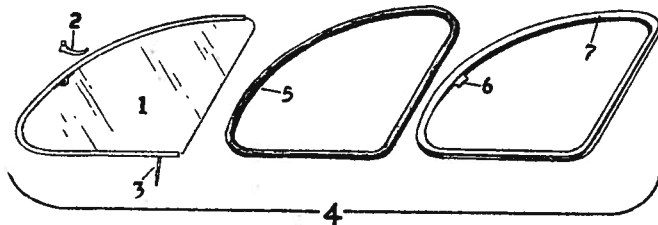
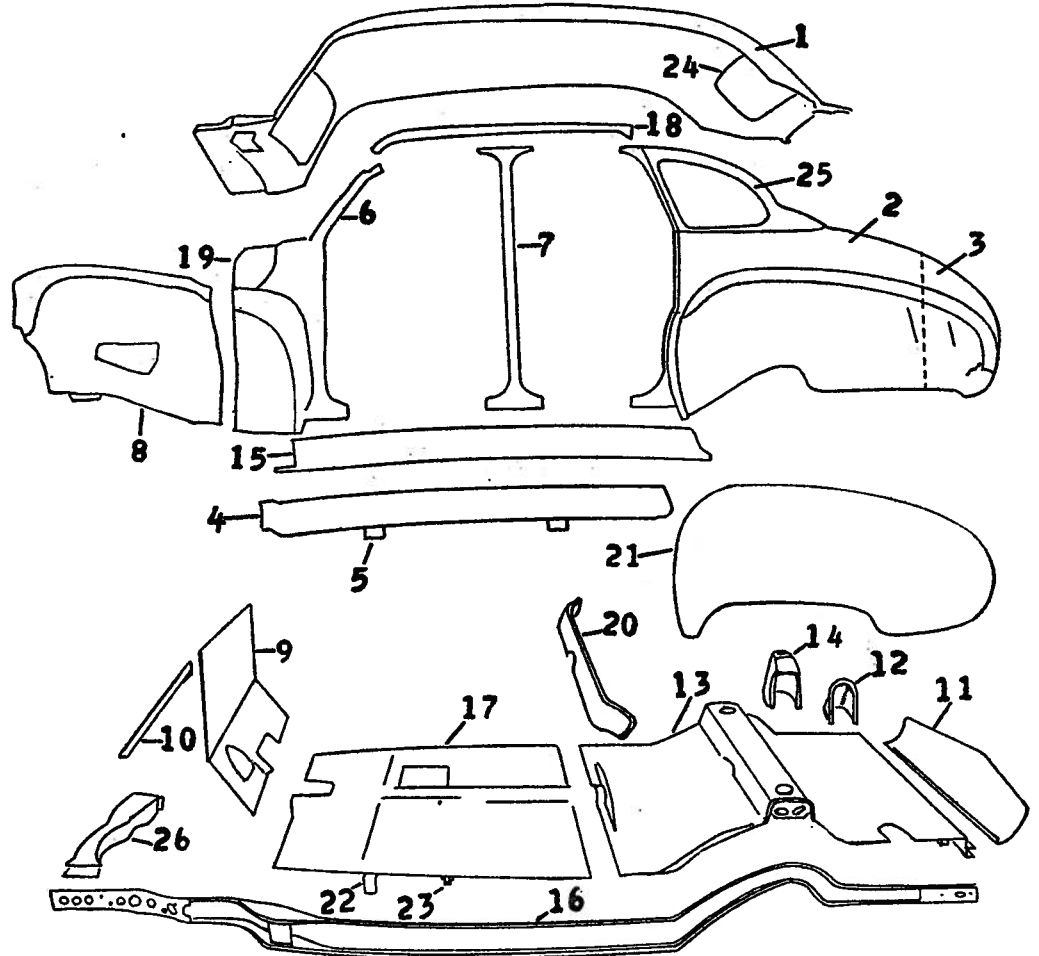
## Series 40. ALL BODY STYLES

### CAR BODY SHEET METAL

#### 4-DOOR MODELS—

1946, 47, 48—40, 48, 50, 58

Item	Part No.	Description	Price
<b>1 Roof Panel</b>			
4331793	—46, 47—40, 50	63.65	
4331795	—46, 47—48, 58	69.30	
4341532	—48—40, 50	63.65	
4341539	—48—48, 58	63.65	
<b>2 Rear Quarter Side Panel</b>			
4332913	—46, 47—40, 50	51.80	
4332921	—46, 47—48, 58	51.80	
4344387	—48—40, 50	51.80	
4344385	—48—48, 58	51.80	
<b>3 4332931—Panel, side back end, 48, 58 only.</b>			
4324699	—Apron, run. board.	15.95	
4324735	—Brace, apron.	6.80	
4331957	—Front body pillar assy.	5.55	
4325058	—Center body pillar.	11.55	
4335897	—Wheelhouse panel, 1946-47	17.00	
4344082	—Whilhse. pan., '48.	9.25	
4332585	—Dash panel.	6.75	
4335743	—Brace	20.00	
4335789	—Pan. rear dk. low.	5.95	
4331322	—Brace, rear deck lower panel.	8.50	
4324549	—Filler neck cover.	.44	
4328941	—Rear floor panel.	.28	
4328941	—Rear floor panel.	45.40	
<b>14 Housing, shk. absbr.</b>			
4332695	—1946	4.55	
4339642	—1947	4.55	
4341349	—1948	4.55	
4324735	—Side sill panel.	4.55	
4336631	—Fl. side sill panel.	5.55	
4335718	—F. floor panel.	38.65	
4325025	—Side roof rail panel, outer	20.00	
4331947	—Side roof rail panel, inner	1.75	
4331775	—Cowl side assy., 1946, 47	1.55	
4341509	—Cowl side assy., 1948	31.35	
4331934	—Panel, rear seat riser	31.35	
3121003	—Fender, rear	4.70	
3108802	—Brace rod, fndr., R.	20.50	
3105654	—Welt, fndr., R.	.33	
4324508	—F. cross sill assy.	.70	
4335719	—R. cross sill assy.	2.55	
4324668	—Frame assy., R. window, 48, 58	2.00	
4324669	—Frame assy., R. window, 40, 50	5.25	
4331813	—Frame assy., R. qtr. window, 40, 50	5.25	
4331815	—Frame assy., R. qtr. window, 48, 58	8.25	
3109778	—Gas tank	8.25	
4335823	—F. cross member.	16.50	
		16.25	



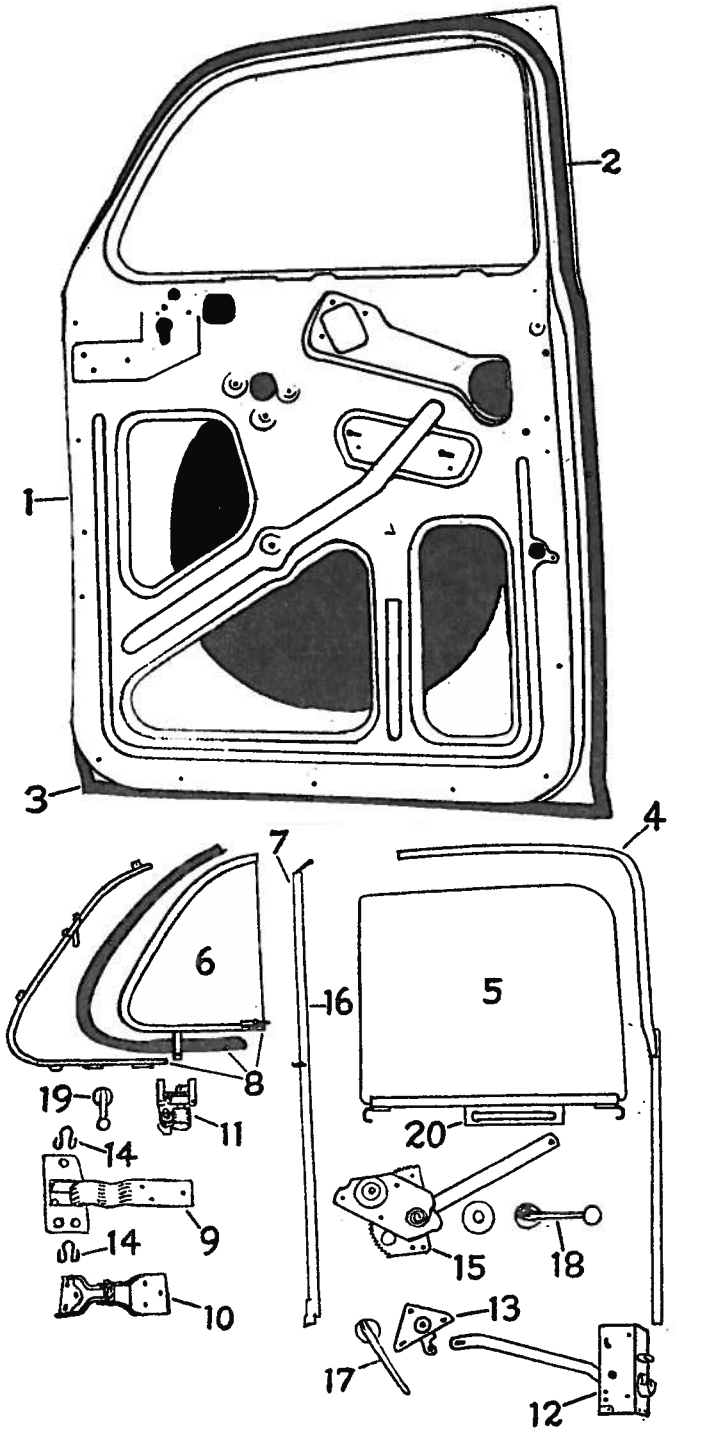
### REAR QUARTER WINDOW

ALL MODELS EXCEPT 1948-42

Item	Part No.	Description	Price	Item	Part No.	Description	Price
1	4325150	—Glass, 43, 53	.....	5	4325291	—W/strip., 40, 50	.....
1	4325149	—Glass, 40, 50	.....	5	4325313	—W/strip., 48, 58	.....
1	4325148	—Glass, 48, 58	.....	5	4325329	—W/strip., 43, 53	.....
2	4335735	—Handle, L.	.66	6	4325301	—Striker	.....
3	4329600	—Pivot, ventilator	.33	7	Molding, W/pivot & Locking brackets		
4	Vent. assy. w/frame, glass, rub. w/strip. & midg.				4338155	—1946, 47—40	5.25
	4335685	—1946, 47—43	19.80	4335689	—1946, 47—43	5.25	
	4338151	—1946, 47—40	19.80	4335681	—1946, 47—48	5.25	
	4335677	—1946, 47—48	19.80	4341637	—1948—40	5.25	
	4341629	—1948—43	23.40	4341641	—1948—43	5.25	
	4341995	—1948—53	30.65	4341639	—1948—48	5.25	
	4341625	—1948—40	19.80	4341983	—1948—50	5.25	
	4341627	—1948—48	19.80	4341899	—1948—53	5.25	
	4341979	—1948—50	28.05	4341991	—1948—58	5.25	
	4341987	—1948—58	28.05				

# BODY PARTS 1946 to 1948 NASH

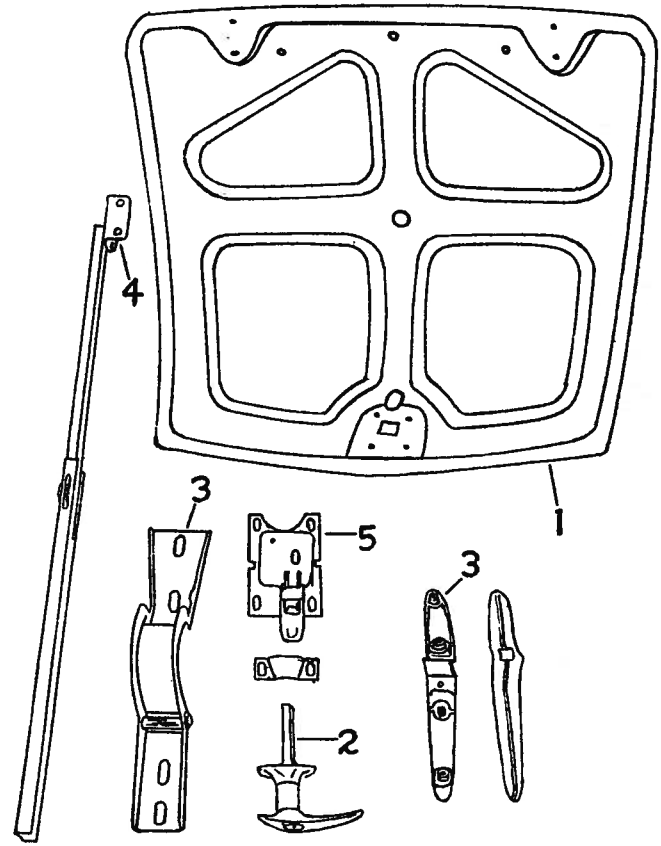
## Series 40. ALL BODY STYLES



### FRONT DOOR & HARDWARE

2-DOOR MODELS—  
1946, 47, 48—42, 43, 53

Item Part No.	Description	Price	Item Part No.	Description	Price	Item Part No.	Description	Price
1	4334644—Door—1946, 47	55.00	7	4341623—Div. bar, vent., (friction) 48—42, 43	3.80	13	4335991—Remote control	3.35
1	43333857—Door—1948	55.00	7	4342003—Div. bar, vent., 48—53	3.80	14	4331887—Spring, hinge	.44
1	4343863—Dr.—1948—42 only	55.00	8	4336898—Frame assy., vent., (friction), 1946, 47	12.70	15	4325502—Regltr, dr. glass	3.65
2	4325452—W/strip, top & sides	2.00	8	4325370—Frame assy., vent., (crank), 1946, 47, 48	12.70	16	4325200—Channel, div. bar glass slide, up	.55
3	4325604—W/strip, lower	.72	9	4331862—Hinge, upper	3.20	16	4325199—Channel, div. bar glass slide, low	.55
4	4325674—Channel, dr. glass slide	2.50	10	4325356—Hinge, lower	2.00	17	4335638—Handle, remote control, 42, 43	.85
5	4332226—Glass, door	10.50	11	4325216—Regulator, vent.	3.35	17	4325638—Handle, remote control, 63	1.10
6	4325711—Glass, ventilator	2.75	12	4327698—Lock, door	3.35	18	4335637—Handle, regulator, 42, 43	1.30
7	4336444—Div. bar, vent., crank type, 1946, 47	3.80				18	4332095—Handle, regltr, 53	1.65
						19	4335636—Handle, vent. regulator, 42, 43	1.40
						19	4332093—Handle, vent. regulator, 53	1.40
						20	4325416—Channel, lower	3.88



### REAR DECK LID

4-DOOR MODELS—

1946, 47, 48—40, 48, 50, 58

Item Part No.	Description	Price
1	4336383—Deck lid, 48, 58	44.00
1	4336387—Deck lid, 40, 50	48.90
2	4340888—Handle, deck	4.70
3	4325351—Hinge, deck, 40, 50	2.70
3	4325357—Hinge, deck, 48, 58	1.60
	4325368—Gasket, deck hinge, 40, 50	.10
	4325659—Gasket, deck hinge, 48, 58	.10
4	4326349—Stay hinge, deck lid, 40, 50	2.10
4	4326313—Stay hinge, deck lid, 48, 58	1.55
5	4337862—Lock, deck	1.75

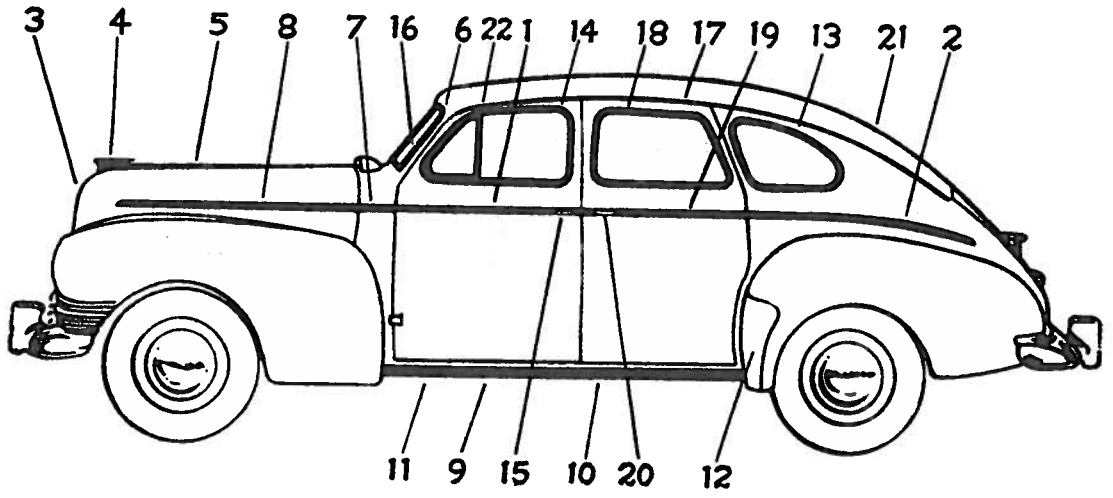
# NASH 1946 to 1948 BODY PARTS

## Series 40. ALL BODY STYLES

### CAR BODY CHROME & TRIM MOLDINGS

4-DOOR MODELS—  
1946, 47, 48—40, 48, 50, 58

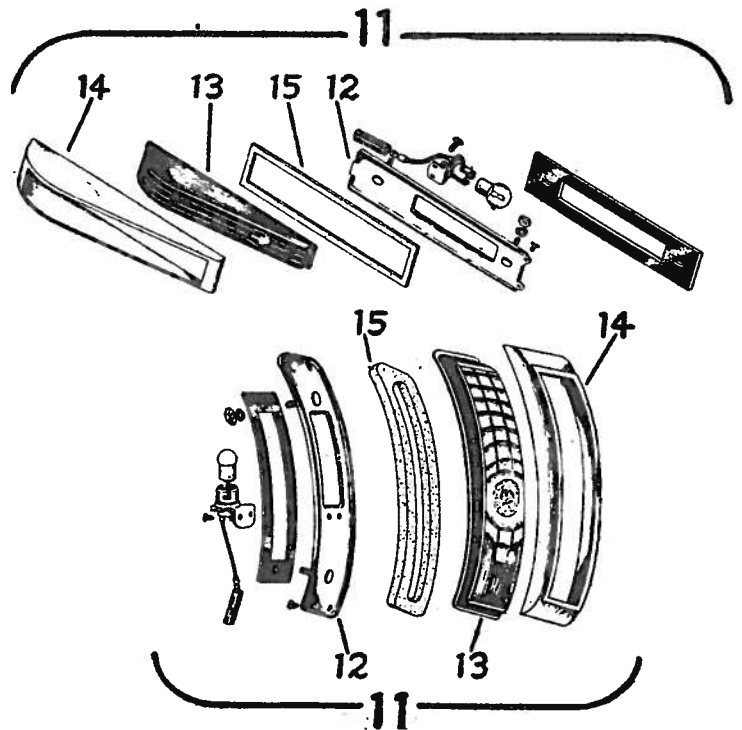
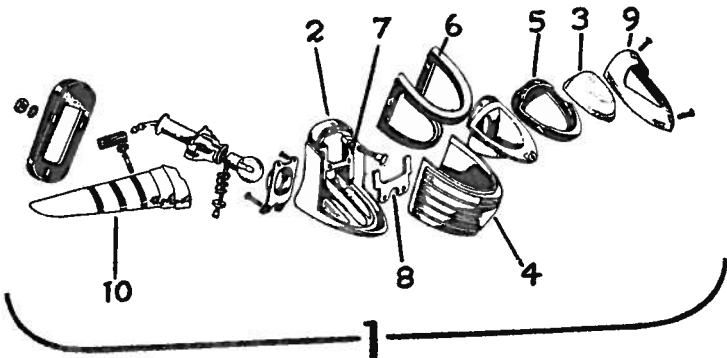
Item	Part No.	Description	Price
1	4325180	—Midg., F. dr., up. belt, 1946, 47	2.20
1	4341581	—Midg., F. dr., up. belt, 1948	1.10
2	4325189	—Midg., rear quarter belt, 1946, 47—40, 50	2.05
	4329235	—1946, 47—48, 58	3.10
	4341585	—1948—40, 50	2.05
	4341587	—1948—48, 58	3.10
3	3121070	—Name plate, hood, 1946, 47	4.30
4	3121532	—Ornament, hood, 1946	5.60
4	3123151	—Ornament, hood, 1947, 48	8.70
5	3121055	—Hood trim strip	1.95
6	4325393	—Midg., windshield, reveal	2.70
6	4325192	—Midg. divis., W/S	1.05
7	4325185	—Molding, cowl	.72
8	3121034	—Midg., hood, side	2.55
9	4325903	—Midg., run. board apron	3.75
10	4325905	—Rubber, run. board apron	1.95
11	4331927	—Mat, side sill, R. door	2.20
11	4331925	—Mat, side sill, F. door	2.75
12	3111180	—Guard, splash, R. fender	3.45
13	4325619	—Midg., rev., R. qtr. window, 46, 47—40	1.95
13	4325621	—Midg., rev., R. qtr. window, 46, 47—48	1.95
14	4325614	—Midg., rev., F. dr., 1946, 47	2.10



Item	Part No.	Description	Price	Item	Part No.	Description	Price	Item	Part No.	Description	Price
15	4325712	—Handle, F. door, 1946, 47	2.75	18	4325617	—Midg., rev., R. dr., 1946, 47	2.10	21	4325398	—Midg., rev., R. window, 46, 47, 48	4.20
15	4325929	—Handle, F. door, 1948—40, 50	2.75	19	4325389	—Midg., R. dr., up. belt, 1946, 47	2.20	21	4325399	—Midg., rev., R. window, 46, 47, 48—40, 50	4.20
15	4325924	—Handle, F. door, 1948—48, 58	2.75	19	4341585	—Midg., R. dr., up. belt, 48—40, 50	2.20	22	4333657	—Midg., F. dr. div., (chrome)	1.55
16	4325143	—Glass, windshield	2.90	19	4341583	—Midg., R. dr., up. belt, 48—48, 58	2.20	22	4334939	—Midg., F. dr. div., (black)	1.25
17	4325279	—Drip molding, 1946, 47—40	2.90	20	4325713	—Handle, R. door, 1946, 47	2.75				
	4325281	—1946, 47—48	3.05								
	4341547	—1948—40, 50	2.90								

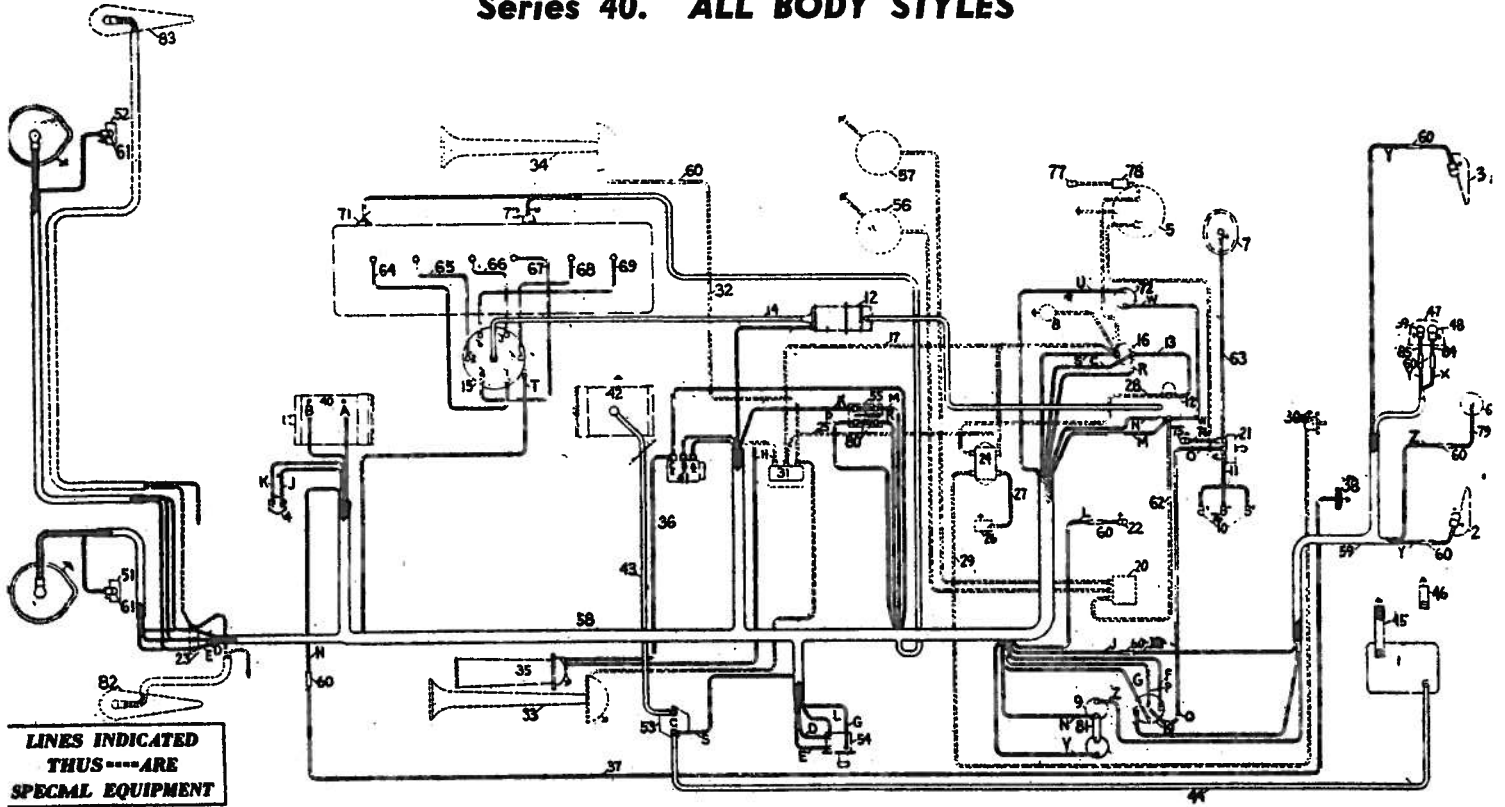
### TAIL & LICENSE LIGHT ASSEMBLIES ALL MODELS

Item	Part No.	Description	Price	Item	Part No.	Description	Price
1	3109687	—Stop & license lamp, comp.	6.00	11	3109447	—Tail lamp, 48, 58, only	4.95
2	3111007	—Body, license lamp	3.90	11	3110553	—Tail lamp, W/signal, direct	4.95
3	3111003	—Lens, white	.40	11	3110855	—Tl. Imp., W/signal, direct, 48, 58, only	4.95
4	3111004	—Lens, red	.90	12	3110993	—Body	.99
5	3111017	—Gasket, lens, license lamp	.22	12	3110994	—Body, 48, 58, only	.99
6	3111010	—Gasket, lens, stop lamp	.39	13	3107194	—Lens	1.45
7	3111011	—Part. bet. bulbs	.39	13	3107983	—Lens, 48, 58, only	1.45
8	3111012	—Gasket plate	.11	14	3107200	—Door	2.10
9	3111018	—Cover, door	1.60	14	3107981	—Door, 48, 58, only	2.10
10	3109772	—Ornament, L. side	1.60	15	3107192	—Gasket, lens, 40, 42, 43, 50, 53	.20
11	3109445	—Tail lamp, reg.	4.95	15	3107996	—Gasket, lens, 48, 58	.20



# WIRING 1946 to 1948 NASH

## Series 40. ALL BODY STYLES



Item No.	Name
1	Battery
2	Tail light—left
3	Tail light—right
4	Stop light switch
5	Clock (spec. equip.)
6	Gasoline gauge—tank unit
7	Dome light
8	Cigar lighter (spec. equip.)
9	Gasoline gauge—dash unit
10	Instrument panel light bulb
11	Instrument light wire harness
12	Ignition coil and switch
13	Ammeter to ignition switch wire (not used with O. D.)
14	Ignition coil to distributor wire
15	Distributor
16	Ammeter
17	Ammeter to horn relay wire (spec. equip.)
18	Ammeter to overdrive relay wire (spec. equip.)
19	Lighting switch
20	Defroster switch (spec. equip.)
21	Instrument light switch
22	Beam indicator light
23	Head light junction block
24	Overdrive relay (spec. equip. with O. D.)
25	Overdrive relay to horn relay wire (spec. equip. with O. D.)
26	Overdrive switch (spec. equip. with O. D.)
27	Overdrive relay to switch wire (spec. equip. with O. D.)
28	Overdrive relay to ignition switch (spec. equip. with O. D.)
29	Overdrive relay to O. D. solenoid wire (spec. equip. with O. D.)
30	Overdrive solenoid (spec. equip. with O. D.)
31	Horn relay (spec. equip.)
32	Horn relay to connector wire (spec. equip.)
33	Horn—L. H. (spec. equip.)
34	Horn—R. H. (spec. equip.)
35	Horn (std. equip.)
36	Horn to voltage regulator wire
37	Steering gear horn wire
38	Horn button
39	License plate lamp bulb
40	Generator
41	Voltage regulator
42	Starting motor
43	Starting motor to starting switch cable
44	Starting switch to battery cable
45	Battery to body ground cable
46	Body to unit power plant ground cable
47	License plate and stop lamp
48	Stop lamp bulb
49	Head lamp—left With std. parking lamp With deluxe parking lamp
50	Head lamp—right With std. parking lamp With deluxe parking lamp
51	Parking light—left (std. equip.)
52	Parking light—right (std. equip.)
53	Starter switch
54	Foot dimmer switch
55	Fuse block
56	Defroster motor—left (spec. equip.)

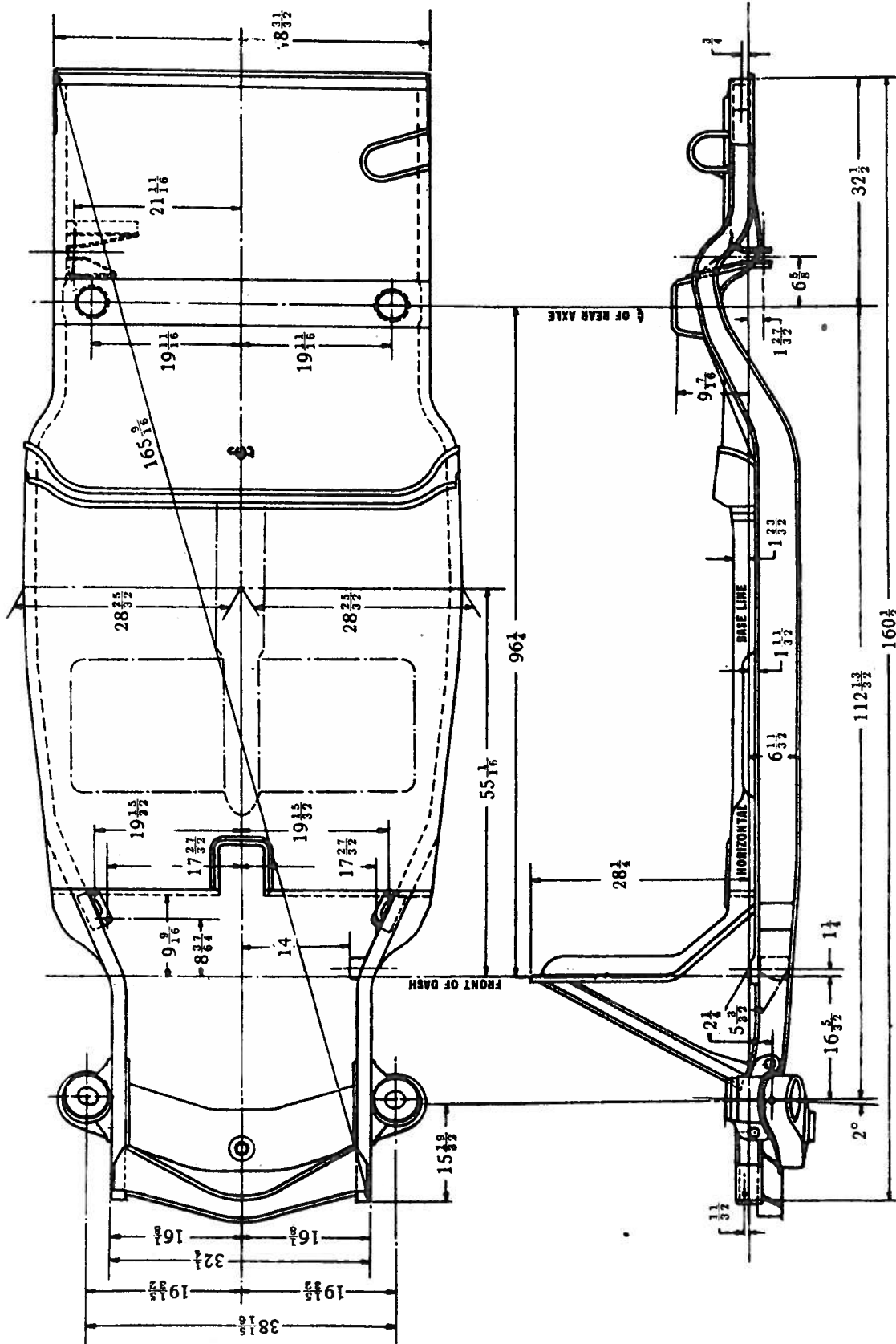
Item No.	Name
57	Defroster motor—right (spec. equip.)
58	Main wiring harness
59	Tail and stop light harness (in body)
60	Two wire connector
61	Parking lamp bulb
62	Ignition switch to defroster switch wire
63	Instrument light switch to dome light wire—red (in body)
64	Ignition wire No. 1
65	Ignition wire No. 2
66	Ignition wire No. 3
67	Ignition wire No. 4
68	Ignition wire No. 5
69	Ignition wire No. 6
70	Temperature gauge—dash unit
71	Temperature gauge—engine unit
72	Oil gauge—dash unit
73	Oil gauge—engine unit
74	Key light wire
75	Key light bulb
76	Speedometer light bulb
77	Package compartment light
78	Package compartment light switch
79	Connector to gasoline gauge wire
80	Fuse—30 amps.
81	Bus bar—gasoline gauge to temperature gauge
82	Fender parking lamp—left (spec. equip.)
83	Fender parking lamp—right (spec. equip.)
84	Stop light socket to connector wire
85	License light socket to connector wire

Wire	Color	Size	Use of Wire
A-A	Orange with 4 black tracers	10	Generator to voltage regulator
B-B	Green with 2 white tracers	14	Generator field to voltage regulator
C-C	Red with 4 white tracers	10	Ammeter to voltage regulator
D-D	Brown with 3 black tracers	12	Dimmer switch to junction block (headlamp—high beam)
E-E	White with 3 black tracers	12	Dimmer switch to junction block (headlamp—low beam)
F-F	Red with 1 white tracer	16	Light switch to junction block (parking light)
G-G	Black with 3 white tracers	12	Light switch to dimmer switch
H-H	Black with 2 white tracers	14	Horn or horn relay to connector
J-J	Green with 1 white tracer	16	Stop light switch to connector
K-K	Green with 1 white tracer	16	Stop light switch to fuse block
L-L	White	18	Dimmer switch to connector (high beam indicator)
M-M	Black with 1 white tracer	18	Fuse block to ignition switch
N-N	Black with 1 white tracer	18	Gas gauge to ignition switch
O-O	Yellow with 1 white tracer	16	Light switch to panel light switch
P-P	Green with 3 white tracers	12	Fuse block to light switch
R-R	Red with 3 white tracers	12	Ammeter to fuse block
S-S	Oak with 4 black tracers	10	Ammeter to starter switch
T-T	Black with 1 white tracer	16	Coil to distributor
U-U	Black with 1 green tracer	16	Oil pressure indicator to engine unit
V-V	Black with 1 red tracer	16	Heat indicator to engine unit
W-W	Black with 1 white tracer	16	Ignition switch to oil gauge
X-X	Green with 1 black tracer	16	Stop light to connector
Y-Y	Blue	18	Light switch to tail and license plate lamp
Z-Z	Yellow and black	18	Gas gauge—dash unit to connector



# NASH 1946 to 1948 FRAME

## Series 40. ALL BODY STYLES



46-47-4840 Series Frame Straightening Dimensions.

# FLAT RATE 1946 to 1948 NASH

## Series 40. ALL BODY STYLES

Chilton Job No.	Chilton Labor Price	Chilton Job No.	Chilton Labor Price	Chilton Job No.	Chilton Labor Price	Chilton Job No.	Chilton Labor Price	Chilton Job No.	Chilton Labor Price	Chilton Job No.	Chilton Labor Price	Chilton Job No.	Chilton Labor Price	Chilton Job No.	Chilton Labor Price	Chilton Job No.	Chilton Labor Price
<b>A</b>		<b>A—continued</b>		<b>A—continued</b>		<b>B—continued</b>		<b>C—continued</b>		<b>C—continued</b>		<b>E</b>		<b>E—continued</b>		<b>F—continued</b>	
1.....	2.00	7.....	2.00	20x.....	10.00	9.....	2.00	2.....	27.00	15.....	1.25	1.....	55.00	11.....	82.00	<b>G</b>	
2.....	1.75	8.....	1.25			10.....	3.25	3.....	21.00			2.....	25.00	12.....	20.00	1.....	85.00
3.....	3.50	9.....	3.50			11.....	3.75	4.....	1.75			3.....	22.00	13.....	1.75	2.....	25.00
4.....	18.50	10.....				12.....	3.00	5.....	4.00			4.....	22.00	14.....	110.00	3.....	23.00
4a.....		11.....	3.00	<b>B</b>		13.....	3.00	6.....	2.00	<b>D</b>		5.....		15.....	100.00	4.....	4.50
4b.....	2.00	12.....	4.50	1.....	8.50	14.....	3.00	7.....	4.00	1.....	3.00	6.....		16.....	2.00	5.....	15.00
4c.....	5.00	13.....	1.50	1a.....	5.50	15.....	1.25	8.....		2.....	2.50	7.....	15.00	17.....		6.....	2.00
5.....	10.00	14.....		2.....	28.00			9.....		3.....	1.75	8.....	15.00	18.....	12.00	7.....	4.00
5a.....	3.00	15.....	.75	3.....	22.00			10.....		4.....	10.00	9.....		19.....	12.00	8.....	70.00
5b.....	4.00	16.....		4.....	1.75	<b>C</b>		11.....	3.25	5.....	7.50	10.....				9.....	4.00
5c.....	3.00	17.....	1.50	5.....	4.00	1.....	7.50	12.....	3.75	6.....	5.50	11.....				10.....	52.00
5d.....	6.00	18.....	12.00	6.....	2.00	1a.....	5.50	13.....	3.75	7.....	7.00	12.....				11.....	52.00
6.....	16.00	19.....	7.50	7.....	2.00			14.....	3.25	8.....	3.00	13.....				12.....	12.00
		20.....	7.50	8.....	4.00					9.....		14.....				13.....	
										10.....						14.....	3.00

### STEERING GEOMETRY

**CAMBER:** 1/4 to 3/4 degree.  
**CASTER:** 1/4 to 3/4 positive.  
**TOE-IN:** 1/8 to 3/16 inches.  
**KING PIN INCLINATION:** 7 1/2 degrees.

#### ADJUSTMENT

Both caster and camber are controlled by the "C" washers at the upper control arm bracket.

Toe-in is adjusted at both tie rods.

