

MERCURY 1952 thru 1953 BODY PARTS

Model MA. ALL BODY STYLES

Front of Car

See Fig. 1

1 HOOD HINGE ASSY. BA-16796-A—1952-53 (right*)	7.67
2 HOOD REAR REINFMT. BC-16668-A—1952-53	8.60
3 HOOD ASSY. (Less ornaments) BC-16612-A—1952	75.45
BG-16612-B—1953	75.45
4 HOOD TOP ORNAMENT BC-16851-C—1952-53	
5 HOOD ORNAMENT RETAINER BC-16890-A—195219
6 HOOD LOWER FRONT ORNAMENT BC-16915-A—1952	2.62
7 HOOD ORNAMENT WING ASSY. BC-16852-C—1952-53	8.00
8 HOOD FRONT ORNAMENT BC-16637-A—1952-53	1.84
9 HOOD FRONT ORNAMENT RETAINER BC-16644-B—1952-53	1.28
10 HOOD FRONT LETTERS BC-16606-G—1952-53, M.....	.24
BC-16606-H—1952-53, E.....	.24
BC-16606-J—1952-53, R (use twice)24
BC-16606-K—1952-53, C.....	.24
BC-16606-L—1952-53, U.....	.24
BC-16606-M—1952-53, Y.....	.24
11 HOOD LOCK SPRING (7½ coils) BA-16925-A—1952-5318
12 HOOD LOCK SPRING GUIDE 16H-16927—1952-5328
13 HOOD LOCK DOWEL BA-16929-A—1952-5384
14 HOOD AUXILIARY CATCH HOOK BC-16892-A—1952-5386
15 HEADLAMP DOOR FAB-13045-A—1952, chrome..	8.65
FAB-13063-A—1952, outer....	1.69
16 HOOD FRONT LOWER MLDG. BD-16856-A—1952	2.38
BG-16856-A—1953, clip on....	1.69
17 FENDER FRONT MLDG. BC-16164-A—1952 (right*)...	.91
BG-16164-A—1953, clip on (right*)91

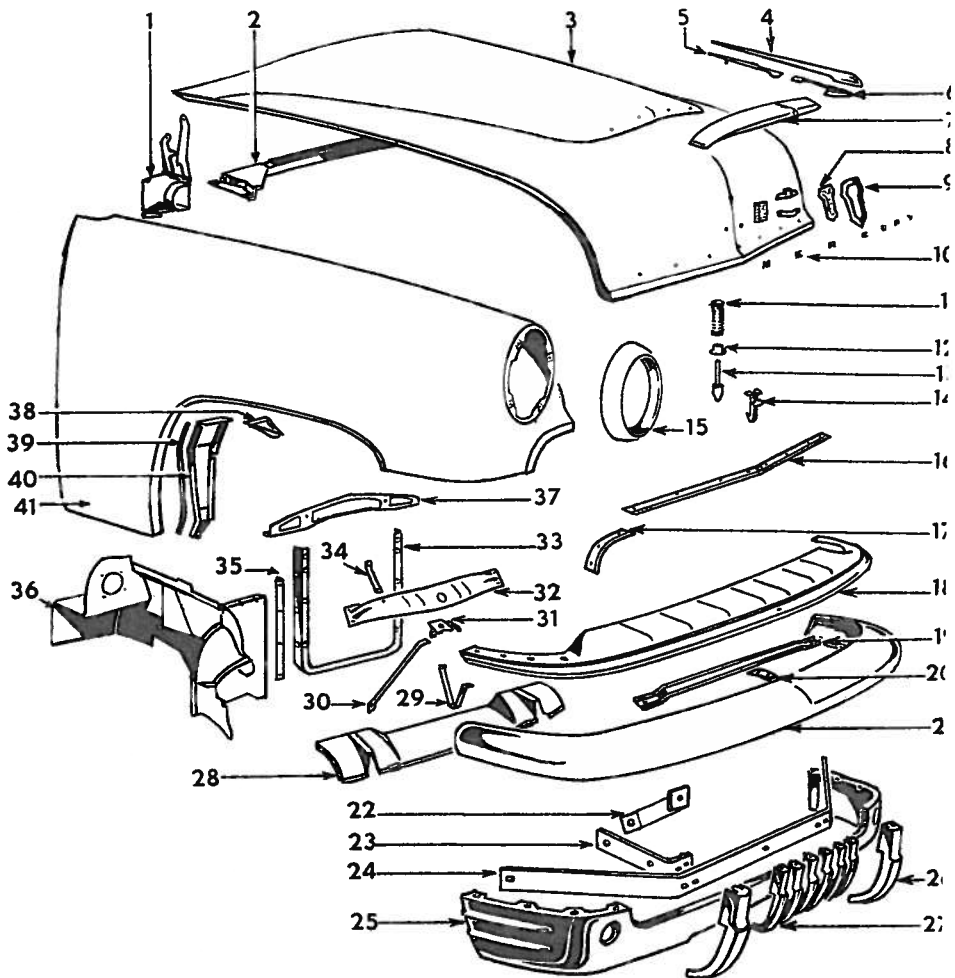


Fig. 1—Front of Car

18 BUMPER STONE DEFLECTOR BC-17744-A—1952	10.80	25 BUMPER LOWER IMPACT BAR BC-17802-C—1952	42.0
BG-17744-A—1953	10.80	BG-17802-A—1953	42.0
19 BUMPER GRILLE BAR SUPT. BC-17884-A—195250	26 BUMPER GUARD ASSY. BC-17996-A—1952-53 (right*)..	5.1
20 BUMPER UPPER IMPACT BAR BC-17762-B—1952	31.62	27 BUMPER GRILLE BAR BC-17820-A—1952	2.7
BG-17762-A—1953	32.47	28 RADIATOR SPLASH SHIELD BC-8209-B—1952-53	13.4
21 NOT LISTED		29 STONE DEFLECTOR TO RAD. SPLASH SHIELD SUPT. BC-17890-A—1952-533
22 BUMPER UPPER HANGER BC-17770-A—1952-53	1.70	30 HOOD LOCK SUPT. BRACE BC-16864-A—1952-53 (right*)..	.2
23 BUMPER INNER HANGER		31 HOOD LOCK ASSY. BD-16700-A—1952-53	1.7
24 BUMPER OUTER HANGER BC-17754-A—1952, 6 holes....	5.84		
BC-17754-B—1952-53, 8 holes..	6.47		

* Opposite side one part number higher

BODY PARTS 1952 thru 1953 MERCURY

Model MA. ALL BODY STYLES

HOOD LOCK SUPT. BC-16717-A—1952-53	2.31
FENDER APRON & RAD. SUPT. MA-16138-B—1952-53	5.59
RADIATOR ASSY. MA-8005-A—1952-53, std. trans.	86.20
MA-8005-B—1952-53, Merc-o-matic	86.20
HOOD LOCK TO AIR DEFL. BRACE BC-16898-A—1952-53 (right*)	.16
RAD. AIR SIDE INNER DESFL. SUPT. BC-8128-A—195236
FENDER APRON & DEFLECTOR BC-16082-A—1952-53 (right*)	17.66
RAD. UPPER AIR DEFL. BC-8327-A—1952-53	3.14

FENDER OPENING REAR BRACE BA-16174-A—1952-53 (right*)	.67
---	-----

FENDER REAR SPLASH SHIELD BA-16106-A—1952-53 (right*)	1.53
---	------

FENDER REAR SPLASH SHIELD WTHSTP. BA-16110-A—1952-5316
--	-----

FENDER ASSY. (Less cowl top brkt.) BC-16008-A—1952 (right*)... BG-16008-B—1953 (right*)....	38.35 38.35
--	----------------

Sheet Metal

*Body Type—73—Four Door Sedan
See Fig. 2*

ROOF SIDE DRIP MLDG. BA-7351700-A—1952-53 (right*)	1.14
ROOF SIDE INNER RAIL BA-7351212-B—1953 (right*)..	3.70
ROOF OUTER SIDE RAIL BA-7351186-B—1953 (right*)..	2.20
INNER UPPER BODY PILLAR BA-7002522-B—1952 (right*).. BA-7002522-C—1953 (right*)..	3.60 3.60
UPPER OUTER BODY PILLAR BA-7002516-B—1952-53 (right*)	2.05
COWL TOP PANEL BA-7002010-B—1952	26.76
BA-7002010-C—1953	26.76

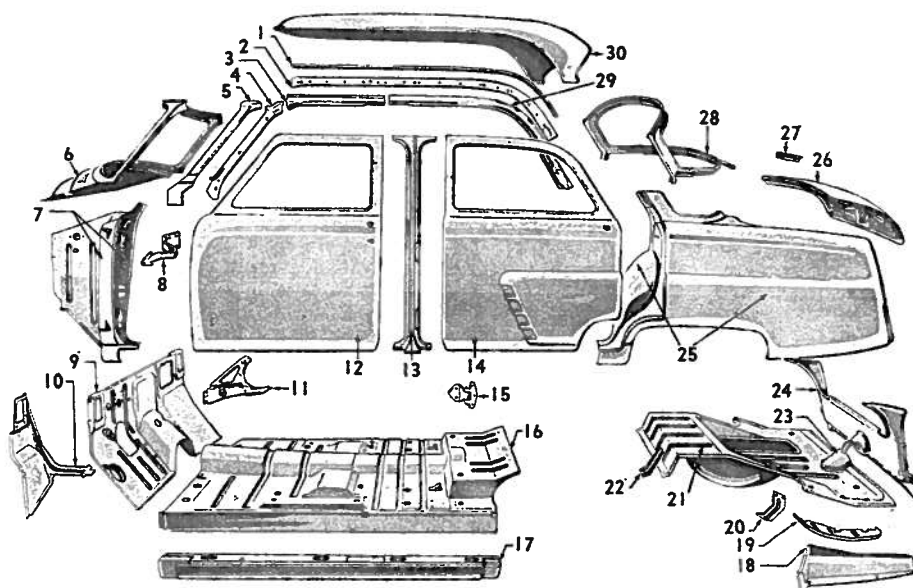


Fig. 2—Sheet Metal— 4 Door

7 COWL SIDE PILLAR & PANEL BA-7002042-B—1952 (right*).. BC-7002042-B—1953 (right*)..	13.94 15.69
8 FRONT DOOR HINGE ASSY. BA-7022800-B—1952-53 (right*)	4.87
9 DASH PANEL ASSY. BG-7001610-A—1953 (right*)..	11.29
10 DASH TO FRAME BRACE BA-7001714-C—1952-53 (right*)	5.92
11 BRAKE PEDAL SUPT. BA-7001508-E—1952, std. trans. BA-7001508-D—1952, Merc-o-matic	5.00 5.00 5.00
12 FRONT DOOR ASSY. (Prime, less trim & hdw.) BC-7320122-B—1952-53 (right*)	77.50
13 CENTER BODY PILLAR BF-7324300-B—1952-53 (right*)	17.25
14 REAR DOOR ASSY. (Prime, less trim & hdw.) BC-7324622-A—1952 (right*).. BG-7324622-B—1953 (right*)..	67.25 67.25
15 REAR DOOR HINGE BA-7326800-A—1952-53 (right*)	2.55

16 FRONT FLOOR PLAN BF-7011135-A—1953	71.13
17 ROCKER PANEL ASSY. BF-7310128-A—1952-53 (right*)	8.65
18 REAR FLOOR TO QTR. PANEL EXTEN. BC-7011250-A—1952-53 (right*)	1.45
19 REAR FLOOR TO QTR. PANEL FILLER BC-7011228-B—1952-53 (right*)86
20 LUGGAGE COMPT. DOOR HINGE BRKT. BA-7042704-B—1952-53 (right*)33
21 REAR FLOOR PAN BC-7011215-A—1952-53	31.66
22 No. 9 BODY BOLT REINFMT. BA-7011302-B—195225
23 FUEL TANK FILLER PIPE HOUSING BC-7011310-A—1952-53	1.16
24 LOWER BACK BODY PANEL BC-7049320-A—1952	9.78
BC-7040320-C—1953	9.55

continued

* Opposite side one part number higher

MERCURY 1952 thru 1953 BODY PARTS

Model MA. ALL BODY STYLES

Sheet Metal—continued

25 WHEELHOUSE & QTR. PANEL (Complete)	
BC-7327700-A—1952 (right*)	65.00
BG-7327700-A—1953 (right*)	65.00
26 LUGGAGE COMPT. DOOR	
BC-7040110-A—1952	25.12
BG-7040110-A—1953	31.38
27 LUGGAGE COMPT. DOOR HINGE SUPT.	
BC-7042794-B—1952-53 (right*)	.38
28 BACK WINDOW FRAME & UPPER PANEL	
BA-7042202-A—1952	14.15
BA-7042206-B—1953	16.40
29 REAR SIDE OUTER RAIL	
BA-7351216-A—1952-53 (right*)	2.10
30 ROOF PANEL ASSY.	
BA-7050200-A—1952-53	58.62
FUEL TANK ASSY.	
MA-9002-B—1952, alternate w/MA-9002-C	21.19
MA-9002-C—1952, alternate w/MA-9002-B	22.45
MA-9002-D—1953	19.59

Moldings, Glass & Wheels

Four Door Sedan
See Fig. 3

1 PARKING LAMP ASSY.	
FAB-13200-A—1952-53, chrome (right*)	5.95
FAB-13200-B—1952, polished steel (right*)	5.95
Note: Alternate in pairs due to material shortage.	

PARKING LAMP LENS RETAINER	
FAB-13223-A—1952-53	1.19

PARKING LAMP LENS	
FAB-13208-A—1952-53	.16

2 HEADLAMP DOOR	
FAB-13045-A—1952, chrome	8.16
FAB-13045-B—1952, rustless steel	8.16
Note: Alternate material due to shortage.	
FAB-13063—1953 (out.)	1.69

SEALED BEAM UNIT	
09A-13007—1952-53	1.43

3 HOOD FRONT ORNAMENT	
BC-16637-A—1952-53	1.84

HOOD TOP ORNAMENT WING ASSY.	
BC-16852-C—1952-53	8.00

4 WINDSHIELD BELT MLDG.	
BA-7003148-A—1952-53 (right*)	2.33

5 WINDSHIELD GLASS	
BA-7003100-B—1952-53, clear	43.60
BC-7003100-A—1952-53, green tinted	54.10

6 WINDSHIELD OUTER TOP MLDG.	
BA-7003144-B—1952-53	2.40

7 WINDSHIELD SIDE MLDG.	
BC-7303136-B—1952-53, 73C (right*)	3.02

WINDSHIELD WTHSTP.	
BA-7003110-D—1952	5.72
BA-7003110-F—1953	5.72

8 FRONT DOOR VENT. FRAME & GLASS ASSY.	
BA-7021406-A—1952-53 (right*)	!

9 FRONT DOOR VENT. GLASS	
BA-7021412-A—1952-53	!

10 FRONT DOOR GLASS DIV. BAR R	
BA-7021546-A—1952-53	!

FRONT DOOR GLASS CHAN. & BRK	
BA-7321458-A—1952-53 (right*)	!

11 FRONT DOOR GLASS	
BA-7321410-A—1952-53	!

12 ROOF DRIP FINISH SIDE MLDG.	
BC-7351726-B—1952, 73C (right*)	!
BC-7351726-C—1953, 73B (right*)	!

13 REAR DOOR GLASS	
BA-7325712-A—1952-53	!

14 REAR DOOR WINDOW VENT. DIV BAR	
BA-7326902-A—1952-53 (right*)	!

REAR DOOR GLASS CHAN. & BRKT	
BA-7326228-A—1952-53 (right*)	!

15 REAR DOOR VENT. GLASS	
BA-7326870-A—1952-53	!

16 REAR DOOR VENT. FRAME & GLASS ASSY.	
BA-7326876-A—1952-53 (right*)	!

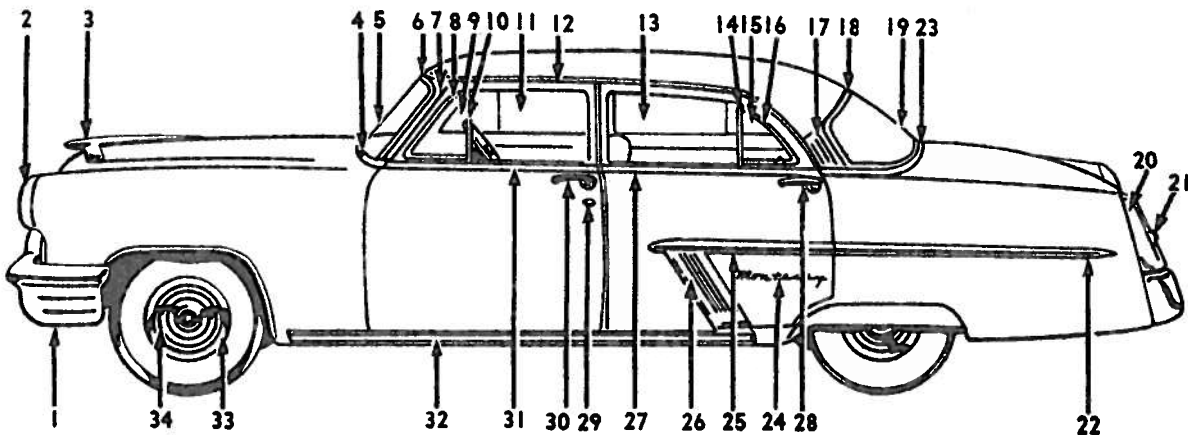


Fig. 3—Moldings, Glass & Wheels—4 Door

* Opposite side one part number higher

BODY PARTS 1952 thru 1953 MERCURY

Model MA. ALL BODY STYLES

ROOF SIDE ORNAMENT PANEL	
BC-7350254-B—1952-53 (right*)	2.29
BACK WINDOW UPPER MLDG.	
BA-7042430-A—1952-53 (right*)	1.66
BACK WINDOW LOWER MLDG.	
BA-7042404-B—1952	1.60
BA-7042404-B—1953 (right*) ..	1.60
BACK WINDOW GLASS	
BA-7042006-B—1952-53, clear. . .	25.75
BC-7042006-A—1952-53, green tinted	30.70
BACK WINDOW WTHSTP.	
BA-7042084-D—1952	6.10
BA-7042084-F—1953	5.97
REAR LAMP DOOR	
FAA-13446-A—1952-53	5.53
REAR LAMP LENS	
FAB-13450-A—1952-53, upper "MRST-52"36
FAA-13542—1952-53, lower "MB-52"33
REAR QUARTER MLDG.	
BC-7329038-A—1952	3.88
BG-7329038-A—1953 (right*) ..	2.88
QUARTER PANEL BELT MLDG.	
BA-7329034-A—1952-53 (right*)	1.98
BODY SIDE NAME PLATE	
BC-7325622-C—1952-53 "Monterey"	1.67
BC-7325622-B—1952-53 "Mercury"	1.02
REAR DOOR LOWER MLDG.	
BC-7325556-A—1952 (right*) ..	3.21
BG-7325556-A—1953 (right*) ..	2.16
BODY SIDE ORNAMENT	
BC-7325612-A—1952 (right*) ..	5.81
BG-7922516-A—1953 (right*) ..	5.81
REAR DOOR BELT MLDG.	
BA-7325554-A—1952-53 (right*)	1.38
REAR DOOR HANDLE	
BC-7326600-B—1952-53 (right*)	3.22
FRONT DOOR LOCK CYL. & KEYS	
BC-7021984-B—1952-53 (right*)	1.84

30 FRONT DOOR HANDLE	
BC-7022400-B—1952-53 (right*)	3.29
31 FRONT DOOR BELT MLDG.	
BA-7320934-A—1952-53 (right*)	1.41
32 ROCKER PANEL MLDG.	
BC-7010176-A—1952 (right*) ..	5.79
BG-7010176-A—1953 (right*) ..	5.95
33 WHEEL ASSY. (Prime)	
MA-1015-BP—1952-53	7.50
34 HUB CAP	
MA-1130-B—1952, 10 21/32 in. O. D.	4.15
MA-1130-C—1952, 15 1/8 in. O. D.	4.88
MA-1130-D—1953, 15 1/8 in. O. D.	4.88

4 OUTER ROOF SIDE RAIL	
BA-7051186-A—1952 (right*) ..	1.50
BA-7051186-B—1953 (right*) ..	1.50
5 UPPER INNER PILLAR ASSY.	
BA-7002522-A—1952 (right*) ..	3.60
BA-7002522-C—1953 (right*) ..	3.60
6 UPPER OUTER PILLAR	
BA-7002516-B—1952-53 (right*)	2.05
7 COWL TOP PANEL	
BA-7002010-B—1952	26.76
BA-7002010-C—1953
8 DOOR HINGE ASSY.	
BA-7022800-B—1952-53 (right*)	4.87
9 COWL SIDE PILLAR & PANEL ASSY.	
BC-7002042-B—1952-53 (right*)	15.69
10 DASH TO FRAME BRACE	
BA-7001714-C—1952-53 (right*)	5.92
11 DASH PANEL ASSY.	
BG-7001610-A—1952	11.29
12 ROCKER PANEL ASSY.	
BA-7010128-A—1952-53 (right*)	5.25
13 FRONT FLOOR PAN	
BF-7011135-A—1952-53	73.13

Sheet Metal

*Body Type—70—Two Door Sedan
See Fig. 4*

1 ROOF PANEL ASSY.	
BA-7050200-A—1952-53	58.62
2 ROOF SIDE DRIP MLDG.	
BA-7051700-A—1952-53 (right*)85
3 INNER ROOF SIDE RAIL	
BA-7051184-B—1952 (right*) ..	.73
BA-7051184-C—1953 (right*) ..	.73

continued

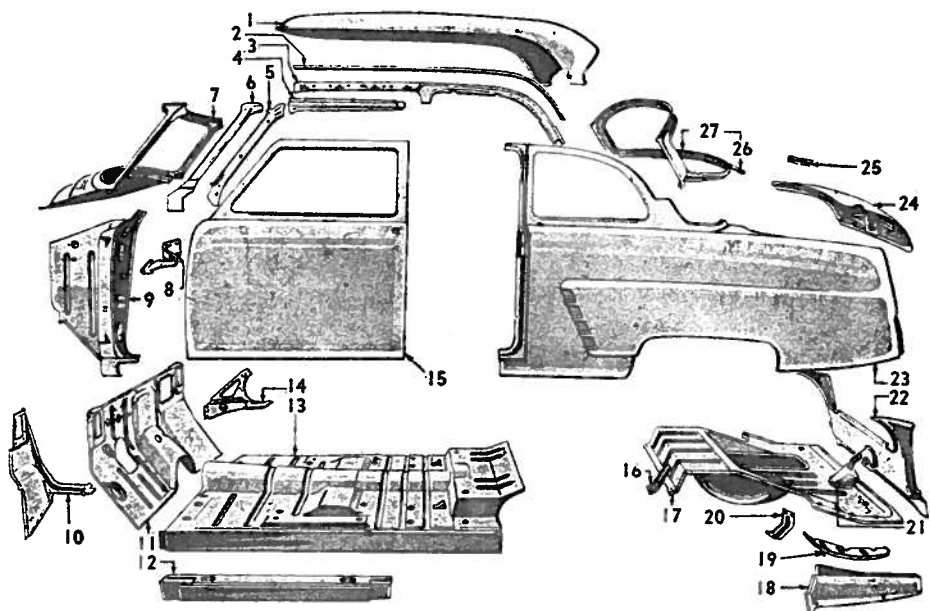


Fig. 4—Sheet Metal—2 Door

* Opposite side one part number higher

MERCURY 1952 thru 1953 BODY PARTS

Model MA. ALL BODY STYLES

Sheet Metal—continued

14 BRAKE PEDAL SUPT. BA-7001508-E—1952, std. trans.	5.05
BA-7001508-D—1952, Merc-o- matic	5.05
BA-7001508-G—1953	5.05
15 DOOR ASSY. (Prime, less trim & hdw.) BC-7020122-B—1952-53 (right*)	77.50
16 BODY BOLT NO. 9 FLOOR PAN REINFMT. BA-7011302-B—195225
17 REAR FLOOR PAN ASSY. BC-7011215-A—1952-53	31.66
18 REAR FLOOR PAN TO QTR. PANEL EXTEN. BC-7011250-A—1952-53 (right*)	1.45
19 REAR FLOOR TO QTR. PANEL FILLER BC-7011228-B—1952-5386
20 LUGGAGE COMPT. DOOR HINGE BRKT. BA-7042704-B—1952-53 (right*)33
21 FUEL TANK FILLER PIPE HOUSING BC-7011310-A—1952-53	1.16
22 LOWER BACK PANEL BC-7040320-C—1952-53	9.64
23 WHEELHOUSE & QTR. PANEL ASSY. BC-7027700-C—1952 (right*) .	85.00
BG-7027700-D—1953 (right*) .	85.00
24 LUGGAGE COMPT. DOOR ASSY. BC-7040110-A—1952-53	25.12
25 LUGGAGE COMPT. DOOR SUPT. BC-7042794-B—1952-53 (right*)38
26 UPPER BACK BODY PANEL BA-7040314-A—1952-53	3.37
27 BACK WINDOW FRAME & UPPER BACK PANEL BA-7042206-B—1953	16.40
FUEL TANK ASSY. 8M-9002-A—1952, wedge shape	24.95
MA-9002-D—1953	19.57

Sheet Metal

Body Type—60—Coupe

See Fig. 5

1 ROOF PANEL ASSY. BA-6050200-A—1952-53	77.90
2 ROOF SIDE DRIP MLDG. BA-6051700-A—1952-53 (right*)	1.02
3 ROOF SIDE INNER RAIL BC-6051184-A—1952-53 (right*)	5.84
4 UPPER OUTER PILLAR ASSY. BC-6002536-A—1952 (right*) .	4.02
BA-6002536-A—1953 (right*) .	4.95
5 COWL TOP PANEL BA-6002010-C—1952	35.70
BA-6002010-C—1953	35.70
6 UPPER INNER PILLAR ASSY. BA-6002522-A—1952-53 (right*)	3.30
7 OUTER RAIL ASSY. BA-6051218-A—1952-53 (right*)	5.85
8 BACK W/W FRAME & UPPER PANEL BA-6042202-B—1952-53	23.65
9 UPPER BACK PANEL BA-6040314-A—1952-53	3.79

10 DOOR HINGE SUPT. BC-7042794-B—1952-53 (right*)	
11 LUGGAGE COMPT. DOOR BC-7040110-A—1952-53	25.
12 LOWER BACK PANEL BC-7040320-C—1952-53	9.
13 TANK FILLER PIPE HOUSING BC-7011310-A—1952-53	1.
14 FLOOR PAN REINFMT. BOLT NO. 9 BA-7211302-A—1952-53	
15 REAR FLOOR PAN BC-7011215-A—1952-53	31.
16 WHEELHOUSE & QUARTER PANEL ASSY. BC-6027700-A—1952 (right*) .	160.
BG-6027700-B—1953 (right*) .	95.
17 QUARTER PANEL LOCK SIDE REINFMT. BA-7628200-A—1952-53 (right*)	5.
18 BRAKE PEDAL SUPT. BA-7001508-E—1952, std. trans.	4.
BA-7001508-D—1952, Merc-o- matic	5.
BA-7001508-G—1953	4.

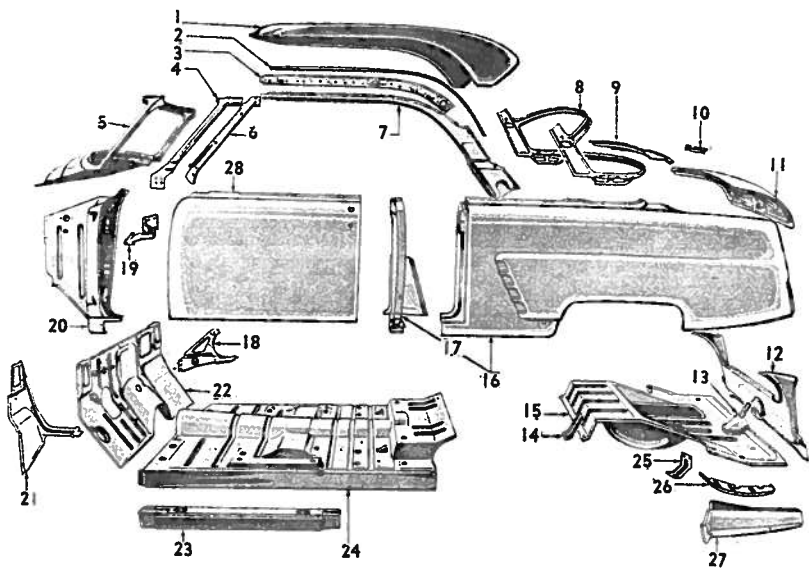


Fig. 5—Sheet Metal—Coupe

* Opposite side one part number higher

BODY PARTS 1952 thru 1953 MERCURY

Model MA. ALL BODY STYLES

<p>19 DOOR HINGE BA-7022800-B—1952-53 (right*) 4.87</p> <p>20 COWL SIDE PILLAR & PANEL ASSY. BC-7002042-B—1952-53 (right*) 15.69</p> <p>21 DASH TO FRAME BRACE BA-7001714-C—1952-53 (right*) 5.92</p> <p>22 DASH PANEL ASSY. BG-7001610-A—1952-53 11.29</p> <p>23 ROCKER PANEL ASSY. BA-7610128-A—1952-53 (right*) 4.80</p> <p>24 FRONT FLOOR PAN BA-761113C-A—1952 59.67 BF-7611135-A—1953 95.25</p> <p>25 LUGGAGE COMPT. DOOR HINGE BRKT. BA-7042704-B—1952 (right*)33 BA-7042704-B—1953 (right*)33</p> <p>26 REAR FLOOR TO QTR. PANEL FILLER BC-7011228-B—1952-53 (right*)86</p> <p>27 REAR FLOOR PAN TO QTR. PANEL EXTEN. BC-7011250-A—1952-53 (right*) 1.45</p>	<p>28 DOOR ASSY. (Prime, less trim & hdw.) BC-7620122-B—1952 (right*) 77.50 BC-7620122-D—1953 (right*) 77.50</p> <p>FUEL TANK ASSY. 8M-9002-A—1952, wedge shape 24.95 8M-9002-A—1952 24.95 MA-9002-D—1953 19.59</p> <p style="text-align: center;">Moldings, Glass and Wheels <i>Body Type—60, 70—Two Door & Coupe</i> <i>See Fig. 6</i></p> <p>1 PARKING LAMP ASSY. FAB-13200-A—1952-53, chrome (right*) 5.95 FAB-13200-B—1952, polished steel (right*) 5.95</p> <p>PARKING LAMP LENS RETAINER FAB-13223-A—1952-53 1.19</p> <p>PARKING LAMP LENS FAB-13208-A—1952-5316</p> <p>2 HEADLAMP DOOR FAB-13045-A—1952, chrome 8.16 FAB-13045-B—1952, rustless steel 8.16 FAB-13063-A—1953 (out.) 1.69</p> <p>SEALED BEAM UNIT 09A-13007—1952-53 1.43</p> <p>3 HOOD FRONT ORNAMENT BC-16637-A—1952-53 1.60</p> <p>HOOD TOP ORNAMENT WING BC-16852-C—1952-53 8.00</p>	<p>4 WINDSHIELD BELT MLDG. BA-7003148-A—1952-53 (right*) 2.33</p> <p>5 WINDSHIELD UPPER MLDG. BA-7603144-B—1952-53, 60 2.05 BA-7003144-B—1952-53, 70 (right*) 2.40</p> <p>6 WINDSHIELD GLASS BA-7603100-B—1952-53, 60, clear 55.48 BC-7603100-A—1952-53, 60, green tinted 49.05 BA-7003100-B—1952-53, 70, clear 43.60 BC-7003100-A—1952-53, 70, green tinted 54.10</p> <p>7 WINDSHIELD SIDE MLDG. BA-7603136-C—1952-53, 60 (right*) 2.65</p> <p>8 DOOR VENT. FRAME & GLASS BA-7621406-A—1952-53, 60 (right*) 9.15 BA-7021406-A—1952-53, 70 (right*) 9.55</p> <p>9 DOOR VENT. GLASS BA-7621412-A—1952-53, 60 2.65 BA-7021412-A—1952-53, 70 2.55</p> <p>10 DOOR GLASS DIV. BAR BA-7621546-A—1952-53, 60 1.65 BA-7021546-A—1952-53, 70 1.21</p> <p>11 DOOR WINDOW GLASS BA-7621410-C—1952-53, 60 6.52 BA-7021410-A—1952, 70 6.75</p> <p>12 FRONT DOOR GLASS CHAN. & BRKT. BA-7621458C—1952, 60 (right*) 1.30</p> <p style="text-align: right;"><i>continued</i></p>
--	--	--

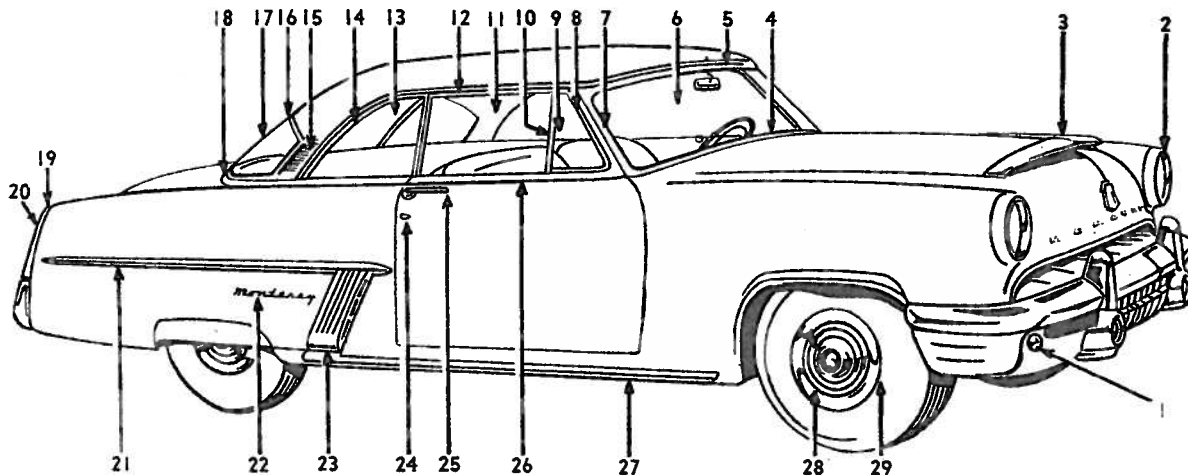


Fig. 6—Moldings, Glass & Wheels—2 Door & Coupe

* Opposite side one part number higher

MERCURY 1952 thru 1953 BODY PARTS**Model MA. ALL BODY STYLES****Moldings, Glass and Wheels**
—continued

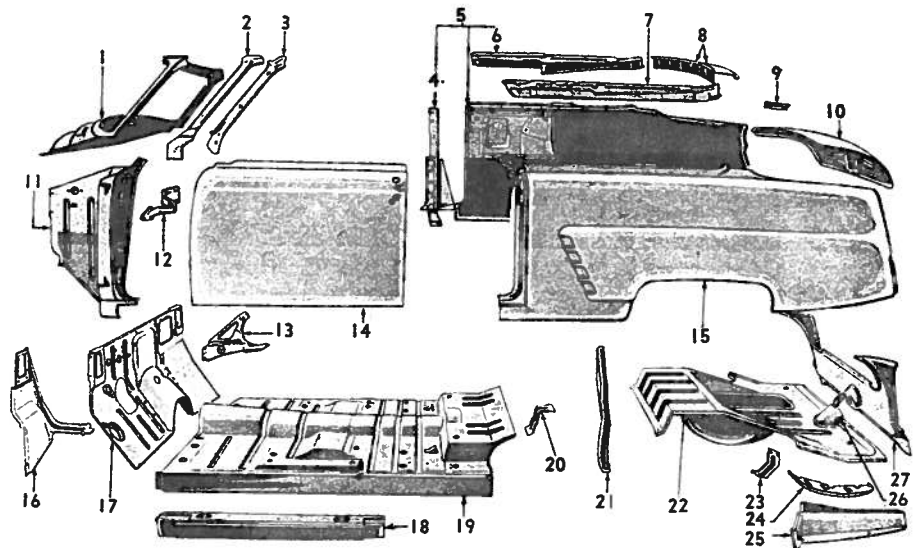
BA-7021458-A—1952-53, 70 (right*)	1.02
BA-7621458-C—1953, 70 (right*)	1.30
13 QUARTER WINDOW GLASS	
BA-7629710-A—1952-53, 60 ...	5.55
BA-7029710-A—1952-53, 70 ...	8.10
14 QUARTER W/W FRONT & REAR CHAN. ASSY.	
BA-7629962-D—1952-53, 60 (right*)	9.55
QUARTER W/W LOWER CHAN.	
BA-7629958-C—1952, 60 (right*)	8.20
BA-7629958-C—1953, 60 (right*)	8.20
15 ROOF SIDE ORNAMENT PANEL	
BC-6050254-A—1952, 60, 16 ridges (right*)	2.98
BC-7350254-B—1952-53, 70, 3 ridges (right*)	2.29
BC-6050254-C—1953, 60, 16 ridges (right*)	3.98
16 BACK WINDOW UPPER MLDG.	
BC-6042430-A—1952, 60 (right*)	3.53
BA-7042430-A—1952, 70 (right*)	1.66
BC-6042430-A—1953	3.53
BACK WINDOW DIV. BAR MLDG.	
BA-6042402-A—1952, 60 (right*)	1.21
17 BACK WINDOW GLASS	
BA-6042026-B—1952, 60, clear (right*)	7.15
BC-6042026-A—1952, 60, green tinted (right*)	8.05
BA-6042006-B—1952, 60, clear (center)	19.40
BC-6042006-A—1952, 60 green tinted (center)	23.00
BA-7042006-B—1952, 70, clear (center); 1953, 70	25.75
BC-7042006-A—1952, 70, green tinted (center); 1953, 70 ...	30.70
BG-6042006-A—1953, 60, clear.	41.00
BG-6042006-B—1953, 60, tinted green	47.10
18 BACK BELT MLDG.	
BA-6040242-A—1952-53, 60 (right*)	2.22
BA-7029034-A—1952-53, 70 (right*)	2.97
19 REAR LAMP DOOR	
FAA-13446-A—1952-53	5.53

20 REAR LAMP LENS	
FAB-13450-A—1952-53, upper.	.36
FAA-13542-A—1952, lower33
21 QUARTER LOWER MLDG.	
BC-7029038-A—1952 (right*) .	6.03
BG-7029038-A—1953 (right*) .	4.48
22 BODY SIDE NAME PLATE	
BC-7325622-C—1952-53 "Monterey"	1.67
BC-7325622-B—1952-53 "Mercury"	1.02
23 BODY SIDE ORNAMENT	
BC-7325612-A—1952 (right*) .	5.81
BC-7325622-C—1953, Monterey	1.67
BC-7325622-B—1953, Mercury.	1.02
24 DOOR LOCK CYL. & KEYS	
BC-7021984-B—1952-53 (right*)	1.84
25 DOOR HANDLE	
BC-7022400-B—1952-53 (right*)	3.29
26 DOOR BELT MLDG.	
BA-7020934-A—1952-53, 70 (right*)	1.52
BC-7621010-A—1952-53, 60 (right*)	4.07
27 ROCKER PANEL MLDG.	
BC-7010176-A—1952 (right*) .	5.79
BG-7010176-A—1953 (right*) .	5.95
28 WHEEL ASSY. (Prime)	
MA-1015-BP—1952-53	7.50

29 HUB CAP	
MA-1130-B—1952, 10 21/32 in. O. D.	4.15
MA-1130-C—1952, 15 1/8 in. O. D.	4.88
MA-1130-D—1953, 15 1/8 in. O. D.	4.88

Sheet Metal*Body Type—76—Convertible**See Fig. 7*

1 COWL TOP PANEL	
BA-7602010-B—1952	26.75
BA-7602010-C—1953	26.75
2 UPPER OUTER PILLAR ASSY.	
BC-7602536-B—1952 (right*) .	3.16
BA-7602536-C—1953 (right*) .	3.10
3 UPPER INNER PILLAR ASSY.	
BA-7602522-A—1952-53 (right*)	3.45
4 QTR. PANEL LOCK SIDE REINFMT.	
BA-7628200-A—1952-53 (right*)	5.25
5 COMPLETE WH'HOUSE & QTR. PANEL	
BC-7627700-A—1952 (right*) .	95.00
BG-7627700-B—1953 (right*) .	95.00
6 BELT SIDE RAIL	
BA-7641732-A—1952-53 (right*)	10.90
7 SEE ITEM NO. 6	

**Fig. 7—Sheet Metal—Convertible**

* Opposite side one part number higher

BODY PARTS 1952 thru 1953 MERCURY Model MA. ALL BODY STYLES

<p>8 CENTER BELT RAIL & UPPER BACK PANEL BA-7641724-A—1952-53 (right*) 8.62</p> <p>9 LUGGAGE COMPT. DOOR HINGE SUPT. BC-7042794-B—1952-53 (right*)38</p> <p>10 LUGGAGE COMPT. DOOR BC-7040110-A—1952 25.12 BG-7040110-A—1953 31.38</p> <p>11 COWL SIDE PILLAR ASSY. BC-7002042-B—1952-53 (right*) 15.69</p> <p>12 DOOR HINGE ASSY. BA-7022800-B—1952-53 (right*) 4.87</p> <p>13 BRAKE PEDAL SUPT. BA-7001508-E—1952, std. trans. 4.75 BA-7001508-D—1952, Merc-o-matic 5.15 BA-701508-G—1953 4.90</p> <p>14 DOOR ASSY. (Prime, less trim & hdw.) BC-7620122-B—1952 (right*) 77.50 BC-7620122-D—1953 77.50</p> <p>15 SEE ITEM NO. 5</p> <p>16 DASH TO FRAME BRACE BA-7001714-C—1952-53 (right*) 5.92</p> <p>17 DASH PANEL ASSY. BG-7001610-A—1952-53 11.29</p> <p>18 ROCKER PANEL ASSY. BA-7610128-A—1952-53 (right*) 4.80</p>	<p>19 FRONT FLOOR PAN ASSY. BA-7611135-A—1952 59.67 BF-7611135-D—1953 95.25</p> <p>20 REAR SEAT BACK SUPT. BRACE BRKT. BA-7662448-A—1952-5322</p> <p>21 TOP MAIN PIVOT BRKT. SUPT. BA-7653156-A—1952-53 (right*) 5.26</p> <p>22 REAR FLOOR PAN ASSY. BC-7011215-A—1952-53 31.66</p> <p>23 LUGGAGE COMPT. DOOR HINGE BRKT. BA-7042704-B—1952-53 (right*)33</p> <p>24 REAR FLOOR TO QTR. PANEL FILLER BC-7011228-B—1952-53 (right*)86</p> <p>25 REAR FLOOR TO QTR. PANEL EXTEN. BC-7011250-A—1952-53 (right*) 1.45</p> <p>26 FUEL TANK FILLER PIPE HOUSING BC-7011310-A—1952-53 1.16</p> <p>27 LOWER BACK BODY PANEL BC-2040320-B—1952 9.64 BC-7040320-C—1953 9.55</p> <p>FUEL TANK ASSY. MA-9002-B—1952, alternate w/MA-9002-C 21.19 MA-9002-C—1952, alternate w/MA-9002-B 22.45 MA-9002-D—1953 19.59</p>
--	--

Moldings, Glass & Wheels

*Body Type—76—Convertible
See Fig. 8*

<p>1 PARKING LAMP ASSY. FAB-13200-A—1952-53, chrome (right*) 5.95 FAB-13200-B—1952, polished steel (right*) 5.95</p> <p>PARKING LAMP LENS RETAINER FAB-13223-A—1952-53 1.19</p> <p>PARKING LAMP LENS FAB-13208-A—1952-53 (right*)16</p> <p>2 HEADLAMP DOOR FAB-13045-A—1952, chrome.. . . . 8.16 FAB-13045-B—1952, rustless steel 8.16 FAB-13063-A—1952-53 (out.) 1.69</p> <p>SEALED BEAM UNIT 09-A—13007—1952-53 1.43</p> <p>3 HOOD FRONT ORNAMENT BC-16637-A—1952-53 1.60</p> <p>HOOD TOP ORNAMENT WING BC-16852-C—1952-53 8.00</p> <p>4 WINDSHD. GLASS BA-7603100-B—1952-53, 76, clear 55.48 BC-7603100-A—1952-53, 76, green tinted 49.05</p> <p>WINDSHD. GLASS WTHSTP. BA-7603110-C—1952-53, 76 5.10</p> <p>5 WINDSHD. UPPER MLDG. BA-7603144-B—1952-53, 76... 2.05</p>

continued

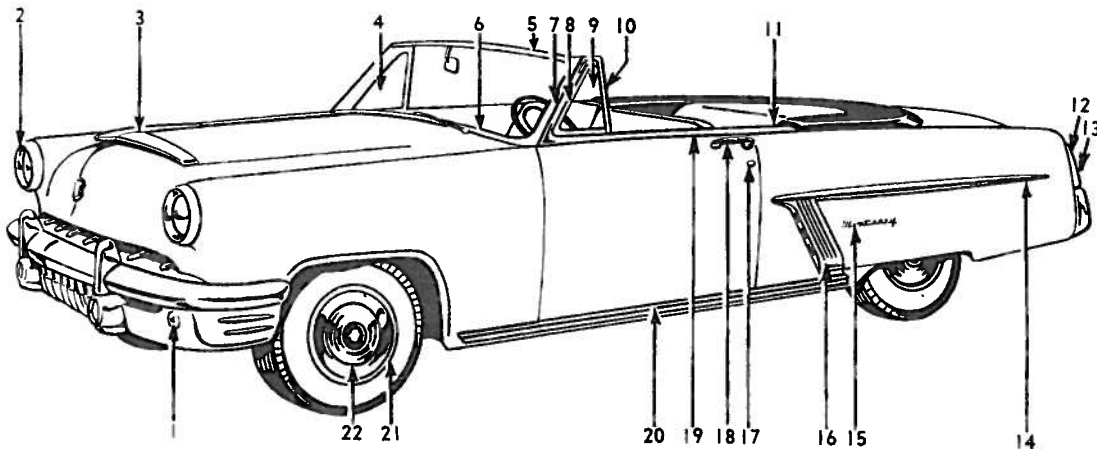


Fig. 8—Moldings, Glass & Wheels—Convertible

* Opposite side one part number higher

MERCURY 1952 thru 1953 BODY PARTS

Model MA. ALL BODY STYLES

Moldings, Glass and Wheels
—continued

6 WINDSHD. BELT MLDG. BA-7008148-A—1952 (right*)	2.33
7 WINDSHD. SIDE MLDG. BA-7608136-C—1952-53, 76 (right)	2.65
8 DOOR VENT. FRAME & GLASS ASSY. BA-7621406-A—1952-53, 76 (right*)	9.15
9 DOOR VENT. GLASS BA-7621412-A—1952-53, 76...	2.65
10 COMPLETE VENT. WINDOW (Includes Div. bar) BD-7621402-G—1952, 76 (right*)	46.02
BA-7621402-D—1953 (right*)	28.02
11 QUARTER BELT MLDG. BA-7629022-A—1952-53, 76 (right*)	2.77
BACK BELT MLDG. BA-7640238-A—1953 (right*)	3.15
12 REAR LAMP DOOR FAA-13446-A—1952-53	5.53
13 REAR LAMP LENS FAB-13450-A—1952-53, upper FAA-13542-A—1952, lower...	.36 .33
14 QUARTER LOWER MLDG. BC-7029038-A—1952, 76 (right*)	6.03
BG-7029038-A—1953 (right*)	4.48
15 BODY SIDE NAME PLATE BC-7325622-C—1952-53 "Monterey"	1.67
BC-7325622-B—1952-53 "Mercury"	1.02
16 BODY SIDE ORNAMENT BC-7325612-A—1952 (right*)	5.81
17 DOOR LOCK CYL. & KEYS BC-7021984-B—1952-53 (right*)	1.84
18 DOOR HANDLE ASSY. BC-7022400-B—1952-53 (right*)	3.29
19 DOOR BELT MLDG. BC-7621010-A—1952-53, 76 (right*)	4.07
20 ROCKER PANEL MLDG. BC-7010176-A—1952 (right*) BG-7010176-A—1953 (right*)	5.79 5.95
21 WHEEL ASSY. (Prime) MA-1015-BP—1952-53	7.50
22 HUB CAP MA-1130-B—1952, 10 21/32 in. O.D.	4.15
MA-1130-C—1952, 15 1/8 in. O.D.	4.88
MA-1130-D—1953	4.88

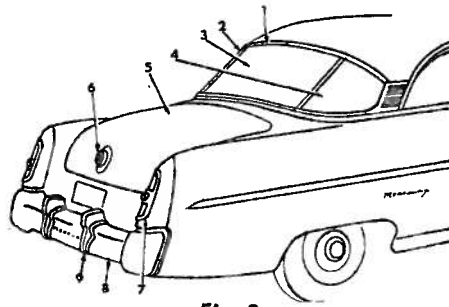


Fig. 9

Rear of Car

All Models
See Fig. 9

1 UPPER BACK W/W MLDG. BC-6042430-A—1952-53, 60 .. BA-7042430-A—1952-53, 70, 73 BA-7942430-A—1952-53, 79 ..	3.53 1.66 2.25
2 BACK W/W DIV. MLDG. BA-6042402-A—1952, 60	1.21
3 BACK W/W CENTER GLASS BA-6042006-B—1952, 60, clear BC-6042006-A—1952, 60, green tinted	19.40 23.00
BA-7042006-B—1952, 70, 73 clear	25.75
BC-7042006-A—1952, 70, 73 green tinted	30.70
BC-5942006-A—1952-53, 79 ..	10.49
BACK W/W GLASS BG-6042006-A—1953, 60, clear BG-6042006-B—1953, 60, tinted BA-7042006-B—1953, 70, 73, clear	41.00 47.10 25.75
BC-7042006-A—1953, 70, 73, tinted	30.70
4 BACK W/W END GLASS BA-6042026-B—1952, 60 clear (right*)	7.15
BC-6042026-A—1952, 60, green tinted (right*)	8.05
5 LUGGAGE COMPT. DOOR ASSY. BC-7040110-A—1952, exc. 79 .. BG-7040110-A—1953	25.12 31.38
COMPT. DOOR HINGE BA-7042700-C—1952-53, exc. 79 (right*)	3.83
COMPT. DOOR HINGE TO WH'HOUSE BRKT. BA-7042704-B—1952-53, exc. 79 (right*)33
COMPT. DOOR HINGE SPRING BA-7042760-B—1952-53, exc. 7986
COMPT. DOOR HINGE TO BODY SUPT. BC-7042794-B—1952-53, exc. 79 (right*)38
6 COMPT. DOOR HANDLE ASSY. BC-7043500-D—1952, less cyl. & key	5.60
BG-7043500-A—1953	6.45

COMPT. DOOR LOCK CYL. & KEYS BC-7043505-B—1952-53, exc. 79	1.
7 REAR LAMP DOOR FAA-13446-A—1952-53	5.
REAR LAMP LENS FAB-13450-A—1952-53, upper FAA-13542—1952-53, lower .. FAC-13437-B—1952-53, reflector
8 BUMPER IMPACT BAR BC-17862-A—1952 exc. 79.... BC-17862-B—1952, 79	42. 45.
BC-17906-C—1952-53, exc. 79. BC-17906-D—1952-53, 79	39. 39.
9 BUMPER GUARD BC-17984-A—1952-53 (right*)	5.
COMPT. DOOR WTHSTP. BA-7043720-A—1952-53	2.
REAR BUMPER HANGERS BC-17795-A—1952, outer BC-17787-A—1952, inner (right*)	1. 2.
BC-17795-C—1952-53	2.
BC-17787-B—1952-53	5.

Sheet Metal

Body Type—79—Station Wagon

See Fig. 10

1 COWL TOP PANEL BA-7002010-B—1952	26.
BA-7002010-C—1953	26.
2 UPPER OUTER BODY PILLAR BA-7002516-B—1952 (right*) .. BA-7002516-C—1953	2. 2.
3 UPPER INNER BODY PILLAR BA-7002522-B—1952 (right*) .. BA-7002522-C—1953	3. 3.
4 ROOF OUTER FRONT SIDE RAIL BA-7351186-A—1952 (right*) .. BA-7351186-B—1953	2. 2.
5 ROOF INNER SIDE RAIL BA-7951184-A—1952 (right*) .. BA-7951184-B—1953	6. 6.
6 ROOF PANEL ASSY. BA-5950200-A—1952	73.
BA-5950200-B—1953	73.
7 ROOF SIDE DRIP MLDG. BA-5951700-A—1952 (right*) .. BA-5951700-B—1953	1. 1.
8 REAR SIDE INNER RAIL BA-7951214-A—1952-53 (right*)	1.
9 UPPER QTR. PANEL ASSY. BA-7927816-A—1952-53 (right*)	88.
10 OUTER REAR SIDE RAIL BA-7951216-A—1952-53 (right*)	2.
11 QTR. BELT RAIL BA-7951216-A—1952-53 (right*)	88.

* Opposite side one part number higher

BODY PARTS 1952 thru 1953 MERCURY

Model MA. ALL BODY STYLES

QTR. PANEL LOCK SIDE REINFMT.	
BA-7928208-B—1952-53 (right*)	5.32
FRONT DOOR HINGE	
BA-7022800-B—1952-53 (right*)	4.87
COWL SIDE PILLAR & PANEL ASSY.	
BA-7002042-B—1952 (right*)	13.94
BC-7002042-B—1953 (right*)	15.69
DASH TO FRAME BRACE	
BA-7001714-C—1952-53	5.92
FRONT FLOOR PAN ASSY.	
BA-5911135-A—1952	38.98
BF-5911135-A—1953	38.98
DASH PANEL ASSY.	
BC-7001610-B—1952	11.78
BG-7001610-A—1953	11.29
BRAKE PEDAL SUPT.	
BA-7001508-E—1952, std. trans.	5.25
BA-7001508-E—1952, Mercomatic	5.25
BA-7001508-G—1953	5.25
FRONT DOOR ASSY. (Prime, less trim & hdw.)	
BG-7320122-C—1952 (right*)	77.50
BC-7320122-B—1953 (right*)	77.50
BODY CENTER PILLAR	
BA-7324300-B—1952-53 (right*)	13.94
REAR DOOR HINGE ASSY.	
BA-7326800-A—1952-53 (right*)	2.55
REAR DOOR ASSY. (Prime, less trim & hdw.)	
BC-7924622-A—1952 (right*)	77.50
BG-7924622-D—1953 (right*)	77.50
ROCKER PANEL ASSY.	
BF-7310128-A—1952-53 (right*)	8.65
REAR FLOOR PAN ASSY.	
BA-7911215-A—1952, 8 pass.. ..	53.97
BA-5911215-A—1952, 6 pass.. ..	58.17
BA-7911215-A—1953	53.97
FLOOR PAN GAS GAUGE COVER	
BA-5911290-A—1952-5366
WHEELHOUSE & QTR. PANEL ASSY.	
BC-7927700-A—1952 (right*)	65.00
BG-7927700-A—1953 (right*)	65.00
LOWER BACK BODY PANEL	
BC-7940320-A—1952-53	2.93
LOWER REAR QTR. PANEL EXTEN.	
BC-5928058-A—1952-53 (right*)	5.70
REAR CORNER PILLAR	
BA-5941032-A—1952-53 (right*)	9.82

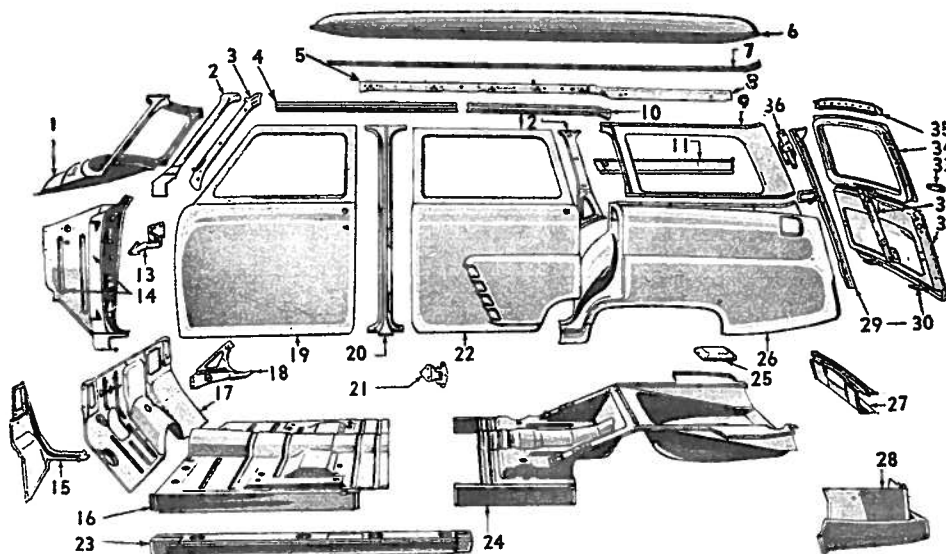


Fig. 10—Sheet Metal—Station Wagon

30 TAILGATE HINGE ASSY.		4 DOOR WINDOW GARNISH MLDG. (Prime)	
BA-5943000-A—1952-53 (right*)	2.50	BC-7325514-AP—1952-53, 73 rear door (right*)	7.97
31 TAILGATE (Prime, less trim)		BC-7925514-AE—1952-53, 79 rear door (right*)	9.00
BA-5940702-A—1952-53	42.30	BC-7620904-CP—1952-53, 60, 76 (right*)	6.21
32 TAILGATE SUPT. ASSY. (right*)	1.44	BC-7020904-AP—1952-53, 70 (right*)	9.22
33 LIFTGATE OUTER HANDLE		BC-7320904-AP—1952-53, 73 front door (right*)	8.88
BA-5943400-A—1952-53	4.65	BC-7920904-AE—1952-53, 79 front door (right*)	10.64
34 LIFTGATE ASSY. (Prime, less trim)		5 DOOR GLASS AT BELT WTHSTP.	
BA-5940010-A—1952-53	17.24	BA-7325596-B—1952-53, 73, 79 rear door (right*)61
35 LIFTGATE HEADER RAIL		BA-7621446-B—1952-53, 60, 76 (right*)51
BA-5941302-A—1952-53	7.80	BA-7321446-B—1952-53, 73, 79 front door (right*)42
36 LIFTGATE HINGE ASSY. (right*)	2.29	6 DOOR LOCK PUSH ROD	
FUEL TANK ASSY.		BA-7621852-A—1952, 60, 76 (right*)04
AB-9002-B—1952-53	11.96	BA-7021852-A—1952-53, 70, 73, 79 (right*)05
Door Parts			
<i>All Models</i>			
<i>See Fig. 11</i>			
1 DOOR LOCK KNOB GROMMET		7 DOOR LOCK BELLCRANK	
8M-7221999—1952-5305	BA-7326448-A—1952-53, 73, 79 rear door04
2 DOOR LOCK CONTROL ROD KNOB		8 INNER DOOR HANDLE	
8A-7021850-B—1952-5328	BC-7022600-B—1952-53	1.38
3 DOOR GLASS LOCK SIDE RUN		9 DOOR LOCK REMOTE CONTROL	
BA-7325760-A—1952-53, rear door	2.92	BA-7326404-A—1952-53, 73, 79 rear door (right*)	1.47
BA-7021550-A—1952-53, 70 front door	3.00	BA-7021818-A—1952-53, 60, 76 (right*)	1.05
BA-7321550-A—1952-53, 73, 79 front door	2.77	BA-7321818-A—1952-53, 73, 79 front door (right*)	1.34

continued

* Opposite side one part number higher

MERCURY 1952 thru 1953 BODY PARTS

Model MA. ALL BODY STYLES

Door Parts—continued

10 DOOR GLASS	BA-7325712-A—1952-53, 73 rear door	6.25	BA-7021448-A—1952-53, 70, 73, 79 front door (right*)	1.28
	BA-7925712-A—1952-53, 79 rear door	6.81	14 DOOR VENT. GLASS	
	BA-7621410-C—1952-53, 60, 76 BA-7021410-A—1952-53, 70 ...	6.25 6.75	BA-7326870-A—1952-53, 73 rear door	2.25
	BA-7321410-A—1952-53, 73, 79	5.25	BA-7926870-A—1952-53, 79 rear door	3.63
11 DOOR VENT. RETAINER & DIV. BAR			BA-7621412-A—1952-53, 60, 76 BA-7021412-A—1952-53, 70, 73, 79	2.65 2.55
BA-7326902-A—1952-53, 73 rear door (right*)	7.35	15 DOOR VENT. FRAME & GLASS ASSY.		
BA-7926900-A—1952-53, 79 rear door	3.90	BA-7326876-A—1952-53, 73 rear door (right*)	9.00	
Note: Front door div. bar furn- ish with complete window assy. only.		BA-7621406-A—1952-53, 60, 76 (right*)	9.15	
		BA-7021406-A—1952-53, 70, 73, 79 (right*)	9.55	
12 DOOR VENT. DIV. BAR WTHSTP.		16 DOOR LOCK ASSY.		
BA-7326906-A—1952-53, 73 rear door27	BD-7326412-A—1952-53, 73, 79 rear door (right*)	3.24	
BA-7621450-B—1952-53, 60, 76 BA-7021450-A—1952-53, 70, 73, 79 front door38 .25	BA-7021812-B—1952-53, front door (right*)	3.07	
13 DOOR VENT. WTHSTP.		17 DOOR LINK ASSY.		
BA-7326894-A—1952-53, 73 rear door (right*)	1.11	BA-7326420-A—1952-53, 73 rear door14	
BA-7926894-A—1952-53, 79 rear door (right*)	1.65	18 DOOR INNER HANDLE & REGLTR. SPRING		
BA-7621448-B—1952-53, 60, 76 (right*)	1.74	BA-7022624-B—195214	
		BA-7022624-B—195314	

19 WINDOW REGLTR. HANDLE PLATE	BA-7023370-A—1952-53	
20 DOOR WINDOW REGLTR.		
BA-7327000-A—1952-53, 73, 79 rear door (right*)	4	
BC-7327000-A—1952-53, 73 rear door, electrical (right*)	37	
BA-7623202-A—1952-53, 60, 76 (right*)	4	
BA-7023202-A—1952-53, 70 (right*)	3	
BA-7323202-A—1952-53, 73, 79 (right*)	2	
BD-7323208-A—1952-53, exc. 79 electrical (right*)	11	
21 SEE ITEM NO. 18		
22 SEE ITEM NO. 19		
23 REGLTR. OR DOOR HANDLE RETAINER	357550-S—1952-53	
24 DOOR & QTR. WINDOW HANDLE		
1M-7223342—1952-53, zinc die cast	1	
BC-7023342-A—1952, steel and plastic	1	
Note: Alternate above items due to shortage.		
25 INNER DOOR PANEL COVER PLATE		
BD-7321122-A—1952-53, manual		
BD-7321122-B—1952-53, exc. 79 electrical (right*)		
26 DOOR GLASS CHAN. & BRKT.		
BA-7326228-A—1952-53, 73, 79 rear door (right*)	1	
BA-7621458-C—1952-53, 60, 76 (right*)	1	
BA-7021458-A—1952-53, 70 (right*)	1	
BA-7321458-A—1952-53, 73, 79 front door (right*)		
27 DOOR REGLTR. ROLLER ARM		
BA-7023286-A—1952-53		
28 DOOR REGLTR. ROLLER SPRING		
BA-7023243-A—1952-53		

Electric Window Regulator

*All Models exc. Station Wagon
See Fig. 12*

1 REGULATOR ASSY.		
BD-7323200-A—1952-53, includes motor (right*)	37	
BD-7323208-A—1952-53, less motor (right*)	11	
2 REGULATOR DRIVE ASSY.		
BD-7323394-A—1952-53 (right*)	17	

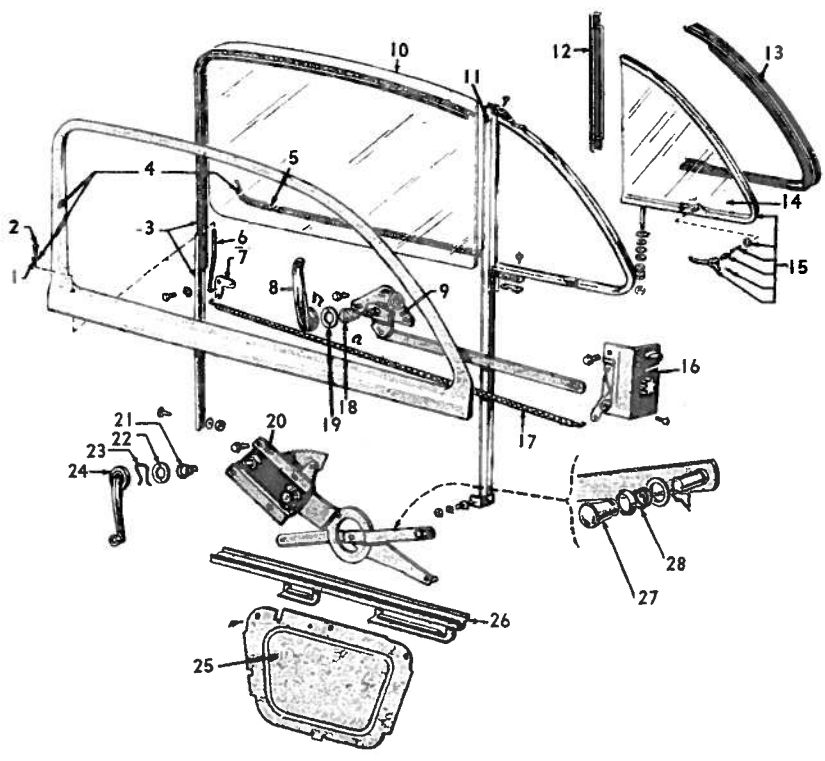


Fig. 11—Door Parts

* Opposite side one part number higher

BODY PARTS 1952 thru 1953 MERCURY

Model MA. ALL BODY STYLES

REGULATOR MOTOR ASSY.	
FAA-14553-A—1952-53, w/stud supt.	15.34
FAA-14553-B—1952-53, w/brkt. supt.	22.78
REGULATOR DRIVE COUPLING	
BD-7323440-A—1952-53	1.09

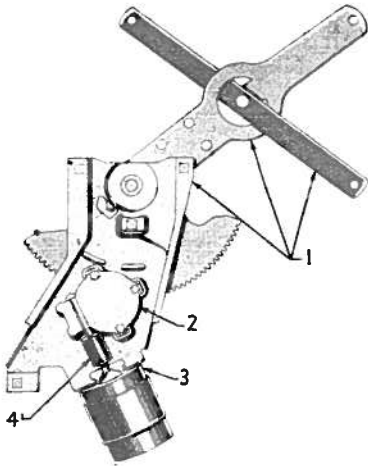


Fig. 12

Rear Quarter Window

Body Type—60, 76—Coupe & Conv.
See Fig. 13

WINDOW FRONT WTHSTP.	
BA-7630146-C—1952-53 (right*)52
WINDOW GLASS BELT WTHSTP.	
BA-7629742-A—1952-53, outer.45
WINDOW GLASS	
BA-7629710-A—1952-53	5.55
WINDOW GLASS AT BELT INNER WTHSTP.	
BA-6029744-A—1952-53, 6048
BA-7629744-A—1952-53, 76 (right*)51
WINDOW FRONT LOW. COR. WTHSTP.	
BA-7629746-B—1952-53 (right*)22
WINDOW LOW. CHAN. ASSY.	
BA-7629958-C—1952-53 (right*)	8.20
SEE ITEM NO. 2	
WINDOW FRONT & REAR CHAN. ASSY.	
BA-7629962-D—1952-53 (right*)	9.90
WINDOW STOP OUTER BUMPER	
BA-7629986-A—1952-5310

10 INNER HANDLE ESCUTCHEON	.71
BC-7622618-A—1952-53	
11 DOOR HANDLE RETAINER	.03
357550-S—1952-53	
12 REGULATOR HANDLE	1.95
BC-7630322-A—1952, 4 in. long	
1M-7223342—1952-53, 5 in. long	1.59
13 REGLTR. PANEL TO TRIM BRKT.	.73
BA-7630308-A—1952-53, 76 (right*)	
14 REGULATOR ASSY.	4.07
BA-6030306-B—1952-53, 60, manual (right*)	
BD-6030306-A—1952-53, 60 electrical (right*)	39.50
BA-7030306-A—1952-53, 70, manual (right*)	4.10
BC-7327000-A—1952, 70, electrical (right*)	37.22
BA-7630306-A—1952-53, 76, manual (right*)	4.40
BC-7630306-B—1952-53, 76, electrical (right*)	21.50
15 WINDOW HINGE BODY BRKT.	2.07
BA-7629932-A—1952-53 (right*)	
16 FRAME HINGE PIN	.38
BA-7630556-A—1952-53	
17 COMPLETE WINDOW GUIDE	1.83
BA-6029764-A—1952-53, 60 (right*)	
BA-7629764-A—1952-53, 76 (right*)	2.17
18 WINDOW GUIDE BRACE	.15
BA-6030374-A—1952-53, 60 (right*)	
BA-7630374-A—1952-53, 76 (right*)12

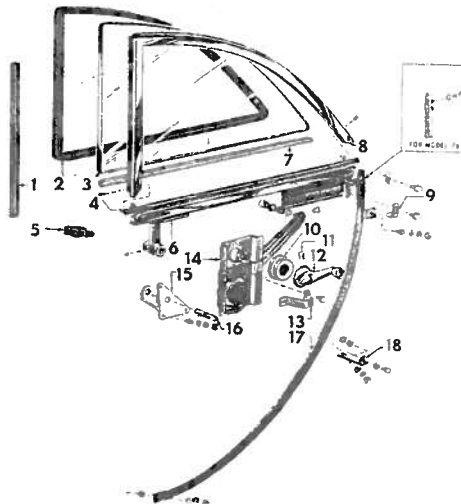


Fig. 13

* Opposite side one part number higher

Folding Top

Body Type: 76 Convertible
See Fig. 14

1 CENTER DOWEL NO. 1 BOW	3.25
BD-7603442-B—1952	
BA-7603442-A—1953	4.50
2 TOP LOCKING HANDLE	1.54
BA-7603570-A—1952-53	
3 HEADER STRIKER CENTER PLATE	.21
BD-7653308-B—1952-53	
4 SIDE DOWEL NO. 1 BOW	4.50
BD-7603458-A—1952-53 (right*)	
5 HEADER STRIKER END PLATE	.21
BD-7653311-C—1952-53	
6 HEADER ASSY. NO. 1 BOW	42.72
BC-7653038-A—1952	
BC-7653038-B—1953	40.84
7 SIDE RAIL HEADER BRKT. PLATE	.54
BA-7653116-A—1952-53	
8 BOW ASSY. NO. 2	3.00
BA-7651274-A—1952-53	
9 FRONT SIDE RAIL BRKT.	5.00
BA-7653108-A—1952-53 (right*)	
10 FRONT SIDE RAIL	14.70
BA-7653104-B—1952-53 (right*)	
11 CONTROL LINK ASSY.	17.48
BC-7650316-B—1952, use with BC-7653000-C (right*)	
BC-7650316-B—1952-53, use with BC-7653000-D (right*)	17.48
12 THREE WAVE SPRING WASHER	.03
8M-7653211—1952-53	
13 NO. 3 BOW BRKT.	2.75
BA-7653144-A—1952-53 (right*)	
14 THREE WAVE SPRING WASHER	.03
8M-7653217—1952-53	
15 NO. 4 BOW ASSY.	17.43
BC-7651278-B—1952-53	
16 REAR BOW NO. 4 SLAT	3.62
BC-7650340-A—1952-53 (right*)	
17 REAR QTR. DECK SEALING ARM	3.00
BA-7652772-A—1952 (right*)	
BA-7652772-B—1953 (right*)	3.00
18 POWER LINK ASSY.	12.40
BC-7650352-B—1952-53 (right*)	

continued

MERCURY 1952 thru 1953 BODY PARTS

Model MA. ALL BODY STYLES

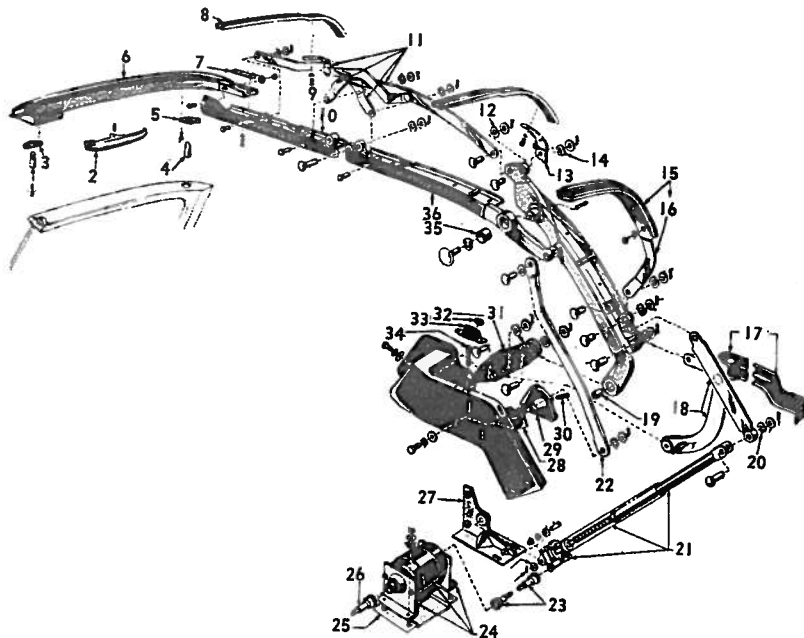


Fig. 14—Folding Top Parts

Folding Top—continued

19 REAR SIDE RAIL BUSHING BD-7650473-A—1952-53 (right*)	10
20 THREE WAVE SPRING WASHER 8M-7653210—1952-5303
21 TOP LIFT ASSY. BA-7650600-A—1952-53 (right*)	25.34
22 TOP BALANCE LINK BC-7650454-A—1952-53 (right*)	7.26
23 LIFT DRIVE SHAFT ASSY. BA-7650612-A—1952-53 (right*)	5.17
24 TOP CONTROL MOTOR ASSY. FAA-15664-B—1952-53	29.30
25 LIFT MOTOR MTG. BRKT. BA-7650747-A—1952-5370
26 SEE ITEM NO. 23	
27 LIFT TO FLOOR BRKT. BA-7650564-A—1952-53 (right*)87
28 BALANCE LINK PIVOT BRKT. BD-7650450-B—1952-53 (right*)	2.25
29 BALANCE LINK ADJ. BRKT. BD-7650478-A—1952-53 (right*)	2.73
30 BALANCE LINK ADJ. SCREW BD-7650490-A—1952-53, horizontal32

31 TOP MAIN PIVOT BRKT. BA-7653118-A—1952-53 (right*)	9.00
32 SIDE RAIL BUMPER BA-7653055-A—1952-5303
33 SIDE RAIL BUMPER RE- TAINER BA-7653066-A—1952-53 (right*)31
34 BALANCE LINK VERTICAL ADJ. SCREW BD-7650491-A—1952-5332
35 CENTER RAIL BUSHING BD-7650471-A—1952-5309

36 CENTER SIDE RAIL BA-7651154-A—1952-53, steel (right*)	19.
BA-7651154-B—1952-53, alumi- num (right*)	19.

Frame Assembly

See Fig. 15

1 COMPLETE FRONT CROSS MEMBER MA-5019-A—1952-53	34.
2 FRAME ASSY. MA-5005-T—1952, 70, 73	162.
MA-5005-U—1952, 60	172.
MA-5005-N—1952, 76	225.
MA-5005-P—1952, 79	142.
3 FRONT BRAKE HOSE BRKT. MA-2082-A—1952-53
4 FRONT FRAME TO BODY BRKT. MA-5075-B—1952-53
5 REAR SPRING HANGER MA-5770-A—1952-53 (right*). Note: Not included in 1952 models.	1.
6 REAR SPRING SHACKLE HANGER AB-5610-A—1952-53 (right*) .	1.
7 REAR CROSS MEMBER MA-5035-A—1952-53	2.
8 FRONT FUEL TANK BRKT. AB-9068-A—1952-53, 79
9 REAR SHOCK CROSS MEMBER MA-5029-A—1952-53	4.
Note: Not listed for 1952.	
10 REAR BRAKE CABLE BRKT. MA-2530-B—1952-53 (right*) .	.
11 ENGINE REAR SUPT. BRKT. MA-5059-A—1952-53, exc. 76..	2.
MA-5059-B—1952-53, 76	2.
Note: Not listed for 1952.	
12 SUSPENSION UPPER SHOCK MTG. MA-5022-A—1952-53 (right*) .	4.

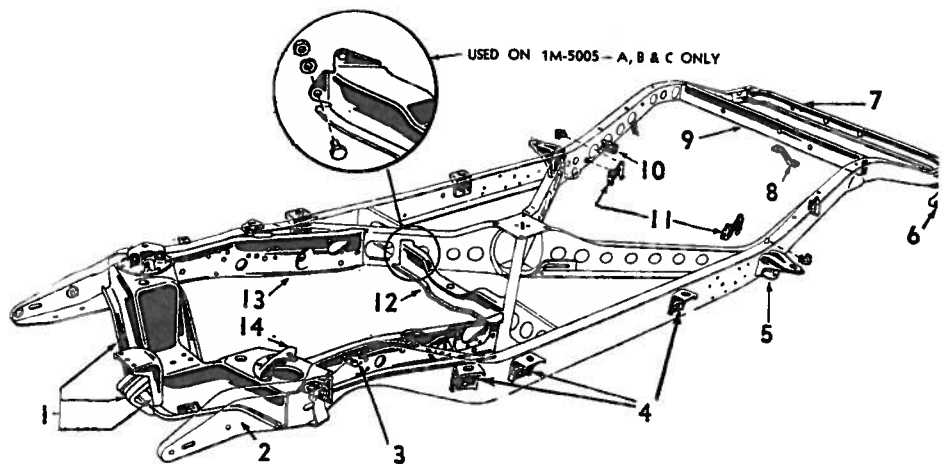


Fig. 15—Frame Assembly

* Opposite side one part number higher

BODY PARTS 1952 thru 1953 MERCURY

Model MA. ALL BODY STYLES

Front Suspension

See Fig. 19

UPPER INNER SHAFT KIT 8A-3047—1952-53	3.22
UPPER ARM ASSY. 8A-3082—1952-53	3.89
UPPER SPINDLE SUPT. KIT 8A-3049—1952-53	2.18
SPINDLE SUPT. ASSY. 8A-3052-C—1952-53 (right*) ..	9.02
SPINDLE BOLT & BUSHING KIT APA-3111—1952-53	4.78
SPINDLE BOLT THRUST BEARING B-3123-A—1952-5378
SPINDLE BOLT BUSHING 8A-3110-B—1952-5328
SPINDLE BOLT ASSY. 8A-3105-B—1952-53	9.98
LOWER SPINDLE SUPT. KIT 8A-3050—1952-53	1.82
1 LOWER ARM OR "A" FRAME MA-3078-A—1952-53	6.55
1 LOWER ARM SHAFT KIT 8A-3048—1952-53	4.05
2 SERVICED WITH KIT ONLY, SEE ITEM NO. 11	
3 FRONT SPRING AB-5310-F—1952-53 exc. 76, 79, red paint.....	6.45
AB-5310-K—1952-53, 76, alu- minum paint	6.45

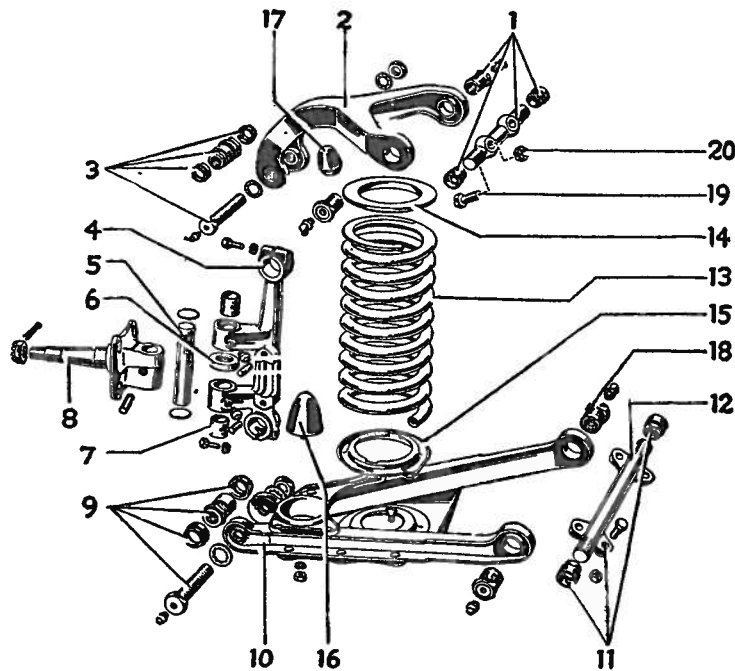


Fig. 19—Front Suspension

MA-5310-E—1952-53, 79, brown paint	11.10	17 UPPER ARM BUMPER MA-3025-A—1952-5329
14 UPPER SPRING INSULATOR 8A-5415-A—1952-5328	18 LOWER ARM INNER SHAFT BUSHING 8A-3063-A2—1952-5356
15 LOWER INSULATOR NOT LISTED FOR 1952		19 UPPER ARM TO FRAME BOLT 351096-S8—1952-5326
16 LOWER ARM BUMPER MA-3019-B—1952-5364	20 UPPER ARM TO FRAME BOLT NUT 34449-S7—1952-5308

STEERING GEOMETRY

1952-53

CASTER: 0 to 1½ degrees negative.
CAMBER: 0 to ¾ degree positive.
TOE-IN: 3/32 to 5/32 inch.

TOE-OUT TURNS (TURNING RADIUS):
Outer Wheel 20 degrees. Inner Wheel
22 degrees. 1953 outer 17¼ degrees.

KING PIN INCLINATION: 5¾ degrees.

ADJUSTMENTS

CASTER: is adjusted by turning sleeve in lower suspension arm. Turn towards the rear of car to decrease caster, towards front to increase.

CAMBER: is controlled by eccentric bushing at upper suspension arm.

TOE-IN: Centralize steering and adjust both tie-rods to give correct toe-in.

* Opposite side one part number higher