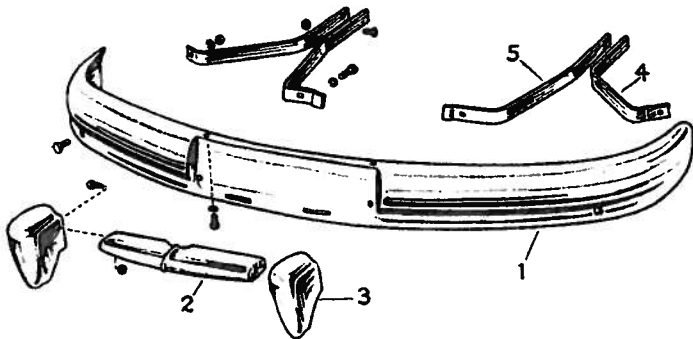


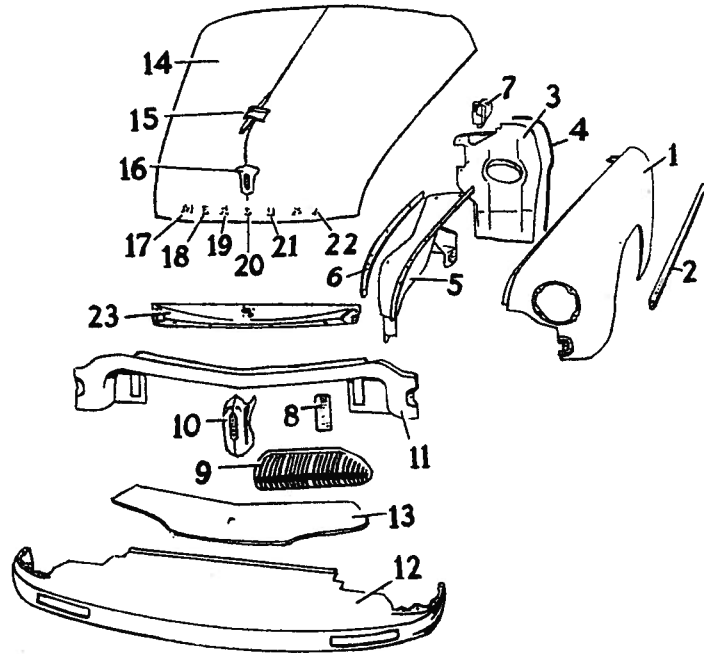
MERCURY 1949 BODY PARTS

Model 9M. ALL BODY STYLES



FRONT BUMPER ALL MODELS

Item Part No.	Description	Price	Item Part No.	Description	Price
1	8M-17757—Bar, impact	\$28.00	4	8M-17755—Hanger, outer L.H.	1.85
2	8M-17768-A—Guard, license plt.	3.00	5	8M-17767—Hanger, inner L.H.	2.35
3	8M-17997-A—Guard, L.H.	6.75			



Front End Parts

FRONT FENDER ALL MODELS

Item Part No.	Description	Price
1	8M-16006—Fender assy.	35.00
2	8M-16004—Midg.	2.25
3	8M-16033—Panel, apron	7.00
4	8M-16070—Anti-squeak	.35
5	8M-16055—Apron	14.75
6	M-5397—Anti-squeak	.15 yd.
7	8M-8703-B—Duct air assy., rear	1.05
8	8M-8190—Panel assy.	21.40

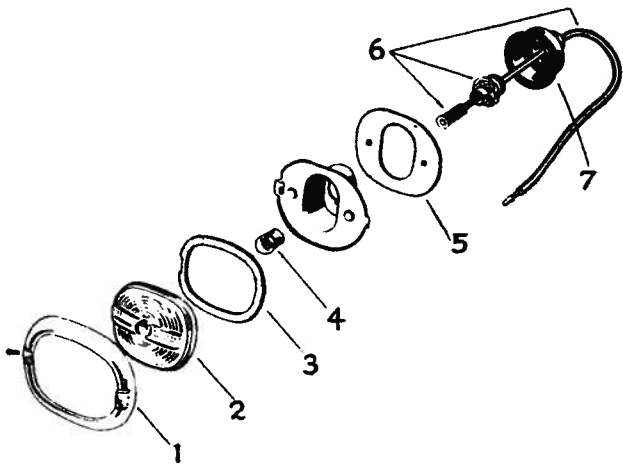
GRILLE ALL MODELS

Item Part No.	Description	Price
9	8M-8151-A—Grille, L.H.	13.75
10	8M-8158—Ornament, center	5.40
11	8M-8190—Panel assy. (open.)	21.40

Item Part No.	Description	Price
12	8M-17744—Deflector assy. (stone)	19.75
13	8M-17794—Panel assy. (deflector)	8.00

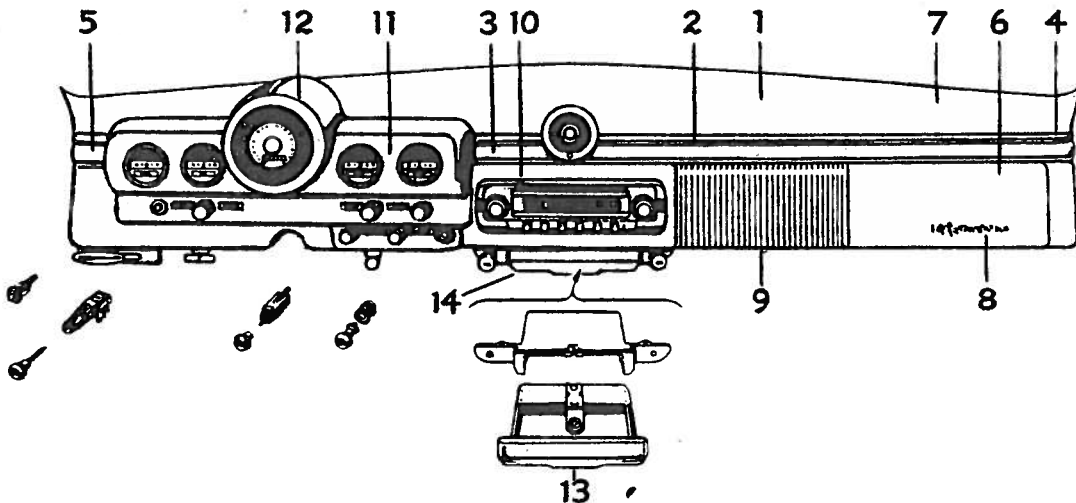
HOOD ALL MODELS

Item Part No.	Description	Price
14	8M-16611—Hood (welded)	71.00
15	8M-16850—Ornament (top)	7.00
16	8M-16607—Ornament (front)	3.30
17	8M-16606-A—Letter M	.25
18	8M-16606-B—Letter E	.25
19	8M-16606-C—Letter R	.25
20	8M-16606-D—Letter C	.25
21	8M-16606-E—Letter U	.25
22	8M-16606-F—Letter Y	.25
23	8M-8162—Plate assy., lock



PARKING LAMP ALL MODELS

Item Part No.	Description	Price	Item Part No.	Description	Price
7RA-13200	Parking lamp assy.	2.75	4	B-13486—Bulb	.10
1	7RA-13210—Door	.60	5	7RA-13217—Pad	.10
2	7RA-13208—Lens	.30	6	7RA-13234—Wiring & socket	1.20
3	7RA-13211—Gasket	.10	7	7RA-13225—Boot	.12

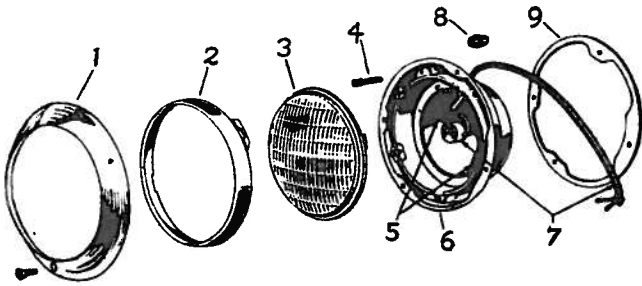


INSTRUMENT PANEL ALL MODELS

Item Part No.	Description	Price
1	8M-7004320-A—Panel	33.50
1	8M-7004320-B—Panel	33.50
1	8M-7004320-C—Panel	33.50
2	8M-7004332-A—Midg. (center R.H.)	1.50
3	8M-7004333-A—Midg. (center L.H.)	.75
4	8M-7004410—Midg. (end R.H.)	.70
5	8M-7004411—Midg. (end L.H.)	.70
6	8M-7006024-A—Door assy.	5.90
7	8M-7006081—Lock, w/keys	2.70
8	8M-7006090—Emblem	.60
9	8M-7004405-A—Grille, radio	1.75
10	8M-18842—Bezel	1.70
11	8M-7004300-A—Housing (inst. cluster)	7.20
12	8M-7004342—Hsing. (speed.)	3.50
13	8M-7004810-A—Recept., ash tray	1.10
14	8M-7004830—Handle, recept.	1.50

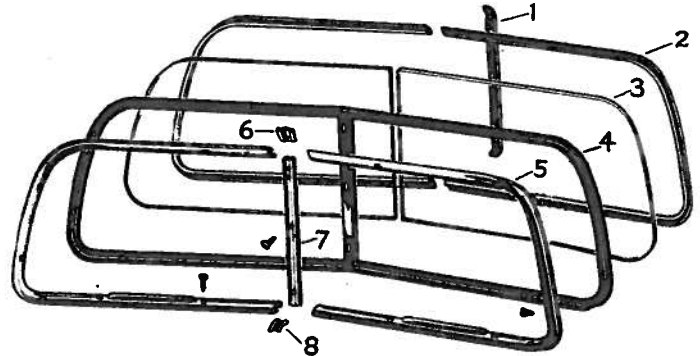
BODY PARTS 1949 MERCURY

Model 9M. ALL BODY STYLES



HEAD LAMP ALL MODELS

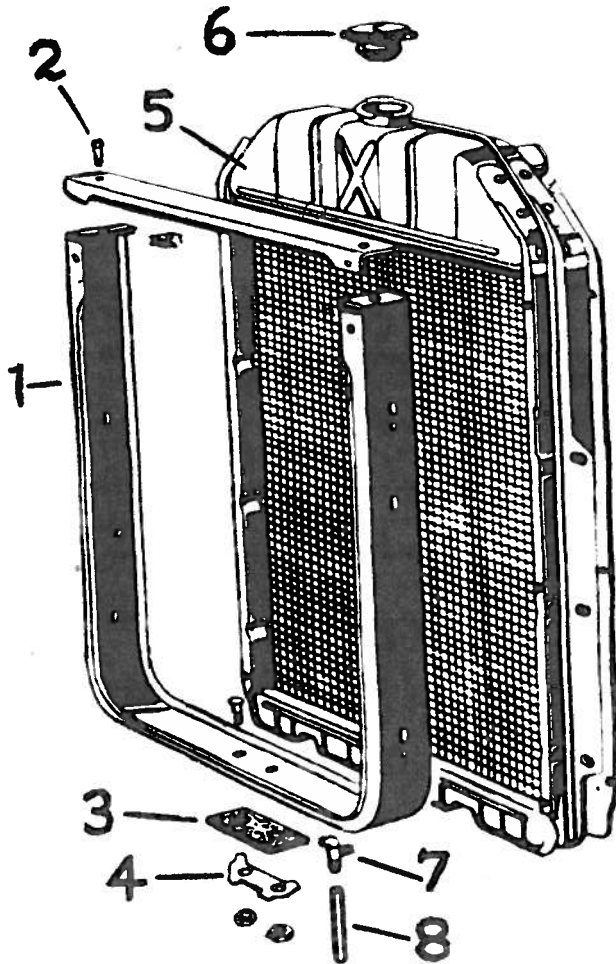
Item Part No.	Description	Price	Item Part No.	Description	Price
1	7RA-13045—Door	1.25	6	8M-13002—Headlamp, w/o bulb	6.95
2	11A-13018-A—Ring, retainer	.55	7	51A-13076-B—Wiring	1.05
3	09A-13007—Bulb	1.30	8	51A-13091-B—Grommet	.08
4	11A-13032—Screw, adj.	.10	9	11A-13044-A—Gasket	.35
5	11A-13031—Spring	.05			



WINDSHIELD

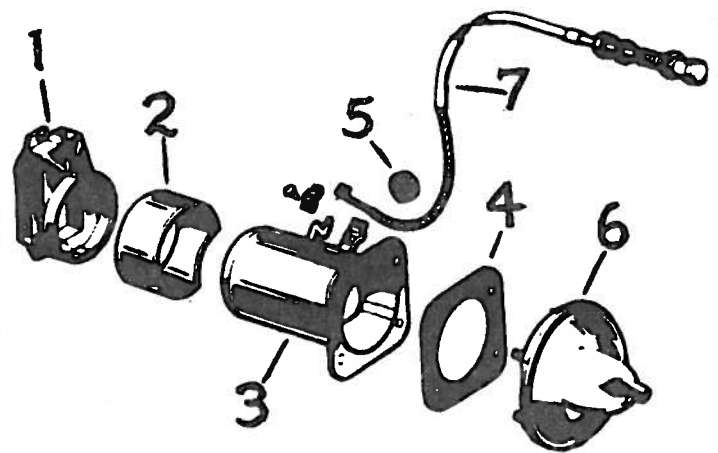
BODY STYLES—72, 74, 76, 79

Item Part No.	Description	Price	Item Part No.	Description	Price
1	7A-7003078—Wthstp ret., center outer	1.50	5	8M-7003591-C—Fin. strip, blue (72-74)	2.90
1	8M-7903078—Wthstp ret., center outer (79)	1.55	5	8M-7003591-A—Fin. strip, green (72-74)	2.90
2	7A-7003089—Midg., outside L.H.	2.20	5	8M-7003591-B—Fin. strip, tan (72-74)	2.90
2	8M-7903089—Midg., outside L.H. (79)	1.95	5	8M-7003591-A—Fin. strip (76)	2.90
3	8M-7003100—Glass	11.70	5	8M-7903591—Fin. strip (79)	2.95
3	7A-7903100—Glass (79)	12.95	6	8M-7003084—Plate, upper	.10
4	8M-7003111-A—Wthstp. assy., L.H. (72-74)	5.20	6	8M-7003084—Plate, up. (76)	.10
4	8M-7603111—Wthstp. assy., L.H. (76)	5.75	7	8M-7003076-A—Wthstp ret., inner (72-74)	1.50
4	8M-7903111-A—Wthstp. assy., L.H. (79)	3.35	7	8M-7903076—Wthstp ret., inner (79)	1.55
			8	8M-7003086—Plate, low.	1.10
			8	8M-7603086—Plate, low. (76)	1.15



RADIATOR & BRACES ALL MODELS

Item Part No.	Description	Price	Item Part No.	Description	Price
1	8M-16138—Support assy.	8.55	5	8CM-8005-A—Radiator assy. (3" core)	82.30
2	8M-16156—Bar	1.00	6	26H-8100-B—Cap	1.50
3	8M-16186—Pad	.06	7	48-8115—Drain cock	.65
4	356595-S—Plate (locking)	.30	8	59C-8081—Exten. (rubber)	.05

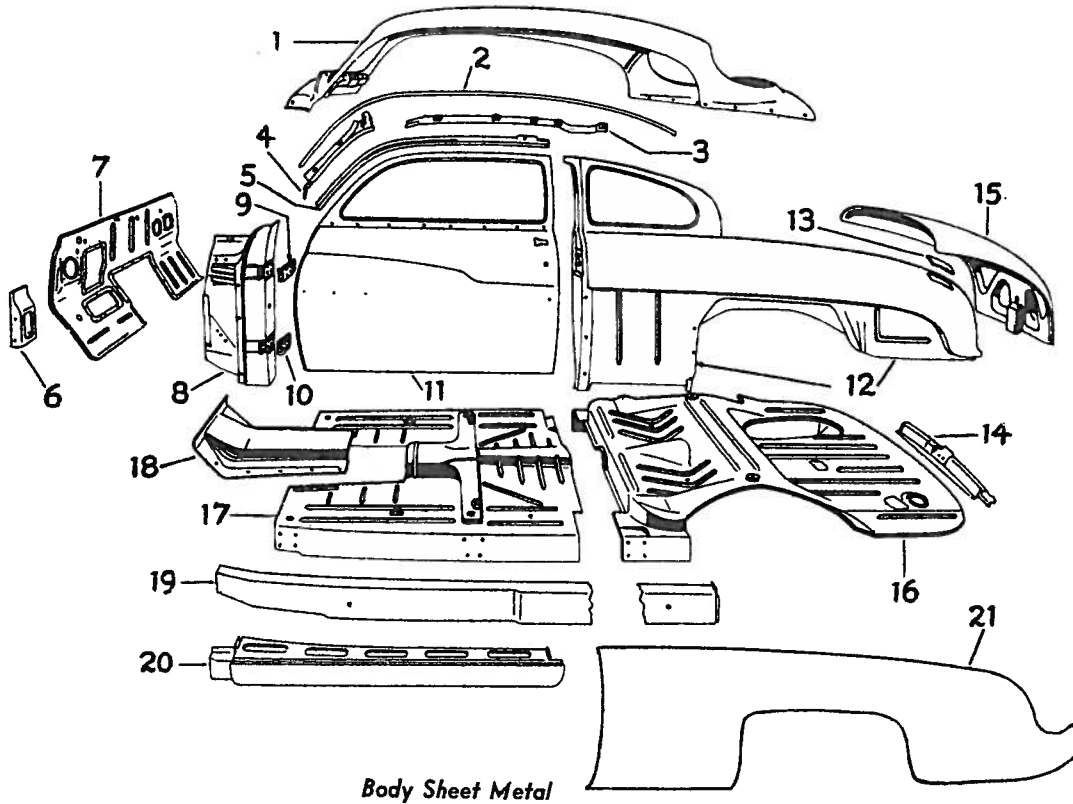


VENTILATION SYSTEM ALL MODELS

Item Part No.	Description	Price	Item Part No.	Description	Price
1	8M-8702-B—Duct, vent, rear R.H.	1.05	3	8M-7301851—Valve, L.H.	5.40
1	8M-8703-B—Duct, vent, rear L.H.	1.05	4	8M-18570—Gasket	.15
2	8M-8721—Duct	.12	5	B-14605-A—Grommet	.05
3	8M-7301850—Valve, R.H.	5.40	6	8M-7301814—Register	4.10
			7	8M-7301891-B—Wire, L.H.	1.85
			7	8M-7301890-D—Wire, R.H.	1.75

MERCURY 1949 BODY PARTS

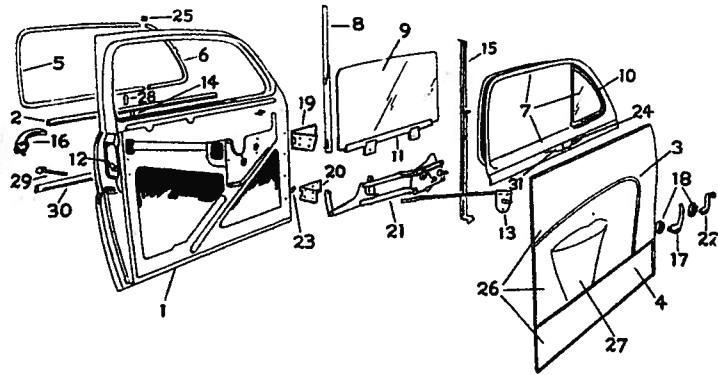
Model 9M. ALL BODY STYLES



CAR BODY BODY TYPE—72—SIX PASS. COUPE

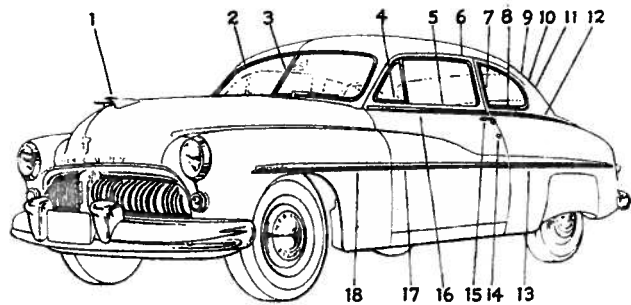
Item	Part No.	Description	Price
1	8M-7250200	Roof pan. assy.	91.25
2	8M-7251701	Drip midg.	1.35
3	7A-7051197	Reinf., side rail	1.30
4	8M-7003619	Exten. (reinf.)	2.30
5	7A-7251185	Side rail	6.15
6	8M-7001726	Brace (dash to fr.)	1.35
7	8M-7001810-A	Dash panel.	9.45
8	8M-7002043	Pillar & panel	14.00
9	8M-7022801	Hinge	2.05
10	8M-7022811	Hinge	1.90
11	8M-7020123	Door (prime)..	45.00
12	8M-7227701	Quarter panel (complete)	46.00
13	8M-7028811	Lid assy. (filler)	1.35
14	8M-7240320	Panel assy. (low. back)	5.15
15	8M-7240112	Luggage lid ...	26.25
16	8M-7011216-B	Pan assy. (rear)	25.00
17	8M-7011135	Pan assy. (frt.)	28.00
18	8M-7012115-A	Plate (trans. cover) 10 1/2"	5.25
18	8M-7012115-B	Plate (trans. cover) 15"	5.00
19	7A-7010119	Floor side mem.	5.25
20	7A-7010131	Rocker panel ..	7.00
21	8M-16313-A	Fender

Body Sheet Metal



DOORS BODY TYPE—72

Item	Part No.	Description	Price	Item	Part No.	Description	Price
1	8M-7020123	Dr., less hinges	45.00	14	8M-7021853	Rod, safety catch	.10
2	8M-7020935	Mldg. (outside)	1.75	15	8M-7022297-B	Bar, vent div.	4.10
3	8M-7020943-A	Mldg. (trim)	1.75	16	8M-7022400-B	Handle, out.	2.75
4	8M-7020956-A	Mldg. (trim, low.)	1.20	17	8M-7022614	Handle, inside.	1.10
5	8M-7020985	Mldg. & w/stp., (reveal)	4.35	18	8M-7022618	Escutcheon	.45
6	8M-7020985	Mldg. & w/stp., (reveal)	4.35	19	8M-7022801	Hinge (upper)	2.05
7	8M-7021403-A	Vent wind. & fin. strip, complete	27.25	20	8M-7022811	Hinge (low.)	1.90
7	8M-7021403-B	Vent wind. & fin. strip, complete	27.25	21	8M-7023201-A	Regulator	4.15
7	8M-7021403-C	Vent wind. & fin. strip, complete	27.25	22	8M-7023342	Handle, reg.	1.15
8	7A-7021550	Run	.75	23	8M-7023500	Arm, check	.40
9	8M-7021410-A	Gls., window	7.15	24	8M-7020988	Insert	.80
10	8M-7021412-A	Glass, vent.	2.15	25	7A-7020925	Clip	.05
11	8M-7021459	Channel	1.30	26	8M-7023943	Trim	23.75
12	8M-7021813	Lock	3.90	27	8M-7024141-D	Arm rest	14.85
13	8M-7021819	Remote control	2.25	28	8A-7021850	Knob	.20
				29	8H-7321985	Cyl. & sleeve	1.95
				30	8M-7020939	Mldg., outside	2.15
				31	8M-7020946	Retain. (insert)	1.45

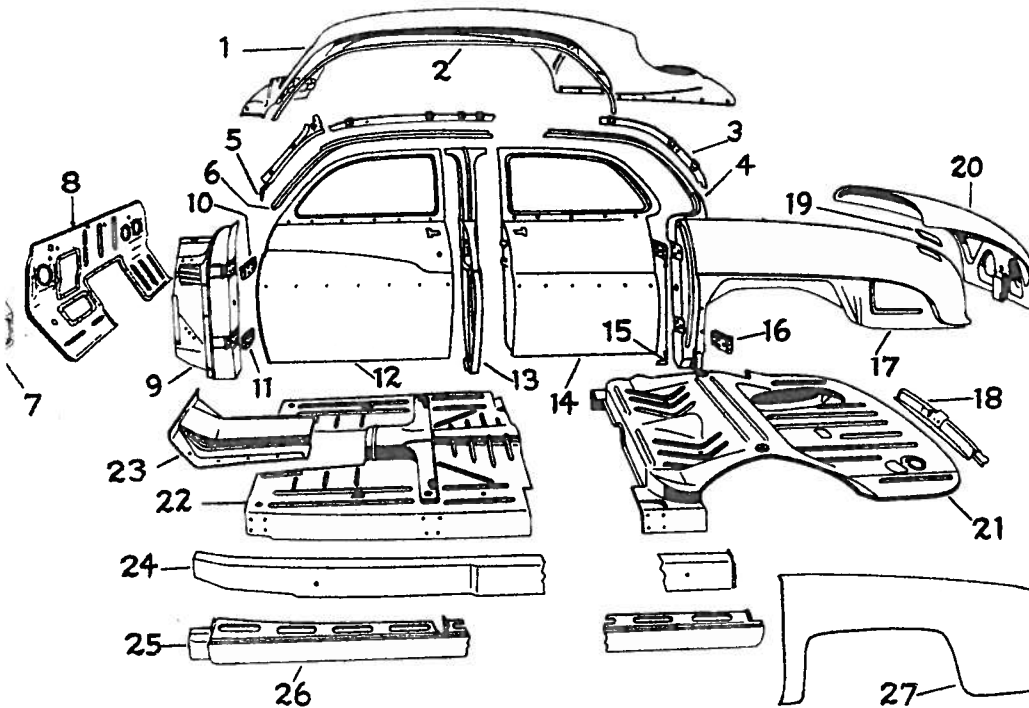


OUTSIDE MOULDING BODY TYPE—72—COUPE

Item	Part No.	Description	Price	Item	Part No.	Description	Price
1	8M-16850	Ornament	7.00	10	8M-7242404	Back wdo. mldg., up. & low.	1.15
2	7A-7003089	Wdsh. finish	2.20	11	8M-7242431	Back wdo. mldg., up. & low.	2.75
3	7A-7008078	Wdshd. center retainer	1.50	12	8M-7229035	Qt. mldg., belt	1.55
4	8M-7020985	Mldg. & clip, reveal, frt.	4.35	13	8M-16383-A	R. fend. mldg.	2.25
5	8M-7020985	Mldg. & wthstp. reveal, R.	4.35	14	8M-7021813	Lock assy.	3.90
6	8M-7251701	Drip midg.	1.35	15	8M-7022400-B	Handle	2.75
7	8M-7229083	Mldg. & clip, qt. wdo. reveal, frt.	1.85	16	8M-7020935	Frt. dr. belt	1.75
8	8M-7229083	Mldg. & clip, qt. wdo. reveal, R.	1.85	17	8M-7020939	Frt. dr. mldg., low.	2.15
9	8M-7242421	Back wdo. div. bar mldg.	1.15	18	8M-16004	Frt. fend mldg.	2.25

BODY PARTS 1949 MERCURY

Model 9M. ALL BODY STYLES



Body Sheet Metal

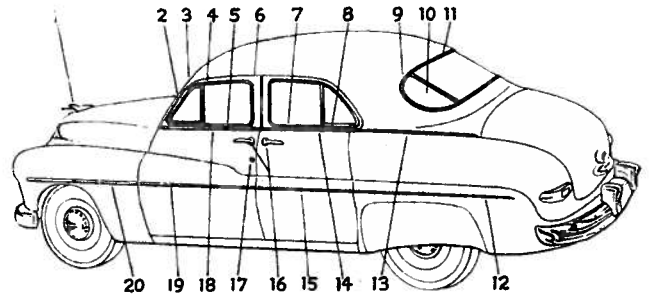
CAR BODY

BODY TYPE—74—SPORT SEDAN		
Item Part No.	Description	Price
1 8M-7450200	Roof pan. assy.	92.25
2 8M-7451701	Drip midg.	1.25
3 8M-7451197	Reinf., side rail	2.00
4 8M-7351185	Side rail	5.35
5 8M-7003619	Ext. (w/shield reinf.)	2.30
6 8M-7351184	Side rail	5.35
7 8M-7001726	Brace (dash to fr.)	1.35
8 8M-7001610	Dash pan. assy.	9.45
9 8M-7002049	Pillar & panel assy.	14.00
10 8M-7022801	Hinge, up. frt.	2.05
11 8M-7022811	Hinge, low. frt.	1.90
12 8M-7320123	Dr. assy. (w/o hinges)	42.00
13 8M-7324300	Pillar assy.	9.15
14 8M-7424623	Dr. assy. (w/o hinges)	47.50
15 8M-7326801	Hinge, up. R.	1.95
16 8M-7326811	Hinge, lower R.	2.10
17 8M-7427701	Quarter panel (complete)	36.25
18 8M-7240320	Pan. assy. (low. back)	5.15
19 8M-7022611	Lid assy. (filler)	1.35
20 8M-7240112	Luggage lid	26.25
21 8M-7011216-B	Pan assy. (rear)	25.00
22 8M-7011135	Pan assy. (frt.)	28.00
23 8M-7012115-A	Plate (trans. cover)	5.00
24 7A-7010111	Floor side mem.	6.25
25 7A-7310128	Rocker panel, R.H.	10.50
26 7A-7310128	Panel assy., rocker, L.H.	10.50
27 8M-16313-B	Fender	17.00

OUTSIDE MOULDING

BODY TYPE—74—4 DOOR SEDAN

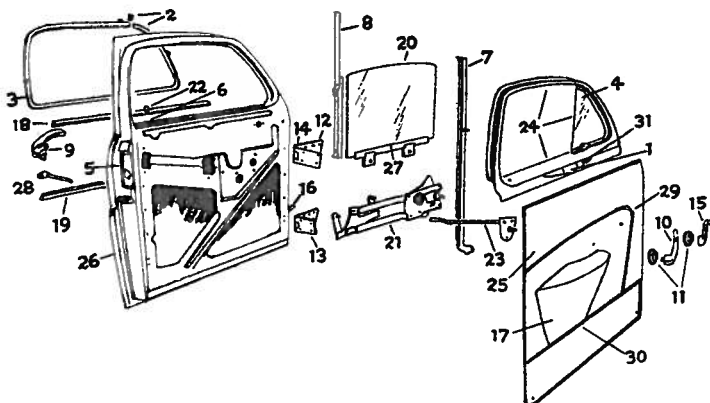
Item Part No.	Description	Price	Item Part No.	Description	Price
1 8M-16850	Ornament	7.00	11 8M-7242421	Mldg., div. bar, L.H.	1.15
2 7A-7003089	Wdash. finish	2.20	12 8M-16383-B	R. fend. mldg.	2.10
3 7A-7003078	Wdash. center retainer	1.50	13 8M-7429035	Qt. mldg., belt	1.35
4 8M-7020985	Mldg. & clip, dr. panel reveal, frt.	4.35	14 8M-7425555	Mldg., R. dr., belt	.95
5 8M-7320985	Mldg. & wthstp. wdo. reveal, rear.	4.35	15 8M-7325557	Mldg., R. dr., low.	1.50
6 8M-7431701	Drip midg.	1.25	16 8M-7022400-B	Handle	2.75
7 7A-7425589	Mldg. & wthstp., R. dr. reveal, frt.	2.80	17 8M-7021813	Lock assy.	3.90
8 8M-7425589	Mldg. & clip, R. dr. reveal, rear.	2.80	18 8M-7320934	Mldg., frt. dr., belt	1.30
9 8M-7242431	Mldg., back wdo., end L.H.	2.75	19 8M-7320939	Mldg., frt. dr., low.	1.85
10 8M-7242404	Mldg., back wdo., up. & low.	1.15	20 8M-16004	Frnt. fend. mldg.	2.25



FRONT DOOR

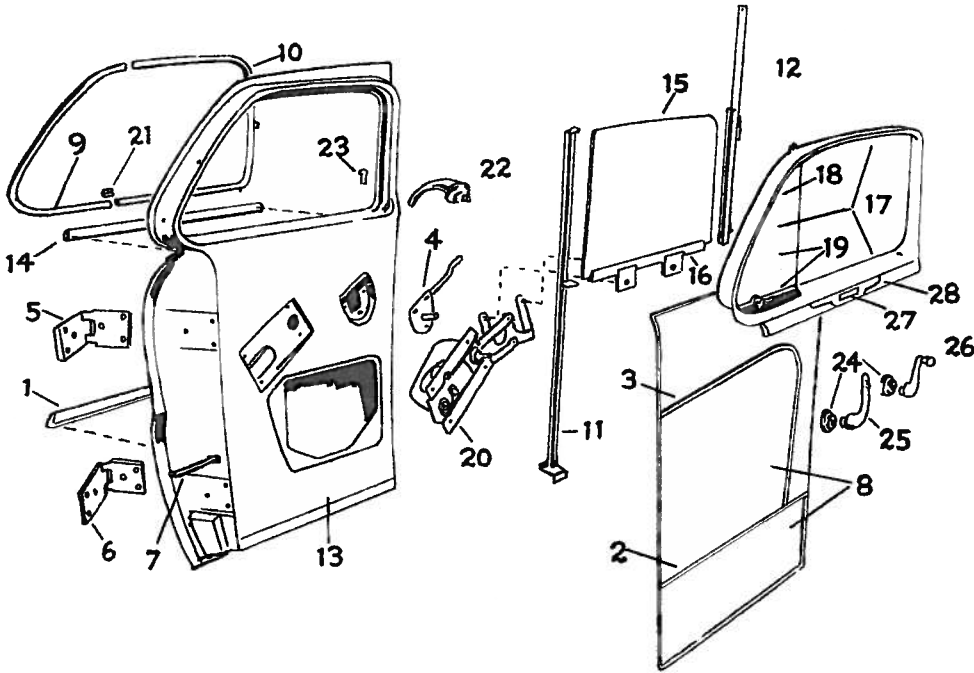
BODY STYLE—74—4 DR. SPORT SEDAN

Item Part No.	Description	Price	Item Part No.	Description	Price
1 8M-7020988	Insert	.80	17 8M-7024141-C	Arm rest	14.85
2 8M-7020985-B	Mldg. & clip (reveal), outside	4.35	18 8M-7024141-D	Arm rest	14.85
3 8M-7020985-B	Mold. & w/strip (reveal)	4.35	19 8M-7320935	Mldg. (outside)	1.30
4 8M-7021412-A	Glass	2.15	20 8M-7320939	Mldg. (outside)	1.85
5 8M-7021813	Lock	3.90	21 8M-7321410-A	Glass	4.45
6 8M-7021853	Rod	.10	22 8M-7323201	Regulator	5.05
7 8M-7022297-B	Bar & brkt.	4.10	23 8A-7021850	Knob	.30
8 7A-7021550	Run	.75	24 8M-7321819	Remote control	1.95
9 8M-7022400-B	Handle (out.)	2.75	25 8M-7321403-A	Fin. strip	24.50
10 8M-7022614	Handle (inside)	1.10	26 8M-7321403-B	Fin. strip	24.50
11 8M-7022618	Escutcheon	.45	27 8M-7321403-C	Fin. strip	24.50
12 8M-7022801	Hinge (upper)	2.05	28 8M-7323943-A	Trim	18.00
13 8M-7022811	Hinge (low.)	1.90	29 8M-7323943-B	Trim	18.00
14 8M-7022840-B	Pin	.10	30 8M-7323943-C	Trim	18.00
15 8M-7023342	Handle (reg.)	1.15	25 8M-7320123	Door (w/o paint, trim & hinges)	42.00
16 8M-7023500	Arm (door check)	.40	27 8M-7321459	Channel	.85
17 8M-7024141-A	Arm rest	14.85	28 8H-7321985	Cyl. & sleeve	1.95
18 8M-7024141-B	Arm rest	14.85	29 8M-7320942-A	Mldg.	1.45
			30 8M-7320956-A	Mldg.	.80
			31 8M-7020946	Retainer	1.45



MERCURY 1949 BODY PARTS

Model 9M. ALL BODY STYLES



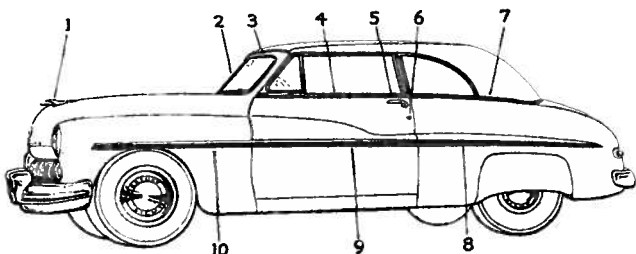
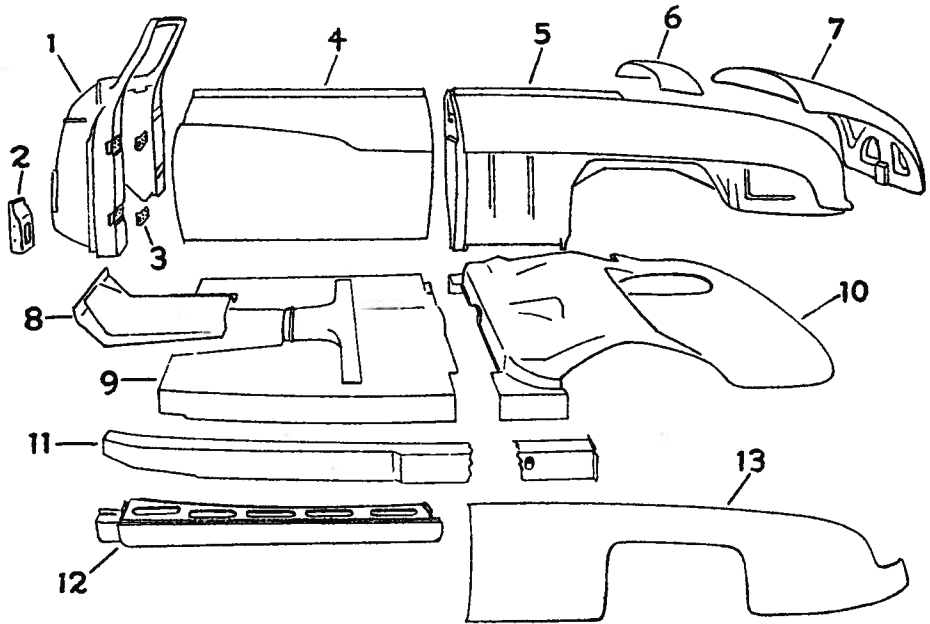
REAR DOOR BODY STYLE—74—4 DR. SPORT SEDAN

Item	Part No.	Description	Price
1	8M-732557	—Midg.	1.50
2	8M-732557B-A	—Midg.	.85
3	8M-732559	—A—Midg.	1.45
4	8M-7326405	—Remote control	1.95
5	8M-7326801	—Hinge (upper)	4.10
6	8M-7326811	—Hinge (low.)	2.10
7	8M-7327200	—Arm (door check)	.45
8	8M-7327407-D	—Door trim	8.30
9	8M-7425589	—Midg. & clip	2.80
10	7A-7425589	—Midg. & w/strip (reveal)	2.80
11	8M-7422297	—Bar & brkt.	3.70
12	7A-7021550	—Run	.75
13	8M-7424623-A	—Door (w/o hinges, prime & trim)	47.50
14	8M-7425555	—Midg.	.95
15	8M-7425712-A	—Glass	4.00
16	7A-7426229	—Channel	.75
17	8M-7426867-A	—Vent wind. door, complete	24.00
17	8M-7426867-B	—Vent wind. door, complete	24.00
17	8M-7426867-C	—Vent wind. door, complete	24.00
18	8M-7426870-A	—Vent glass	2.30
19	7A-7426869	—Glass & frame	10.25
20	8M-7427001	—Regulator	4.15
21	7A-7020925	—Clip	.05
22	8M-7022400	—Handle	2.75
23	8A-7021850	—Knob	.30
24	8M-7022618	—Escutcheon	.45
25	8M-7022614	—Handle	1.10
26	8M-7023342	—Handle	1.15
27	8M-7020988	—Insert	.80
28	8M-7020946	—Retainer	1.45

CAR BODY

BODY TYPE—76—CONVERTIBLE

Item	Part No.	Description	Price
1	8M-7600120-B	—Front assy.	121.75
2	8M-7001726	—Brace (dash to fr.)	
3	8M-7022811	—Hinge assy., L.H. low.	1.90
3	8M-7022801	—Hinge assy., L.H. up.	2.06
4	8M-7620123	—Door (prime)	50.00
5	8M-7827841	—Qt. panel assy.	24.50
6	8M-7640314	—Up. back panel assy.	4.70
7	8M-7240112	—Lug. dr. assy.	26.25
8	8M-7012115-A	—Trans. cover plate, 10 1/2"	5.25
8	8M-7012115-B	—Trans. cover plate, 16"	5.00
9	8M-7611135	—Pan & reinfmt., frt.	25.25
10	8M-7611215-B	—Pan., R. fr.	44.75
11	7A-7610111	—Side member	
12	8M-7610129	—Rocker panel	9.25
13	8M-16313-A	—Fender	

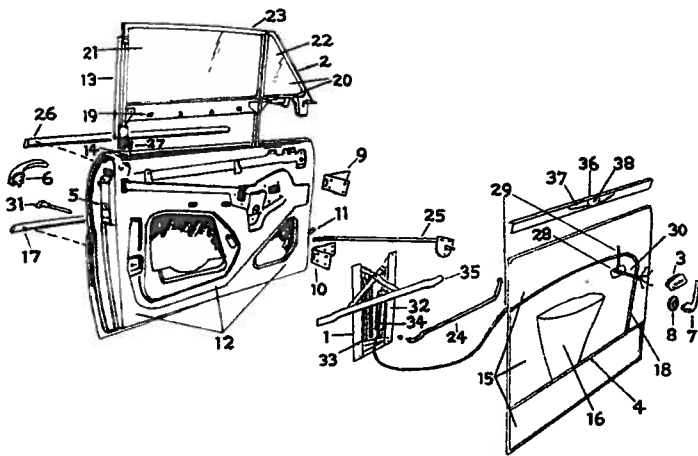


OUTSIDE Moulding BODY TYPE—76—CONVERTIBLE

Item	Part No.	Description	Price	Item	Part No.	Description	Price
1	8M-16850	—Ornament	6.20	6	8M-7021813	—Lock assy.	3.90
2	7A-7003089	—Wdshd. finish	2.20	7	8M-7629035	—Qt. midg., belt	1.35
3	7A-7003078	—Wdshd. center retainer	1.50	8	8M-16383-A	—R. fend. midg.	2.25
4	8M-7020935	—Midg.	2.75	9	8M-7020939	—Midg., dr., low.	2.15
5	8M-7022400-B	—Handle		10	8M-16004	—Frt. fend. midg.	2.25

BODY PARTS 1949 MERCURY

Model 9M. ALL BODY STYLES



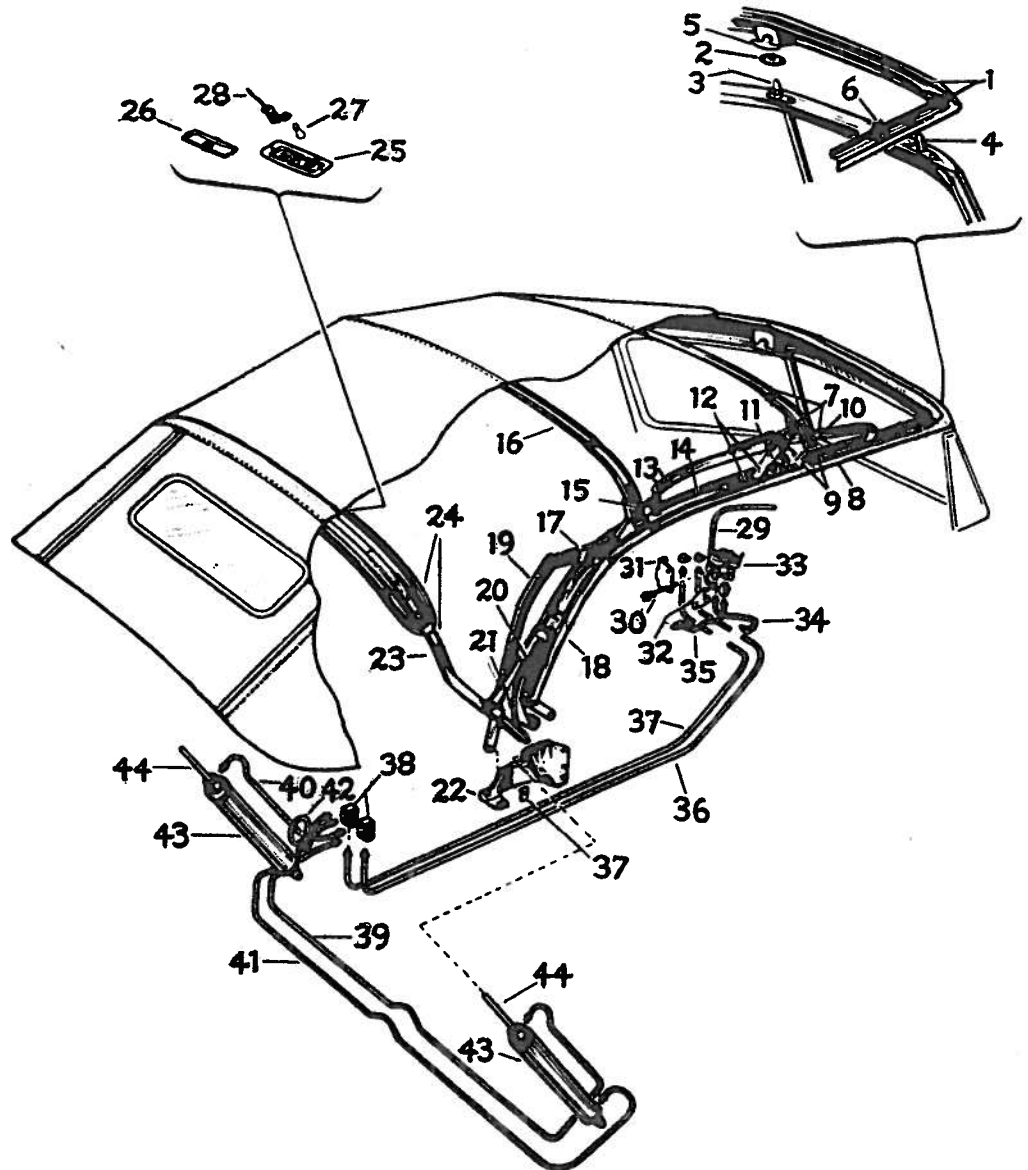
DOORS

BODY TYPE-76-CONVERTIBLE

Item	Part No.	Description	Price	Item	Part No.	Description	Price
1	8M-7623201	Regulator	15.10	21	8M-7621410-A	Glass	6.95
2	8M-7621403	Vent, complete	42.50	22	8M-7621412-A	Glass assy.	2.50
3	8H-7223302	Switch & hng.	4.30	23	8M-7622219	Frame	29.00
4	8M-7020956-A	Mldg., trim.	1.20	24	7EH-7253351	Tube (vent to dr. reg.)	.85
5	8M-7021813	Lock	3.90	25	8M-7021819	Remote control	2.25
6	8M-7022400-B	Handle, out.	2.75	26	8M-7020935	Mldg. (outside)	1.75
7	8M-7022614	Handle, inside	1.10	27	8A-7021850	Knob	.30
8	8M-7022618	Escutcheon	.45	28	8H-7224233	Mtg. plate	.40
9	8M-7022801	Hinge (upper)	2.05	29	8H-14508	Wiring (switch, solen.)	.65
10	8M-7022811	Hinge (low.)	1.90	30	8M-14401	Wiring (to dash)	23.20
11	8M-7023500	Arm (check)	.40	31	8H-7321985	Cyl. & sleeve assy.	1.95
12	8M-7620123	Door (less hinges)	50.00	32	8L-7323244	Hyd. cylinder	8.25
13	7A-7621809	Run	2.40	33	8H-7353329	Spring, outer	.85
14	8M-7621853	Rod	.15	34	8H-7353330	Spring, inner	.80
15	8M-7623943-A	Trim	25.00	35	51A-7123236	Brkt.	.10
16	8M-7623943-B	Trim	25.00	36	8M-7620965-A	Fin. strip	7.15
17	8M-7623943-C	Trim	25.00	37	8M-7620965-B	Fin. strip	7.15
18	8M-7624141-A	Arm rest	20.50	38	8M-7620965-C	Fin. strip	7.15
19	8M-7624141-B	Arm rest	20.00	39	8M-7620965-D	Fin. strip	7.15
20	8M-7624141-C	Arm rest	21.00	40	8M-7020946	Retainer	1.45
21	8M-7020939	Mldg.	2.15	41	8M-7020988	Insert	.80
22	8M-7020943-A	Mldg. (trim)	1.90				
23	8M-7621459	Channel	2.25				
24	8M-7621229	Retain. & glass assy.	12.50				

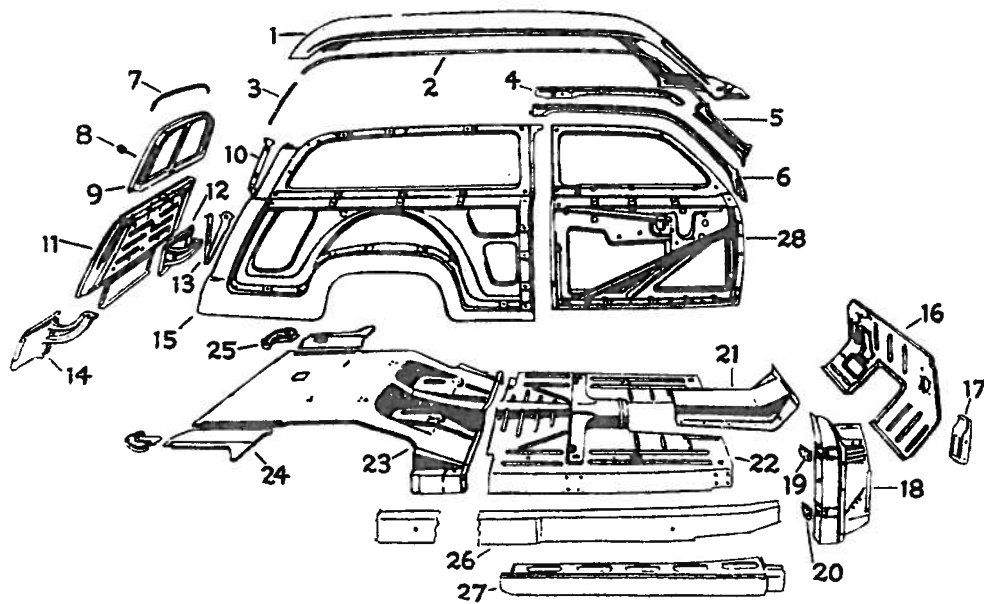
CONVERTIBLE TOP BODY STYLE-76

Item	Part No.	Description	Price
1	8M-7651270	No. 1, bow, hder & brkts.	55.00
2	8H-7651418	Protec. plates	1.45
3	8H-7603442	Dowel	2.80
4	8H-7603468	Dowel	2.75
5	8H-7603570	Handle	2.65
6	8H-7650891	Brkt.	.80
7	8M-7651264	No. 2, bow & lns	23.00
8	8M-7653007	Side rail	19.00
9	8M-7653009	Hinge & link, L.H.	9.65
10	8M-7650310	Link, sr. control, front	4.75
11	8M-7650308	Link, sr. control, rear	2.95
12	8M-7653011	Hinge & link	8.70
13	8M-7650433	Link, No. 1	7.50
14	8M-7651155-B	Side rail	24.25
15	8H-7651256	Plate, tapping, No. 3 bow	.70
16	8M-7651269-B	No. 3, bow, main	2.90
17	8M-7653171-B	Hinge, rear sr.	6.50
18	8M-7653197	Pillar rail, complete	24.50
19	8M-7650464-B	Link, balance	7.10
20	8M-7650370	Link, power, upper	4.25
21	8M-7650418	Link, power, low	3.20
22	8M-7653119-B	Brkt. mtg.	9.25
23	8M-7650341	Slat iron, rear	7.80
24	8M-7651278	Rear bow w/irons	30.50
25	8L-13788	Door, lamp	1.15
26	8M-13783-B	Lens	.55
27	B-13799	Bulb, 15 c.p.	.21
28	8L-13793	Socket	.65
29	8M-7653344-C	Tube, hyd. reg.	1.50
30	8M-7650570-C	Rod & knob	1.15
31	8M-16930-D	Brkt.	.30
32	8M-7601658-B	Brkt.	.46
33	5EH-7650738	Valve	5.15
34	8M-7653341-B	Hose, return	1.50
35	8M-7653342	Hose, supply	1.25
36	8M-7653361-C	Tube, supply, upper	3.00
37	8M-7653363-C	Tube, supply, low	2.00
38	351707-S	Tee	.50
39	8M-7653390	Tube, up., R.H.	2.00
40	8M-7653391	Tube, up., L.H.	.80
41	8M-7653392	Tube, low, R.H.	1.75
42	8M-7653393	Tube, low., L.H.	.65
43	8A-7650601	Cyl. less yoke	8.50
44	8A-7650774	Yoke, cyl.	3.80



MERCURY 1949 BODY PARTS

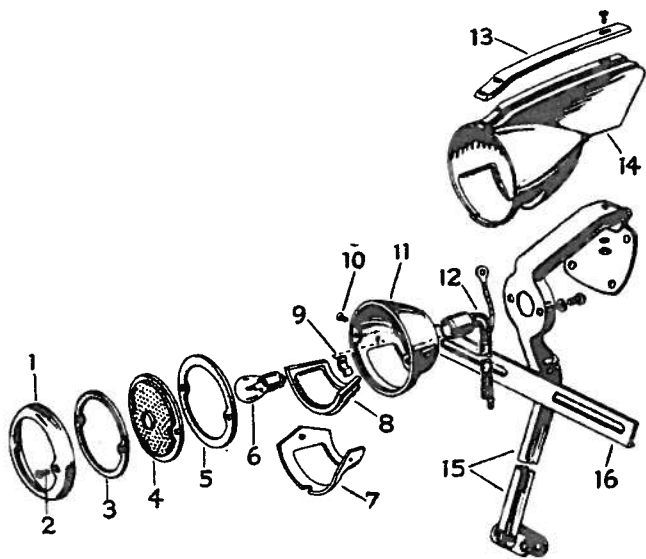
Model 9M. ALL BODY STYLES



Body Sheet Metal

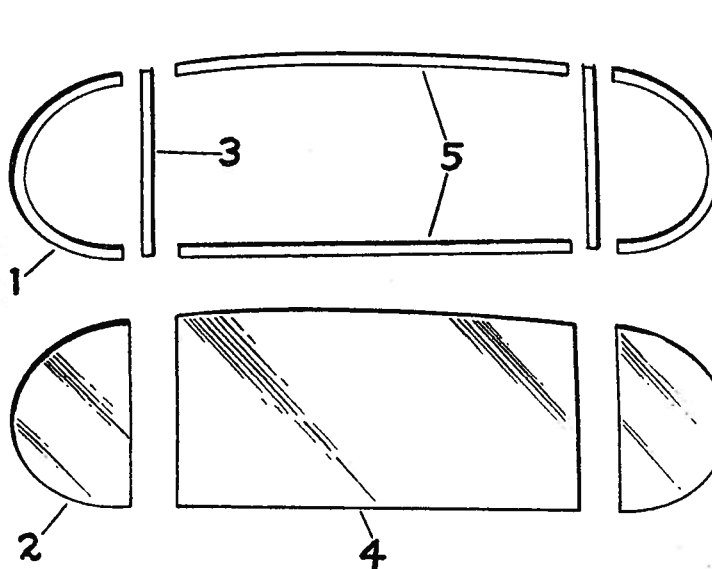
BODY BODY STYLE-79-STATION WAGON

Item	Part No.	Description	Price
1	8M-7950026	Panel	121.25
2	7A-7951711	Drip midg., L.H.	1.60
3	8M-7951715	Drip midg., R.H.	.20
4	8M-7951191	Rein. rail, L.H.	1.70
5	8M-7903819	Ext. (w/shield)	3.95
6	7A-7951185	Rail, L.H.	4.50
7	7A-7951704	Drip midg., rear	1.75
8	8A-7943429	Handle	1.90
9	8M-7942002-AU	Frame	57.50
10	7A-7942059	Support, L.H.	.75
11	8M-7940700	Tail gate	158.50
12	8M-7940321	Panel (lower, L.H.)	4.85
13	8M-7944401-B	Rod (gate sup., L.H.)	9.30
14	8M-7940320-A	Panel (low., R.H.)	4.85
14	8M-7940320-B	Panel (low., R.H.)	6.35
15	8M-7927841	Panel (side)	93.75
16	8M-7001610-B	Dash panel	9.46
17	8M-7001726	Brace (dash to fr.)	1.35
18	8M-7902043	Pillar & panel, L.H.	17.75
19	8M-7922801	Hinge	3.75
20	8M-7022811	Hinge	1.90
21	8M-7012115-A	Plate (std. trans. cover)	5.25
21	8M-7012115-B	Plate (auto. trans. cover)	5.00
22	8M-7911135	Pan (front)	23.00
23	8M-7911215	Pan (rear)	54.75
24	7A-7911256	Exten., R.H.	1.50
24	7A-7911257	Exten., L.H.	1.50
25	8M-7912186	Plate, R.H.	.85
25	8M-7912187	Plate, L.H.	.85
26	8M-7910111	Member, L.H.	7.30
27	8M-7910129	Rocker panel	8.50
28	8M-7920123-C	Door	60.50



REAR LAMP STATION WAGON

Item	Part No.	Description	Price	Item	Part No.	Description	Price
1	40-13448	Door	.35	9	B-13446	Retainer	.02
2	30170-S13	Screw	.03	10	20546-S	Screw	.03
3	40-13461	Gasket	.12	11	8A-13408	Body	2.60
4	40-1345-A	Lens	.40	12	8A-13410-B	Wire & socket	1.25
5	40-13460	Gasket	.12	13	8A-13476	Midg.	.70
6	11A-13465	Bulb	.30	14	8A-13454	Shell	1.30
7	40-13447	Gasket	.12	15	8M-13425	Hinge	3.00
8	40-13445	Lens	.25	16	7A-13446	Gasket	.02

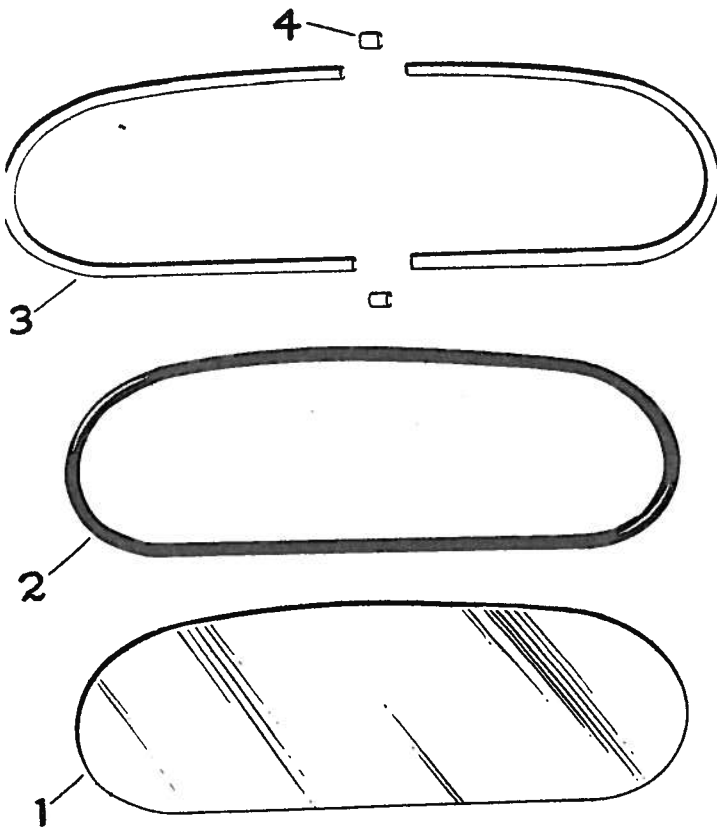


BACK WINDOW BODY STYLE-72-COUPÉ 74-4 DOOR SEDAN EARLY TYPE

Item	Part No.	Description	Price	Item	Part No.	Description	Price
1	8M-7242431	Midg., outside, L.H. end	1.80	4	8M-7242016	Glass, center	16.71
2	8M-7242019	Gls., L.H., end	4.75	5	8M-7242404	Midg., upper & low.	1.1
3	8M-7242421	Midg., div. bar, L.H.	1.15				

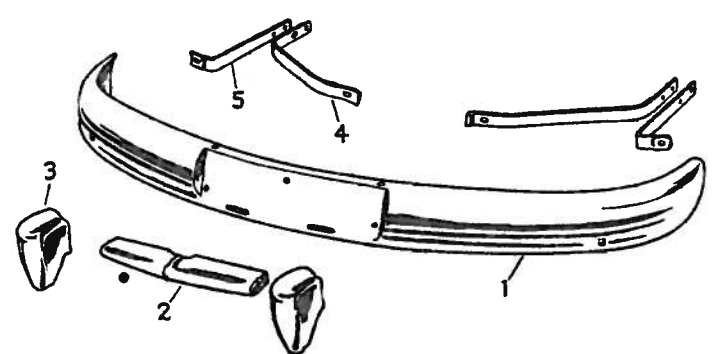
BODY PARTS 1949 MERCURY

Model 9M. ALL BODY STYLES



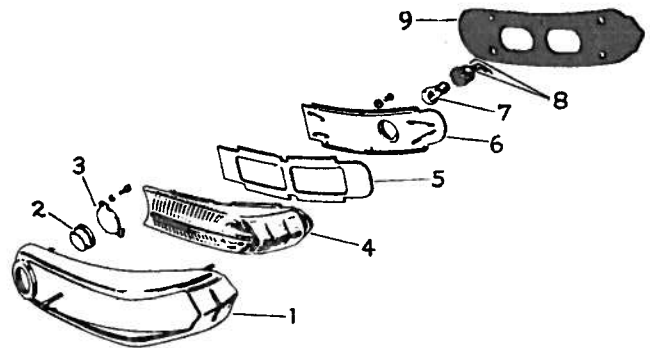
BACK WINDOW
BODY STYLE—72 & 74
LATE TYPE

Item Part No.	Description	Price	Item Part No.	Description	Price
1	8M-7242006—Glass	30.50	4	8M-7242432-B—Clip, upper & low.	.10
2	8M-7242084-B—wthstp.	6.90			
3	8M-7242430-C—Midg., L.H.	2.75			



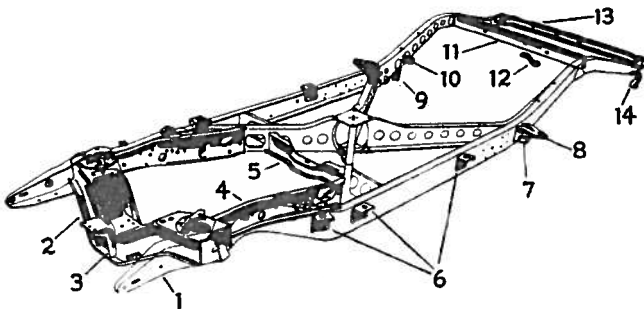
REAR BUMPER
ALL MODELS (EXCEPT STATION WAGON)

Item Part No.	Description	Price	Item Part No.	Description	Price
1	8M-17906-A—Bar, impact	27.15	4	8M-17788-A—Hanger, inner, L.H.	2.20
2	8M-17804-A—Guard, lic. plt.	5.55	5	8M-17796-A—Hanger, outer, L.H.	1.35
3	8M-17985-A—Guard, L.H.	6.15			



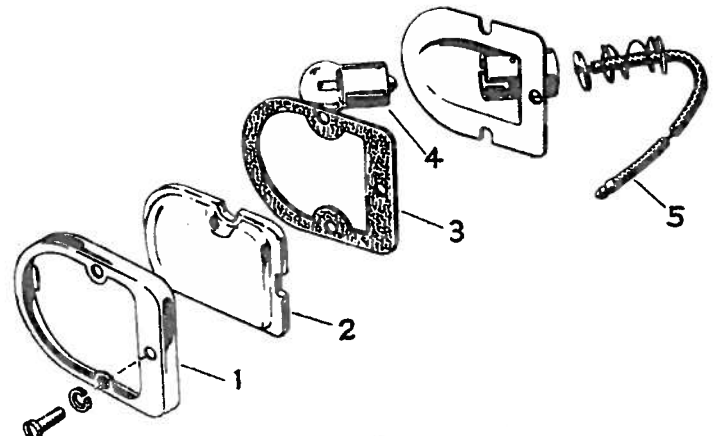
REAR LAMP
EXCEPT STATION WAGON

Item Part No.	Description	Price	Item Part No.	Description	Price
1	8M-13405-A—Lamp assy.	8.15	5	8M-13461—Gasket	.20
2	8M-13449—Door	2.50	6	8M-13440-A—Body	.40
3	8M-13437—Reflector	.25	7	11A-13465—Bulb	.30
4	8M-13456—Retainer	.05	8	8M-13410-A—Socket	1.40
5	8M-13451-A—Lens	1.05	9	8M-13420—Pad	.40



FRAME
BODY STYLES—72, 74, 76

Item Part No.	Description	Price	Item Part No.	Description	Price
1	8M-5005-A—Frame assy. (72-74)	135.00	8	8M-5078—Brkt. fr. to body, rear	1.20
1	8M-5005-C—Frame assy. (76)	208.30	9	8M-2530—Brkt., H.B. cable, rear, R.H., exc. 76	.30
2	8M-5019—F. cross member, all	20.00	10	8M-5233—Brkt., exh. pipe	.30
3	8M-5073—Brkt., rad. sup. (exc. 76)	1.30	11	8M-5029-C—Interm. cross memb. assy.	5.10
4	8M-5122—"K" bar assy.	6.70	12	8M-9066—Hanger assy., fuel tank	.95
5	8M-8059—Brkt., R. engine sup., exc. 76	4.10	13	8M-5035-A—Rear cross memb. assy.	6.00
6	8M-5075—Brkt., fr. to body, front	.55	14	8M-5611—Hanger, R. spring shackle	1.95
7	8M-5775—Hanger assy., R. spring	2.10			

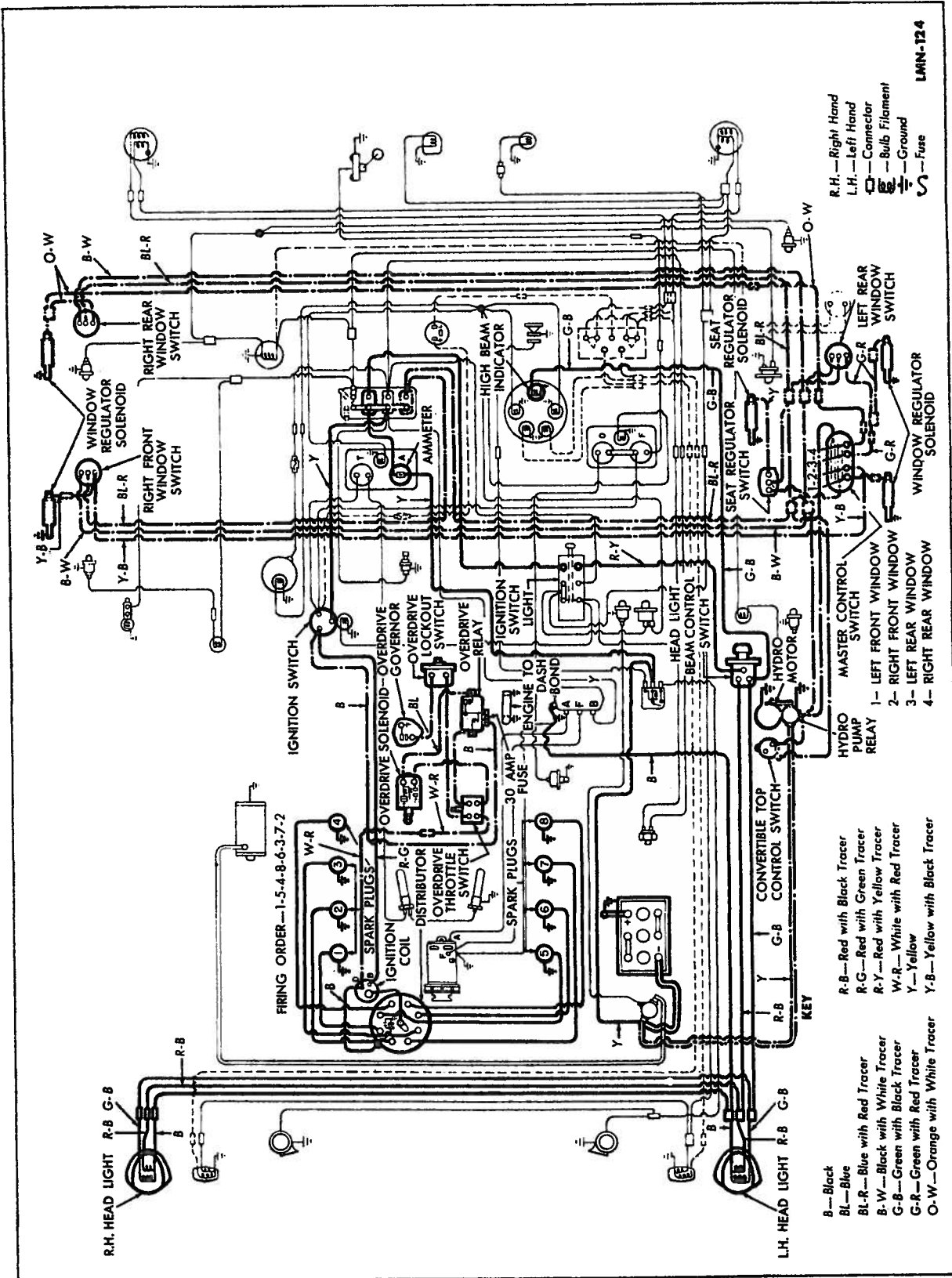


LICENSE PLATE LAMP
EXCEPT 79—STATION WAGON

Item Part No.	Description	Price	Item Part No.	Description	Price
1	8M-13550—Lamp assy.	2.10	3	7RA-13568—Gasket	.05
1	7RA-13566—Door	.50	4	13466—Bulb	.10
2	7RA-13564—Lens	.15	5	8M-13412—Wiring & socket	.25

MERCURY 1949 WIRING

Model 9M. ALL BODY STYLES

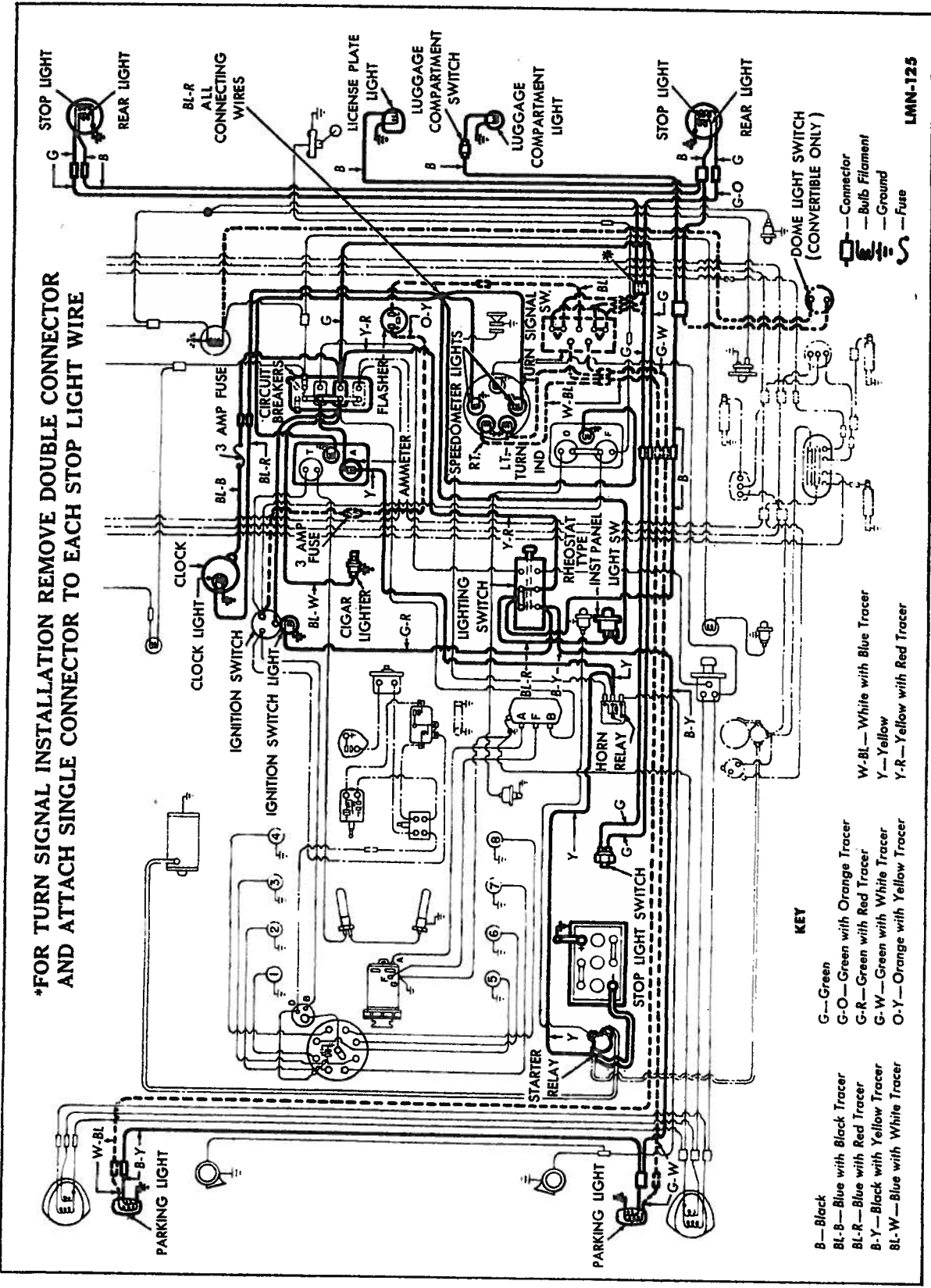


1949 MERCURY SCHEMATIC WIRING DIAGRAM
HEAD LIGHTS, HIGH BEAM INDICATOR, IGNITION, OVERDRIVE, HYDRAULIC WINDOW AND SEAT REGULATION CIRCUITS

WIRING 1949 MERCURY

Model 9M. ALL BODY STYLES

*FOR TURN SIGNAL INSTALLATION REMOVE DOUBLE CONNECTOR AND ATTACH SINGLE CONNECTOR TO EACH STOP LIGHT WIRE



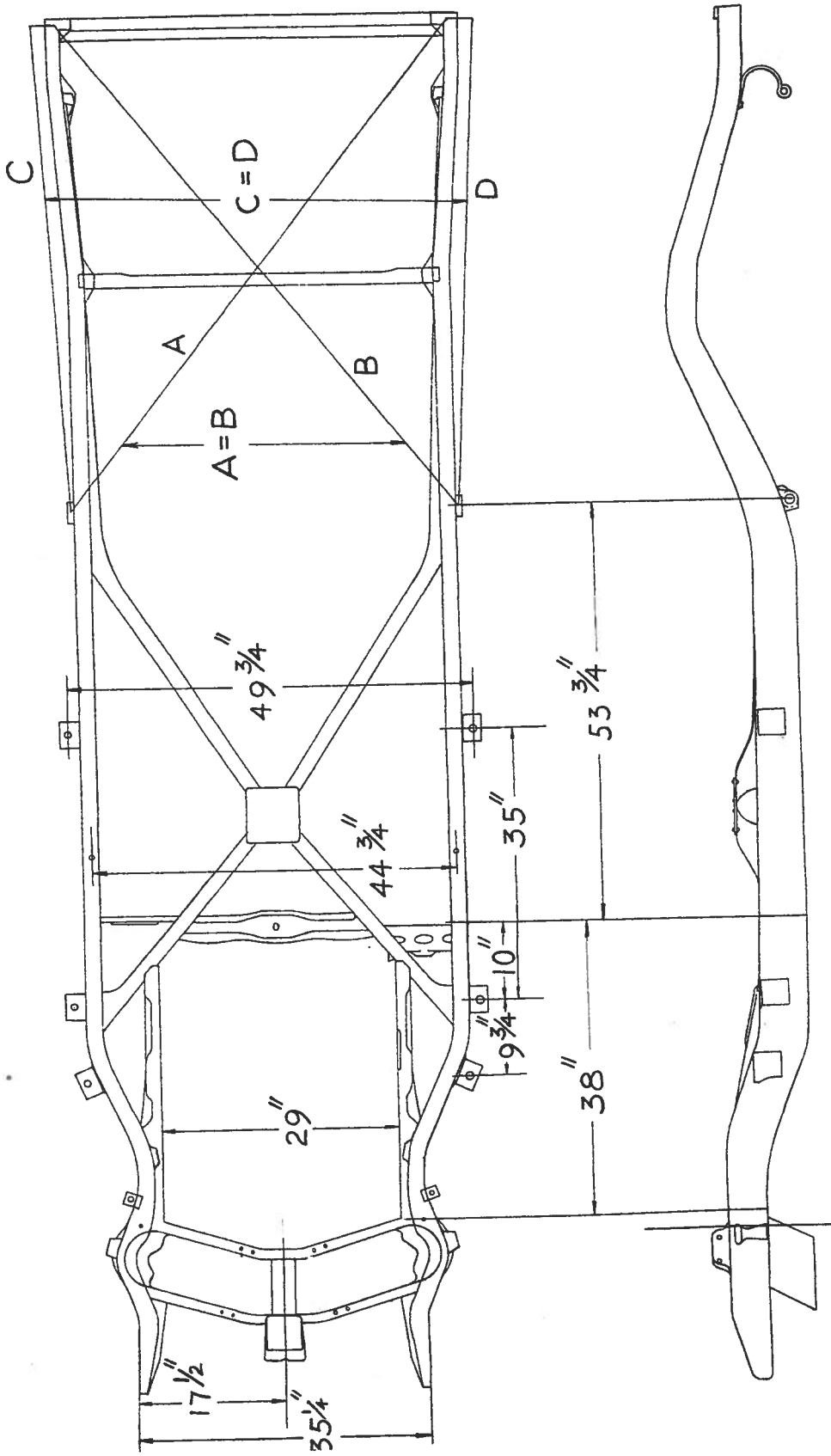
- KEY**
- B—Black
 - BL—Blue with Black Tracer
 - BL-B—Blue with Red Tracer
 - BL-R—Blue with Yellow Tracer
 - B-Y—Black with Yellow Tracer
 - BL-W—Blue with White Tracer
 - G—Green
 - G-O—Green with Orange Tracer
 - G-R—Green with Red Tracer
 - G-W—Green with White Tracer
 - O-Y—Orange with Yellow Tracer
 - W-BL—White with Blue Tracer
 - Y—Yellow
 - Y-R—Yellow with Red Tracer

1949 MERCURY SCHEMATIC WIRING DIAGRAM

PARKING LIGHT, IGNITION LIGHT, INSTRUMENT PANEL LIGHTS, CLOCK, CIGAR LIGHTER, REAR LIGHTS, LUGGAGE COMPARTMENT LIGHT, LICENSE LIGHT, TURN SIGNAL, STOP LIGHTS AND CONVERTIBLE DOME LIGHT CIRCUITS

MERCURY 1949 FRAME

Model 9M. ALL BODY STYLES



FLAT RATE 1949 MERCURY

Model 9M. ALL BODY STYLES

Chilton Job No.	Chilton Labor Price	Chilton Job No.	Chilton Labor Price	Chilton Job No.	Chilton Labor Price	Chilton Job No.	Chilton Labor Price	Chilton Job No.	Chilton Labor Price	Chilton Job No.	Chilton Labor Price	Chilton Job No.	Chilton Labor Price	Chilton Job No.	Chilton Labor Price	Chilton Job No.	Chilton Labor Price
A		A—continued		A—continued		B—continued		C—continued		C—continued		E		E—continued		F—continued	
1	2.50	7	2.00	20x	10.00	9		2	28.00	15	1.25	1	60.00	11	62.00	2	26.00
2	1.75	8	1.25			10		3	22.00			2	28.00	12	28.00	3	26.00
3		9	3.50			11	3.25	4	1.75			3	22.00	13	22.00	4	1.75
4	18.50	10				12	3.75	5	4.00			4	21.00	14	125.00	5	4.50
4a		11	3.00	B		13		6	2.00	D		5		15	115.00	6	2.00
4b	2.25	12	4.50	1	8.50	14	3.25	7		1	3.00	6		16		7	2.00
4c	5.50	13	1.50	1a	5.50	15	1.25	8	4.00	2	2.50	7		17		8	4.00
5		14		2	28.00			9		3	1.75	8		18	12.00	9	
5a		15	.75	3	22.00	C		10		4	10.00	9		19	12.00	10	
5b		16		4	1.75	1	7.50	11	3.25	5		10		20	12.00	11	
5c		17	1.50	5	4.00	1a	5.00	12	3.75	6	2.00	11	80.00	12		12	
5d		18	13.00	6	2.00			13		7	2.00	12	45.00	13		13	
6	22.00	20	7.50	7	2.00			14	3.25	8		13	7.00	14		14	
				8	4.00					1a		14	3.00	1a	5.00	15	3.25

STEERING GEOMETRY

CASTER: 1/2 degree negative to 1/2 degree positive.

CAMBER: Zero degree to 3/4 degree positive

TOE-IN: 3/32 to 5/32.

KING PIN INCLINATION: 5 degree.

ALL MODELS

CAMBER: Is controlled by eccentric bushing at upper suspension arm.

CASTER: Is adjusted by turning sleeve in the lower suspension arm. Turn towards the rear of the car to decrease caster, towards front to increase.

TOE-IN: Centralize steering and adjust both tie-rods to give correct toe-in.

