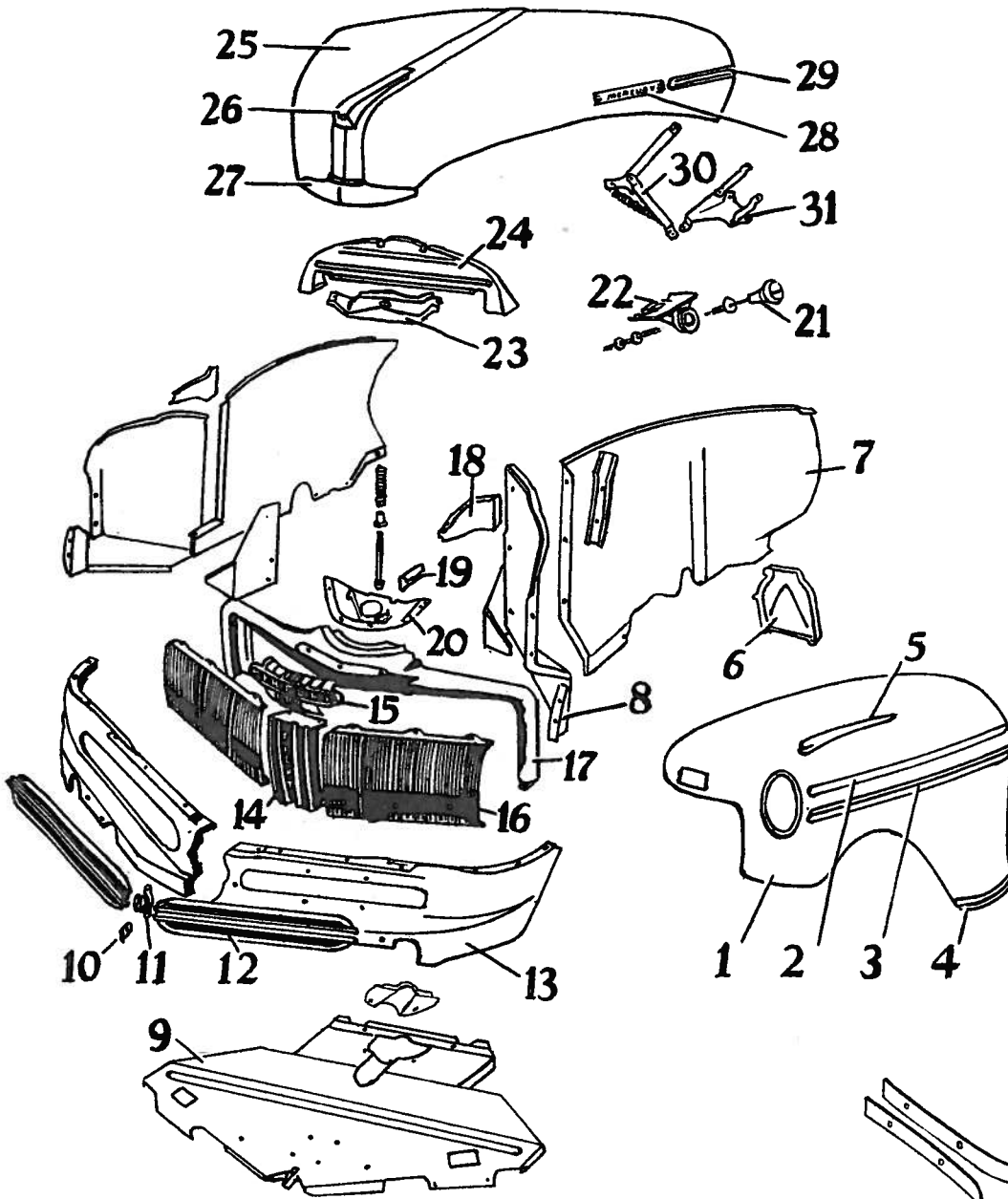


# MERCURY 1946 to 1948 BODY PARTS

Models 69M, 79M, 89M. ALL BODY STYLES



## FRONT FENDER ALL MODELS

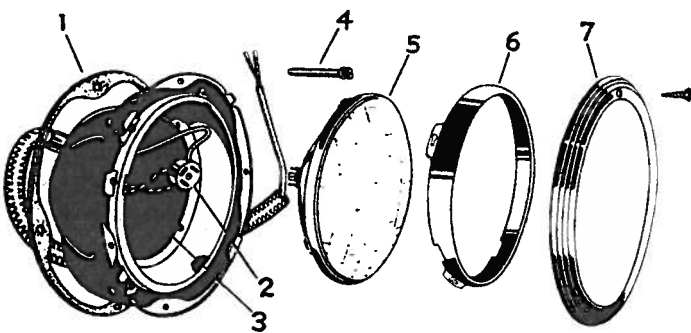
Item Part No.	Description	Price
1	29A-16006—Fender	25.3
2	29A-16004-A—Mould.	1.4
3	59A-16169—Mould.	1.9
4	29A-16211-A—Mould.	2.9
5	29A-16188-A—Ornament	2.1
6	29A-16094—Brace	.8
7	59A-16083-C—Apron	7.0
8	29A-8103—Deflector	2.1
9	59A-8108-A—Extension	4.7

## GRILLE ALL MODELS

Item Part No.	Description	Price
10	59A-8193—Mould. (deflector, center)	.3
11	59A-8212—Cover assy. (crank hole)	.5
12	59A-8196—Grille (deflector)	4.5
13	59A-17745—Deflector (stone)	6.2
14	59A-8158—Ornament, 1946-7	4.0
14	6M-8158—Ornament, 1947-8	4.0
15	59A-8168—Ornament, 1946-7	3.3
15	6M-8168—Ornament, 1947-8	3.3
16	59A-8150—Grille	9.0
17	59A-8350—Frame, 1946-7 (prime)	13.9
17	6M-8350—Frame, 1947-8	19.6
18	29A-8175—Brace (grille to apron)	.6

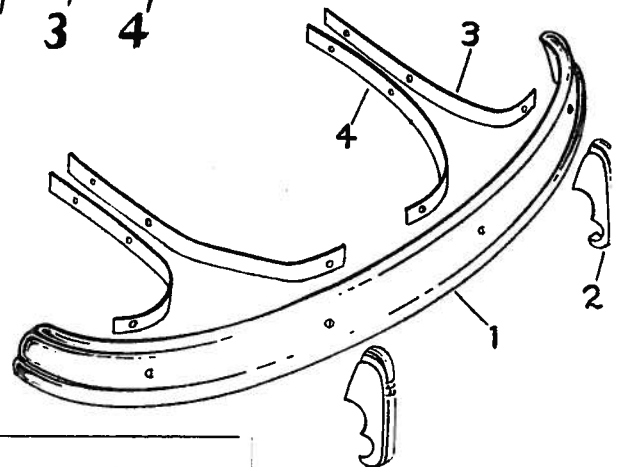
## HOOD ALL MODELS

Item Part No.	Description	Price
19	29A-16923—Hsng. (hood release)	.0
20	29A-8162—Panel	2.3
21	29A-16916D—Cable assy.	1.5
22	51A-16930-E—Brkt.	.4
23	59A-16848—Strainer	1.5
24	59A-16629-B—Deflector	1.8
25	59A-16612-B—Hood assy., 1946-7	45.0
25	6M-16612-A—Hood assy., 1947-8	45.0
26	6M-16850—Ornament	2.4
27	59A-16607—Ornament	1.6
28	51A-16605—Name plate (sportsmn.), 1946	1.1
28	6M-16605-A—Name plate, 1947-8	1.0
29	59A-16723—Mould., 1946-7	2.0
29	6M-16723—Mould., 1947-8	2.0
30	51A-16783—Support	1.4
31	11A-16797-B—Hinge	1.4



## HEAD LAMP ALL MODELS

Item Part No.	Description	Price
	29A-13002-A—Hdimp. assy., (w/o bulb)	5.50
	51A-13002—Hdimp. assy.	5.50
1	11A-13044-A—Gasket	.30
2	29A-13076—Socket & wiring	1.25
3	11A-13031—Spring	.05
4	11A-13032—Adj. screw	.70
5	09A-13007—Bulb	1.30
6	11A-13018-A—Ring	.55
7	.21A-13045-A—Door, 1946-47	.80
7	6A-13045—Door, 1947-8	1.25

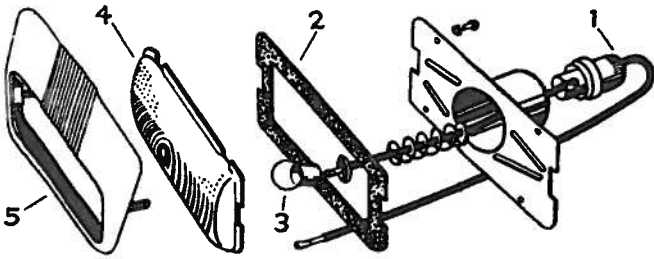


## FRONT BUMPER ALL MODELS

Item Part No.	Description	Price
1	29A-17757—Bar (impact)	\$20.04
2	29A-17997—Guard, 1946-7	4.54
2	6M-17997—Guard, 1947-8	4.54
3	29A-17755—Arm, outer	2.04
4	29A-17767—Arm, inner	2.04

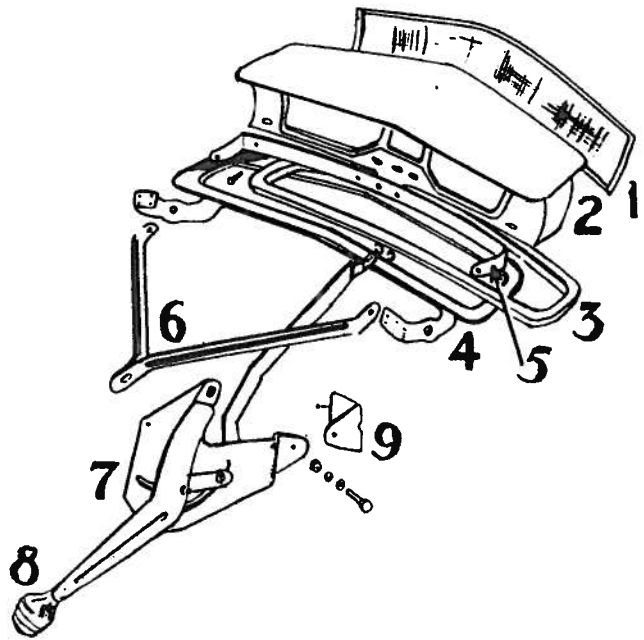
# BODY PARTS 1946 to 1948 MERCURY

## Models 69M, 79M, 89M. ALL BODY STYLES



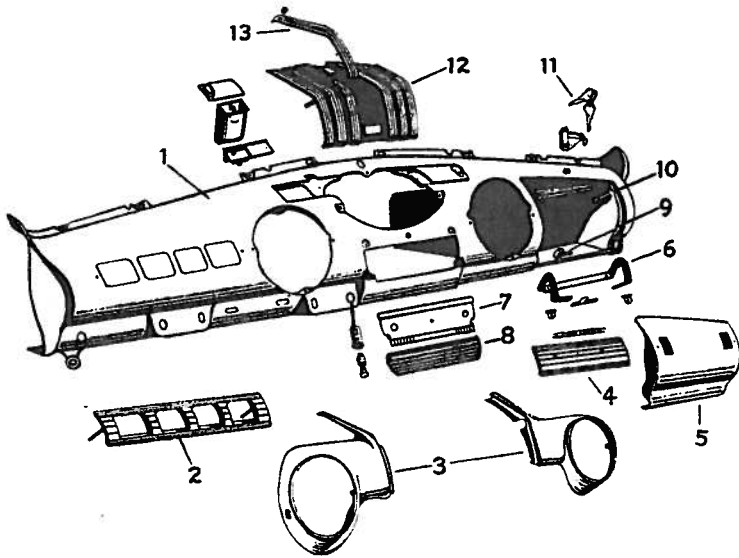
### PARKING LAMP ALL MODELS

Item Part No.	Description	Price	Item Part No.	Description	Price
29A-13201-A3	Lamp assy..	2.60	4 29A-13209-B	Lens (5 notches)	.30
1 29A-13234	Socket & wiring	1.00	5 29A-13237-A	Cover (6 notches)	1.50
2 29A-13211-A	Gasket	.10	5 29A-13237-B	Cover (5 notches)	1.50
3 B-13466	Bulb	.10	6M-13234	Socket & wiring	1.30
4 29A-13209-A	Lens (6 notches)	.30			



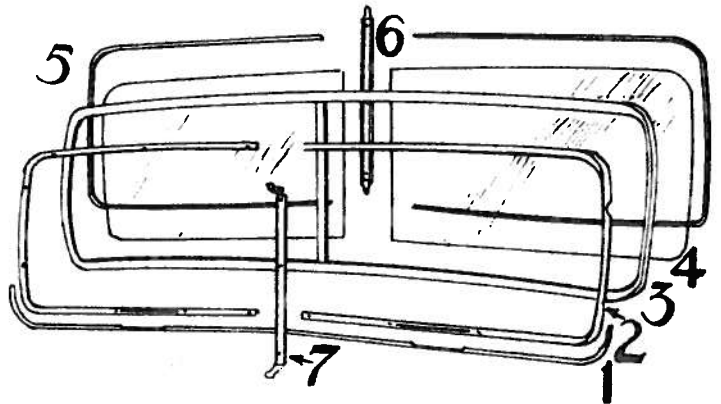
### COWL VENTILATOR ALL MODELS

Item Part No.	Description	Price	Item Part No.	Description	Price
1 29A-7002329-A	Screen	.90	5 21A-7002210	Hinge, 1946-48	.35
2 51A-7002108	Cover & deflector (w/o screen), 1946-48	1.85	6 51A-7002187	Brace, L.H., 1946-48	.35
2 21A-7002108-B	Cover & deflector (w/screen) 1946-48	1.85	7 51A-7002117-A	Plate & arm, 1946-48	2.20
3 51A-7002330	Wthstp., 1946-48	.45	8 59A-7213-A	Knob, 1946-48	.40
4 21A-7002128-A	Hinge & reinfmt., 1946-48	.60	9 21A-7002185	Brkt., 1946-48	.15



### INSTRUMENT PANEL ALL MODELS

Item Part No.	Description	Price	Item Part No.	Description	Price
1 59A-7004320-C	Panel (brown), 70, 72, 73, 1946-7	13.10	4 6M-7006090-A	Panel (tan), 72, 3, 6, 9, 1947-8	1.45
1 59A-7004320-B	Panel (gray-gr.), 70, 72, 73, 76, 79, 1946-7	13.10	5 59A-7006024-C	Door (brown), 70, 2, 3, 6, 9, 1946-7	2.90
1 59A-7104320	Panel (mahog.), 71, 76, 79, 1946-8	24.50	5 59A-7006024-B	Door (gray), 70, 2, 3, 6, 9, 1946-7	2.70
1 6M-7004320-B	Panel (green), 72, 73, 1947-8	13.20	5 59A-7106024	Door (mahog.), 71, 1946	5.00
1 6M-7004320-A	Panel (tan), 72, 73, 1947-8	13.20	5 6M-7006024-B	Door (green), 72, 73, 1947-8	2.70
2 29A-7004300-A	Panel (trim), chrome, 1946	2.00	5 6M-7006024-A	Door (tan), 72, 73, 1947-8	3.35
2 59A-7004300	Panel (trim), beige, 1946-7	2.20	6 29A-7006042	Hinge & sup.	.40
2 6M-7004300-B	Panel (trim), green, 72, 73, 1947-8	1.50	7 29A-7004371-A	Plate	.75
2 6M-7004300-A	Panel (trim), tan, 72, 73, 76, 1947-8	1.50	8 59A-7004422	Ornament (beige)	1.10
3 59A-7004401	Panel (beige)	2.20	8 6M-7004422	Ornament (green), 72, 73	.70
3 6M-7004401	Panel (green)	1.55	9 11A-7006068	Spring	.05
4 59A-7006090	Panel (beige), all, 1946-7	1.40	10 59A-7006010	Compmt. assy.	1.10
4 6M-7006090-B	Panel (green), 72, 73, 1947-8	1.45	11 29A-7006081-A	Lock assy.	1.15
			11 21A-7006081-A	Lock assy. (71)	1.60
			12 59A-7004414	Grille (beige)	2.90
			12 6M-7004414	Grille (green)	3.70
			13 29A-7004402-A	Ornament	1.40



### WINDSHIELD PARTS ALL MODELS

Item Part No.	Description	Price	Item Part No.	Description	Price
1 59A-7003126	Welt, 70, 72, 73, 79	1.20	2 59A-7603591-A	Fin. strip, (brown), 76, 1946	3.10
1 51A-7603127	Welt, (L.H.), 71, 76	1.35	2 59A-7603591-C	Fin. strip, (mahog.), 79, 1946-8	2.90
2 59A-7603591-B	Fin. strip, (gray), 70, 72, 73, 1946-7	2.90	3 21A-7603110-B	Wthstp., 70, 72, 73, 79	5.25
2 59A-7603591-D	Fin. strip, (tan), 70, 72, 73, 1946-7	2.90	3 21A-7603110-A	Wthstp., 71, 76	5.00
2 59A-7103591	Fin. strip, (mahog.), 71, 76, 1946-8	3.40	4 11A-7003100	Glass	9.90
2 6M-7603591-B	Fin. strip, (green), 72, 73, 1947-8	2.90	5 11A-7603089	Mould., (outside), L.H.	1.55
2 6M-7003591-A	Fin. strip, (tan), 72, 73, 1947-8	2.90	6 11A-7603078-B	Ret. (outer)	1.50
			7 59A-7003074	Ret. (inner)	1.00

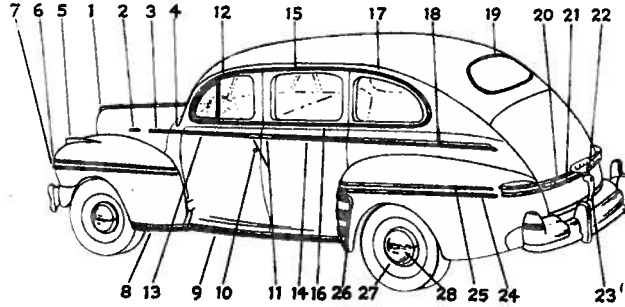
# MERCURY 1946 to 1948 BODY PARTS

Models 69M, 79M, 89M. ALL BODY STYLES

## BODY TRIM

ALL MODELS  
69M, 79M, 89M

Item Part No.	Description	Price
<b>BODY STYLES 70, 71, 72, 73, 76, 79</b>		
1	6M-16850—Ornament	2.40
2	51A-16605—Name plate (71), 1946	1.10
2	6M-16605-A—Name plate (79M, 89M, 1947-8)	1.00
3	59A-16723—Mould. (69M, 79M, 1946-7)	2.00
3	6M-16723—Mould. (79M, 89M, 1947-8)	1.00
4	29A-7002329-A—Mould.	.70
5	29A-16188-A—Ornament	2.15
6	29A-16004-A—Mould.	1.40
7	59A-16189—Mould.	1.90
8	29A-16211-A—Mould.	2.90
9	29A-16467-A—Mould.	3.70
10	51A-7121984-A—Lock & sleeve assy. (4.8")	1.40
10	51A-7121984-B—Lock & sleeve assy. (4.8")	1.40
11	29A-7022400-A—Handle (70), 1946	1.40
11	51A-7122400-A—Handle (71), 1946	1.60
11	29A-7022400-A—Handle (72, 73), 1946-8	1.40
11	29A-7622400-A—Handle (76), 1946-8	1.50
11	29A-7922400-A—Handle (79), 1946-8	1.40
12	11A-7020937—Mould. (70, 72), 1946-8	2.00



Car Moulding

Item Part No.	Description	Price
12	11A-7320937—Mould. (73), 1946-8	1.55
13	29A-7020935-A—Mould. (70, 72, 76), 1946-8	2.00
13	29A-7320935-A—Mould. (73), 1946-8	1.55
14	29A-7325555-A—Mould. (73), 1946-8	1.40
15	11A-7325584—Mould. (73), 1946-8	.80
16	11A-7325586—Mould. (73), 1946-8	.80
17	11A-7029045—Mould. (70), 1946	2.10

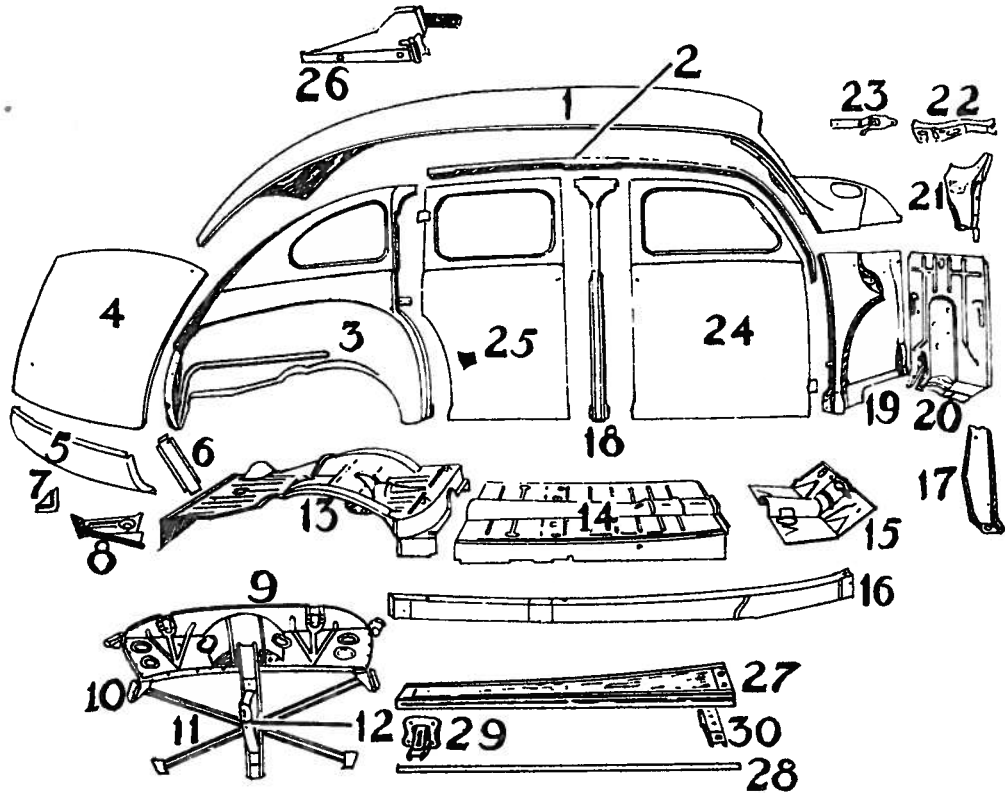
Item Part No.	Description	Price
17	11A-7229045—Mould. (72), 1946-8	1.55
17	11A-7329045—Mould. (73), 1946-8	1.60
18	29A-7029035-A—Mould. (70), 1946	2.00
18	29A-7029035-A—Mould. (72, 76), 1946-8	3.50
18	29A-7329035-A—Mould. (73), 1946-8	2.80
19	19A-7042430—Mould. (70, 72, 73), 1946-8	2.20
20	29A-7042511-A—Mould. (70, 72, 73, 76), 1946-8	.70

Item Part No.	Description	Price
21	59A-7042515—Name plate (70, 72, 73, 76), 1946-7	.95
21	6M-7042515—Name plate (72, 73, 76), 1947-8	1.40
22	59A-7042515—Mould. (70, 72, 73, 76), 1946-8	1.00
23	11A-7043500—Handle (70)	3.80
23	51A-7143500-B—Handle (71)	4.00
23	11A-7043500—Handle (72, 73, 76), 1946-7	3.80
23	51A-7043500—Handle (72, 73, 76), 1947-8	3.80
24	59A-16383-A—Mould. (70, 72, 73), 1946-8	1.90
24	59A-16383-B—Mould. (79), 1946-8	2.10
24	59A-16383-C—Mould. (71), 1946	1.90
25	29A-16197-A—Mould. (70, 72, 73), 1946-8	1.00
25	29A-16197-B—Mould. (79), 1946-8	1.15
25	59A-16197—Mould. (71), 1946	1.30
26	51A-16350-A—Boot (except 79)	1.55
26	51A-16350-B—Boot (79)	2.00
27	29A-18303-A—Bands (67M, 79M, 1946-7)	8.80
27	6M-18303—Bands (79M, 89M, 1947-8)	14.50
28	59A-1130—Cap (69M, 79M, 1946-7)	3.90
28	6M-1130-A—Cap (79M, 89M, 1947-8)	3.90

## CAR BODY

BODY STYLE—73 TOWN SEDAN

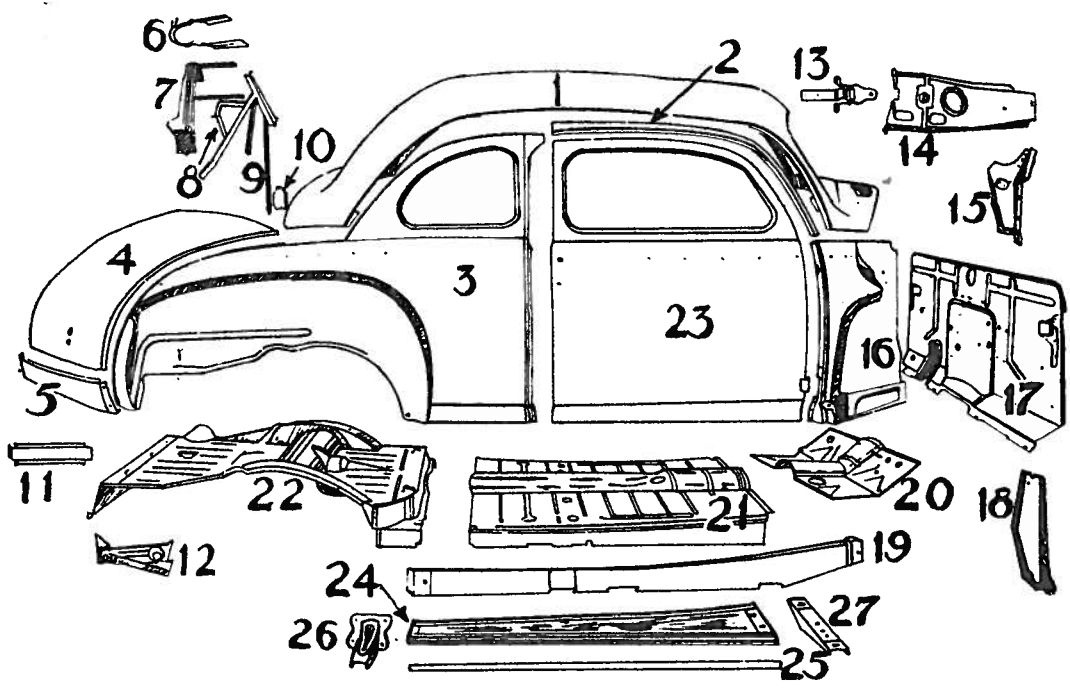
Item Part No.	Description	Price
1	51A-7050200—Panel (roof)	67.50
2	51A-7251143—Rail assy. (side)	3.10
3	51A-7327841—Panel (qt. & side)	67.00
4	29A-7040112—Door assy. (lug.) complete	36.00
5	59A-7040320—Panel assy. (low. back)	2.70
6	11A-7044820—Strainer (center)	.30
7	11A-7044815—Gusset (upper)	.15
8	6A-7044831—Gusset (side)	.20
9	11A-7046506—Panel (pkg. tray)	3.70
10	11A-7046577—Gusset (frt. corner)	.20
11	11A-7046810—Strainer	.50
12	11A-7047016—Mtg. brkt. (spare whl.)	1.20
13	6A-7011216—Pan (R. fl.)	16.75
14	21A-7011135—Pan (frt. fl.)	
15	51A-7011115-C—Panel (frt. fl. brd.)	3.85
16	11A-7310111—Member assy. (fl. side)	9.00
17	11A-7001727—Brace (panel to fr.)	.50
18	51A-7324300—Pillar (center)	7.50
19	11A-7002055-B—Panel & fl. brd. riser (cowl side)	9.00
20	11A-7001605-G—Dash panel	2.75
21	11A-7003587—Gusset	.50
22	11A-7002091—Reinfmt. (up. hinge)	1.10
23	11A-7022805-B—Hinge & ret. assy. (dr. up.)	3.00
24	11A-7320123-A—Door assy. (frt. less paint, trim & reg.)	45.00
25	11A-7324623-A—Door assy. (R. less paint, trim & reg.)	45.00
26	11A-7326853-B—Hinge & reinfmt. (low.)	6.00
27	21A-16451-A—Run. brd. (steel)	4.75
27	21A-16473-D—Run. brd. (alum.)	7.50
28	29A-16467-A—Mould.	3.70
29	21A-16471—Brkt. (rear)	1.85
30	21A-16457-A—Brkt. (frt.)	1.00



Body Sheet Metal

# BODY PARTS 1946 to 1948 MERCURY

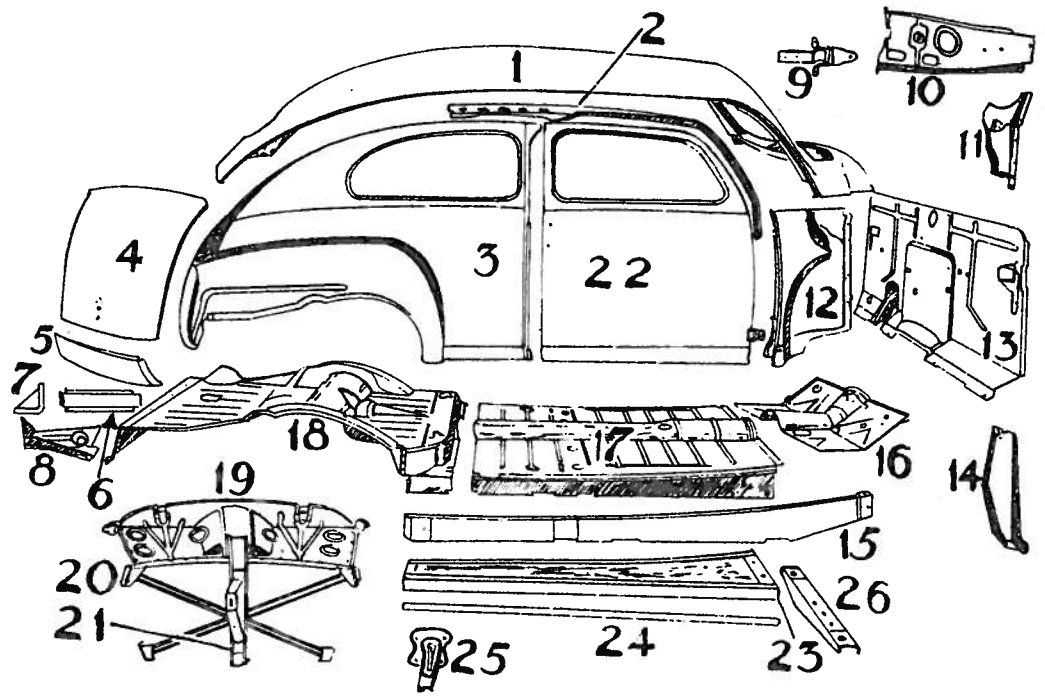
## Models 69M, 79M, 89M. ALL BODY STYLES



Body Sheet Metal

CAR BODY		
BODY STYLE—72 SEDAN COUPE		
Item	Part No. Description	Price
1	51A-7250200—Panel (roof) ..	67.50
2	51A-7251143—Side rail .....	3.10
3	51A-7227841—Panel (qt. & side) .....	60.00
4	29A-7040112—Door (lug), complete .....	39.60
5	59A-7040320—Panel (low. back) .....	2.70
6	21A-7241702—Rail (belt trim) .....	2.80
7	21A-7244808—Reinfmt. & hinge .....	2.90
8	19A-7247016-B—Strainer & mtg. brkt. ....	2.20
9	21A-7246590—Support assy. ....	1.80
10	19A-7246608—Brkt. ....	.20
11	11A-7044820—Strainer, cen. ....	.30
12	6A-7044831—Gusset (side) ..	.20
13	11A-7022805-B—Hinge & ret., upper .....	3.00
14	11A-7002091—Hinge reinfmt. ....	1.10
15	11A-7003587—Gusset .....	.50
16	11A-7002055-B—Cowl side panel .....	9.00
17	11A-7001605-G—Dash panel ..	2.75
18	11A-7001727—Brace (dash pan. to fr.) .....	.50
19	11A-7010111—Side member (fl.) .....	9.00
20	51A-7011115-C—Panel (frt. fl. brd.) .....	3.85
21	21A-7011135—Pan (frt. fl.) ..	37.50
22	6A-7011216—Pan (R. fl.) .....	16.75
23	11A-7020123-A—Door (w/o paint, trim & reg.) .....	50.40
24	21A-16451-A—Run. brd. (steel) .....	4.75
24	21A-16473-C—Run. brd. (alum.) .....	7.50
25	29A-16467-A—Mould. ....	3.70
26	21A-16471—Brkt. (back) .....	1.85
27	21A-16457-A—Brkt. (frt.) ..	1.00

CAR BODY		
BODY TYPE—70 TUDOR SEDAN		
Item	Part No. Description	Price
1	51A-7050200—Panel (roof) ..	58.80
2	51A-7050143—Side rail .....	10.50
3	51A-7027841—Panel (qt. & side) .....	42.00
4	29A-7040112—Lug door (complete) .....	36.00
5	51A-7040320—Panel (low back) .....	2.70
6	11A-7044820—Strainer, cen. ....	.30
7	11A-7044815—Gusset, L.H., upper .....	.20
8	6A-7044831—Gusset, L.H. ....	.20
9	11A-7022805-B—Hinge & ret. assy., upper .....	3.20
10	11A-7002091—Reinfmt. ....	1.10
11	11A-7003587—Gusset .....	.50
12	11A-7002055-B—Panel (cowl side) .....	9.60
13	11A-7001610-F—Dash panel. ....	3.70
14	11A-7001727—Brace (panel to fr.) .....	.50
15	11A-7010111—Side member. ....	9.00
16	51A-7011115-C—Panel (frt. fl. brd.) .....	3.85
17	21A-7011135—Pan assy. (frt. fl.) .....	37.50
18	6A-7011216—Pan assy. (rear) .....	16.75
19	11A-7046506—Panel (pkg. tray) .....	3.70
20	11A-7046610—Strainer .....	.50
21	11A-7047016—Mtg. brkt. (spare whl.) .....	1.20
22	11A-7020123-A—Door assy. ....	50.40
23	21A-16451-A—Run. brd. (steel) .....	4.75
23	21A-16473-C—Run. brd. (alum.) .....	7.50
24	29A-16467-A—Mould. ....	3.70
25	21A-16471—Brkt. (back) .....	1.85
26	21A-16457-A—Brkt. (frt.) ..	1.00



Body Sheet Metal

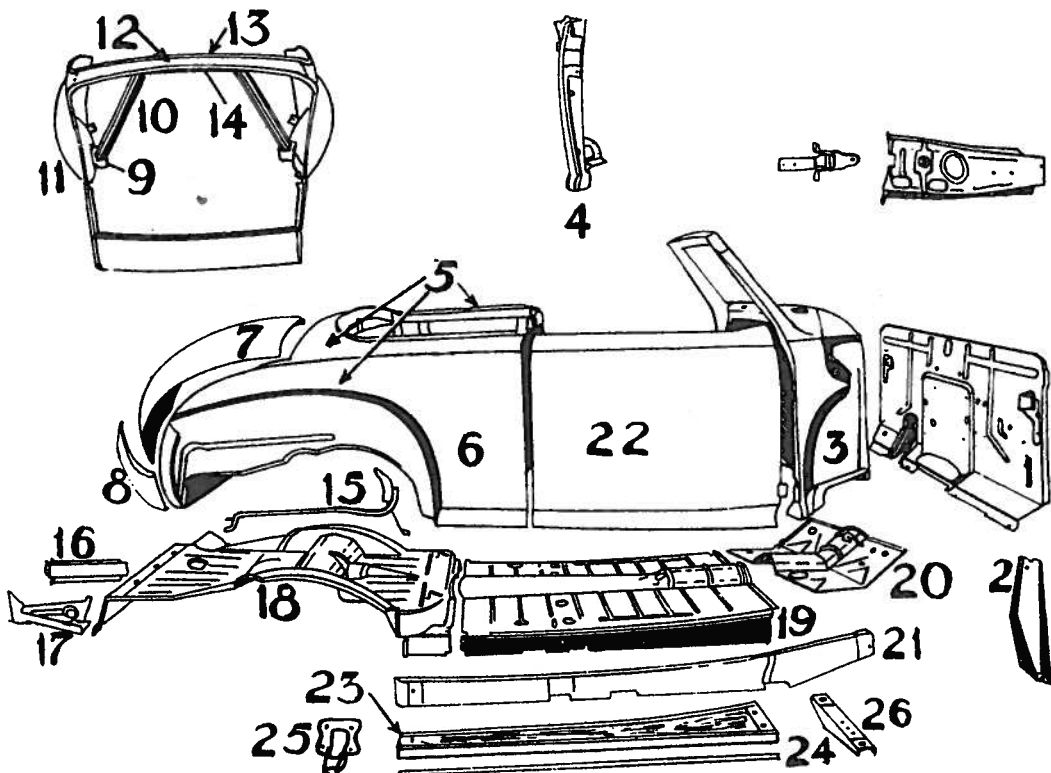
# MERCURY 1946 to 1948 BODY PARTS

Models 69M, 79M, 89M. ALL BODY STYLES

## CAR BODY

### BODY TYPE—71-76 CONVERTIBLE

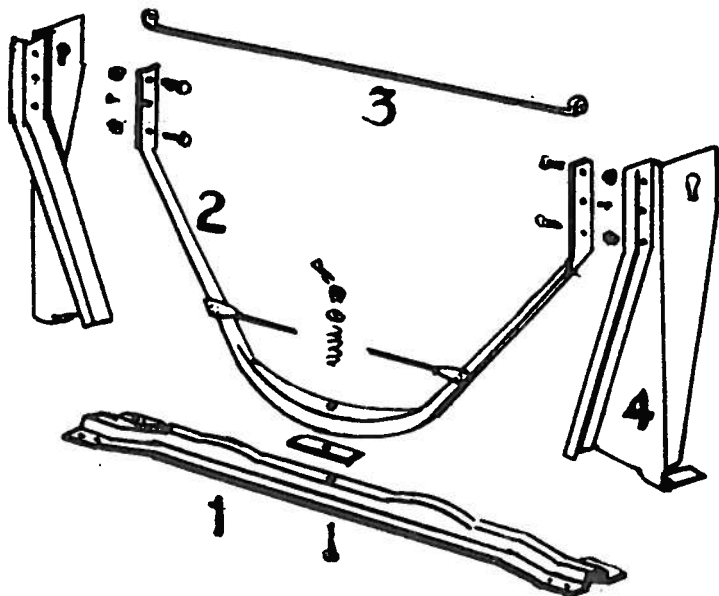
Item Part No.	Description	Price
1	11A-7601610-F—Dash panel.	3.70
2	11A-7601727-B—Brace (D. panel to fe.)	.60
3	51A-7100120-D—Front Assy. (71)	250.00
3	51A-7600120-E—Front Assy. (76)	60.00
4	51A-7128161—Pillar (R. qt. lock), 71	27.50
4	51A-7628161—Pillar (R. qt. lock), 76	142.00
5	51A-7627800-C—Panel & back Assy. (qt.), 76, 1946-7	95.00
5	59A-7627800—Panel & back Assy. (qt.), 76, 1947-8	117.50
6	51A-7127841-B—Panel (qt. & side), 71	247.50
6	21A-7627841-B—Panel (qt. & side), 76	149.00
7	51A-7140110—Door (luggage, complete), 71	120.00
7	29A-7240112—Door (luggage, complete), 76	39.60
8	51A-7140320—Panel (low. back), 71	10.00
8	59A-7040320—Panel (low. back), 76	2.70
9	51A-7141757—Brkt., L.H. (71)	.50
9	21A-7641757—Brkt., L.H. (76)	.20
10	21A-7644827—Strainer (71-76)	.35
11	51A-7127841-B—Panel (qt. & side, L.H.), 71	247.50
11	21A-7627841-B—Panel (qt. & side, L.H.), 76	149.00
12	21A-7641781—Strip. Assy., L.H. (71-76)	.85
13	21A-7641748—Strip. Assy., center (71-76)	.55
14	51A-7140314—Panel (up. back), wood, 71	24.00
14	21A-7640314—Panel (up. back), 76	3.10
15	21A-7647016—Mtg. brkt. (spare whl.), 71-76	2.40
16	21A-7044821—Plate (center), 71-76	.15
17	6A-7044831—Gusset	.15
18	51A-7111215-B—Pan (R. fl.), 71	18.80



Item Part No.	Description	Price
18	6A-7611215—Pan (R. fl.), 76	32.25
19	21A-7611134—Pan & cross member (frt. fl.), 71	14.50
19	21A-7611135—Pan & cross member (frt. fl.), 76	14.50
20	51A-7011115-C—Panel (frt. fl. brd.), 71-76	3.85

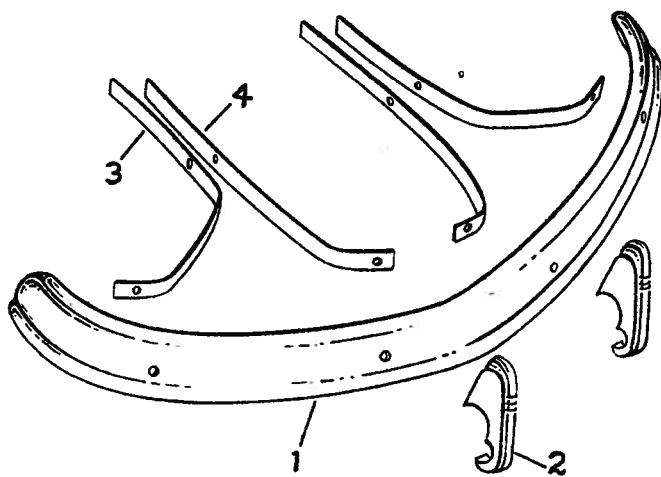
Item Part No.	Description	Price
21	51A-7110111—Side member (71)	3.45
21	21A-7610111—Side member (76)	5.20
22	51A-7120117—Door Assy. (71)	90.00
22	11A-7620123—Door Assy. (76)	54.00

Item Part No.	Description	Price
23	21A-16451-A—Run. brd. (steel)	4.65
23	21A-16473-C—Run. brd. (alum.)	7.50
24	29A-16467-A—Mould.	3.70
25	21A-16471—Brkt. (back)	1.85
26	21A-16457-A—Brkt. (frt.)	1.00



### RADIATOR BRACE ALL MODELS

Item Part No.	Description	Price	Item Part No.	Description	Price
1	51A-5071—Bar	1.40	3	59A-16156—Bar	.50
2	51A-16138—Apron support	3.25	4	59A-16141-B—Panel Assy.	2.60

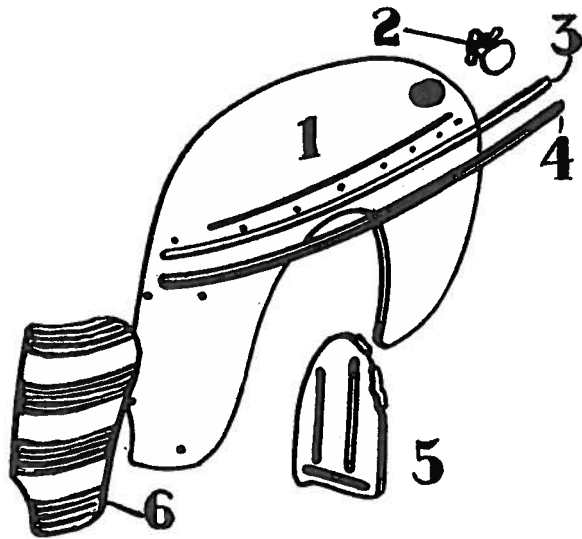


### REAR BUMPER ALL MODELS

Item Part No.	Description	Price	Item Part No.	Description	Price
1	59A-17781—Bar (impact)	20.00	2	6M-17997—Guard, 1947-8	4.50
1	11A-17781-C—Bar (impact) sta. wag.	9.00	3	29A-17796-A—Arm, outer	1.60
2	29A-17997—Guard, 1946-7	4.50	4	29A-17788-A—Arm, inner	1.60

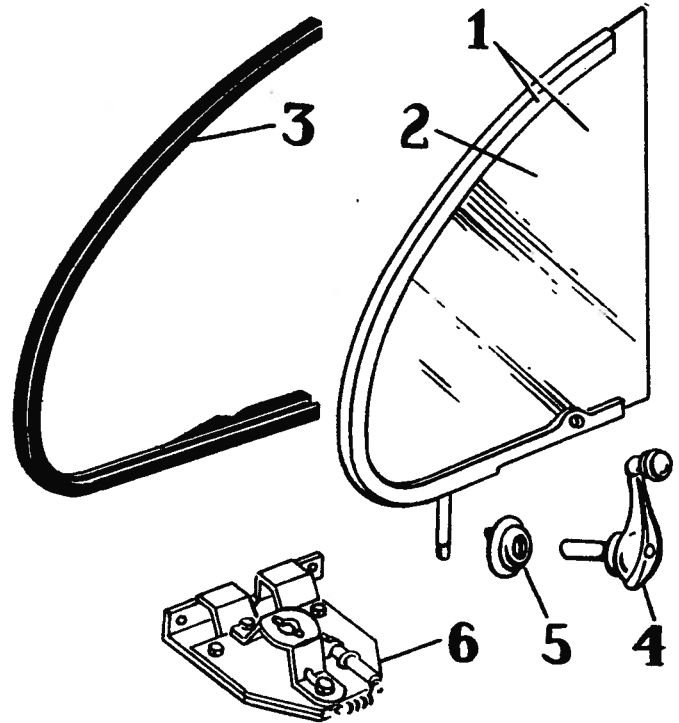
# BODY PARTS 1946 to 1948 MERCURY

Models 69M, 79M, 89M. ALL BODY STYLES



## REAR FENDER ALL MODELS

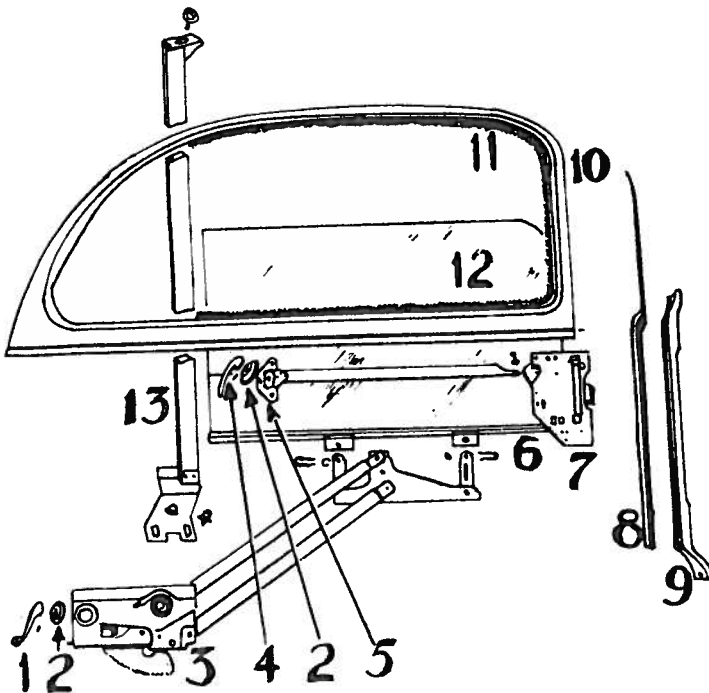
Item Part No.	Description	Price	Item Part No.	Description	Price
1	59A-16313—Fender, sportsm. conv., 1946	13.50	3	29A-16197-B—Mould. (sta. wag., 1946-B)	1.15
1	29A-16313-A—Fender 1946-8	13.50	4	59A-16383-A—Mould. (low.)	1.90
1	29A-16313-B—Fender, sta. wag., 1946-8	17.00	4	59A-16383-B—Mould. (low.), sta. wag., 1946-8	2.10
2	11A-16370-C—Lid (filler)	1.25	4	59A-16383-C—Mould. (low.), sportsm., 1946	1.90
2	11A-16370-D—Lid (filler), sta. wag.	1.45	5	21A-16341-A—Brace	2.50
3	29A-16197-A—Mould. (up.)	1.00	5	21A-16341-B—Brace, sta. wag.	.30
3	59A-16197—Mould. (sportsm. conv., 1946)	1.10	6	51A-16350-A—Boot	1.55
			6	51A-16350-B—Boot (sta. wag.)	2.00



## Crank Type

## FRONT DOOR VENTILATOR BODY TYPES—70, 72, 73, 79

Item Part No.	Description	Price	Item Part No.	Description	Price
1	51A-7021407-B—Assy.	6.35	4	59A-7923410—Handle assy., 79	.90
2	11A-7021412-A—Glass	2.25	5	51A-7023404—Escutcheon	.35
3	21A-7021449-A—Wthstp., 70, 72, 73	.80	6	11A-7023403—Regitr., 70, 72, 73	2.00
3	21A-7921449-A—Wthstp., 79	.70	6	11A-7923403—Regitr., 79	2.00
4	59A-7023410—Handle assy., 70, 72, 73	1.00			

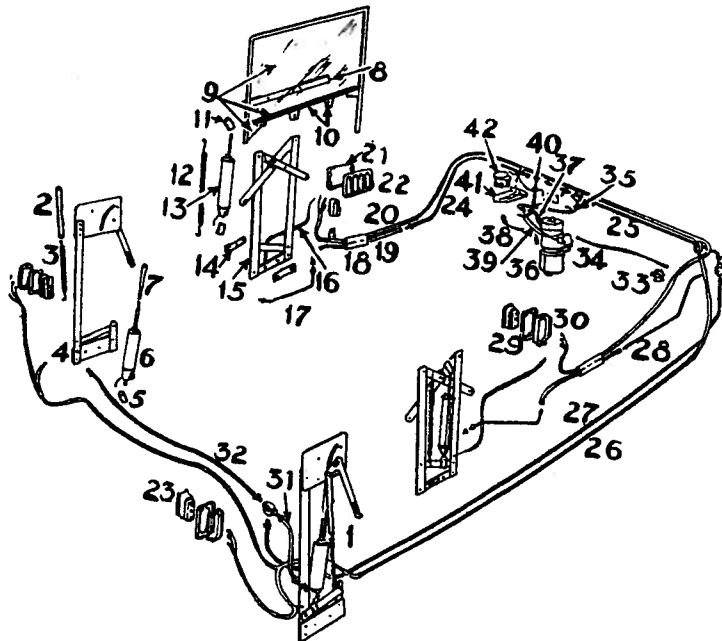
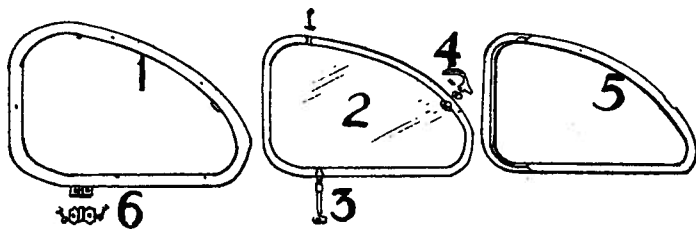


## FRONT DOOR PARTS BODY STYLES—70, 72, 73 LEFT HAND PARTS—RIGHT, ONE NUMBER LOWER

Item Part No.	Description	Price	Item Part No.	Description	Price
11A-7020123-A	Door assy., 70, 72	50.40	9	11A-7321573-A—Retainer, 73	.30
11A-7320123-A	Door assy., 73	45.00	10	59A-7020905-D—Fin. strip, 70, 72, 1946-7 (brown)	6.00
1	59A-7023342—Handle reg.	1.00	10	59A-7020905-B—Fin. strip, 70, 72, 1946-7 (gray)	6.00
2	59A-7022618—Escutcheon	.30	10	6M-7020905-B—Fin. strip, 72, 1947-8 (green)	6.00
3	11A-7023201-A—Regitr., 70, 72	3.60	10	6M-7020905-A—Fin. strip, 72, 1947-8 (tan)	6.00
3	11A-7323201-A—Regitr., 73	3.60	10	59A-7320905-D—Fin. strip, 73, 1946-7 (brown)	4.55
4	19A-7622614—Handle, in.	1.50	10	59A-7320905-B—Fin. strip, 73, 1946-7 (brown)	4.55
5	11A-7021819—Control & link, 70, 72	1.10	10	6M-7320905-B—Fin. strip, 73, 1947-8 (green)	4.55
5	11A-7321819—Control & link, 73	.65	10	6M-7320905-A—Fin. strip, 73, 1947-8 (tan)	4.55
6	51A-7021459-A—Channel & ret. assy., 70, 72	1.00	10	6M-7320905-A—Fin. strip, 73, 1947-8 (tan)	4.55
6	51A-7321459-A—Channel & ret. assy., 73	.70	11	21A-7021446—Wthstp. (out.)	1.10
7	11A-7021813—Lock	2.75	12	21A-7021410—Glass, 70, 72	6.78
8	11A-7021550—Run. (lock side)	.55	12	21A-7321410—Glass, 73	5.00
9	11A-7021573-A—Retainer, 70, 72	.30	13	51A-7022297-C—Div. bar	3.30
			29A-7022400—Handle, out.	1.40	

# MERCURY 1946 to 1948 BODY PARTS

Models 69M, 79M, 89M. ALL BODY STYLES



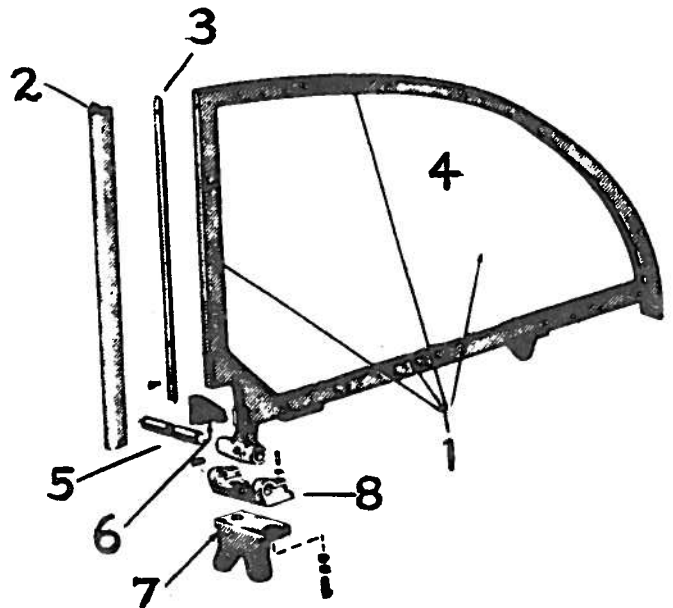
### DOOR AND QUARTER WINDOW HYDRAULIC LIFT BODY TYPE-71-SPORTSMAN CONVERTIBLE

Left Side Part No. Only; Right Side  
One No. Lower

Item Part No.	Description	Price	Item Part No.	Description	Price
1	51A-7130307-Reg. assy., L. H.	15.00	25	51A-7123568-B-Tube assy., R. H.	.80
2	51A-7130348-Link	.20	26	51A-14339-Wiring assy.	3.30
3	51A-7130318-Spring	.10	27	51A-7127074-Tube assy. (on floor)	1.35
4	51A-7130313-Frame	7.50	28	51A-7123580-Tube assy. (to cowl)	.50
5	51A-7123236-Brkt.	.10	29	5E H-7324230-Escutcheon (single)	.45
6	51A-7130340-Cylinder assy.	10.00	30	5E H-7324207-Plate (single)	.30
7	51A-7130350-Connector	.60	31	51A-7127076-Tube assy., rt. side	.45
8	51A-7123350-Retainer	.50	32	51A-7127080-Tube assy., left side	.85
9	51A-7122219-Glass & frame assy.	22.50	33	21A-11450-Starter switch	1.70
10	51A-7121463-Channel & brkt. assy.	1.35	34	51A-14506-A-Cable assy.	.55
11	51A-7123236-Brkt.	.10	35	51A-7123577-Tube assy., L. H.	.35
12	51A-7123318-Spring	.10	35	51A-7123576-A-Tube assy., R. H.	.45
13	51A-7123244-Cylinder assy.	6.25	36	51A-7650738-Motor & pump, complete, 71, 76	28.20
14	51A-7123257-Spring	.10	37	51A-7123592-Hose assy.	1.60
15	51A-7123205-Frame assy.	3.15	38	51A-7650646-Hose assy. (71, 76, top, lift)	2.00
16	51A-14508-Wire assy.	.35	39	51A-14332-B-Wiring assy.	.50
17	51A-7124296-Tube assy.	.60	40	51A-7123577-Tube assy. (to motor)	.35
18	51A-7124258-Conduit	.50	41	51A-7650686-Brkt., 71, 76	.25
19	51A-7123592-Hose assy.	1.60	42	51A-7650738-Valve, 71, 76	5.50
20	51A-13708-Wiring assy.	3.30			
21	51A-7124235-Anchor plate	.10			
22	51A-7124232-Escutcheon (4 openings)	.60			
23	51A-7124206-Switch assy.	1.25			
24	51A-7123569-A-Tube assy., L. H.	.80			

### QUARTER WINDOW PARTS BODY STYLES-72, 73

Item Part No.	Description	Price	Item Part No.	Description	Price
59A-7229701-D	Glass & fr. assy. (brown), 72	20.00	1	6M-7329003-A-Fin. strip (tan), 73	3.50
59A-7229701-B	Glass & fr. assy. (gray), 72	20.00	2	19A-7229710-A-Glass (19.56"), 72	4.25
6M-7229701-B	Glass & fr. assy. (green), 72	17.50	2	51A-7229710-A-Glass (19.75"), 72	4.25
6M-7229701-A	Glass & fr. assy. (tan), 72	17.50	2	11A-7329710-B-Glass (19.82"), 73	5.05
59A-7329701-D	Glass & fr. assy. (brown), 73	20.00	2	11A-7329710-A-Glass (21.36"), 73	5.05
59A-7329701-B	Glass & fr. assy. (gray), 73	19.70	2	51A-7329710-A-Glass (20", 73	5.05
6M-7329701-B	Glass & fr. assy. (green), 73	17.50	3	19-A-7229719-A-Glass & fr. assy. (complete), 1946-7 (72)	10.00
6M-7329701-A	Glass & fr. assy. (tan), 73	17.50	3	51A-7229719-A-Glass & fr. assy. (part.), 1947-8 (72)	10.00
1	59A-7229003-D-Fin. strip (brown), 72	3.50	3	19A-7329719-A-Glass & fr. assy. (complete), 1946-7 (73)	13.10
1	59A-7229003-B-Fin. strip (gray), 72	3.50	3	51A-7329719-A-Glass & fr. assy. (part.), 1947-8 (73)	10.00
1	6M-7229003-B-Fin. strip (green), 72	3.50	4	78-735281-Handle	.35
1	6M-7229003-A-Fin. strip (tan), 72	3.50	5	51A-7229905-A-Wthstp. (72)	1.55
1	59A-7329003-D-Fin. strip (brown), 73	3.50	5	51A-7329905-A-Wthstp. (73)	1.95
1	59A-7329003-B-Fin. strip (gray), 73	3.50	6	11A-7330548-Clamp	.05
1	6M-7329003-B-Fin. strip (green), 73	3.50			

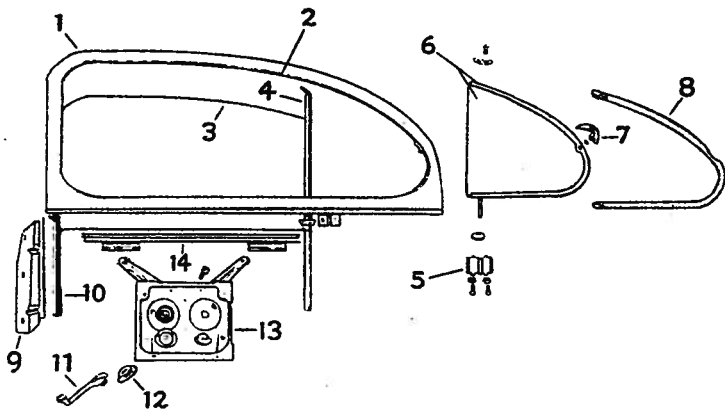


### QUARTER WINDOW PARTS BODY STYLES- 71, 76 CONVERTIBLES

Item Part No.	Description	Price	Item Part No.	Description	Price
1	51A-7629701-Glass & fr. assy. (complete)	33.60	4	21A-7629710-A-Glass	4.35
2	51A-7630107-A-Wthstp., front	.35	5	21A-7630556-Hinge pin	.15
3	21A-7629952-A-Retainer (wthstp.)	.70	6	21A-7629746-A-Wthstp. (corner)	.25
			7	21A-7629932-A-Brkt.	1.60
			8	21A-7629948-B-Hinge	3.00

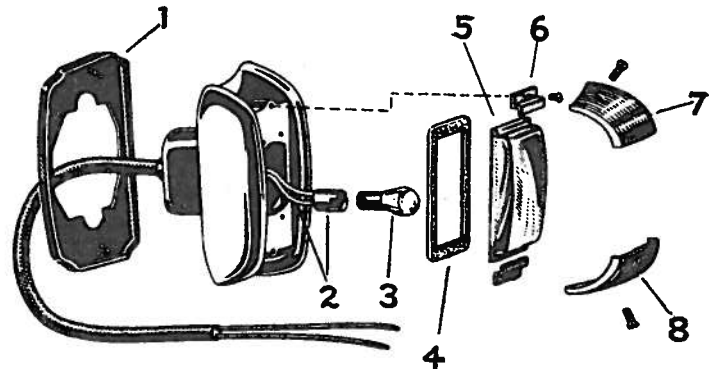
# BODY PARTS 1946 to 1948 MERCURY

Models 69M, 79M, 89M. ALL BODY STYLES



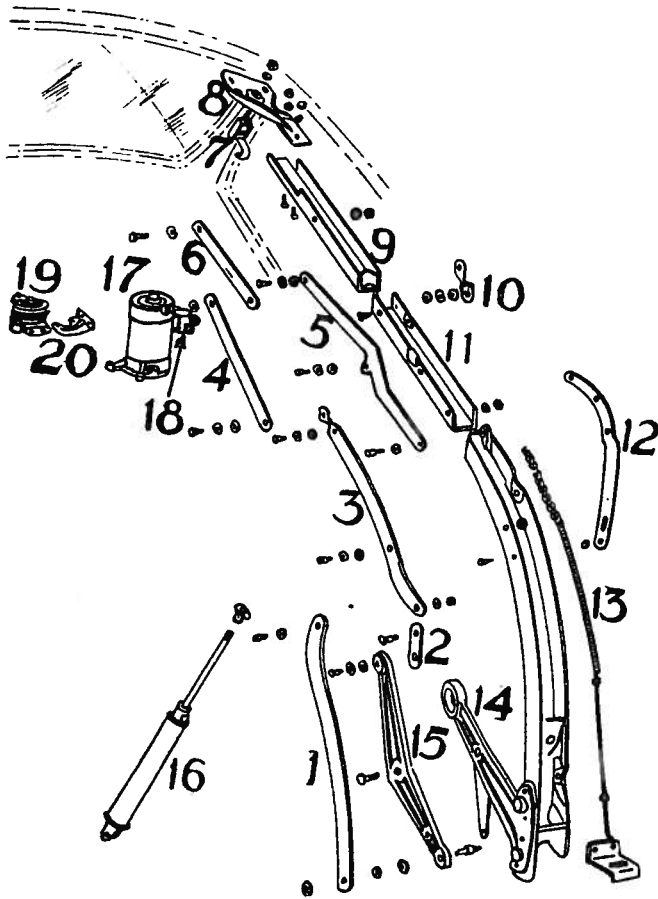
## QUARTER WINDOW PARTS BODY STYLE-70-2-DOOR SEDAN

Item Part No.	Description	Price	Item Part No.	Description	Price
1	59A-7029003-D—Fin. strip assy. (brown)	6.75	7	78-735281—Handle	.35
1	59A-7029003-B—Fin. strip assy. (gray-green)	6.75	8	19A-7030249-A—Wthstp.	.85
2	21A-7021446—Wthstp.	1.10	9	11A-7030121-B—Retainer (run)	.10
3	19A-7029710—Glass	6.15	10	11A-7030102—Run assy.	.30
4	19A-7030235-B—Bar assy. (div.)	3.70	11	59A-7023942—Handle assy.	1.00
5	19A-7030284—Lock plate	.15	12	59A-7022618—Escutcheon	.30
6	19A-7030219-B—Glass & frame assy.	9.70	13	19A-7030307-A—Regulator	3.60
			14	19A-7029900—Channel	1.10



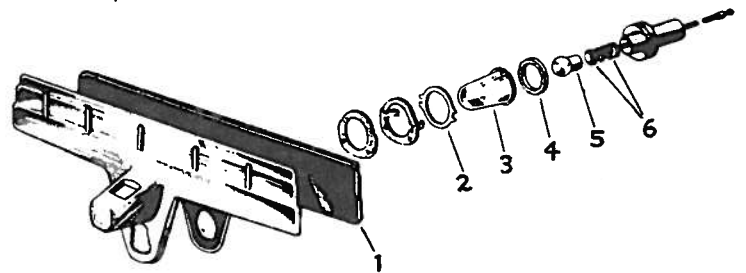
## REAR LAMP SPORTSMAN COUPE

Item Part No.	Description	Price	Item Part No.	Description	Price
1	51A-13405—Lamp assy., L.H.	4.90	4	11A-13461—Gasket	.08
1	11A-13420—Pad	.30	5	11A-13450—Lens	.40
2	01C-13410—Socket & wiring	.50	6	11A-13439—Retainer	.05
3	11A-13465—Bulb	.23	7	51A-13477—Plate	.70
			8	51A-13476—Plate	.70



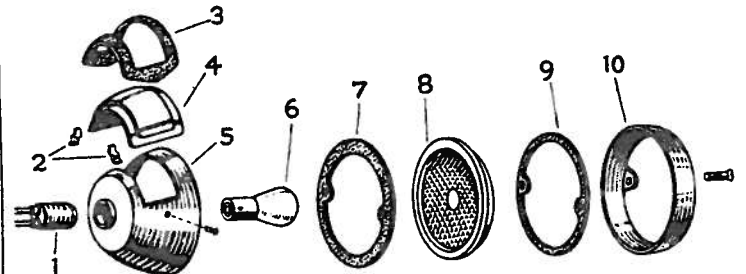
## CONVERTIBLE TOP PARTS BODY TYPES-71, 76

Item Part No.	Description	Price	Item Part No.	Description	Price
1	51A-7650313—Iron (top slat), No. 2	1.90	11	21A-7653137—Arm (center)	10.50
2	21A-7650428—Iron (top slat), No. 3	.65	12	21A-7650341—Iron (bow slat), rear	1.00
3	51A-7650307—Iron (top slat), No. 1	3.25	13	51A-7652721—Retainer assy.	.85
4	21A-7650308—Link (rear)	.70	14	51A-7653011-B—Arm (rear)	18.75
5	21A-7650433—Link (center to rear)	2.80	15	51A-7650331—Iron (top slat), No. 3	7.00
6	21A-7650310—Link (front)	.70	16	51A-7650601—Cyl. & yoke assy.	8.50
7	11A-7603520—Clamp	3.40	17	51A-7650736—Mtr. & pump assy.	28.25
8	11A-7603463—Brkt.	2.50	18	7EH-7353380—Solenoid	3.75
9	51A-7653007—Arm (front)	6.75	19	5EH-7650738—Valve assy.	5.15
10	21A-7650440—Link	.90	20	51A-7650686—Brkt.	.25



## LICENSE LAMP EXCEPT SPORTSMAN & STATION WAGON

Item Part No.	Description	Price	Item Part No.	Description	Price
1	59A-13550—Lamp assy.	3.40	4	99A-13568-A—Gasket	.05
2	29A-13572-A—Pad	.30	5	B-13466—Bulb	.10
3	99A-13569—Gasket	.05	6	81A-13412—Socket & wiring	.20



## STATION WAGON

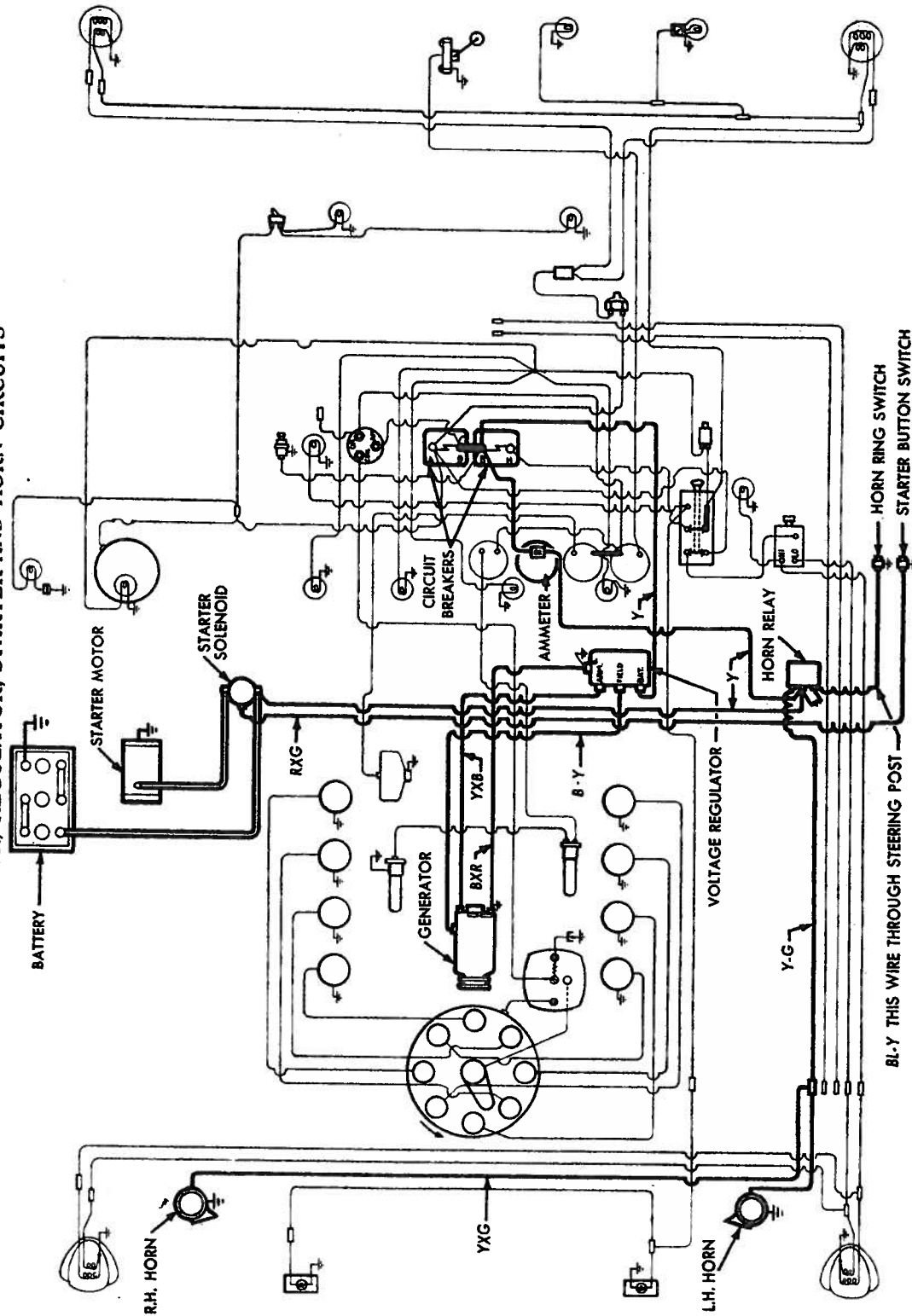
Item Part No.	Description	Price	Item Part No.	Description	Price
1	01C-13402-A—Lamp assy.	3.00	6	11A-13465—Bulb	.23
2	01C-13410—Socket	.45	7	40-13460—Gasket	.12
3	B-13446—Retainer	.03	8	40-13450-A—Lens	.40
4	40-13447—Gasket	.03	9	40-13461—Gasket	.05
5	40-13445—Lens	.15	10	11C-13448—Door	.50



# MERCURY 1946 to 1948 WIRING

Models 69M, 79M, 89M. ALL BODY STYLES

MERCURY SCHEMATIC WIRING DIAGRAM  
GENERATOR, REGULATOR, STARTER AND HORN CIRCUITS



BL-Y THIS WIRE THROUGH STEERING POST

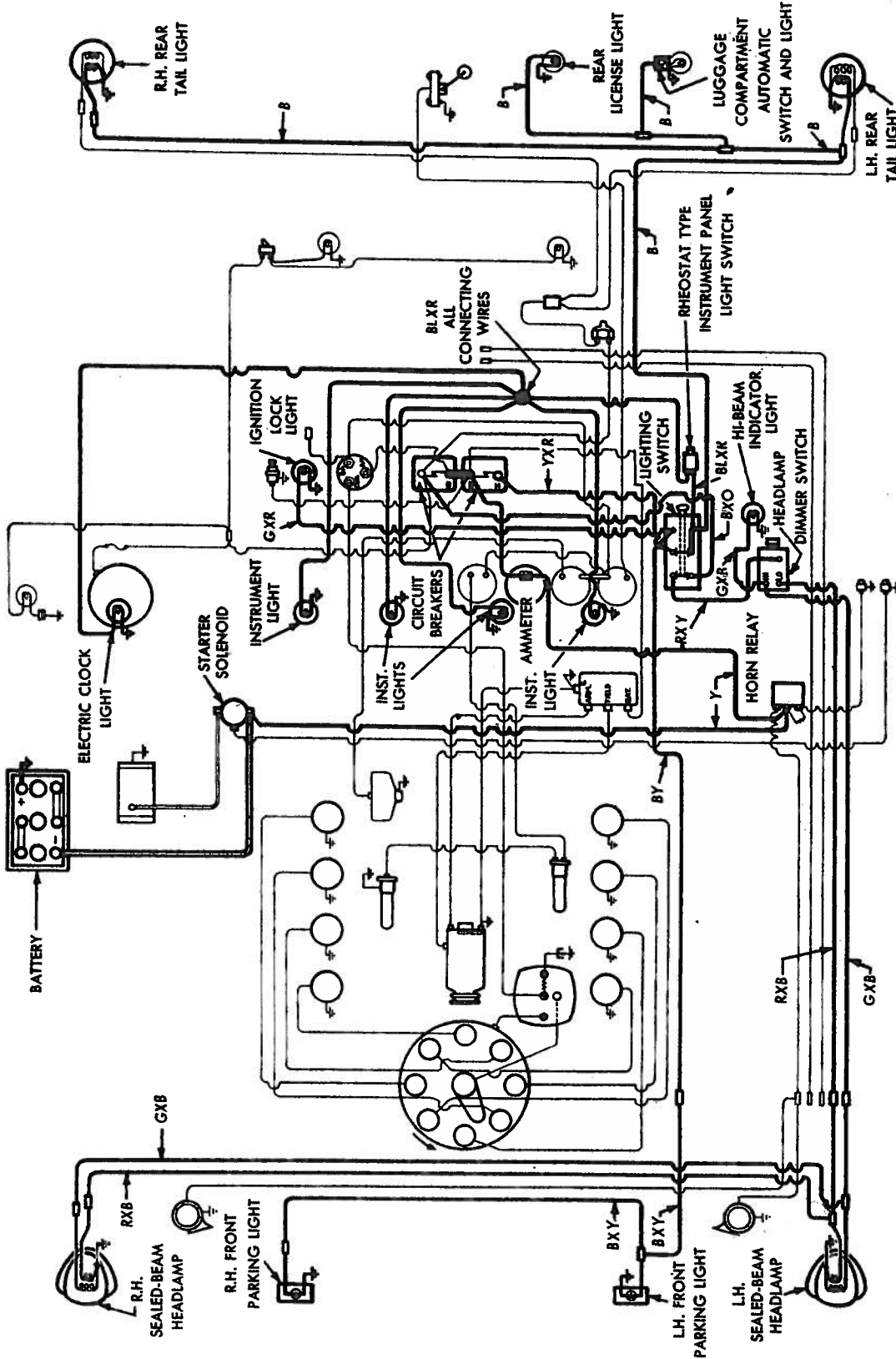
**KEY**

- Y—Yellow
- B-Y—Black with Yellow Tracer
- BL-Y—Blue with Yellow Tracer
- Y-G—Yellow with Green Tracer
- YXG—Yellow with Green Cross Tracer
- BXR—Black with Red Cross Tracer
- YXB—Yellow with Black Cross Tracer
- RBX—Red with Black Cross Tracer
- RXG—Red with Green Cross Tracer
- Ground
- Connector
- L. H. — Left Hand
- R. H. — Right Hand

# WIRING 1946 to 1948 MERCURY

Models 69M, 79M, 89M. ALL BODY STYLES

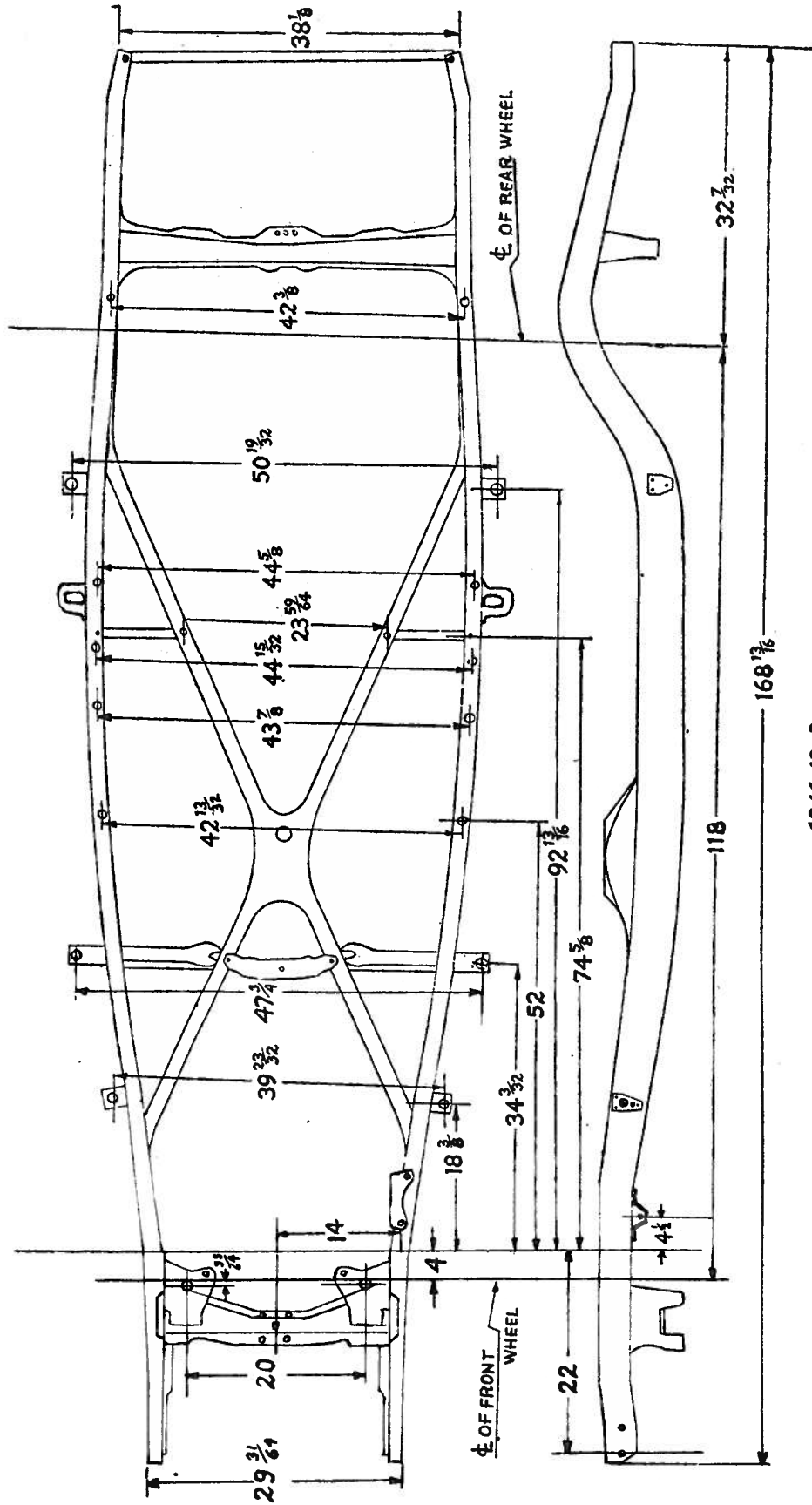
## MERCURY SCHEMATIC WIRING DIAGRAM HEADLAMPS, HI-BEAM INDICATOR, PARKING AND TAIL LIGHTS, LICENSE LIGHT IGNITION LOCK LIGHT, INSTRUMENT PANEL LIGHTS AND LUGGAGE COMPARTMENT AUTOMATIC LIGHT CIRCUITS



- KEY**
- B.—Black
  - Y.—Yellow
  - BY.—Black and Yellow
  - BXY.—Black with Yellow Cross Tracer
  - RXB.—Red with Black Cross Tracer
  - GXB.—Green with Black Cross Tracer
  - RXY.—Red with Yellow Cross Tracer
  - GXR.—Green with Red Cross Tracer
  - BXO.—Black with Orange Cross Tracer
  - BLXR.—Blue with Red Cross Tracer
  - YXR.—Yellow with Red Cross Tracer
  - Ground
  - Connector
  - Light Bulb Filament
  - L. H.—Left Hand
  - R. H.—Right Hand
  - Inst.—Instrument

**MERCURY 1946 to 1948 FRAME**

**Models 69M, 79M, 89M. ALL BODY STYLES**



1946-48 Passenger

# FLAT RATE 1946 to 1948 MERCURY

## Models 69M, 79M, 89M. ALL BODY STYLES

Job No.	Chilton Labor Price	Chilton Job No.	Chilton Labor Price	Chilton Job No.	Chilton Labor Price	Chilton Job No.	Chilton Labor Price	Chilton Job No.	Chilton Labor Price	Chilton Job No.	Chilton Labor Price	Chilton Job No.	Chilton Labor Price	Chilton Job No.	Chilton Labor Price	Chilton Job No.	Chilton Labor Price				
<b>A</b>		<b>A—continued</b>		<b>A—continued</b>		<b>B—continued</b>		<b>C—continued</b>		<b>C—continued</b>		<b>E</b>		<b>E—continued</b>		<b>F—continued</b>		<b>G</b>			
1	2.00	7	2.00	20x	10.00	9	2.00	2	25.00	15	1.25	1	56.00	11	48.00	2	28.00	1	50.00		
2	1.25	8	1.25			10	2.00	3	21.00			2	25.00	3	28.00	2	28.00	2	25.00		
3	1.25	9	4.50			11	3.25	4	1.75			3	22.00	4	1.75	3	25.00	3	25.00		
4	18.50	10				12	3.75	5	4.00			4	21.00	5	4.50	4	4.50	4	4.50		
5		11	3.00	<b>B</b>		13	2.00	6	2.00	<b>D</b>		5	110.00	6	2.00	5	4.50	5	4.50	5	4.50
6		12	4.50	1	8.50	14	3.00	7	4.00	1	3.00	6	100.00	7	2.00	6	2.00	6	2.00	6	2.00
7		13	1.50	1a	5.50	15	1.25	8	4.00	1a	2.50	7	15.00	8	4.00	7	2.00	7	2.00	7	2.00
8		14		2	25.00			9		2	1.75	8		9		8		8		8	
9		15		3	22.00			10		3		9		10		9		9		9	
10		16	.75	4	1.75			11		4	10.00	10		11		10		10		10	
11		17		5	4.00			12		5	15.00	11		12		11		11		11	
12		18	1.50	6	2.00	<b>C</b>		13	3.25	6	7.00	12		13		12		12		12	
13		19	13.00	7	2.00	1	7.50	14	3.75	7	4.50	1a		14		13		13		13	
14		20	7.50	8	4.00	1a	4.50	13	3.00	8				14		14		14		14	
15										19	7.00	19	77.00	15	7.80	15	4.50	15	4.50	15	4.50
16										20	3.00	20		16		16		16		16	
17														17		17		17		17	
18														18		18		18		18	
19														19		19		19		19	
20														20		20		20		20	

### STEERING GEOMETRY

**CASTER:** 9 degree max., 4 1/2 degree min., 1/2 degree variation.

**CAMBER:** 1/4 degree max., 1/4 degree min., 1/4 degree variation.

**TOE-IN:** Zero to 1/16 inches max.

**KING PIN INCLINATION:** 8 1/4 degree min., 9 degree max.

Adjustment for camber is by bending axle.

Caster may be adjusted by twisting the axle, radius rod or both.

