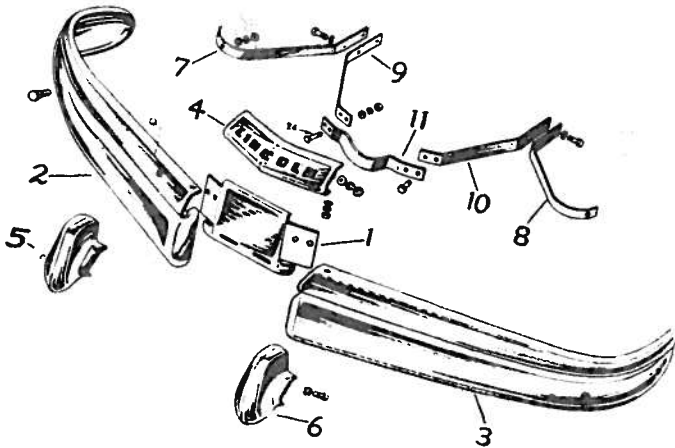


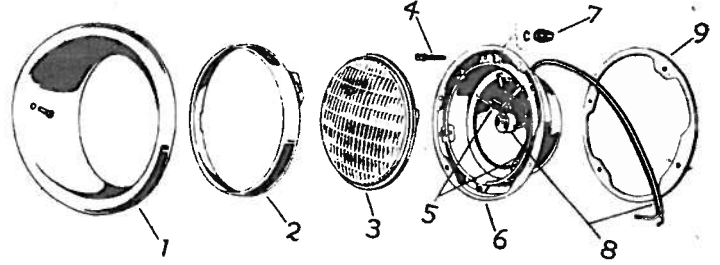
LINCOLN COSMOPOLITAN 1949 BODY PARTS

Series 9H. ALL BODY STYLES



FRONT BUMPER ALL MODELS

Item Part No.	Description	Price	Item Part No.	Description	Price
1	7EH-17752—Impact bar, center	13.05	5	8H-17996—Guard, R.H.	8.75
2	7EH-17756—Impact bar, R.H.	30.80	6	8H-17997—Guard, L.H.	8.75
3	7EH-17757—Impact bar, L.H.	30.80	7	7EH-17754—Hanger, R.H.	3.65
4	7EH-17762—Impact bar, up.	11.60	8	7EH-17755—Hanger, L.H.	3.65
			9	7EH-17766—Hanger, R.H.	3.40
			10	7EH-17767—Hanger, L.H.	3.40
			11	7EH-17859—Reinfmt.	2.55



HEADLAMP ALL MODELS

Item Part No.	Description	Price	Item Part No.	Description	Price
1	8H-13046—Door	4.50	6	8L-13002—Assem. less bulb	6.50
2	11A-13018-A—Ring, polished	.55	7	51A-13091-B—Grommet	.05
3	09A-13007—Bulb	1.30	8	51A-13076-B—Wiring assy.	1.15
4	11A-13032—Adj. screw	.10	9	11A-13044-A—Gasket	.30
5	11A-13031—Springs	.05			

FRONT FENDER ALL MODELS

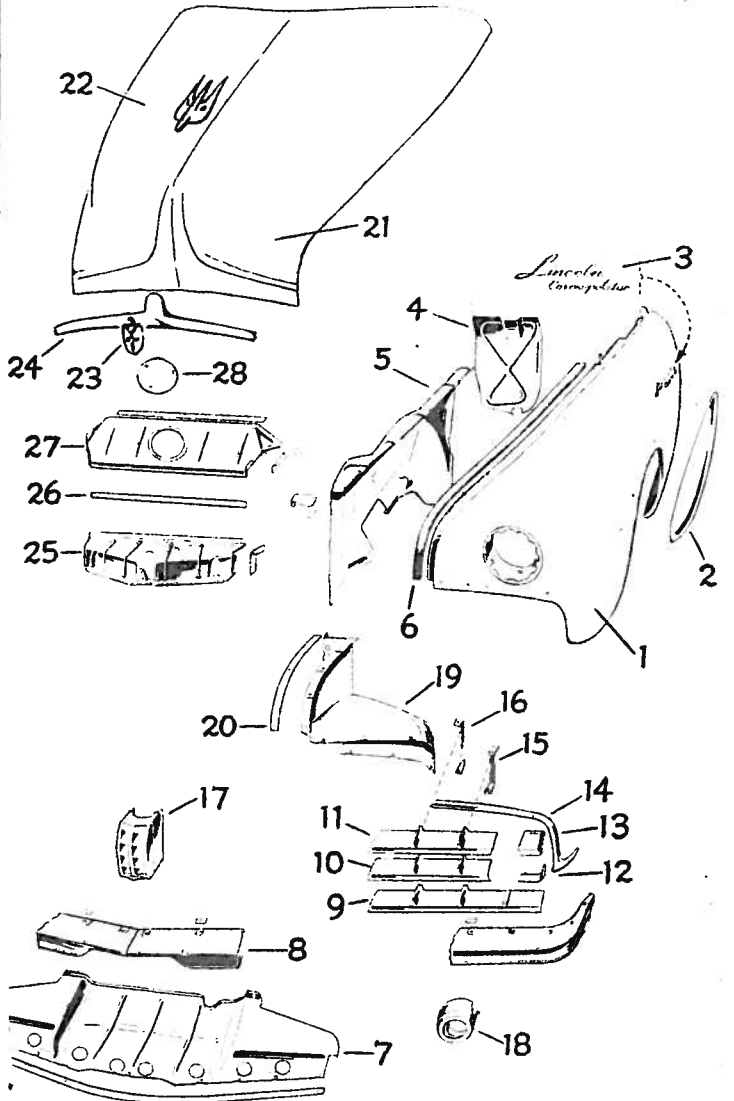
Item Part No.	Description	Price	Item Part No.	Description	Price
1	8H-16006—Fender	54.00	4	7EH-16095—Brace & brkt. assy.	3.80
2	8H-16197—Midg. assy., ctr.	16.90	5	8H-16055—Apron	10.95
3	8A-16724-B—Medallion, Lincoln	1.60	6	8H-8403—Anti-squeak	.25
3	8H-16724-C—Medallion, Cosmopolitan	1.60			

DEFLECTOR AND GRILLE ALL MODELS

Item Part No.	Description	Price	Item Part No.	Description	Price
7	8H-8209—Shield assy., rad. splash	9.65	14	8H-16211—Midg., frt. fend. grille	7.00
8	8H-17744—Deflector assy., stone	19.30	15	7EH-8496—Support assy., rad. outer	.55
9	7EH-8151—Grille, L.H. low	13.25	16	7EH-8447—Support assy., rad. inner	.55
10	7EH-8173—Grille, L.H. inter.	10.25	17	7EH-8241—Grille, center	13.75
11	7EH-8205—Grille, L.H. up.	10.25	18	7EH-8207-B—Roadlamp hang., L.H.	8.00
12	7EH-8379-B—Grille, L.H., outer intrm.	1.10	19	8H-8311—Deflector assy., air L.H.	10.50
13	7EH-8377—Grille, L.H., outer upr.	1.95	20	8H-8405—Anti sqk.	.25

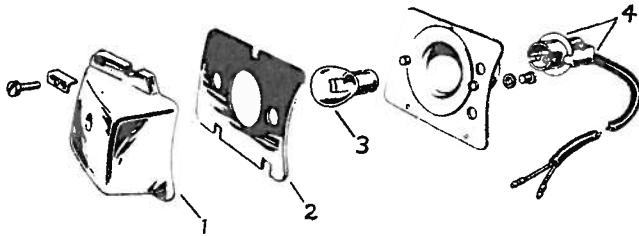
HOOD ALL MODELS

Item Part No.	Description	Price	Item Part No.	Description	Price
21	8H-16612—Panel assy. (hood), welded	92.50	25	7EH-16774—Support assy., latch	
22	8H-16850—Ornament	10.00	26	8H-8412—Anti-squeak	
23	5EH-16607—Emblem (hood), low. frt.	2.50	27	7EH-8308—Panel, deflect.	
24	7EH-8216—Ornament (hood) low. frt.	8.70	28	7EH-8346—Plate, upper	



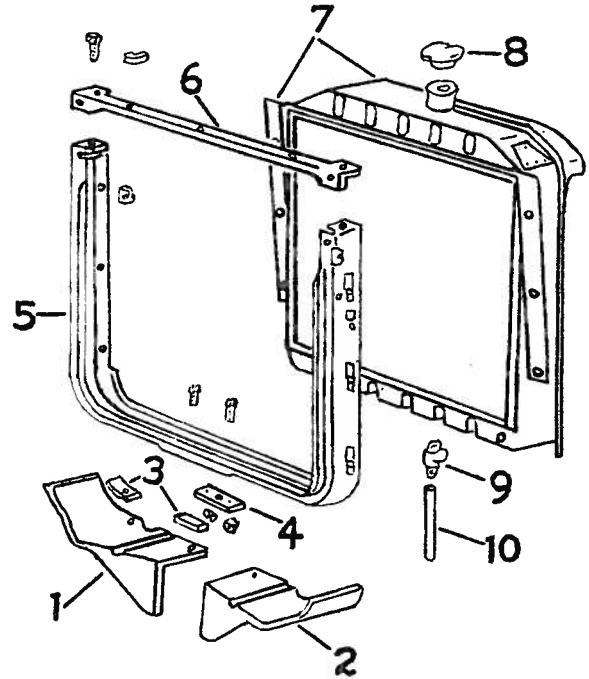
BODY PARTS 1949 LINCOLN COSMOPOLITAN

Series 9H. ALL BODY STYLES



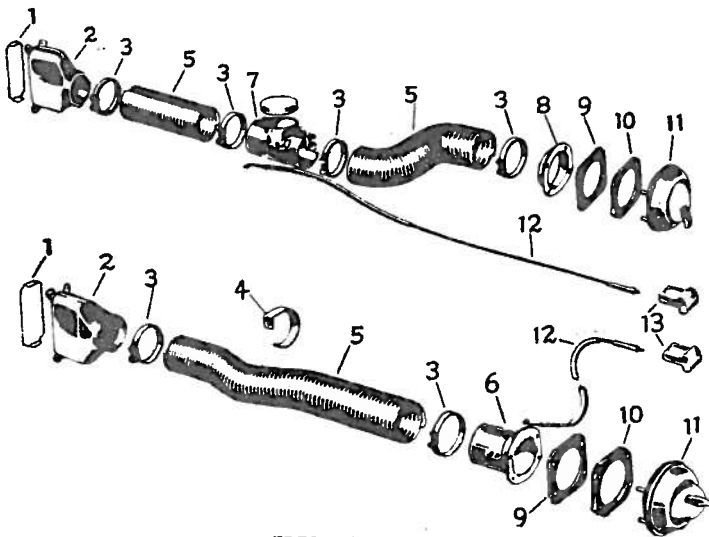
PARKING LAMP
ALL MODELS

Item Part No.	Description	Price	Item Part No.	Description	Price
7EH-13201	Lamp assy., L.H.	4.15	3 11A-13465	Bulb	.30
1 7EH-13209	Lens	.70	4 7EH-13234	Wiring & socket assy.	1.35
2 7EH-13211	Gasket	.15			



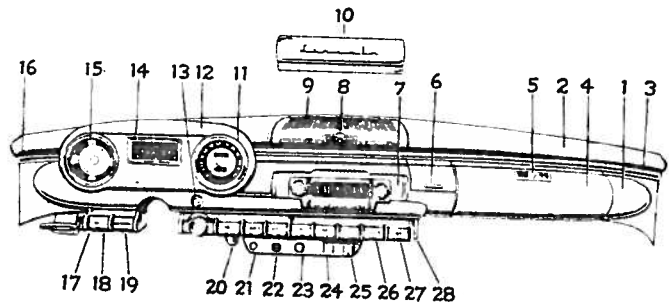
RADIATOR
ALL MODELS

Item Part No.	Description	Price	Item Part No.	Description	Price
1 8L-16554	Shield, rad. sup. R.H.	1.30	5 8L-16138	Support	8.50
2 8L-16555	Shield, rad. sup. L.H.	1.30	6 16152	Bar	1.60
3 8M-6780	Anti-squeak	.05	7 8H-8005-A	Radiator	87.30
4 8M-16186	Pad	.06	8 26H-8100-B	Cap	1.50
			9 8CM-8115-A	Drain cock	.55
			10 59L-8081	Extension	.20



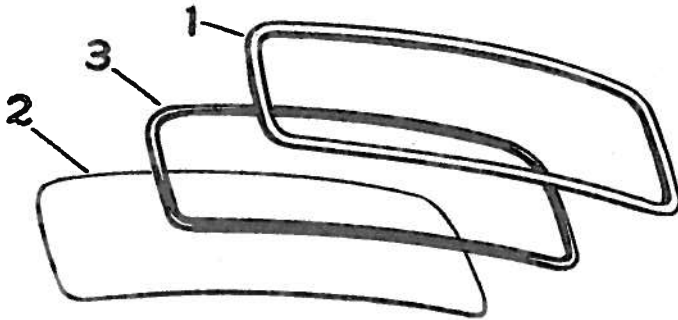
FRESH AIR VENT
ALL MODELS

Item Part No.	Description	Price	Item Part No.	Description	Price
1 7EH-8716	Screen	.10	6 8H-7301851	Valve, L.H.	3.80
2 7EH-8702	Conductor	1.65	7 8H-7301850	Valve, R.H.	3.80
3 8H-8725	Clamp	.15	8 8H-7301852	Collar	1.50
4 8L-8724	Brkt.	.20	9 8H-18570-B	Gasket	.75
5 8H-8721-A	Duct, vent., 4"x1 1/2"	2.05	10 8H-7301880	Gasket	.50
5 8H-8721-B	Duct, vent., 4"x1 1/2"	2.15	11 8L-7301814	Register	4.10
5 8L-8721-B	Duct, vent., driver side	3.70	12 8H-7301890-B	Cable	1.75
			13 8L-7004658-C	Tray	3.70



INSTRUMENT PANEL
ALL MODELS

Item Part No.	Description	Price	Item Part No.	Description	Price
1 8H-7304320-A	Panel, inst.	22.50	16 7EH-7304333	Mldg. trim, L.H.	2.00
2 8H-7304308-C	Panel, inst. brd. cover	7.30	17 8H-7004383	Panel, inst. control, short	7.35
3 7EH-7304332	Mldg., trim R.H.	2.25	18 8L-7004658-G	Tray, lights	3.70
4 8H-7306024	Door panel	3.25	19 8L-7004694	Tray, overdrive	4.00
5 8H-7006081	Lock	5.15	20 8L-7004658-B	Tray, map light	3.70
6 8H-7304800-B	Receptacle, ash	2.55	21 8L-7004602	Tray, cigar lighter	3.70
7 8H-18842	Bezel, radio	1.10	22 8L-7004658-A	Tray, w/s w/wirer	3.70
8 8H-7304490	Ornament, grille	3.15	23 8L-7004658-F	Tray, fog light	3.70
9 7EH-7304429-A	Grille	6.10	24 8L-70046658-C	Tray, air	3.70
10 8H-7304371	Cover, rad. opening	2.55	25 8L-7004658-D	Tray, defroster	3.70
11 8L-10862	Bezel, speed & inst. cluster	.95	26 8L-7004658-E	Tray, heater	3.70
12 8H-7304318-B	Hsng. inst. pan. cluster	10.35	27 8L-7004658-C	Tray, air	3.70
13 8H-11500	Switch, starter	.65	28 8L-7004382	Panel, inst. control, long	14.25
14 8L-15010	Bezel, clock	.90			
15 8L-10862	Bezel, inst. & speed. cluster	.95			

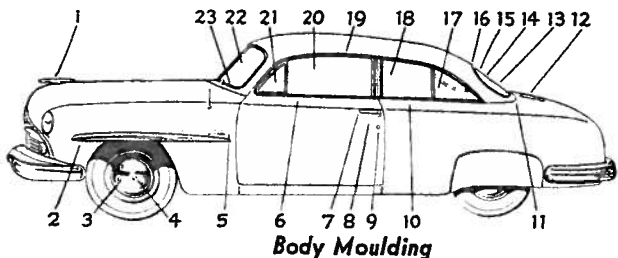


WINDSHIELD
BODY TYPES—72, 73, 74

Item Part No.	Description	Price	Item Part No.	Description	Price
1 7EH-7303088-A	Mldg., outer fin.	7.35	3 7EH-7303115	Wthstp., rubber	4.95
2 7EH-7303100	Glass	45.35			

LINCOLN COSMOPOLITAN 1949 BODY PARTS

Series 9H. ALL BODY STYLES



Body Moulding

OUTSIDE Moulding BODY STYLE-72-COUPE

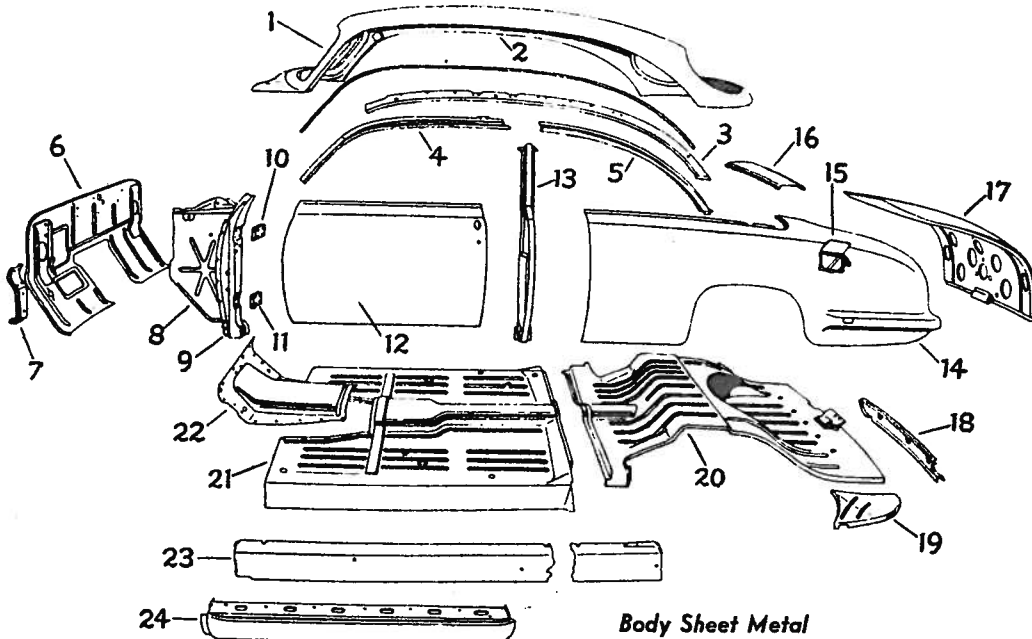
Item Part No.	Description	Price
1 8H-16850	Ornament	10.00
2 8H-16197	Fender midg.	16.90

Item Part No.	Description	Price	Item Part No.	Description	Price
3 8L-1130-B	Hub cap	8.90	12 7EH-7242701	Hinge, lock..	3.90
4 8L-1141	Medallion, hub cap	1.15	13 7EH-7242027	Glass, L.H. end	4.75
5 8H-16724-C	Medallion	1.60	14 8M-7242421	Bar, div. L.H.	1.15
6 7EH-7221011	Mldg. & wthstp., belt	5.50	15 7EH-7342006	Glass, center	16.50
7 7EH-7322405	Handle	3.45	16 7EH-7342430-A	Mldg., wdshld.	6.85
8 7EH-7322450	Button	1.90	17 8H-7229712	Glass, vent...	5.10
9 8H-7321985	Lock & sleeve assy.	1.95	18 8M-7229710-A	Glass, qt. wind.	4.80
10 8H-7229909	Mldg. & wthstp. qt. belt	.95	19 8M-7251701	Drip mldg.	1.90
10 7EH-7229035	Mldg. & wthstp. qt. belt	6.25	20 8M-7021410-A	Glass	7.15
11 8H-7251735	Mldg., roof pan. fin.	2.50	21 8H-7321412	Glass, vent...	1.90
			22 7EH-7303100	Glass, wdshld.	45.35
			23 7EH-7303088	Mldg.	7.35

CAR BODY

BODY TYPE-72-SIX PASSENGER COUPE

Item Part No.	Description	Price
1 8H-7250200	Roof panel	150.00
2 7EH-7251701	Drip mldg.	1.90
3 8H-7251197	Reinfmt., side rail	3.90
4 7EH-7251185	Rail, roof side	9.40
5 7EH-7251215	Rail, roof side, rear	8.05
6 8H-7301610	Dash panel	21.60
7 8H-7301781	Brace, dash to fr.	2.30
8 8H-7302043	Pillar & panel assy.	22.75
9 7EH-7302659	Hinge pillar assy.	13.50
10 7EH-7322801	Hinge, upper	4.30
11 7EH-7322810	Hinge, lower	3.60
12 8H-7220123	Door, less paint, trim, etc.	54.00
13 8H-7228161-B	Qt. lock pillar assy.	11.65
14 7EH-7227841	Qt. panel assy.	51.00
15 7EH-7228610	Lid assy., tank	1.10
16 8H-7240314	Panel, up. back	4.95
17 8H-7240112	Door assy., luggage	36.25
18 8H-7240320	Panel, low. back	5.45
19 7EH-7311251	Extension	1.10
20 8H-7211216-B	Pan assy., rear fl.	44.75
21 8H-7311134	Pan & reinfmt., frt. fl.	70.00
22 8H-7312108-A	Trans. cover plate	8.30
23 7EH-7310111	Side member	3.95
24 8H-7210131	Rocker panel.	6.80

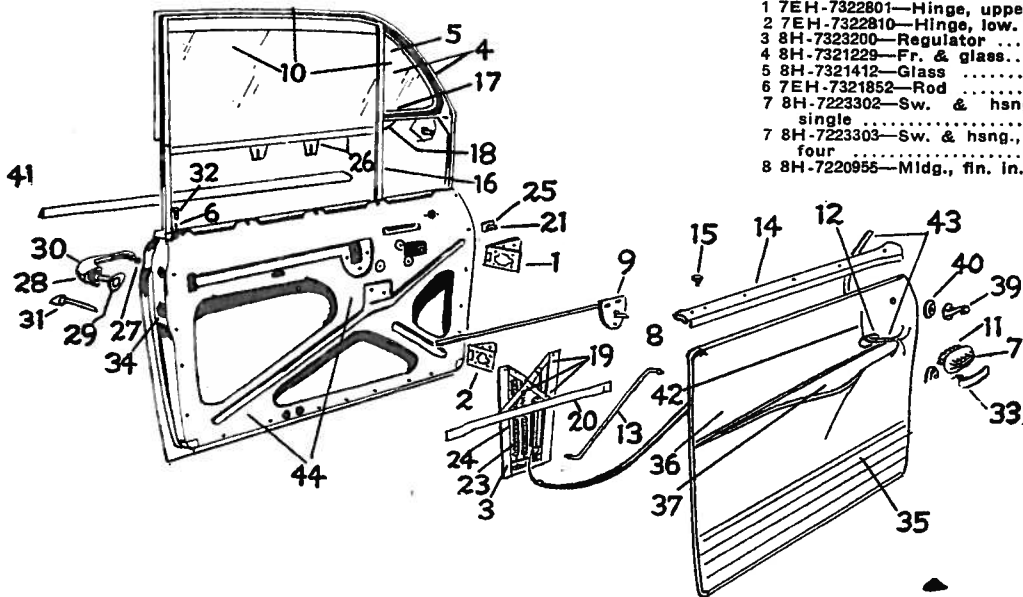


Body Sheet Metal

FRONT DOOR PARTS

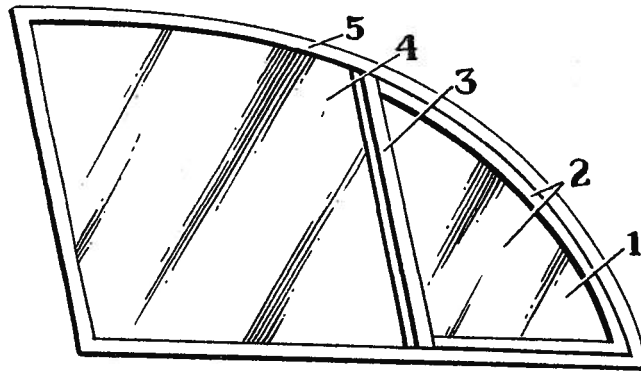
BODY TYPE-72-COUPE

Item Part No.	Description	Price	Item Part No.	Description	Price
1 7EH-7322801	Hinge, upper	4.30	9 7EH-7221831	Rem. control.	2.30
2 7EH-7322810	Hinge, low.	3.60	10 8H-7222221	Fr. gls. & vent	42.25
3 8H-7323200	Regulator	11.35	11 8H-7224206	Switch	1.95
4 8H-7321229	Fr. & glass	11.35	12 8H-7224232	Mtg. plate, single	.30
5 8H-7321412	Glass	1.90	12 8H-7224233	Mtg. plate, four	.40
6 7EH-7321852	Rod	.20	13 7EH-7253351	Tube	.85
7 8H-7223302	Sw. & hsnng., single	4.90	14 8H-7220901	Strip, wdo. fin.	9.15
7 8H-7223303	Sw. & hsnng., four	10.80	15 16H-7321999-A	Ferrule	.10
8 8H-7220955	Mldg., fin. in.	3.40	16 8H-7322797	Bar, vent. div.	6.20
			17 8H-7322858	Latch, vent	1.40
			18 8H-7323058	Brkt., latch	.20
			19 8H-7323204	Fr. & arm, reg.	5.80
			20 8H-7323244	Cylinder	8.25
			21 8H-7323456	Ext. shaft	.40
			7EH-7323500	Arm, check	.35
			23 8H-7353329	Spring, inner	.85
			24 8H-7353330	Spring, outer	.80
			25-16H-7323468	Ret. shaft	.30
			26 8H-7221463	Chan. & brkt.	.10
			27 7EH-7322448	Pad, small	.10
			28 7EH-7322450	Button, hdl.	1.90
			29 7EH-7322428	Pad, large	.15
			30 7EH-7322405	Handle	3.45
			31 8H-7321985	Lock & sieve, w/keys	1.95
			32 8A-7021850	Knob	.30
			33 8H-7322600	Handle	2.5
			34 8H-7321813	Lock	4.2
			35 7EH-7220956	Mldg., trim	2.7
			36 8H-7223P69-AA	Trim panel	53.5
			37 8H-7224141-A	Arm rest, trimmed	28.00
			39 8H-7323410	Handle	1.35
			40 8H-7323420	Escutcheon	.80
			41 7EH-7221011	Mldg. & wthstp., belt	5.50
			42 8H-14508	Wiring	.65
			43 8H-14401	Wiring	38.35
			44 8H-7220123	Dr., less paint, trim, hinges	54.00



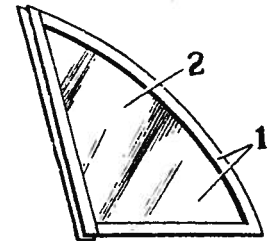
BODY PARTS 1949 LINCOLN COSMOPOLITAN

Series 9H. ALL BODY STYLES



QUARTER WINDOW BODY TYPE—72—COUPE

Item Part No.	Description	Price
1	8H-7229712—Glass, vent ...	5.10
2	8H-7229701—Glass & frame, vent	14.95
3	7EH-7230235—Div. bar	5.10
4	7EH-7229710—Glass, wdo.	5.10
5	8H-7229001—Fin. strip, out.	10.35

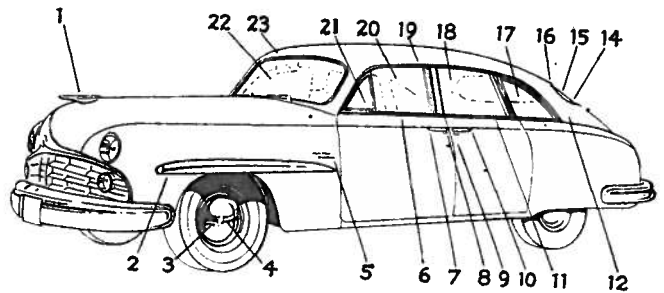


QUARTER VENTILATING WINDOW BODY STYLE—73—4 DOOR

Item Part No.	Description	Price
8H-7330505	Qt. vent., complete	53.80
1	8H-7329701—Glass & frame	19.75
2	8H-7329710—Glass	5.35

OUTSIDE Moulding BODY STYLE—73—TOWN SEDAN

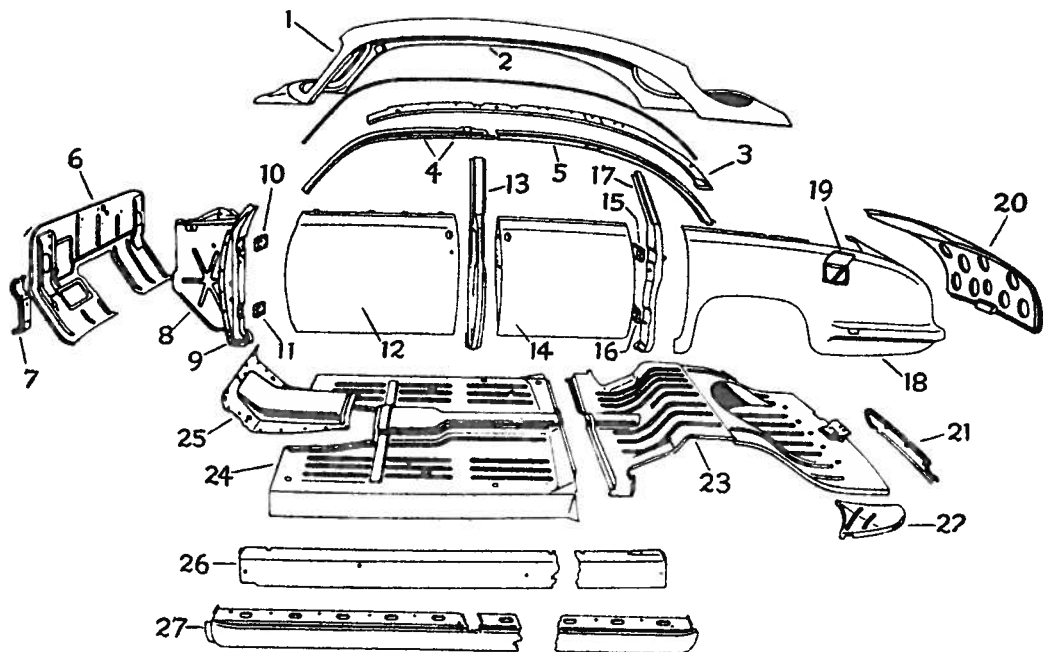
Item Part No.	Description	Price	Item Part No.	Description	Price
1	8H-16850—Ornament	10.00	11	7EH-7325853—Midg. & withstp., belt	.45
2	8H-16197—Fender midg.	16.90	12	8H-7329117—Midg. qt. belt	8.00
3	8L-1130-B—Hub cap	8.90	13	7EH-7342700—Hinge, lug	4.15
4	8L-1141—Medallion, hub cap	1.15	14	7EH-7342027—Glass, L.H. end	4.75
5	8H-16724-C—Medallion	1.60	15	7EH-7342292—Bar, div. L.H.	.85
6	8H-7321437—Midg. & withstp., belt	.35	16	7EH-7342006—Glass, center	16.50
7	7EH-7322405—Handle, frt. dr.	3.45	17	8H-7329710—Qt. glass	5.35
8	7EH-7322450—Button	1.90	18	7EH-7325712—Glass	8.60
9	8H-7321985—Lock & sleeve assy.	1.95	19	7EH-7351701—Drip midg.	1.95
10	7EH-7322405—Handle, R. dr.	3.45	20	7EH-7321410—Glass	5.60
			21	8H-7321412—Glass	1.90
			22	7EH-7308100—Glass	45.35
			23	7EH-7308088—Midg.	7.35



Body Moulding

CAR BODY BODY TYPE—73—TOWN SEDAN

Item Part No.	Description	Price
1	8H-7350200—Roof panel	150.00
2	7EH-7351701—Drip midg.	1.95
3	8H-7351197—Reinfmt., side rail	4.10
4	7EH-7351185—Rail, side	6.00
5	7EH-7351215—Rail, side, rear	7.95
6	8H-7301610—Dash panel	21.60
7	8H-7301781—Brace, dash to fr.	2.30
8	8H-7302043—Pillar & Panel assy.	22.75
9	7EH-7302659—Hinge pillar assy.	13.50
10	7EH-7322801—Hinge, upper	4.30
11	7EH-7322810—Hinge, lower	3.60
12	8H-7320123-A—Door, less paint, trim, etc.	49.50
13	8H-7324300—Pillar assy., center	15.75
14	8H-7324623—Door, less paint, trim, etc.	40.00
15	7EH-7326801—Hinge, upper	4.10
16	7EH-7326811—Hinge, lower	4.35
17	7EH-7328105—Hinge pillar assy., qt.	13.25
18	7EH-7327841—Qt. panel assy.	51.50
19	7EH-7328610—Lid assy., tank	1.10
20	8H-7340110—Door assy., luggage	41.00
21	8H-7340320—Panel, low. back	4.75
22	7EH-7311251—Extension	1.10
23	8H-7311216-B—Pan assy., R. fl.	44.50
24	8H-7311134-B—Pan & reinfmt., frt. fl.	70.00
25	8H-7312108-A—Trans. cover plate	8.30
26	8H-7310111—Side member	3.95
27	7EH-7310131—Rocker panel	12.75



Body Sheet Metal

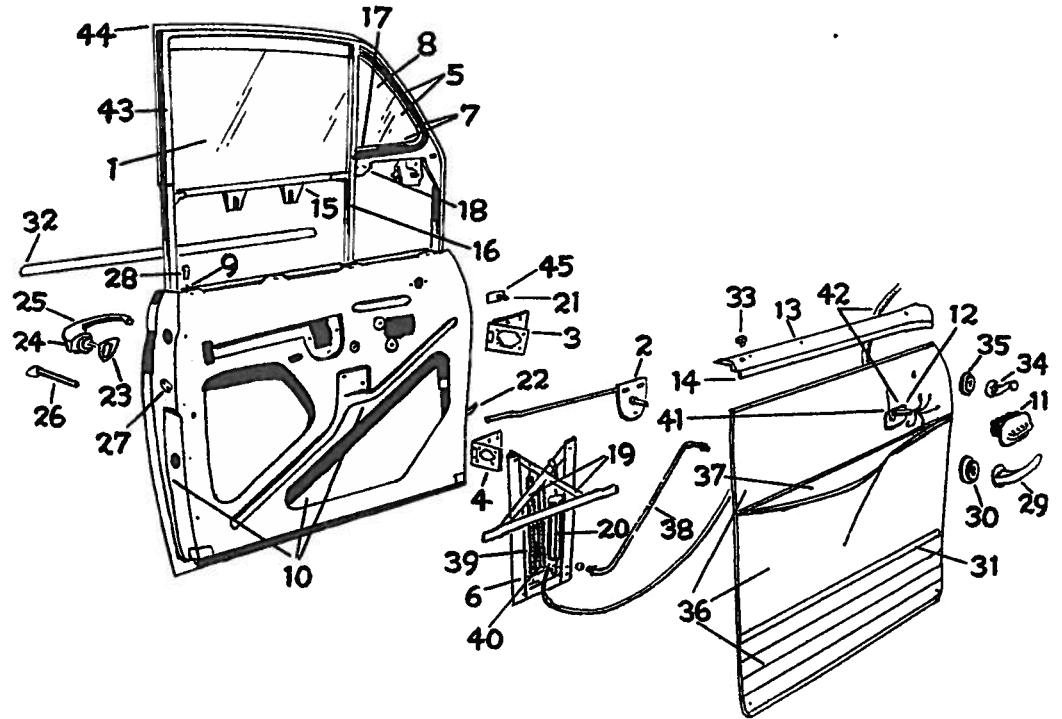
LINCOLN COSMOPOLITAN 1949 BODY PARTS

Series 9H. ALL BODY STYLES

FRONT DOOR PARTS

BODY TYPES—73 & 74 TOWN & SPORTS SEDAN

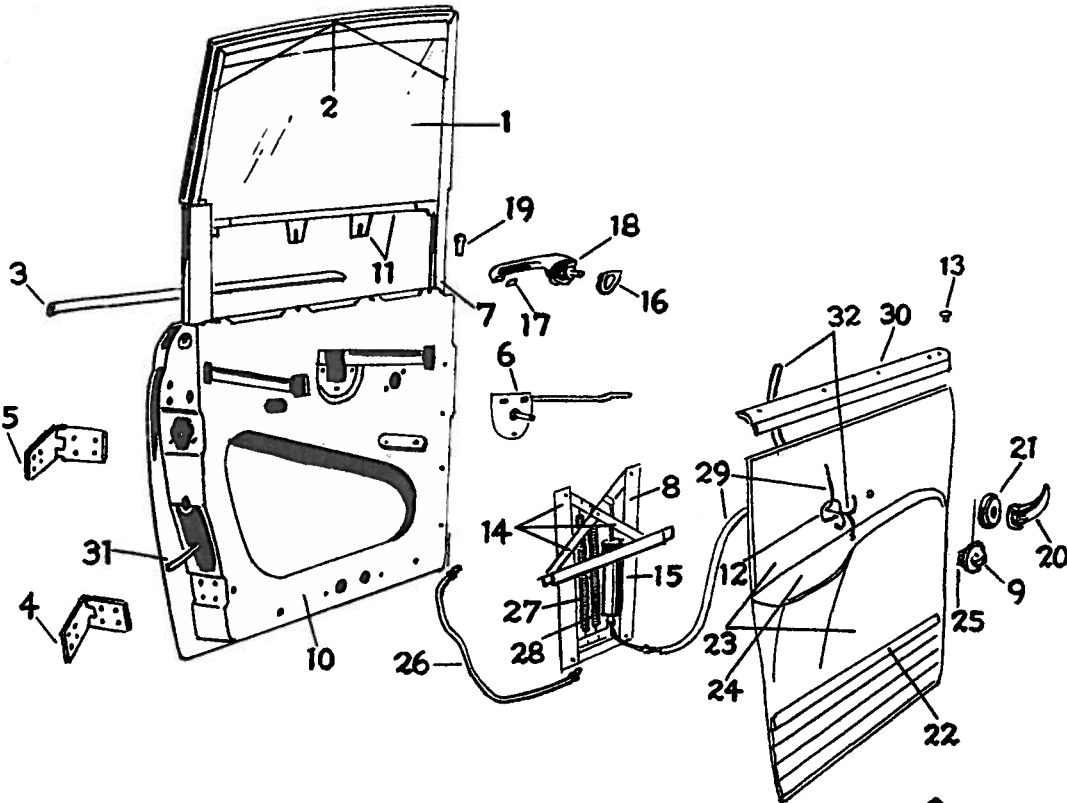
Item	Part No.	Description	Price
1	7EH-7321410	Glass	5.60
2	7EH-7321831	Rem. control	1.80
3	7EH-7322801	Hinge, upper	4.30
4	7EH-7322810	Hinge, low	3.60
5	8H-7322221	Fr. glass & vent wdo.	41.75
6	8H-7323200-A	Regulator	14.85
7	8H-7321229	Fr. & glass	11.35
8	8H-7321412	Glass	1.90
9	7EH-7321852	Rod	.20
10	8H-7320123-A	Door, less paint & trim	49.50
11	8H-7223302	Sw. & hang., single	4.30
11	8H-7223303	Sw. & hngs., four	10.80
12	8H-7224232	Plate, single	.30
12	8H-7224233	Plate, four	.40
13	8H-7320901	Strip, wdo. fin.	5.80
14	8H-7320955	Mldg.	3.00
15	7EH-7321463	Chan. & brkt., hyd.	1.65
16	8H-7322297	Bar, div.	6.20
17	8H-7322858	Latch	1.40
18	8H-7323058	Brkt., latch	.20
19	8H-7323204	Regulator, fr. & arm	5.80
20	8H-7323244	Cylinder	8.25
21	8H-7323456	Ext. shaft	.40
22	7EH-7323600	Arm, check	.35
23	7EH-7322448	Pad	1.90
24	7EH-7322450	Button	1.90
25	7EH-7322405	Handle	3.45
26	8H-7321985-R	Rock & sl. w/keys	1.95
27	8H-7321813	Lock	4.25
28	8H-7321850-C	Knob	.30
29	8H-7322600	Handle	2.45
30	8H-7322618	Escutcheon	1.10
31	7EH-7320956	Mldg., low. trim	2.50
32	8H-7321019	Mldg., belt	5.25
33	16H-7321999-A	Ferrule	.10



Item	Part No.	Description	Price
34	8H-7323410	Handle	1.35
35	8H-7323420	Escutcheon	.80
36	8H-7323869-AH	Trim panel	46.00
37	8H-7324141-A	Arm rest, trimmed	22.00

Item	Part No.	Description	Price
38	7EH-7353361	Tube	.80
39	8H-7353329	Spring, outer	.85
40	8H-7353330	Spring, inner	.80
41	8H-14508	Wiring, sw. to sol.	.65

Item	Part No.	Description	Price
42	8H-14401-A	Wiring, inst. p. to d.p.	38.35
43	7EH-7321650	Run, glass	.90
44	7EH-7321548	Run, glass	.70
45	16H-7323468	Retainer	.30



REAR DOOR PARTS

BODY STYLE—73 & 74—TOWN & SPORTS SEDAN

Item	Part No.	Description	Price
1	7EH-7425712	Glass, 74	8.60
1	7EH-7325712	Glass, 73	8.60
2	8H-7426221	Frame, 74	30.25
2	8H-7326221-B	Frame, 73	32.50
3	7EH-7325853	Mld. & w/strip, belt	.45
4	7EH-7326811	Hinge	4.30
5	7EH-7326801	Hinge	4.10
6	7EH-7326407	Remote con.	1.95
7	7EH-7321852	Rod	.20
8	8H-7323200-A	Regulator	14.85
9	8H-7223302-A	Sw. & hang., single	4.30
10	8H-7324623	Door less hinges, paint & trim	40.00
11	8H-7326229	Channel & brkt.	1.70
12	8H-7224232	Mtg. plate	.30
13	16H-7321999-A	Ferrule	.05
14	8H-7323204	Fr. & arm, reg.	5.80
15	8H-7323244	Cylinder	8.25
16	7EH-7322428	Pad, large	.15
17	7EH-7322448	Pad, small	.10
18	7EH-7322405	Handle	3.45
19	8A-7021850	Knob	.30
20	8H-7322600	Handle	2.45
21	8H-7322618	Escutcheon	1.10
22	7EH-7325558	Mldg.	2.00
23	8H-7327407-AA	Trim panel	4.25
24	8H-7327541-A	Arm rest	2.60
25	8H-7224206	Switch, reg.	1.95
26	7EH-7353368	Tube, hyd.	.10
27	8H-7353329	Spring, outer	.85
28	8H-7353330	Spring, inner	.80
29	8H-14508	Wiring	.65
30	7EH-7325501	Fin. strip	6.1
31	7EH-7323500	Check arm	.35
32	8H-14339-C	Wiring	9.85

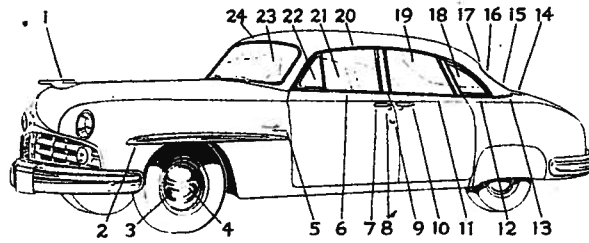
BODY PARTS 1949 LINCOLN COSMOPOLITAN

Series 9H. ALL BODY STYLES

OUTSIDE MOULDING

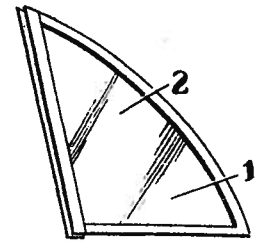
BODY STYLE-74-SPORT SEDAN

Item	Part No.	Description	Price
1	8H-16850	Ornament	10.00
2	1H-16197	Fender midg.	16.90
3	1L-1130-B	Hub cap	8.90
4	8L-1141	Medallion, hub cap	1.15
5	8H-16724-C	Medallion	1.60
6	8H-7321437	Midg. & wstsp., belt	.35
7	7EH-7322405	Handle, F. dr.	3.45
8	7EH-7322450	Button	1.90
9	8H-7321985	Lock & sleeve assy.	1.95
10	7EH-7322404	Handle, R. dr.	3.45
11	7EH-7325853	Midg. & wstsp., belt	.45
12	7EH-7429035	Midg., qt. belt, front	3.50
13	8H-7251735	Midg., roof fin.	2.50
14	7EH-7242701	Hinge, lug	3.90
15	7EH-7242027	Glass, L.H. end	4.75
16	7EH-7342292	Bar, div., L.H.	.85



Body Moulding

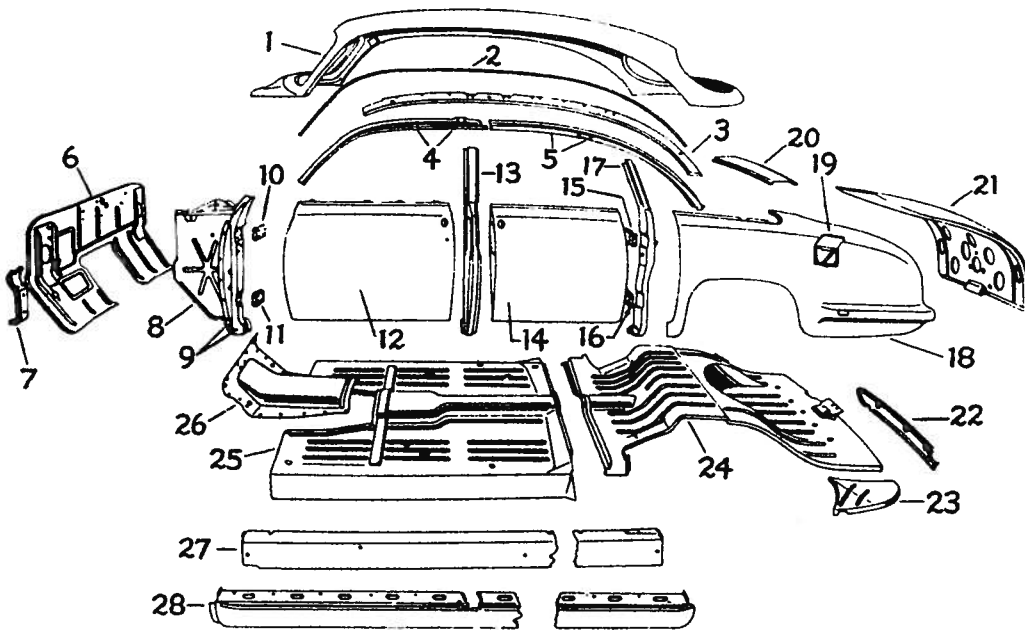
Item	Part No.	Description	Price	Item	Part No.	Description	Price
17	7EH-7342006	Glass, center.	16.50	21	7EH-7321410	Glass	5.60
18	8H-7429710	Glass	4.00	22	8H-7321412	Glass	1.90
19	7EH-7425712	Glass	8.60	23	7EH-7303100	Glass	45.35
20	7EH-7251701	Drip midg.	1.90	24	7EH-7303088	Midg.,	7.35



QUARTER VENTILATING WINDOW

BODY STYLE-74-4 DOOR

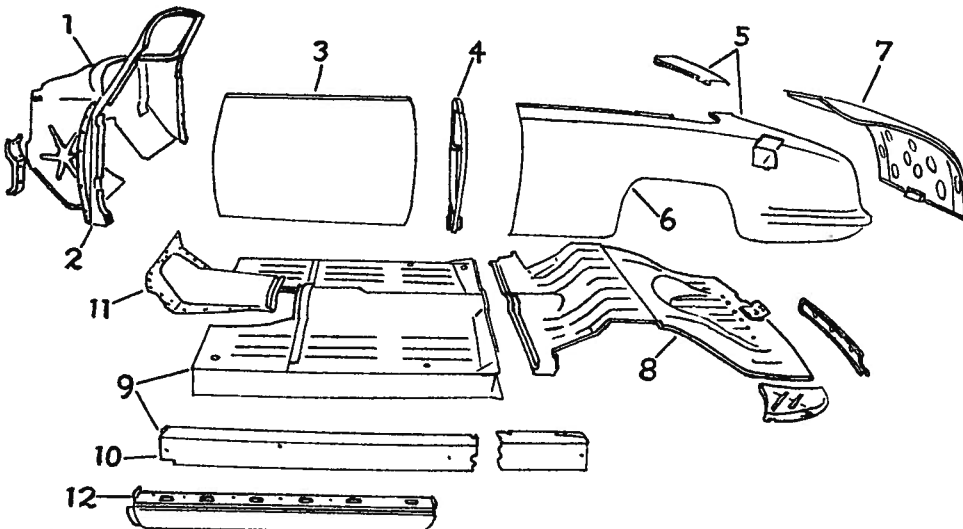
Item	Part No.	Description	Price
8H-7430505	Qt. vent., com-plate	45.00	
1	8H-7429701	Glass & frame	15.00
2	8H-7429710	Glass	4.00



CAR BODY

BODY TYPE-74-SPORT SEDAN

Item	Part No.	Description	Price
1	8H-7250200	Roof panel	150.00
2	7EH-7251701	Drip midg.	1.90
3	8H-7451197	Reinfmt., side rail	5.35
4	7EH-7351185	Rail, side	6.00
5	7EH-7451215	Rail, side rear	7.30
6	8H-7301610	Dash panel	21.60
7	8H-7301781	Brace, dash to fr.	2.30
8	8H-7302043	Pillar & panel assy.	22.75
9	7EH-7302659	Hinge pillar assy.	11.50
10	7EH-7322801	Hinge, upper	4.30
11	7EH-7322810	Hinge, lower	3.60
12	8H-7320123	Dr., less paint, trim, etc.	49.50
13	8H-7324300-B	Pillar assy., center	15.75
14	8H-7324623	Dr., less paint, trim, etc.	40.00
15	7EH-7326801	Hinge, upper	4.10
16	7EH-7326811	Hinge, lower	4.30
17	8H-7428105	Qt. hinge pillar assy.	13.25
18	7EH-7427841	Qt. pan. assy.	56.00
19	7EH-7228610	Lid assy., tank	1.10
20	8H-7240314	Panel, up. back	4.95
21	8H-7240112	Door assy., lug	36.25
22	8H-7240320	Pan., low. back	5.45
23	7EH-7311251	Extension	1.10
24	8H-7311216-B	Pan assy., R. fr.	44.50
25	8H-7311134-B	Pan & reinfmt., frt. fr.	70.00
26	8H-7312108-A	Trans., cover plate	8.30
27	7EH-7310111	Side member	4.65
28	7EH-7310131	Rocker panel	12.75



CAR BODY

BODY TYPE-76-CONVERTIBLE COUPE

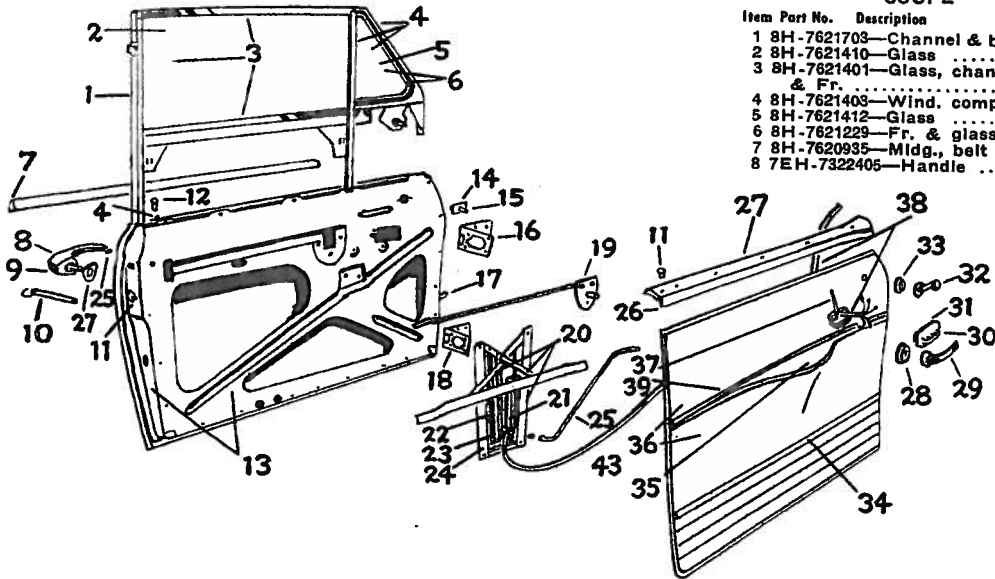
Item	Part No.	Description	Price
1	8H-7800120	Front assy.	250.00
2	8H-7602043	Pillar & panel assy.	41.50
3	8H-7620123	Door assy.	64.25
4	8H-7628161	Pillar assy.	320.00
5	8H-7627800	Qt. panel assy.	69.00
6	8H-7627841	Deck door	36.25
7	8H-7240112	Floor pan	47.75
8	8H-7611216	Pan & side member assy.	4.65
9	8H-7611100	Floor member, L.H.	4.65
10	7EH-7310111	Floor member, L.H.	4.65
11	8H-7312108-A	Trans., cover plate	8.30
12	8H-7610131	Rocker panel	11.70

LINCOLN COSMOPOLITAN 1949 BODY PARTS

Series 9H. ALL BODY STYLES

FRONT DOOR PARTS

BODY TYPE—76—CONVERTIBLE
COUPE

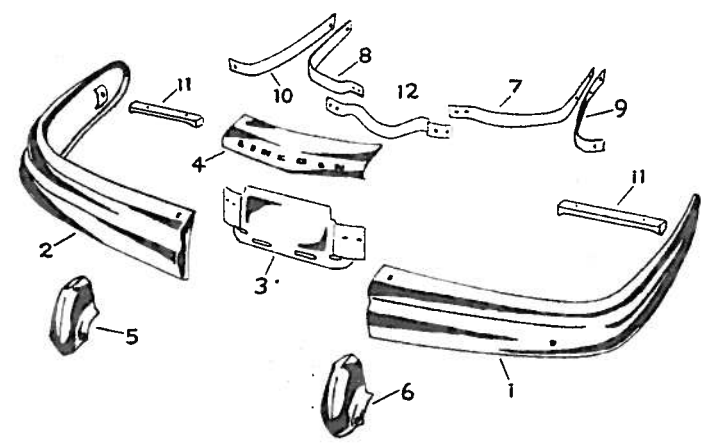
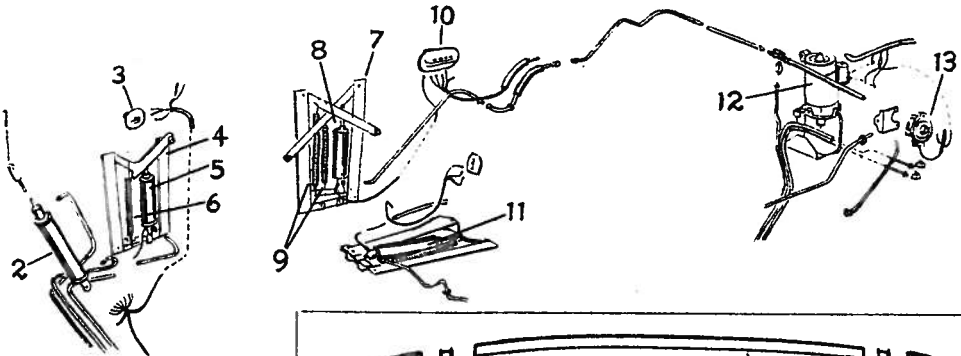


Item Part No.	Description	Price
1 8H-7621703	Channel & brkt.	6.30
2 8H-7621410	Glass	7.65
3 8H-7621401	Glass, channel & Fr.	62.00
4 8H-7621403	Wind. complete	75.00
5 8H-7621412	Glass	2.50
6 8H-7621223	Fr. & glass	16.85
7 8H-7620955	Mldg., belt	5.95
8 7EH-7322405	Handle	3.46

Item Part No.	Description	Price
9 7EH-7322450	Button, hdl.	1.90
10 8H-7321985	Lock & sleeve, w/keys	1.95
11 8H-7321813	Lock	4.25
12 8H-7321850	Knob	.30
13 8H-7620123	Dr., less paint, trim	64.50
14 16H-7323468	Retainer	.30
15 8H-7323456	Shaft	.40
16 7EH-7322801	Hinge, upper	4.30
17 7EH-7323500	Arm, check	.35
18 7EH-7322810	Hinge, low	4.30
19 7EH-7221831	Rem. control	2.30
20 8H-7323204	Fr. & arm, reg.	5.80
21 8H-7323244	Cylinder	8.25
22 8H-7353329	Spring, inner	.85
23 8H-7353330	Spring, outer	.80
24 8H-7323200-A	Regulator	14.85
25 7EH-7253351	Tube	.85
26 8H-7320955	Mldg. fin., in.	3.00
27 8H-7620901-A	Strip, in. fin.	8.05
28 8H-7322618	Escutcheon	1.10
29 8H-7322600	Handle	2.45
30 8H-7223302	Switch & hsg., single	4.50
30 8H-7223303-B	Sw. & hsg., four	10.80
31 8H-7224206	Switch	1.95
32 8H-7323410	Handle	1.35
33 8H-7323420	Escutcheon	.80
34 7EH-7320956	Mldg., trim	3.00
35 8H-7624141-A	Arm rest, trimmed	20.00
36 8H-7623869-A	Trim panel	66.75
37 8H-14508	Wiring sw. to sol.	.65
38 8H-14401	Wiring, inst. to dash	38.35
39 8H-7624191	Mldg., arm rest

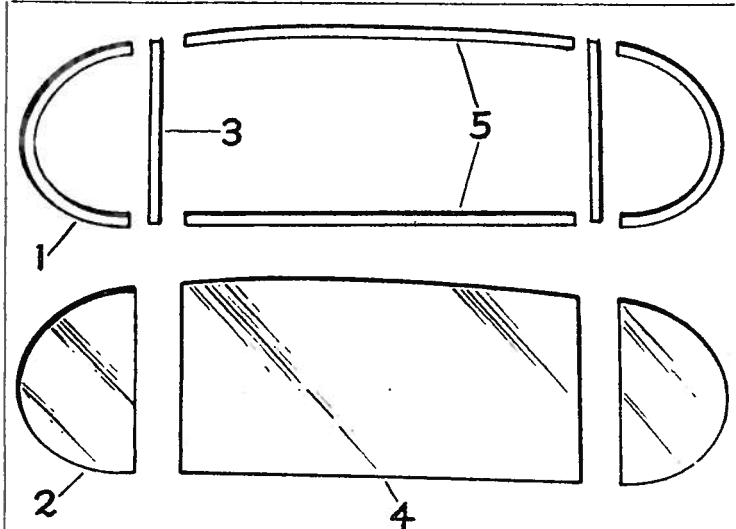
MODEL 76 HYDRAULIC SYSTEM

Item Part No.	Description	Price
1 8H-7650774	Yoke, cylinder	5.50
2 8H-7650599	Cylinder	13.00
3 8H-7223302	Switch & hang., wdo. reg.	4.30
4 8H-7630307	Regulator, qt. wdo., L.H.	13.50
5 8H-7623602	Cyl., qt. wdo.	10.35
6 8H-7623603	Spring	1.90
7 8H-7323200-A	Regul., wdo.	14.85
8 8H-7323244	Cylinder, wdo.	8.25
9 8H-7353330	Spring, inner	.80
9 8H-7353329	Spring, outer	.85
10 8H-7223303	Switch & hsg.	10.80
11 8H-7360473-B	Regul., seat pump	51.80
12 8H-7353334	Motor & hyd. pump	51.80
13 5EH-7650738	Valve, hyd. top	5.15



REAR BUMPER ALL MODELS

Item Part No.	Description	Price	Item Part No.	Description	Price
1 7EH-17864	Imp. bar, R.H.	36.25	6 8H-17985	Guard, L.H.	7.50
2 7EH-17865	Imp. bar, L.H.	36.25	7 7EH-17786	Guard, L.H.	7.50
3 7EH-17866	Impact bar, center, low	8.70	8 7EH-17787	Hanger, R.H.	2.25
4 7EH-17867	Impact bar, center, up	11.90	9 7EH-17788	Hanger, L.H.	2.25
5 8H-17984	Guard, R.H.	7.50	10 7EH-17789	Hanger, R.H.	1.75
			11 7EH-17790	Hanger, L.H.	1.75
			12 7EH-17789	Brace	.90
			12 7EH-17858	Reinfmt.	2.55



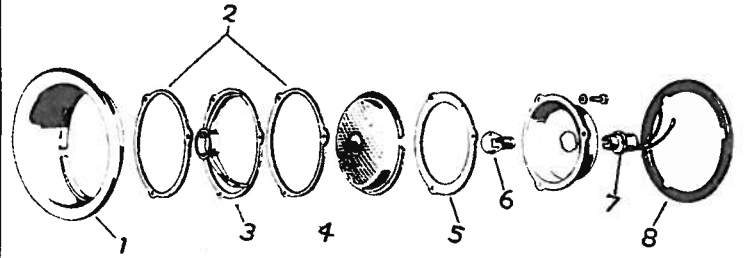
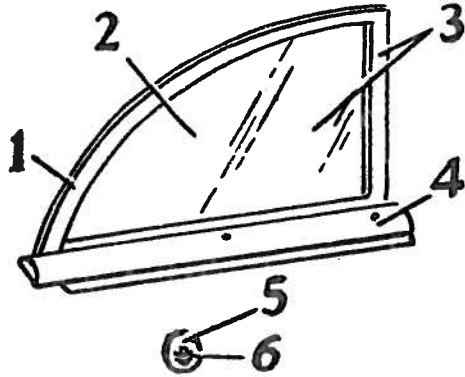
BACK WINDOW

BODY TYPES—72, 73, 74

Item Part No.	Description	Price	Item Part No.	Description	Price
1 7EH-7242430	Mldg., outside (72, 74)	7.25	2 7EH-7342027	Glass, L.H., end (73)	4.75
1 7EH-7342430	Mldg., outside (73)	6.85	3 7EH-7342292	Mldg., div. bar, L.H.	.85
2 7EH-7242027	Glass, L.H., end (72-74)	4.75	4 7EH-7342006	Glass, center	16.50
			5 8M-7242404	Mldg., up & low	1.15

BODY PARTS 1949 LINCOLN COSMOPOLITAN

Series 9H. ALL BODY STYLES



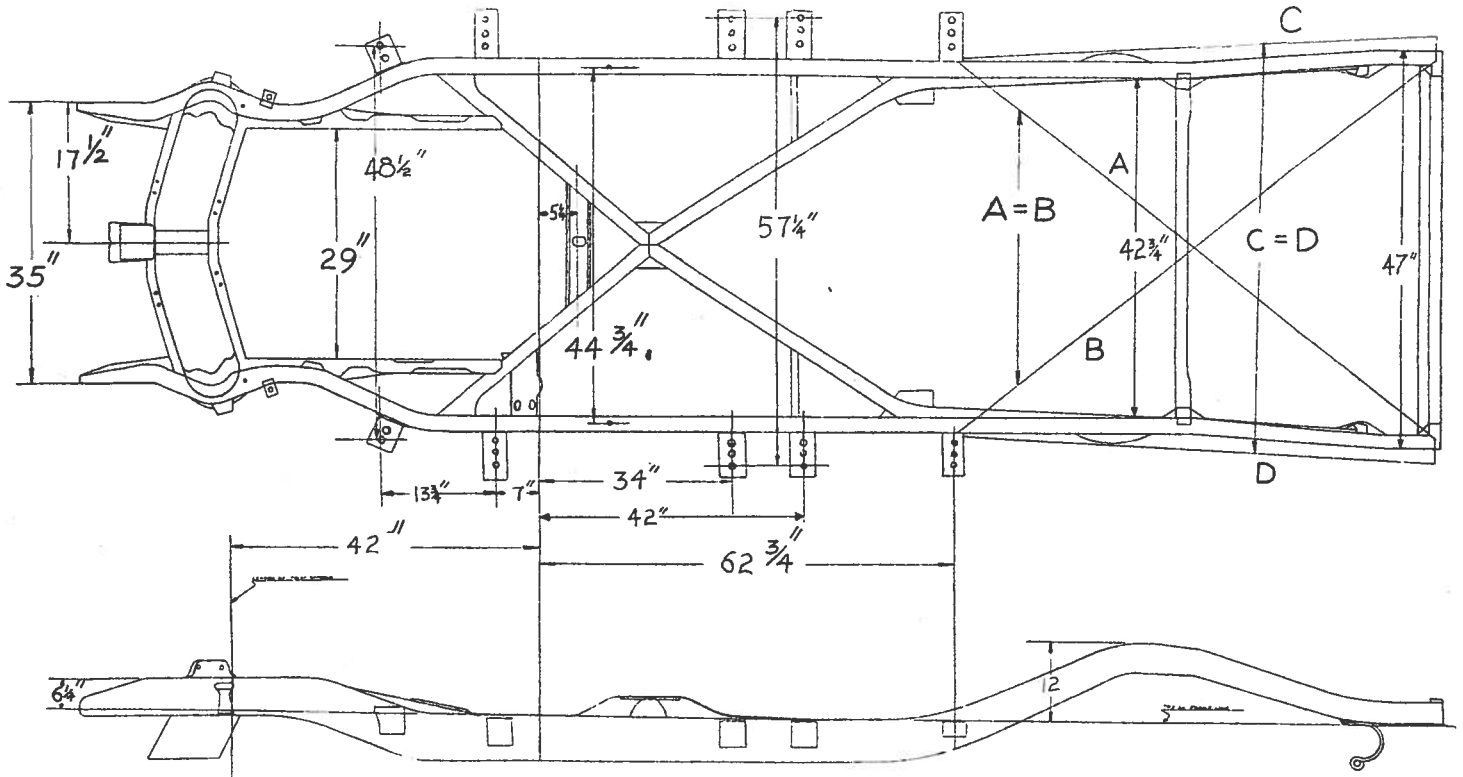
QUARTER WINDOW

BODY TYPE-76-CONVERTIBLE

Item	Part No.	Description	Price	Item	Part No.	Description	Price
1	8H-7630505	Frame	37.50	4	8H-7629001	Fin. strip	4.7
2	8H-7629710	Glass	6.10	5	8H-7224232	Plate, switch	.30
3	8H-7629701	Glass & frame	69.75	6	8H-7223302	Switch & hng.	4.30

REAR LAMP ALL MODELS

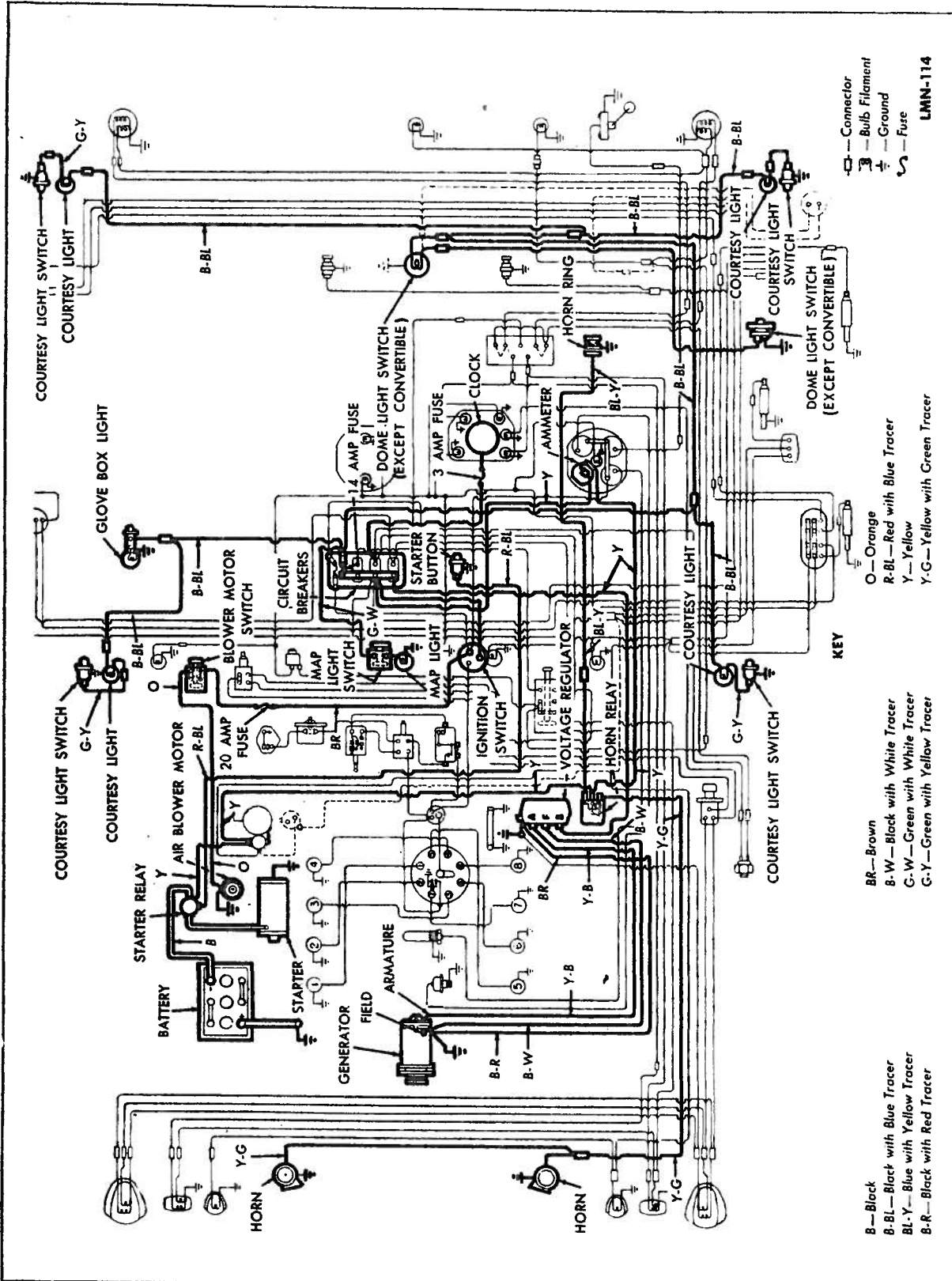
Item	Part No.	Description	Price	Item	Part No.	Description	Price
	7E8H-13405-A	Lamp assy.	7.95	5	7E8H-13461	Gasket	.15
1	7E8H-13449	Door	2.50	6	11A-13465	Bulb	.29
2	7E8H-13444	Gasket	.10	7	7EL-13410	Socket	1.25
3	7E8H-13443	Door	1.55	8	7E8H-13420	Gasket	.25
4	7E8H-13450-A	Lens	.85				



1949 Frame

LINCOLN COSMOPOLITAN 1949 WIRING

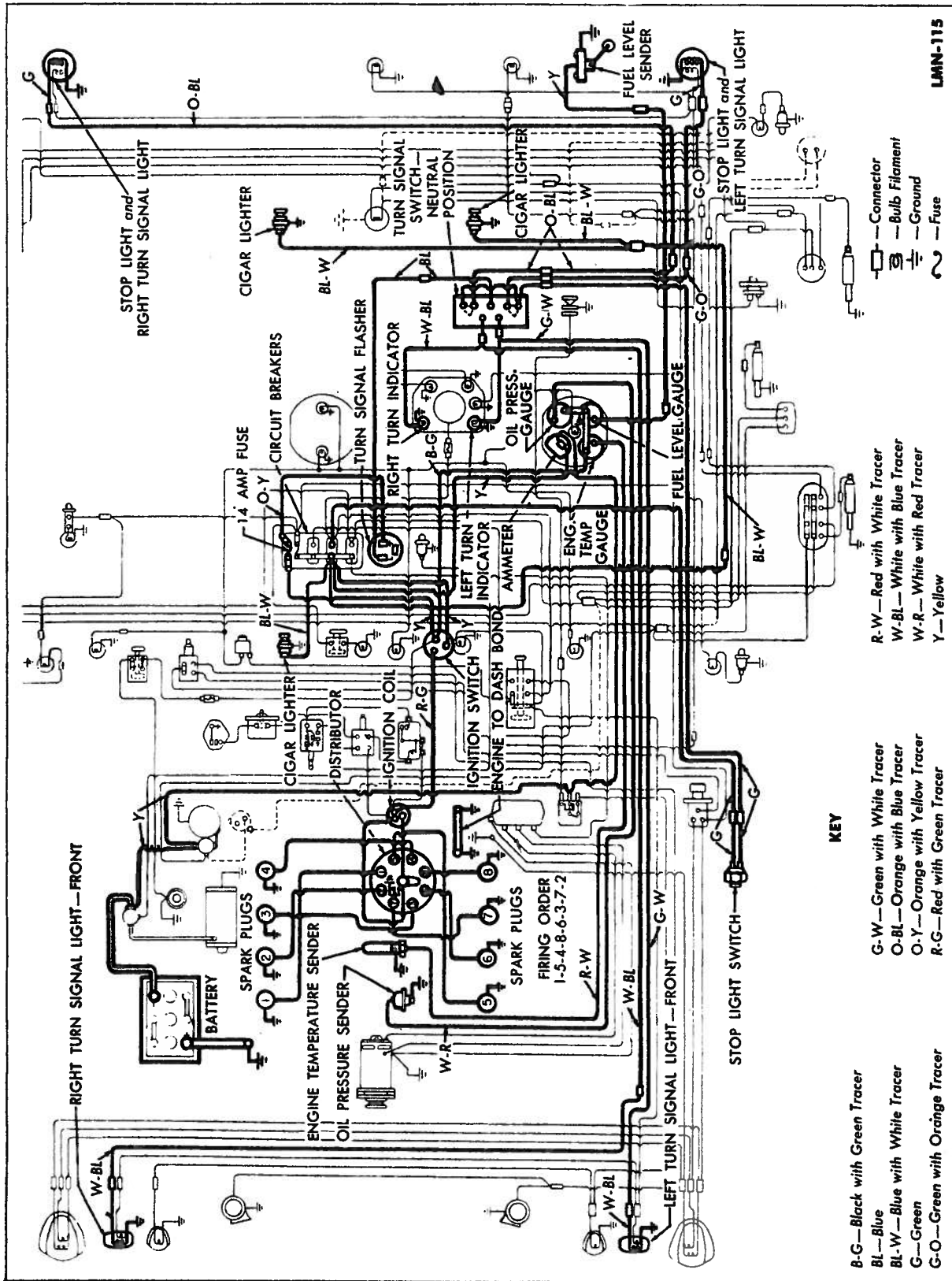
Series 9H. ALL BODY STYLES



1949 LINCOLN COSMOPOLITAN SCHEMATIC WIRING DIAGRAM
 GENERATOR-REGULATOR, STARTER, HORNS, AIR BLOWER-HEATER, CLOCK, MAP LIGHT AND
 COURTESY LIGHT CIRCUITS

WIRING 1949 LINCOLN COSMOPOLITAN

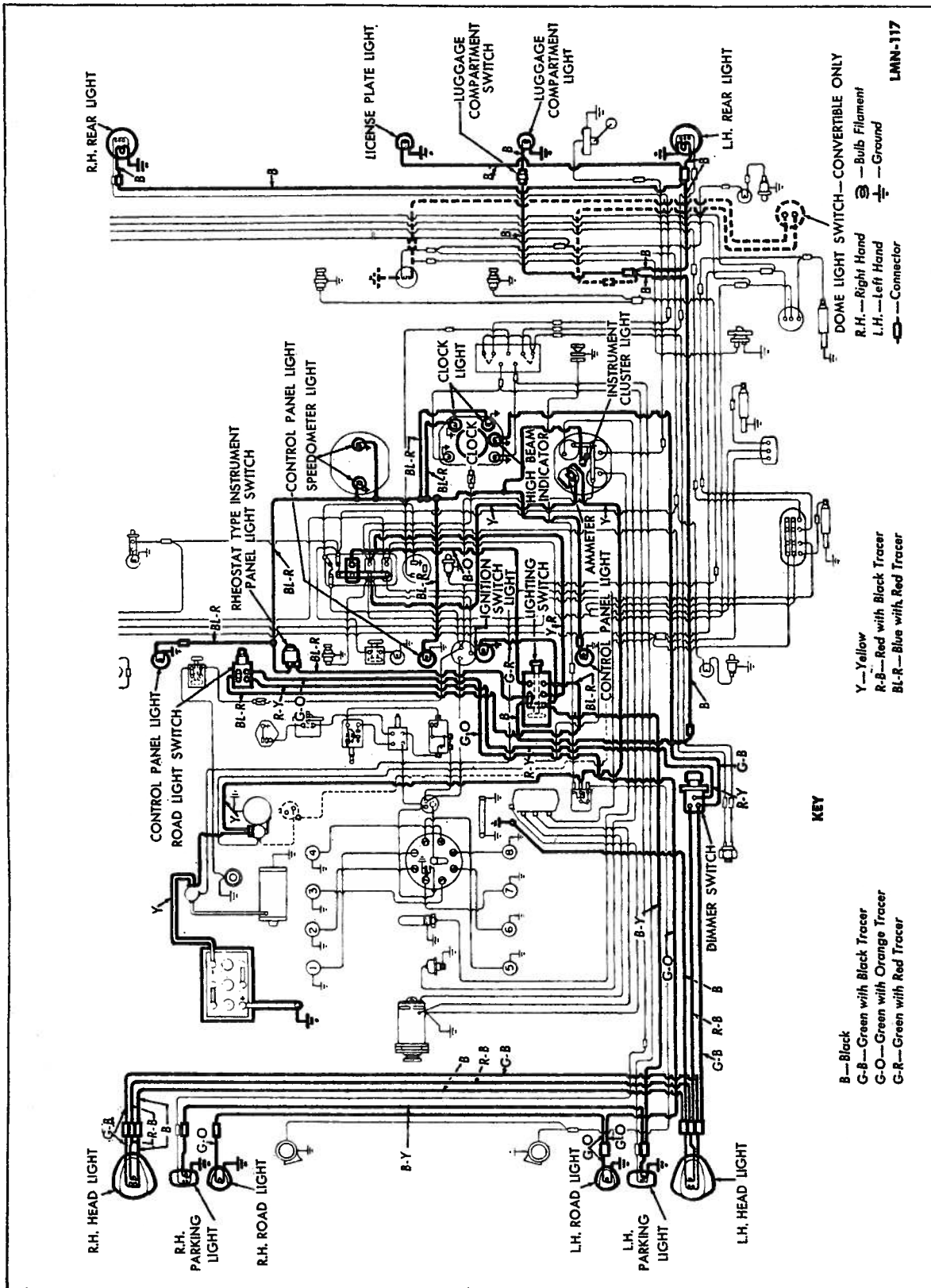
Series 9H. ALL BODY STYLES



1949 LINCOLN COSMOPOLITAN SCHEMATIC WIRING DIAGRAM
ENGINE TEMPERATURE, OIL PRESSURE AND FUEL LEVEL GAUGES, IGNITION, CIGAR LIGHTERS,
TURN SIGNAL AND STOP LIGHT CIRCUITS

LINCOLN COSMOPOLITAN 1949 WIRING

Series 9H. ALL BODY STYLES



1949 LINCOLN COSMOPOLITAN SCHEMATIC WIRING DIAGRAM
 HEAD LIGHTS, HI-BEAM INDICATOR, ROAD LIGHTS, REAR LIGHTS, LICENSE PLATE LIGHT,
 LUGGAGE COMPARTMENT LIGHT, PARKING LIGHTS, IGNITION SWITCH LIGHT, INSTRUMENT PANEL
 LIGHTS AND CONVERTIBLE DOME LIGHT CIRCUITS

FLAT RATE 1949 LINCOLN COSMOPOLITAN

Series 9H. ALL BODY STYLES

Chilton Job No.	Chilton Labor Price	Chilton Job No.	Chilton Labor Price	Chilton Job No.	Chilton Labor Price	Chilton Job No.	Chilton Labor Price	Chilton Job No.	Chilton Labor Price	Chilton Job No.	Chilton Labor Price	Chilton Job No.	Chilton Labor Price	Chilton Job No.	Chilton Labor Price
A		A—continued		A—continued		B—continued		C—continued		C—continued		E		E—continued	
1.....	2.75	7.....	2.00	20x.....	10.00	9.....		2.....	28.00	15.....	1.25	1.....	65.00	11.....	62.00
2.....	2.25	8.....	1.25			10.....		3.....	24.00			2.....	30.00	12.....	25.00
3.....	3.50	9.....	3.50			11.....	3.75	4.....	1.75			3.....	25.00	13.....	25.00
4.....	18.50	10.....				12.....	4.25	5.....	3.50			4.....	24.00	14.....	145.00
4a.....		11.....	3.00			13.....		6.....	2.00			5.....	145.00	15.....	138.00
4b.....	2.25	12.....	4.50	1.....	6.50	14.....	3.75	7.....	2.75	1.....	3.50	6.....	145.00	16.....	138.00
4c.....	7.00	13.....	1.50	1a.....	7.00	15.....	1.25	8.....	3.75	1a.....	2.75	7.....	145.00	17.....	15.00
5.....		14.....		2.....	30.00			9.....		2.....	2.00	7x.....	45.00	18.....	15.00
5a.....		15.....	.75	3.....	25.00			10.....		3.....	4.00	8.....		19.....	15.00
5b.....		16.....		4.....	2.00			11.....	3.75	4.....	12.00	9.....	86.00		
5c.....		17.....	1.50	5.....	3.50			12.....	4.25	5.....	45.00	9x.....	87.00		
5d.....		18.....	15.00	6.....	2.00			13.....		6.....	8.00	9y.....	87.00	1.....	8.50
6.....	25.00	19.....	7.50	7.....	2.00	1.....	8.50	14.....	3.75	7.....	3.00	1a.....	5.50	2.....	62.00
		20.....		8.....	3.25	1a.....	5.50							3.....	25.00
														4.....	1.75
														5.....	6.50
														6.....	2.00
														7.....	2.00
														8.....	4.50
														9.....	2.00
														10.....	
														11.....	
														12.....	
														13.....	
														14.....	15.00
														15.....	
														16.....	
														17.....	
														18.....	
														19.....	
														20.....	

STEERING GEOMETRY

CASTER: Zero degree to $\frac{1}{2}$ degree positive or negative.

CAMBER: Zero degree to $\frac{3}{4}$ degree negative.

TOE-IN: 3/32 to 5/32.

KING PIN INCLINATION: 5 degree.

ALL MODELS

CAMBER: Is controlled by eccentric bushing at upper suspension arm.

CASTER: Is adjusted by turning sleeve in the lower suspension arm. Turn towards the rear of the car to decrease caster, towards front to increase.

