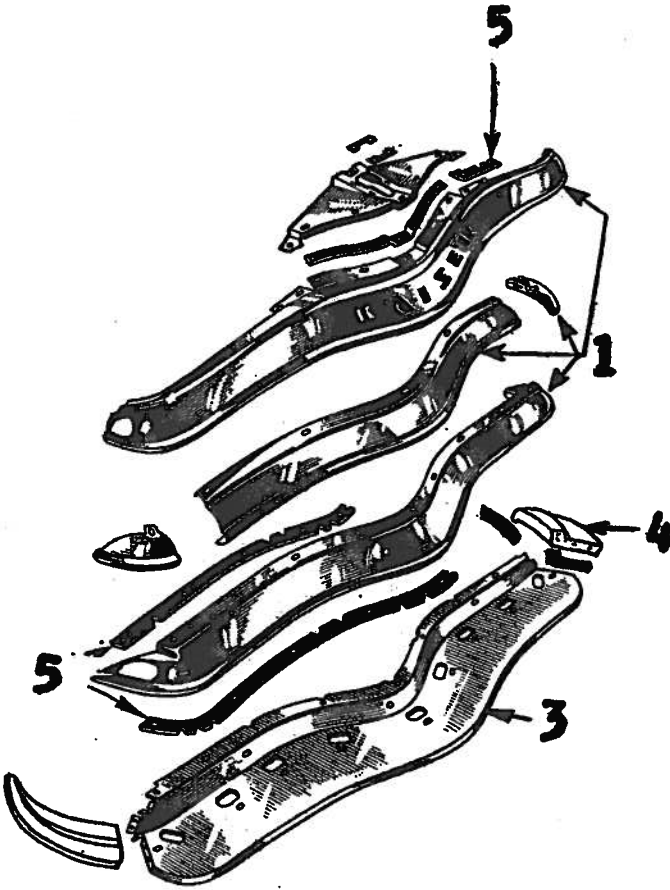


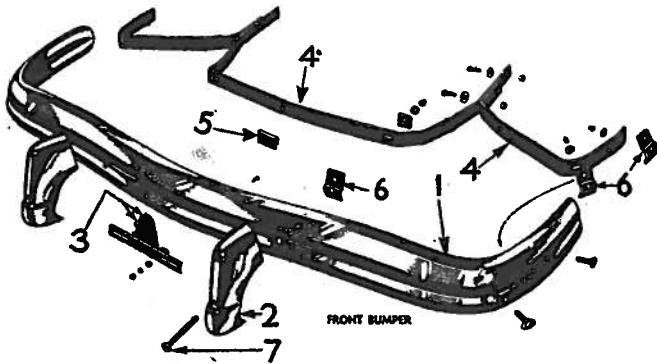
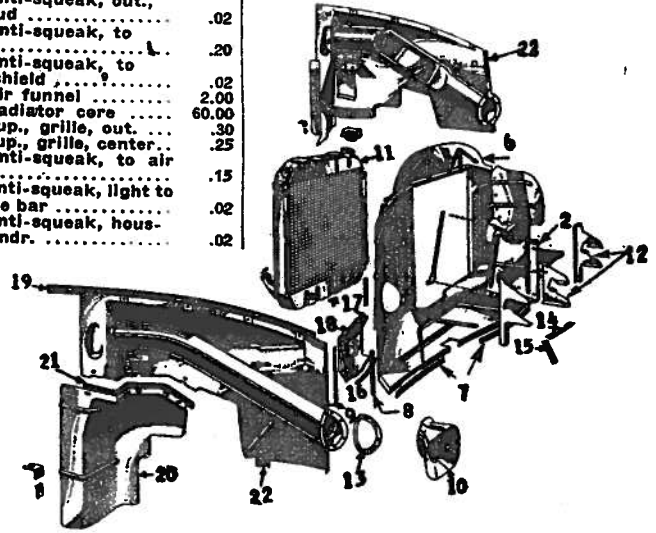
KAISER 1949 BODY PARTS

Models K491, K492. ALL BODY STYLES



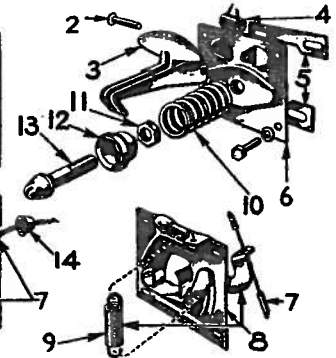
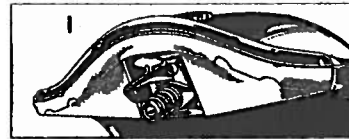
GRILLE & SHROUDS, LEFT SIDE

Item Part No.	Description	Price	Item Part No.	Description	Price
1	Grille, radiator.		16	205665—Anti-squeak, light baffle to fndr. & shroud...	.02
204400	Upper bar	9.50	17	205664—Seal, light baffle...	.10
204399	Center bar	6.50	18	205567—Baffle, light	.02
204397	End, center bar	1.00	19	201805—Anti-squeak, fndr. to splash shield	.05
2	204396—Lower bar	8.75	20	204680—Access. cover, right only, splash shield	3.10
3	205233—Panel, center	.50	21	204682—Anti-squeak, cover to shield	.03
4	204347—Panel exten.	6.00	22	204683—Splash shield, left.	10.00
5	Anti-squeak strip.	1.00	22	204679—Splash shield, right, w/access. cover	10.00
204416	Panel to fender	.15			
204395	To lower grille bar.	.05			
204394	To deflect. flange	.05			
6	204401—Shroud	12.50			
7	204388—Anti-squeak, in., to shroud	.02			
7	204387—Anti-squeak, out., to shroud	.02			
8	200626—Anti-squeak, to fndr.	.20			
9	201807—Anti-squeak, to splash shield	.02			
10	200613—Air funnel	2.00			
11	204360—Radiator core	60.00			
12	204382—Sup., grille, out.	.30			
13	204391—Sup., grille, center	.25			
13	202082—Anti-squeak, to air duct	.15			
14	205828—Anti-squeak, light to up. grille bar	.02			
15	205327—Anti-squeak, housing to fndr.	.02			



FRONT BUMPER

Item Part No.	Description	Price
1	204121—Bar	24.50
2	204144—Guard	4.25
3	204116—Bracket, ltc.	.70
4	204129—Sup., center	4.40
4	204253—Sup., out.	2.40
5	204130—Insulator	.10
6	204122—Plate, spacer	.25
7	205576—Bolt	.25

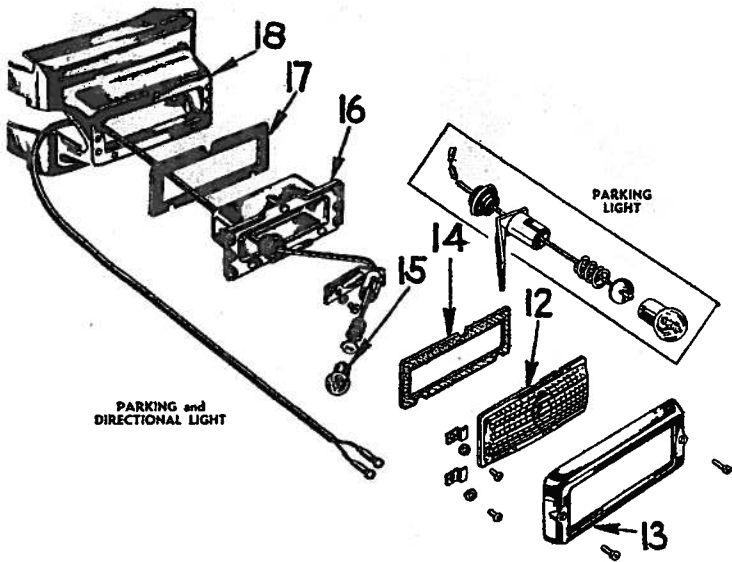
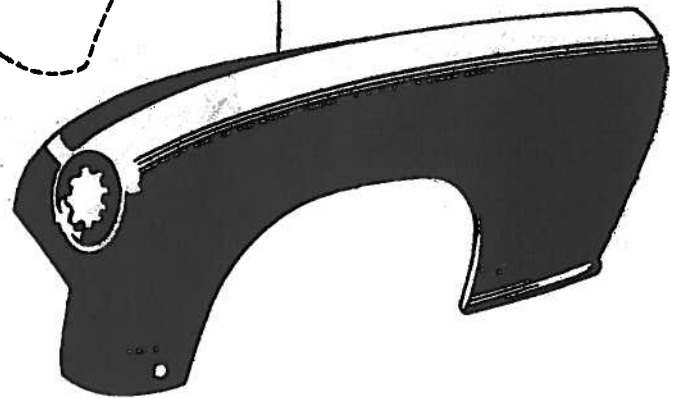
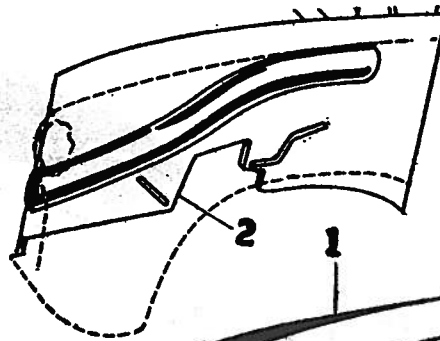
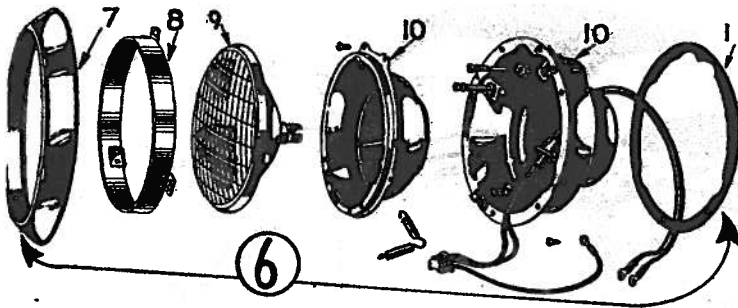


HOOD

Item Part No.	Description	Price	Item Part No.	Description	Price
1	204686—Hood	39.00	10	203294—Spring, release	.20
2	203300—Pin, catch	.02	11	632—Jam nut	.05
3	203296—Catch, safety	.35	12	203285—Ret., spring	.15
4	203299—Spring, catch	.02	13	203293—Bolt, plate	.40
5	203292—Anti-squeak	.01	14	204305—Grommet, dash	.04
6	203291—Plate & nut	.50	15	290—Nut	.02
7	204691—Control, lock	1.90	16	202053—Bracket, control	.20
8	203296—Plate, latch	.65		204687—Hood medaillon	1.30
9	203297—Spring, latch	.05			

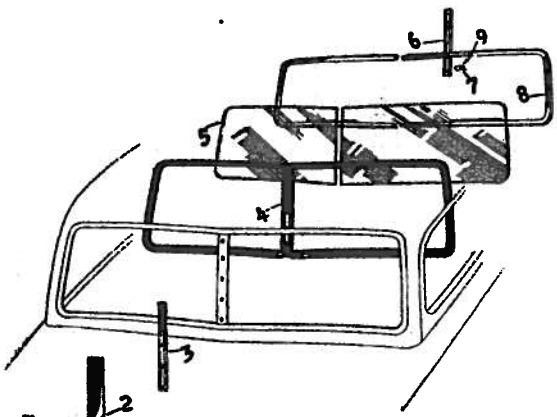
BODY PARTS 1949 KAISER

Models K491, K492. ALL BODY STYLES



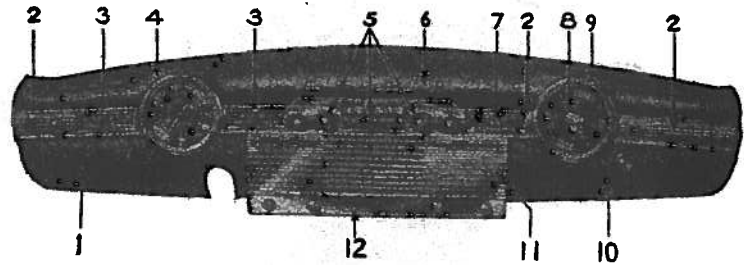
FRONT FENDER, LEFT SIDE

Item Part No.	Description	Price	Item Part No.	Description	Price
1	204661—Fender	35.00	12	204575—Lens, signal light	.40
	204678—Brace	.20	13	204576—Bezel, lens	1.35
2	204683—Splash shield, left	10.00	14	204576—Gasket	.20
2	204679—Splash shield, right, w/access. cover	10.00	15	201600—Bulb, K491	.10
	204685—Dust pan, sgle. man., K491	1.40	15	204579—Bulb, K492	.29
	203389—Dust pan	1.00	16	204565—Light, K491 (not serviced alone)	4.25
	200985—Pan bracket	.05	16	204566—Light, K492 (not serviced alone)	4.35
6	204537—Headlight, complete	9.00	17	204567—Pad, light	.10
7	200807—Door, headlight	1.60	18	204569—Housing	3.85
8	200812—Ring	1.80		204680—Access. cover, right only, splash shield	3.10
9	200810—Sealed beam unit	1.35		204682—Anti-squeak, cover to shield	.03
10	200811—Seat, unit	1.85			
10	Seat body (not serviced alone)				
11	200806—Gasket, H.L.	.10			



WINDSHIELD

Item Part No.	Description	Price
1	200683—Division bar, out., K491	1.10
1	205563—Division bar, out., K492	1.10
2	200685—Weatherseal	.25
3	200684—Retainer, bar	.70
4	205073—Weatherstrip, W/s, K491	
4	202022—Weatherstrip, W/s, K492	
5	200648—Glass, W/s	5.75
6	200682—Division bar, in., (prime)	1.90



Item Part No.	Description	Price
6	202558—Division bar, in., (chrome)	2.20
7	Clip, molding	
	200681—Up., 1 3/32" (prime)	.30
	205081—Up., 4/4", (prime)	.35
	200681—Low., 1 3/32" (prime)	.30
	205080—Low., 4/4", (prime)	.35
	202557—Up., low., 1 3/32", (chrome) K492	.40
	205078—Up., 4/4", (chrome), K492	.40
	205079—Low., 4/4", (chrome), K492	.40
8	Garnish molding, windshield	
	206122—Prime	1.70
	205082—Chrome, for 1 3/32" clip, K492	5.15
	204219—Chrome, for 4/4" clip, K492	4.95
9	533—Screw	.04

INSTRUMENT PANEL

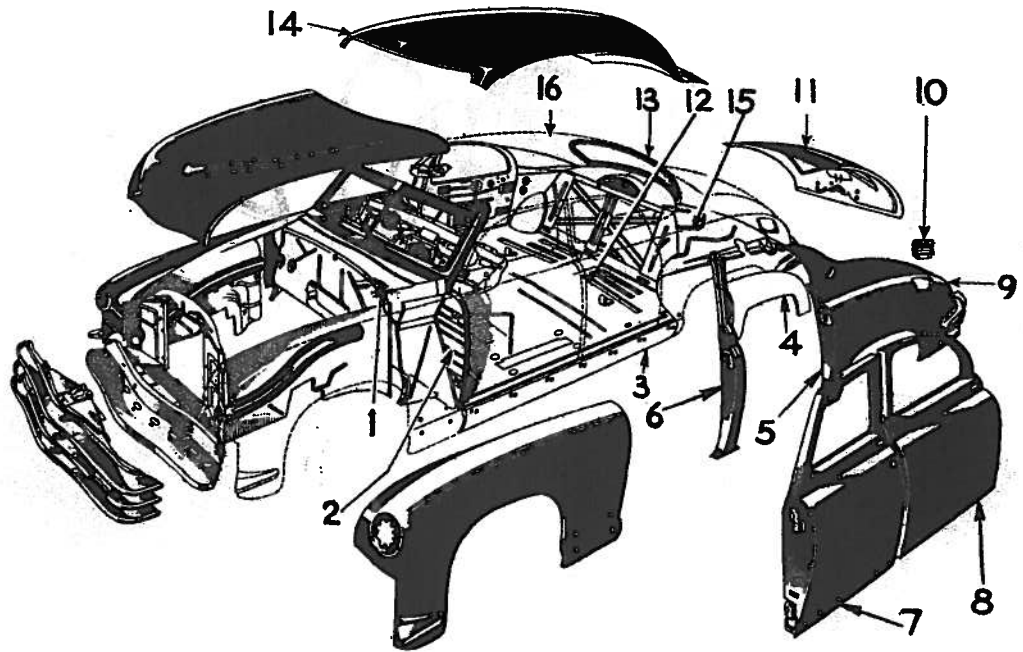
Item Part No.	Description	Price
1	204934—Instrument board	24.50
2	Moldings, instrument panel	1.25
	204852—End	4.60
	203652—Center	1.50
3	203493—Bezel panels, & lens	1.40
4	203654—Bezel panel, inst.	87.50
5	200002—Radio panel & assy.	.75
6	203643—Name plate panel	1.85
7	205408—Ash receiv. panel	3.00
8	203507—Medallion	1.49
9	203653—Bezel panel, inst.	2.55
10	204949—Door, glove compt.	6.85
11	203647—Grille panel, radio	3.20
12	204994—Panel, ctrl. board	

KAISER 1949 BODY PARTS

Models K491, K492. ALL BODY STYLES

CAR BODY SHEET METAL 4 DOOR SEDANS

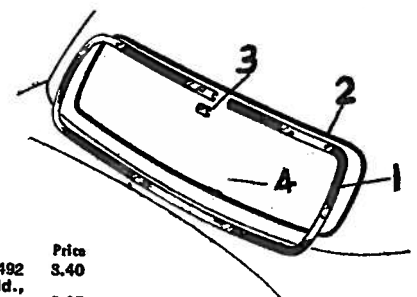
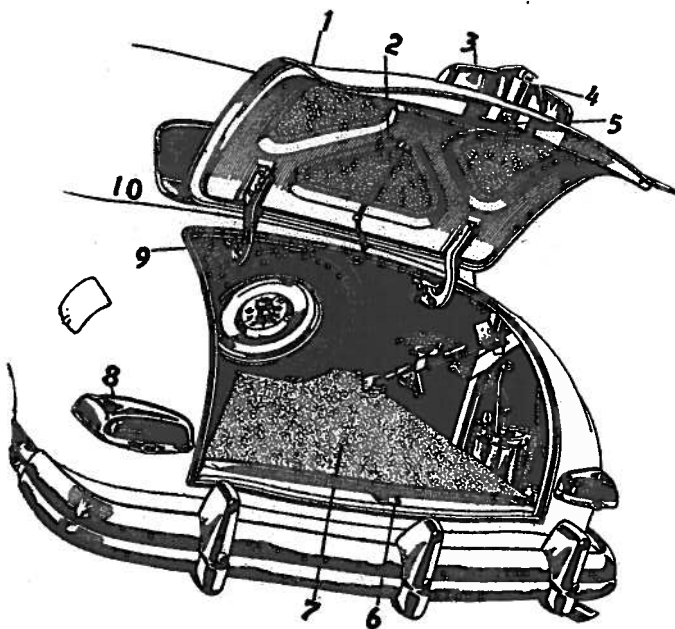
Item Part No.	Description	Price
1	Cowl, body front end.	
205583	K491, 492 except Virginian	80.00
2	202577—Pillar, frt. hinge, except Virginian	8.65
2	206160—Pillar, frt. hinge, 492-Virginian	9.75
3	205232—Rocker panel	3.60
4	204340—Panel, whhse. rr. out.	8.85
4	204320—Panel, whhse. rr., in.	7.50
5	Facin, rear door lock pillar.	
202910	K491, 492 except Virginian	2.25
6	Pillar, center hinge.	
200577	K491, 492 except Virginian	12.85
7	Door, front.	
204880	3 pc., K491, 492 exc. Virginian	54.00
204878	1 pc., K491, 492 exc. Virginian	57.30
204882	K492-Virginian	60.00
8	Door, rear.	
204918	3 pc., K491, 492 exc. Virginian	54.00
204920	1 pc., K491, 492 exc. Virginian	57.30
204922	K492-Virginian	60.00
9	Panel, rear quarter.	
205138	K491, 492 exc. Virginian	21.00
206187	K492-Virginian	21.00
10	208005—Cover, fuel tank	.75
11	Deck lid.	
204588	K491, 492 exc. Virginian	37.80
204589	K492-Virginian	37.80
12	Panel, rear floor.	
204325	K491, 492 exc. Virginian	22.50
	K492-Virginian	



Item Part No.	Description	Price	Item Part No.	Description	Price	Item Part No.	Description	Price
13	Frame, rear window.		15	204324—Panel, low. deck	2.25	204173	W/O drs. & dk., K491	445.00
204259	K491, 492 exc. Virginian	2.65	16	Body shell assembly.		204175	W/O drs. & dk., K492 exc. Virginian	445.00
205668	K492-Virginian	31.25	204182	W/drs. & dk., K491	615.00	204178	W/O drs. & dk., K492-Virginian	Price on Application
14	Panel, Roof.		204184	W/drs. & dk., K492	615.00			
200582	K491, 492 exc. Virginian	38.00	204167	W/drs. & dk., K492	Price on Application			
	K492-Virginian							

REAR DECK LID

Item Part No.	Description	Price	Item Part No.	Description	Price
4 DOOR SEDANS			4 DOOR CONVERTIBLE & VIRGINIAN		
1	204588—Lid, deck	37.80	1	204588—Lid, deck	37.80
2	204510—Cable assy.	.75	2	204510—Cable assy.	.75
3	204508—Light, lic. assy.	8.95	3	204508—Light, lic. assy.	8.95
4	204514—Handle, deck lid	2.80	4	204514—Handle, deck lid	2.80
5	204517—Latch, deck lid	.30	5	204517—Latch, deck lid	.30
6	204518—Bracket, lid latch	.15	6	204518—Bracket, lid latch	.15
7	205263—Mat, rear compt., K492	2.75	7	205263—Mat, rear compt., Virginian	2.75
8	204585—Light, tail	7.50	7	205264—Carpet, rear compt., Virginian	2.75
8	202056—W/strip, up.	3.00	7	206097—Carpet, rear compt., convertible	8.75
9	202057—W/strip, low.	1.60	8	204585—Light, tail	7.50
10	202303—Hinge, deck lid	8.35	9	202056—W/strip, up.	3.00
			9	202057—W/strip, low.	1.60
			10	204593—Hinge, deck lid	2.15



REAR WINDOW 4-DOOR SEDANS

Item Part No.	Description	Price
1	202025—Molding, finish, K492	3.40
2	205569—Weatherstrip, mold., K492	2.65
3	204227—Cill, molding joint, K492	.10
200651	Weatherstrip, glass, all	3.60
4	200650—Glass, all	14.50

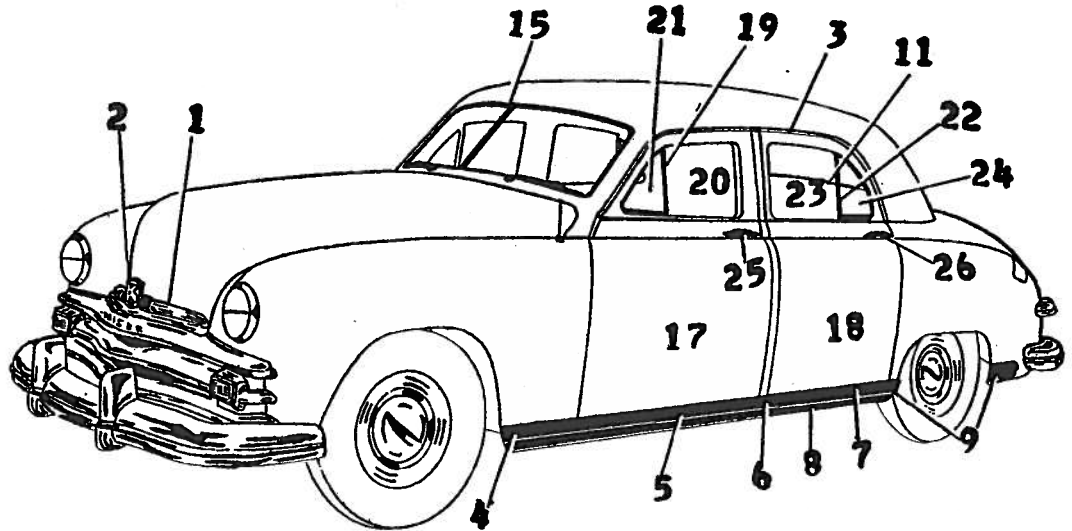
BODY PARTS 1949 KAISER

Models K491, K492. ALL BODY STYLES

CAR BODY CHROME & TRIM MOLDINGS

4 DOOR SEDANS

Item Part No.	Description	Price
1	204690—Mold., hood	5.30
2	204687—Medallion, hood	1.30
3	202330—Drip mold.	1.20
4	205105—Mold., frt. fndr., K492	1.60
5	205099—Mold., frt. dr., low., K492	2.95
6	205106—Mold., ctr. pillar, low., K492	.65
7	205100—Mold., rear dr., low., K492	2.50
8	205090—Mold., rock. pnl., 2 3/4", K492	6.50
8	204812—Mold., rock. pnl., 1 3/4", K491	3.90
9	Molding, rear quarter panel, low.	
	205110—Front, K492	.75
	205108—Rear, K492	2.30
10	Moldings, rear belt.	
	205092—Out., K492-Virginian	3.25
	202598—Con., K492-Virginian	.25
11	Molding, rear window finish.	
	202025—K492 exc. Virginian	3.40
	204227—Joint, K492 exc. Virginian	.10
	205617—Up., w/ret., K492-Virginian	6.35
	206525—Up., w/o ret., K492-Virginian	6.35
	205618—Low., K492-Virginian	5.50
	205098—Div. bar, K492-Virginian	3.35
	205095—Mold. cap, K492-Virginian	.25
12	204822—Mold., ft. dr. belt, K492-Virginian	4.00

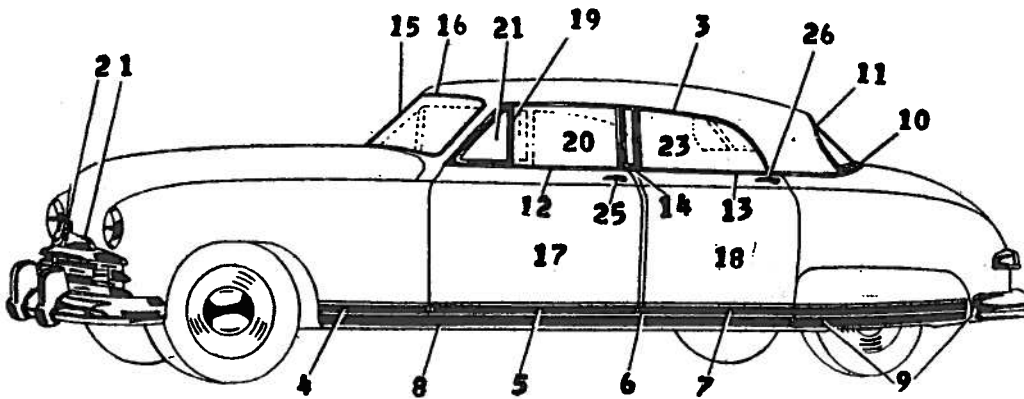


Kaiser

Item Part No.	Description	Price
13	204824—Mold., rr. dr. belt, K492-Virginian	4.00
14	205116—Mold., ctr. pillar belt, K492-Virginian	.50
15	202028—W/S mold., out., K492	2.85

Item Part No.	Description	Price
15	200683—W/S div. bar, K491	1.00
15	205563—W/S div. bar, K492	1.00
16	205093—Mold., roof frt., K492-Virginian	2.15
17	204880—Front door (3 pc.), exc. Virginian	54.00

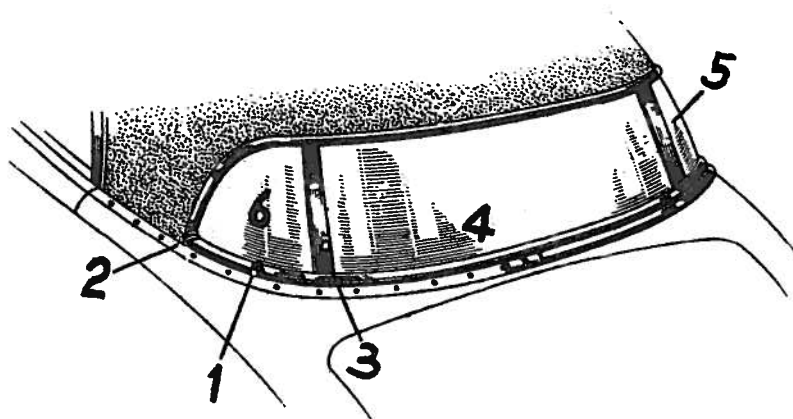
Item Part No.	Description	Price
17	204878—Front door (1 pc.), exc. Virginian	57.30
17	204882—Front door, K492-Virginian	60.00
18	204918—Rear door (3 pc.), exc. Virginian	54.00
18	204920—Rear door (1 pc.), exc. Virginian	57.30
18	204922—Rear door, K492-Virginian	60.00
19	203005—Div. bar, frt. dr. vent. exc. Virginian	3.00
19	206307—Div. bar, frt. dr. vent., K492-Virginian	2.25
20	200642—Glass, frt. dr., exc. Virginian	
20	204697—Glass, frt. dr., K492-Virginian	
21	200750—Glass, frt. dr. vent., exc. Virginian	
21	206300—Glass, frt. dr. vent., K492-Virginian	
22	203008—Div. bar, rear. dr. vent., exc. Virginian	2.75
23	200645—Glass, rear dr., exc. Virginian	
23	204698—Glass, rear dr., K492-Virginian	
23	200770—Glass, rear dr. vent., exc. Virginian	
25	204196—Handle, frt. dr.	3.00
26	204198—Handle, rear dr.	3.00



Kaiser Virginian

REAR WINDOW 4-DOOR VIRGINIAN

Item Part No.	Description	Price
1	Molding, rear window finish	
	205617—Upper, w/retain.	6.35
	206325—Upper, w/o retain.	6.35
	205618—Lower	5.50
	205613—Weatherstrip (1 pc.)	5.25
	205169—Weatherstrip, end, bottom	.10
2	205095—Cap, molding	.25
3	205098—Division bar	3.35
4	206396—Glass, center	20.00
5	206397—Glass, right	6.65
6	206398—Glass, left	6.65

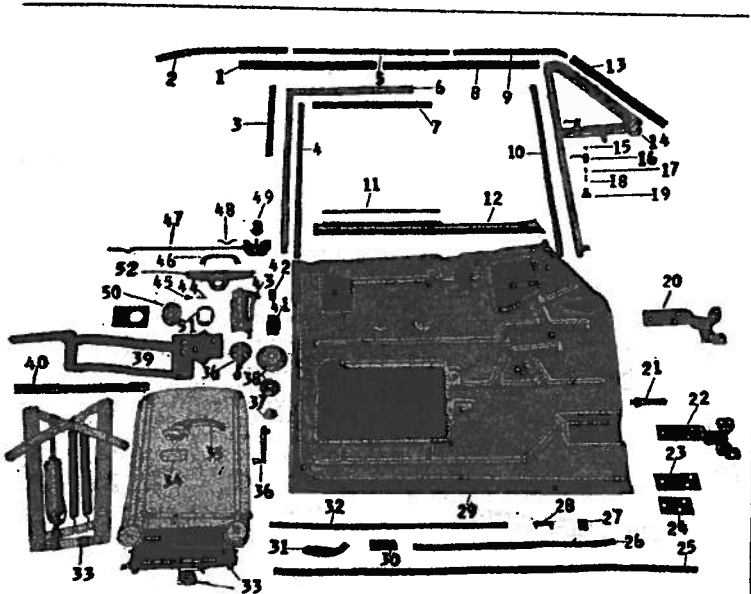
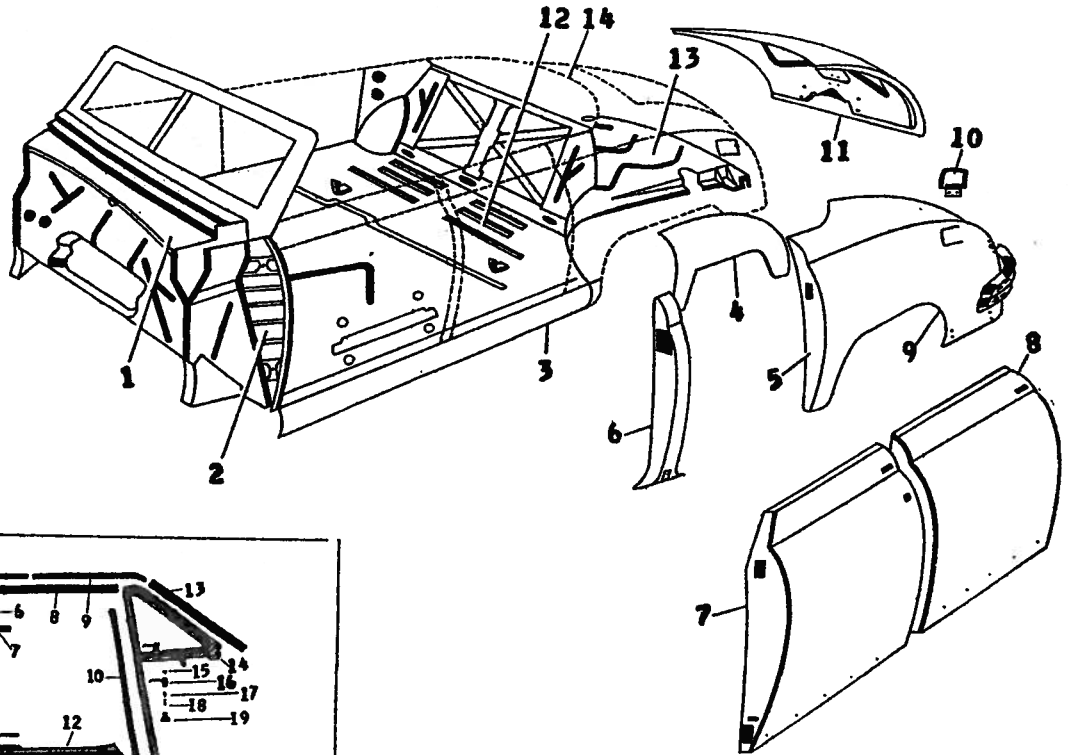


KAISER 1949 BODY PARTS

Models K491, K492. ALL BODY STYLES

CAR BODY SHEET METAL, 4 DOOR CONVERTIBLES

Item Part No.	Description	Price
1	Cowl, body front end.	
2	205121—Pillar, frt. hinge	10.50
3	205232—Rocker panel	3.60
4	204340—Panel, whitse. rear, out.	8.85
4	204320—Panel, whitse. rear, in.	7.50
5	204330—Facing, rear dr. lock pillar	
6	208162—Pillar, center hinge	
7	204882—Front dr.	60.00
8	204922—Rear dr.	60.00
9	208167—Panel, rear quar.	21.00
10	206005—Cover, fuel tank	37.75
11	204589—Deck lid	37.60
12	203197—Pan, rear floor	22.50
13	204324—Panel, low. deck	2.25
14	204166—Body shell, w/drs. & dk.	
14	204177—Body shell, w/o drs. & dk.	



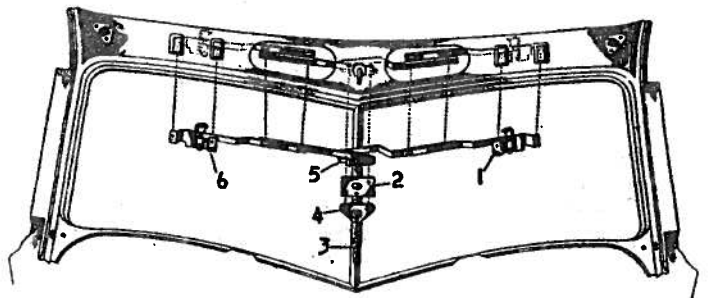
FRONT DOOR HARDWARE, 4 DOOR CONVERTIBLE & VIRGINIAN

Item Part No.	Description	Price
1	205983—W/strip, rear, roof side rail, Virgn.	2.45
1	205982—W/strip, rear, roof side rail, conv.	2.00
2	205985—Ret., roof w/strip, Virgn.	.95
2	205982—Ret., roof w/strip, conv.	1.80
3	204701—W/seal, ctr. pillar glass	1.45
4	205531—Channel, rear window run	.50
5	205986—Ret., roof w/strip, front	1.35
6	205529—Frame, dr. window, complete	9.00
7	205530—Channel, top window run	.40
8	205981—W/strip, ctr., roof side rail	2.25
9	205988—Ret., w/strip, cowl up. pillar	1.25
10	206156—Channel, frt. window run	.55
11	204712—W/strip, dr. glass	.50
12	204873—Mold., dr. garnish (chrome)	4.00

Item Part No.	Description	Price
13	205973—W/strip, cowl up. pillar, conv.	.55
14	205543—Ventilator, complete	38.50
15	204722—Button, vent. handle	.15
16	204720—Handle, ventilator	.55
17	200762—Key, vent. handle	.15
18	200764—Spring, vent. handle	.80
19	204723—Shaft, vent. handle	.40
20	204903—Hinge, dr., up.	2.25
21	204908—Arm, dr. check	.45
22	204907—Hinge, dr., low.	1.65
23	202903—Anti-squeak, hinge, up. arm	.02
24	202904—Anti-squeak, hinge to door	.02
25	205448—W/strip, hinge pillar, low.	.30
26	203972—W/strip, dr., low.	.60
27	205759—Wedge, bumper, complete	1.00
28	202403—W/strip, low. hinge filler	.15
29	204882—Door	60.00
30	205922—W/seal, lock facing; up. corner	.55

LOCKING MECHANISM CONVERTIBLE FOLDING TOP 4 DOOR CONVERTIBLE

Item Part No.	Description	Price	Item Part No.	Description	Price
1	205960—Cam, top locking, right	2.15	4	205997—Escutcheon, locking handle	.70
2	205996—Plate, handle escutcheon anchor	.40	5	205995—Rocker, top locking	2.15
3	205998—Handle, top locking	1.00	6	205959—Cam, top locking, left	2.15
31	205087—W/strip, hinge pillar, up.	.30	43	204190—Lock, door	3.50
32	205089—W/strip, lock pillar	.30	44	204888—Rod, lock locking	.02
33	206008—Lift, vacuum, window, Virgn.	19.00	45	204891—Button, locking rod	.20
33	204068—Lift, hyd., window, conv.	16.00	46	204903—Handle, push button assist.	1.15
34	204910—Gasket, dr. handle	.02	47	204880—Rod, remote control	1.43
35	204196—Handle, door	3.00	48	204865—Spring, push button, ctrl.	.04
36	204727—Handle, regitr.	1.25	49	204897—Button, rem. ctrl. rod push	.50
37	200658—Spring, reg. handle	.02	50	206011—Ctrl., dbl. vacuum, Virgn.	3.50
38	204730—Escutcheon, handle	.40	51	205889—Ret., ctrl., dbl. vac., Virgn.	.35
39	204725—Regitr., glass	3.25	52	204900—Escutcheon, rem. ctrl. button	1.60
40	204077—Ret., lift, conv.	1.00			
41	200579—Plate, lock striker	1.00			
42	205760—Bumper, door	.15			



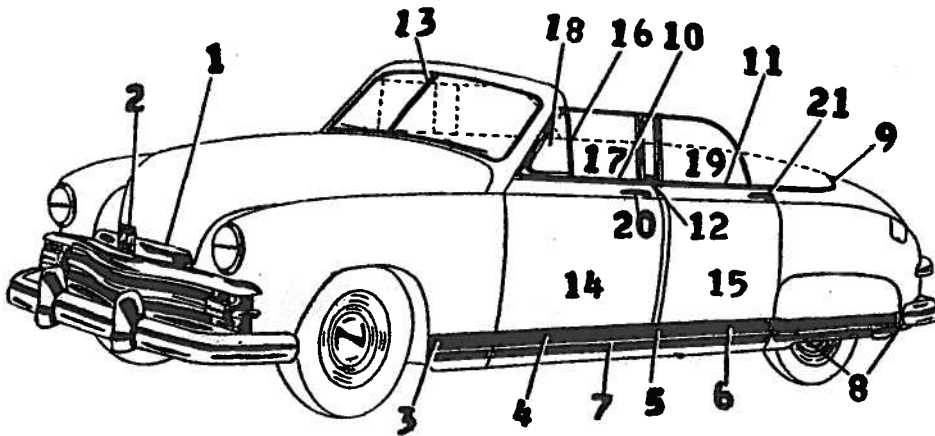
BODY PARTS 1949 KAISER

Models K491, K492. ALL BODY STYLES

CAR BODY CHROME & TRIM MOLDING

4 DOOR CONVERTIBLES

Item	Part No.	Description	Price
1	204690	Mold., hood	5.30
2	204687	Medallion, hood	1.30
3	205105	Mold., frt. fndr., low.	1.60
4	205099	Mold., frt. dr., low.	2.95
5	205106	Mold., ctr. pillar, low.	.85
6	205100	Mold., rear dr., low.	2.50
7	205090	Mold., rock. pnl., 2 3/4"	6.50
8	205110	Molding, rear quarter panel, low.	.75
	205108	Front	2.30
	205106	Rear	3.25
9	205092	Mold., rear belt, out.	.25
10	204822	Mold., frt. dr. belt.	.60
11	204824	Mold., rear dr. belt.	4.00
12	205116	Mold., ctr. pillar belt	.30
13	205028	W/S mold., out.	2.85
13	205363	W/S mold., out.	1.00
14	204882	Front door	60.00
15	204922	Rear door	60.00
16	206507	Div. bar, frt. dr. vent.	2.25
17	204697	Glass, front door	...
18	206500	Glass, frt. door vent.	...
19	204698	Glass, rear door	...
20	204196	Handle, frt. door	3.00
21	204196	Handle, rear door	3.00



HYDRAULIC OPERATING UNIT, FOLDING TOP

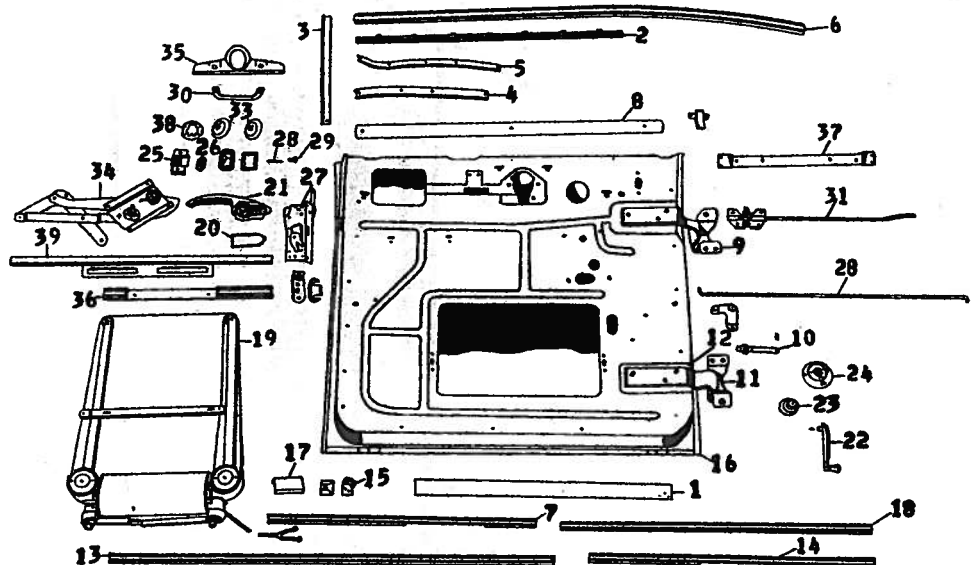
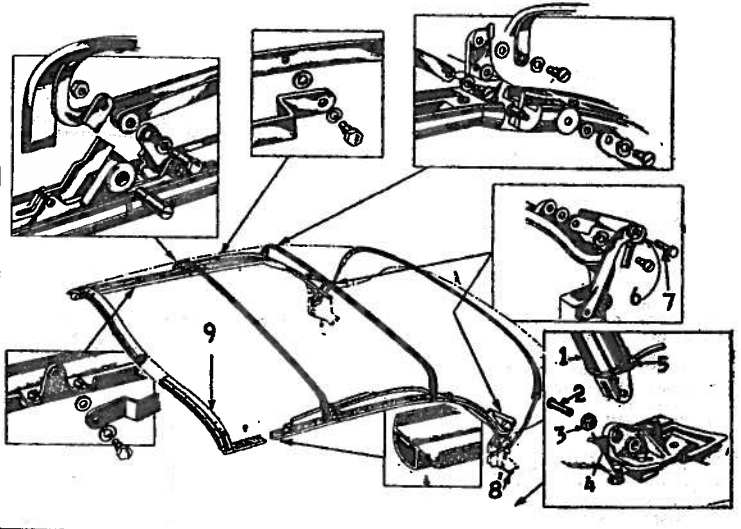
4 DOOR CONVERTIBLE

Item	Part No.	Description	Price
1	204065	Cylinder, hyd.	9.50
2	205945	Pin, clevis	.05
3	205946	Bushing, cyl. mntg.	.04
4	205947	Support, cyl.	1.00
5	202880	Connector, tube	.10
6	204066	Yoke, cyl. top	.85
7	206059	Bolt, frame to power link	.35
8	205391	Hinge, female, rear.	.01
9	205990	Frame, complete top	...

REAR DOOR HARDWARE

4 DOOR CONVERTIBLE & VIRGINIAN

Item	Part No.	Description	Price
1	205983	W/strip, rear, roof side rail, Virgn.	2.45
1	205982	W/strip, rear, roof side rail, conv.	2.00
2	205985	Ret., roof w/strip, rear, Virgn.	.95
2	205962	Ret., roof w/strip, rear, conv.	1.80
3	204702	W/seal, ctr. pillar glass, rear	1.45
4	204736	Channel, window run	.75
5	204740	Frame, dr. glass	8.90
6	206684	Run, glass channel, long	1.10
6	206140	Run, glass channel, short	.55
7	204742	W/strip, dr. glass	.70
8	204916	Mold., garnish	5.00
9	204927	Hinge, up.	1.65
10	204908	Arm, dr. check	.45
11	204929	Hinge, low.	1.85
12	202904	Anti-squeak, hinge to dr.	.02
13	204923	W/strip, hinge pillar, low.	.40
14	203978	W/strip, dr., low.	.45
15	205739	Wedge, dr. bumper	1.00
16	204922	Door	60.00
17	205522	W/seal, frt., up. corner	.55
18	205069	W/strip, dr. lock pillar	.30
19	206013	Lift, vac., window, Virgn.	19.00
19	204068	Lift, hyd., window, conv.	16.00
20	204910	Gasket, dr. handle	.02
21	204196	Handle, dr.	3.00
22	204727	Handle, regltr.	3.00
23	202658	Spring, handle	.12
24	204730	Escutcheon, handle	.40
25	200579	Plate, striker	1.00
26	205760	Bumper, dr.	.15
27	204202	Lock, dr.	3.00
28	204204	Rod, crank to locking rod	...
28	204888	Rod, lock locking	.02
29	204891	Button, locking rod	.20
30	204903	Handle, push button assist	1.45
31	204862	Rod, remote control	1.45
32	204865	Spring, push button, ctrl.	.04
33	204863	Button, rem. ctrl. rod push	.35
34	204748	Regitr., complete	3.25
35	204900	Escutcheon, rem. ctrl. push button	1.60
36	204077	Ret., window lift.	1.00
37	206016	Sup., vac. lift, window	.30
38	205889	Ret., ctrl., dbl. vac., Virgn.	.35
39	205541	Channel, glass, low., Virgn.	1.00
39	204085	Channel, glass, low., conv.	1.00

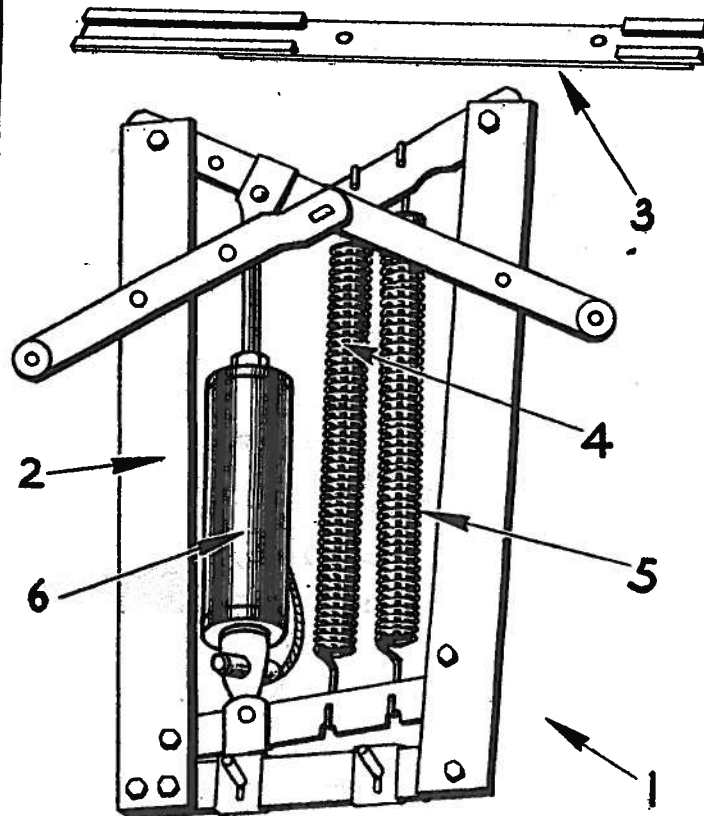
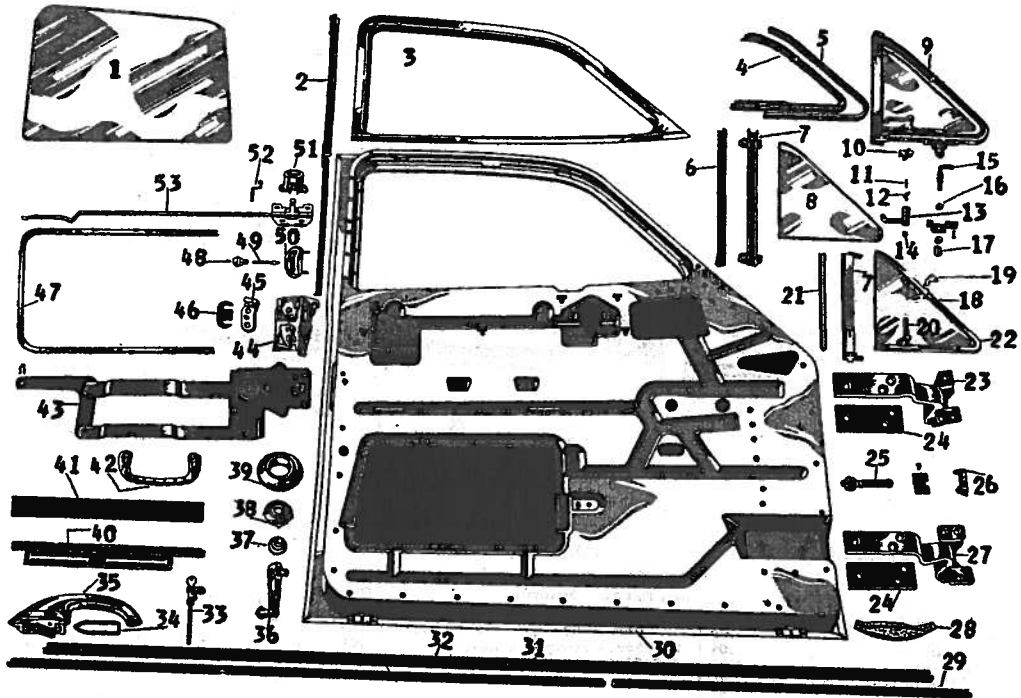


KAISER 1949 BODY PARTS

Models K491, K492. ALL BODY STYLES

1 PC. FRONT DOOR, HARDWARE, 4 DOOR SEDANS

Item	Part No.	Description	Price
1	200642	Glass
2	204709	Run, glass channel	.55
3	204186	Mold., garnish (gray)	6.00
4	200757	W/strip, vent. frame	1.00
5	204210	Retainer, w/strip	.35
6	202285	W/strip, div. bar	.40
7	203005	Bar, div.	3.00
8	200750	Glass, vent.
9	202533	Ventilator, complete	16.00
	23002	To, K491-7115, 492-492-23002
	204714	After, K491-7115, 492-23002	16.00
10	204723	Shaft, vent. handle	.40
11	200764	Spring, vent. handle	.01
12	200762	Key, vent. handle	.15
13	200759	Handle, ventilator
	23002	To, K491-7115, 492-23002	.55
	204720	After, K491-7115, 492-23002	.55
14	200763	Button, push, vent. handle
	23002	To, K491-7115, 492-23002	.15
	204722	After, K491-7115, 492-23002	.15
15	204480	Pivot, low. vent.	.35
16	200755	Stop, low. pivot	.05
17	200752	Spring, low. pivot	.10
18	203015	Bracket, up. hinge, vent.	.02
19	205479	Hinge, up. vent.	.15
20	204213	Handle, complete, ventilator
	23002	To, K491-7115, 492-23002	1.25
	204718	After, K491-7115, 492-23002	1.25
21	200771	Seal, vent. frame	.20
22	200749	Frame & glass, ventilator
	23002	To, K491-7115, 492-23002	8.00
	204716	After, K491-7115, 492-23002	8.00
23	204905	Hinge, dr., up.	2.25
24	202903	Anti-squeak, dr. hinge	.02
25	204908	Arm, door check	.45
26	202403	W/strip, low. hinge filler	.15
27	204907	Hinge, dr., low.	1.65
28	202400	W/strip, hinge pillar, up.	.25
29	205448	W/strip, hinge pillar, low.	2.00
30	204878	Door	57.80
31	203972	W/strip, door, low.	.60
32	205482	W/strip, dr., up. & lock pillar	.90
33	203880	Lock cyl. & key	1.40
34	204910	Gasket, handle	.02
35	204186	Handle, door	3.00
36	204728	Handle, reg., K491 (chrome)	1.10
37	204727	Handle, reg., K492 (chrome)	1.25
38	200658	Spring, handle	.02
39	204730	Escutcheon, handle	.40
40	204864	Escutcheon, push button, K491	.60
41	204900	Escutcheon, push button, K492	1.60
42	204707	Channel, glass, low.	.60
43	204708	Seal, glass	.20
44	204902	Handle, remote ctrl. asslet, K491	1.15
45	204903	Handle, push button escutcheon	1.15
46	204725	Regitr., glass, com.	3.25
47	204190	Lock, door	3.50
48	200579	Plate, striker	1.00
49	202251	Shim, plate	.04
50	205321	W/strip, door glass	1.40
51	204890	Button, lock rod, K491	.15
52	204891	Button, lock rod, K492	.20
53	204888	Rod, lock locking	.02
54	204893	Escutcheon, lock locking rod, K491	.45
55	206638	Escutcheon, lock locking rod, K492	.50
56	204863	Button, rem. ctrl. rod push	.35
57	204865	Spring, push button	.04
58	204860	Rod, remote control	1.45



HYDRAULIC WINDOW LIFT, FRONT & REAR DOORS 4 DOOR CONVERTIBLE

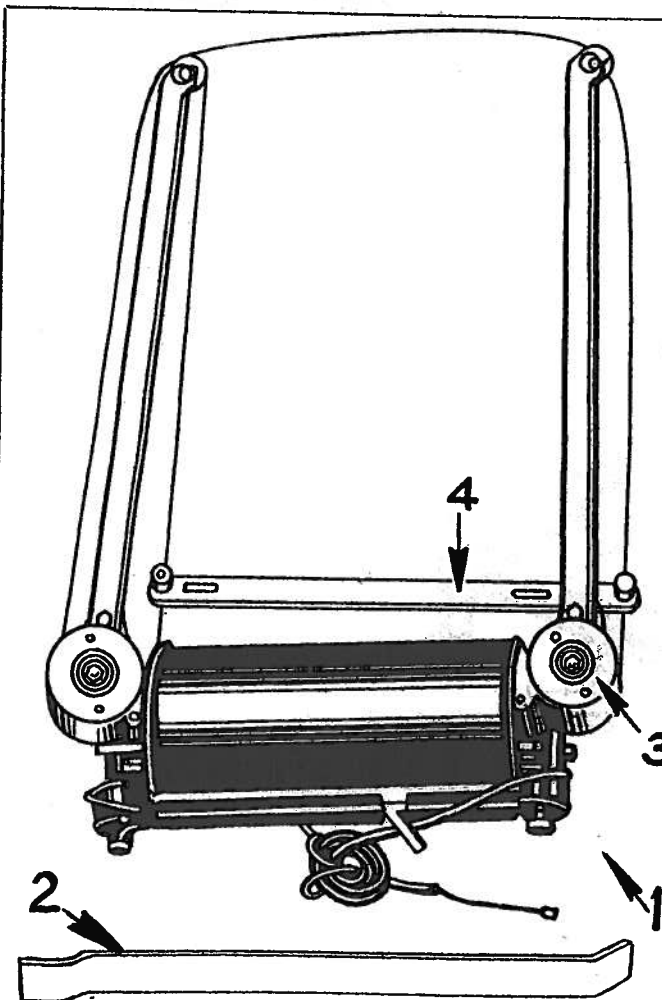
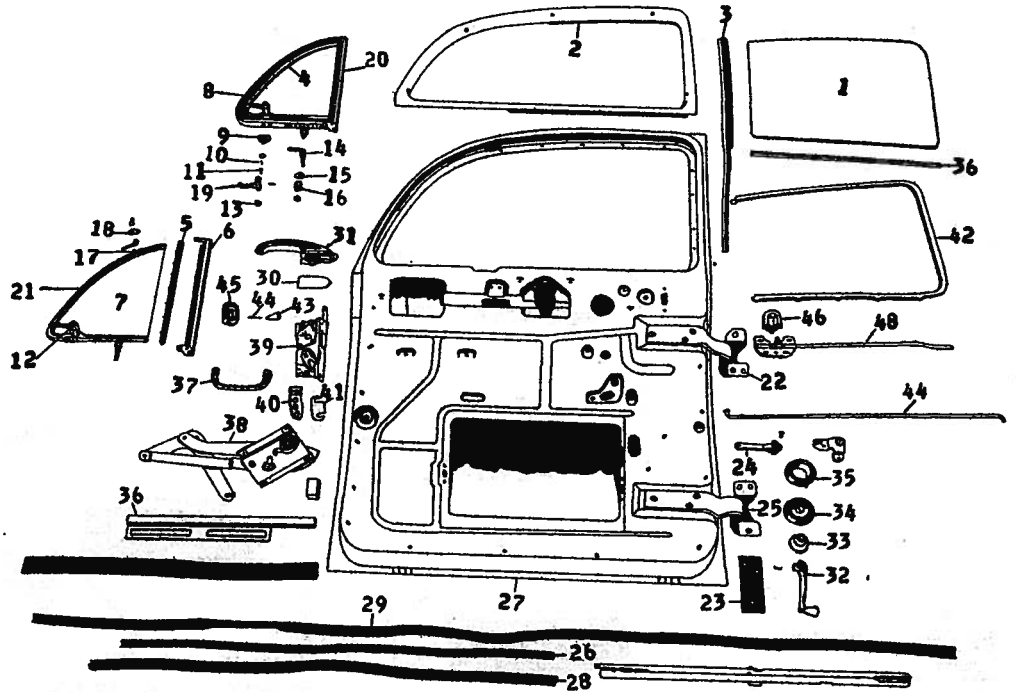
Item	Part No.	Description	Price
1	204068	Lift assy.	18.00
2	204070	Frame, lift	6.00
3	204077	Retainer, lift	1.00
4	204072	Spring, in. (yellow)	.35
5	204073	Spring, out. (green)	.35
	205889	Switch, single	1.75
	205888	Switch, double	3.50
6	204071	Cyl., hyd.	8.00

BODY PARTS 1949 KAISER

Models K491, K492. ALL BODY STYLES

1 PC. REAR DOOR HARDWARE, 4 DOOR SEDANS

Item	Part No.	Description	Price
1	200645	Glass	.00
2	204198	Mold., garnish (gray)	5.00
3	205633	Run, dr. glass chnl.	.65
4	200777	W/strip, vent. frame	1.00
5	202287	W/strip, div. bar	.40
6	203008	Bar, vent. div.	2.75
7	200770	Glass, ventilator	.00
8	202342	Ventilator, complete. To, K491-7115, 492-23002	15.75
9	204744	After, K491-7115, 492-23002	15.75
9	204723	Shaft, vent. handle	.40
10	200764	Spring, vent. handle	.01
11	200762	Key, vent. handle	.15
12	204213	Handle, ventilator, complete. To, K491-7115, 492-23002	1.25
13	204718	After, K491-7115, 492-23002	1.25
13	200763	Button, ventilator handle. To, K491-7115, 492-23002	.15
14	204722	After, K491-7114, 492-23002	.15
14	204217	Pivot, ventilator, low.	.85
15	200775	Stop, low. pivot	.10
16	200752	Spring, low. pivot	.10
17	200773	Plate, up. pivot	.05
18	204216	Pivot, vent., up.	.25
19	200759	Handle, ventilator. To, K491-7115, 492-23002	.55
20	204720	After, K491-7115, 492-23002	.55
20	200771	Seal, vent. frame	.20
21	200768	Frame & glass, ventilator. To, K491-7115, 492-23002	8.00
22	204927	Hinge, up.	1.65
23	202904	Anti-squeak, hinge	.02
24	204908	Arm, dr. check	.45
25	204928	Hinge, low.	1.65
26	205431	W/strip, low. hinge pillar	.40
27	204920	Door	57.80
28	203978	W/strip, dr., low.	.45
29	205492	W/strip, dr., up. & lock pillar	.90
30	204910	Gasket, handle	.02
31	204196	Handle, dr.	3.00
32	204726	Handle, reg., K491	1.10
32	204727	Handle, reg., K492	1.25
33	202858	Spring, reg. handle	.12
34	204730	Escutcheon, handle	.40
35	204864	Escutcheon, rem. ctrl. button, K491	.04
35	204900	Escutcheon, rem. ctrl. button, K492	1.60
36	204735	Channel, low.	.60
37	204902	Handle, dr. lock rem. ctrl. assist, K491	1.15
37	204903	Handle, push button escutcheon, K492	3.25
38	204748	Regltr., complete	3.00
39	204202	Lock, door	1.00
40	200579	Plate, striker	.04
41	202251	Shim, plate	1.40
42	205323	W/strip, dr. glass	.15
43	204890	Button, locking rod, K491	.20
43	204891	Button, locking rod, K492	.02
44	204204	Rod, crank to locking rod	.45
44	204888	Rod, lock locking	.50
45	204895	Escutcheon, lock locking rod, K491	.35
45	206636	Escutcheon, lock locking rod, K492	.04
46	204863	Button, rem. ctrl. rod push	.35
47	204865	Spring, push button	.04
48	204862	Rod, rem. ctrl.	1.45



VACUUM WINDOW LIFT, FRONT DOOR 4 DOOR VIRGINIAN

Item	Part No.	Description	Price
1	206008	Lift assy.	19.00
2	206009	Sup., assy.	.30
3	206010	Control, single	2.25
3	206011	Control, double	3.50
4	205891	Ret., control, single	.35
4	205889	Ret., control, double	.35

REAR DOOR

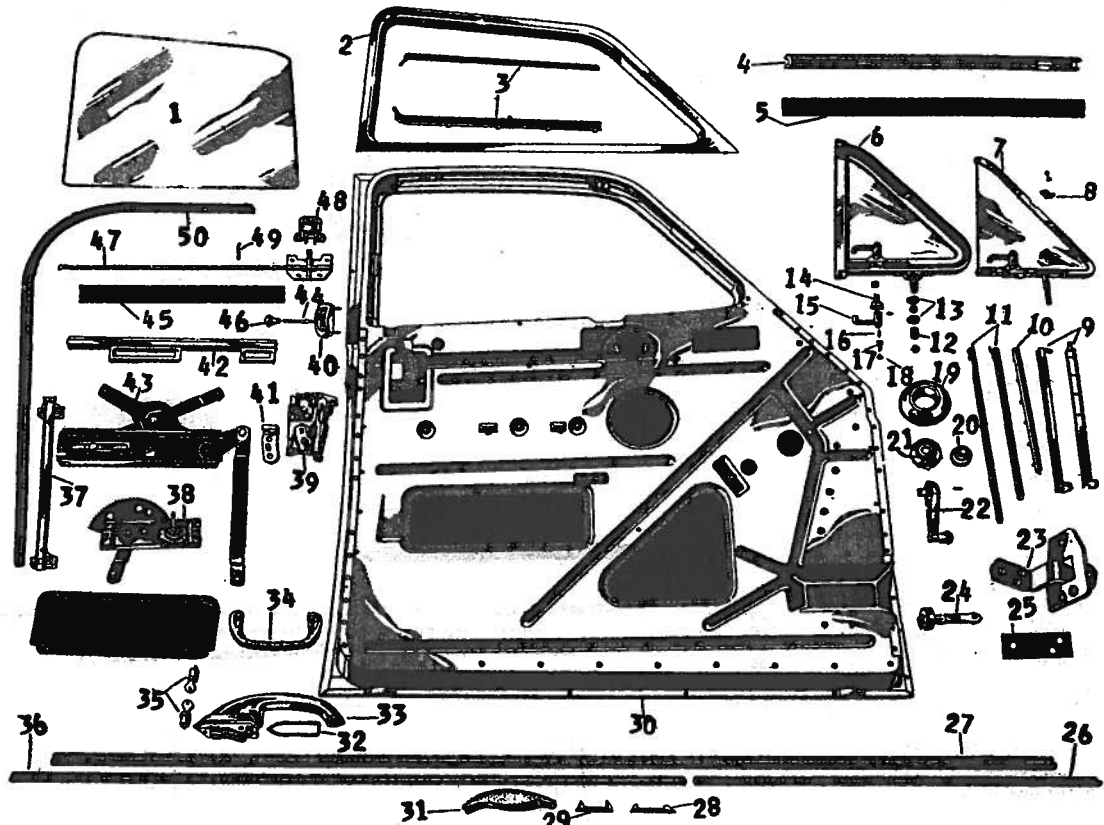
Item	Part No.	Description	Price
1	206013	Lift assy.	19.00
2	206016	Sup., assy.	.30
3	206010	Control, single	2.25
3	206011	Control, double	3.50
4	205891	Ret., control, single	.35
4	205889	Ret., control, double	.35

KAISER 1949 BODY PARTS

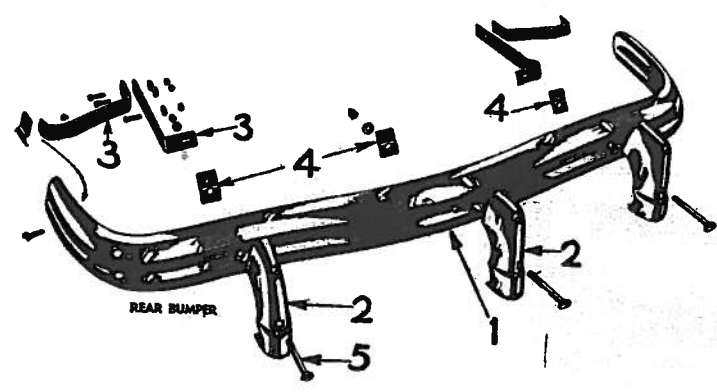
Models K491, K492. ALL BODY STYLES

3 PC. FRONT DOOR, HARDWARE, 4-DOOR SEDANS

Item Part No.	Description	Price
1	200842—Glass	6.00
2	204186—Molding, garnish, min. gray	6.00
3	202918—W/strip, inner	.35
3	202044—W/strip, outer	.45
4	200771—Seal, vent. glass	.20
5	200757—W/strip, vent. fr.	1.00
6	Ventilator, complete	
	203938—To, 491-7115, 492-23002	16.00
	204714—After 491-7115, 492-23002	16.00
7	Frame & glass, ventilator	
	200749—To, 491-7115, 492-23002	8.00
	204716—After 491-7115, 492-23002	8.00
8	202479—Hinge, upper vent.	15.00
9	203005—Bar, division	3.00
10	202225—W/strip, division	.40
11	202528—Run, upper door	.20
11	202529—Run, lower door	.35
12	200752—Spring, low. pivot.	.10
13	200755—Stop, low. pivot.	.05
14	204723—Shaft, vent. hndle.	.40
15	Handle, ventilator	
	200759—To, 491-7115, 492-23002	.55
	204720—After 491-7115, 492-23002	.55
16	200764—Spring, vent. hdl.	.01
17	200782—Key, push button	.15
18	Push button, vent hdl.	
	200763—To, 491-7115, 492-23002	.15
	200722—After 491-7115, 492-23002	.15
19	204864—Escutcheon, push btn., K491	.60
19	204906—Escutcheon, push btn., K492	.60
20	200658—Spring, reg. handle	.02
21	204730—Escutcheon, handle	.40
22	204726—Handle, regulator K491	1.10
22	204727—Handle, regulator K492	1.25
23	200590—Hinge, lower, dr.	1.65
23	200582—Hinge, upper, dr.	1.65
24	201563—Arm, check	.25
25	202903—Anti-squeak, hinge, upper	.02
25	202904—Anti-squeak, hinge to dr.	.02
26	203448—W/strip, low. hinge pillar	.30
27	203482—W/strip, door up., & lock pillar	.90
28	202403—W/strip, low. hinge filler	.15

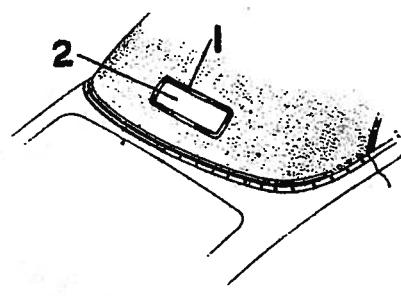


Item Part No.	Description	Price	Item Part No.	Description	Price	Item Part No.	Description	Price
29	202402—W/strip, up. hinge.	.15	37	200399—Ret. glass run	1.00	43	202327—Seal, glass	.20
30	204880—Door	54.00	38	202535—Regulator	2.15	46	204890—Button, lock. rod, K491	.15
31	202400—W/strip, up. hinge pillar	.25	39	204190—Lock, door	3.50	46	204891—Button, lock. rod, K492	.20
32	204910—Gasket, handle	.02	40	204883—Escutcheon, lock. rod, K491	.45	47	204860—Rod, remote ctrl.	1.45
33	204196—Handle, door	3.00	40	206838—Escutcheon, lock. rod, K492	.50	48	204863—Button, rem. ctrl. push	.35
34	Handle, remote control assist. 204902—K491	1.15	41	200379—Plate, striker	1.00	49	204885—Spring, push button	.04
	204903—K492	1.15	42	200844—Channel, glass ret.	.60	50	202330—Run, door glass	1.20
35	203880—Lock cyl. & keys	1.40	43	200707—Lifter, glass	1.90			
36	203972—W/strip, door, low.	.60	44	204888—Rod, locking	.02			



REAR BUMPER

Item Part No.	Description	Price
1	204133—Bar	24.50
2	204147—Guard, out.	4.25
2	205246—Guard, center	4.25
3	204136—Sup., in.	1.60
3	204138—Sup., out.	1.70
4	204122—Plate, spacer	.25
5	205375—Bolt	.25



REAR WINDOW 4-DOOR CONVERTIBLES

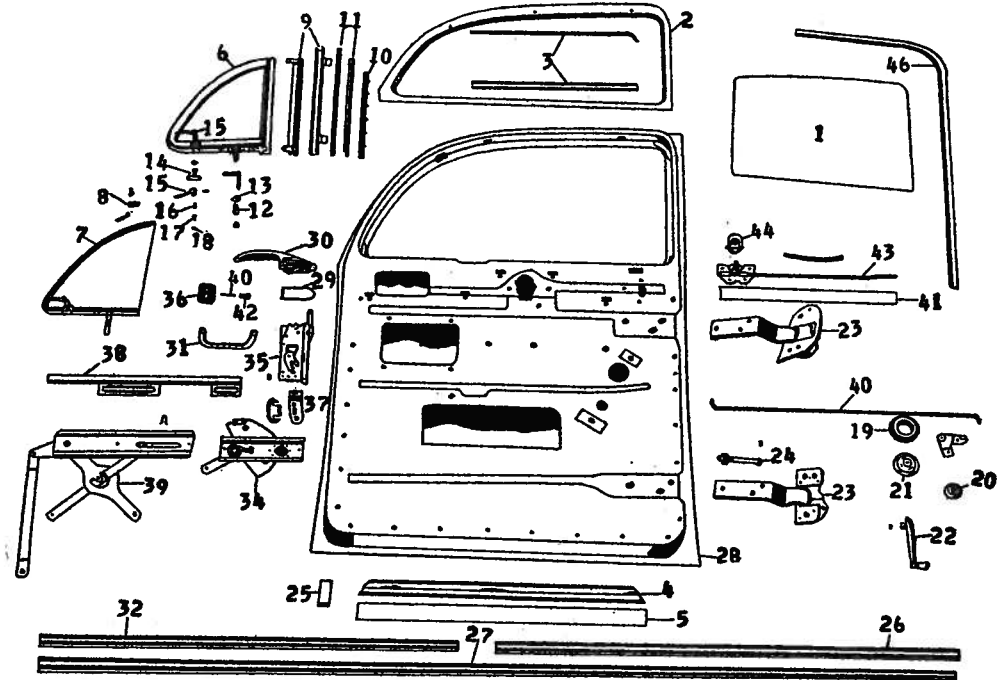
Item Part No.	Description	Price
1	206125—Frame, outer
	206124—Frame, inner
2	206399—Glass (clear plastic)	A.R.

BODY PARTS 1949 KAISER

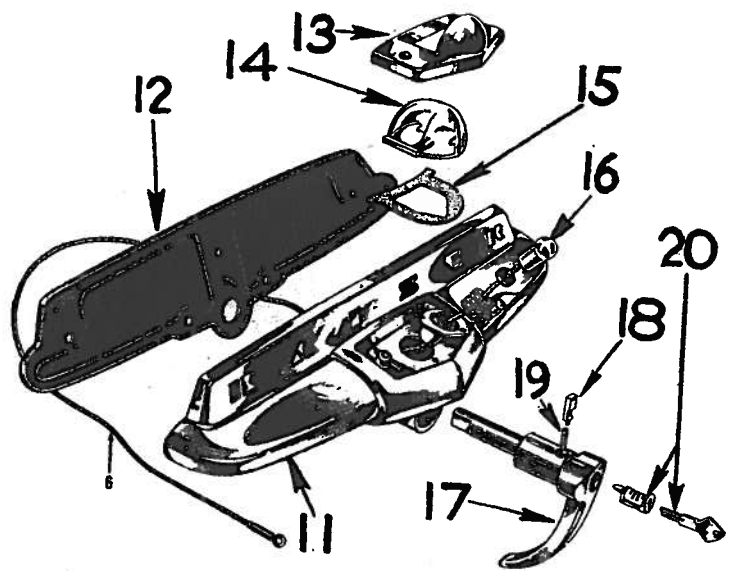
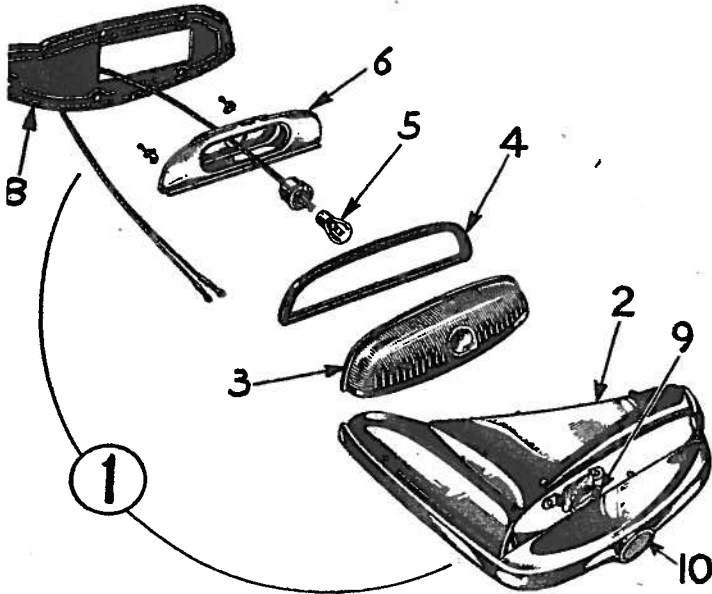
Models K491, K492. ALL BODY STYLES

3 PC. REAR DOOR HARDWARE 4 DOOR SEDANS

Item Part No.	Description	Price
1	200645—Glass	5.00
2	204198—Mold., garnish (gray)	.35
3	202920—W/strip, in.	.45
3	202047—W/strip, out.	.20
4	200771—Seal, vent. frame	1.00
5	200777—W/strip, vent. window	15.75
6	Ventilator, complete. 202542—To, K491-7115, 492-23002	15.75
6	204744—After, K491-7115, 492-23002	3.50
7	Frame & glass, ventilator. 200769—To, K491-7115, 492-23002	8.65
7	204746—After, K491-7115, 492-23002	2.75
8	204216—Pivot, vent., up.	.25
9	203008—Bar, div., vent.	2.75
0	202287—W/strip, div. bar	.40
1	202539—Run, dr. glass, up.	.20
1	202540—Run, dr. glass, low.	.35
2	200752—Spring, low. pivot, vent.	.10
3	200775—Stop, low. pivot, vent.	.05
4	204723—Shaft, vent. window	.40
5	Handle, ventilator, complete. 204213—To, K491-7115, 492-23002	1.25
5	204718—After, K491-7115, 492-23002	1.25
6	200764—Spring, vent. handle	.01
7	200762—Key, vent. handle	.15
8	Button, ventilator handle. 200763—To, K491-7115, 492-23002	.15
8	204722—After, K491-7115, 492-23002	.15
9	204864—Escutcheon, rem. ctrl. button, K491	.60
9	204900—Escutcheon, rem. ctrl. button, K492	1.60
0	202658—Spring, reg. handle	.12
1	204730—Escutcheon, reg. handle	.40
2	204726—Handle, reg., K491	1.10
2	204727—Handle, reg., K492	1.25
3	204595—Hinge, up.	1.85
3	200597—Hinge, dr., low.	1.85
4	201568—Arm, dr. check	.25
5	202904—Anti-squeak, dr. hinge	.02



Item Part No.	Description	Price	Item Part No.	Description	Price	Item Part No.	Description	Price
26	205431—W/strip, low. hinge pillar	.40	34	202544—Reg., window lock	2.15	40	204888—Rod, lock locking	.02
27	205492—W/strip, up., dr. & lock pillar	.90	35	204202—Lock, dr.	3.00	41	202537—Seal, window glass	.20
28	204918—Door	54.00	36	204893—Escutcheon, lock locking rod, K491	.45	42	204890—Button, locking rod, K491	.15
29	204910—Gasket, dr. handle	.02	36	206638—Escutcheon, lock locking rod, K492	.50	42	204891—Button, locking rod, K492	.20
30	204196—Handle, dr.	3.00	37	200579—Plate, striker	1.00	43	204882—Rod, remote control	1.45
31	204902—Handle, dr. lock rem. ctrl. asslet, K491	1.15	38	200647—Channel, glass run, low.	.60	44	204883—Button, remote ctrl. rod push	.35
31	204903—Handle, button escutcheon, K492	1.15	39	200707—Lifter, glass	1.90	45	204865—Spring, push button, ctrl.	.04
32	203978—W/strip, dr. bottom	.45	40	204204—Rod, crank to locking rod	46	202538—Run, dr. glass	1.20
33	204215—Ret., glass run, felt	.35						

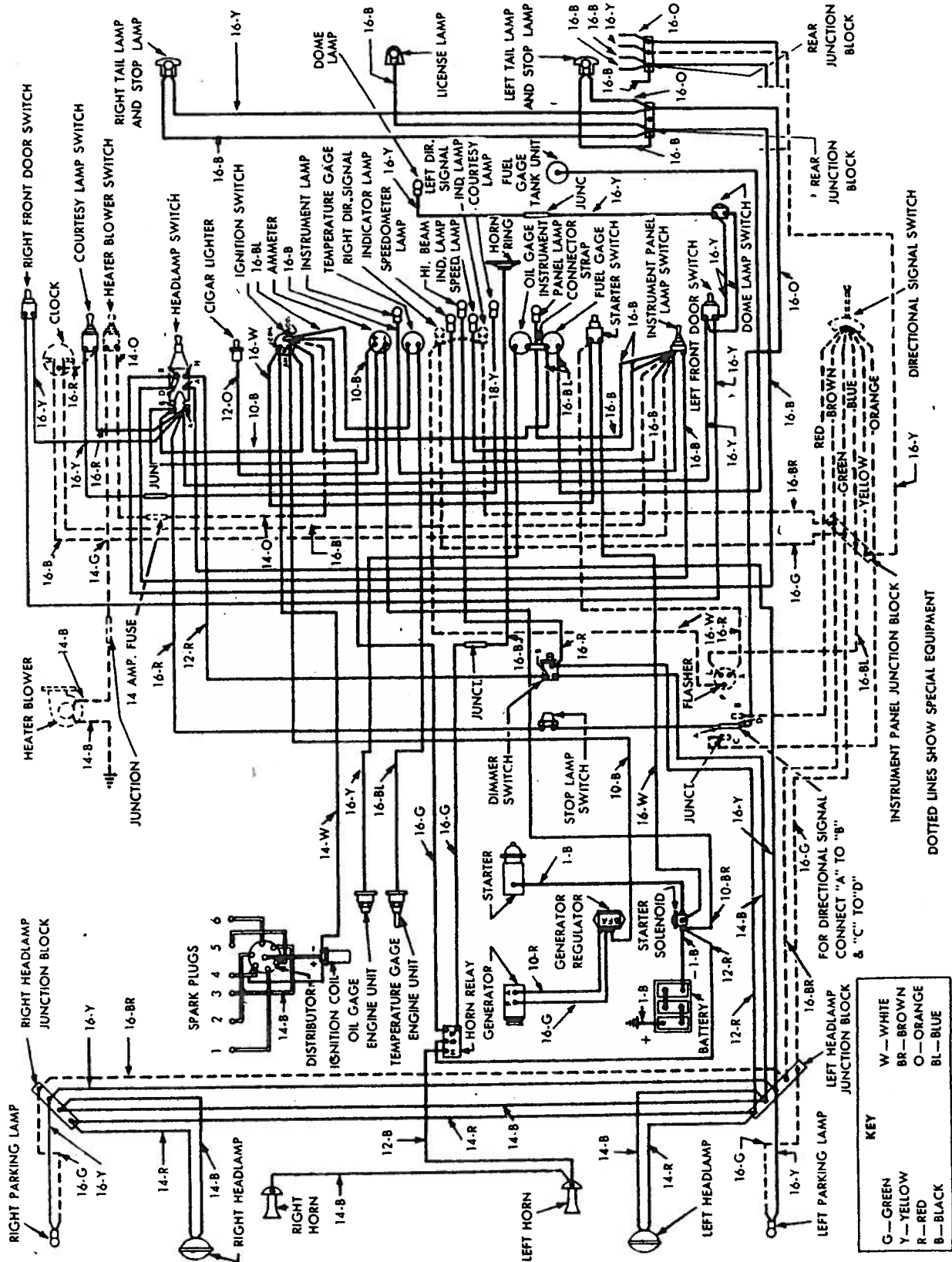


REAR & TAIL LAMPS

Item Part No.	Description	Price	Item Part No.	Description	Price	Item Part No.	Description	Price
1	204585—Tail, stop & direct light	7.50	5	204579—Bulb	.29	11	204509—Body, lic. lamp	5.00
2	204587—Body, light	5.95	6	204523—Housing	.50	12	205393—Pad	.30
3	204601—Lens	1.00	8	204604—Pad	.30	13	204513—Door, light	.25
4	204602—Gasket	.35	9	204521—Gasket, reflex lens	.05	14	204511—Lens	.25
			10	204520—Lens, reflex	.20	15	204512—Gasket, lens	.10
						16	201600—Bulb	.10
						17	204514—Handle, into body	2.80
						18	206243—Pawl, handle	.25
						19	202362—Spring, handle	.05
						20	203884—Cyl. & key	.95

KAISER 1949 WIRING

Models K491, K492. ALL BODY STYLES



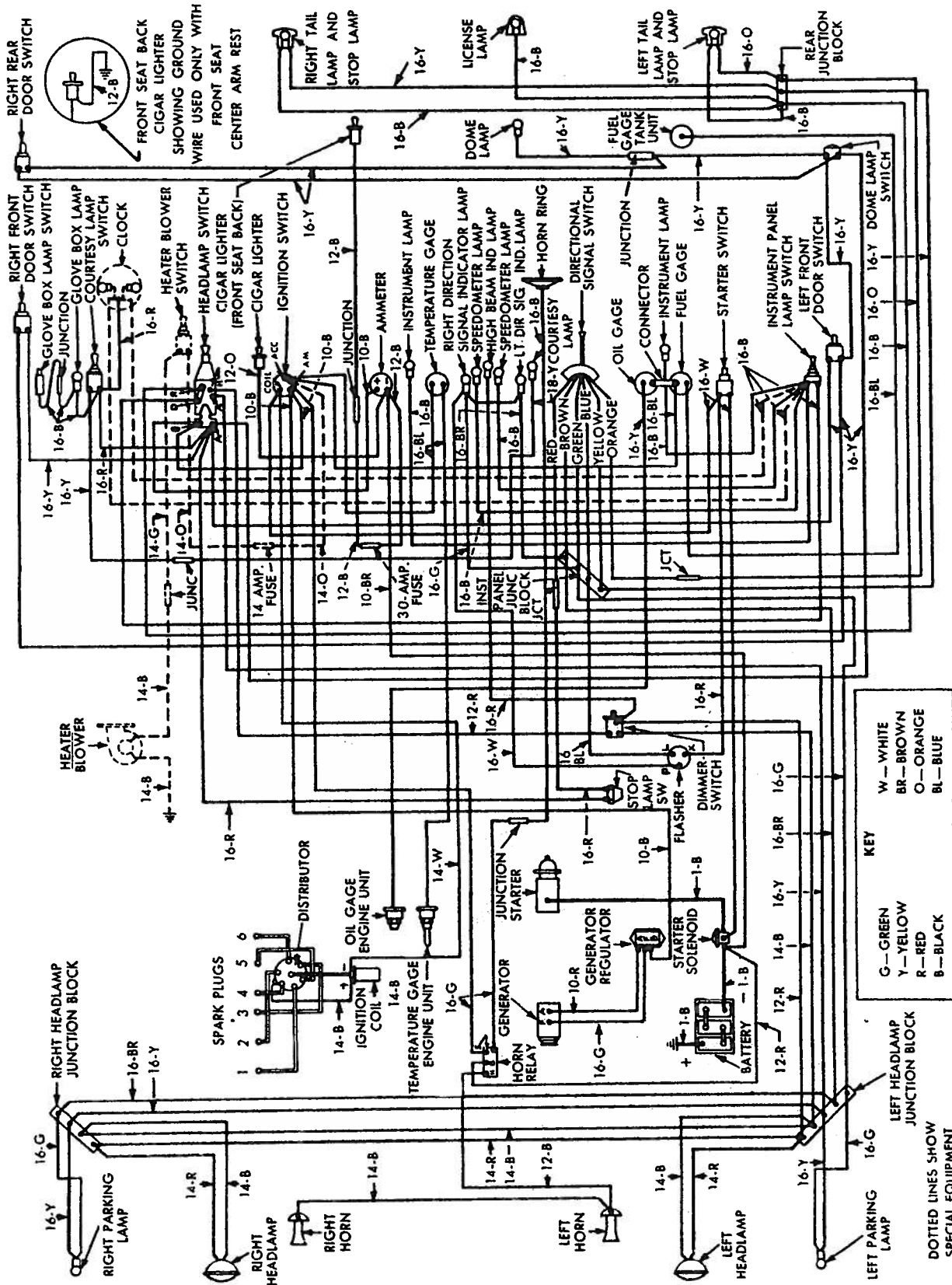
KEY

G—GREEN	W—WHITE
Y—YELLOW	BR—BROWN
R—RED	O—ORANGE
B—BLACK	BL—BLUE

Wiring diagram for Kaiser Special 1949

WIRING 1949 KAISER

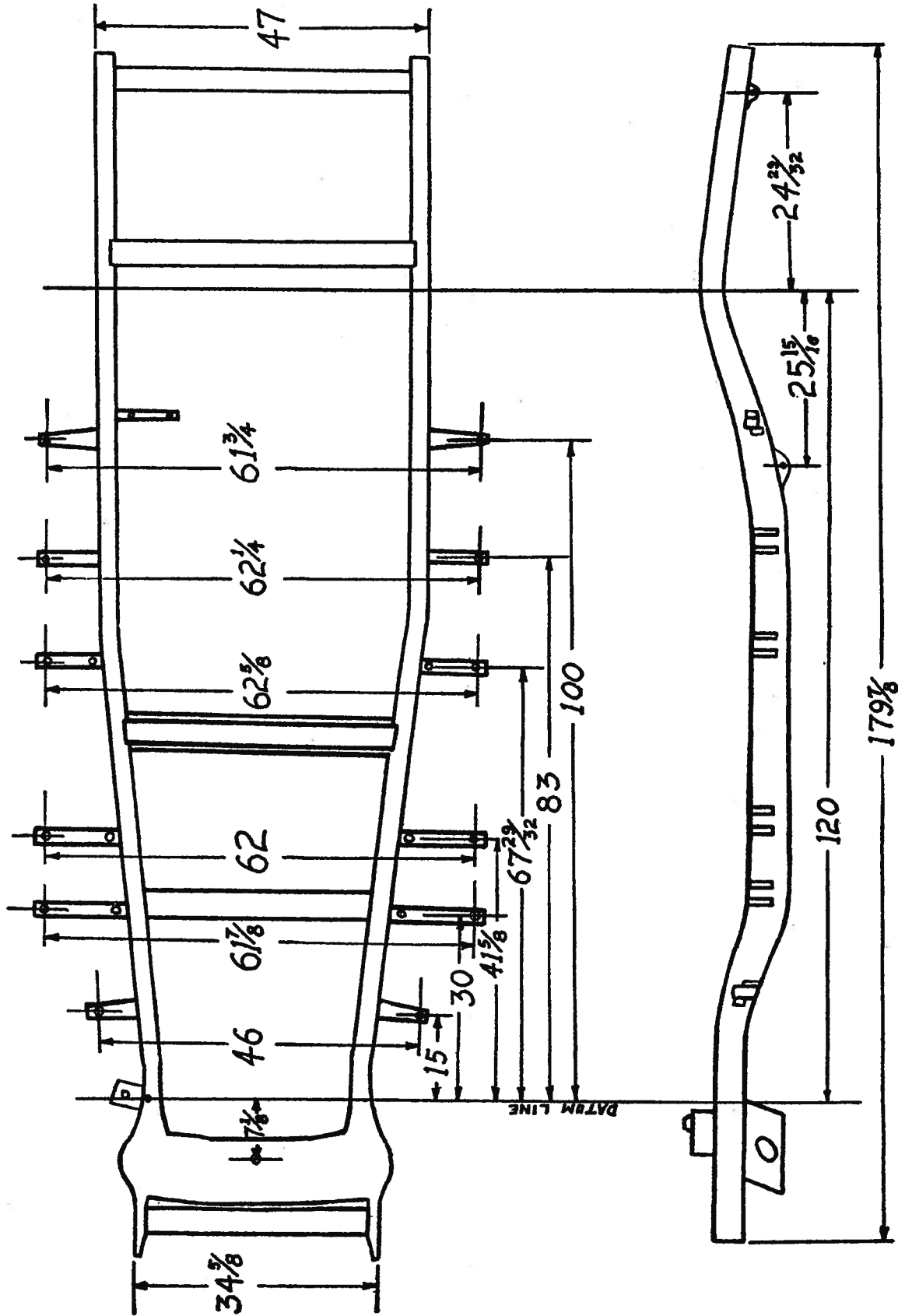
Models K491, K492. ALL BODY STYLES



Wiring for Kaiser De Luxe 1949

KAISER 1949 FRAME

Models K491, K492. ALL BODY STYLES



1949 Kaiser Frame

FLAT RATE 1949 KAISER

Models K491, K492. ALL BODY STYLES

Chilton Job No.	Chilton Labor Price	Chilton Job No.	Chilton Labor Price	Chilton Job No.	Chilton Labor Price	Chilton Job No.	Chilton Labor Price	Chilton Job No.	Chilton Labor Price	Chilton Job No.	Chilton Labor Price	Chilton Job No.	Chilton Labor Price	Chilton Job No.	Chilton Labor Price	Chilton Job No.	Chilton Labor Price				
A		A—continued		A—continued		B—continued		C—continued		C—continued		E		E—continued		F—continued		G			
1	2.00	7	2.00	20x	10.00	9	28.00	2	28.00	15	1.25	11	80.00	11	82.00	2	28.00	1	85.00		
2	1.75	8	1.25			10	20.00	3	20.00			2	25.00	3	20.00	3	20.00	2	28.00		
3	3.50	9	3.50			11	3.25	4	1.75			3	22.00	4	1.75	3	23.00	3	23.00		
4	16.50	10				12	3.75	5	4.00			4	20.00	4	1.75	4	1.75	4	1.75		
4a		11	3.00	1	8.50	13		6	2.00	1	3.00	5	125.00	5	4.50	5	2.00	5	2.00		
4b	2.00	12	4.50	1a	6.00	14	3.00	7		1a	2.50	6	118.00	6	2.00	6	2.00	6	2.00		
4c	6.00	13	1.50	2	28.00	15	1.25	8	4.00	2	1.75	7		7	2.00	7	2.00	7	2.00		
5	10.00	14		3	20.00			9		3		8		8	4.00	8	4.00	8	4.00		
5a	3.00	15	.75	4	1.75			10		4	10.00	7x	45.00	8		9		9		9	80.00
5b	4.00	16		5	4.00			11	3.25	7		8		9		10		10		10	80.00
5c	3.00	17		6	2.00			12	3.75	7x	45.00	9x	82.00	11		11		11		11	82.00
5d	8.00	18	12.00	7	2.00	1	7.50	13		19	7.00	8y	82.00	12		12		12		12	12.00
6	16.00	20	7.50	8	4.00	1a	5.50	14	3.25	20	3.00	10		13		13		13		13	12.00
												1a	4.50	14	3.00	14		14		14	12.00

STEERING GEOMETRY

- Pivot (Lower Arm)
- Seal
- Lubrication Fitting
- Bushing Assy. (Lower Arm)
- Reinforcement
- Lower Suspension Arm Assy. (R.H.)
- Front Sway Bar Support
- Bolt, Washer & Nut (Sway Bar Support)
- Steering Knuckle Support (R.H.)
- Bushing Assy.
- (See View B)
- Shim
- Shim
- Plain Washer
- Lock Washer
- Screw (Hex Head)
- Upper Suspension Arm (L.H. & R.H.)
- Upper Pivot (Inner)
- Seal

- Cushion
- Retainer
- Retainer
- Cushion
- Retainer
- Nut
- Expansion Plug
- King Pin
- Steering Knuckle Support (R.H.)
- Needle Bearing (King Pin)
- Sway Eliminator Bar Link Nut (Upper)
- Steering Knuckle Assy. (L.H.)
- Thrust Bearing
- Shims (Thrust Bearing)
- Lubrication Fitting
- Lower Suspension Arm Assy. (L.H.)
- Lock Pin
- Sway Eliminator Bar Link Nut (Lower)
- Front Coil Spring

- Front Sway Bar Assy.
- Upper Pivot (Outer)
- Seal (Upper Pivot, Outer)
- Seal (Lower Pivot, Outer)
- Nut (Lower Pivot, Outer)
- Cotter Pin
- Lower Pivot (Outer)
- Bushing (Lower Pivot, Outer)
- Insulator (Upper)
- Upper Seat
- Retainer
- Cushion
- Lower Support
- Insulator (Lower)
- Spring Seat
- Shock Seat (Lower)
- Cushion
- Retainer
- Nut (Lower)

CASTER: Limits—1 degree negative to 1 degree positive. Zero degree preferred.

CAMBER: Limits—zero to 3/4 degree. 1/4 degree preferred.

TOE-IN: Zero to 1/16 inches. Zero preferred.

KING PIN INCLINATION: 4 3/4 to 5 3/4 degree. 5 1/2 degree preferred.

ALL MODELS

Caster and camber adjusted by upper eccentric pin.

