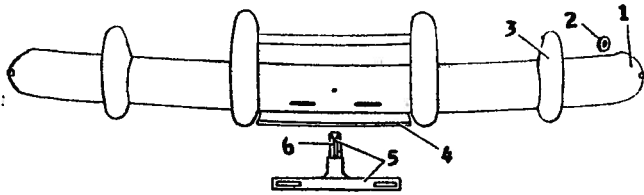


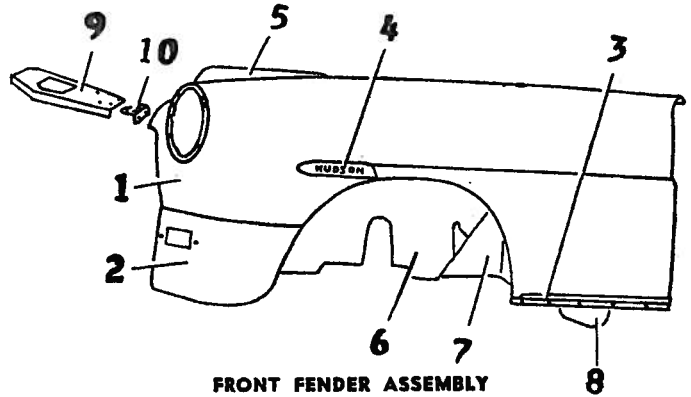
HUDSON 1948 and 1949 BODY PARTS

Super Six and Eight Series 481-483; 491-493. ALL BODY STYLES



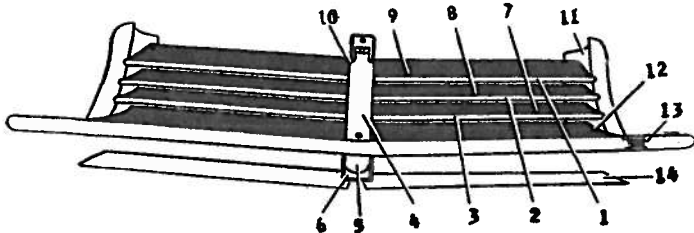
FRONT BUMPER ASSEMBLY

Item Part No.	Description	Price	Item Part No.	Description	Price
1	C-213512—Bar, face	\$30.00	4	BZ-213528—License grd., L.	3.50
2	BZ-213519—Spacer, face bar	.10	5	BZ-204968—License brkt. & clamp	.65
3	BZ-213533—Guard, L.	9.50	6	BO-120774—Clamp, lic. plate	.23



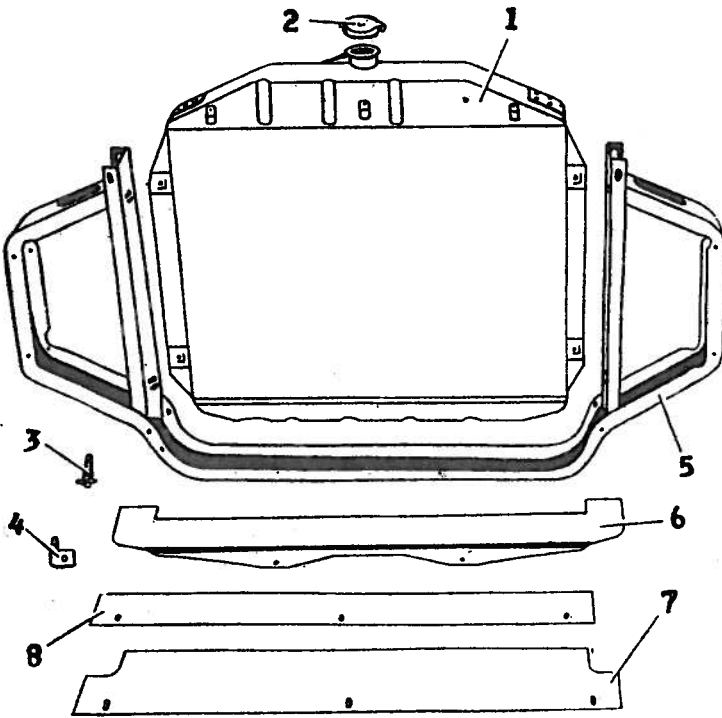
FRONT FENDER ASSEMBLY

Item Part No.	Description	Price	Item Part No.	Description	Price
1	A-212001—Fender assy., L.	42.75		BZ-211877—Seal, L., steer. arm	3.50
2	A-211483—Front exten., L.	4.75		A-210503—Reinfmt. L., shield	2.85
	BO-128301—Bumper, F. ex.	.17	7	A-213229—Exten. L., side shd.	4.00
	BO-170066—Bolt, up. brkt. to pillar	.06		BZ-213212—Steer. seal, side shd., exten.	.05
	BZ-71284—Bolt, low., brkt. to pillar	.05		BZ-213218—Frame seal, side shd., exten.	.05
	BZ-147068—Bumper, hood	P.O.A.	8	C-211105—Stone grd. assy., L.	3.00
3	BO-211378—Mold, fender panel, lower	.60		A-213211—Support, L., stone guard	2.85
	BO-211880—Retainer, mold.	.11	9	A-210481—Support, tie panel & hood lock	5.60
4	BZ-210623—Name plate, L.	2.50	10	BZ-210483—Brkt., L., tie panel	.40
5	BO-210816—Ornament, opt.	2.75		BZ-210385—Cor. reinfmt., L.	.65
6	A-211659—Side shield assy., L.	12.76			
	BZ-210352—Sealing strip, up. side shd.	.15			
	BZ-210353—Sealing strip, low. side shd.	.16			



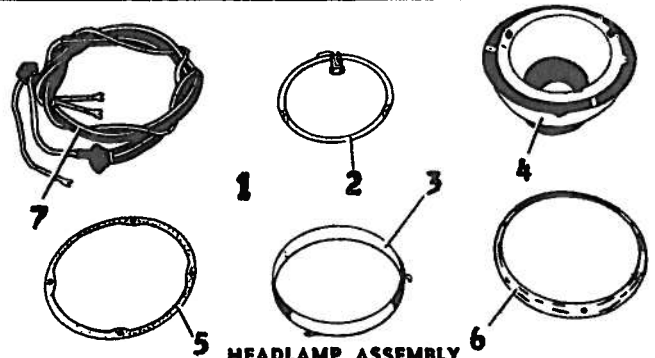
GRILLE ASSEMBLY

Item Part No.	Description	Price	Item Part No.	Description	Price
1	C-211563—Mold, up. grille	.75	9	A-212275—Baffle, lower, L.	1.20
2	C-211560—Mold, center	.75	10	BO-212497—Center support, baffle	.75
3	C-211561—Mold, lower	.75	11	A-212489—Side support, L., baffle	3.00
4	BO-212498—Center bar, up.	2.50	12	A-210170—Splash gd., up.	
5	BZ-212499—Center bar, low.	.75	13	C-213088—Mold, splash gd.	
6	BZ-212925—Sup. cent. bar, low.	1.00	14	A-210565—Splash gd., low. L.	
7	A-212273—Baffle upper L.	1.15			
8	A-212274—Baffle center, L.	1.15			



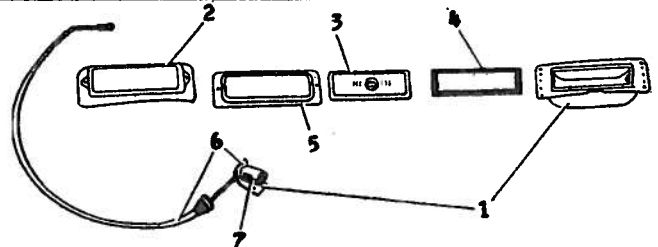
RADIATOR ASSEMBLY

Item Part No.	Description	Price	Item Part No.	Description	Price
1	C-300480—Core assy.	95.00	7	C-301624—Air deflec., No. 1 C, member 481,91	.45
2	BM-18118—Drain cock	.45	8	C-301639—Air deflect, 483,93	.35
3	F-152564—Filler cap	.40		BZ-210648—Pad, air deflect.	.05
4	BZ-300527—Mount, brkt., L.	.25		BZ-210549—Shim, deflector.	.10
5	C-210535—Mounting channel	5.10			
6	A-210576—Air deflector, up., 481,91	.75			



HEADLAMP ASSEMBLY

Item Part No.	Description	Price	Item Part No.	Description	Price
1	BO-212860—Headlamp assy.	15.00	8	BO-212880—Rim, lens	2.90
2	SP-141850—Seal, beam unit	1.30	7	BO-212862—Wires & connector assy.	2.30
3	BO-206263—Retainer, sealed beam	2.15		BO-200263—Connector assy.	.35
4	BO-212881—Housing assy. lamp	3.90		BO-31648—Insulator, wire terminal	.61
5	BO-142072—Gasket, housing to fender	.25			

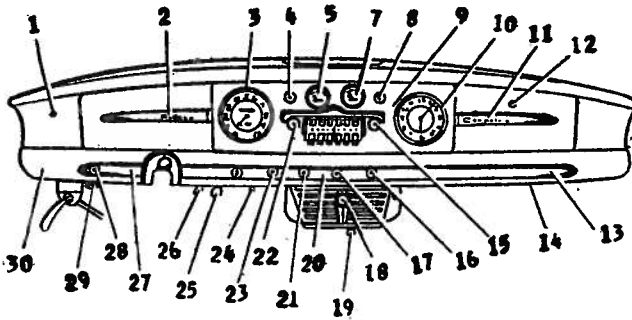


PARKING LAMP ASSEMBLY

Item Part No.	Description	Price	Item Part No.	Description	Price
1	BO-213410—Lamp assy., without di.	5.50	8	BO-213419—Socket, brkt. & wire assy. without di.	1.8
1	BO-213412—Lamp assy. with di.	6.50	6	BO-213420—Socket, brkt. & wire assy. with di.	2.2
2	BO-213418—Door, lamp	1.85	7	BO-213562—Socket, brkt. assy. without di.	.3
3	BO-213415—Lens	.50	7	BO-213563—Socket, brkt. assy. with di.	.8
4	BO-213417—Gasket, lens	.35			
5	BO-213416—Retainer, lens	.35			

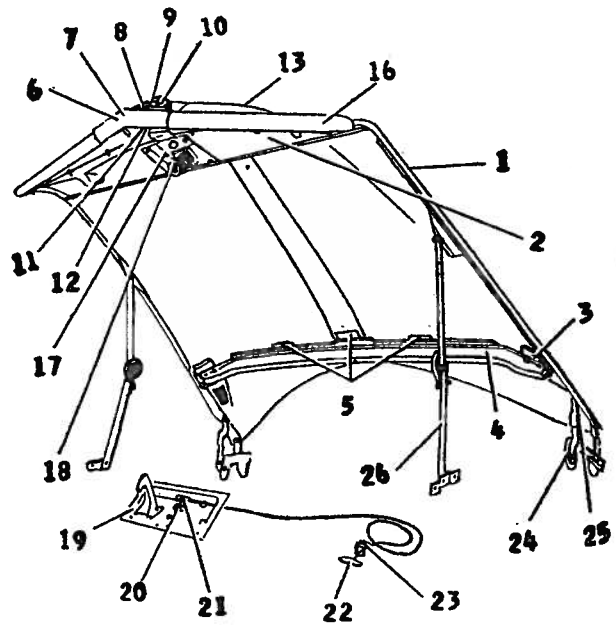
BODY PARTS 1948 and 1949 HUDSON

Super Six and Eight Series 481-483; 491-493. ALL BODY STYLES



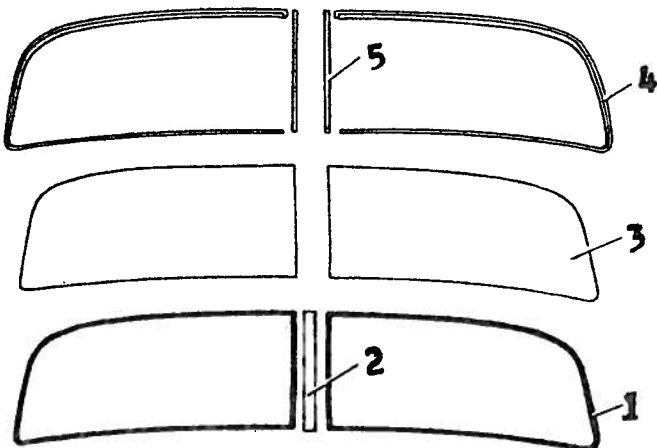
INSTRUMENT PANEL

Item Part No.	Description	Price	Item Part No.	Description	Price
1	BO-158148—Jewel-Di., tell tale	.25	17	BO-213217—Element & Knob assy.	1.80
2	BO-213597—Ornament L.	1.80	18	BO-164241—Switch assy.	1.65
3	BO-211432—Spdmtr. assy.	12.50	19	BO-164601—Knob, control arm	.17
4	BO-215560—Lens, oil indicator	.20	20	BO-213626—Ornmt., sw. pni. without H.D.M. or V.D.	2.25
5	F-213202—Gauge, gas	1.95	20	BO-213796—Ornmt., sw. pni. with H.D.M. & V.D.	2.25
7	F-213203—Gauge, water temp.	1.95	21	BO-300641—Lighting sw. & circuit breaker	2.85
8	BO-215560—Lens, ampers indicator	.20	22	BO-300766—Knob, vol. cntrl.	.50
9	A-211774—Instrument, finish panel	8.00	23	BT-301176—Switch, H.D.M.	1.50
10	BO-211437—Clock assy., mech.	14.20	24	BO-160092—Rheostat, inst. lights	1.00
10	BO-211446—Clock assy., elec. optional	31.50	25	BO-210448—Handle assy., Vent.	.60
11	BO-213597—Ornament, L., glove door	1.80	26	C-301762—Control wire & casing assy.	2.50
12	BO-211471—Lock, assy., glove door	1.50	27	BO-213621—Ornament, sw. panel, L.H.	.95
13	BO-213624—Ornament, sw. panel, R.H.	2.50	28	BO-300646—Starter, sw. & brkt assy.	1.65
14	A-213608—Panel R. H. inst. sw.	9.50	29	BO-211163—Knob & wire assy., hood lock.	.75
15	BO-300766—Knob, turning control	.50	30	A-213609—Panel, L.H. inst., sw.	3.60
16	BO-301011—Knob	.35			



HOOD ASSEMBLY

Item Part No.	Description	Price	Item Part No.	Description	Price
1	A-210630—Hood assy.	57.25	13	BO-210646—Hood crest	4.25
2	A-210366—Reinfmt., hood F.	4.20	16	C-211799—Hood louver, L.	6.45
3	A-210363—Reinfmt., L., hood rear	2.95	17	BO-211166—Hood lock, up. half	1.70
4	A-211821—Brace, rear reinfmt.	4.25	18	BO-211185—Stiffener, lock up. plate	.20
5	BO-211888—Silencer, R. reinfmt. brace	.05	19	BO-211167—Hood lock, low. half	4.00
6	BO-211513—Ornament, hood, front	13.50	20	BO-210372—Lever & aux. lev. assy.	.65
7	BO-211512—Housing, F. ornament	8.00	21	BO-211182—Control assy., hood lock	1.75
8	BZ-208757—Reflector, ornament	.75	22	BO-211163—Wire & knob, lock control	.75
9	BO-211514—Lens, ornament	6.45	23	BO-211243—Brkt., hood lock control	.25
10	BO-208789—Gasket, lens.	.60	24	BO-211825—Hd. hinge assy., L.	3.50
11	BO-301086—Socket & wire, F. ornament	.70	25	BO-70839—Spacer, hinge	.01
12	BO-153675—Socket, ornament light	.17	26	BO-212680—Hd. prop. assy.	2.00

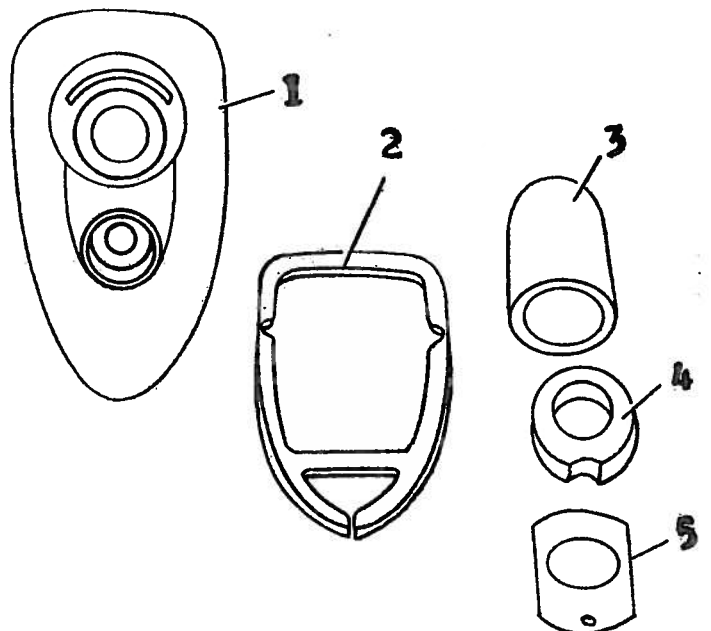


WINDSHIELD ASSEMBLY

Item Part No.	Description	Price
1	BO-210811—Wthstp., L.	4.40
2	BO-210780—Center bar, out.	.20
	BO-210684—Retainer, lower.	.05
3	210513—Glass, L.	P.O.A.
4	C-210985—Mold., L. reveal.	2.25
5	BO-210987—Mold., L. center reveal	.75

LICENSE LAMP ASSEMBLY

Item Part No.	Description	Price
1	BO-211087—Lamp assy.	4.50
2	BO-148356—Gasket, housing	.23
3	BO-148352—Lens	.45
4	BO-148353—Gasket, lens	.17
5	BO-148354—Retainer, lens.	.17

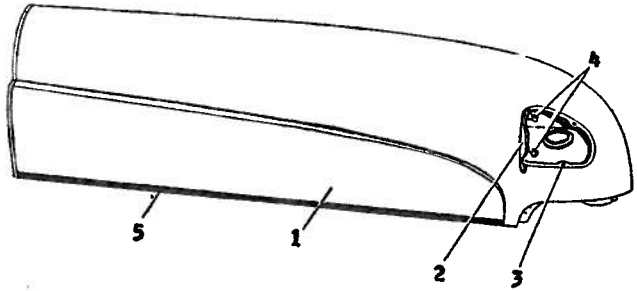


HUDSON 1948 and 1949 BODY PARTS

Super Six and Eight Series 481-483; 491-493. ALL BODY STYLES

REAR FENDER ASSEMBLY

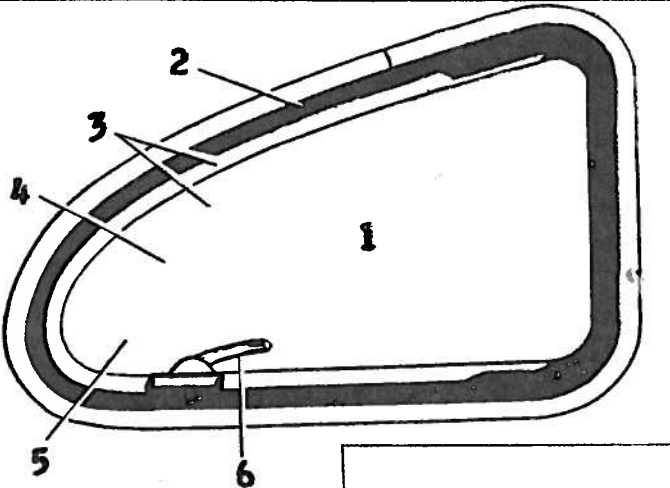
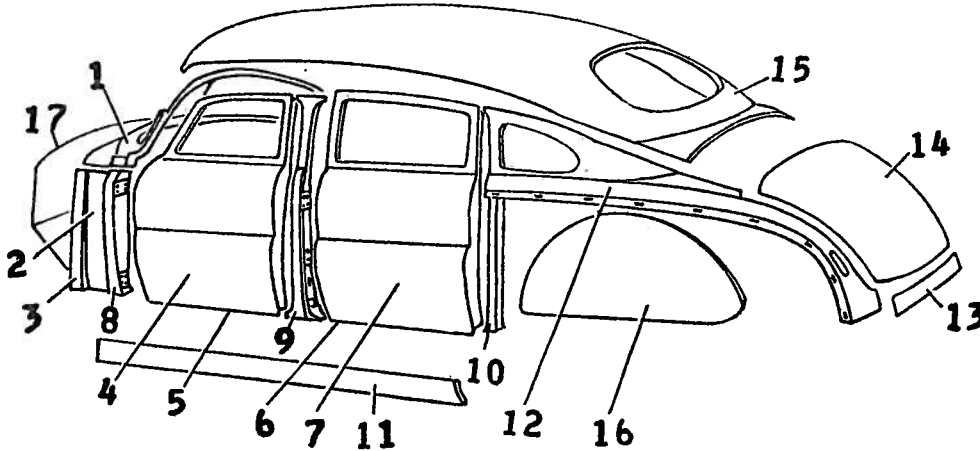
Item Part No.	Description	Price	Item Part No.	Description	Price
1 A-212021	Fender assy., L., sdn.	26.00	C-212289	Retainer, mold., lower, 2nd type, ex. sdn.	.60
1 A-212027	Fender assy., L., ex. sdn.	27.50	C-212288	Retainer, mold., lower, sdn.	.30
BZ-211297	Plate, fender to qtr. pan. bolt.	.06	C-211257	Whl. cover & rod, L.	5.50
2 BZ-212535	Gas filler door, L.	2.25	BZ-211373	Wthseal, upper wheel cover	.15
3 BO-212546	Bump, filler dr.	.05	BZ-211374	Wthseal, end wheel cover	.05
4 BO-217347	Sprg., L.H. filler door	.10	BZ-211248	Wthseal, cover to frame	.10
5 C-211380	Mold., fend., low., sdn.	1.25	C-213480	Mold., up. wheel cover	1.00
5 C-211381	Mold., fend., low., ex. sdn.	1.75	C-210137	Reinfmt., fender to body, sdn.	1.50
BO-211860	Retainer, mold., lower, 1st type, ex. sdn.	.10			



BODY SHEET METAL

4-DOOR SEDAN

Item Part No.	Description	Price
1 C-210638	Front end panel assy.	34.60
2 C-210461	Cowl side pan., L.	3.55
3 BO-210467	Brace, cowl side panel, L.	2.26
4 C-212553	Door assy., L. frt.	48.75
5 C-211741	Front door panel, L. outer	19.50
6 C-211739	Rear door panel, L. outer	17.00
7 C-212563	Rr. door assy., L.	41.75
8 C-210299	Pillar, front L.	7.00
9 C-213447	Pillar, center L.	5.73
10 C-210247	Pillar, rear L.	5.73
11 A-211345	Rocker panel, L.	9.63
A-211147	Exten., front rkr. pan., L.	1.25
A-211149	Exten., rear rkr. pan., L.	1.25
12 C-210211	Qtr. panel, L. out.	7.50
13 C-210290	Rear trunk panel lower	2.50
14 C-211239	Deck lid	22.25
15 C-210070	Roof panel	60.00
16 C-210110	Wheelhouse panel, L. in.	7.63
16 C-210113	Whlhouse. panel, L. out.	11.00
17 C-211726	Dash panel assy.



OUTSIDE MOLDINGS

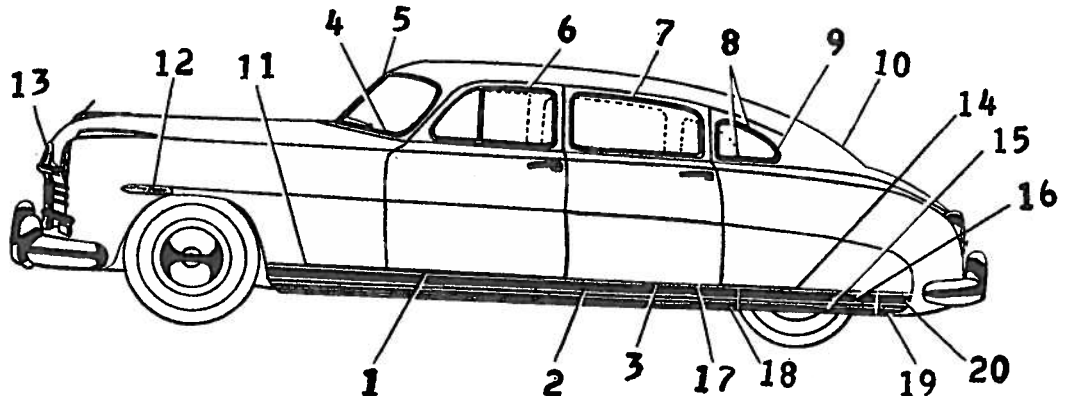
4-DOOR SEDANS

Item Part No.	Description	Price	Item Part No.	Description	Price
1 C-211854	Mold., F. dr., low.	1.00	12 BZ-210623	Name plate, L.F. fender	2.50
2 C-211858	Mold., R. dr., low.	.75	13 BO-211513	Ornament, hood, front	13.50
3 BO-211861	Ret., door mold.	.10	14 C-211380	Mold., R. fender panel	1.25
4 C-210985	Mold., L. wdshd. reveal	2.25	15 C-213480	Mold., R. wheel cover, lower	1.00
5 BO-210987	Mold., L. center wdshd. reveal	.75	16 C-213480	Mold., up. wheel cover
6 C-213135	Mold. & w/stp., L.F. door reveal.	3.10	17 C-213651	Mold., up. rocker panel
7 C-213163	Mold. & w/stp., L.R. door reveal.	3.25	18 C-213653	Mold., low. rocker panel
8 BO-210909	Cov., mold. jt., all windows	.10	19 BO-213481	Mold, low. rear rocker panel
9 C-210913	Mold., L. qtr. win. reveal	1.75	20 BO-213482	Mold., up. rear rocker panel
10 C-210967	Mold., L. rear window reveal, opt.	1.75			
11 BO-211378	Mold., F. fender, lower	.60			

REAR QUARTER WINDOW

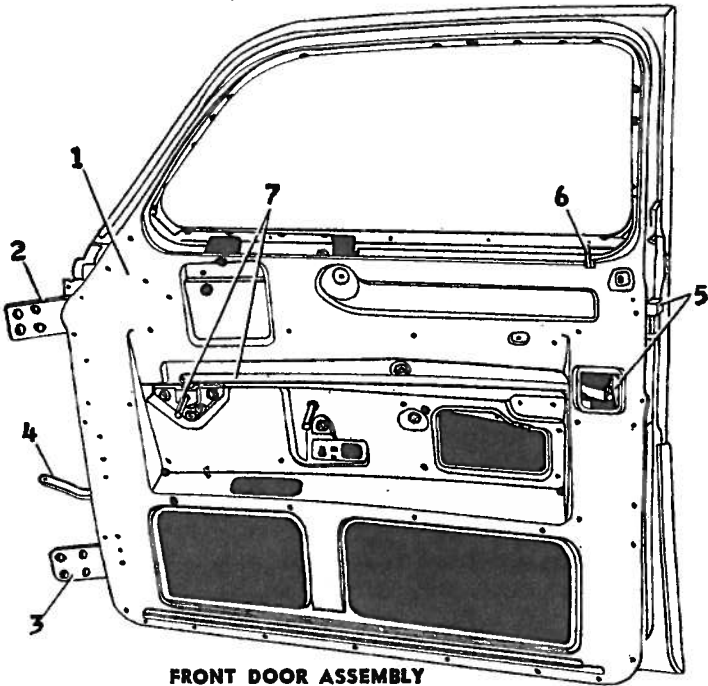
4-DOOR SEDAN

Item Part No.	Description	Price
1 BO-212429	Wing & wthstp. ret. complete, L.	17.50
BO-212441	Wthstp. ret. assy., L.	3.25
BO-212234	Locking plate.	.15
BO-212080	Brkt., ret. sup.	.05
2 BO-212445	Wthstp., L.	2.85
BO-212469	Pivot stop, lower	.06
BO-212464	Ret. upper pivot	.05
3 BO-212433	Frame & glass assy., L.	10.80
4 210872	Glass, L.	P.O.A.
5 BO-212435	Frame assy., L.	7.00
BO-212839	Pivot, L. lower	.40
BO-212465	Socket, pivot	.10
6 BO-212329	Locking handle & brkt., L.	1.75



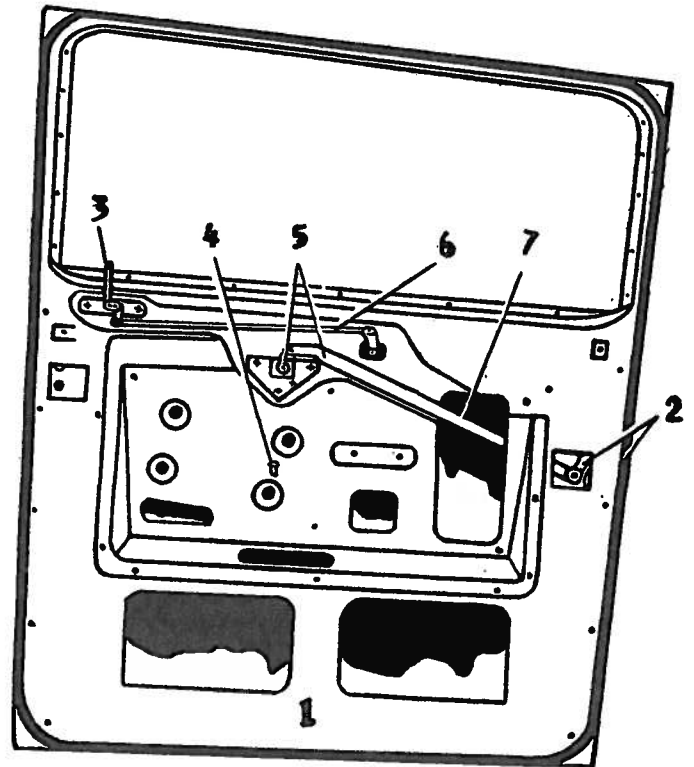
BODY PARTS 1948 and 1949 HUDSON

Super Six and Eight Series 481-483; 491-493. ALL BODY STYLES



FRONT DOOR ASSEMBLY

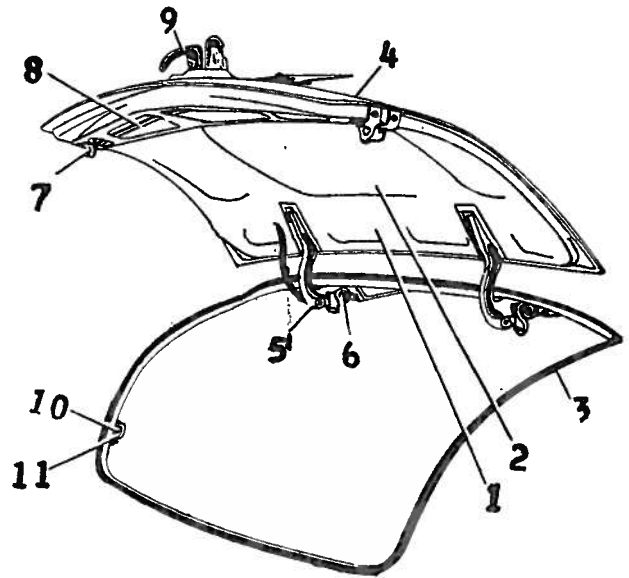
Item	Part No.	Description	Price	Item	Part No.	Description	Price
1	C-212553	Dr. assy., L., 4 d.	43.75				
1	C-212573	Door assy., bro. & cps.	48.50				
2	BO-212425	Hinge, L. body half, up, bro. & cps.	1.70				
2	BO-211951	Hinge, L. body half, up, sdn.	1.68				
2	BO-212426	Hinge, up. door half, bro. cps.	1.15				
2	BO-212426	Hing. up. door half, sdn.	1.15				
3	BO-211961	Hinge, low. body half	1.65				
3	BO-211962	Hinge, low. door half	1.65				
		BO-211997	Tapping plate, upper hinge, door	.60			
		BO-211998	Tapping plate, lower hinge, door	.30			
		BO-210240	Tapping plate, upper pillar hinge	.50			
		BO-210234	Tapping plate, lower pillar hinge	.35			
		BO-210274	Tapping plate, center pillar hinge	.40			
4	BO-210752	Check arm assy.	.50				
		BO-210754	Gde., check arm	.30			
		BO-211096	Brkt. check arm	.20			
5	BO-212241	Lock assy., L.	1.50				
6	BO-211995	Knob, lock	.20				
		BO-211789	Striker L. lock	.55			
		BO-211977	Tapping plate, L. striker	.35			
		BO-211972	Retainer, tapping plate, sdn.	.15			
		BO-211974	Retainer, tapping plate, ex. sdn.	.15			
		BO-210858	Safety lock	2.20			
		BO-211926	Retainer, safety lock	.05			
7	BO-211933	Remote control L., cps. & bro.	1.50				
7	BO-211931	Remote control, L., sdn.	1.50				
		BO-211984	Sleeve assy. remote con., bro. & cps., 24"	.15			
		BO-211985	Sleeve assy. remote con., sdn.	.15			
		BO-214565	Wthstp., door, upper, bro. & cps.	.85			
		BO-214564	Wthstp., door, upper, sdn.	1.20			
		C-212377	Wthstp., door, frt. L.	3.00			
		BO-213737	Wthstp., L. door belt	.85			
		C-213713	Wthstp., dr., bottom, ex. sdn.	.95			
		C-213711	Wthstp., dr., bottom, sdn.	.95			
		BO-213742	Wthstp., dr., F.	1.00			
		C-216167	Wthstp., dr. pan., bottom, ex. sdn.	3.25			
		C-216169	Wthstp., dr. pan., bottom, sdn.	2.85			



REAR DOOR ASSEMBLY

Item	Part No.	Description	Price	Item	Part No.	Description	Price	
1	C-212583	Door assy., L.	41.75	2	BO-212339	Lock assy., L.	4.75	
		BO-211981	Hinge, upper, door half	1.65	3	BO-211995	Knob, lock rel.	.20
		BO-211991	Hinge, lower, door half	1.60				
		BO-211980	Hinge, upper, body half	1.65				
		BO-211990	Hinge, lower, body half	1.50				
		BO-211999	Tapping plate, hinge, lower on door	.30				
		BO-210753	Check arm assy.	.50				
		BO-210754	Gde., check arm	.30				
		BO-211096	Brkt. check arm	.20				
		BO-211985	Lock assy., L.	4.75				
		BO-211995	Knob, lock rel.	.20				
		BO-211789	Striker L. lock	.55				
		BO-211977	Tapping plate, L. striker	.35				
		BO-211651	Reg. assy., L.	.35				
		BO-211941	Remote con., L.	1.15				
		BO-211965	Link assy., L. lock	1.00				
		BO-211985	Sleeve assy. remote control	.15				
		BO-213755	Wthstp., L.	1.25				
		C-216171	Wthstp., L. door panel, bottom	2.55				

Item	Part No.	Description	Price	Item	Part No.	Description	Price
1	C-211239	Lid assy., sdn. & bro.	22.25				
1	C-211246	Lid assy., coupes & cv.	32.00				
2	C-210820	Silencer, lid, sdn. & bro.	.30				
2	C-214120	Silencer, lid, coupes & cv.	.40				
3	BO-210334	Wthseal, lid, sdn. & bro., 142"	4.25				
3	BO-210335	Wthseal, lid, cps. & cv., 179"	5.00				
4	BO-211785	Name plate, lid	3.50				
5	BO-214268	Hinge assy, lid, 1st type, sdn. & bro.	3.50				
5	BO-214269	Hinge assy, lid, 1st type, cps. & cv.	4.25				
		BO-210814	Cover, hinge, 1st type	.50			
6	BO-212157	Sprg., lid hinge, sdn. & bro.	.45				
6	BO-212163	Spr., lid hinge, cps. & cv.	.90				
		BO-213096	Reinfmt. hinge & brkt., cps. & cv.	.20			
		BO-214268	Hinge & cover, 2nd type, sdn. & bro.	3.50			
		BO-214269	Hinge & cover, 2nd type, cps. & cov.	4.25			
7	BO-210813	Clamp lever & brkt., L. latch	.45				
8	BO-211332	Link, latch	.75				
9	BO-211331	Lev., latch oper.	.25				
		BO-210129	Tapping plate, L. latch brkt.	.15			
10	BO-210118	Door striker	.20				
11	BO-210802	Brkt. striker	.10				
		BO-210192	Reinfmt. lid lamp	.25			
		C-214218	Trim pan., R. seat back, sdn. & bro.	1.60			
		C-213077	Trim pan., R. seat back, club cps.	1.50			
		C-214861	Trim board, R. seat back, cv.	P.O.A.			
		C-214134	Trim board, trunk floor to R. seat tray, B S cp.	.75			

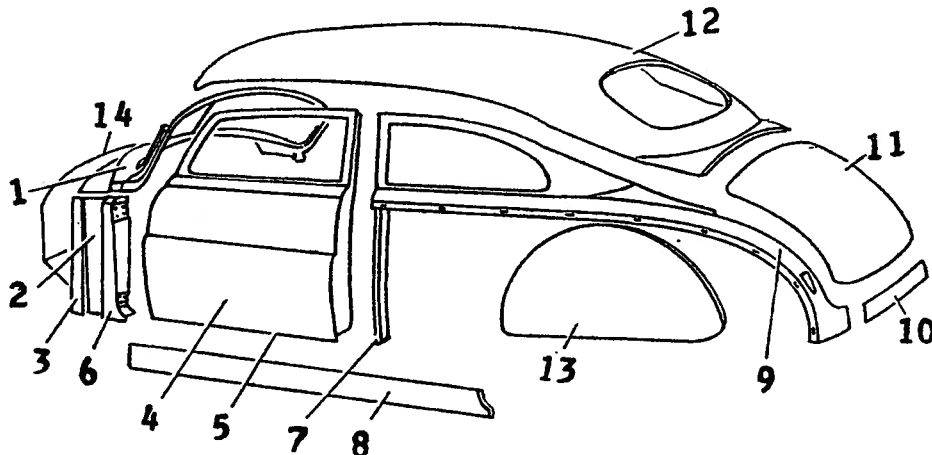


HUDSON 1948 and 1949 BODY PARTS

Super Six and Eight Series 481-483; 491-493. ALL BODY STYLES

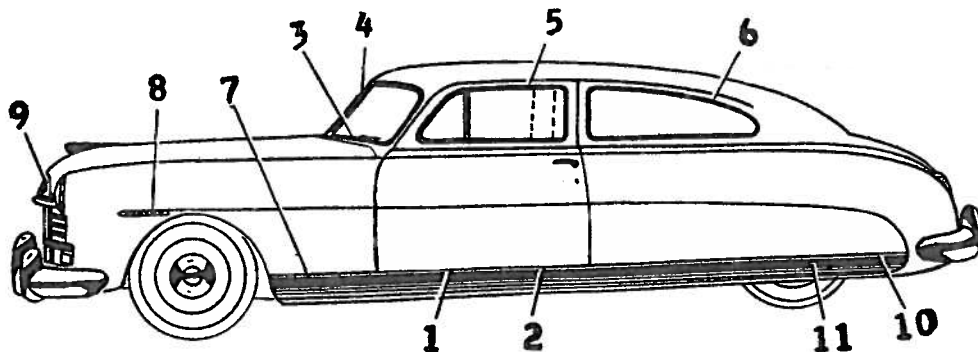
BODY SHEET METAL 2-DOOR BROUGHAM

Item Part No.	Description	Price
1	C-210638—Cowl panel assy.	34.60
2	C-210461—Cowl side pan., L.	3.55
3	BO-210467—Brace, cowl side pan., L.	2.25
4	C-212573—Door assy., L.	48.50
5	C-211743—Door panel, L.	21.00
6	C-210299—Pillar, L.F.	7.00
7	C-213449—Pillar, L.R.	5.75
8	A-211355—Rocker panel, L.	9.65
	A-211145—Exten. rock. pan., L.	1.50
9	C-210201—Qtr. panel, outer L.	10.00
10	C-210290—Rear panel, lower	2.50
11	C-211239—Deck lid	22.25
12	C-210070—Roof panel	60.00
13	C-210110—Whhouse. pan., L. in.	7.65
13	C-210113—Whhouse. pan., L. out.	11.00
14	C-211726—Dash panel assy.



OUTSIDE MOLDINGS 2-DOOR SEDANS

Item Part No.	Description	Price
1	C-211856—Mold., lower front D.	1.06
2	BO-211861—Retainer, door mold.	.10
3	C-210985—Mold., L. wdshd. reveal	2.25
4	BO-210987—Mold., L. center wdshd. reveal	9.40
5	C-213155—Mold. & w/stp., L.F. door reveal	3.80
6	C-21349—Mold. & w/stp., L. qtr. wdow. reveal	3.60
7	BO-211378—Mold., F. fender, lower	.60
8	BZ-210623—Name plate L.F. fender	2.50
9	BO-211513—Ornament, hood, front	13.50
10	C-211381—Mold., R. fender panel	1.75
11	C-213480—Mold., R. wheel cover, lower	1.00



FRONT DOOR VENTILATOR ASSEMBLY

FRICITION TYPE
Not illustrated

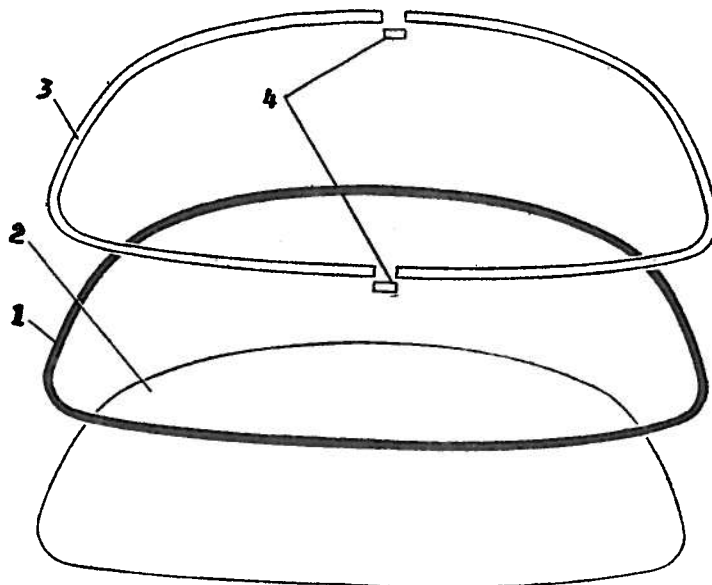
Item Part No.	Description	Price
BO-212205	Ret. & wthstp. L.	15.75
BO-212221	Ret. assy. L.	1.75
BO-212234	Locking plate, vent.	.15
BO-212225	Wthstp., L.	1.75
BO-212239	Upper pivot, L.	.35
BO-212213	Frame & gl., L.	11.40
210873	Glas. vent. P.O.A.	
BO-212215	Frame assy., L.	7.95
BO-212287	Socket, L. upper pivot	.15
BO-136543	Lock. handle, L.	1.00
BO-141841	Shaft & brkt., lock handle	.75
BO-212185	Center bar & wthstp., L.	2.25
BO-212370	Wthstp., center bar	.15
C-212265	Glass run, center bar	.35

REAR QUARTER WINDOW EXCEPT 4 DOOR

Not illustrated

Item Part No.	Description	Price
BO-212828	Support & all., bs. cpe.	.50
BO-211709	Rest chan. & drain trough, L. bro.	2.25
BO-211669	Rest chan. & drain trough, L. club cpe.	1.75
BO-211594	Wthseal., rest chan., bro.	.50
BO-211593	Wthseal., rest chan., cpes.	.80

Item Part No.	Description	Price
C-212077	Glass run assy., L. bro.	2.10
C-212477	Glass run assy., L. club cpe.	2.00
C-212897	Glass run assy., L. bs. cpe.	1.35
BO-211031	Chan., up. L., glass run, bro.	1.50
BO-211557	Chan., up. L., glass run, cpe.	1.25
BO-212367	Chan., low. frt., bro. & club cpe.	1.00
BO-212771	Chan., low. rear, bro.	1.60
BO-212935	Chan. lower L., rear, club cpe., bs. cpe.	1.50
C-212389	Wthstp., inner L., belt, bro.	.60
C-212931	Wthstp., inner L., belt, cpe.	.60
C-212388	Wthstp., outer L., belt, bro.	.60
C-212930	Wthstp., outer L., belt, cpe.	.60
C-214931	Qtr. window assy. L., cv.	P.O.A.
BO-214935	Hinge L., cv.	1.15
BO-214936	Brkt, hinge, cv.	1.75
BO-214966	Wthstp., front cv.
C-215225	Chan. assy., glass run, L., cv.	2.50
BO-215307	Wthstp., belt in., cv.	.25
BO-216732	Wthstp., belt, outer, cv.	.40
BO-212264	Retainer, belt, outer, cv.	.30
BO-211553	Regulator L., qtr., win., bro & club cpe.	4.50
BO-217059	Regulator L., cv. manual control	P.O.A.
BO-215241	Regulator L., cv. hyd.	18.75

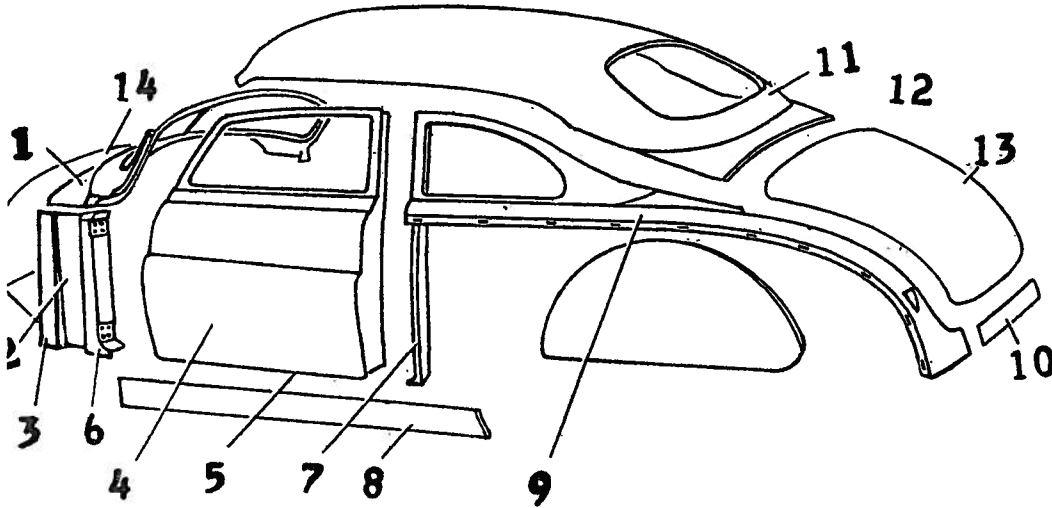


REAR WINDOW ASSEMBLY

Item Part No.	Description	Price
1	BO-210509—Wthstp., glass.	5.60
2	21015—Glass	P.O.A.
3	C-210967—Mold., L. reveal.	1.75
4	BO-148622—Cover, joint rev. mold.	.17

BODY PARTS 1948 and 1949 HUDSON

Super Six and Eight Series 481-483; 491-493. ALL BODY STYLES

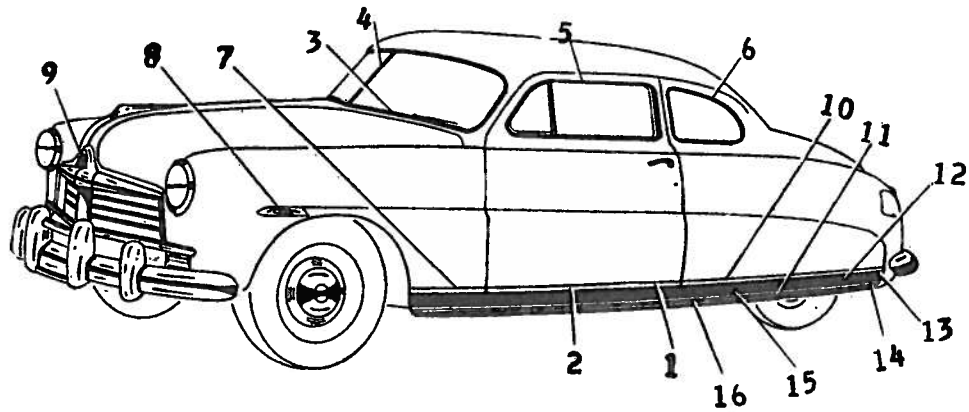


BODY SHEET METAL COUPES

Item	Part No.	Description	Price
1	C-210638	Cowl panel assy.	24.00
2	C-210461	Cowl side panel, L.	3.85
3	BO-210467	Brace, L. cowl side panel	2.25
4	C-212573	Door assy., L.	48.50
5	C-211743	Door pan., L. out.	21.00
6	C-210290	Pillar, L. front...	7.00
7	C-213449	Pillar, L. rear....	5.73
8	A-211355	Rocker panel, L.	9.65
	A-211146	Ext. rocker pan., L.	1.50
9	C-210221	Qtr. panel, out. L.	10.00
10	C-210290	Rear panel, lower	2.50
11	C-210770	Roof panel	57.25
	C-210749	Silencer, roof pan.	1.60
12	C-210110	Whihouse. pan., L. in.	7.65
12	C-210113	Whihouse. pan., out.	11.00
13	C-211248	Deck lid
14	C-211726	Dash panel assy..

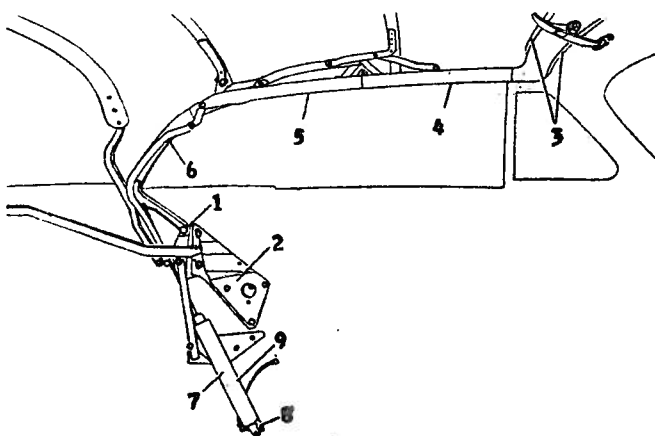
OUTSIDE MOLDINGS COUPES

Part No.	Description	Price
C-211856	Mold., lower door	1.05
BO-211861	Ret. door mold.	.10
C-210985	Mold., L. wdshd. reveal	2.25
BO-210987	Mold., L. center wdshd. reveal	9.40
C-213156	Mold. & w/stp., L.F. door reveal	3.80
C-213123	Mold. & w/stp., L. qtr. window reveal	3.00
BO-211378	Mold., F. fender, lower	.60
BZ-210623	Name plate, L.F. fender	2.50
BO-211513	Ornament, hood, front	13.50
C-211381	Mold., R. fender panel	1.75
C-213480	Mold., R. wheel cover, lower	1.00
C-213480	Mold., whl. cover, up.
BO-213482	Mold., rear rocker panel, up.
BO-213481	Mold., rear rocker panel, low.
C-213478	Mold., rocker panel, up.
C-213653	Mold., rocker panel, low.



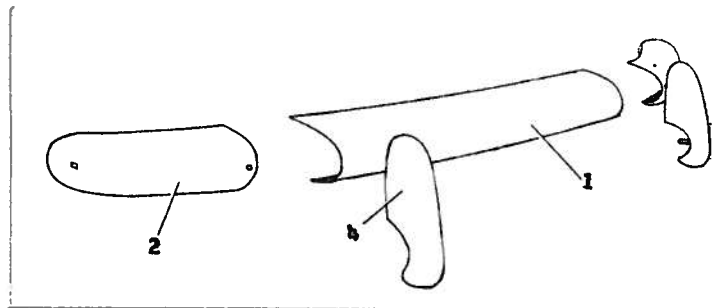
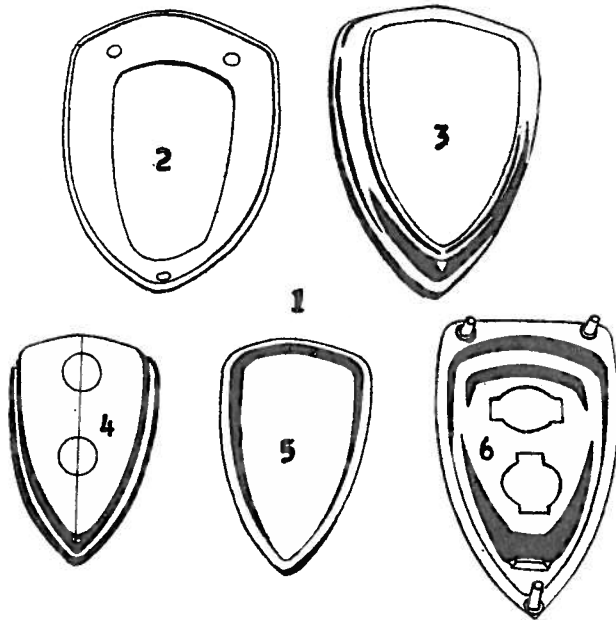
FOLDING TOP

Item	Part No.	Description	Price
	C-213868	Top complete, trimmed	375.00
	C-214039	Top deck & side qtrs.	61.50
	BO-215253	Retain., top belt flap, L.	2.00
	BO-216255	Retain., qtr. flap, L.	.50
	C-213927	Rear curtain & window assy.	35.00
	BO-212825	Frame, inner R. window	6.00
	BO-208949	Frame, outer R. window	4.50
	BO-123764	Wthstp., R. window frame	.50
	BO-214617	Slide fastener, L.R. curtain, black	5.75
	BO-214619	Slide fastener, L.R. curtain, gray	5.75
	BO-214621	Slide fastener, L.R. curtain, red	P.O.A.
	C-215518	Mold., rear curtain, lower	1.75
	C-214038	Dust boot	28.25
	C-214037	Bag, dust boot	P.O.A.
1	BO-215263	Pivot brkt., L.	10.00
2	BO-215265	Sup. L. pivot brkt.	14.00
3	C-213046	Wthstp., frt. hdr. joint, up.	2.75
3	C-213116	Wthstp., frt. hdr. joint, lower	6.75
	BO-212725	Wthstp., wdshd. pillar, L.	1.15
4	BO-216715	Wthstp., L. side rail, front	P.O.A.
5	BO-1-216719	Wthstp., L. side rail, inter.	1.75
6	BO-215549	Wthstp., L. side rail, rear	2.45
	BO-215565	Ret., side rail wthstp., L. front	.85
	BO-215567	Ret., side rail, L. inter.	.05
	BO-215569	Ret., side rail, L. rear	.95
7	BO-215577	Housing, hyd. power unit	1.75
8	BO-215578	Bottom housing	.20
	BO-212933	Sup., hyd. unit	.65
	BO-215597	Brkt., hyd. sup.	.45
	BO-302003	Hyd. power unit assy.	70.00
	SP-162016	Fluid power unit	.40
	BO-302007	Valve assy. top control	7.50
	BO-302051	Swivel, valve oper. lever	.15
	BO-302049	Rod, cont. valve oper.	.50
	BO-302042	Guide, rod oper. valve	.65
	BO-302042	Ret., mount nut	.10
	BZ-301014	Mount, bezel, oper. rod	.20
	BO-302047	Knob, oper. rod	.35
9	BO-214970	Cyl. & yoke op.	13.73
	BO-214672	Yoke oper. cyl.	.95
	BO-215223	Brkt., L. oper. cyl.	3.35
	BO-302037	Switch, window regulator, multiple	9.25
	BO-302039	Switch, window regulator, single	2.35
	BO-302038	Plate, reg. sw., multiple	1.65
	BO-302040	Plate, reg. sw., single	.90



HUDSON 1948 and 1949 BODY PARTS

Super Six and Eight Series 481-483; 491-493. ALL BODY STYLES



REAR LAMP ASSEMBLY

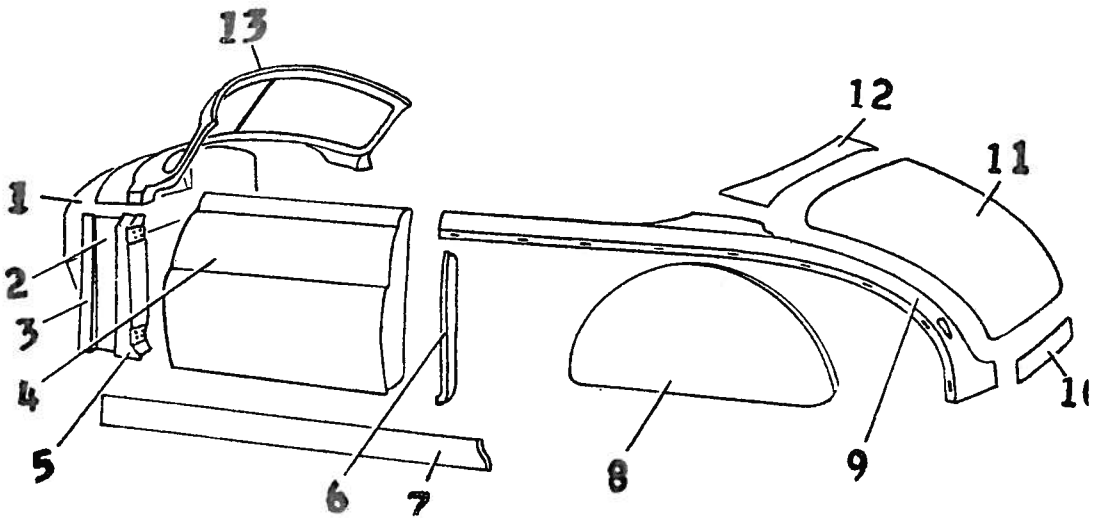
Item Part No.	Description	Price
1	BO-216351—Tail lamp assy., L.	4.75
2	BO-211538—Pad—tail lamp..	.40
3	BO-216353—Bezel assy., L..	4.00
4	BO-211536—Lens	1.40
5	BO-211537—Gasket, lens45
6	BO-211535—Base plate, L....	.75

REAR BUMPER ASSEMBLY

Item Part No.	Description	Price
1	C-213522—Center face bar..	18.00
2	C-213521—Outer face bar, L.	12.00
	BZ-213519—Spacer, out. face bar
3	BZ-213541—Guard, L.	9.50
	BZ-213519—Spacer guard

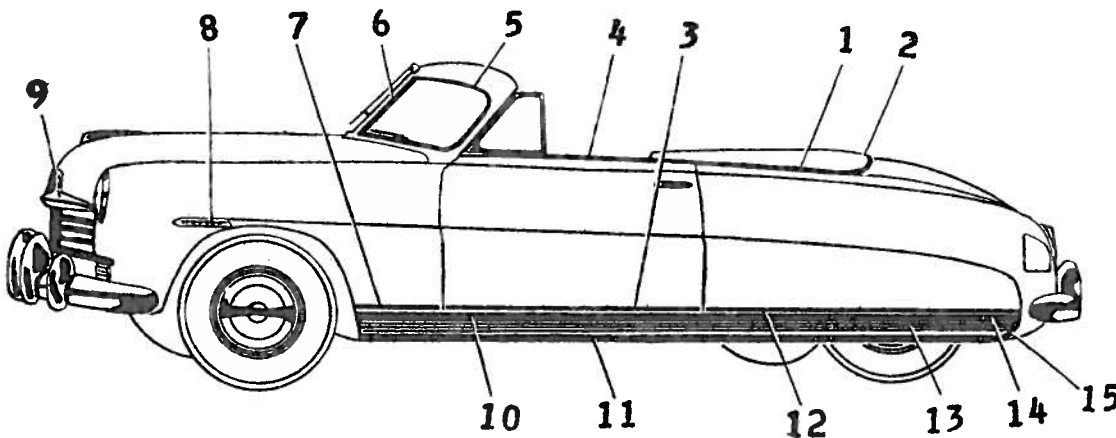
BODY SHEET METAL CONVERTIBLE

Item Part No.	Description	Price
1	C-211728—Dash, panel assy.	9.50
2	C-210638—Panel, cowl side, L., with mech. wdw. ctrl	3.00
3	C-211263—Panel, cowl side, L., hyd. control.....	3.55
3	BO-211117—Brace, L., cowl side panel	2.25
4	C-212593—Door, L., with mech. control	60.00
4	C-212597—Dr., L., with hyd. control	80.00
4	C-211745—Door pan., L. out.	21.00
5	C-215123—Pillar, L. front...	7.50
6	C-213429—Pillar, L. rear ...	6.50
7	A-211355—Rocker panel, L..	9.65
	A-211145—Ext. rocker panel, L.	1.50
8	C-210110—Wheelhouse pan., L. in.	7.65
8	C-210113—Wheelhouse pan., L. out.	11.00
9	C-210225—Qtr. panel, L. out.	10.75
10	C-210290—Rear panel, lower	2.50
11	C-211246—Deck lid	32.50
12	C-211442—Rear panel, up.	13.50
13	C-210542—Roof, front panel	13.50
13	C-210833—Roof, front finish panel	13.50



OUTSIDE MOLDINGS CONVERTIBLE

Item Part No.	Description	Price
1	BO-215319—Mold., L. qtr. belt	5.00
2	C-215273—Mold., L. rear belt	3.00
	BO-213333—Cov., rear mold. joint	P.O.
3	C-211856—Mold., lower door panel	1.00
	BO-211861—Ret., door mold.	..
4	C-215221—Mold., L. door belt	7.00
5	C-210983—Mold., L. wdshd. reveal	2.00
6	BO-210987—Mold., L. center wdshd. reveal
7	BO-211378—Mold., F. fender, lower
8	BZ-210623—Name plate, L.F. fender	2.00
9	BO-211513—Ornament, hood, front	13.00
10	C-213651—Mold., up. rocker panel, L.
11	C-213653—Mold., low. rocker panel, L.
12	C-211381—Mold., R. fender panel	1.00
13	C-213480—Mold., R. wheel cover, lower	1.00
14	BO-213481—Mold., low. rear rocker panel
15	BO-213482—Mold., up. rear	..

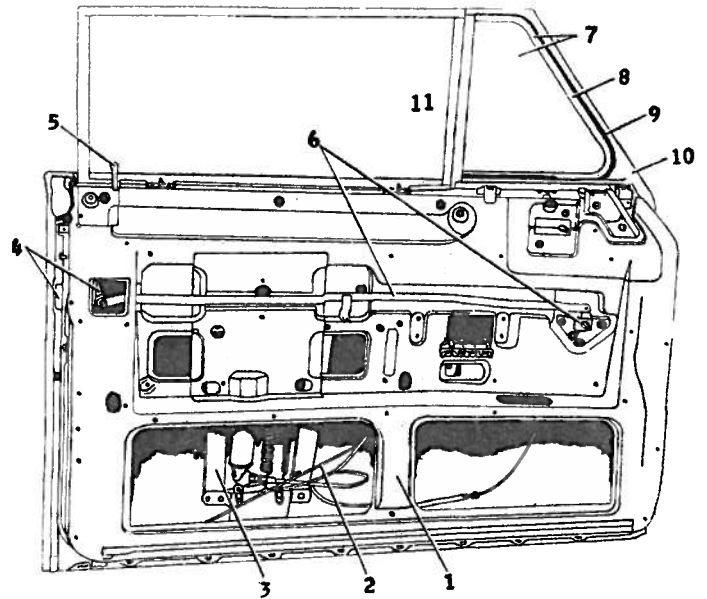


BODY PARTS 1948 and 1949 HUDSON

Super Six and Eight Series 481-483; 491-493. ALL BODY STYLES

DOOR ASSEMBLY CONVERTIBLE

Item Part No.	Description	Price	Item Part No.	Description	Price
1	C-212593—Door assy. L., manual control	60.00	BO-211974	Retainer, tapping plate	.15
1	C-212597—Door assy. L., hyd. control	60.00	BO-210858	Safety lock comp.	2.20
2	C-215176—Tie rod	.35	6	BO-215347—Rem. control, L.	1.50
	BO-215177—Sleeve, tie rod	.20	BO-211984	Sleeve assy. rem. C.	.15
	BO-214913—Brkt., L. up. tie rod	.15	C-212377	Wthstp., door, frt. L.	3.00
	BO-214914—Brkt., L. low. tie rod	.15	BO-213737	Wthstp., door belt, L.	.85
3	BO-214981—Reg. assy., hyd., L.	C-213713	Wthstp., dr., bot.	.95
3	BO-211725—Reg. assy., manual, L.	BO-213742	Wthstp., dr., F.	1.00
	BO-213067—Hinge, L. up. body half	1.50	C-216167	Wthstp., L. door panel, bottom	3.25
	BO-213068—Hinge, L. up. door half	1.50	BO-215271	Wthstp., L. dr., rear	1.75
	BO-212867—Hinge, L. low. body half	1.50	BO-211779	Handle, outer.	1.00
	BO-212868—Hinge, low. dr. half	1.50	7	BO-214953—Glass & frame assy., L.	9.75
	BO-211997—Tapping plate, upper hinge, door	.50	214957	Glass	P.O.A.
	BO-211998—Tapping plate, lower hinge, door	.30	8	BO-214951—Frame assy., L. upper pivot	3.75
	BO-210240—Tapping plate, upper hinge, pillar	.50	BO-212769	Socket assy., L.	.65
	BO-210234—Tapping plate, lower hinge, pillar	.35	9	BO-214955—Wthstp., L.	1.50
	BO-210752—Check arm assy.	.50	BO-214956	Guide, gl. frame	.05
	BO-210754—Gde., check arm	.30	BO-108510	Shim, up. pivot, thin	.01
	BO-211096—Brkt. check arm	.20	BO-108511	Shim, up. pivot, thick	.01
4	BO-212241—Lock assy., L.	4.75	10	BO-215175—Cradle, L.	11.25
5	BO-211995—Knob, lock	.20	11	C-214963—Center bar & wthstp., L.	3.50
	BO-211789—Striker L. lock	.55	BO-214990	Wthstp., center bar	.60
	BO-211977—Tapping plate, striker L.	.35	BO-214964	Glass run, center bar	.45



FRONT FRAME ASSEMBLY

Not illustrated

Part No.	Description	Price	Part No.	Description	Price	Part No.	Description	Price	Part No.	Description	Price
C-300380	Frame assy.	82.50	BZ-302158	Reinfmt. assy., steering gear, L.	1.25	BZ-300788	Brkt., L., frame to dash	.35	C-301897	Cross member #1	3.80
BZ-300607	Anchor brt., F. frame to B. frame	.25	BZ-300721	Brkt., frt. susp. arm	.95	BZ-300387	Brkt., brake tube #2 C. M.	.25	BZ-300388	Brkt., rod mount chan.	.60
C-301396	Side member, L.	38.90	BZ-300671	Brkt., L., F., eng. mount.	1.85	BX-300678	Extension, side m. for Jack	.50	BZ-301309	Brkt., center grille sup.	.30
BZ-300377	Upper arm sup. & sprg. seat, L.	5.25							C-300276	Cross member #2	16.76
									C-300363	Cross member #3	12.95

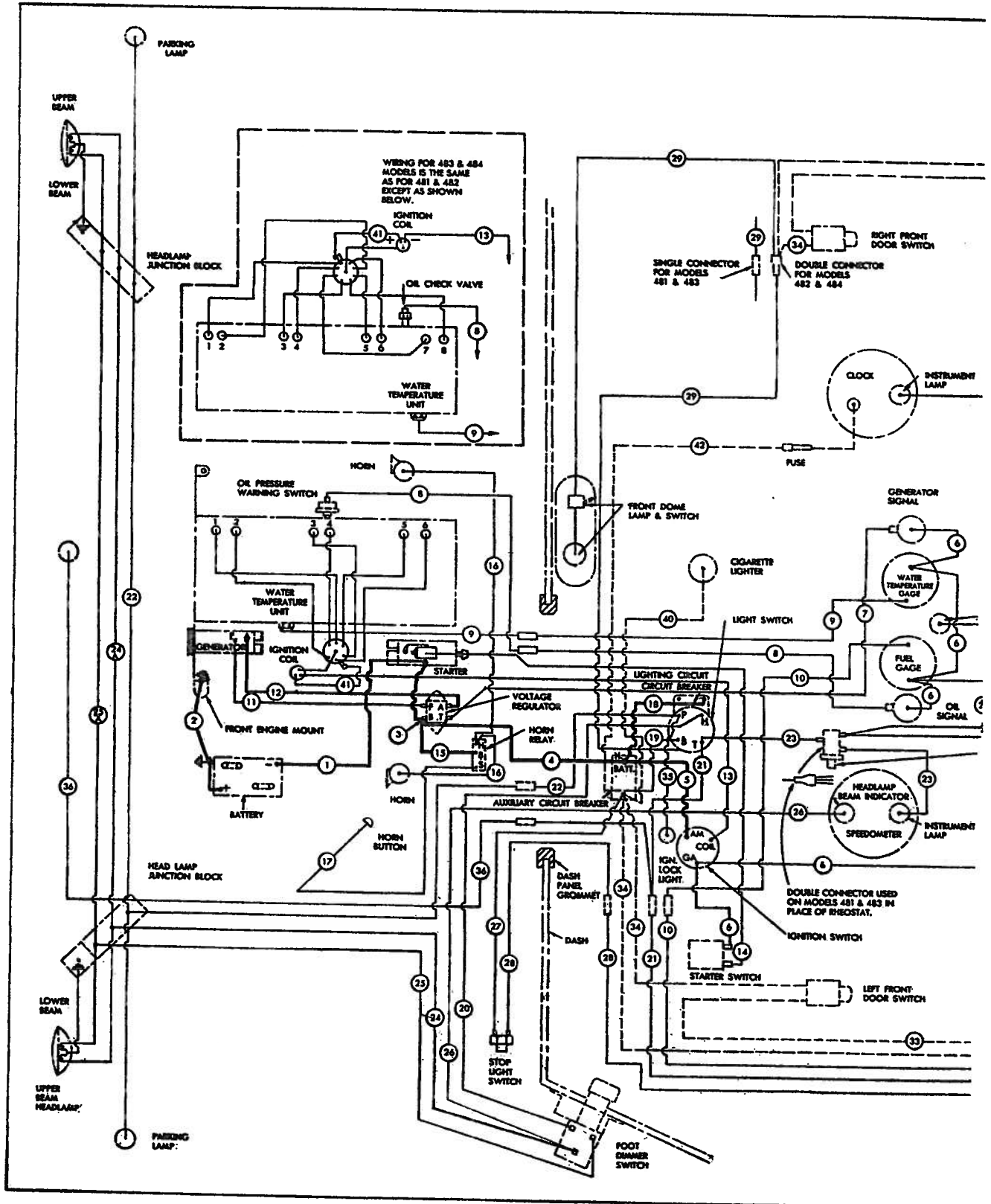
REAR FRAME ASSEMBLY

Not illustrated

Part No.	Description	Price	Part No.	Description	Price	Part No.	Description	Price	Part No.	Description	Price
C-210027	Side member L., outer front	7.75	BZ-210028	Spacer, side member	.15	BZ-211702	Brkt., #4 c.m. to s.m.	.25	BZ-152911	Rear mount. R. sprg.	.60
C-210332	Side member, out. rear	1.25	BZ-211288	Seal, side m. to r. fender	1.00	C-211897	#5 c. member & stringer, L.	2.40	BZ-210841	Brkt., L., R. sprg., mount.	.25
C-210003	Side member L., inner F., ex. cv.	10.76	BO-206198	Seal, side m. to rocker pan.	.15	C-211691	Stringer, #4 to #6 c.m.	1.50	BZ-210830	Brkt. R. sprg., front eye outer	.75
C-210929	Side member L., inner F., cv.	8.75	BO-211321	Seal, side m. to r. fender hole	.10	C-210030	#6 crossmember.	16.30	BZ-210831	Brkt., R. sprg., front eye inner	.65
C-210341	Side member L., inner rear	6.00	BZ-211713	Brkt., L., #3 c. m. to s. m.	3.00	C-210080	#7 crossmember.	4.25	BZ-211131	Brkt., rear stab.	2.00
C-210343	Exten., side m., L. R.	.85	C-210013	#4 cross member assy.	11.00	C-210077	Rear c.m. assy, inner	1.30	BZ-211913	Brkt., L. rear jack exten. side	1.25
						C-210075	Rear c.m., outer.	1.75	BZ-211917	Brkt., L. rear jack exten. center	.60
						C-210087	Suspension mbr., L., r. sprg.	18.00			

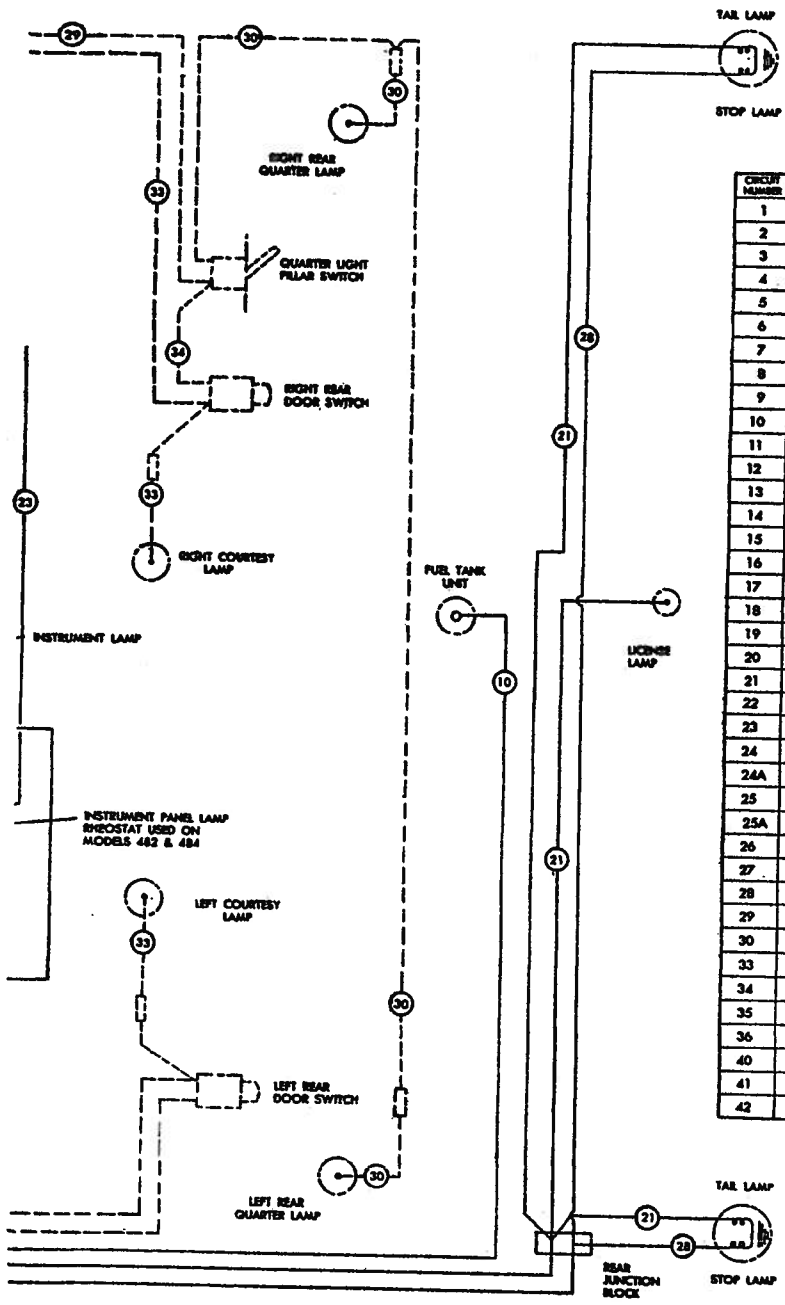
HUDSON 1948 and 1949 WIRING

Super Six and Eight Series 481-483; 491-493. ALL BODY STYLES



WIRING 1948 and 1949 HUDSON

Super Six and Eight Series 481-483; 491-493. ALL BODY STYLES

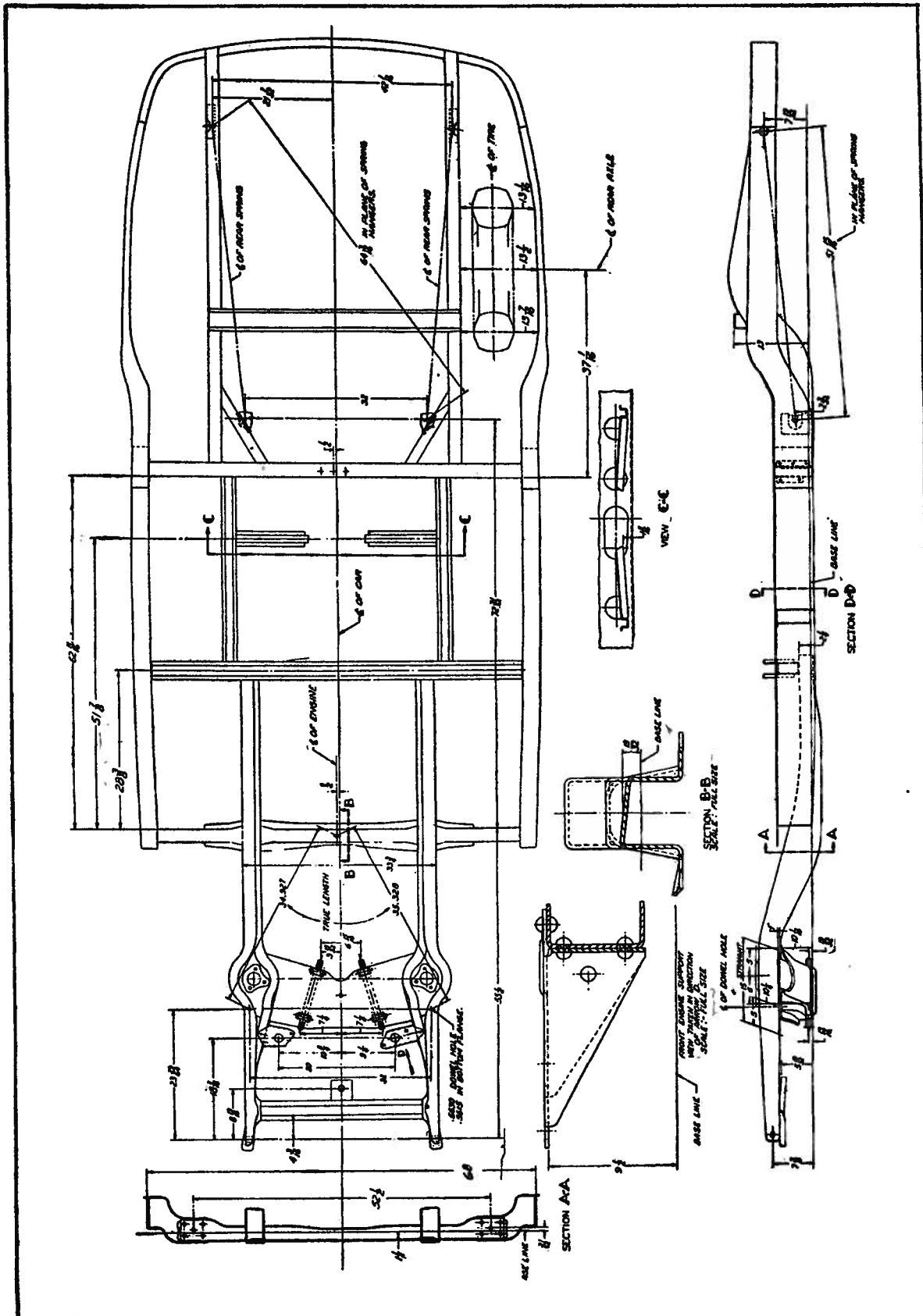


CIRCUIT NUMBER	WIRE SIZE	COLOR	CIRCUIT NAME
1	1	BLACK	BATTERY TO STARTER SOLENOID CABLE
2	1	BRAIDED STRAP	BATTERY GROUND
3	10	BLACK	STARTER SOL. TO CHARGE REG. "B" TERM.
4	10	BLACK	MAIN CIRCUIT BREAKER FEED
5	14	BLACK	IGNITION SWITCH FEED
6	16	BLACK & RED	SIGNAL LAMPS, GAGES, AND STARTER SW. FEED
7	16	GREEN	GENERATOR SIGNAL
8	16	BLACK	OIL PRESSURE SIGNAL
9	16	ORANGE	WATER TEMPERATURE GAGE
10	16	BROWN	FUEL GAGE
11	16	WHITE	GEN. "F" TO CHARGE REG. "F" TERM.
12	12	BLACK	GEN. "A" TERM. TO CHARGE REG. "A" TERM.
13	14	BLACK	IGNITION SWITCH TO COIL
14	16	BLACK	STARTER SWITCH TO STARTER SOL.
15	12	WHITE	HORN RELAY FEED
16	12	YELLOW	HORN FEED
17	14	BLACK	HORN BUTTON WIRE
18	12	BLACK	LIGHT SWITCH FEED
19	14	WHITE	LIGHT SWITCH FEED FUSED
20	12	YELLOW	FOOT DIMMER SWITCH FEED
21	16	RED	TAIL AND LICENSE LAMP
22	16	WHITE	PARKING LAMP
23	16	RED	INSTRUMENT PANEL LAMPS
24	12	GREEN	HEADLAMP FEED, UPPER BEAM
24A	14	GREEN	HEADLAMP CONNECTOR, UPPER BEAM
25	12	RED	HEADLAMP FEED, LOWER BEAM
25A	14	RED	HEADLAMP CONNECTOR, LOWER BEAM
26	16	BLUE	HEADLAMP BEAM INDICATOR
27	16	GREEN	STOP LIGHT SW. FEED
28	16	GREEN	STOP LAMP
29	16	WHITE	DOME AND QUARTER LIGHT SW. FEED
30	16	BLACK	QUARTER LAMP
33	16	BLACK	COURTESY LAMP
34	16	WHITE	COURTESY LIGHT SW. FEED
35	16	WHITE	IGNITION SW. LAMP
36	16	RED	HOOD LAMP
40	12	GREEN	CIGARETTE LIGHTER
41	14	BLACK	IGNITION COIL + TO DIST. (PRIMARY)
42	16	BLACK	CLOCK WIRE (FURNISHED WITH CLOCK)

_____ ALL MODELS
 - - - - - 482 AND 484 ONLY
 - - - - - OUTLINE OF PARTS

HUDSON 1948 and 1949 BODY PARTS

Super Six and Eight Series 481-483; 491-493. ALL BODY STYLES



FLAT RATE 1948 and 1949 HUDSON

Super Six and Eight Series 481-483; 491-493. ALL BODY STYLES

Job No.	Chilton Labor Price	Chilton Job No.	Chilton Labor Price	Chilton Job No.	Chilton Labor Price	Chilton Job No.	Chilton Labor Price	Chilton Job No.	Chilton Labor Price	Chilton Job No.	Chilton Labor Price	Chilton Job No.	Chilton Labor Price	Chilton Job No.	Chilton Labor Price
A		A—continued		A—continued		B—continued		C—continued		D		E—continued		E—continued	
1	2.00	7	2.00	20x	10.00	9	3.25	3	19.00	1	3.00	2	25.00	12	25.00
2	1.75	8	1.25			10	1.75	4	1.75	1a	2.50	3	20.00	13	20.00
3	3.80	9	3.80			11	3.25	5	4.00	2	1.75	4	20.00	14	110.00
4	15.50	10	3.00	B		12	3.75	6	2.00	3	2.00	5	100.00	15	4.50
5	2.00	11	8.50	1	8.50	13	4.00	7	4.00	4	10.00	6	18.50	16	2.00
6	2.00	12	4.50	1a	8.00	14	3.00	8	4.00	7	15.00	7	15.50	17	2.00
7	5.00	13	4.50	2	28.00	15	1.25	9	4.00	7x	15.00	8	12.00	18	4.00
8	10.00	14	1.75	3	20.00			10	3.25	15	7.00	18	12.00	19	12.00
9	3.00	15	7.50	4	1.75	C		11	3.25	20	3.00	19	12.00		
10	4.00	16	2.00	5	4.00	1	7.50	12	3.75			8	75.00		
11	3.00	17	2.00	6	2.00	1a	5.00	13	3.25	E		9	77.00		
12	4.00	18	12.00	7	2.00	2	26.00	14	3.25	1	55.00	10	77.00	F	
13	6.00	19	7.50	8	4.00			15	1.25			11	57.00	1	7.50
14	16.00	20	7.50									1a	4.50	14	3.00

STEERING GEOMETRY

1948-1949

CAMBER: 1/2 to 1 1/2 degree.

CASTER: 1/2 to 1 1/2 degree. ...

TOE-IN: 1/32 plus or minus 1/32.

STEERING PIN INCLINATION: 3 degree 36 minutes.

ADJUSTMENT

Caster and camber are both controlled by an eccentric pin in the upper control arm outer end.

