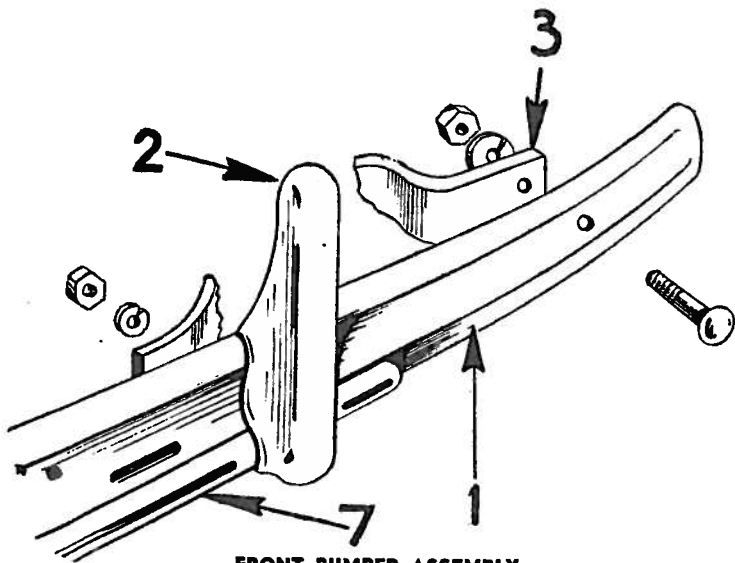


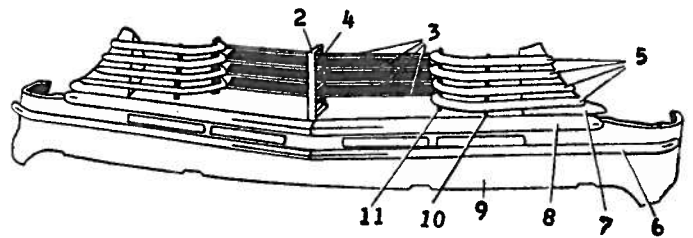
HUDSON 1946 and 1947 BODY PARTS

Super Six and Eight Series 51-171; 53-173. ALL BODY STYLES



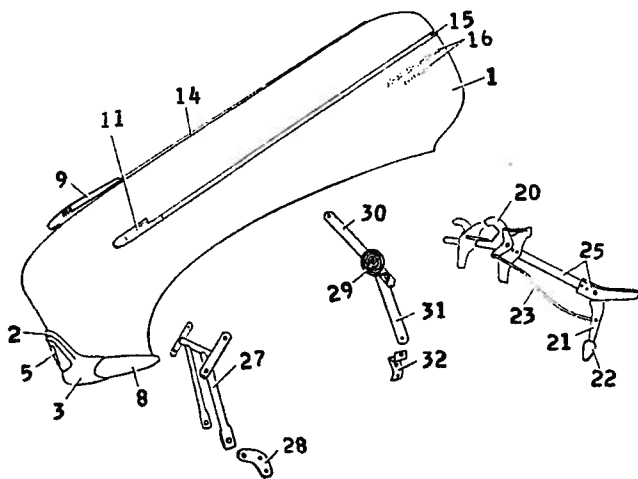
FRONT BUMPER ASSEMBLY

Item Part No.	Description	Price	Item Part No.	Description	Price
1	C-206951—Outside bar, 1946 P.O.A.		3	C-206953—Bar, frame, L....	4.95
1	C-206704—Outside bar, 1947	22.50	7	BZ-204966—Brkt. & clamp llo. plate	.65
2	BZ-208818—Guard, L.	9.75			



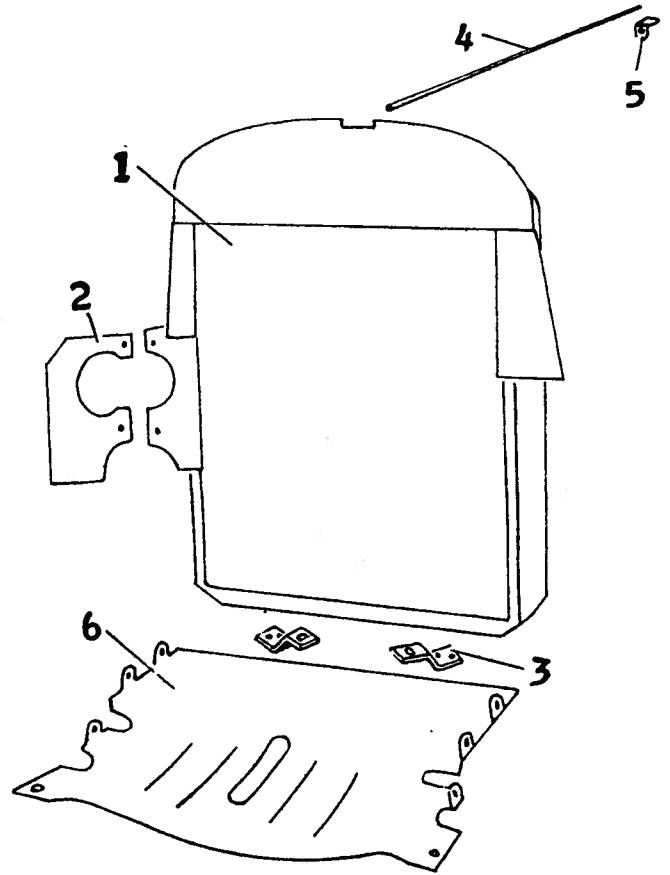
GRILLE ASSEMBLY

Item Part No.	Description	Price	Item Part No.	Description	Price
2	BO-208720—Vane, grille ctr.	4.75	6	C-208724—Mold., low. splash apron	3.5
3	BO-208714—Mold, grille75	7	BZ-208737—Panel assy., L., grille mold.	1.3
4	BO-208721—Plate, ctr. vane	.50	8	C-208723—Mold., up. splash, L.	
5	BO-208710—Mold. No. 1, grille side	2.60	9	A-209653—Splash apron & ext., L.	
5	BO-208711—Mold. No. 2, grille mold. side	2.60	10	BZ-208718—Sup., out. L....	
5	BO-208712—Mold. No. 3, grille side	2.55	11	BO-208717—Sup., in. L.	
5	BO-208713—Mold. No. 4, grille side	2.55			



HOOD ASSEMBLY

Item Part No.	Description	Price	Item Part No.	Description	Price
1	C-208744—Hood assy.	76.50	20	BO-203238—Cross shaft lock	1.95
2	BO-208752—Ornament, hood F.	12.50	21	BO-136378—Handle, lock50
3	BO-208754—Housing, F. ornament	5.20	22	BO-209990—Knob, handle50
	BZ-208757—Reflector, ornam. lamp	.75	23	BO-134479—Link, lock handle	.40
5	BO-211514—Lens, ornament	5.45		BO-134489—Weatherseal, lock	.10
	BO-208789—Gaskets, orna. lens	.60	25	BO-134486—Brkt. & tie bar, lock	.60
	BO-170406—Terminal, F. ornament wire	.03		BO-140233—Lock brkt., R. relnfmt.	.25
	BO-153823—Connector, orna. wire	.17	27	C-206372—Hinge arms & cross shaft	5.45
8	C-208741—Louver, L.	6.00	28	BO-209368—Support brkt., hinge shaft	.46
9	BO-208768—Ornament top.	4.00	29	BO-141751—Hood support assy. L.	1.00
11	BO-208751—Ornament side L.	1.85	30	BO-141752—Support arm, upper	.25
14	C-208762—Mold. top	2.35	31	BO-141753—Support arm, lower	.25
15	C-208765—Mold. hood, half L.	1.60	32	BO-141755—Brkt., support arm, low.	.20
16	BO-205328—Name plate, side 1st type	1.44		BO-142289—Bumper, hood to cowl	.20
16	BO-209877—Name plate, side 2nd type	1.50		BZ-130535—Shim, hood to cowl	.35
17	BO-208771—Name plate, side R., 51.	.75		BO-147849—Silencer, hood- relnfmt. R.	P.O.A.
17	BO-209862—Name plate, side R., 53.	.86			

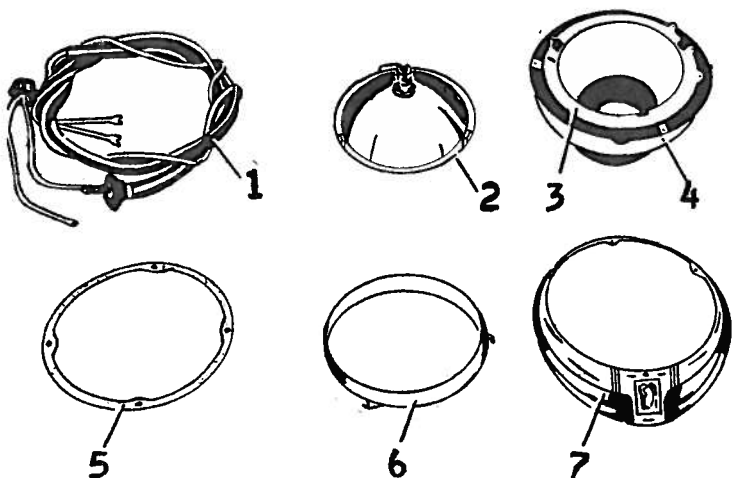


RADIATOR ASSEMBLY

Item Part No.	Description	Price	Item Part No.	Description	Price
1	C-164099—Core assy. 51....	59.00	4	C-162488—Stay rod, 53....	.5
1	C-166235—Core assy. 53....	80.00	5	BO-146024—Dash brkt., stay rod	.2
2	BZ-160267—Baffle & brkt., core L.	.35	6	A-146378—Shield, tank lower 51,171	2.4
3	BZ-189769—Plate, rad. mounting	.17	6	A-146379—Shield, tank lower 53,173	2.1
4	C-162487—Stay rod, 51....	.50			

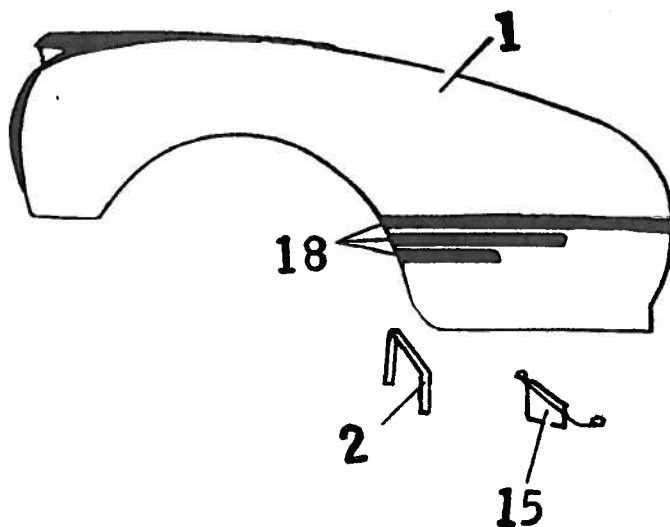
BODY PARTS 1946 and 1947 HUDSON

Super Six and Eight Series 51-171; 53-173. ALL BODY STYLES



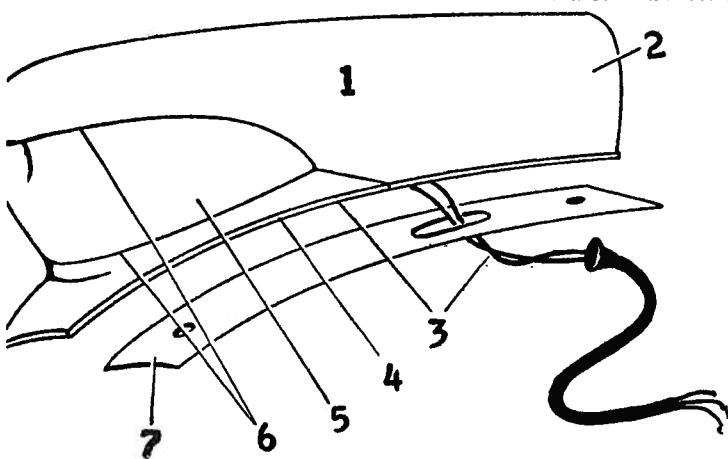
HEADLAMP ASSEMBLY

Item Part No.	Description	Price	Item Part No.	Description	Price
BO-206251	Headlamp assy.		3 BO-141855	Housing—sealed beam	1.75
L		15.00	4 BO-200360	Housing, hdlp.	3.55
1 BO-200253	Wires & connector, L.	2.13	5 BO-142072	Gasket, housing	.25
2 HA-141850	Sealed beam unit	1.30	6 BO-206263	Retainer, S. beam	2.15
			7 BO-206499	Rim, lens	3.25



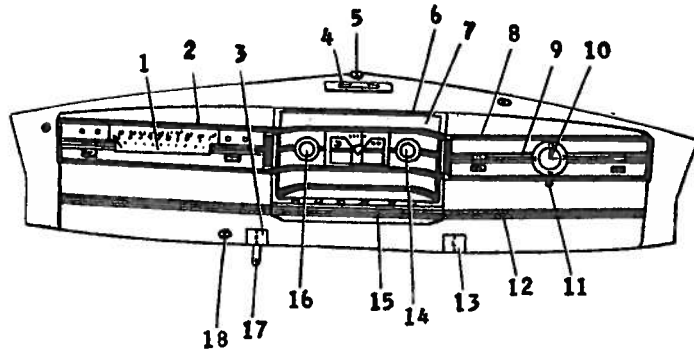
FRONT FENDER ASSEMBLY

Item Part No.	Description	Price	Item Part No.	Description	Price
1 A-209135	Fender assy., L., no holes	50.30	BZ-147065	Bonnet gde., R.. P.O.A.	
1 A-209137	Fender assy., L., with holes op.	50.30	BZ-140757	Brkt., suspension cover, L.	.20
2 C-146597	Brace rod, F. to F..L.	.52	BZ-140758	Brace, susp. brkt.	.17
BZ-94749	Clamp, brace rod	.20	BZ-140789	Brkt., dust shield	.17
BZ-94744	Plate, brace clamp	P.O.A.	BZ-14963	Spacer, frame brkt., R.	.02
BZ-146595	Reinfmt., L., shield	.23	BZ-140438	Brkt., bat. rear	.23
BO-71389	Spacer, fender	.02	BZ-203190	Deflector, fender L.	pr.
BZ-140291	Apron sup. assy. F.F.	.75	BZ-204855	Welt, lower	3.00
BZ-140469	Bonnet guide, F.	.25	18 C-204301	Mold, L. upper	1.55
			18 BO-204303	Mold, L., center	1.25
			18 BO-204305	Mold, L., lower	1.00



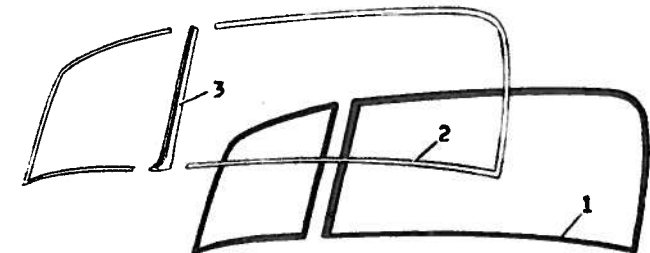
PARKING LAMP ASSEMBLY

Item Part No.	Description	Price	Item Part No.	Description	Price
1 BO-206515	Lamp assy., L.	10.50	4 BO-204535	Base & socket, L.	2.76
2 BO-206521	Housing, L., lamp	2.50	5 BO-148658	Lens, lamp	1.00
3 BO-204519	Base, socket & wires, L.	4.25	6 BO-148659	Gasket, lens rear	.06
			6 BO-148660	Gasket, lens low.	.06
			7 BO-148661	Pad, lamp	.45



INSTRUMENT PANEL

Item Part No.	Description	Price	Item Part No.	Description	Price
1 BO-209012	Dial, speedometer red letters	3.25	8 BO-204182	Bezel, clock side	2.95
2 BO-204182	Bezel, speed. side	2.95	9 BO-209022	Dial, clock, red letters	3.25
BO-209030	Dial & bezel, clock side	11.00	10 BO-209092	Clock assy. mech., std.	8.90
3 BO-204846	Push button starter sw.	.45	10 BO-1-206095	Clock assy. elect. opt.	P.O.A.
4 BO-208846	Ash receiver, grained	2.00	10 BO-1-166683	Clock assy. elect. opt.	.40
4 BO-204501	Ash receiver, painted	.92	11 BO-204815	Knob, mech. or elect.	.25
5 BO-204175	Control, w/s cleaner 1st type, no radio	1.00	13 BO-204847	Push button, lights	.45
5 BO-208810	Control, w/s cleaner, with radio	.92	14 BO-209936	Tuning knob	1.45
5 BO-208810	Control, w/s cleaner, no radio	.92	15 BO-204885	Mold., center	1.10
6 BO-208805	Grille, inst. pan.	5.75	16 BO-208937	Volume knob	.40
7 BO-208806	Screen, inst. grille	2.00	17 BO-204411	Handle, vent. oper.	.40
			18 BO-164297	Bezel, ign. lock case	.20

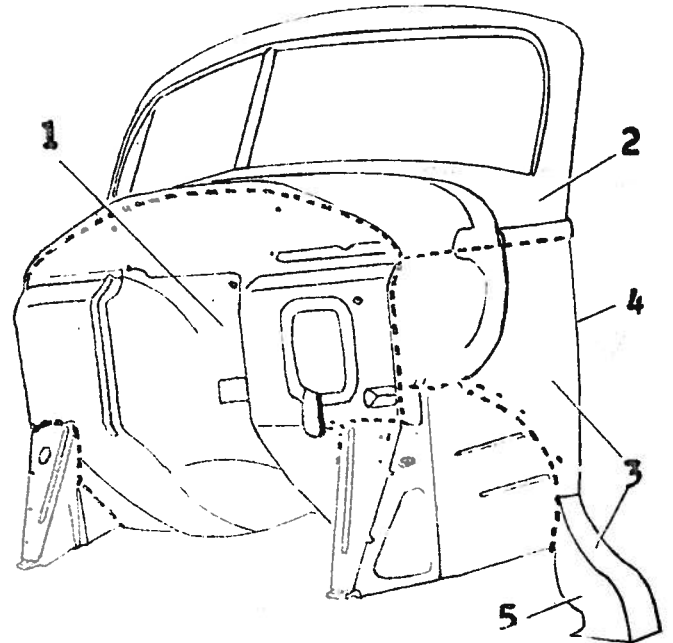
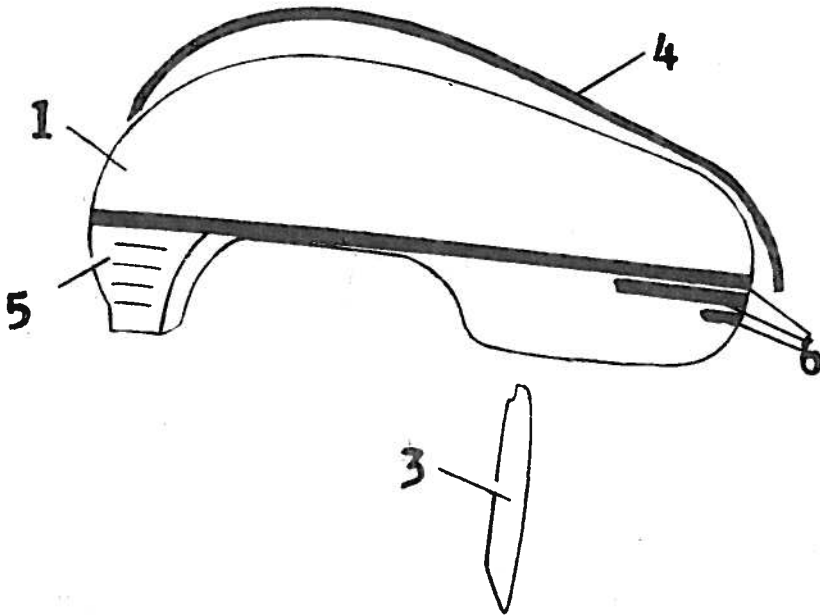


WINDSHIELD ASSEMBLY

Item Part No.	Description	Price	Item Part No.	Description	Price
1 BO-142043	Wthstp L, ex. cv.	3.75	4 BO-140969	Center bar out. cv.	3.00
C-142031	Mold., L., ex. cab. cv.		BO-141784	Shim, center bar	.10
C-142048	Mold., L., cv.		C-146131	Header assy. ex. cv.	2.50
BO-142255	Wthstp L, cv.	2.76	C-122244	Header assy. cv.	11.00
BO-140964	Center bar out. ex. cv.	3.25			

HUDSON 1946 and 1947 BODY PARTS

Super Six and Eight Series 51-171; 53-173. ALL BODY STYLES



REAR FENDER ASSEMBLY

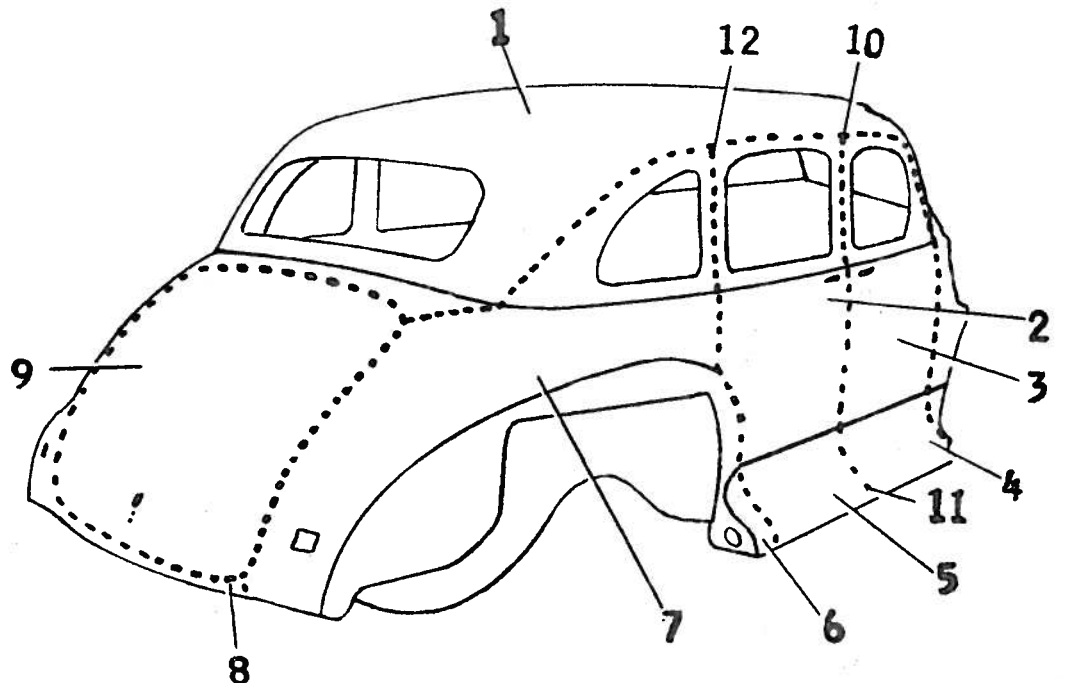
Item Part No.	Description	Price	Item Part No.	Description	Price
1 A-20889	Fender L.	19.75	6 C-204307	Trim mold. up. L.	3.00
3 C-146851	Stone guard & bump. L.	1.25	6 C-204309	Trim mold. cent. L.	1.25
4 C-204857	Welt, up. rubber	.60	6 C-208841	Trim mold. low. L.	1.00
6 BZ-204651	Stone protector L.	2.25			

FRONT END SHEET METAL

Item Part No.	Description	Price	Item Part No.	Description	Price
1 C-203028	Panel dash	P.O.A.	3 C-203539	Panel & exten. cowl side, L.	3.75
2 C-146008	Panel front end, ex. cv.	16.50	4 C-146399	Reinfmt. cowl hinge	1.36
2 C-203542	Panel, front end, cv.	5 C-203531	Exten. assy.

BODY SHEET METAL 4 DOOR SEDAN

Item Part No.	Description	Price
1 C-146061	Roof panel	60.65
2 C-203689	Panel door L.R. less holes	15.00
3 C-203685	Panel door L.F. less holes	15.00
3 C-203671	Panel door L.F. with holes	15.00
4 C-203041	Exten. L.F. door panel	4.00
5 C-203177	Exten. L.R. door panel	4.00
6 C-203139	Exten. L. qtr. panel	2.95
7 C-208916	Qtr. panel L., less holes	35.00
7 C-208917	Qtr. panel L., with holes	P.O.A.
8 C-146934	Panel rear lower.	3.25
9 C-206761	Deck lid	26.85
10 C-203839	Pillar L., center	8.58
11 C-203098	Exten. center pillar L.	1.25
12 C-146279	Pillar L., rear	1.58



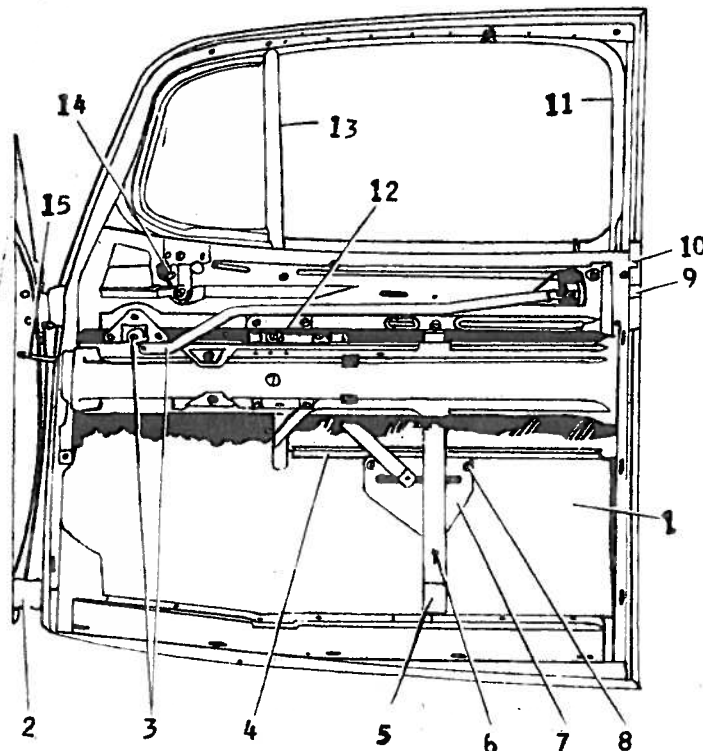
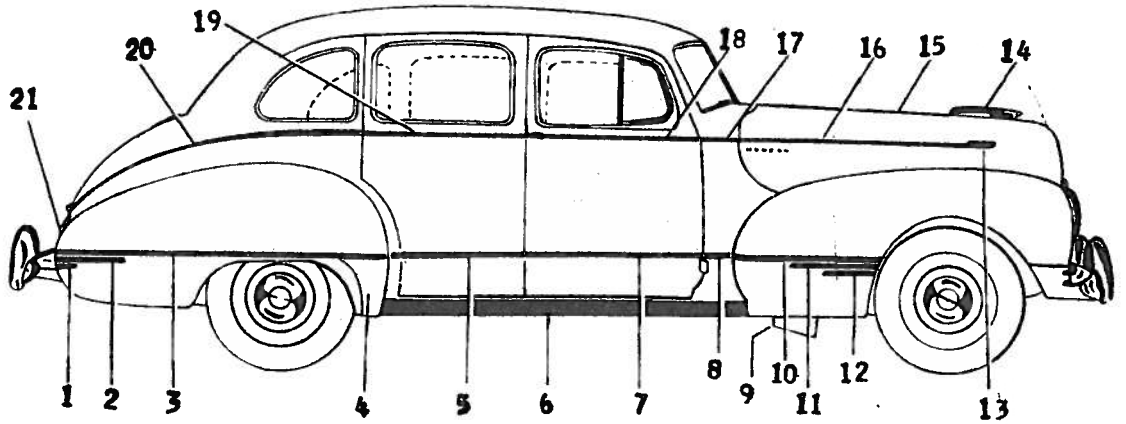
BODY PARTS 1946 and 1947 HUDSON

Super Six and Eight Series 51-171; 53-173. ALL BODY STYLES

OUTSIDE MOLDINGS

4 DOOR SEDAN

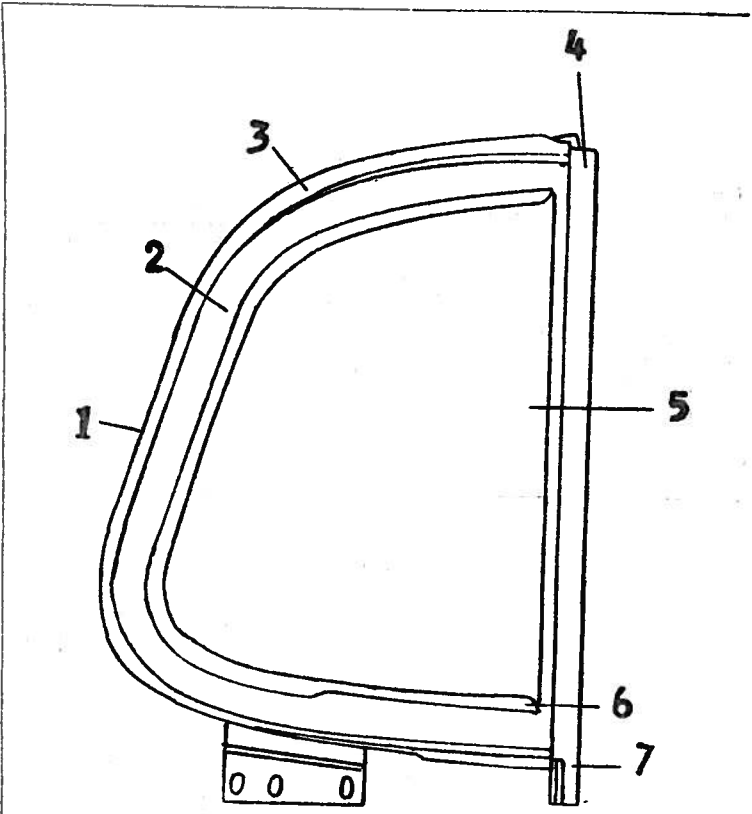
Item	Part No.	Description	Price
1	C-208841	Mold. low L.	1.00
2	C-204309	Mold. center L.	1.25
3	C-204307	Mold. upper L.	3.00
4	BZ-204551	Stone protector L.	2.25
5	C-205252	Mold. low R.D.	1.00
6	C-205345	Mold. L., safety step	8.91
7	C-205251	Mold. low F.D.	1.21
8	BO-205255	Mold. L. cowl pan. low	1.00
9	BZ-203195	Stone deflector L.	1.50
10	C-204301	Mold. up. L.	1.55
11	BO-204303	Mold. L. center	1.25
12	BO-204305	Mold. L. lower	1.00
13	BO-208751	Ornament L., side F.	1.85
14	BO-208768	Ornament, top	.25
15	C-208762	Mold. hood top	2.35
16	C-208765	Mold. hood belt L.	1.60
17	BO-148201	Mold. L. cowl side	1.00
18	C-148225	Mold. L. F.D.	2.25
19	C-204373	Mold. L, R.D.	1.75
20	C-208657	Mold. L, qtr. panel	3.00
21	BO-208784	Exten. qtr. panel	1.25



FRONT DOOR ASSEMBLY

Item	Part No.	Description	Price
1	C-206411	Door L, no holes 4D.	50.00
1	C-206403	Door L, no holes Brougham	50.00
1	C-206407	Door L, with holes Brougham	P.O.A.
1	C-206423	Door L, no holes, 3 cpe-club cpe	60.00
1	C-206423	Door L, no holes 3 cpe-club cpe	50.00
2	BO-208559	Hinge L, up door half	1.00
2	BO-203563	Hinge L, low body half	1.00
3	BO-205271	Remote control L.F. exc. sdn	1.25
3	BO-205273	Remote control L.F. sdn	1.25
4	BO-141361	Rest channel L, sdn	1.25

Item	Part No.	Description	Price
4	BO-141363	Rest channel L, exc. sdn	1.25
5	BO-141351	Track assy. F door	.85
6	BO-141353	Stop, window track	.15
7	BO-141355	Roller guide L, door glass	.50
8	BO-18484	Bolt guide to sup. brkt	.02
9	BO-204733	Lock assy. L	3.60
10	BO-141734	Dovetail, male	.35
11	C-126988	Glass run 1st type 4D.	1.04
11	C-209710	Glass run 2nd type 4D.	1.00
11	C-209714	Glass run 1st type Bro.	1.25
11	C-209714	Glass run 2nd type Bro.	1.25



DOOR VENTILATOR ASSEMBLY

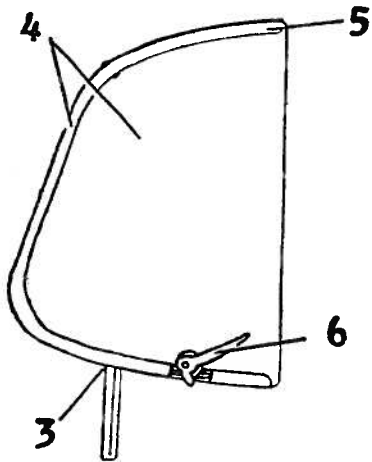
CRANK TYPE

Item	Part No.	Description	Price
1	BO-141907	Retainer, wthstp L ex. conv.	15.00
2	BO-142253	Wthstp L, ex. conv.	2.65
3	BO-140611	Retainer assy L ex. conv.	P.O.A.
4	BO-134231	Center bar & wthstp L ex. conv.	1.55
11	C-126990	Glass run 1st type Coupes ex. conv.	1.15
11	C-209714	Glass run 2nd type, Coupes ex. conv.	1.25
12	BO-141343	Regulator assy. L	2.35
13	BO-134231	Center bar & wthstp ex. conv.	1.55

Item	Part No.	Description	Price
5	BO-134225	Glass & frame L ex. conv.	9.25
6	BO-134223	Frame L, vent. glass ex. conv.	4.50
7	C-140809	Glass run, cent. bar ex. conv.	.60
14	BO-141341	Regulator L, vent.	2.50
15	BO-147495	Check, door	.50
	BO-134231	Center bar L, & wthstp vent.	1.55
	BO-142251	Wthstp L, vent.	2.65

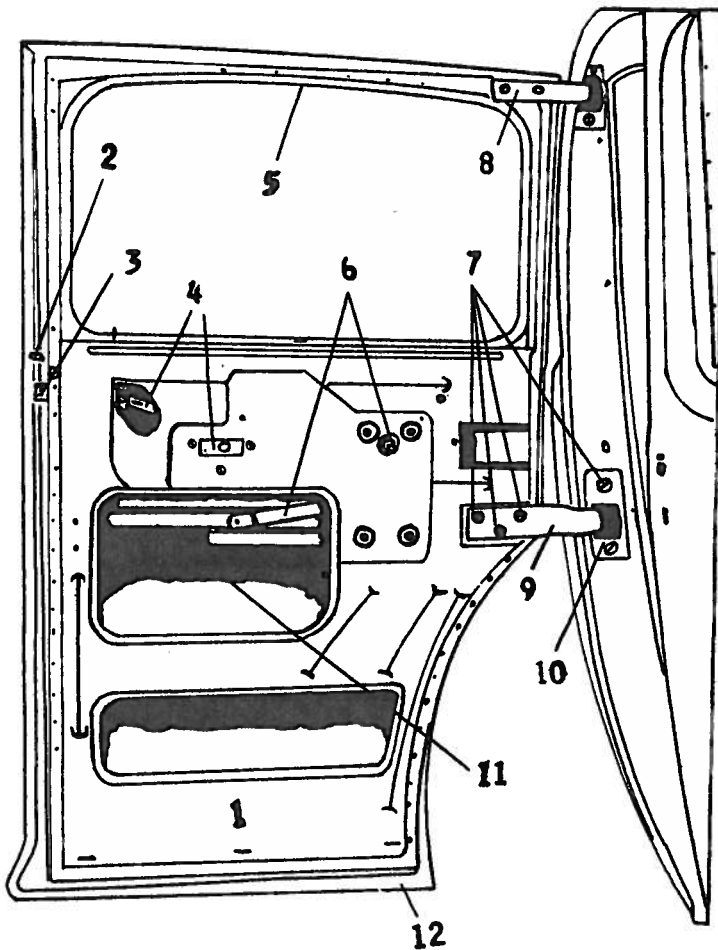
HUDSON 1946 and 1947 BODY PARTS

Super Six and Eight Series 51-171; 53-173. ALL BODY STYLES



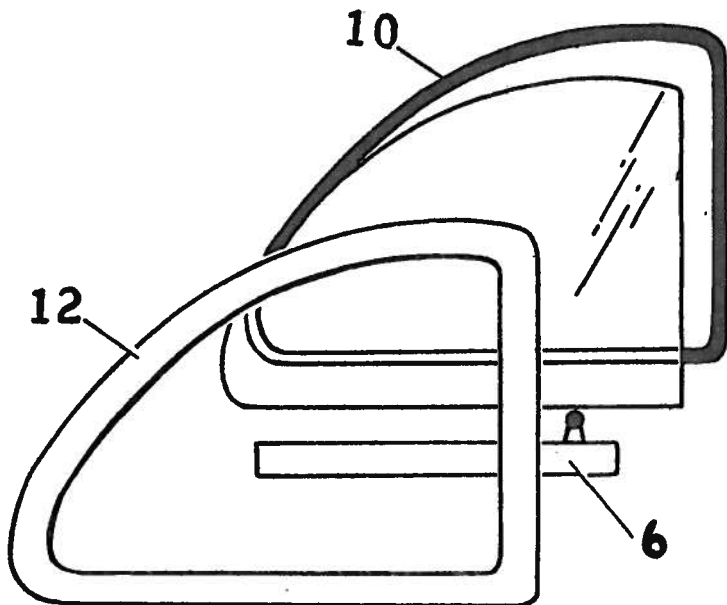
DOOR VENTILATOR ASSEMBLY FRICTION TYPE

Item Part No.	Description	Price
BO-141903	Wing & wthstp ret. L ex. conv.	15.00
BO-142251	Wthstp L, vent. ex. conv.	2.65
3 BO-108510	Shim, thin pivot ex. conv.	.01
3 BO-108511	Shim, thick pivot ex. conv.	.01
4 BO-140875	Glass & frame assy L ex. conv.	12.80
5 BO-141843	Frame L, ex. conv.	5.75
6 BO-136543	Handle, vent. locking ex. conv.	1.00
BO-134231	Center bar & wthstp L, ex. conv.	1.55
BO-126414	Wthstp, center bar	.46
C-140809	Glass run center bar	.50



REAR DOOR ASSEMBLY 4 DOOR SEDAN

Item Part No.	Description	Price	Item Part No.	Description	Price
1 C-203963	Door assy. L, less holes	50.00	7 BO-170644	Bolts, lower hinge	.06
1 C-203967	Door assy. L, with holes	33.35	8 BO-147571	Hinge, up. L, door half	.75
2 C-141734	Dovetail	.35	8 BO-204569	Hinge, up. L, body half	.75
3 BO-204731	Lock assy. L	3.60	9 BO-147581	Hinge, low. L, door half	1.25
4 BO-205277	Remote control L	.75	10 BO-203577	Hinge & plate, body half L	1.50
5 C-112657	Glass run 1st type	1.55	11 BO-120199	Rest chan. & guide L	.50
5 C-209711	Glass run 2nd type	1.50	12 C-202668	Wthstp assy. door bottom	1.84
6 BO-148607	Regulator assy. L	2.25			



REAR QUARTER WINDOW

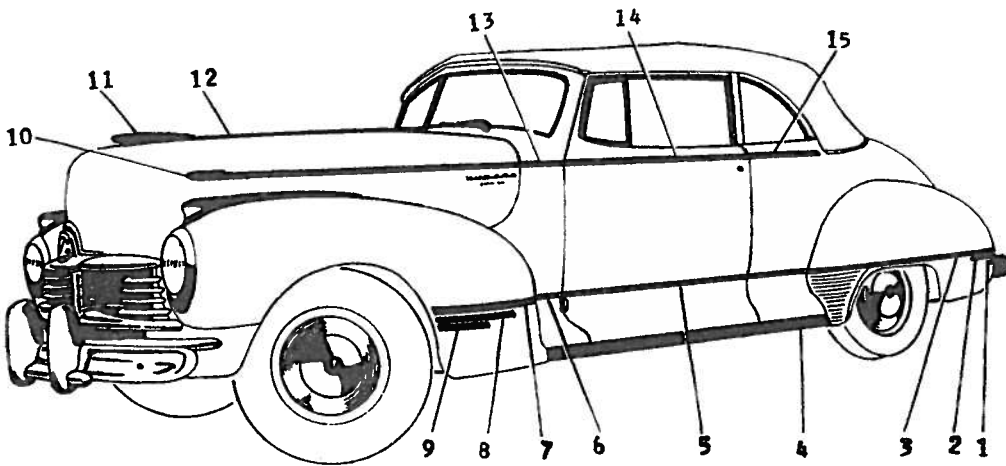
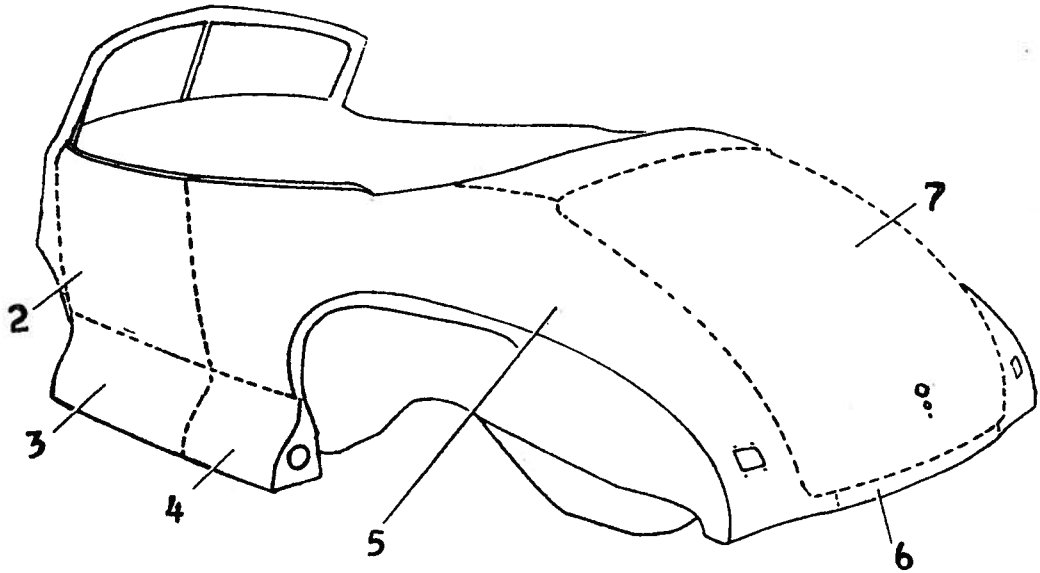
Item Part No.	Description	Price	Item Part No.	Description	Price
C-146575	Frame assy. L, Bro.	5.25	C-209713	Glass run, 2nd type	1.55
C-204203	Frame assy. sdn.	3.25	BO-147149	Wthstp, inner, Bro.	.65
BO-204052	Bracket up. qtr frame	.06	10 BO-204231	Wthstp, inner, Sdn.	1.00
BO-134311	Plate assy. frame	P.O.A.	10 BO-147790	Wthstp, coupes	2.50
BO-204707	Retainer assy. L wthstp	.58	BO-109223	Cushion, Sdn. & Bro.	.00
6 BO-204705	Rest chan. & reg. assy. L, sdn. & club ope.	2.00	12 C-208627	Mold. & strip L, Bro.	5.40
6 BO-146568	Rest chan. assy. Bro.	1.00	12 C-208629	Mold. & strip L, sdn.	4.90
C-147209	Reinfmt. L, opening	.75	BO-146585	Regulator L, Bro.	2.90
C-145571	Glass run, 1st type	1.55	BO-204229	Regulator, panel assy., L, sdn.	1.70

BODY PARTS 1946 and 1947 HUDSON

Super Six and Eight Series 51-171; 53-173. ALL BODY STYLES

BODY SHEET METAL CONVERTIBLE COUPE

Item	Part No.	Description	Price
2	C-203673	Panel L, door B1	15.00
3	C-203047	Exten. panel L, door	4.50
4	C-203135	Exten. qts. panel L	3.75
5	C-205211	Qtr. panel L	40.00
6	C-146934	Panel rear lower	3.25
7	C-206763	Deck lid	29.00

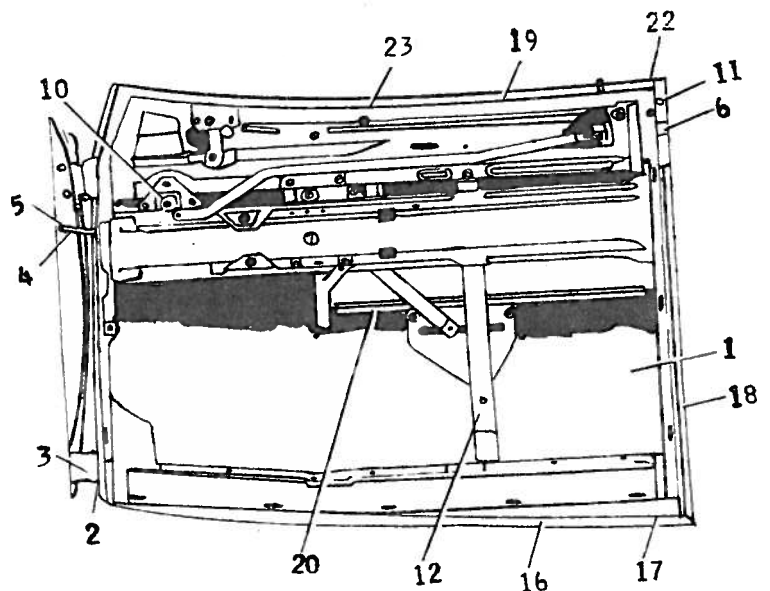


OUTSIDE MOLDINGS CONVERTIBLE COUPE

Item	Part No.	Description	Price
1	C-208841	Mold. L lower	1.00
2	C-204309	Mold. L center	1.25
3	C-204307	Mold. L upper	3.00
4	C-205345	Mold. L safety step	8.91
5	C-205250	Mold. door lower	1.75
6	BO-205255	Mold. L cowl lower	1.00
7	C-204301	Mold. L upper	1.55
8	BO-204303	Mold. L center	1.25
9	BO-204305	Mold. L lower	1.00
10	BO-208751	Ornament, hood side F	1.85
11	BO-208768	Ornament, hood top	4.00
12	BO-208762	Mold. hood top	2.35
13	BO-148201	Mold. L, F, end panel	1.00
14	C-148225	Mold. L up. door belt	2.25
15	C-148249	Mold. qtr. pan. belt	.85

DOOR ASSEMBLY CONVERTIBLE

Item	Part No.	Description	Price
1	C-206443	Door assy. L	50.00
2	BO-203559	Hinge L, up. door half	1.00
2	BO-203555	Hinge & cover plate L, body half	1.50
2	BO-203565	Hinge L, lower door half	1.00
2	BO-203563	Hinge L, lower body half	1.00
3	BO-203557	Friction sprg up L-low R	.30
4	BO-147495	Check, door	.50
5	BO-147491	Bumper, door check	.20
6	BO-204733	Lock assy. L	3.60
	BO-148345	Striker, lock L	1.35
	BO-200181	Spacer plate, striker	.23
	BO-140175	Tapping plate, striker	.23
10	BO-205275	Remote control assy. L	1.25
11	BO-141735	Dovetail, male	.60
12	BO-148993	Track assy. L door	3.50
	BO-148994	Support, track	.50
	BO-148998	Brkt. track sup.	.20
	BO-116924	Brace, sup. to reg.	.17
16	BO-200736	Wthstp, door lower open.	P.O.A.
17	C-202667	Wthstp, door bottom	.95
18	C-209245	Wthstp, door extension	1.25
19	C-148983	Frame, door glass	P.O.A.
20	C-109317	Rest chan. & brace L	1.25
22	BO-146693	Chan. L, glass run	2.25
23	BO-142155	Wthstp L, inner D. belt	.63



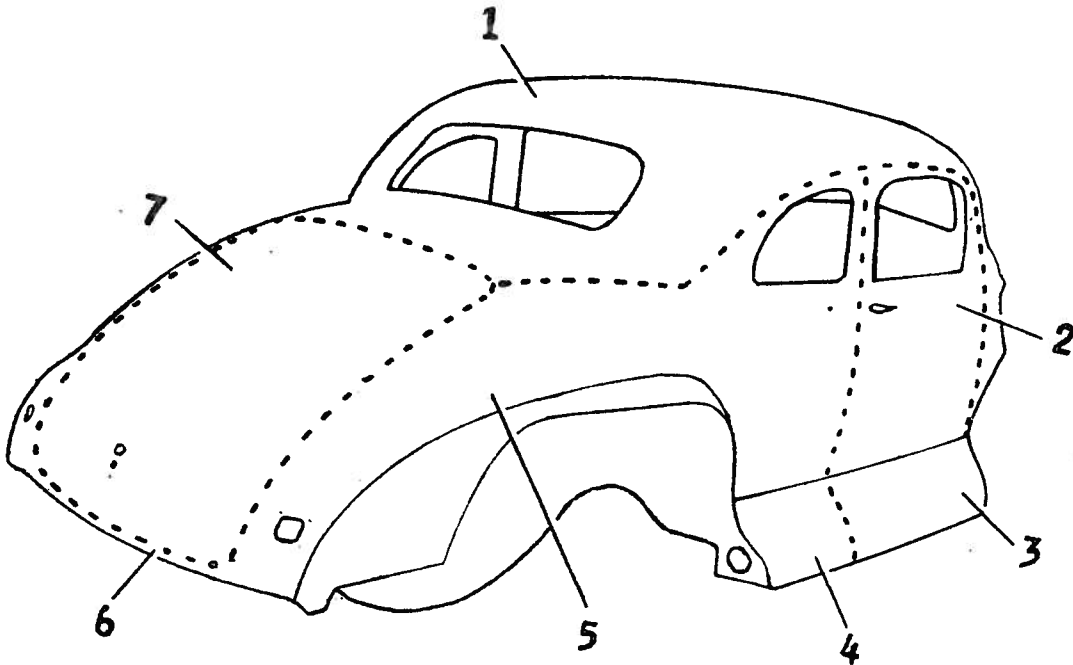
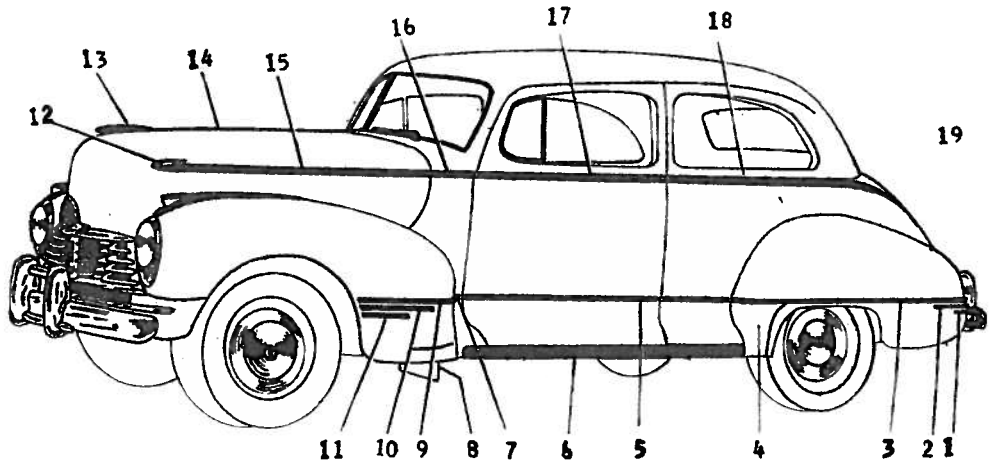
HUDSON 1946 and 1947 BODY PARTS

Super Six and Eight Series 51-171; 53-173. ALL BODY STYLES

OUTSIDE MOLDINGS

BROUGHAM 2 DOOR SEDAN

Item	Part No.	Description	Price
1	C-208841	Mold. lower L ...	1.00
2	C-204309	Mold. center L ..	1.25
3	C-204307	Mold. upper L ..	3.00
4	C-204551	Stone protector L	2.25
5	C-205250	Mold. door lower L	1.75
6	C-205345	Mold. L, stainless	8.91
7	BO-205255	Mold. L, cowl side low.	1.00
8	BZ-203195	Stone deflector L	1.50
9	C-204301	Mold. L, upper ..	1.55
10	BO-204303	Mold. L, center	1.25
11	BO-204305	Mold. L, lower	1.00
12	BO-208751	Ornament, L, side F	1.85
13	BO-208768	Ornament, hood top	4.00
14	C-208762	Mold. hood top ..	2.35
15	C-208765	Mold. L, hood belt	1.60
16	BO-148201	Mold. L, front end pan. up.	1.00
17	C-148225	Mold. L, door belt	2.25
18	C-208655	Mold. L, qtr. pan. belt	3.75
19	C-208784	Exten. qtr. pan. mold.	1.25



BODY SHEET METAL

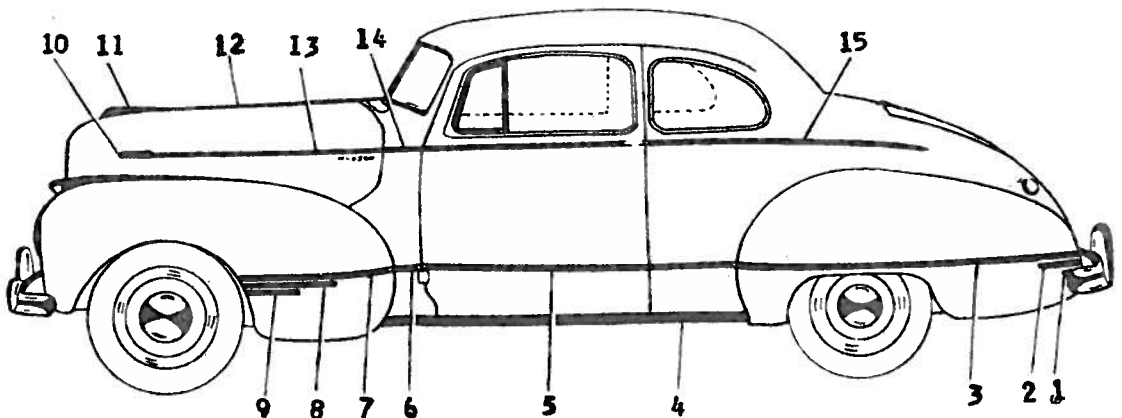
3 PASSENGER & CLUB COUPE

Item	Part No.	Description	Price
1	C-148066	Panel, roof	52.86
2	C-203663	Panel L, door less holes	15.00
2	C-206629	Panel L, door less holes	15.00
3	C-203047	Extension L, door panel	4.50
4	C-203135	Exten. qtr. panel L	3.75
5	C-205169	Qtr. panel L, less holes, club cpe.	31.75
5	C-205181	Qtr. panel L, less holes, 3 cpe.	31.75
5	C-205163	Qtr. panel L, with holes, 3 cpe.	31.75
5	C-205171	Qtr. panel L, with holes, club cpe.	31.75
6	C-148934	Panel rear end low.	3.25
7	C-206763	Deck lid	28.00

OUTSIDE MOLDINGS

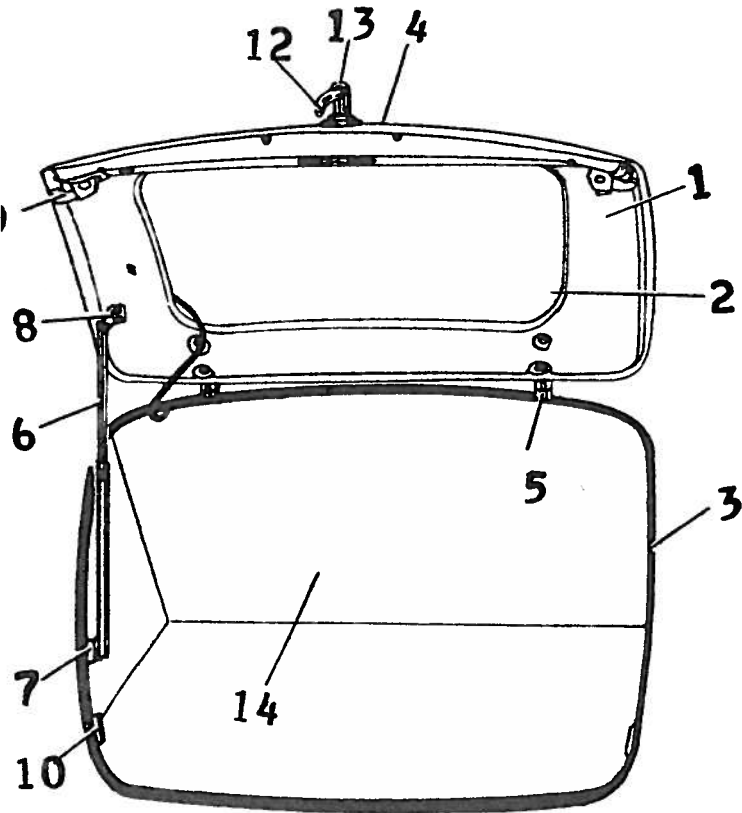
3 PASSENGER & CLUB COUPE

Item	Part No.	Description	Price
1	C-208841	Mold. lower L ...	1.00
2	C-204309	Mold. center L ..	1.25
3	C-204307	Mold. upper L ..	3.00
4	C-205345	Mold. L, safety step	8.91
5	C-205250	Mold. door lower L	1.75
6	BO-205255	Mold. L, cowl pan. low.	1.00
7	C-204301	Mold. L, upper ..	1.55
8	BO-204303	Mold. L, center	1.25
9	BO-204305	Mold. L, lower	1.00
10	BO-208751	Ornament, hood side F	1.85
11	BO-208768	Ornament, hood top	4.00
12	C-208762	Mold. hood top ..	2.35
13	C-208765	Mold. L, hood belt	1.60
14	BO-148201	Mold. L, F. end belt	1.00
15	C-148209	Mold. L, qtr. pan. belt	1.75



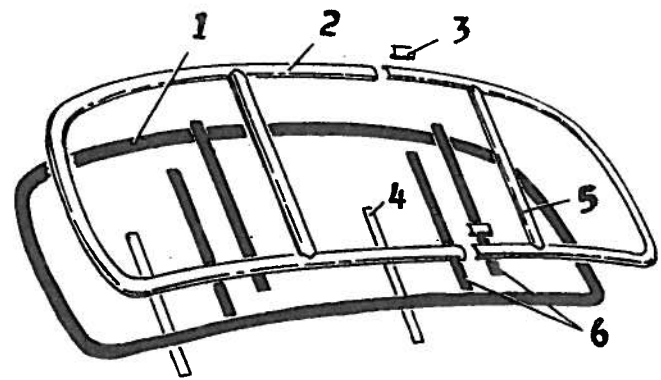
BODY PARTS 1946 and 1947 HUDSON

Super Six and Eight Series 51-171; 53-173. ALL BODY STYLES



DECK LIDS

Item Part No.	Description	Price	Item Part No.	Description	Price
1 C-206761	Door assy. bro-sdn.	26.85	7 BO-147728	Brkt. door check low	.28
1 C-206763	Door assy. (coupes)	29.00	8 BO-83191	Tapping plate, check arm	.17
2 C-202184	Silencer, 24x19, bro-sdn	.35	9 BO-203767	Lever & brkts L latch	.60
2 C-202135	Silencer, 32x19, coupes	.46	10 BO-147763	Brkt. latch clamp	.17
2 C-202198	Silencer, 24x13, bro-sdn	.46	11 BO-147759	Link-latch, 51 bro-sdn	.63
2 C-202199	Silencer, 32x13, coupes	P.O.A.	11 BO-147760	Link-latch, club cpe.	.63
3 BO-203072	Wthstp, bro-sdn lid	2.50	12 BO-147761	Lever latch oper.	.17
3 BO-203073	Wthstp, lid coupes	2.75	13 BO-206197	Cyl. & keys, lid seat bro-sdn	1.46
4 BO-209005	Name plate, lid Drive Master	6.90	14 C-207767	Trimboard, R. seat bro-sdn	.63
4 BO-208926	Name plate, lid	.98	14 C-202159	Trimboard, R. seat club cpe.	1.04
5 BO-204541	Hinge assy. L check	3.00	14 C-202480	Trimboard, R. seat conv.	.92
6 BO-147726	Arm assy. door	1.10	14 C-202471	Trimboard, trunk cv.	3.05

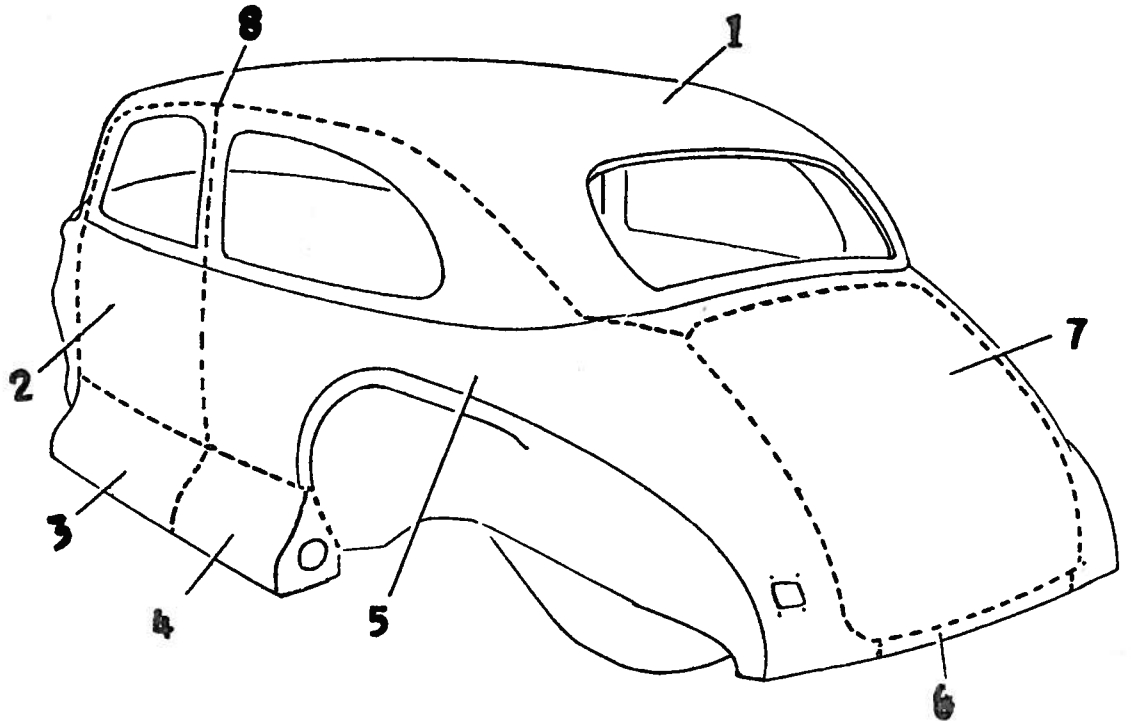


REAR WINDOW

Item Part No.	Description	Price	Item Part No.	Description	Price
1 C-148626	Wthstp, ex. cv.	5.15	4 BO-204736	Mold. inner glass, ex. cv.	.75
2 C-148621	Reveal mid.	5 BO-204737	Mold. outer glass, ex. cv.	1.00
3 BO-148622	Cover, reveal mold.	6 BO-204738	Shim, mold. ex. cv.	.10

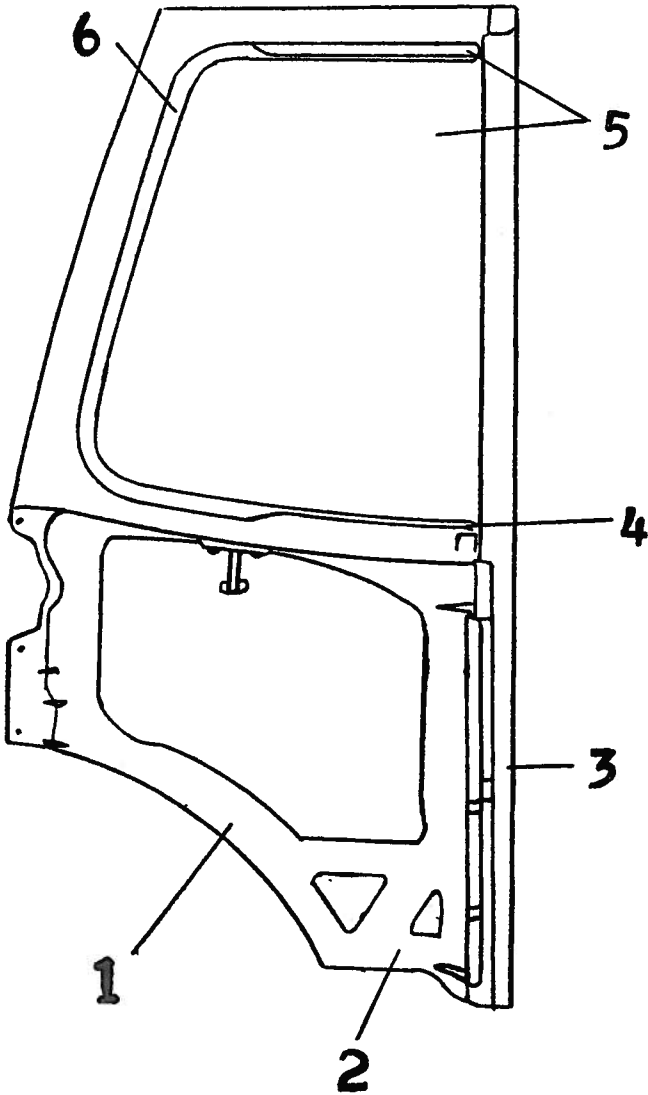
BODY SHEET METAL BROUGHAM 2 DOOR

Item Part No.	Description	Price
1 C-146061	Panel, roof	60.65
2 C-203661	Panel L, F.D. less holes	15.00
2 C-203667	Panel L, door with holes	15.00
3 C-203047	Extension, L door pan.	4.50
4 C-203135	Extension L, qtr. pan.	3.75
5 C-208884	Qtr. pan. L, less holes	40.00
5 C-208886	Qtr. pan. L, with holes	P.O.A.
6 C-146934	Panel rear end low	3.25
7 C-206761	Deck lid assy.	26.85
8 C-146167	Pillar, rear	3.60



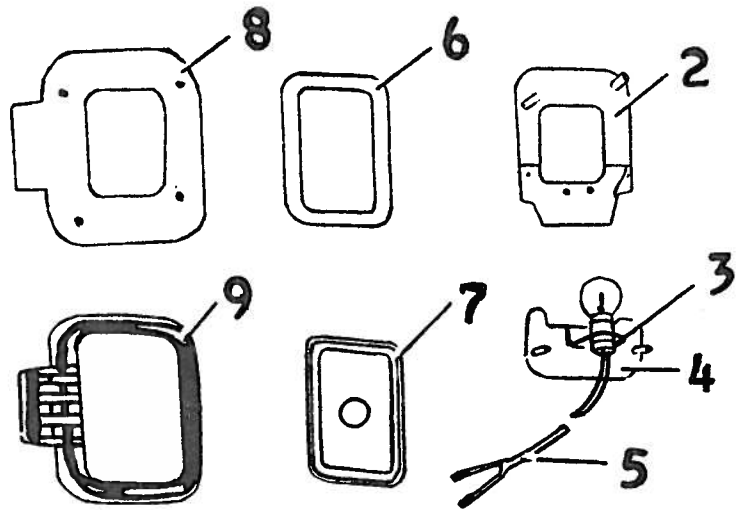
HUDSON 1946 and 1947 BODY PARTS

Super Six and Eight Series 51-171; 53-173. ALL BODY STYLES



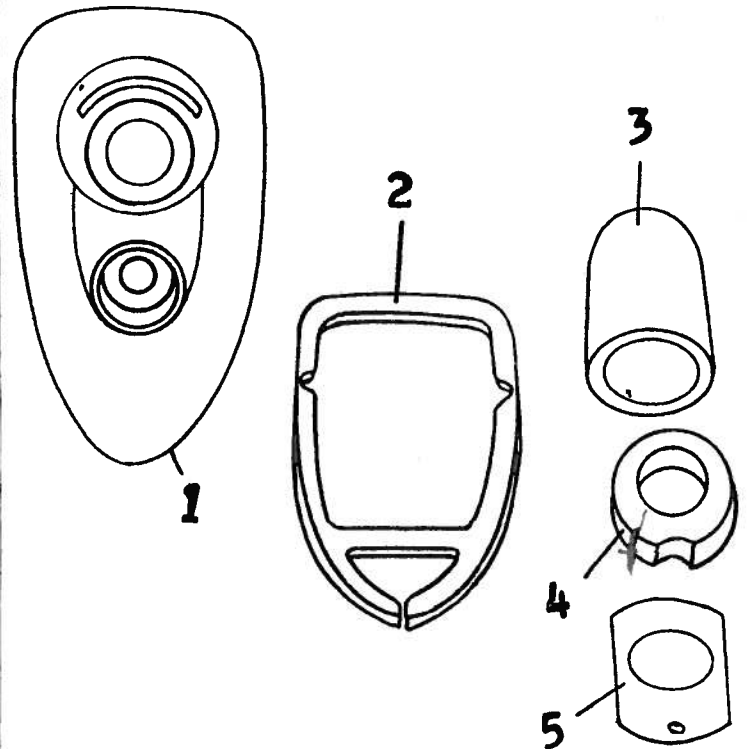
**VENTILATOR ASSEMBLY
CONVERTIBLE**

Item Part No.	Description	Price	Item Part No.	Description	Price
1	BO-146805—Cradle complete L	20.00	4	BO-140813—Frame L, vent.	3.05
2	BO-146687—Cradle L	15.00	5	BO-140845—Glass & frame L	10.85
3	BO-109425—Glass run center L	3.50	6	BO-109427—W/htsp. L	1.25



REAR LAMP ASSEMBLY

Item Part No.	Description	Price	Item Part No.	Description	Price
1	BO-205601—Lamp assy L, Bro-sdn	6.75	5	BO-148262—Wire assy. (Bro & sdn)	1.35
1	BO-205605—Lamp assy L, 3 cpe, club & cv.	5.75	5	BO-148263—Wire assy. cpe. & cv.	1.35
2	BO-205627—Base plate L, inner	1.44	6	BO-205629—Gasket, lens	.29
3	BO-206027—Socket & brkt	.40	7	BO-205621—Lens, lamp	1.32
4	BO-205625—Base plate L, less wires out.	.23	8	BO-205642—Pad, lamp	.50
			9	BO-205623—Bezel, lamp L	2.65

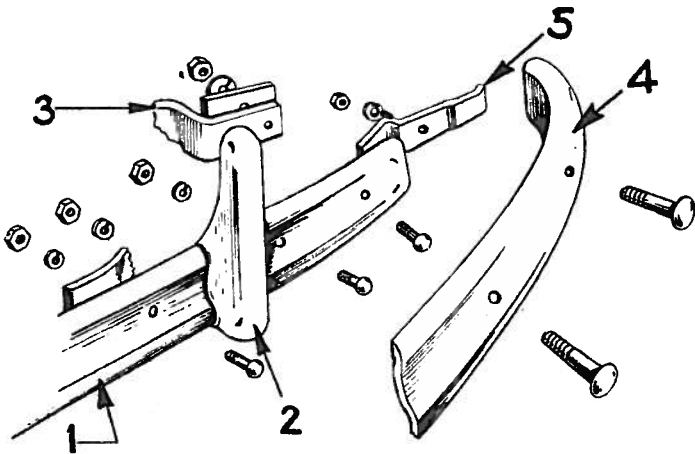


REAR BUMPER ASSEMBLY

Item Part No.	Description	Price
1	C-206961—Outside bar	22.50
2	BZ-208820—Guard L.	9.75
3	C-206963—Frame bar assy. L.	4.95
4	HA-209238—Exten. kit	P.O.A.
	C-147942—Stone guard assy.	4.85
	BO-128301—Bumper, anti-rat.	.17

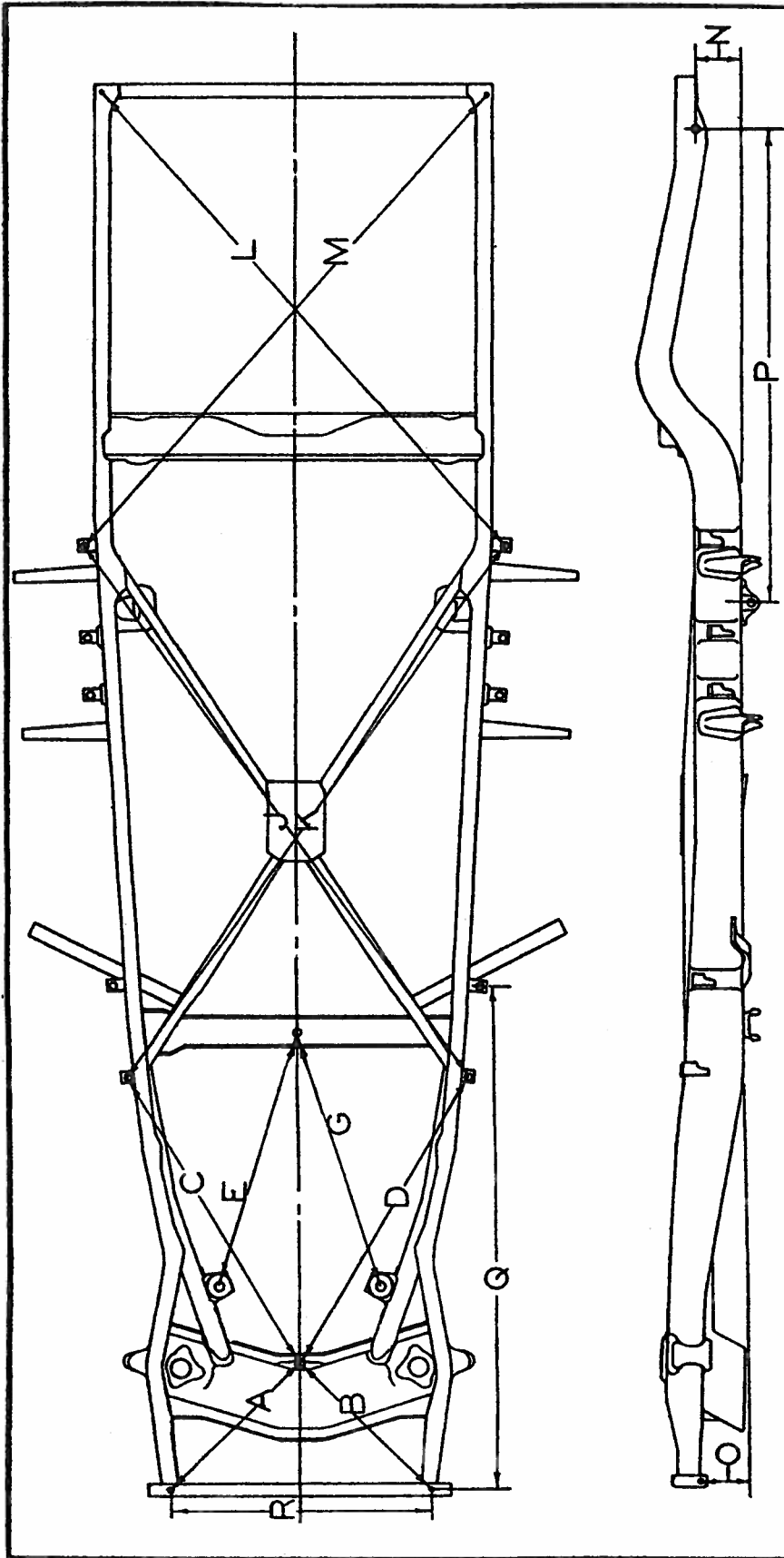
LICENSE LAMP ASSEMBLY

Item Part No.	Description	Price
1	BO-148350—Lamp assy.	4.50
2	BO-148356—Gasket housing	.23
3	BO-148352—Lens	.45
4	BO-148353—Gasket, lens	.17
5	BO-148354—Retainer, lens.	.17
	BO-163155—Wires & socket, Bro-sdn	.81



FRAME 1946 and 1947 HUDSON

Super Six Series 51-171. ALL BODY STYLES



	A	B	C	D	E	F	G	H	J	K	L	M	N	O	P	Q	R					
6 Cyl.	21	7/16	21	7/16	39	11/16	39	11/16	31	78	15/16	78	15/16	74	3/4	74	3/4	57	5/16	60	30	1/2

Frame dimensions, 6 cylinder models

WIRING 1946 and 1947 HUDSON

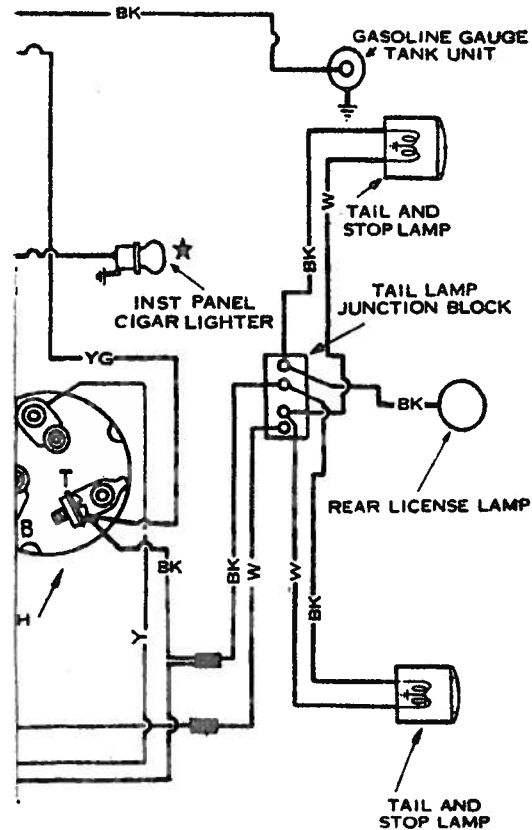
Super Six and Eight Series 51-171; 53-173. ALL BODY STYLES

Circuit	FUSE DATA	
	No. Used	Capacity
TRACER LIGHTING	1	30 AMP.
TRACER ACCESSORY	1	30 AMP.
TRACER CLOCK	1	3 AMP.
TRACER DIRECTION INDICATOR	1	10 AMP.
TRACER WEATHERMASTER	1	14 AMP.
TRACER RADIO	1	20 AMP.

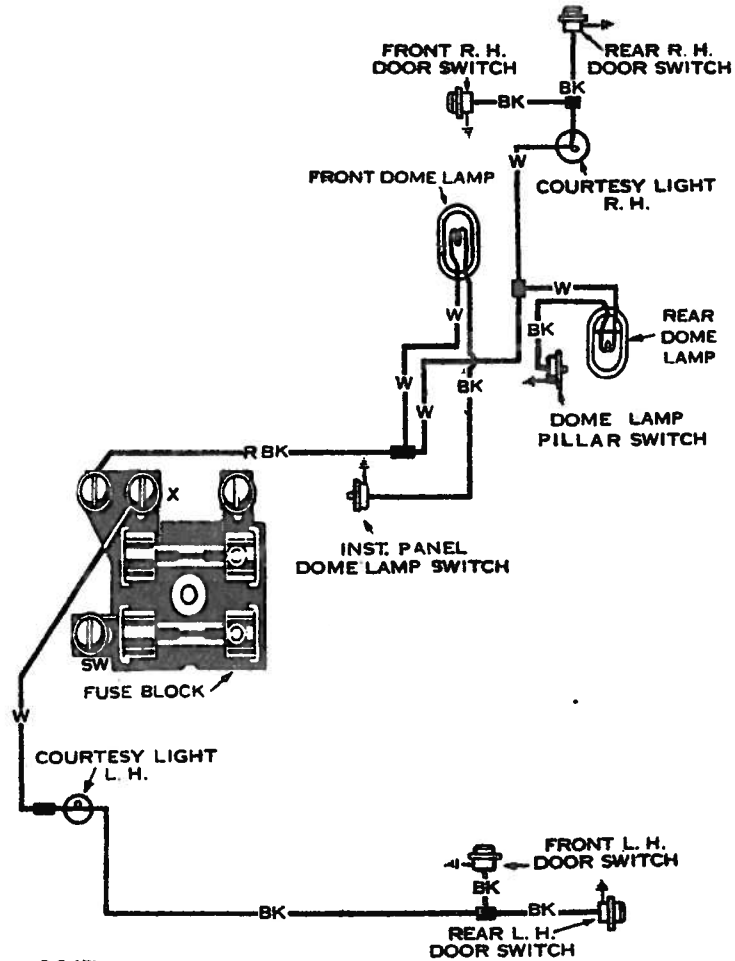
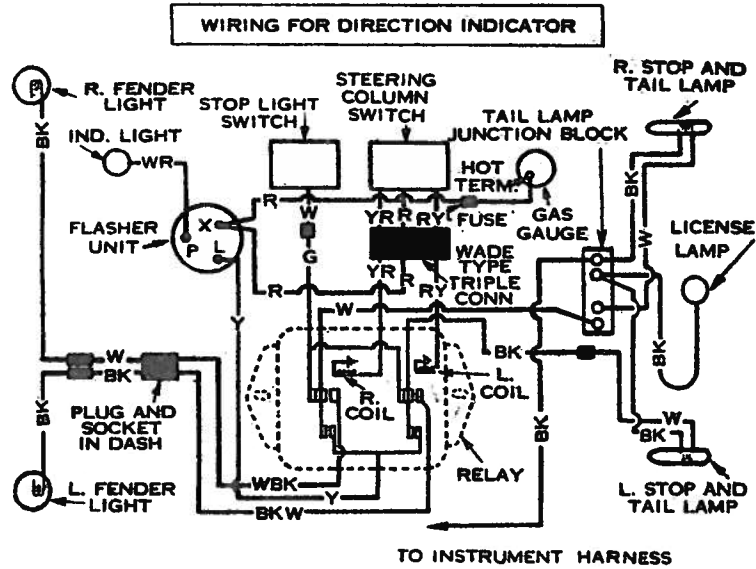
—●— INDICATING FUSE
 —●— INDICATING WIRE CONNECTOR

STARTER BUTTON
 GENERATOR SIGNAL

CLOCK
 EL LIGHTS
 SIGNAL
 TEMPERATURE GAUGE

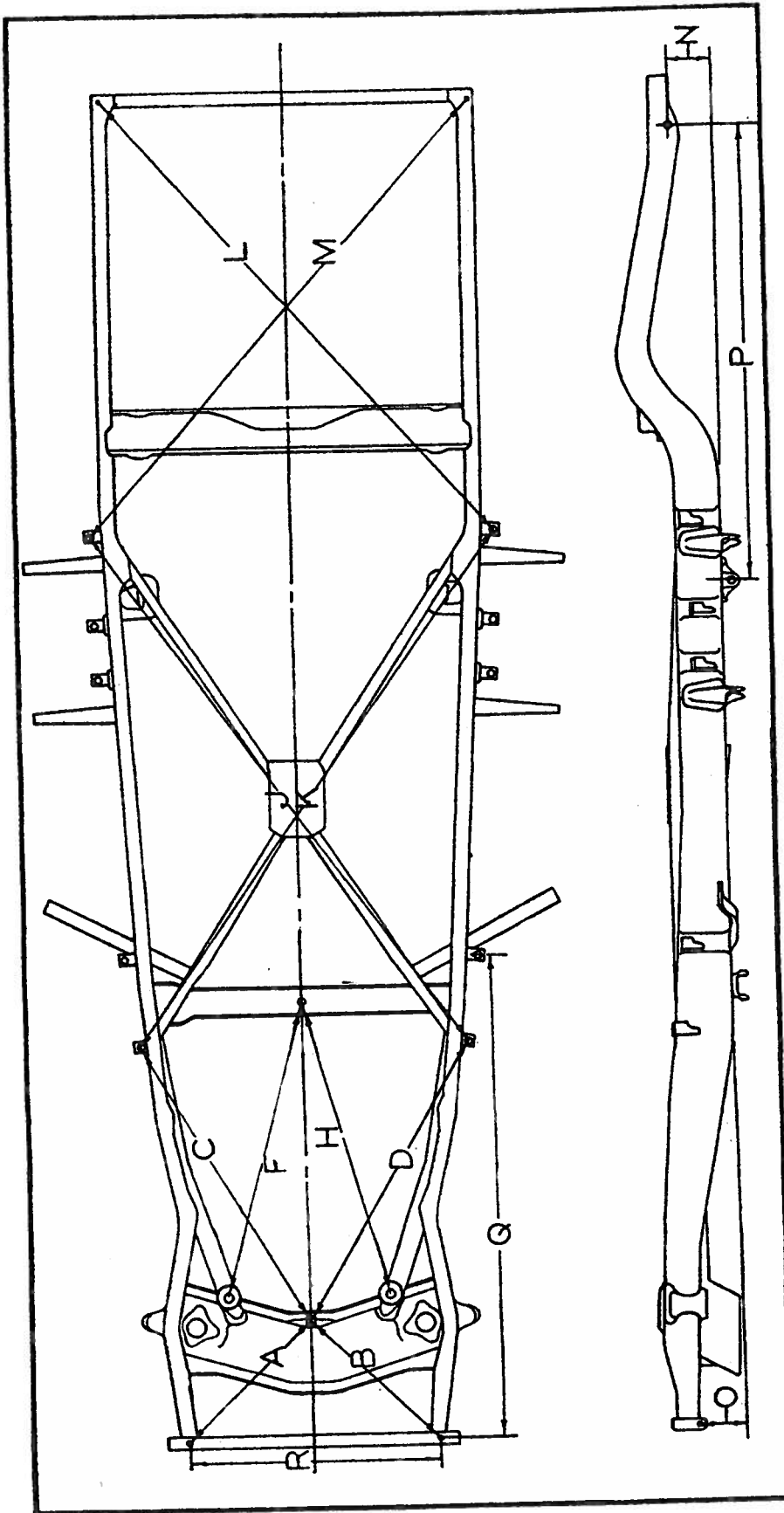


Pertaining to All 1942 Thru 1947



HUDSON 1946 and 1947 FRAME

Super Eight Series 53-173. ALL BODY STYLES



	A	B	C	D	E	F	G	H	J	K	L	M	N	O	P	Q	R				
8 Cyl.	21	7/16	39	11/16	39	11/16	37 3/8	37 5/8	78	15/16	78	15/16	74	3/4	74	3/4	57	5/16	60	30	1/2

Frame dimensions, 8 cylinder models

FLAT RATE 1946 and 1947 HUDSON

Super Six and Eight Series 51-171; 53-173. ALL BODY STYLES

Job No.	Chilton Job No.	Chilton Labor Price	Chilton Job No.	Chilton Labor Price	Chilton Job No.	Chilton Labor Price	Chilton Job No.	Chilton Labor Price	Chilton Job No.	Chilton Labor Price	Chilton Job No.	Chilton Labor Price	Chilton Job No.	Chilton Labor Price	Chilton Job No.	Chilton Labor Price				
A		2.00	A—continued		A—continued		B—continued		C—continued		D		E—continued		E—continued		F—continued		G	
1	7	2.00	7	2.00	20x	10.00	9	19.00	3	3.00	2	25.00	12	28.00	2	28.00	1	50.00	1	50.00
2	8	1.75	8	1.25			10	1.75	4	2.50	3	20.00	13	20.00	3	20.00	2	25.00	2	25.00
3	9	3.50	9	3.50			11	3.25	5	4.00	4	20.00	14	110.00	4	1.75	3	23.00	3	23.00
4	10	15.50	10		B		12	3.75	6	2.00	5	4.50	15	100.00	5	4.50	4	15.50	4	15.50
5	11	3.00	11	3.00	1	8.50	13	4.00	7	10.00	6	2.00	16		6	2.00	5	75.00	5	75.00
6	12	4.50	12	4.50	1a	5.00	14	3.00	8	15.00	7	2.00	17		7	2.00	6	87.00	6	87.00
7	13	5.00	13	5.00	2	28.00	15	1.25	9	7.00	8	4.00	18	12.00	8	4.00	7	12.00	7	12.00
8	14	10.00	14	10.00	3	20.00			10	3.00	9	75.00	19	12.00	9		8		8	
9	15	3.00	15	75	4	1.75	C		11	3.25	10	77.00			10		9		9	
10	16	4.00	16	4.00	5	4.00	1	7.50	12	3.75	11	77.00	F		11	7.50	10		10	
11	17	3.00	17	3.00	6	2.00	1a	5.00	13		12	77.00	1	4.50	12		11		11	
12	18	8.00	18	12.00	7	2.00	2	26.00	14	3.25	13	77.00	1a		13		12		12	
13	19	8.00	19	7.50	8	4.00			15	1.25	14	45.00	2		14		13		13	
14	20	16.00	20	7.50							15		1a		15		14		14	
15													2							

STEERING GEOMETRY

1946 MODELS

- CAMBER:** 1/4 to 3/4 degree.
- CASTER:** Negative 1/4 to positive 1/4 degree.
- TOE-IN:** Zero to 1/16 inches.
- KING PIN INCLINATION:** 3 degree 36 minutes.

1947 MODELS

- CAMBER:** 1/2 to 1 1/2 degree.
- CASTER:** 1/2 to 1 1/2 degree.
- TOE-IN:** Zero to 1/16 inches.
- KING PIN INCLINATION:** 3 degree 36 minutes.

ADJUSTMENT ALL MODELS

CASTER and CAMBER are both controlled by an eccentric pin in the upper control arm outer end.

