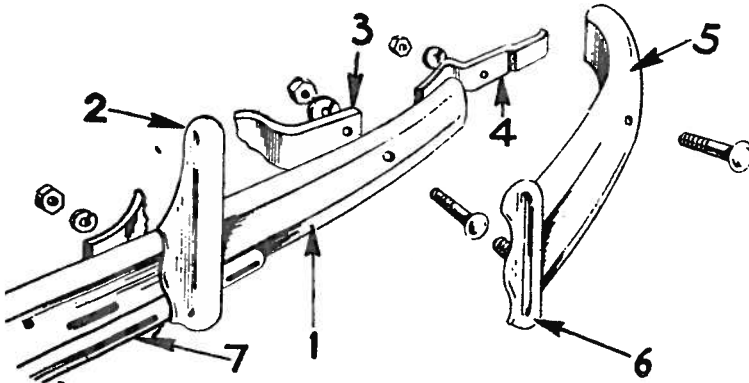


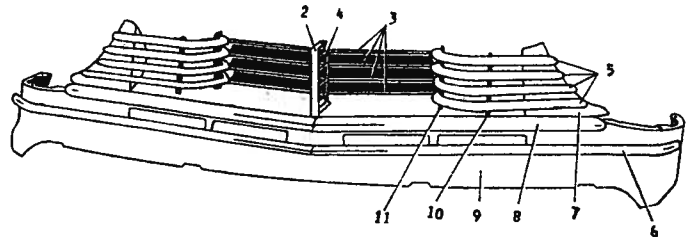
# HUDSON 1946 and 1947 BODY PARTS

Commodore Six and Eight Series 52-172; 54-174. ALL BODY STYLES



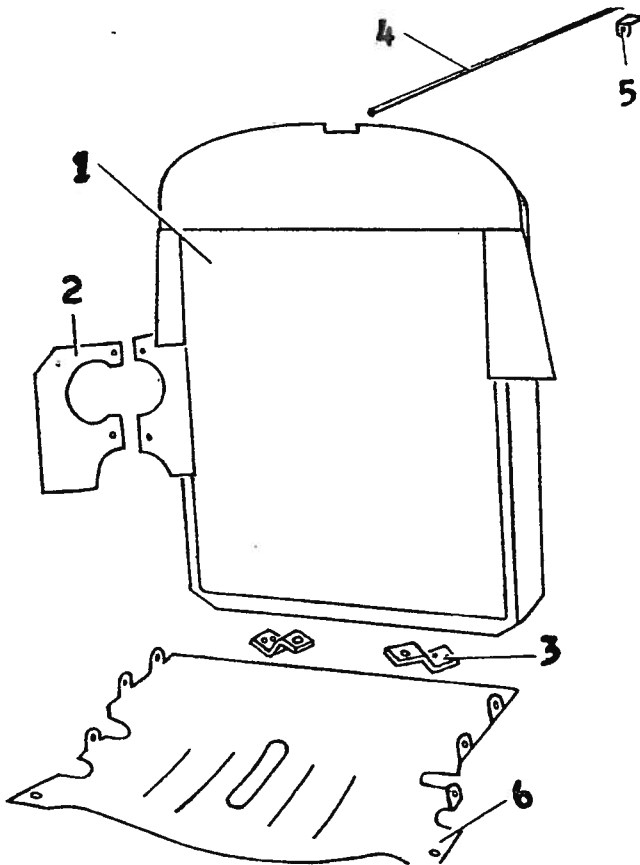
**FRONT BUMPER ASSEMBLY A**

Item Part No.	Description	Price	Item Part No.	Description	Price
1	C-206951—Outside bar ....P.O.A.		5	C-208822—Exten. bar, L....	6.50
2	BZ-208818—Fen. guard, L.	9.75	6	BZ-208835—Guard, L., ext..	6.20
3	C-206963—Frame bar, L....	4.95	7	C-206980—Lic. guard .....	5.70
4	BZ-208823—Clamp, bar ext.	1.00			



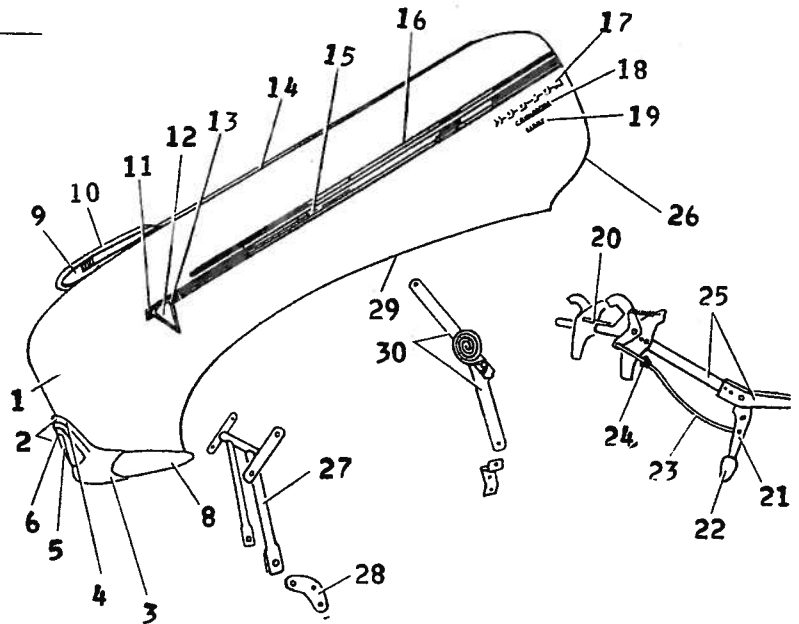
**GRILLE ASSEMBLY**

Item Part No.	Description	Price	Item Part No.	Description	Price
2	BO-208720—Vane, grille, center	4.75	5	BO-208713—Mould., No. 4 side	2.55
3	BO-208714—Mould., center	.75	6	C-208724—Mould., low apron	3.64
4	BO-208721—Plate, vane base	.50	7	BZ-208737—Panel, L., grille mould.	1.35
5	BO-208710—Mould., No. 1 side	2.60	8	C-208723—Mould., up splash, L.H.	.....
5	BO-208711—Mould., No. 2 side	2.60	9	A-209653—Splash apron & ext., L.	.....
5	BO-208712—Mould., No. 3 side	2.55	10	BZ-208718—Sup., outer	.....
			11	BO-208717—Sup. in. L.	.....



**RADIATOR ASSEMBLY**

Item Part No.	Description	Price	Item Part No.	Description	Price
1	C-164099—Radiator core, 52	59.00	4	C-162488—Stay rod, 54	.50
1	C-166235—Radiator core, 54	80.00	5	BO-146024—Dash brkt., stay rod	.23
2	BZ-160267—Baffle & brkt...	.35	6	A-146378—Lower tank shd., 52	2.42
3	BZ-159769—Plate, mount. bolt	.17	6	A-146379—Lower tank shd., 54	2.13
4	C-162487—Stay rod, 52	.50			

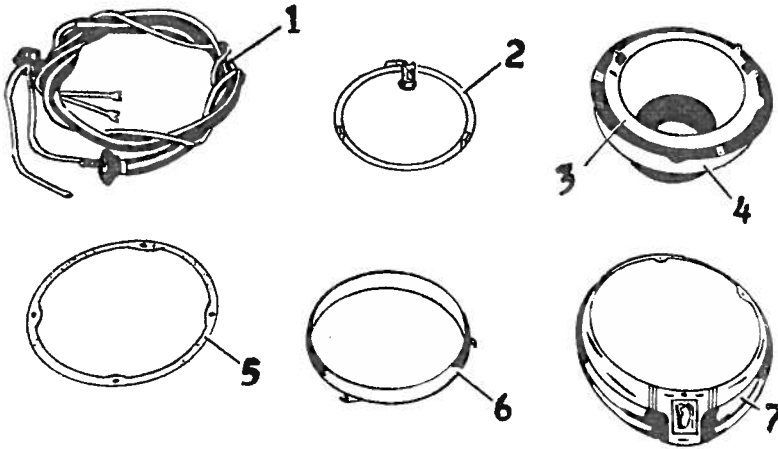


**HOOD ASSEMBLY**

Item Part No.	Description	Price	Item Part No.	Description	Price
1	A-208748—Hood assy. ....	76.50	19	BO-208745—Name plate, "Eight"	.....
2	BO-208752—Ornament, frt.	12.50	19	BO-208749—Name plate, "Six"	.....
3	BO-208754—Housing, frt. ornament	5.20	20	C-203238—Cross shaft, hood lock	1.98
4	BZ-209549—Stud, housing top	.15	21	BO-136378—Handle assy. lock	.50
5	BO-211514—Lens, ornament	5.45	22	BO-203990—Knob, handle	.50
6	BO-208789—Gasket, lens	.60	23	BO-134479—Link, lock handle	.44
6	BO-170406—Terminal, orna. wire	.03	24	BO-134489—Weatherseal, link	.10
	BO-153623—Connector, wire assy.	.17	25	BO-134486—Brkt. & tie bar, handle	.60
8	C-208741—Louver, L.	6.00	26	BO-140233—Lock brkt., reinfmt.	.25
9	BO-208719—Ornament, hood top	7.00	27	C-206372—Hinge arm, cross shaft	5.43
10	BO-208770—Crest, orna. hood top	2.90	28	BO-203368—Support, hinge.	.44
11	BO-205317—Ornament, L., hood side, F.	2.00	29	C-140225—Reinfmt. & sup. hood center	2.50
12	BO-205320—Lens, side orna.	.35	30	BO-141751—Bonnet sup., L.	1.00
13	BO-205332—Gasket, side lens	.20		BO-141754—Brkt., up. hood sup.	1.00
14	C-208762—Mould., hood top	2.35		BO-142289—Bumper, hood to cowl panel	.20
15	C-205323—Mould., L. hood belt	2.76		BZ-130535—Shim, hood to cowl	.35
16	C-208802—Mould. aux. belt.	.....		BO-147849—Silencer, R. re-infmt.	P.O.A.
17	BO-205328—Name plate, hood side, 1st R.	1.44			
17	BO-209877—Name plate, hood side, 2nd R.	1.50			
18	BO-208739—Name plate, hood side, R.	.75			

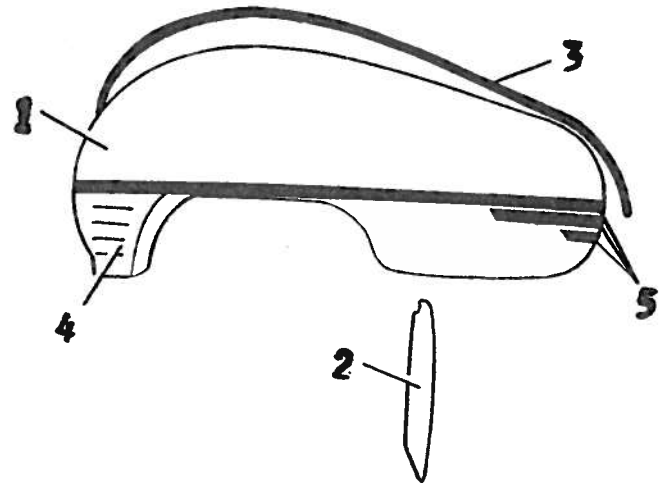
# BODY PARTS 1946 and 1947 HUDSON

Commodore Six and Eight Series 52-172; 54-174. ALL BODY STYLES



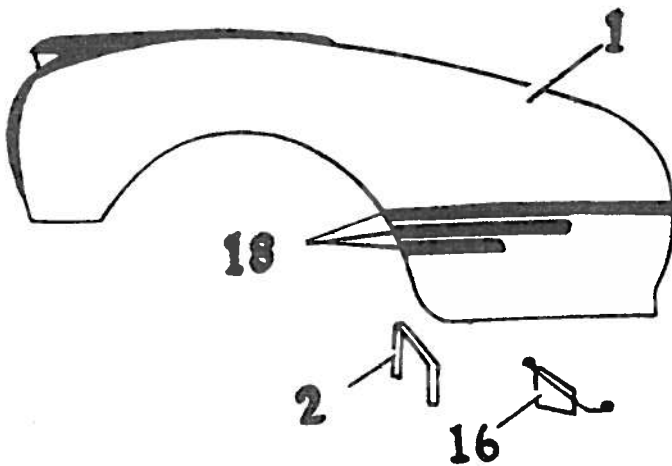
## HEADLAMP ASSEMBLY

Item Part No.	Description	Price	Item Part No.	Description	Price
1	BO-200253—Wire & connector assy., L.	2.13	4	BO-200360—Housing, hdlp.	3.55
2	HA-141850—Sealed beam unit	1.30	5	BO-142072—Gasket, housing	.25
3	BO-141855—Housing, sealed beam	1.75	6	BO-206263—Retainer, sealed beam	2.15
			7	BO-206499—Rim, lens	3.25
				BO-206251—Hdlp. assy., L.	15.00



## REAR FENDER ASSEMBLY

Item Part No.	Description	Price
1	A-208859—Fender, L.	19.75
2	C-146951—Stone guard & apron sup., L.	1.25
3	C-204858—Welt, upper	2.25
4	BZ-204551—Stone protector, L.	2.25
5	C-204307—Trim mould., up. L.	3.00
	C-204308—Trim mould., cen. L.	1.25
	C-208841—Trim mould., low. L.	1.00



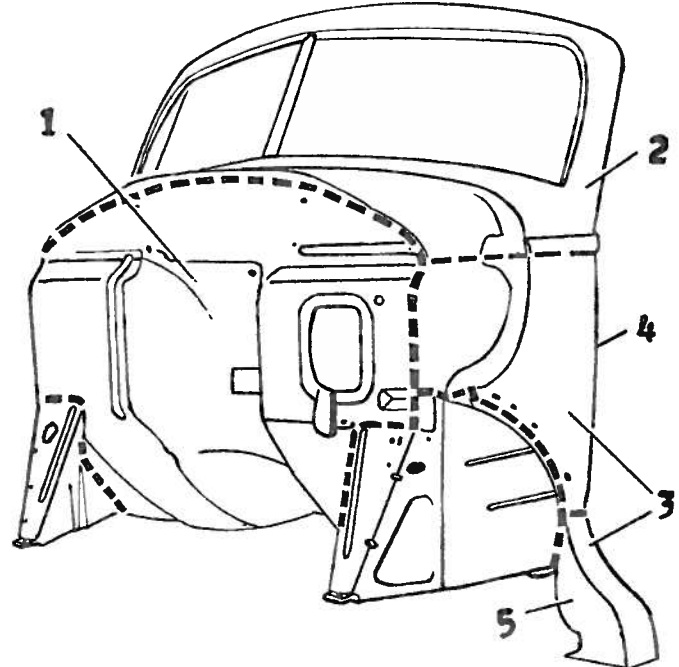
## FRONT FENDER ASSEMBLY

Item Part No.	Description	Price	Item Part No.	Description	Price
1	A-209137—Fen. assy., L.	50.30	BZ-140758	—Brace, brkt.	.17
2	C-146597—Brace rod side, L.	.52	BZ-140759	—Brkt., shield cover	.17
	BZ-94743—Clamp, brace rod	.20	BZ-4963	—Spacer, brkt.	.02
	BZ-94744—Plate, brace rod	P.O.A.	BZ-140458	—Brkt., battery 54	.23
	BZ-146595—Reinfmt., L., shield brace	.23	BZ-203190	—Stone deflector	3.00
	BO-71389—Spacer, fender to frame	.02	16	BZ-203195—Stone deflector assy., L.	1.50
	BZ-140291—Apron, fender	.75		BZ-204855—Welt, low., fen.	.35
	BZ-140469—Guide, shield rubber front	.25	18	C-204301—Mould., L., up.	1.55
	BZ-147063—Guide rear shield rubber	P.O.A.	18	C-204303—Mould., L. cen.	1.25
	BZ-140757—Brkt., L., susp. hole cover	.20	18	C-204305—Mould., L., low.	1.00

## PARKING LAMP ASSEMBLY

Not illustrated

Item Part No.	Description	Price	Item Part No.	Description	Price
BO-206311	—Lamp assy., L.	10.50	BO-204535	—Base & socket assy., L.	2.76
BO-206521	—Housing lamp, L.	2.50	BO-148658	—Lens, lamp	1.00
BO-204519	—Base, wires, L.	4.25	BO-148659	—Gasket, lens	.06
			BO-148661	—Pad, lamp	.45



## FRONT END ASSEMBLY

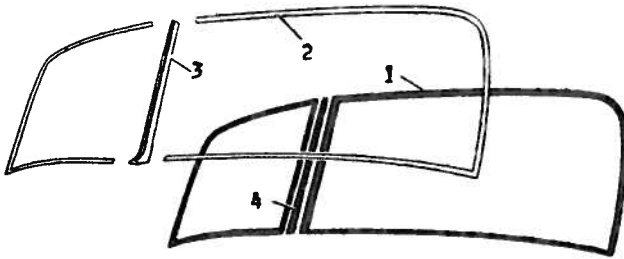
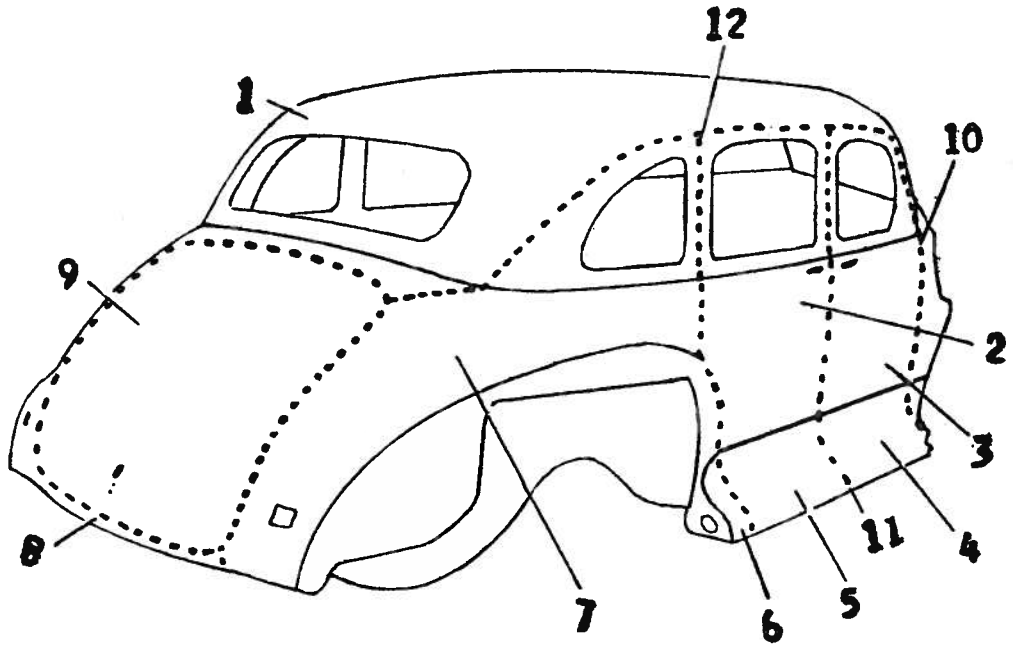
Item Part No.	Description	Price	Item Part No.	Description	Price
1	C-203028—Panel, dash	P.O.A.	3	C-203539—Panel & exten., cowl side, L.	3.75
2	C-146006—Panel, front end ex. cv.	16.50	4	C-146399—Reinfmt., cowl hinge	1.35
	C-203542—Panel, front end cv.		5	C-203531—Exten. assy.	

# HUDSON 1946 and 1947 BODY PARTS

Commodore Six and Eight Series 52-172; 54-174. ALL BODY STYLES

## BODY SHEET METAL 4-DOOR SEDAN

Item	Part No.	Description	Price
1	C-146061	Panel, roof	60.65
2	C-203697	Panel, L., rear door	15.00
3	C-206641	Panel, L., front door	15.00
4	C-203041	Exten., L., front door pan.	4.00
5	C-203177	Exten., L., rear door pan.	4.00
6	C-203139	Exten., L. qt. pan.	2.95
7	C-208923	Qt. panel, L.	38.00
8	C-146934	Panel assy., low. center	3.25
9	C-206761	Deck lid	26.85
10	C-204095	Pillar assy., L.F.	3.50
11	C-203099	Exten. pillar, cen.	1.25
12	C-148273	Pillar assy., L.R.	1.55

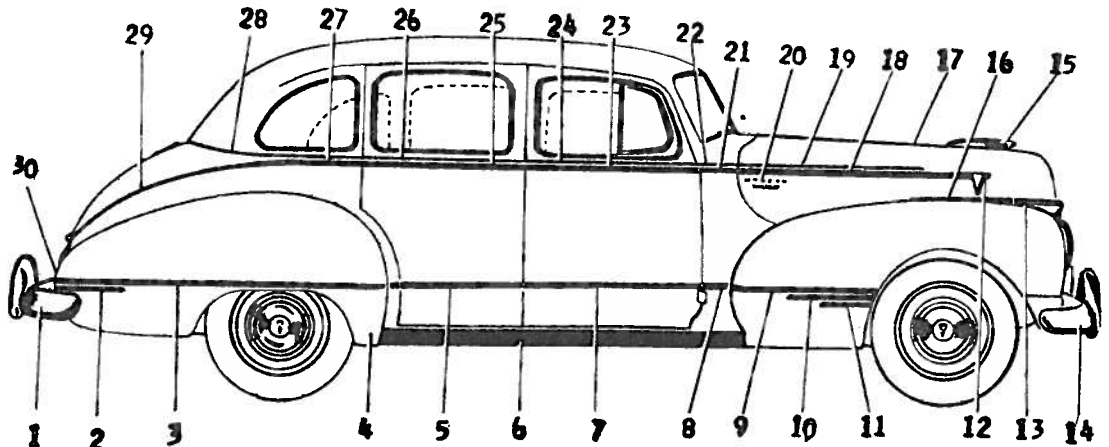


## WINDSHIELD ASSEMBLY

Item	Part No.	Description	Price
1	BO-142043	Wthstp., L., ex. cv.	3.75
1	BO-142255	Wthstp., L., cv.	2.76
2	C-142031	Mldg., L. exc. cv.	.....
2	C-142049	Mldg., L. cv.	.....
3	BO-140964	Center bar, outer, ex. cv.	3.25
3	BO-140969	Center bar, outer, cv.	3.00
4	BO-141784	Shim, center bar	.....
	C-146131	Header assy., ex. cv.	.10
	C-122244	Header assy., cv.	2.50
			11.00

## OUTSIDE MOULDINGS 4-DOOR SEDAN

Item	Part No.	Description	Price
1	C-208839	Exten., L. rear bumper	8.25
2	C-204309	Mould., center L.	1.25
3	C-204307	Mould., upper L.	3.00
4	BZ-204551	Stone protector, L.	2.25
5	C-205252	Mould., low. R.D.	1.00
6	C-205345	Mould., L. safety step	8.91
7	C-205251	Mould., low. F.D.	1.21
8	BO-205255	Mould., L. cowl pan., low.	1.00
9	C-204301	Mould., L. upper	1.55
10	BO-204303	Mould., L. cen.	1.25
11	BO-204305	Mould., L. low.	1.00
12	BO-208751	Ornament, L. side, front	1.85
13	BO-206515	Fender lamp, L.	10.50
14	C-208822	Bumper exten., L.	6.50
15	BO-208719	Ornament, hood top	7.00
16	BO-148670	Ornament, fender lamp	.....
17	C-208782	Mould., hood top	2.35
18	C-208785	Mould., L. hood belt	1.80
19	C-208802	Mould., hood aux.	1.80



Item	Part No.	Description	Price
20	BO-205328	Name plate, 1st type	1.44
20	BO-209877	Name plate, 2nd type	1.50
21	BO-148201	Mould., L. up. cowl side	1.00
22	BO-205231	Mould., front end pan. aux.	.75

Item	Part No.	Description	Price
23	C-148231	Mould., L. front door	2.25
24	C-205235	Mould., L. front door aux.	1.00
25	C-204375	Mould., L. rear door belt	2.00
26	C-205236	Mould., rear door aux.	1.00

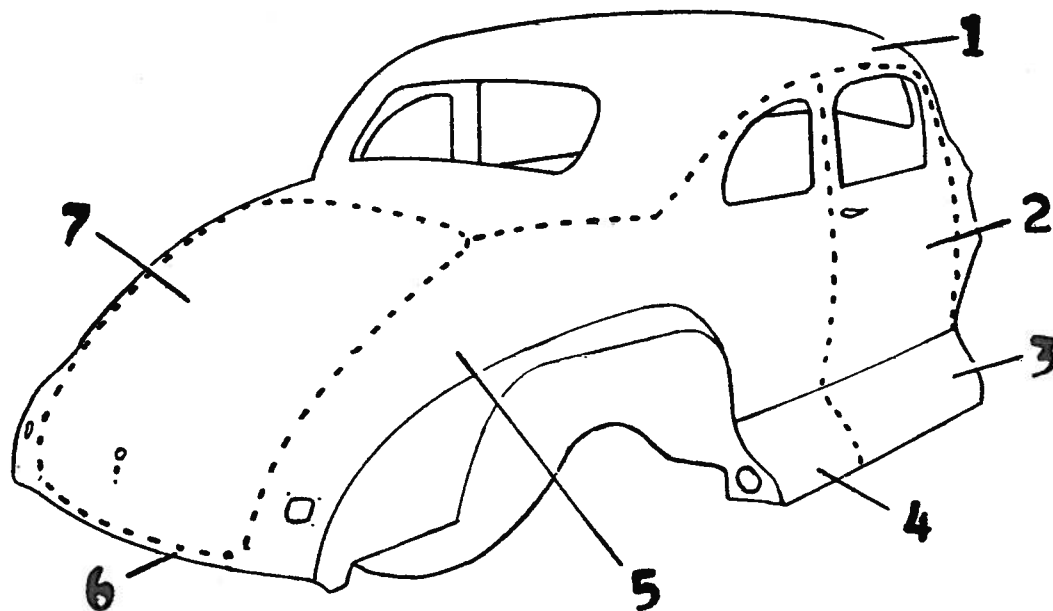
Item	Part No.	Description	Price
27	C-208659	Mould., L. qt. panel belt	P.O.A.
28	C-205241	Mould., L. qt. panel aux.	2.00
29	C-208663	Mould., L. qt. pan. belt, rear	2.00
30	BO-208783	Exten., L. qt. pan. belt	.82

# BODY PARTS 1946 and 1947 HUDSON

Commodore Six and Eight Series 52-172; 54-174. ALL BODY STYLES

## INSTRUMENT PANEL

Item	Part No.	Description	Price
1	BO-209013	Dial, speed., gold letters	3.25
1	BO-209518	Finish plate, speed. side	3.00
2	BO-204182	Bezel, speed. side	2.95
2	BO-209515	Gasket, speed. side	.35
3	BO-204846	Button, start. sw.	.45
4	BO-208646	Ash receiver, grained	2.00
5	BO-208810	Control, cleaner, with or without radio	.92
6	BO-208805	Grille	5.75
7	BO-208806	Screen, grille	2.00
8	BO-204182	Bezel, clock side	2.95
9	BO-209023	Dial, clock side, gold letters	3.25
10	BO-1-206096	Clock assy., electric	P.O.A.
10	BO-1-166683	Clock assy., electric	.40
11	BO-204815	Knob, clock	.25
12	BO-204184	Mold., glove box	1.00
13	BO-204847	Button, light sw.	.45
14	BO-209836	Tuning control	1.45
15	BO-204885	Mold., center, no VD or HDM	1.10
15	BO-204885	Mold., center, with VD	1.50
15	BO-204887	Mold., center, with HDM	1.75
16	BO-209937	Volume control	.40
17	BO-204411	Handle, cowl vent.	.40
18	BO-164297	Bezel, Ign. lock	.20



## BODY SHEET METAL

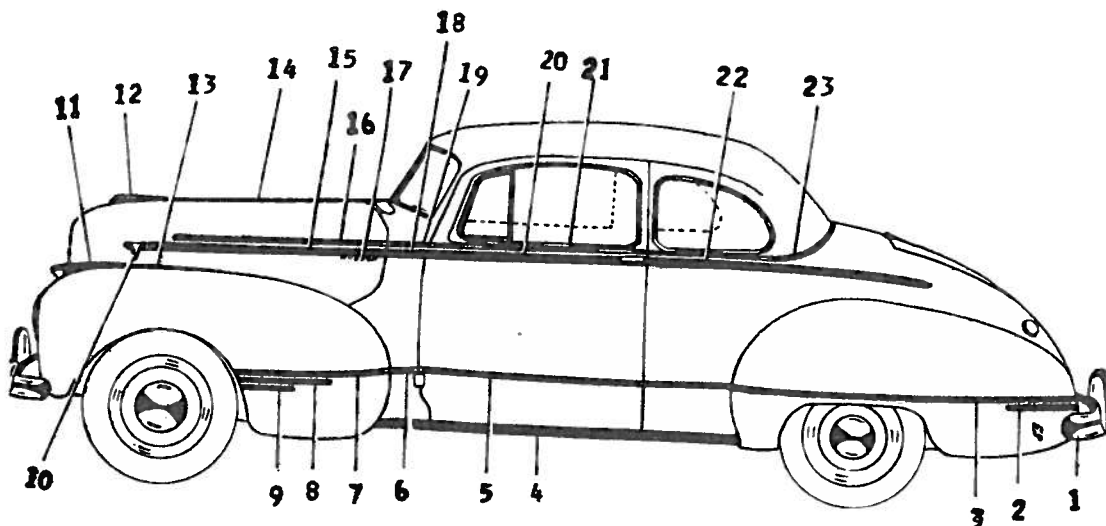
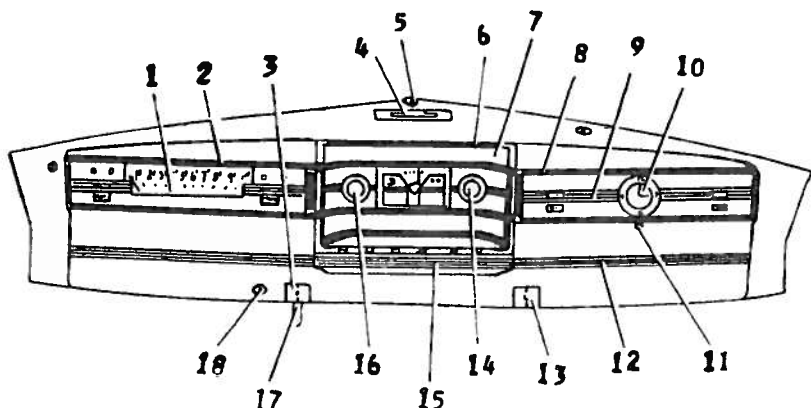
### CLUB COUPE

Item	Part No.	Description	Price
1	C-146066	Panel, roof	52.50
2	C-203679	Panel, L. door	15.00
3	C-203047	Exten. panel, L. door	4.50
4	C-203137	Exten., L. qt. panel	3.75
5	C-205205	Qt. panel assy., L.	31.75
6	C-146934	Panel assy., rear, lower	3.25
7	C-206763	Deck lid	29.00

## OUTSIDE MOULDINGS

### CLUB COUPE

Item	Part No.	Description	Price
1	C-208839	Exten., L. bmpr. bar	8.25
2	C-208841	Trim mould., L., lower	1.00
3	C-204307	Trim mould., L., upper	3.00
4	C-205345	Mould., L., safety step	8.91
5	C-205250	Mould., L. door, lower	1.75
6	BO-205255	Mould., L. cowl pan., lower	1.00
7	C-204301	Mould., L. up. front fender	1.55
8	BO-204303	Mould., L. cen. front fender	1.25
9	BO-204305	Mould., L. low. front fender	1.00
10	BO-205317	Ornament, L. hood side front	2.00
11	BO-206511	Fender lamp, L.	10.50
12	BO-208719	Ornament & crest, hood top	7.00
13	BO-148670	Ornament, fender lamp	2.35
14	C-208762	Mould., hood top	2.76
15	C205323	Mould., L. hood belt	1.90
16	C-208802	Mould., hood aux belt	.75
17	BO-208739	Name plate, hood side, rear	1.10
18	BO-148203	Mould., L. front end panel	.75
19	BO-205231	Mould., L. front end panel aux.	2.30
20	C-148227	Mould., L. front door belt	1.30
21	C-205233	Mould., L. front door belt aux.	2.75
22	C-148215	Mould., L. qt. panel belt	2.25
23	C-205243	Mould., L. qt. panel belt aux.	

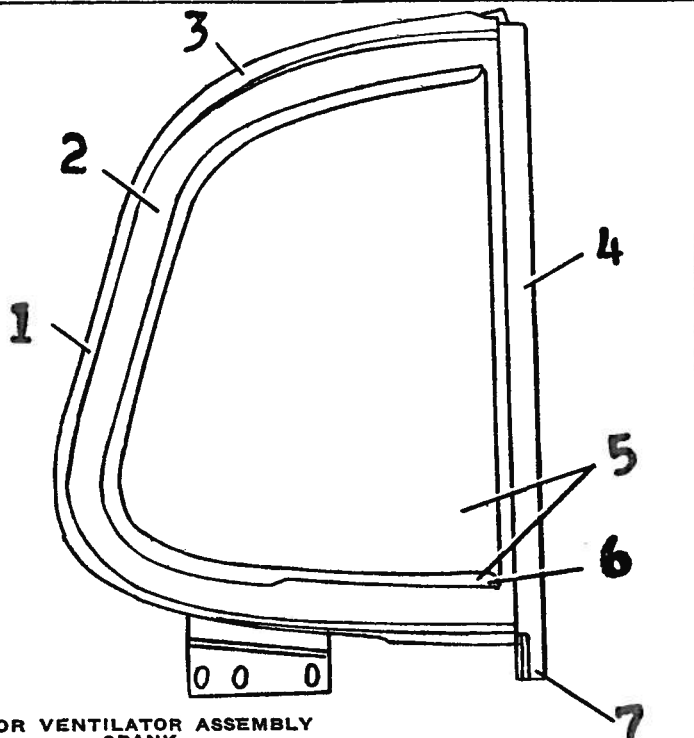
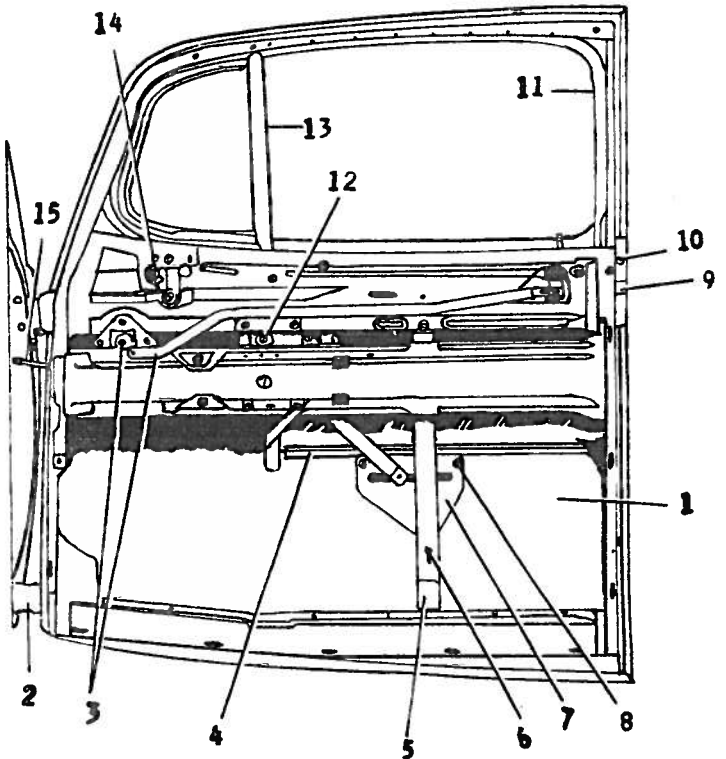


# HUDSON 1946 and 1947 BODY PARTS

Commodore Six and Eight Series 52-172; 54-174. ALL BODY STYLES

## FRONT DOOR ASSEMBLY

Item Part No.	Description	Price	Item Part No.	Description	Price
1	C-206435—Door, L., 4D	50.00	6	BO-141353—Stop, track	.15
1	C-206439—Door, L., club cpe.	50.00	7	BO-141355—Roller guide, L.	.50
2	BO-203559—Hinge, up. door half, L.	1.00	8	BO-18464—Bolt, roller guide	.02
2	BO-203556—Hinge & cover plate, up. body half	1.50	9	BO-204733—Lock assy., L.	3.60
2	BO-203565—Hinge, L., low. door half	1.00	10	BO-141734—Dovetail, male, cv.	.35
2	BO-147563—Hinge, L., low. body half	1.00	10	BO-141735—Dovetail, male, cv.	.60
3	BO-205271—Remote control, L., club cpe.	1.25	11	C-126988—Glass run, 1st type, 4D	1.04
3	BO-205273—Remote control, L., 4D	1.25	11	C-209710—Glass run, 2nd type, 4D	1.00
3	BO-205275—Remote control, L., cv.	1.25	11	C-126990—Glass run, 1st type, club cpe.	1.15
4	BO-141361—Rest. chan. & guide, 4D	1.25	11	C-209714—Glass run, 2nd type, club cpe.	1.25
4	BO-141363—Rest. chan. & guide, club cpe.	1.25	12	BO-141343—Regltr. assy., L., ex. cv.	2.35
4	C-109317—Rest. chan. & brace, L., cv.	1.25	13	BO-134231—Center bar & wthstp., L., ex. cv.	1.55
5	BO-141351—Track assy.	.85	14	BO-141341—Regltr. assy., L. vent.	2.50
			15	BO-147495—Check, door	.50

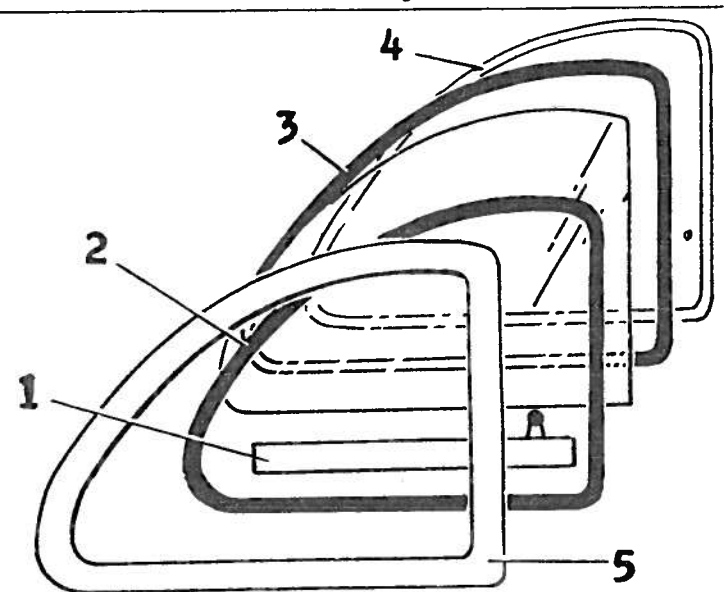
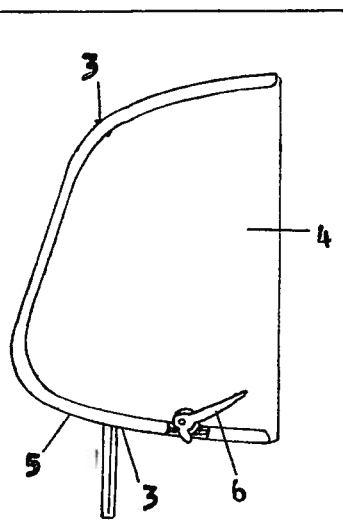


### DOOR VENTILATOR ASSEMBLY CRANK

Item Part No.	Description	Price
1	BO-141907—Retainer complete, L., ex. cv.	15.00
2	BO-142253—Wthstp., L. vent., ex. cv.	2.65
3	BO-140811—Retainer assy., L., ex. cv.	P.O.A.
4	BO-134231—Center bar & wthstp., L., ex. cv.	1.55
5	BO-134225—Glass & frame, L., ex. cv.	9.25
6	BO-134223—Frame, L., glass, ex. cv.	4.50
7	C-140809—Glass run, center bar	.50

### DOOR VENTILATOR ASSEMBLY FRICTION TYPE

Item Part No.	Description	Price
	BO-141903—Wing & wthstp. ret., L.	15.00
	BO-141611—Retainer, L.	1.50
3	BO-108510—Shim pivot, thin	.01
3	BO-108511—Shim pivot, thick	.01
4	BO-140875—Glass & frame, L.	12.60
5	BO-141843—Frame assy., L. glass	5.75
6	BO-136543—Handle, L., vent., locking	1.00

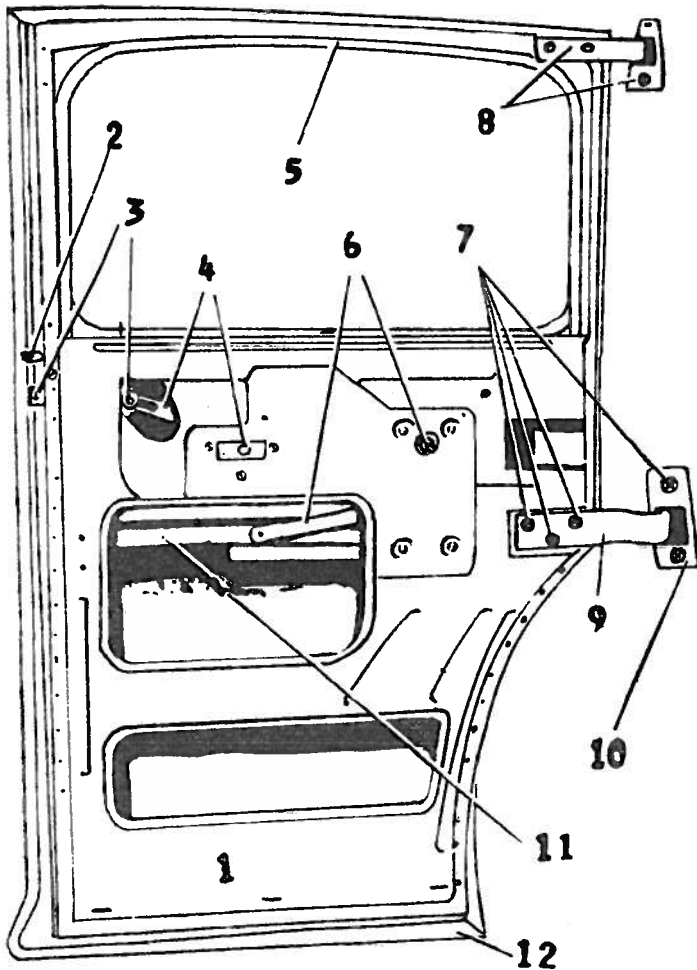


### REAR QUARTER WINDOW

Item Part No.	Description	Price	Item Part No.	Description	Price
C-204203	—Frame assy., L., sdn.	3.25	2	BO-204231—Wthstp., inner, L., sdn.	1.00
C-204795	—Frame assy., L., club cpe.	3.34	2	BO-204233—Wthstp., inner, L., club cpe.	1.10
BO-204213	—Brkt., frame	.23	3	BO-146547—Wthstp., outer, L., sdn.	2.00
BO-204215	—Brkt., upper frame	.23	3	BO-146523—Wthstp., outer, L., club cpe.	2.00
BO-204052	—Brkt., lower frame	.06		BO-109223—Cushion, sdn.	.00
BO-134311	—Plate, frame fastening	P.O.A.	4	C-147717—Mold., L., reveal, sdn.	2.20
BO-204707	—Retainer assy., L., sdn.	.58	4	C-147723—Mold., L., reveal, club cpe.	2.50
BO-204793	—Retainer assy., L., club cpe.	.65	5	C-204615—Mold. & strip., L., sdn.	6.90
1	BO-204705—Rest channel & reg., L.	2.00	5	C-204745—Mold. & strip., L., club cpe.	6.60
C-147209	—Reinfmt., L., club cpe.	.75		BO-204229—Panel assy., L., reg.	1.70
BO-146369	—Brace, reinfmt., club cpe.	P.O.A.			

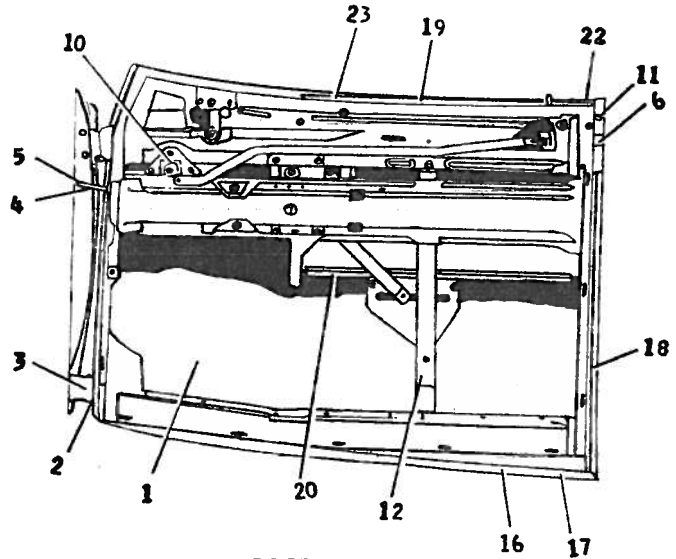
# BODY PARTS 1946 and 1947 HUDSON

Commodore Six and Eight Series 52-172; 54-174. ALL BODY STYLES



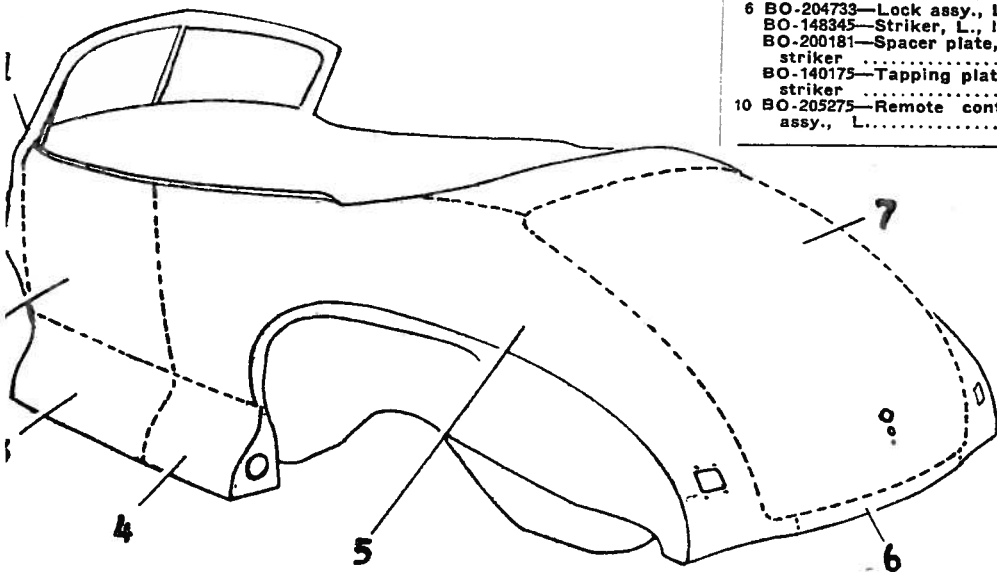
## REAR DOOR ASSEMBLY 4-DOOR SEDAN

Item Part No.	Description	Price	Item Part No.	Description	Price
1	C-203979—Door assy., L.	50.00	8	BO-147571—Hinge, upper door half, L.	.75
2	BO-141734—Dovetail, male	.35	8	BO-204569—Hinge, upper body half, L.	.75
3	BO-204731—Lock assy., L.	3.60	9	BO-147581—Hinge, lower door half, L.	1.25
4	BO-205277—Remote control assy., L.	.75	10	BO-203577—Hinge, lower body half, L.	1.80
5	C-112687—Glass run, 1st type	1.55	11	BO-120199—Rest chan. & guide, L.	.50
5	C-209711—Glass run, 2nd type	1.50	12	C-202668—Wthstp. assy., bottom	1.84
6	BO-148607—Regulator assy., L.	2.25			
7	BO-170644—Bolts, hinge	.06			



## DOOR ASSEMBLY CONVERTIBLE

Item Part No.	Description	Price	Item Part No.	Description	Price
1	C-208443—Door, L.	50.00	11	BO-141735—Dovetail, male.	.60
2	BO-203559—Hinge, L., up. door half	1.00	12	BO-148993—Track assy., L. door	3.50
2	BO-203555—Hinge & cover plate, L., body	1.50		BO-148994—Support, track.	.50
2	BO-203565—Hinge, L., low. door half	1.00	BO-148998—Brkt., track sup.	.20	
2	BO-203563—Hinge, L., low. body half	1.00	BO-116924—Brace, sup. to reg.	.17	
3	BO-203557—Friction sprg., up. L.	.30	16	BO-200736—Wthstp., door, lower open.	P.O.A.
4	BO-147495—Check, door	.50	17	C-202667—Wthstp., door bottom	.85
5	BO-147491—Bumper, door check	.20	18	C-204245—Wthstp., door extension	1.25
6	BO-204733—Lock assy., L.	3.60	19	C-148983—Frame, door glass	P.O.A.
	BO-148345—Striker, L., lock	1.35	20	C-109317—Rest chan. & brace, L.	1.25
	BO-200181—Spacer plate, striker	.23	22	BO-146693—Chan., L., glass run	2.25
	BO-140175—Tapping plate, striker	.23	23	BO-142155—Wthstp., in. door belt	.63
10	BO-205275—Remote control assy., L.	1.25			



## BODY SHEET METAL CONVERTIBLE

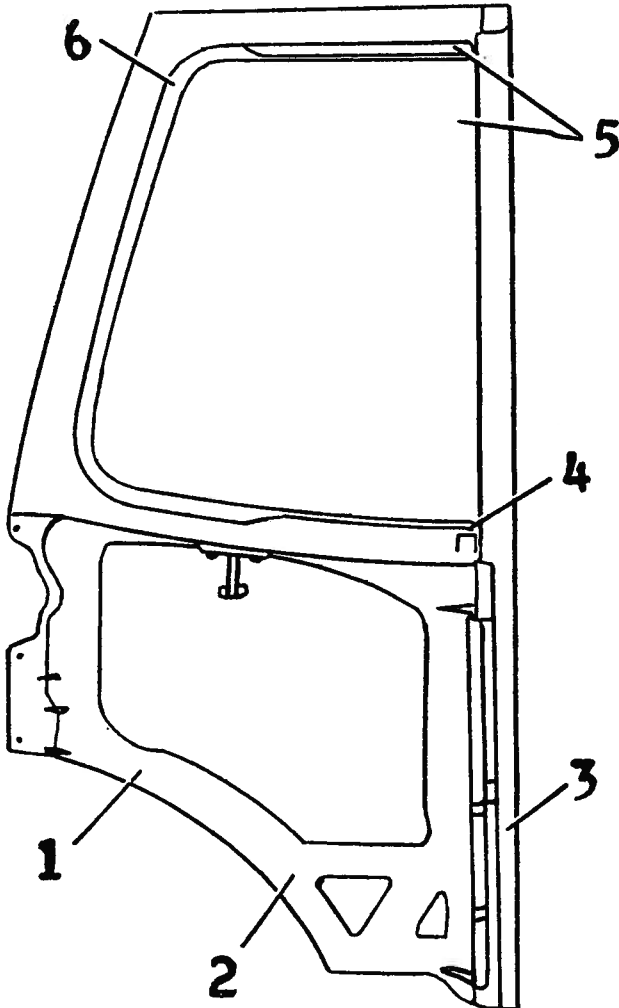
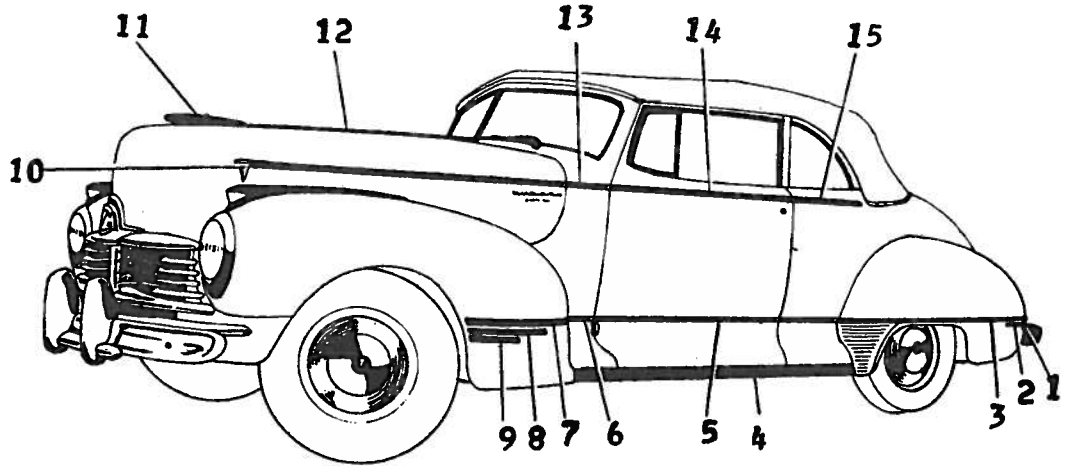
Item Part No.	Description	Price
1	C-203028—Dash panel	P.O.A.
2	C-206635—Panel, L. door	15.00
3	C-203177—Exten., L. door panel	4.00
4	C-203137—Exten., L. qt. panel	3.75
5	C-205215—Qt. panel assy., L.	34.50
6	C-146934—Panel assy., rear low.	3.25
7	C-206763—Deck lld	29.00

# HUDSON 1946 and 1947 BODY PARTS

Commodore Six and Eight Series 52-172; 54-174. ALL BODY STYLES

## OUTSIDE MOULDINGS CONVERTIBLE

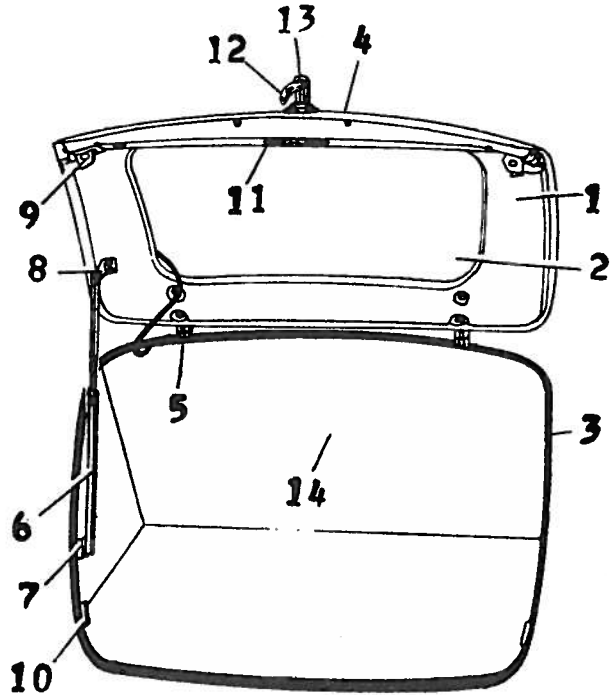
Item	Part No.	Description	Price
1	C-208841	Mould., L. lower	1.00
2	C-204309	Mould., L. center	1.25
3	C-204307	Mould., L. upper	3.00
4	C-205345	Mould., L. safety step	8.91
5	C-205250	Mould., door, lower	1.75
6	BO-205255	Mould., L. cowl side, low.	1.00
7	C-204301	Mould., L. up. front fender	1.55
8	BO-204303	Mould., L. cen.	1.25
9	BO-204305	Mould., L. low.	1.00
10	BO-208751	Ornament, hood side	1.85
11	BO-208768	Ornament, hood top	4.00
12	C-208762	Mould., hood top	2.35
13	BO-148203	Mould., L. front end panel	1.10
14	C-148227	Mould., L. front door belt	2.50
15	C-148215	Mould., qt. panel belt	2.75



**DOOR VENTILATOR ASSEMBLY  
CONVERTIBLE**

Item	Part No.	Description	Price
1	BO-146805	Cradle, complete, L.	20.00
2	BO-146687	Cradle, L.	15.00
3	BO-109425	Glass run, L., center	3.50

Item	Part No.	Description	Price
4	BO-140813	Frame, L., glass	3.05
5	BO-140845	Glass & frame, L.	10.85
6	BO-109427	Wthstp., L. vent.	1.25

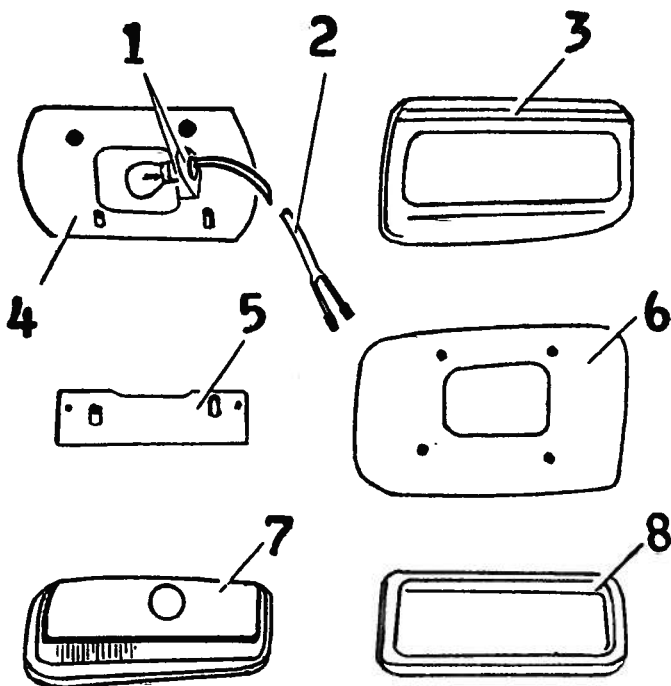


## DECK LIDS

Item	Part No.	Description	Price	Item	Part No.	Description	Price
1	C-206761	Deck lid, 4D	26.85	8	BO-83191	Tapping plate, check arm	
1	C-206763	Deck lid, club cpe. & cv.	29.00	9	BO-203767	Lever & brkts., latch	
2	C-202134	Silencer, large, 4D	.35	10	BO-147763	Brkt., latch clamp	
2	C-202135	Silencer, large C. cpe. & cv.	.46	11	BO-147759	Link, latch, 4D	
2	C-202198	Silencer, small, 4D	.46	11	BO-147760	Link, latch, club cpe.	
2	C-202199	Silencer, small C. cpe. & cv.	P.O.A.	12	BO-147761	Lever, latch oper.	
3	BO-203072	Wthstp., lid, 4D	2.50	13	BO-206197	Cyl. & keys, lid	1.00
3	BO-203073	Wthstp., lid, C. cpe. & cv.	2.75	14	C-209044	Trimboard, rear seat, 4D	2.00
4	BO-209005	Name plate, lid	6.90	14	C-202159	Trimboard, rear seat, club cpe.	1.00
4	BO-208926	Name plate, HDM	.98	14	C-202480	Trimboard, rear seat, cv.	1.00
5	BO-204541	Hinge assy., L.	3.00	14	C-202471	Trimboard, trunk, cv.	3.00
6	BO-147726	Arm assy. door check	1.10				
7	BO-147728	Brkt., door check, low.	.23				

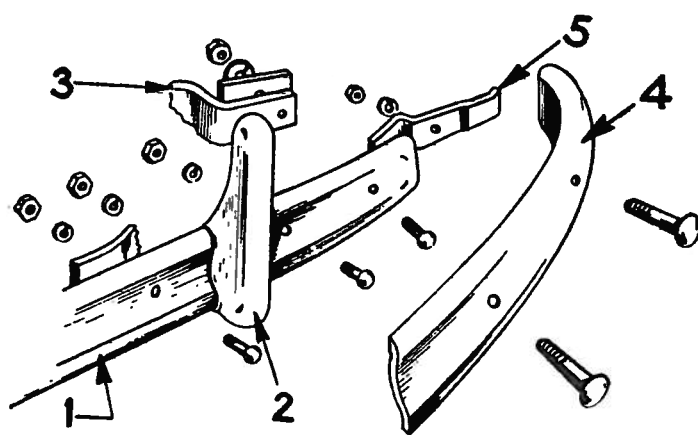
# BODY PARTS 1946 and 1947 HUDSON

## Commodore. ALL BODY STYLES



### REAR LAMP ASSEMBLY

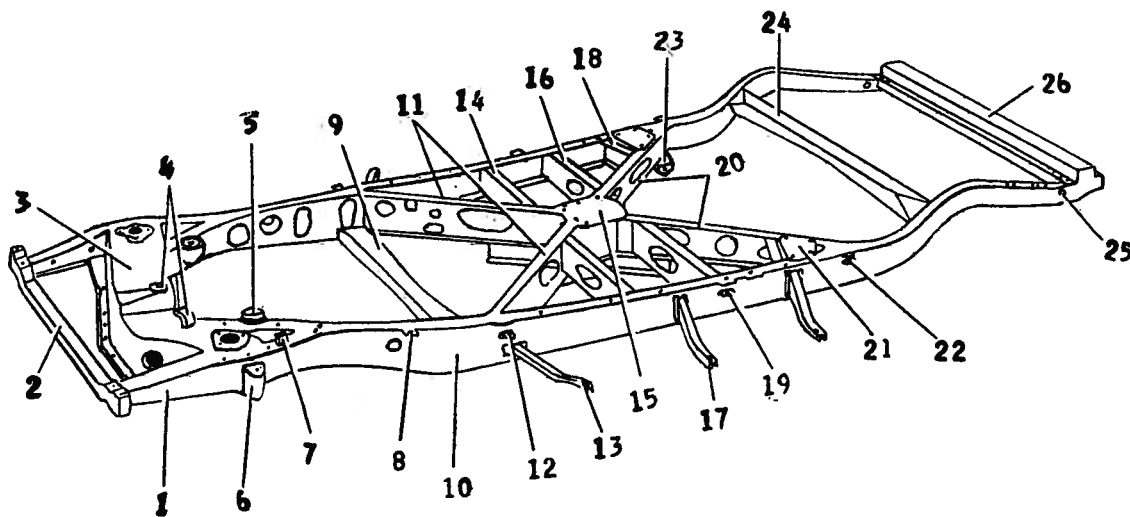
Item Part No.	Description	Price	Item Part No.	Description	Price
BO-205611	Tail lamp, 4 D.	7.25	4 BO-205637	Base plate Assy., up, L.	.....
BO-205615	Tail lamp, club cpe., cv.	7.25	5 BO-205639	Base plate Assy., low, L.	.29
1 BO-206027	Socket & brkt.	.40	6 BO-205645	Pad, lamp, 4 D.	.50
2 BO-148262	Wire Assy., 4 D.	1.35	6 BO-205643	Pad, lamp, ex. 4 D.	.50
2 BO-148263	Wire Assy., ex. 4 D.	1.35	7 BO-205633	Lens, L.	1.44
3 BO-205635	Bezel, lamp, L.	3.00	8 BO-205640	Gasket, lens	.35



### REAR OF CAR

#### REAR BUMPER ASSEMBLY

Item Part No.	Description	Price
1 C-206961	Outside bar	22.50
2 BZ-206820	Guard, L. fen.	9.75
3 C-206963	Frame bar Assy., L.	4.98
4 C-208839	Exten. bar, L.	8.25
5 BZ-208823	Clamp, exten.	1.00



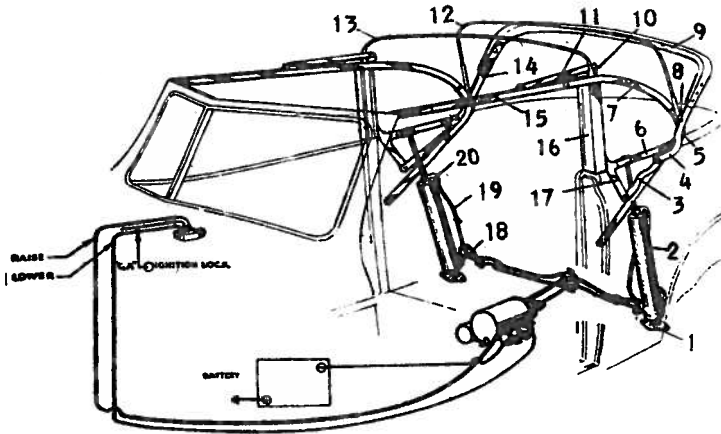
### FRAME ASSEMBLY

Item Part No.	Description	Price	Item Part No.	Description	Price	Item Part No.	Description	Price
1 C-164655	Frame Assy., 52	75.00	7 BZ-159906	Brkt., brake tube	.25	21 BZ-160306	Gussett, upper, R. sprg. brkt., cv.	.81
1 C-164659	Frame Assy., 54, ex. cv.	75.00	8 BZ-159909	Brkt., #1 body bolt	.20	22 BZ-47737	Brkt., #4 body bolt, ex. cv.	.46
1 C-164661	Frame Assy., cv.	90.00	9 C-162248	Member, rear eng. sup.	3.50	22 BZ-154299	Brkt., #4 body bolt, cv.	.52
2 C-159919	Member, fender sup.	2.25	10 C-164317	Side member, ex. cv.	19.95	23 BZ-162274	Front brkt., L. rear sprg.	1.75
3 C-159845	Member, front cross	21.00	10 C-164319	Side member, cv.	18.98	24 C-164336	Cross member, R. axle	6.04
4 C-159910	Member, rad. sup., 54	.35	11 C-162253	Brace, L., front frame member	2.13	25 BZ-152911	Rear mount., R. sprg.	.60
5 BZ-40479	Grommet cup, eng. sup.	.25	12 BZ-47737	Brkt., #2 body bolt	.46	26 C-162250	Cross member, rear	2.00
6 BZ-164667	Brkt., at 1st cross member	.92	14 C-162264	Reinfmt., frame brace, cv., front	2.76			
			15 BZ-162225	Plate, frame brace, ex. cv.	P.O.A.			
			15 BZ-162256	Plate, frame brace, cv.	2.42			
			16 C-162266	Reinfmt., frame brace, rear, cv., long	2.42			
			18 C-162268	Reinfmt., frame brace, rear, cv., short	.92			
			19 BZ-47737	Brkt., #3 body bolt	.46			
			20 C-162258	Rear member, frame brace, ex. cv.	2.13			



# HUDSON 1946 and 1947 BODY PARTS

Commodore. ALL BODY STYLES

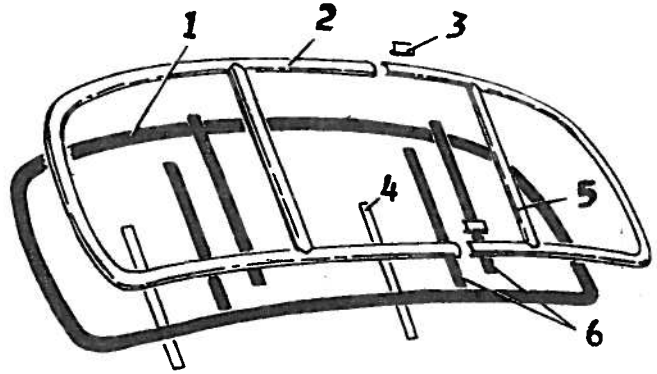


### FOLDING TOP

Item Part No.	Description	Price	Item Part No.	Description	Price
1	BO-147074—Brkt., hyd. cyl., to Ser. 27502	P.O.A.	10	BO-200831—Brkt., upper pillar	2.42
1	BO-209721—Brkt., hyd. cyl., after 27502	1.25	11	BO-200807—Link, pillar to side header	.92
2	BO-200850—Cyl. assy., to Ser. 27502	12.00	12	C-200828—Bow, auxiliary	4.75
2	BO-209722—Cyl. assy., after Ser. 27502	10.65	13	C-200818—Bow, main	P.O.A.
3	BO-200817—Brace, lower, pillar hinge	.23	14	BO-200827—Exten., L. rear bow	2.29
4	BO-200827—Exten., L. rear bow	2.25	15	C-200803—Rail assy., L., pillar side header	7.25
5	BO-200815—Hinge, L. rear pillar	2.42	16	BO-200939—Pillar assy., L.	1.55
6	BO-200816—Brace, upper hinge pillar	.23	17	BO-200813—Hinge., L. front pillar	4.54
7	BO-200821—Link, L.	3.00	18	BO-70661—Elbow, lower hyd. cyl.	.25
8	BO-200848—Pivot screw, aux. bow	.23	19	BO-163469—Hose, to cyl. upper	1.15
9	C-148694—Rear bow	15.00	20	BM-170410—Elbow, up. hyd. cyl.	.25

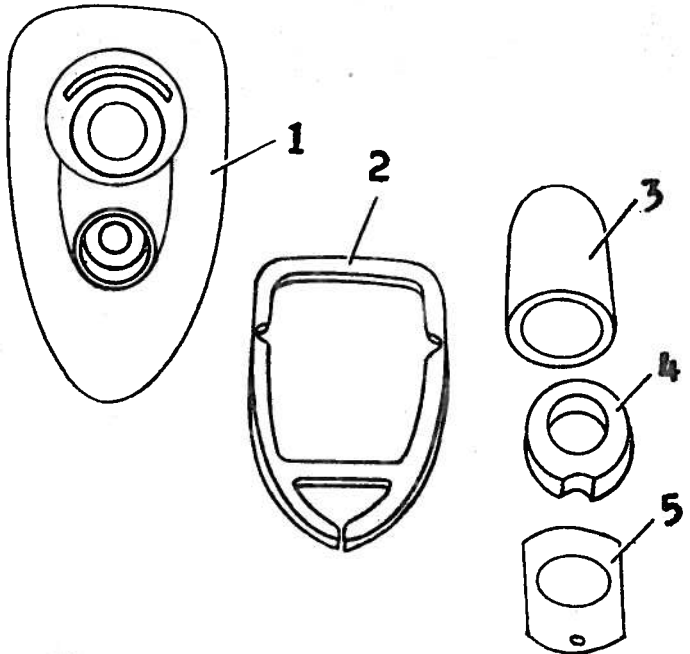
### LICENSE LAMP ASSEMBLY

Item Part No.	Description	Price
1	BO-148350—Lamp assy.	4.50
2	BO-148356—Gasket, lamp housing	.23
3	BO-148352—Lens, lamp	.45
4	BO-148353—Gasket, lens	.17
5	BO-148354—Retainer, lens	.17
	BO-163153—Wires & socket assy., sdn.	.81
	BO-163157—Wires & socket assy., cpes.	.81
	BO-163199—Wires & socket assy., cv.	.81
	BO-161969—Socket assy.	.35



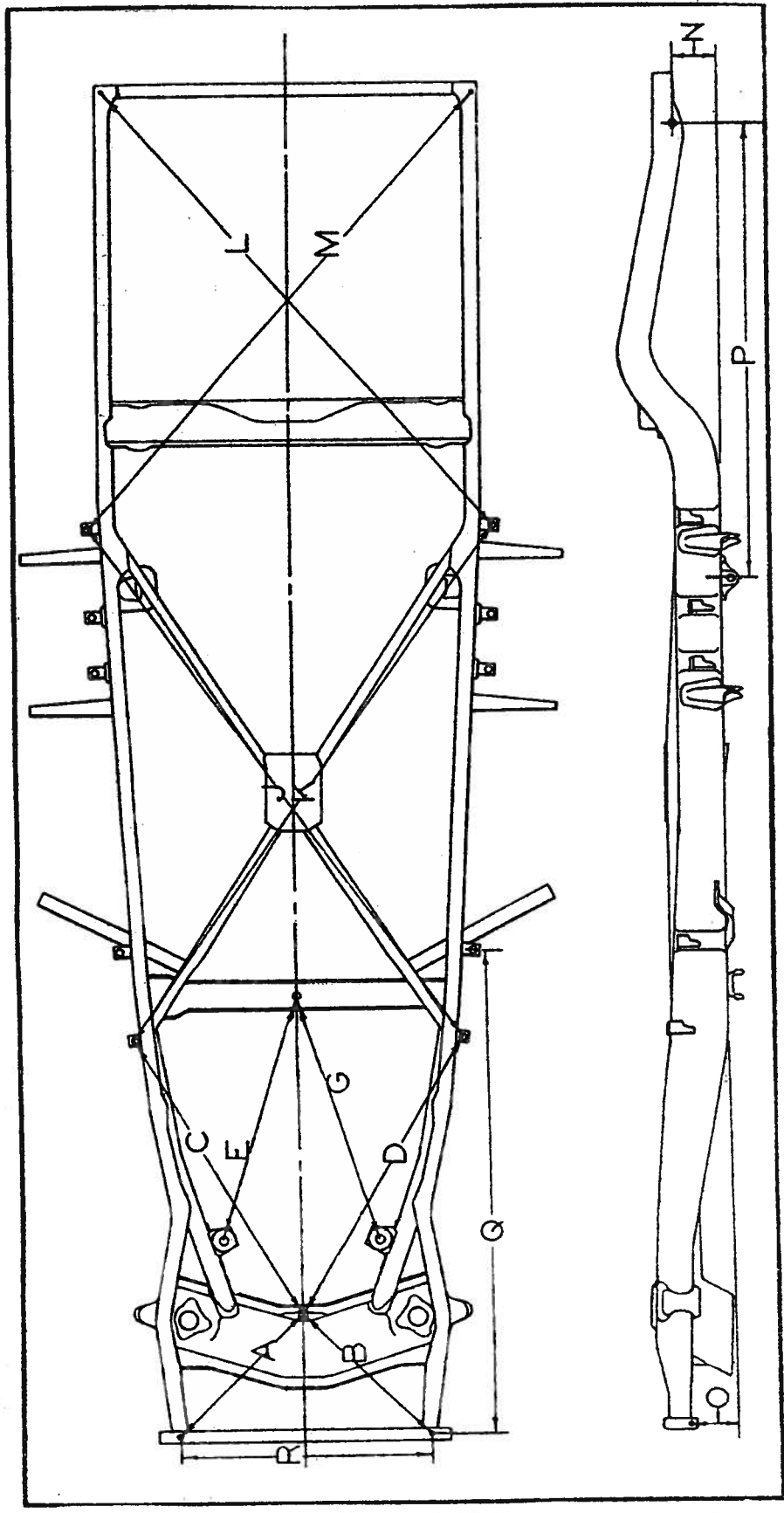
### REAR WINDOW

Item Part No.	Description	Price	Item Part No.	Description	Price
1	C-148626—Wthstp.	5.15	5	BO-204737—Mold, outer glass, ex. cv.	1.00
2	C-148621—Reveal mold.		6	BO-204738—Shim, mold., ex. cv.	.10
3	BO-148622—Cover, reveal mold.				
4	BO-204736—Mold., inner glass, ex. cv.	.75			



# FRAME 1946 and 1947 HUDSON

Commodore Six Series 52-172. ALL BODY STYLES



	A	B	C	D	E	F	G	H	J	K	L	M	N	O	P	Q	R		
6 Cyl.	21	7/16	39	11/16	39	11/16	31		78	15/16	74	3/4	74	3/4	57	5/16	60	30	1/2

Frame dimensions, 6 cylinder models

# HUDSON 1946 and 1947 WIRING

Commodore Six and Eight Series 52-172; 54-174. ALL BODY STYLES

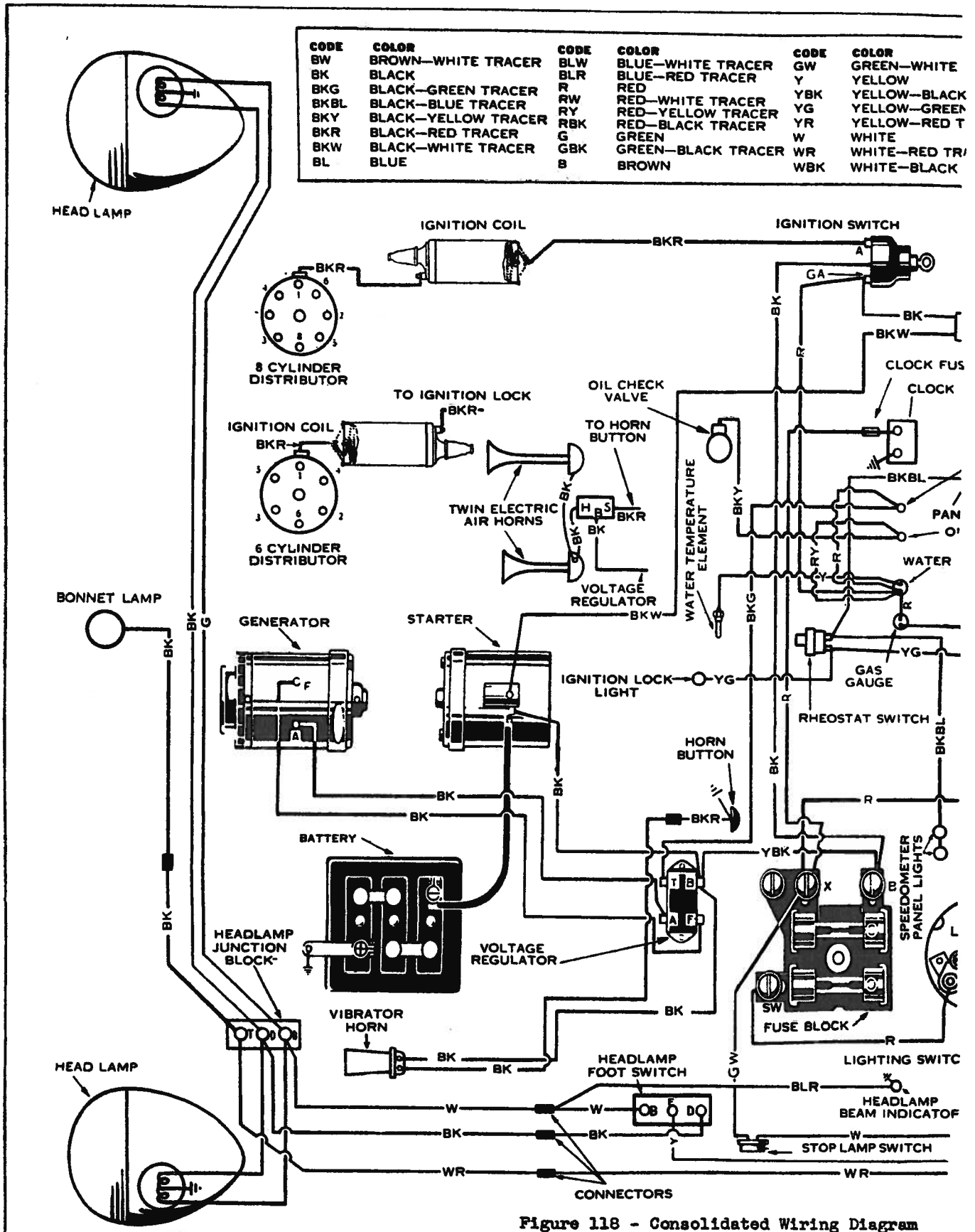


Figure 118 - Consolidated Wiring Diagram

# WIRING 1946 and 1947 HUDSON

## Commodore Six and Eight Series 52-172; 54-174. ALL BODY STYLES

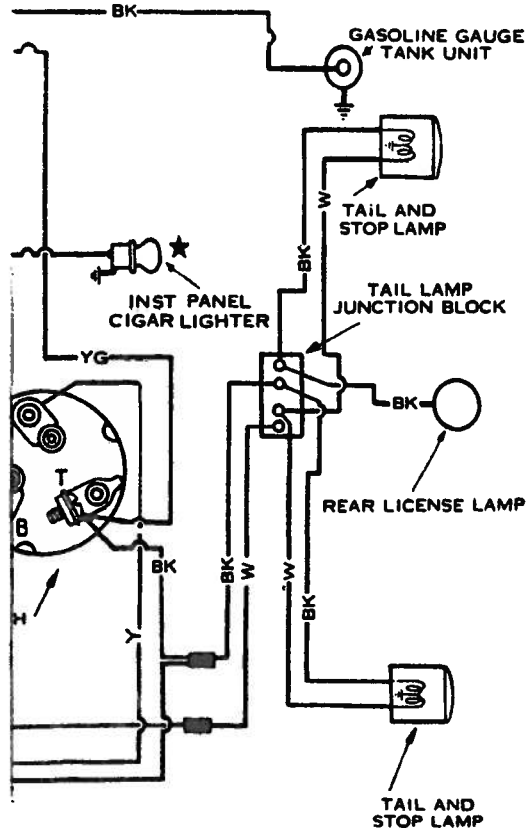
TRACER	Circuit	FUSE DATA	No. Used	Capacity
TRACER	LIGHTING		1	30 AMP.
TRACER	ACCESSORY		1	30 AMP.
TRACER	CLOCK		1	3 AMP.
TRACER	DIRECTION INDICATOR		1	10 AMP.
TRACER	WEATHERMASTER		1	14 AMP.
TRACER	RADIO		1	20 AMP.

 INDICATING FUSE  
 INDICATING WIRE CONNECTOR

STARTER BUTTON  
 GENERATOR SIGNAL

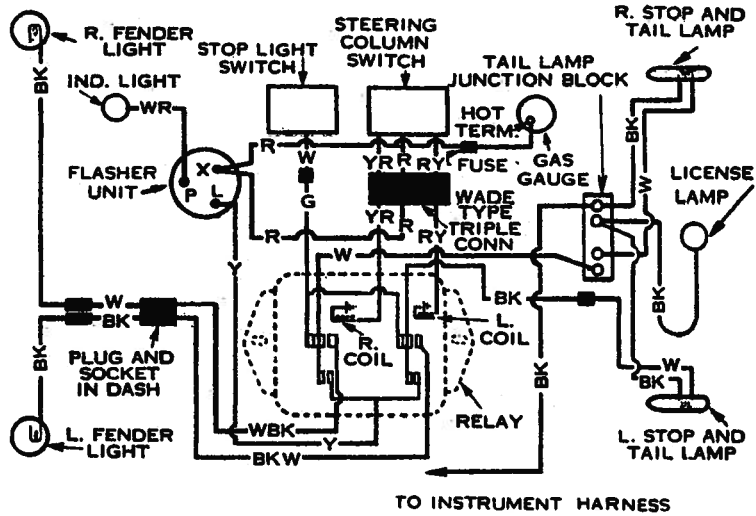
CLOCK  
 PANEL LIGHTS  
 SIGNAL

TEMPERATURE  
 GAUGE

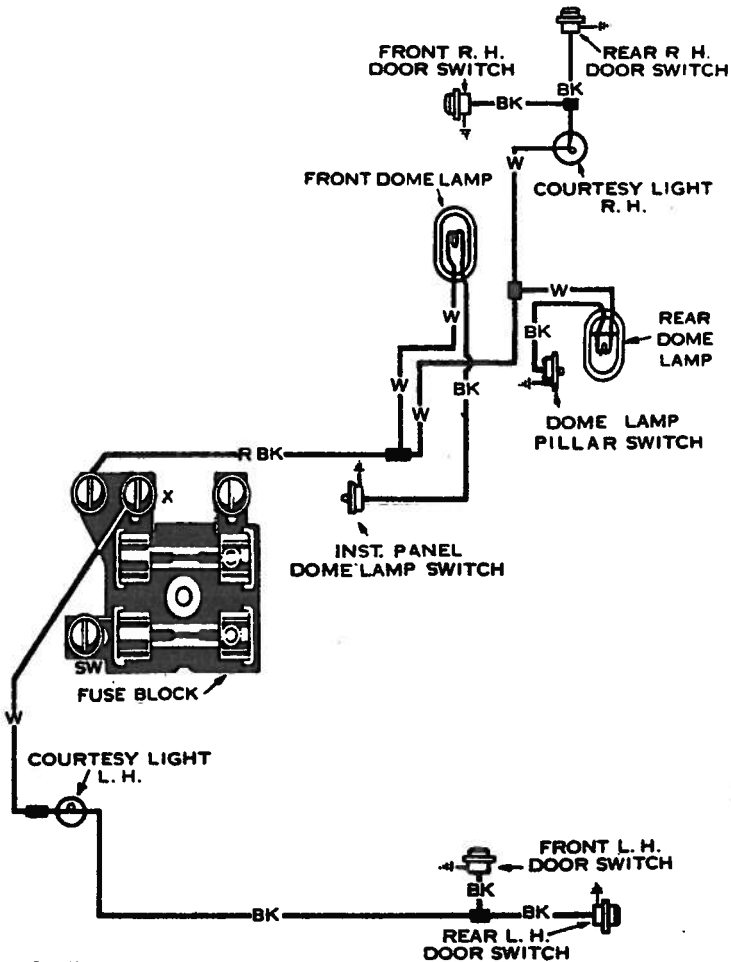


Pertaining to All 1942 Thru 1947

### WIRING FOR DIRECTION INDICATOR

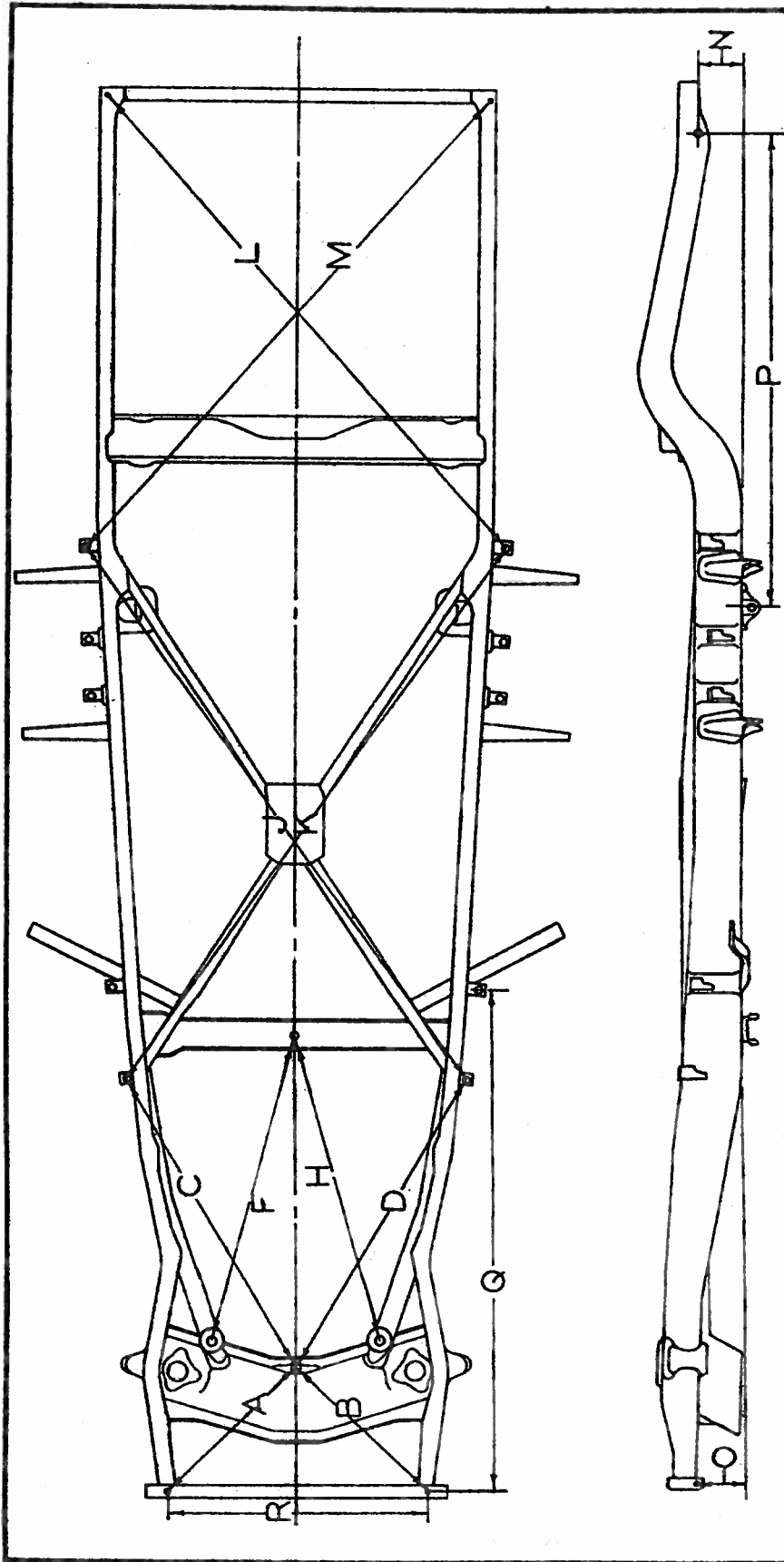


TO INSTRUMENT HARNESS



# HUDSON 1946 and 1947 FRAME

Commodore Eight Series 54-174. ALL BODY STYLES



	A	B	C	D	E	F	G	H.	J	K	L	M	N	O	P	Q	R				
6 Cy.	21	7/16	39	11/16	39	11/16		37 5/8	78	15/16	78	15/16	74	3/4	74	3/4	57	5/16	60	30	1/2

Frame dimensions, 8 cylinder models

# FLAT RATE 1946 and 1947 HUDSON

## Commodore Six and Eight Series 52-172; 54-174. ALL BODY STYLES

Job No.	Chilton Labor Price	Job No.	Chilton Labor Price	Job No.	Chilton Labor Price	Job No.	Chilton Labor Price	Job No.	Chilton Labor Price	Job No.	Chilton Labor Price	Job No.	Chilton Labor Price	Job No.	Chilton Labor Price	Job No.	Chilton Labor Price		
<b>A</b>		<b>A—continued</b>		<b>A—continued</b>		<b>B—continued</b>		<b>C—continued</b>		<b>D</b>		<b>E—continued</b>		<b>E—continued</b>		<b>F—continued</b>		<b>G</b>	
1	2.80	7	2.00	20x	10.00	9	2.00	3	21.00	1	3.00	2	28.00	12	28.00	2	28.00	1	55.00
2	1.75	8	1.25			10	1.75	4	1.75	1a	2.60	3	22.00	13	22.00	3	20.00	2	28.00
3		9	3.60			11	3.25	5	4.00	2	1.75	4	22.00	14	1.25	4	1.75	3	23.00
4	17.60	10				12	3.75	6	2.00	3		5	115.00	15	4.50	5	4.50	5	
4a		11	3.00			13		7		4	10.00	6		16	2.00	6	2.00	7	15.60
4b	2.00	12	4.50	1	8.60	14	3.25	8	4.00	7	15.00	7	15.60	17	2.00	7	2.00	8	
4c	6.00	13		1a	6.00	15	1.25	9		7x		7x		18	12.00	8	4.00	9	80.00
5	10.00	14		2	30.00			10		19	7.00	8		19	12.00	8	4.00	9	
5a	3.00	15	.75	3	22.00			11	3.25	20	3.00	9				9		10	62.00
5b	4.00	16		4	1.75			12	3.75			9x	80.00			10		11	
5c	3.00	17		5	4.00			13				9y	82.00			11		12	
5d	6.00	18	12.00	6	2.00	1	7.50	14	3.25			10				12		13	
6	16.00	20	7.50	7	2.00	1a	5.50	15	1.25			10a	7.50			13		14	
				8	4.80	2	27.00					11	82.00			14	3.00		

### STEERING GEOMETRY

#### 1946 MODELS

- CAMBER: 1/4 to 3/4 degree.
- ASTER: Negative 1/4 to positive 1/4 degree.
- OE-IN: Zero to 1/16 inches.
- STEERING PIN INCLINATION: 3 degree 36 minutes.

#### 1947 MODELS

- CAMBER: 1/2 to 1 1/2 degree.
- ASTER: 1/2 to 1 1/2 degree.
- OE-IN: Zero to 1/16 inches.
- STEERING PIN INCLINATION: 3 degree 36 minutes.

#### ADJUSTMENT—ALL MODELS

ASTER and CAMBER are both controlled by an eccentric pin in the upper control arm outer end.

