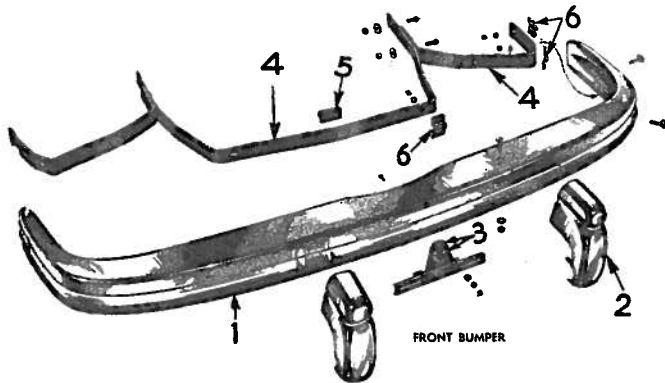


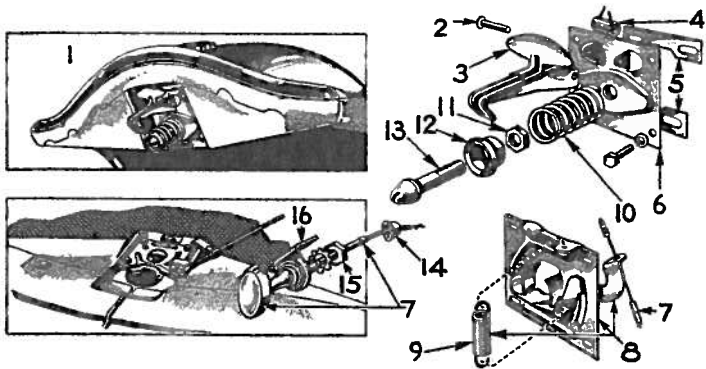
FRAZER 1949 BODY PARTS

Models F495, F496. ALL BODY STYLES



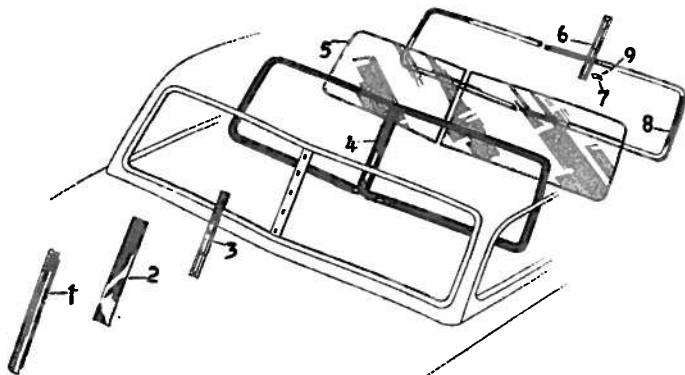
FRONT BUMPER, LEFT SIDE

| Item Part No. | Description | Price | Item Part No. | Description | Price |
|---------------|----------------------|-------|---------------|----------------------|-------|
| 1 | 204126—Bar | 26.30 | 4 | 204132—Sup., out. | 2.40 |
| 2 | 204146—Guard | 7.25 | 5 | 204130—Insulator | .10 |
| 3 | 204116—Bracket, lic. | .70 | 6 | 204127—Plate, spacer | .25 |
| 4 | 204131—Sup., center | 4.40 | | | |



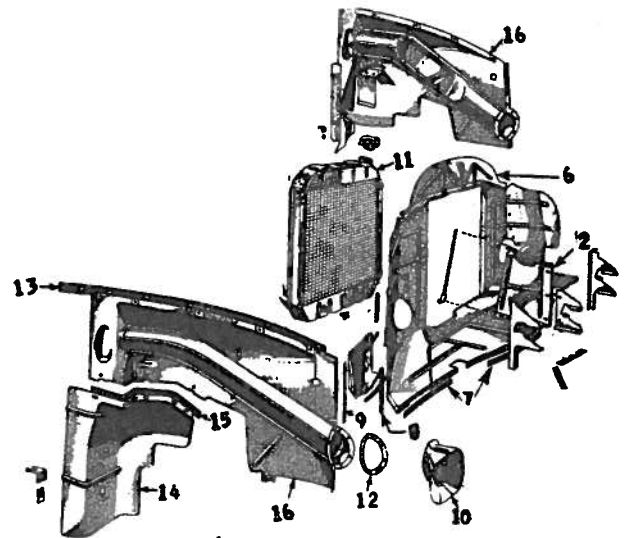
HOOD, LEFT SIDE

| Item Part No. | Description | Price | Item Part No. | Description | Price |
|---------------|----------------------|-------|---------------|-------------------------|-------|
| 1 | 204686—Hood | 39.00 | 10 | 203294—Spring, release | .20 |
| 2 | 203300—Pin, catch | .02 | 11 | 632—Jam nut | .05 |
| 3 | 203298—Catch, safety | .35 | 12 | 203295—Retainer, spring | .15 |
| 4 | 203299—Spring, catch | .02 | 13 | 203293—Bolt, plate | .40 |
| 5 | 203292—Anti-squeak | .01 | 14 | 204305—Grommet, dash | .04 |
| 6 | 203291—Plate & nut | .50 | 15 | 290—Nut | .02 |
| 7 | 204691—Control, lock | 1.90 | 16 | 202053—Bracket, control | .20 |
| 8 | 203296—Plate, latch | .65 | 17 | 200638—Hood medallion | 3.85 |
| 9 | 203297—Spring, latch | .05 | | | |



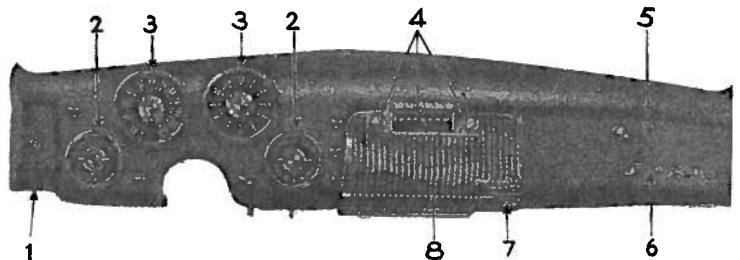
WINDSHIELD, LEFT SIDE

| Item Part No. | Description | Price | Item Part No. | Description | Price |
|---------------|------------------------------|-------|-----------------------------------|---------------------|-------|
| 1 | 205563—Div. bar, out. | 1.00 | 202557—Up., low., 1 3/32", chrome | .40 | |
| 2 | 200685—Weatherseal | .25 | 205078—Up., 4 1/4", chrome | .40 | |
| 3 | 200684—Retainer, bar | .70 | 205079—Low., 4 1/4", chrome | .40 | |
| 4 | 202022—Weatherstrip, W/S. | 5.75 | 8 | Garnish mold., W/S. | |
| 5 | 200648—Glass, W/S | | 208122—Prime | 1.70 | |
| 6 | 200682—Div. bar, in., prime | 1.90 | 205082—Chrome, for 1 3/32" clip | 5.15 | |
| 7 | 202558—Div. bar, in., chrome | 2.20 | 204219—Chrome, for 4 1/4" clip | 4.95 | |
| | Clip, mold. | | 9 | 533—Screw | .04 |
| | 200681—Up., 1 3/32", prime | .30 | | | |
| | 205081—Up., 4 1/4", prime | .35 | | | |
| | 200681—Low., 1 3/32", prime | .30 | | | |
| | 205080—Low., 4 1/4", prime | .35 | | | |



GRILLE & SHROUDS, LEFT SIDE

| Item Part No. | Description | Price | Item Part No. | Description | Price |
|------------------------|-------------------------------------|-------|---|---|-------|
| 1 | 205149—Grille, rad. | 47.50 | 9 | 201807—Anti-squeak, to splash shield | .02 |
| 2 | 204390—Baffle, grille | .50 | 10 | 200613—Air funnel | 2.00 |
| 3 | 204348—Panel, center | 6.95 | 11 | 204360—Rad. core | 60.00 |
| 4 | 204345—Panel exten. | 1.00 | 12 | 202082—Anti-squeak, to air duct | .15 |
| 5 | Anti-squeak strip. | | 13 | 201805—Anti-squeak, fdr. to splash shield | .05 |
| 204343—Panel to fender | .01 | 14 | 204680—Access cover, right only, to splash shield | 3.10 | |
| 204342—To center panel | .01 | 15 | 204682—Anti-squeak, cover to shield | .03 | |
| 205370—To grille | .01 | 16 | 204683—Splash shield, left | 10.00 | |
| 204414—To shroud | .05 | 18 | 204679—Splash shield, right, w/access cover | 10.00 | |
| 6 | 204401—Shroud | 12.50 | | | |
| 7 | 204388—Anti-squeak, in., to shroud | .02 | | | |
| 7 | 204387—Anti-squeak, out., to shroud | .02 | | | |
| 8 | 200626—Anti-squeak, to fdr. | .20 | | | |

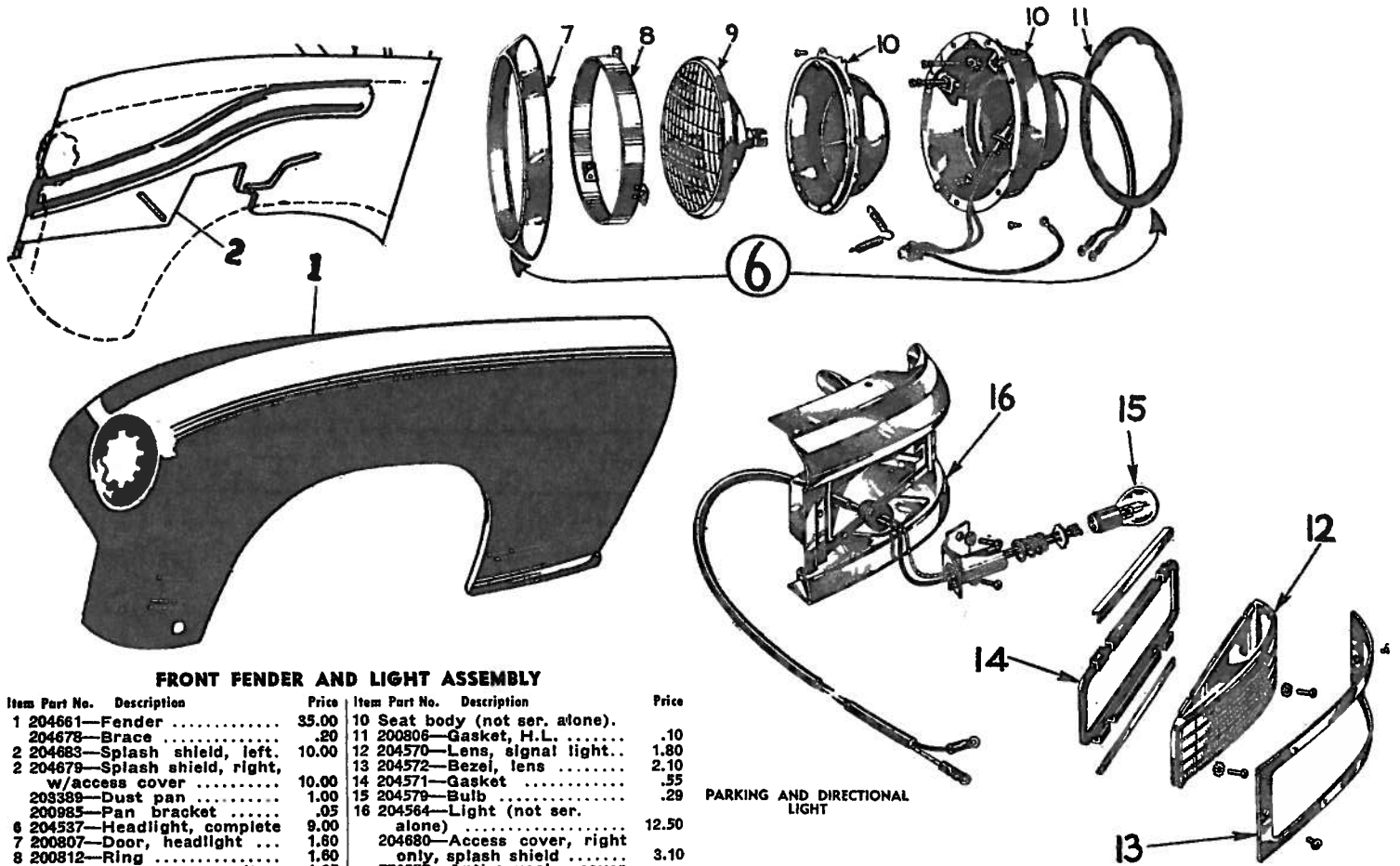


INSTRUMENT PANEL, LEFT SIDE

| Item Part No. | Description | Price | Item Part No. | Description | Price |
|---------------|--------------------------------|-------|---------------|--------------------------------|-------|
| 1 | 205182—Instrument board | 24.50 | 5 | 204951—Door, glove compt., 498 | 3.90 |
| 2 | 204224—Bezel panel, small | .55 | 6 | 204953—Name plate panel | .40 |
| 3 | 204223—Bezel panel, large | .90 | 7 | 204866—Ash receiv. panel | 2.40 |
| 4 | 200002—Radio panel & assy. | 87.50 | 8 | 204976—Grille panel, radio | 4.90 |
| 5 | 204950—Door, glove compt., 495 | 2.90 | | | |

BODY PARTS 1949 FRAZER

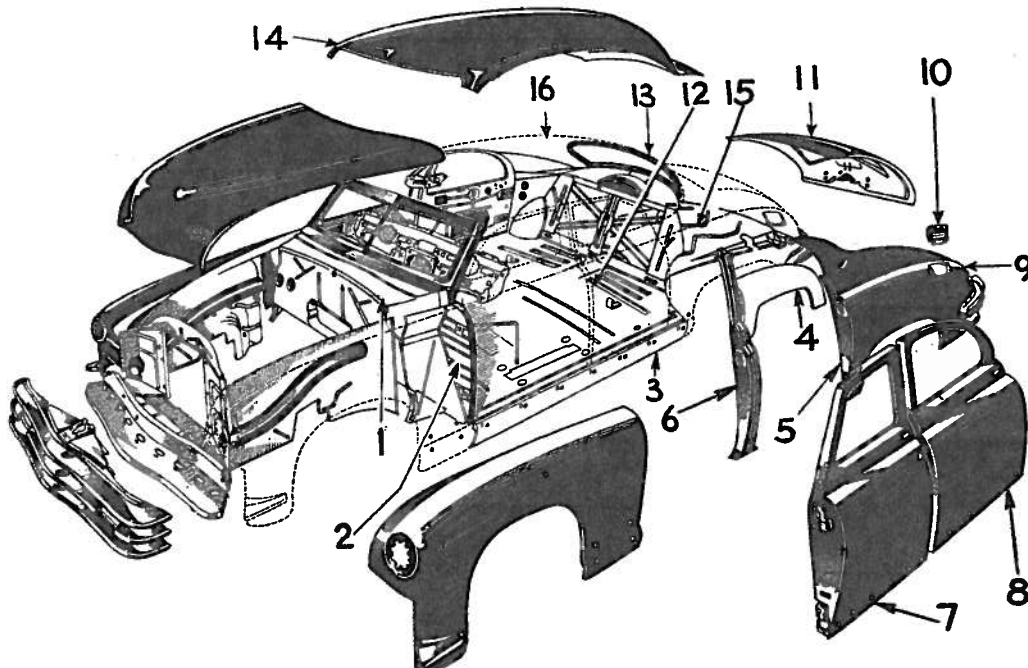
Models F495, F496. ALL BODY STYLES



FRONT FENDER AND LIGHT ASSEMBLY

| Item Part No. | Description | Price | Item Part No. | Description | Price |
|---------------|------------------------------|-------|---------------|--|-------|
| 1 | 204661—Fender | 35.00 | 10 | Seat body (not ser. alone). | .10 |
| | 204678—Brace | .20 | 11 | 200806—Gasket, H.L. | 1.80 |
| 2 | 204683—Splash shield, left. | 10.00 | 12 | 204570—Lens, signal light.. | 2.10 |
| 2 | 204679—Splash shield, right, | | 13 | 204572—Bezel, lens | .55 |
| | w/access cover | 10.00 | 14 | 204571—Gasket | .29 |
| | 203388—Dust pan | 1.00 | 15 | 204579—Bulb | 12.50 |
| | 200985—Pan bracket | .05 | 16 | 204564—Light (not ser. alone) | 3.10 |
| 6 | 204537—Headlight, complete | 9.00 | | 204680—Access cover, right only, splash shield | .03 |
| 7 | 200807—Door, headlight .. | 1.80 | | 204682—Anti-squeak, cover to shield | |
| 8 | 200812—Ring, headlight .. | 1.60 | | | |
| 9 | 200810—Sealed beam unit .. | 1.35 | | | |
| 10 | 200811—Seat, unit | 1.85 | | | |

PARKING AND DIRECTIONAL LIGHT



CAR BODY SHEET METAL, LEFT SIDE

4 DOOR SEDANS

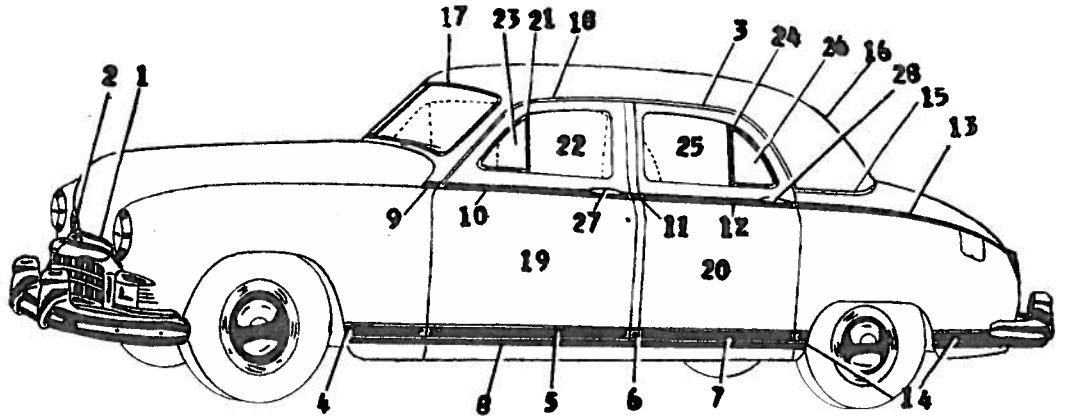
| Item Part No. | Description | Price |
|---------------|---|--------|
| 1 | 205583—Cowl, body front end | 80.00 |
| 2 | 202577—Pillar, frt. hinge .. | 8.85 |
| 3 | 205232—Rocker panel | 3.60 |
| 4 | 204340—Panel, whlhse., rr. out. | 8.85 |
| 4 | 204320—Panel, whlhse., rr. in. | 7.50 |
| 5 | 202910—Facing, rr. dr. lock pillar | 2.25 |
| 6 | 200577—Pillar, center hinge | 12.85 |
| 7 | 204880—Front door, 3 pc... | 54.00 |
| 7 | 204878—Front door, 1 pc.... | 57.30 |
| 8 | 204918—Rear door, 3 pc. ... | 54.00 |
| 8 | 204920—Rear door, 1 pc. ... | 57.30 |
| 9 | 205133—Panel, rear quar. ... | 22.50 |
| 10 | 206005—Cover, fuel tank ... | .75 |
| 11 | 204590—Deck lid | 37.80 |
| 12 | 204325—Pan, rear floor | 22.50 |
| 13 | 204259—Frame, rr. window open. | 2.65 |
| 13 | 205668—Frame, rr. window. | 31.25 |
| 14 | 200582—Panel, roof | 38.00 |
| 15 | 204324—Panel, low deck .. | 2.25 |
| 16 | 204168—Body shell, w/drs. & dk., F495 | 615.00 |
| 16 | 204170—Body shell, w/drs. & dk., F496 | 615.00 |
| 16 | 204178—Body shell, w/o drs. & dk., F495 | 445.00 |
| 16 | 204181—Body shell, w/o drs. & dk., F486 | 445.00 |

FRAZER 1949 BODY PARTS

Models F495, F496. ALL BODY STYLES

CAR BODY CHROME & TRIM MOLDINGS, LEFT SIDE 4 DOOR SEDANS

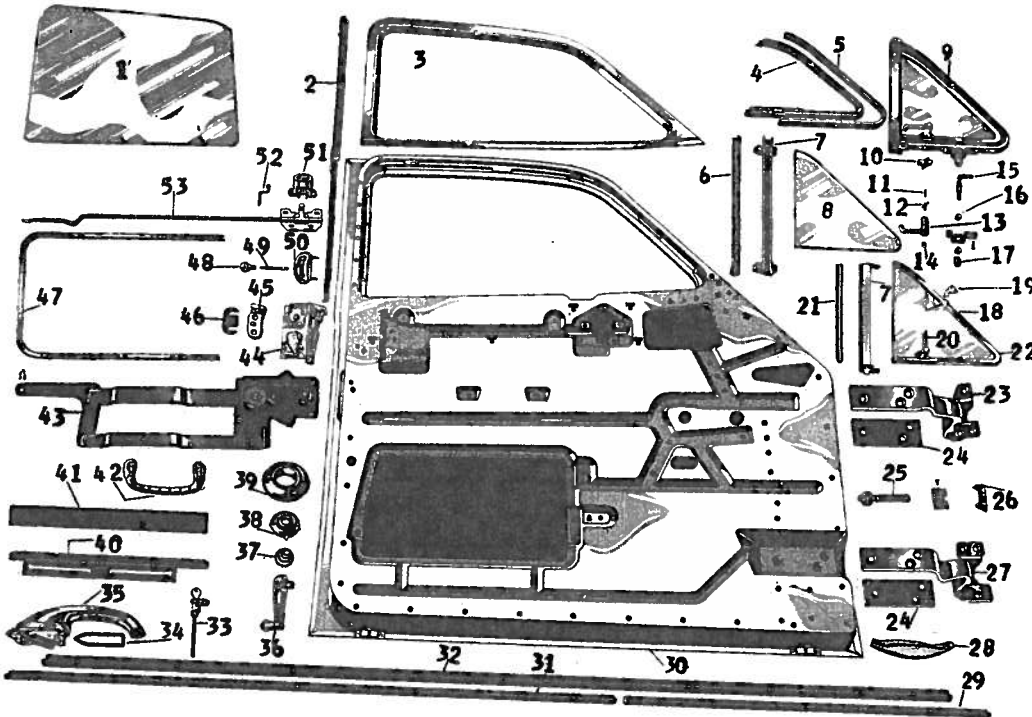
| Item | Part No. | Description | Price |
|------|----------|-------------------------------------|-------|
| 1 | 204689 | Mold., hood | 4.35 |
| 2 | 200638 | Medallion, hood | 3.85 |
| 3 | 202330 | Drip mold. | 1.20 |
| 4 | 203105 | Mold., frt. fdr., F496 | 1.60 |
| 5 | 205099 | Mold., frt. dr., low, F496 | 2.95 |
| 6 | 205106 | Mold., ctr. pillar, F496 | .65 |
| 7 | 205100 | Mold., rr. dr., low, F496 | 2.50 |
| 8 | 204812 | Mold., rock. panel, 13 1/2" | 3.90 |
| 8 | 204814 | Mold., rock. panel, 3 15/16" | 11.50 |
| 9 | 204831 | Mold., cowl crease | .60 |
| 10 | 204827 | Mold., frt. dr. up. crease | 1.80 |
| 11 | 204833 | Mold., ctr. pillar, up. crease | .60 |
| 12 | 204829 | Mold., rear dr. up. crease | 1.65 |
| 13 | 204836 | Mold., rear quar. panel, up. crease | 2.25 |
| 14 | 205110 | Mold., rear quar. panel, low, F496 | .75 |
| | 205162 | Rear, up., F496 | 1.60 |
| | 205163 | Rear, low, F496 | 1.00 |
| 15 | 200687 | Mold., rear belt, out., F495 | 1.90 |
| 15 | 200688 | Mold., rear belt, ctr., F495 | .35 |



| Item | Part No. | Description | Price |
|------|----------|---------------------------------|-------|
| 17 | 202597 | Mold., rear belt, out., F496 | 2.50 |
| 5 | 202598 | Mold., rear belt, ctr., F496 | .25 |
| 16 | 202025 | Mold., rear wind. finish | 3.40 |
| 16 | 204227 | Mold. joint, rear window finish | .10 |
| 17 | 202028 | W/S mold., out. | 2.85 |

| Item | Part No. | Description | Price |
|------|----------|--------------------------|-------|
| 17 | 205563 | W/S div. bar | 1.00 |
| 18 | 202740 | Mold., roof drain trough | 2.00 |
| 19 | 204880 | Front door, 3 pc. | 54.00 |
| 19 | 204878 | Front door, 1 pc. | 57.30 |
| 20 | 204918 | Rear door, 3 pc. | 54.00 |
| 20 | 204920 | Rear door, 1 pc. | 57.30 |
| 21 | 203005 | Div. bar, frt. dr. vent. | 3.00 |

| Item | Part No. | Description | Price |
|------|----------|--------------------------|-------|
| 22 | 200642 | Glass, front door | ... |
| 23 | 200750 | Glass, frt. door vent. | ... |
| 24 | 203008 | Div. bar, rear dr. vent. | 2.75 |
| 25 | 200645 | Glass, rear door | ... |
| 26 | 200770 | Glass, rear door vent. | ... |
| 27 | 204196 | Handle, frt. door | 3.00 |
| 28 | 204196 | Handle, rear door | 3.00 |



1 PC. FRONT DOOR, HARDWARE LEFT SIDE 4 DOOR SEDANS

| Item | Part No. | Description | Price |
|------|----------|---|-------|
| 1 | 200642 | Glass | .35 |
| 2 | 204709 | Run, glass channel, F495 | 6.00 |
| 3 | 204866 | Mold., garnish, chrome, F496 | 10.50 |
| 4 | 200757 | W/S, vent. frame | 1.00 |
| 5 | 204210 | Retainer, W/S | .35 |
| 6 | 202285 | W/S, div. bar | .40 |
| 7 | 203005 | Bar, div. | 3.00 |
| 8 | 200750 | Glass, vent. | ... |
| 9 | 202533 | Ventilator, complete, To, F495-7847, 496-6344 | 16.00 |

| Item | Part No. | Description | Price |
|------|----------|---|-------|
| | 204714 | After, F495-7847, 496-6344 | 16.00 |
| 10 | 204723 | Shaft, vent. handle | .40 |
| 11 | 200764 | Spring, vent. handle | .01 |
| 12 | 200762 | Key, vent. handle | .15 |
| 13 | 200759 | Handle, ventilator, To, F495-7847, 496-6344 | .55 |
| | 205495 | After, F495-7847, 496-6344 | .55 |
| 14 | 200763 | Button, push, vent. handle, To, F495-7847, 496-6344 | .15 |
| | 205497 | After, F495-7847, 496-6344 | .15 |
| 15 | 204480 | Pivot, low. vent. | .35 |
| 16 | 200735 | Stop, low. pivot | .05 |

| Item | Part No. | Description | Price |
|------|----------|--|-------|
| 17 | 200752 | Spring, low. pivot | .10 |
| 18 | 203015 | Bracket, up. hinge, vent. | .02 |
| 19 | 205479 | Hinge, up. vent. | .15 |
| 20 | 204213 | Handle, complete, vent., To, F495-7847, 496-6344 | 1.25 |
| | 205493 | After, F495-7847, 496-6344 | 1.25 |
| 21 | 200771 | Seal, vent. frame | .20 |
| 22 | 200749 | Handle, glass, vent., To, F495-7847, 496-6344 | 8.00 |
| | 204716 | After, F495-7847, 496-6344 | 8.00 |
| 23 | 204905 | Hinge, dr. up. | 2.25 |
| 24 | 202903 | Anti-squeak, dr. hinge | .02 |

| Item | Part No. | Description | Price |
|------|----------|-------------------------------------|-------|
| 25 | 204908 | Arm, door check | .45 |
| 26 | 202403 | W/S, low. hinge filler | .15 |
| 27 | 204907 | Hinge, dr. low. | 1.65 |
| 28 | 202400 | W/S, hinge pillar, up. | .25 |
| 29 | 205448 | W/S, hinge pillar, low. | 2.00 |
| 30 | 204878 | Door | 57.30 |
| 31 | 203972 | W/S, door, low. | .60 |
| 32 | 205492 | W/S, dr. up. & lock pillar | .90 |
| 33 | 203880 | Lock cyl. & key | 1.40 |
| 34 | 204910 | Gasket, handle | .02 |
| 35 | 204196 | Handle, door | 3.00 |
| 36 | 204728 | Handle, rgltr., F495, chrome | 1.25 |
| 36 | 204729 | Handle, rgltr., F496, chrome | 1.50 |
| 37 | 200658 | Spring, handle | .02 |
| 38 | 204731 | Escutcheon, handle, F495 | .40 |
| 38 | 204732 | Escutcheon, handle, F496 | .65 |
| 39 | 204864 | Escutcheon, push btn., F495, R.H.D. | .60 |
| 40 | 204707 | Channel, glass, low. | .60 |
| 41 | 204708 | Seal, glass | .20 |
| 42 | 204901 | Handle, remote cntrl. assist. | 1.50 |
| 43 | 204725 | Reglitr., glass, complete | 3.25 |
| 44 | 204190 | Lock, door | 3.50 |
| 45 | 200579 | Plate, striker | 1.00 |
| 46 | 202251 | Shim, plate | .04 |
| 47 | 205321 | W/S, door glass | 1.40 |
| 48 | 204889 | Button, lock. rod | .20 |
| 49 | 204888 | Rod, lock locking | .02 |
| 50 | 206638 | Escutcheon, lock locking rod | .50 |
| 51 | 204863 | Button, rem. cntrl. rod push | .35 |
| 52 | 204865 | Spring, push button | .04 |
| 53 | 204860 | Rod, remote control | 1.45 |

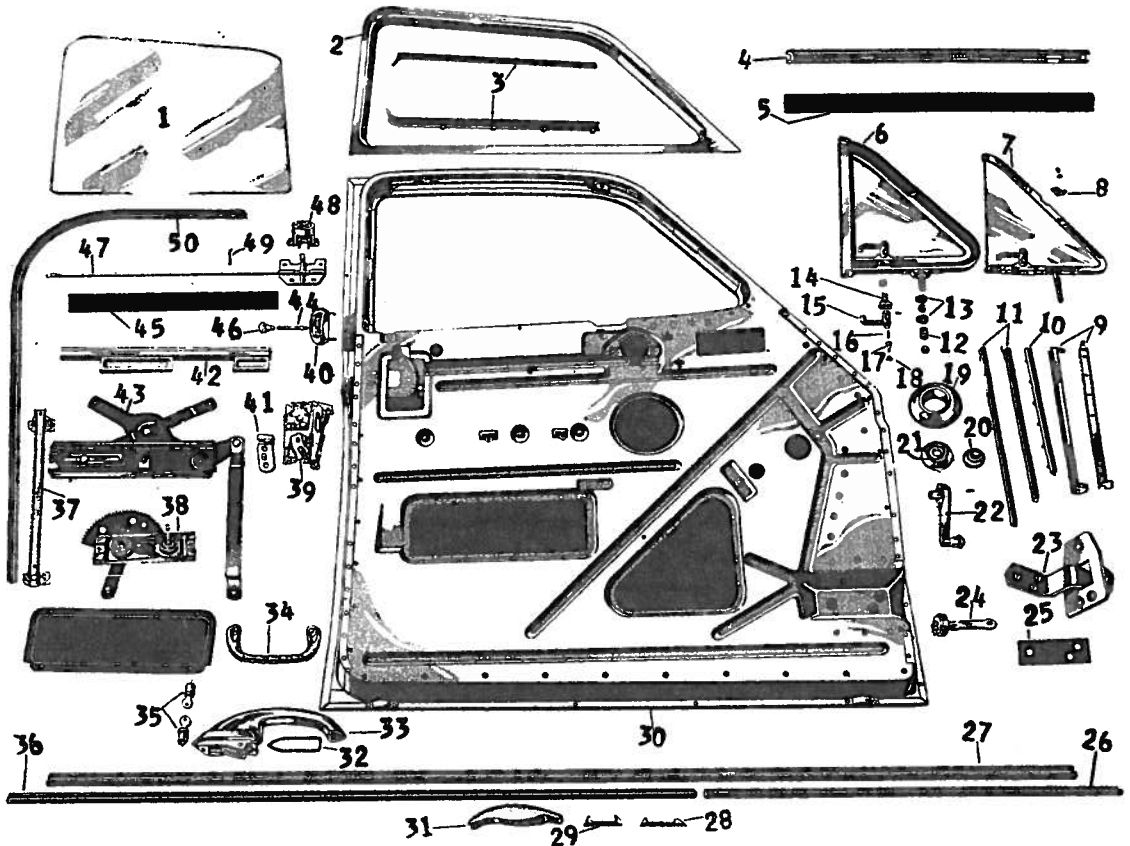
BODY PARTS 1949 FRAZER

Models F495, F496. ALL BODY STYLES

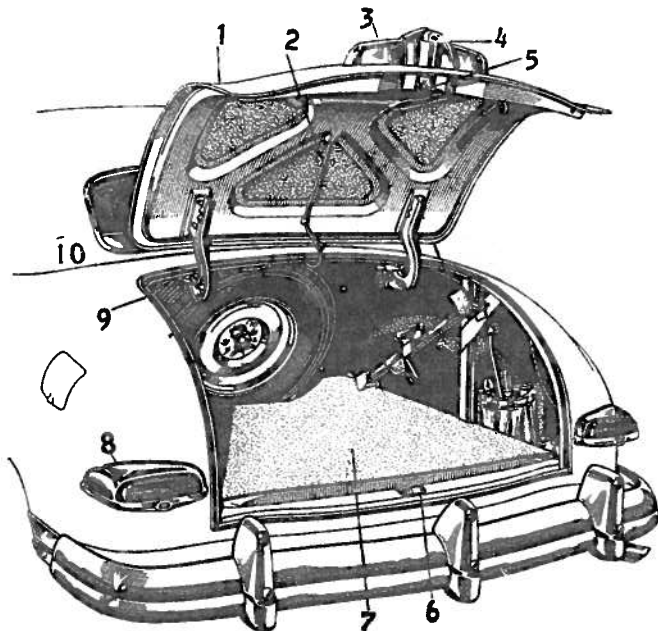
PC. FRONT DOOR, HARDWARE, LEFT SIDE

4 DOOR SEDANS

| Item Part No. | Description | Price |
|---------------|--|-------|
| 200642 | Glass | 6.00 |
| 205382 | Mold., garnish, 495, gray | 10.50 |
| 204866 | Mold., garnish, 496, chrome | .35 |
| 202918 | W/strip, in. | .45 |
| 202044 | W/strip, out. | .20 |
| 200771 | Seal, vent. glass | 1.00 |
| 200757 | W/strip, vent., F. | |
| 6 | Ventilator, complete. | |
| 202533 | To, 495-7847, 496-6344 | 16.00 |
| 204714 | After, 495-7847, 496-6344 | 16.00 |
| 7 | Frame & glass vent. | |
| 200749 | To, 495-7847, 496-6344 | 8.00 |
| 204716 | After, 495-7847, 496-6344 | 8.00 |
| 8 | 205479—Hinge, up. vent. | .15 |
| 9 | 203005—Bar, div. | 3.00 |
| 10 | 202285—W/strip, div. bar | .40 |
| 11 | 202528—Run, up. door | .20 |
| 12 | 202529—Run, low. door | .35 |
| 13 | 200752—Spring, low. pivot | .10 |
| 14 | 200755—Stop, low. pivot | .05 |
| 15 | 204723—Shaft, vent. handle. | .40 |
| 15 | Handle, ventilator. | |
| 200759 | To, 495-7847, 496-6344 | .35 |
| 205495 | After, 495-7847, 496-6344 | .55 |
| 16 | 200764—Spring, vent. handle | .01 |
| 17 | 200762—Key, push button | .15 |
| 18 | Push btn., vent. hdl. | |
| 200763 | To, 495-7847, 496-6344 | .15 |
| 205497 | After, 495-7847, 496-6344 | .15 |
| 19 | 204864—Escutcheon, push btn., F495, R.H.D. | .60 |
| 20 | 200658—Spring, reg. handle. | .02 |
| 21 | 204731—Escutcheon, handle, F495 | .40 |
| 21 | 204732—Escutcheon, handle, F496 | .65 |
| 22 | 204728—Handle, regltr., F495 | 1.25 |
| 22 | 204729—Handle, regltr., F496 | 1.50 |
| 23 | 200590—Hinge, low., dr. | 1.65 |
| 23 | 200588—Hinge, up., dr. | 1.65 |
| 24 | 201568—Arm, check | .25 |
| 25 | 202903—Anti-squeak, hinge, up. | .02 |
| 25 | 202804—Anti-squeak, hinge to dr. | .02 |



| Item Part No. | Description | Price | Item Part No. | Description | Price | Item Part No. | Description | Price |
|---------------|--|-------|---------------|--|-------|---------------|---------------------------------|-------|
| 26 | 205448—W/strip, low. hinge pillar | .30 | 33 | 204196—Handle, door | 3.00 | 42 | 200644—Channel, glass ret. | .60 |
| 27 | 205492—W/strip, dr., up. & lock pillar | .90 | 34 | 204901—Handle, remote control assist., F495, 496 | 1.50 | 43 | 200707—Lifter, glass | 1.00 |
| 28 | 202403—W/strip, low. hinge pillar | .15 | 35 | 203880—Lock cyl. & keys | 1.40 | 44 | 204888—Rod, locking | .20 |
| 29 | 202402—W/strip, up. hinge. | .15 | 36 | 203972—W/strip, door, low. | .60 | 45 | 202527—Seal, glass | .20 |
| 30 | 204880—Door | 54.00 | 37 | 200599—Retainer, glass run | 1.00 | 46 | 204869—Button, lock rod | 1.45 |
| 31 | 202400—W/strip, up. hinge pillar | .25 | 38 | 202535—Regulator | 2.15 | 47 | 204860—Rod, remote cntrl. | |
| 32 | 204910—Gasket, handle | .02 | 39 | 204190—Lock, door | 3.50 | 48 | 204863—Button, rem. cntrl. push | .35 |
| | | | 40 | 206638—Escutcheon, lock. | .50 | 49 | 204865—Spring, push button | .04 |
| | | | 41 | 200579—Plate, striker | 1.00 | 50 | 204530—Run, door glass | .15 |



REAR DECK LID, LEFT SIDE

4 DOOR SEDANS

| Item Part No. | Description | Price |
|---------------|--------------------------------------|-------|
| 1 | 204590—Lid, deck | 37.80 |
| 2 | 204600—Cable assembly | .70 |
| 3 | 204594—Light, license, assy. | 12.50 |
| 4 | 204598—Handle, deck lid | 3.45 |
| 5 | 204517—Latch, deck lid | .30 |
| 6 | 204518—Bracket, lid latch | .15 |
| 7 | 205263—Mat, rear compartment, F495 | 2.75 |
| 7 | 205264—Carpet, rr. compartment, F496 | 8.75 |
| 8 | 204606—Light, tail | 9.35 |
| 9 | 202056—W/Strip, upper | 3.00 |
| 9 | 202057—W/Strip, lower | 1.65 |
| 10 | 202303—Hinge, deck lid | 3.35 |

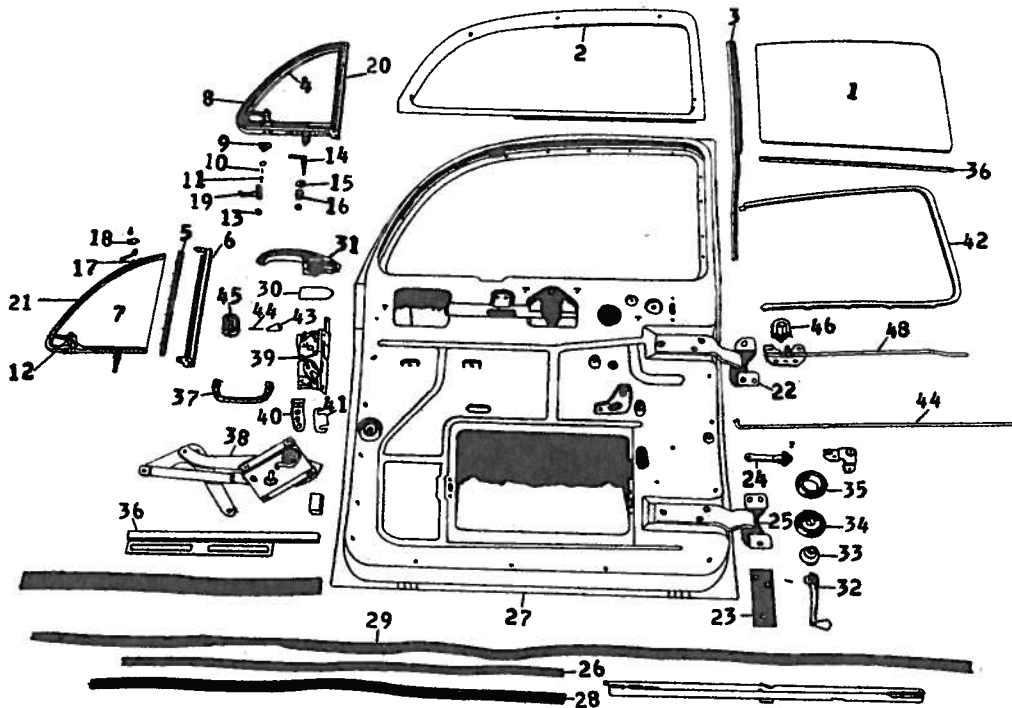
| Item Part No. | Description | Price |
|---------------|---------------------------------|-------|
| 1 | 204591—Lid, deck | 37.80 |
| 2 | 204600—Cable assembly | .70 |
| 3 | 204594—Light, license, assy. | 12.50 |
| 4 | 204598—Handle, deck lid | 3.45 |
| 5 | 204517—Latch, deck lid | .30 |
| 6 | 204518—Bracket, lid latch | .15 |
| 7 | 206097—Carpet, rear compartment | 8.75 |
| 8 | 204606—Light, tail | 9.35 |
| 9 | 202056—W/Strip, upper | 3.00 |
| 9 | 202057—W/Strip, lower | 1.60 |
| 10 | 204593—Hinge, deck lid | 2.15 |

FRAZER 1949 BODY PARTS

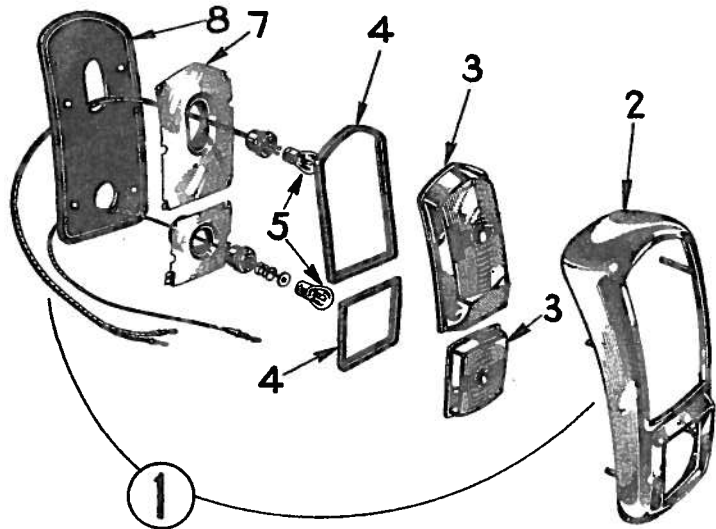
Models F495, F496. ALL BODY STYLES

1 PC. REAR DOOR HARDWARE LEFT SIDE 4 DOOR SEDANS

| Item Part No. | Description | Price |
|---------------|--|-------|
| 1 | 200645—Glass | 5.00 |
| 2 | 204198—Molding, garnish (gray) F495 | 10.50 |
| 2 | 204812—Molding, garnish (chrome), F496 | .65 |
| 3 | 205633—Run, dr. glass chan. | 1.00 |
| 4 | 200777—W/S, vent. frame | .40 |
| 5 | 202287—W/S, division bar | 2.75 |
| 6 | 203008—Bar, vent. division | |
| 7 | 200770—Glass, ventilator | |
| 8 | Ventilator, complete | |
| | 202542—To, F495-7847, 496-6344 | 15.75 |
| | 204744—After, F495-7847, 496-6344 | 15.75 |
| 9 | 204723—Shaft, vent. handle | .40 |
| 10 | 200764—Spring, vent. handle | .01 |
| 11 | 200782—Key, vent. handle | .15 |
| 12 | Handle, vent., complete | |
| | 204219—To, F495-7847, 496-6344 | 1.25 |
| | 205493—After, F495-7847, 496-6344 | 1.25 |
| 13 | Button, vent. handle | |
| | 200763—To, F495-7847, 496-6344 | .15 |
| | 205497—After, F495-7847, 496-6344 | .15 |
| 14 | 204217—Pivot, vent., lower | .35 |
| 15 | 200773—Stop, lower pivot | .10 |
| 16 | 200792—Spring, lower pivot | .10 |
| 17 | 200773—Plate, upper pivot | .05 |
| 18 | 204216—Pivot, vent., upper | .25 |
| 19 | Handle, ventilator | |
| | 200759—To, F495-7847, 496-6344 | .55 |
| | 205495—After, F495-7847, 496-6344 | .55 |
| 20 | 200771—Seal, vent. frame | .20 |
| 21 | Frame & glass, ventilator | |
| | 200769—To, F495-7847, 496-6344 | 8.00 |
| | 204746—After, F495-7847, 496-6344 | .10 |
| | 205751—After, F495-12132, 496-8801 | 13.00 |
| 22 | 204927—Hinge, upper | 1.65 |
| 23 | 202904—Anti-squeak, hinge | .02 |
| 24 | 204908—Arm, door check | .45 |
| 25 | 204929—Hinge, lower | 1.65 |
| 26 | 205431—W/S, low. hinge pillar | .40 |

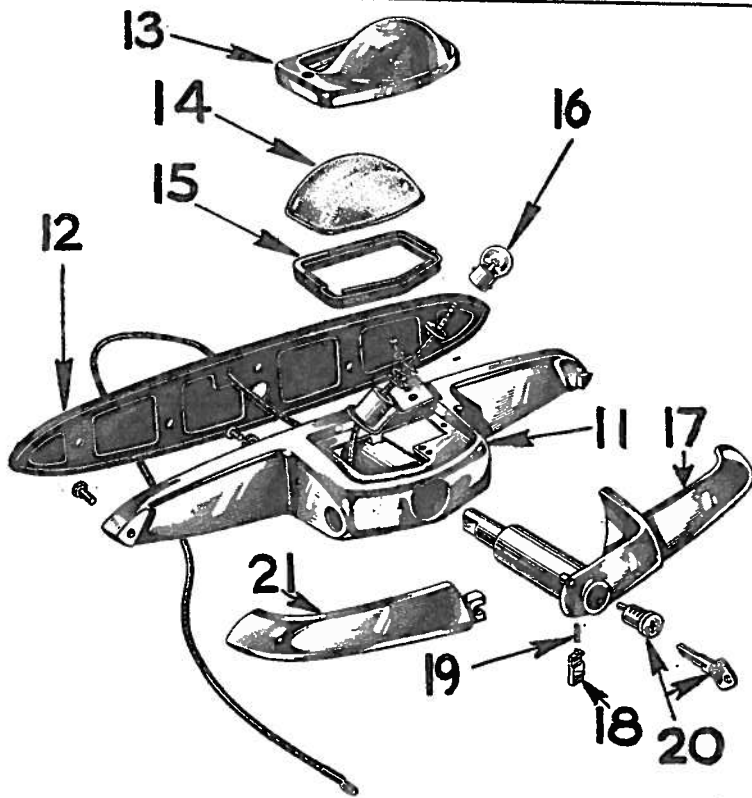


| Item Part No. | Description | Price | Item Part No. | Description | Price | Item Part No. | Description | Price |
|---------------|---------------------------------|-------|---------------|---|-------|---------------|-------------------------------------|-------|
| 27 | 204920—Door | 57.80 | 34 | 204782—Escutcheon, handle, F496 | .65 | 42 | 205323—W/S, door glass | 1.40 |
| 28 | 203878—W/S, door, lower pillar | .45 | 35 | 204864—Escutcheon, rem. ctrl. button (R.H.D.), F495 | .04 | 43 | 204889—Button, locking rod | .20 |
| 29 | 203492—W/S, dr. up. & lock | .90 | 36 | 204735—Channel, lower | .60 | 44 | 204204—Rod, crank to locking rod | |
| 30 | 204910—Gasket, handle | .02 | 37 | 204901—Handle, dr. lock rem. ctrl. assist | 1.50 | 45 | 204888—Rod, lock locking | .02 |
| 31 | 204196—Handle, door | 3.00 | 38 | 204748—Regulator, complete | 3.25 | 46 | 204863—Escutcheon, lock locking rod | .50 |
| 32 | 204728—Handle, reg., F495 | 1.25 | 39 | 204202—Lock, door | 3.00 | 47 | 204863—Button, rem. ctrl. rod push | .35 |
| 33 | 202658—Handle, reg., F496 | 1.50 | 40 | 200579—Plate, striker | 1.00 | 48 | 204885—Spring, push button | .04 |
| 34 | 204731—Spring, reg. handle | .12 | 41 | 202251—Shim, plate | .04 | | | |
| 35 | 204731—Escutcheon, handle, F495 | .40 | | | | | | |



REAR & TAIL LAMPS, LEFT SIDE

| Item Part No. | Description | Price | Item Part No. | Description | Price |
|---------------|----------------------------------|-------|---------------|--------------------------|-------|
| 1 | 204606—Tail, stop & direct light | 9.35 | 11 | 204595—Body, lic. lamp | 6.50 |
| 2 | Body (not serviced alone) | | 12 | 205394—Pad | .30 |
| 3 | 204611—Lens, tail & stop | 2.00 | 13 | 205308—Door light | 1.75 |
| 3 | 204615—Lens, direct | 1.30 | 14 | 204596—Lens | .25 |
| 4 | 204613—Gasket, tail & stop | .60 | 15 | 204597—Gasket, lens | .25 |
| 4 | 204617—Gasket, direct | .40 | 16 | 201800—Bulb | .10 |
| 5 | 204578—Bulb, tail & stop | .29 | 17 | 204598—Bulb | .10 |
| 5 | 201360—Bulb, direct | .25 | 18 | 202381—Handle, into body | 3.45 |
| 7 | 205330—Plate, tail & stop | 1.05 | 19 | 202382—Pawl, handle | .25 |
| 7 | 205331—Plate, direct | .30 | 20 | 203882—Spring, handle | .05 |
| 8 | 204609—Pad | .30 | 21 | 204599—Cyl. & key | .95 |
| | | | | Handle, stationary type | 2.80 |



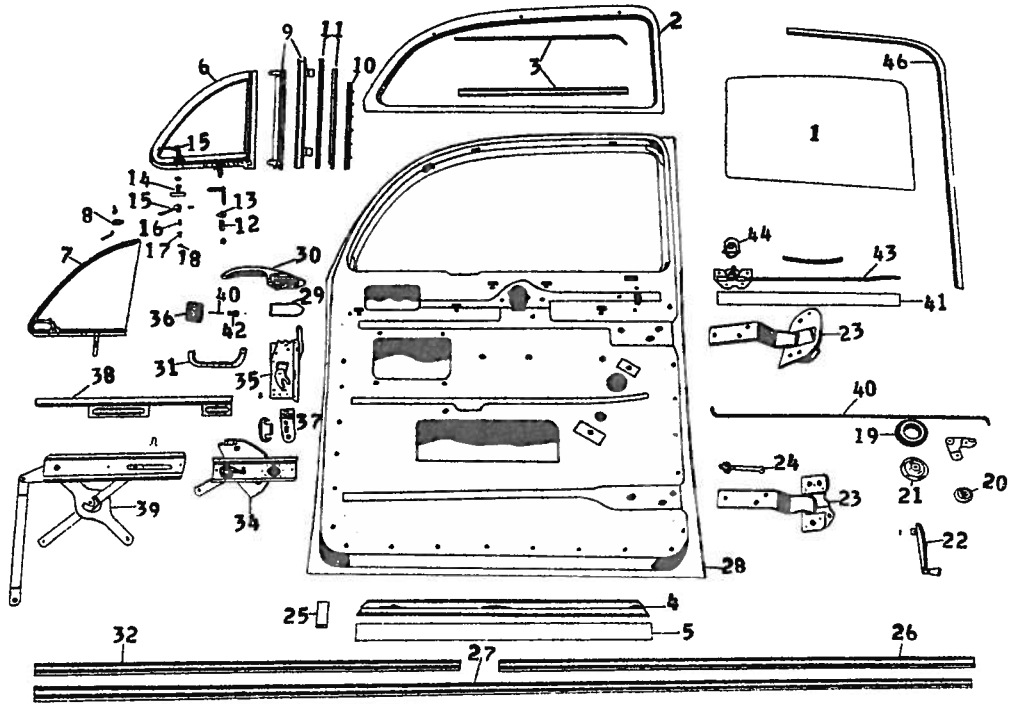
BODY PARTS 1949 FRAZER

Models F495, F496. ALL BODY STYLES

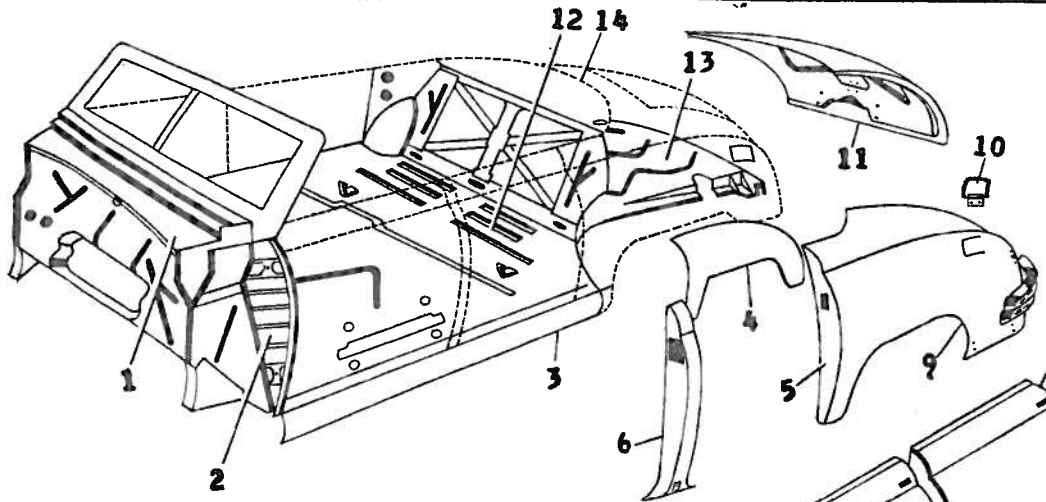
3 PC. REAR DOOR HARDWARE, LEFT SIDE

4 DOOR SEDANS

| Item | Part No. | Description | Price |
|------|----------|--|-------|
| 1 | 200645 | Glass | |
| 2 | 204198 | Mold., garnish, gray, F495 | 5.00 |
| 2 | 204912 | Mold., garnish, chrome, F496 | 10.50 |
| 3 | 202920 | W/strip, in. | .35 |
| 3 | 202047 | W/strip, out. | .45 |
| 4 | 200771 | Seal, vent. frame | .20 |
| 5 | 200777 | W/strip, vent. window | 1.00 |
| 6 | 202542 | Ventilator, complete, To, F495-7847, 496-6344 | 15.75 |
| | 204744 | After, F495-7847, 496-6344 | 15.75 |
| | 205582 | After, F495-12132, 496-8801 | 15.75 |
| 7 | 200769 | Frame & glass, vent. To, F495-7847, 496-6344 | 3.50 |
| | 204746 | After, F495-7847, 496-6344 | 8.65 |
| | 205751 | After, F495-12132, 496-8801 | 13.00 |
| 8 | 204216 | Pivot, vent. up | .25 |
| 9 | 203008 | Bar, div. vent. | 2.75 |
| 10 | 202287 | W/S, div. bar | .40 |
| 11 | 202530 | Run, dr. glass, up | .20 |
| 11 | 202540 | Run, dr. glass, up | .35 |
| 12 | 200752 | Spring, low. pivot, vent. | .10 |
| 13 | 200775 | Stop, low. pivot, vent. | .05 |
| 14 | 204723 | Shaft, vent. window | .40 |
| 15 | 204219 | Handle, vent., complete. To, F495-7847, 496-6344 | 1.25 |
| | 205493 | After, F495-7847, 496-6344 | 1.25 |
| 5 | 200759 | Handle, vent. | .55 |
| 16 | 200764 | Spring, vent. handle | .01 |
| 7 | 200762 | Key, vent. handle | .15 |
| 8 | 200763 | Button, vent. handle. To, F495-7847, 496-6344 | .15 |
| | 205497 | After, F495-7847, 496-6344 | .15 |
| 19 | 204864 | Escutcheon, rem. ctrl. button, F495, R.H.D. | .60 |
| 10 | 202658 | Spring, reg. handle | 2.20 |
| 11 | 204731 | Escutcheon, reg. handle, F495 | .40 |
| 11 | 204732 | Escutcheon, reg. handle, F496 | .65 |



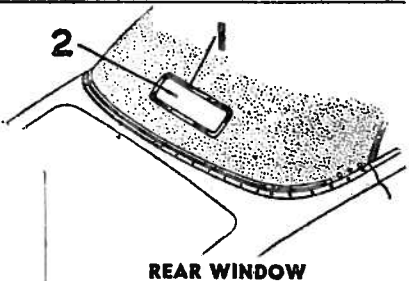
| Item | Part No. | Description | Price | Item | Part No. | Description | Price | Item | Part No. | Description | Price |
|------|----------|---------------------------------|-------|------|----------|-------------------------------------|-------|------|----------|-------------------------------|-------|
| 22 | 204728 | Handle, reg., F495 | 1.25 | 30 | 204196 | Handle, dr. | 3.00 | 39 | 200707 | Lifter, glass | 1.90 |
| 22 | 204729 | Handle, reg., F496 | 1.50 | 31 | 204901 | Handle, dr. lock rem. ctrl. assist. | 1.50 | 40 | 204204 | Rod, crank to locking rod | |
| 23 | 200595 | Hinge, dr., up | 1.65 | 32 | 203978 | W/strip, dr. bottom | .45 | 40 | 204888 | Rod, lock locking | .02 |
| 23 | 200597 | Hinge, dr., low | 1.65 | 33 | 204215 | Retainer, glass run felt | .35 | 41 | 202537 | Seal, window glass | .20 |
| 24 | 201568 | Arm, dr. check | .25 | 34 | 202544 | Regulator, window | 2.15 | 42 | 204889 | Button, locking rod | 1.43 |
| 25 | 202904 | Anti-squeak, dr. hinge | .02 | 35 | 204202 | Lock, door | 3.00 | 43 | 204862 | Rod, remote control | 1.43 |
| 26 | 205431 | W/strip, low. hinge pillar | .40 | 36 | 206838 | Escutcheon, lock locking rod | .50 | 44 | 204863 | Button, remote ctrl. rod push | .35 |
| 27 | 205492 | W/strip, up., dr. & lock pillar | .90 | 37 | 200579 | Plate, striker | 1.00 | 45 | 204865 | Spring, push button, ctrl. | .04 |
| 28 | 204918 | Door | 54.00 | 38 | 200647 | Channel, glass run, low. | .60 | 46 | 202538 | Run, door glass | 1.20 |
| 29 | 204910 | Gasket, dr. handle | .02 | | | | | | | | |



CAR BODY SHEET METAL, LEFT SIDE

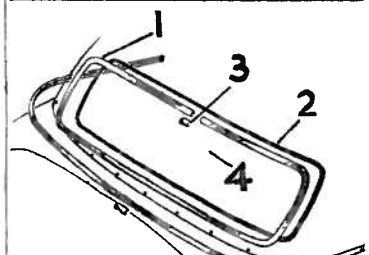
4 DOOR CONVERTIBLES

| Item | Part No. | Description | Price | Item | Part No. | Description | Price |
|------|----------|-------------------------------|-------|------|----------|----------------------------|-------|
| 1 | 204320 | Panel, whisee. rear, in. | 7.50 | 8 | 204922 | Rear door | 60.00 |
| 2 | 205121 | Pillar, frt. hinge | 10.50 | 9 | 208169 | Panel, rear quar. | 21.00 |
| 3 | 205232 | Rocker panel | 3.60 | 10 | 208005 | Cover, fuel tank | .75 |
| 4 | 204340 | Panel, whisee. rear, out. | 8.85 | 11 | 204591 | Deck lid | 37.80 |
| 5 | 204330 | Facing, rear door lock pillar | | 12 | 205137 | Pan, rear floor | 22.50 |
| 6 | 206162 | Pillar, center hinge | | 13 | 204324 | Panel, low. deck | 2.25 |
| 7 | 204882 | Front door | 60.00 | 14 | 204172 | Body shell, w/drs. & dk. | |
| | | | | 14 | 204183 | Body shell, w/o drs. & dk. | |



REAR WINDOW, 4 DOOR CONVERTIBLES

| Item | Part No. | Description | Price |
|------|----------|-----------------------|-------|
| 1 | 206125 | Frame, out. | |
| 2 | 206124 | Frame, in. | |
| 2 | 206399 | Glass, clear plastic. | A.R. |



REAR WINDOW, 4 DOOR SEDANS

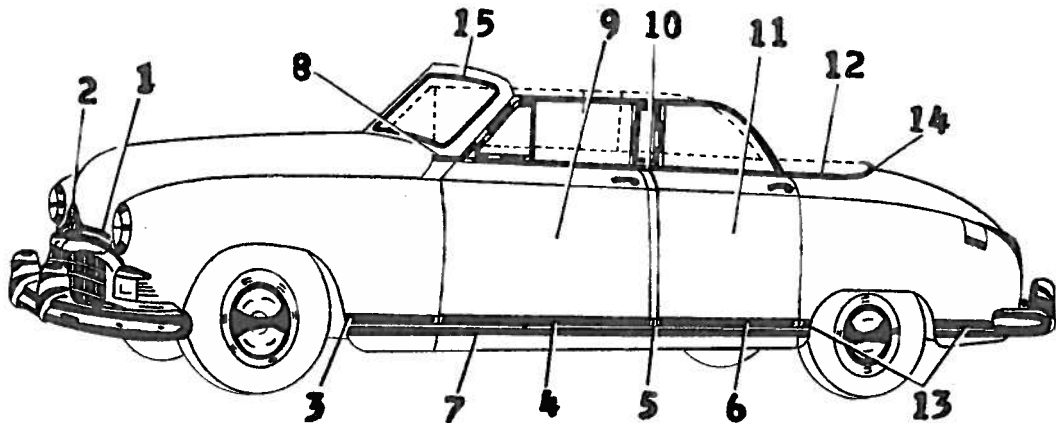
| Item | Part No. | Description | Price |
|------|----------|---------------------|-------|
| 1 | 202025 | Mold., finish | 3.40 |
| 2 | 205569 | Weatherstrip | 2.65 |
| 3 | 204227 | Clip, mold. joint | .10 |
| 2 | 200651 | Weatherstrip, glass | 3.60 |
| 4 | 200650 | Glass | 14.50 |

FRAZER 1949 BODY PARTS

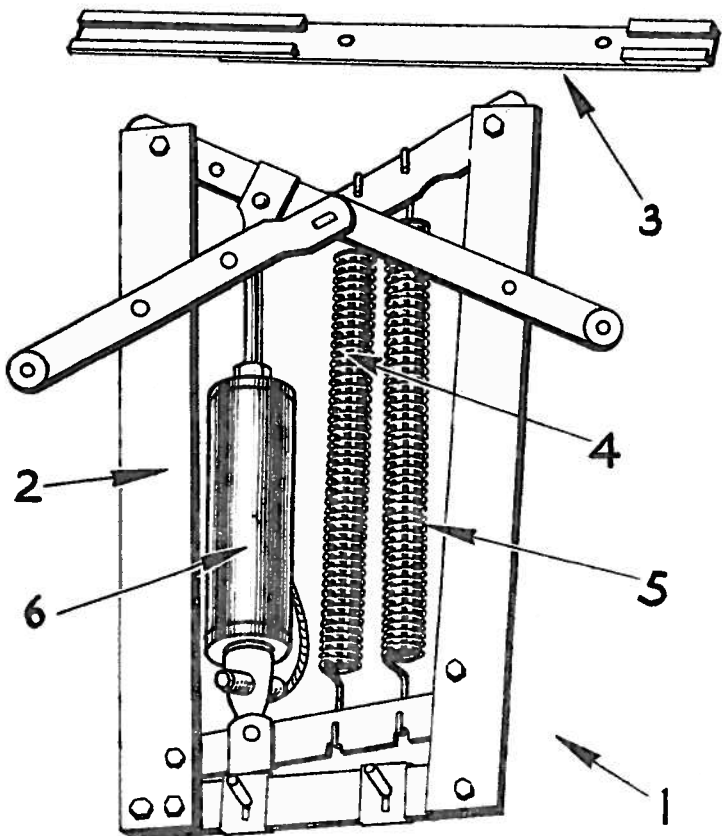
Models F495, F496. ALL BODY STYLES

CAR BODY CHROME & TRIM MOLDINGS, LEFT SIDE 4 DOOR CONVERTIBLES

| Item | Part No. | Description | Price |
|------|----------|-------------------------------------|-------|
| 1 | 204689 | Mold., hood | 4.35 |
| 2 | 200632 | Medallion, hood | 3.85 |
| 3 | 205105 | Mold., frt. fdr. | 1.60 |
| 4 | 205099 | Mold., frt. dr., low. | 2.95 |
| 5 | 205108 | Mold., ctr. pillar | .65 |
| 6 | 205100 | Mold., rear dr., low. | 2.50 |
| 7 | 204812 | Mold., rock. panel, 13 1/4" | 3.90 |
| 7 | 204814 | Mold., rock. panel, 3 15/16" | 11.50 |
| 8 | 204831 | Mold., cowl crease | .60 |
| 9 | 204827 | Mold., frt. dr. up. crease | 1.80 |
| 10 | 204833 | Mold., ctr. pillar, up. crease | .60 |
| 11 | 204829 | Mold., rear dr. up. crease | 1.65 |
| 12 | 204836 | Mold., rear quar panel, up. crease | 2.25 |
| 13 | 205110 | Mold., rear quar. panel, low. Front | .75 |
| | 205182 | Rear up. | 1.80 |
| | 205183 | Rear low. | 1.00 |
| 14 | 205092 | Mold., rear belt, out. | 3.25 |
| 14 | 202598 | Mold., rear belt, ctr. | .25 |
| 15 | 202028 | W/S mold., out. | 2.85 |
| 15 | 205563 | W/S div. bar | 1.00 |
| 15 | 204824 | Mold., frt. dr. belt. | .60 |
| 16 | 204824 | Mold., rear dr. belt | 4.00 |
| 17 | 205116 | Mold., ctr. pillar belt | .50 |
| 18 | 202028 | W/S mold., out. | 2.85 |
| 18 | 205563 | W/S div. bar | 1.00 |

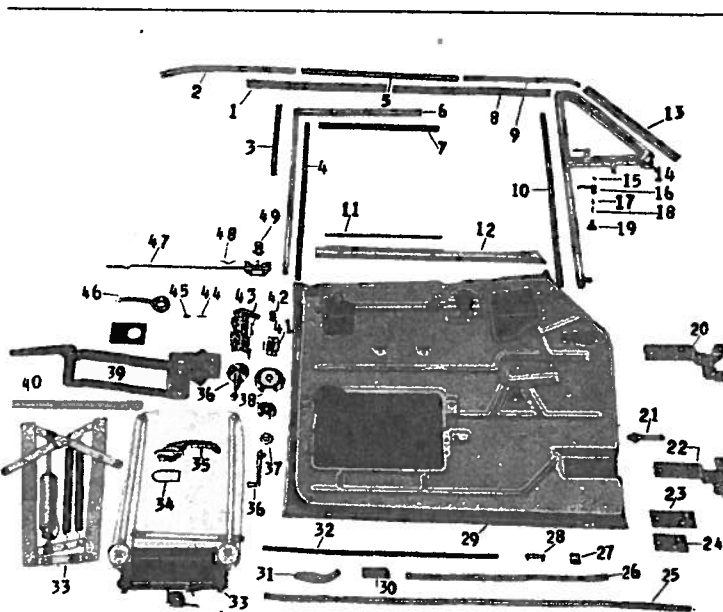


| Item | Part No. | Description | Price |
|------|----------|--------------------------|-------|
| 19 | 204882 | Front door | 60.00 |
| 20 | 204922 | Rear door | 60.00 |
| 21 | 206507 | Div. bar, frt. dr. vent. | 2.25 |
| 22 | 204697 | Glass, front door | |
| 23 | | Glass, front door vent. | |
| 24 | 204698 | Glass, rear door | |
| 25 | 204196 | Handle, frt. door | 3.00 |
| 26 | 204196 | Handle, rear door | 3.00 |



HYDRAULIC WINDOW LIFT, LEFT FRONT & REAR DOORS
4 DOOR CONVERTIBLE

| Item | Part No. | Description | Price | Item | Part No. | Description | Price |
|------|----------|----------------------|-------|------|----------|-----------------------|-------|
| 1 | 204068 | Lift assembly | 18.00 | 3 | 204073 | Spring, outer (green) | .85 |
| 2 | 204070 | Frame, lift | 6.00 | | 205890 | Switch, single | 1.75 |
| 3 | 204077 | Retainer, lift | 1.00 | | 205888 | Switch, double | 3.50 |
| 4 | 204072 | Spring, in. (yellow) | .85 | 6 | 204071 | Cylinder, hydraulic | 8.00 |



FRONT DOOR HARDWARE,
LEFT SIDE

4 DOOR CONVERTIBLES

| Item | Part No. | Description | Price | Item | Part No. | Description | Price |
|------|----------|-----------------------------|-------|------|----------|------------------------------|-------|
| 1 | 205982 | W/S, rear, roof side rail | 2.00 | 25 | 205448 | W/S, hinge pillar, low | .30 |
| 2 | 205962 | Ret., roof W/S | 1.80 | 26 | 203972 | W/S, doorr, low. | .60 |
| 3 | 204701 | W/S, ctr. pillar glass | 1.45 | 27 | 205759 | Wedge, bumper, complete | 1.00 |
| 4 | 205531 | Channel, rear win. run | .50 | 28 | 202403 | W/S, low. hinge filer | .15 |
| 5 | 205966 | Ret., roof W/S, F. complete | 1.35 | 29 | 204882 | Door | 60.00 |
| 6 | 205529 | Frame, dr. window, complete | 9.00 | 30 | 205522 | W/S, lock facing, up. corner | .50 |
| 7 | 205530 | Channel, top window run | .40 | 31 | 205087 | W/S, hinge pillar, up. | .30 |
| 8 | 205981 | W/S, ctr., roof side rail | 2.25 | 32 | 205089 | W/S, lock pillar | .30 |
| 9 | 205968 | Ret., W/S, cowl up. pillar | 1.25 | 33 | 204068 | Lift, hyd., window | 16.00 |
| 10 | 206156 | Channel, front window run | .55 | 34 | 204910 | Gasket, dr. handle. | .02 |
| 11 | 204712 | W/S, dr. glass | .50 | 35 | 204196 | Handle, door | 3.00 |
| 12 | 204871 | Mold., dr. garnish, chrome | 5.00 | 36 | 204729 | Handle, regitr. | 1.50 |
| 13 | 205973 | W/S, cowl, up. pillar | .55 | 37 | 200658 | Spring, rgitr. handle | .65 |
| 14 | 205545 | Vent., complete | 41.50 | 38 | 204732 | Escutcheon, handle | .65 |
| 15 | 205497 | Button, vent. handle | .15 | 39 | 204725 | Regitr., glass | 3.25 |
| 16 | 205485 | Handle, vent. | .35 | 40 | 204077 | Retainer, lift | 1.00 |
| 17 | 200762 | Key, vent. handle | .15 | 41 | 200579 | Plate, lock striker | 1.00 |
| 18 | 200764 | Spring, vent. handle | .80 | 42 | 205760 | Rod, lock | .15 |
| 19 | 204723 | Shaft, vent. handle | .40 | 43 | 204190 | Bumper, door | 3.50 |
| 20 | 204905 | Hinge, dr., up. | 2.25 | 44 | 204888 | Lock, door | .02 |
| 21 | 204908 | Arm, door | .45 | 45 | 204889 | Rod, lock locking | .02 |
| 22 | 204907 | Hinge, door, lower | 1.65 | 46 | 204901 | Button, locking rod assist. | 1.50 |
| 23 | 202903 | Anti-squeak, hinge, up. arm | .02 | 47 | 204860 | Rod, remote control | 1.45 |
| 24 | 202904 | Anti-squeak, hinge to door | .02 | 48 | 204865 | Spring, push button, ctrl. | .04 |
| | | | | 49 | 204897 | Button, rem. ctrl. rod push | .50 |

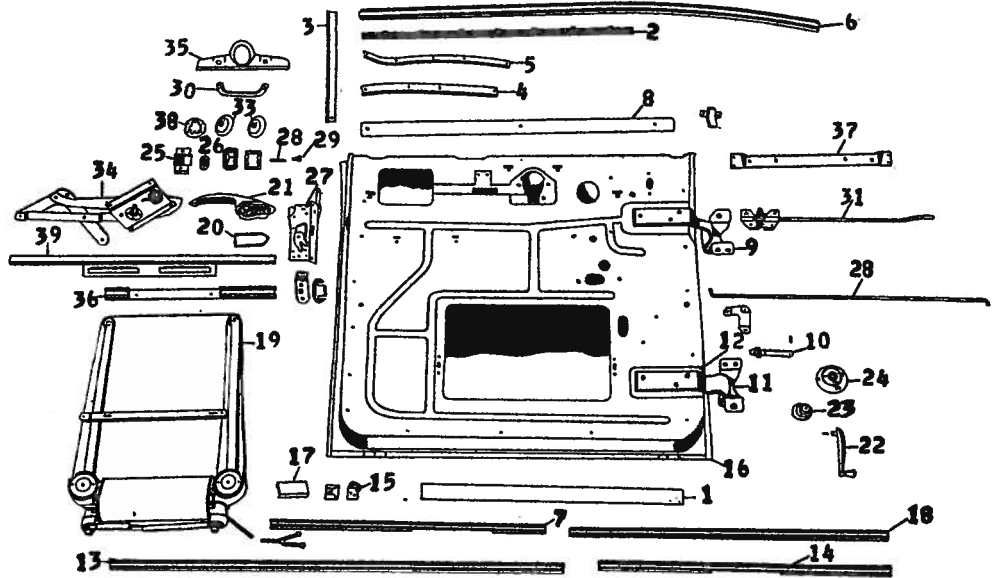
BODY PARTS 1949 FRAZER

Models F495, F496. ALL BODY STYLES

REAR DOOR HARDWARE, LEFT SIDE

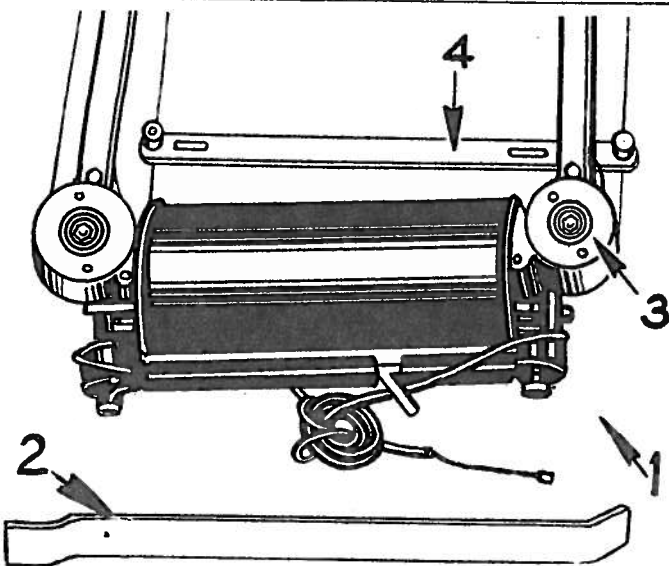
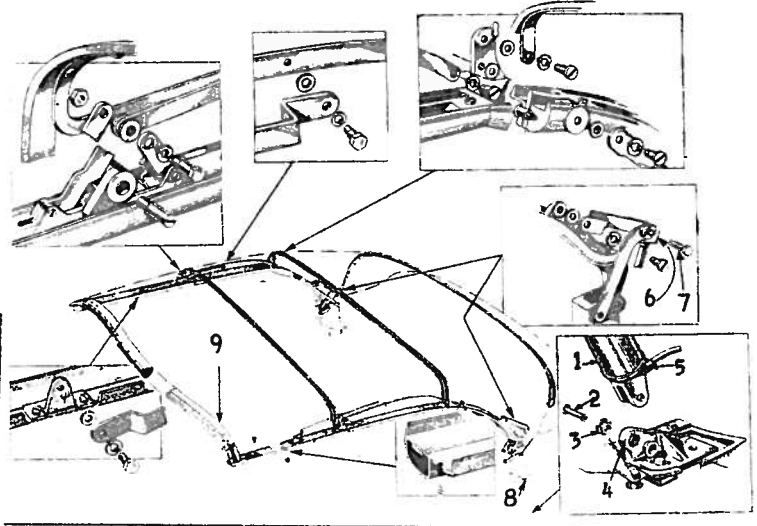
4 DOOR CONVERTIBLES

| Item | Part No. | Description | Price |
|------|----------|------------------------------------|-------|
| 1 | 205982 | W/S, rr., roof side rail | 2.00 |
| 2 | 205962 | Retainer, roof W/S, rr. | 1.80 |
| 3 | 204702 | W/Seal, ctr. pillar glass, rr. | 1.45 |
| 4 | 204736 | Channel, window run | .75 |
| 5 | 204740 | Frame, door glass | 8.90 |
| 6 | 206684 | Run, glass channel, long | 1.10 |
| 6 | 206140 | Run, glass channel, short | .55 |
| 7 | 204742 | W/S, door glass | .70 |
| 8 | 204916 | Molding, garnish | 5.00 |
| 9 | 204927 | Hinge, upper | 1.65 |
| 10 | 204908 | Arm, door check | .45 |
| 11 | 204929 | Hinge, lower | 1.65 |
| 12 | 202804 | Anti-squeak, hinge to door | .02 |
| 13 | 204923 | W/Strip, hinge pillar lower | .40 |
| 14 | 203978 | W/Strip, door, lower | .45 |
| 15 | 205759 | Wedge, door bumper | 1.00 |
| 16 | 204922 | Door | 60.00 |
| 17 | 205522 | W/Seal, frt. up. corner | .55 |
| 18 | 205089 | W/Strip, door lock pillar | .30 |
| 19 | 204069 | Lift, hydraulic, win. | 16.00 |
| 20 | 204910 | Gasket, door handle | .02 |
| 21 | 204196 | Handle, door | 3.00 |
| 22 | 204725 | Handle, regulator | 1.50 |
| 23 | 202658 | Spring, handle | .12 |
| 24 | 204732 | Escutcheon, handle | .65 |
| 25 | 200579 | Plate, striker | 1.00 |
| 26 | 205760 | Bumper, door | .15 |
| 27 | 204202 | Lock, door | 3.00 |
| 28 | 204204 | Rod, crank to locking rod | .02 |
| 28 | 204888 | Rod, lock locking | .20 |
| 29 | 204889 | Button, locking rod | .20 |
| 30 | 204901 | Handle, dr. lock rem. ctrl. assist | 1.50 |
| 31 | 204862 | Rod, remote control | 1.45 |
| 32 | 204865 | Spring, push button, ctrl. | .04 |
| 33 | 204863 | Button, Rem. ctrl. rod push | .35 |
| 34 | 204748 | Regulator, complete | 3.25 |
| 36 | 204077 | Ret. window lift | 1.00 |
| 39 | 204063 | Channel, glass, lower, conv. | 1.00 |



HYDRAULIC OPERATING UNIT FOLDING TOP, LEFT SIDE 4 DOOR CONVERTIBLE

| Item | Part No. | Description | Price |
|------|----------|---------------------------|-------|
| 1 | 204065 | Cylinder, hydraulic | 9.50 |
| 2 | 205945 | Pin, clevis | .05 |
| 3 | 205946 | Bushing, cyl. mount | .04 |
| 4 | 205947 | Support, cylinder | 1.00 |
| 5 | 202880 | Connector, tube | .10 |
| 6 | 204066 | Yoke, cylinder top | .65 |
| 7 | 206059 | Boit, frame to power link | .35 |
| 8 | 205591 | Hinge, female, rear | .01 |
| 9 | 205990 | Frame, complete top | |

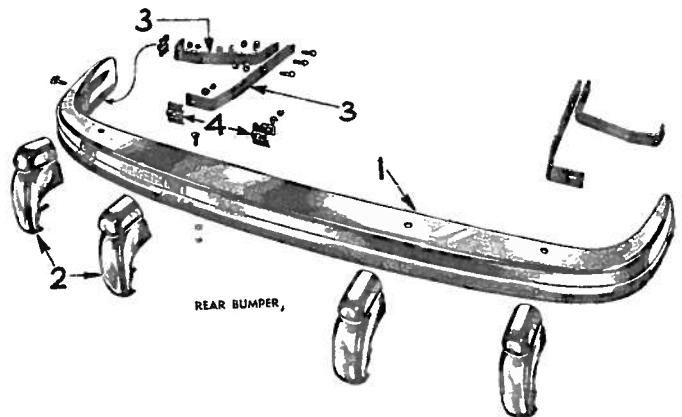


VACUUM WINDOW LIFT, LEFT FRONT DOOR OPTIONAL, on 4 DOOR MANHATTAN

| Item | Part No. | Description | Price |
|------|----------|-----------------------|-------|
| 1 | 206008 | Lift assembly | 19.00 |
| 2 | 206009 | Support, assembly | .30 |
| 3 | 206010 | Control, single | 2.25 |
| 4 | 206011 | Control, double | 3.50 |
| 4 | 205891 | Ret., control, single | .35 |
| 4 | 205889 | Ret., control, double | .35 |

VACUUM WINDOW LIFT, LEFT REAR DOOR OPTIONAL, on 4 DOOR MANHATTAN

| Item | Part No. | Description | Price |
|------|----------|-----------------------|-------|
| 1 | 206015 | Lift assembly | 19.00 |
| 2 | 208017 | Support, assembly | .30 |
| 3 | 206010 | Control, single | 2.25 |
| 3 | 206011 | Control, double | 3.50 |
| 4 | 205891 | Ret., control, single | .35 |
| 4 | 205889 | Ret., control, double | .35 |

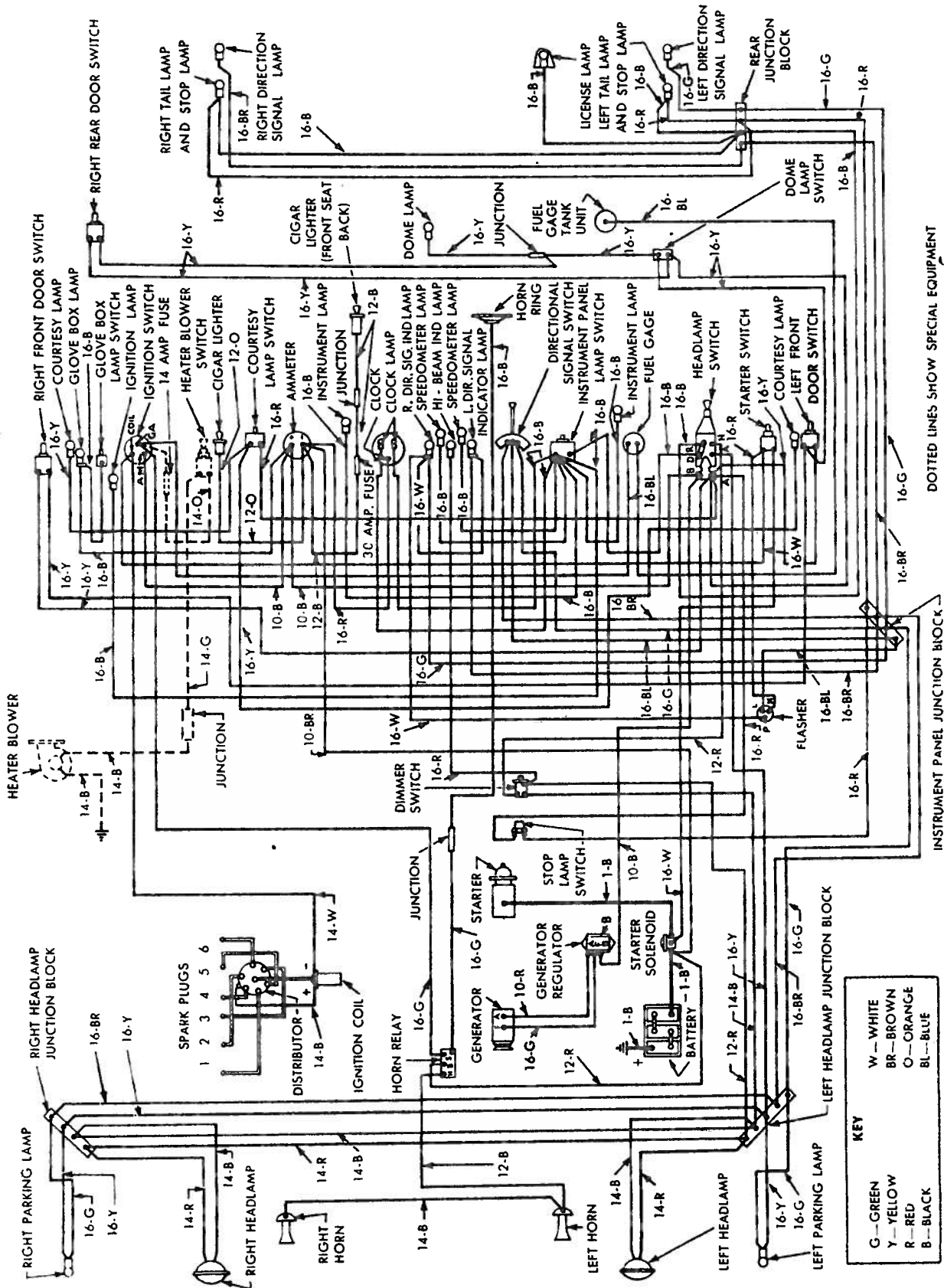


REAR BUMPER, LEFT SIDE

| Item | Part No. | Description | Price |
|------|----------|---------------|-------|
| 1 | 204134 | Bar | 26.50 |
| 2 | 204150 | Guard, out. | 7.25 |
| 2 | 204145 | Guard, in. | 7.25 |
| 3 | 204140 | Sup., in. | 7.25 |
| 3 | 204142 | Sup., out. | 1.85 |
| 4 | 204127 | Plate, spacer | .25 |

FRAZER 1949 WIRING

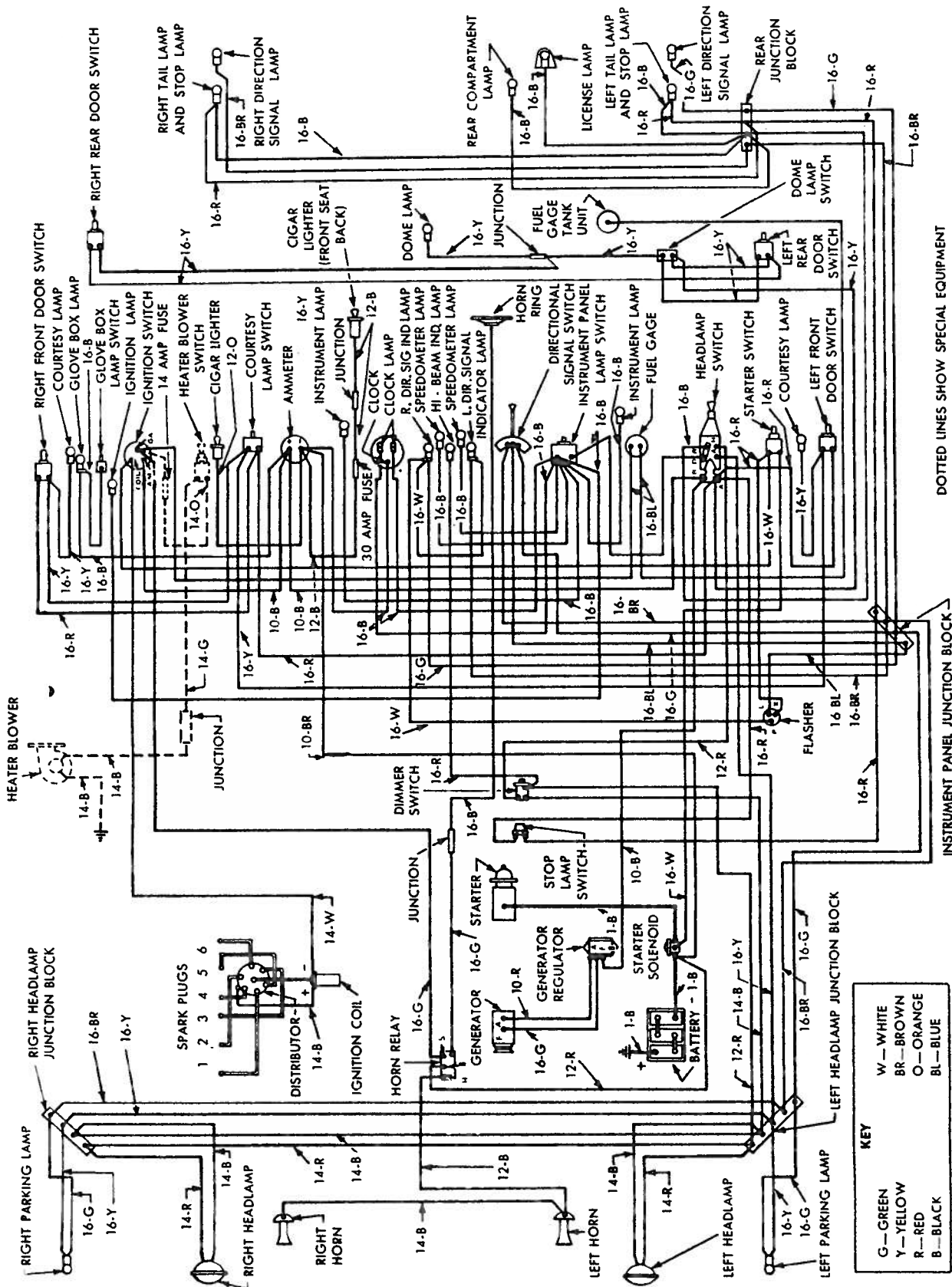
Models F495, F496. ALL BODY STYLES



Wiring diagram Frazer 1949

WIRING 1949 FRAZER

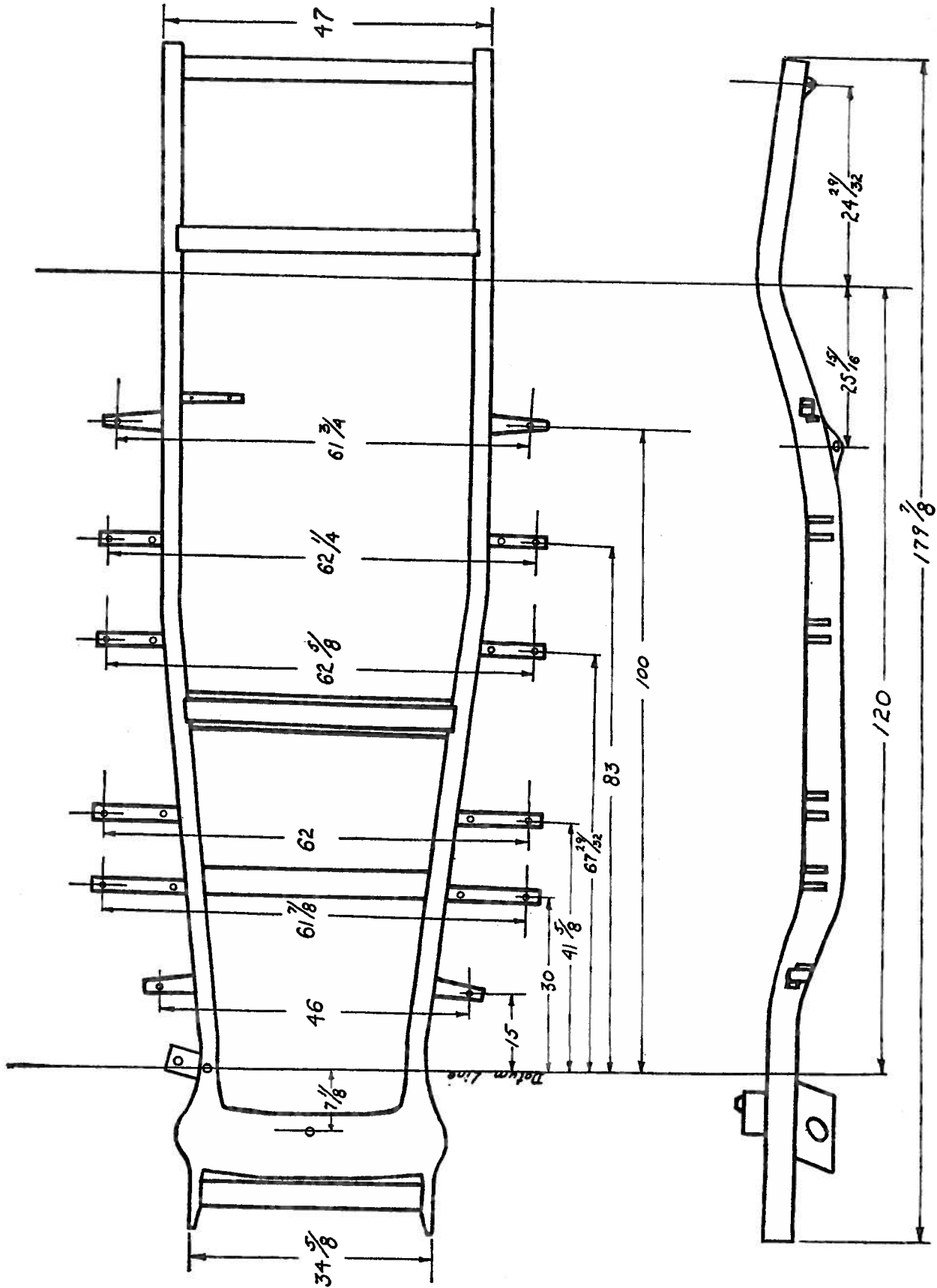
Models F495, F496. ALL BODY STYLES



Wiring diagram Frazer Manhattan 1949

FRAZER 1949 FRAME

Models F495, F496. ALL BODY STYLES



1949 Frazer Frame

FLAT RATE 1949 FRASER

Models F495, F496. ALL BODY STYLES

| Chilton Job No. | Chilton Labor Price | Chilton Job No. | Chilton Labor Price | Chilton Job No. | Chilton Labor Price | Chilton Job No. | Chilton Labor Price | Chilton Job No. | Chilton Labor Price | Chilton Job No. | Chilton Labor Price | Chilton Job No. | Chilton Labor Price | Chilton Job No. | Chilton Labor Price | Chilton Job No. | Chilton Labor Price | | |
|-----------------|---------------------|--------------------|---------------------|--------------------|---------------------|--------------------|---------------------|--------------------|---------------------|-----------------|---------------------|--------------------|---------------------|--------------------|---------------------|--------------------|---------------------|----------|-------|
| A | | A—continued | | A—continued | | B—continued | | C—continued | | D | | E—continued | | E—continued | | F—continued | | G | |
| 1..... | 2.00 | 7..... | 2.00 | 20x..... | 10.00 | 9..... | 20.00 | 3..... | 20.00 | 1..... | 3.00 | 2..... | 28.00 | 12..... | 28.00 | 2..... | 28.00 | 1..... | 65.00 |
| 2..... | 1.75 | 8..... | 1.25 | | | 10..... | 1.75 | 4..... | 1.75 | 1a..... | 2.50 | 3..... | 22.00 | 13..... | 20.00 | 3..... | 20.00 | 2..... | 28.00 |
| 3..... | | 9..... | 3.50 | | | 11..... | 3.25 | 8..... | 4.00 | 2..... | 1.75 | 4..... | 20.00 | 14..... | 128.00 | 4..... | 1.75 | 3..... | 23.00 |
| 4..... | 18.50 | 10..... | | | | 12..... | 3.75 | 6..... | 2.00 | 3..... | | 6..... | | 15..... | 115.00 | 5..... | 4.50 | 6..... | |
| 4a..... | | 11..... | 3.00 | | | 13..... | | 7..... | | 4..... | 10.00 | 7..... | | 16..... | | 8..... | 2.00 | 7..... | |
| 4b..... | 2.00 | 12..... | 4.50 | B | | 14..... | 3.25 | 8..... | 4.00 | 7..... | | 8..... | | 17..... | | 9..... | 2.00 | 8..... | |
| 4c..... | 8.00 | 13..... | 1.50 | 1..... | 8.50 | 15..... | 1.25 | 9..... | | 7x..... | 45.00 | 9..... | | 18..... | 12.00 | 10..... | | 9..... | 80.00 |
| 5..... | 10.00 | 14..... | | 1a..... | 5.00 | | | 10..... | | 19..... | 7.00 | 10..... | | 19..... | 12.00 | 11..... | | 10..... | 62.00 |
| 5a..... | 3.00 | 15..... | .75 | 2..... | 30.00 | C | | 11..... | 3.25 | 20..... | 3.00 | 11..... | 80.00 | | | 12..... | | 11..... | 62.00 |
| 5b..... | 4.00 | 16..... | | 3..... | 22.00 | 1..... | 7.50 | 12..... | 3.75 | | | 12..... | 82.00 | F | | 13..... | | 12..... | |
| 5c..... | 3.00 | 17..... | 1.50 | 4..... | 1.75 | 1a..... | 6.50 | 13..... | | | | 13..... | 82.00 | 1..... | 7.50 | 14..... | | 13..... | |
| 5d..... | 6.00 | 18..... | 12.00 | 5..... | 4.00 | 2..... | 28.00 | 14..... | 3.25 | | | 14..... | | 1a..... | 4.50 | 15..... | | 14..... | 12.00 |
| 6..... | 16.00 | 19..... | | 6..... | 2.00 | | | 15..... | 1.25 | E | | 15..... | 65.00 | | | | | 15..... | |
| | | 20..... | 7.50 | 7..... | 2.00 | | | | | 1..... | 60.00 | | | | | | | | |
| | | | | 8..... | 4.00 | | | | | | | | | | | | | | |

STEERING GEOMETRY

- | | | |
|--|---|---|
| <ul style="list-style-type: none"> 1. Pivot (Lower Arm) 2. Seal 3. Lubrication Fitting 4. Bushing Assy. (Lower Arm) 5. Reinforcement 6. Lower Suspension Arm Assy. (R.H.) 7. Front Sway Bar Support 8. Bolt, Washer & Nut (Sway Bar Support) 9. Steering Knuckle Support (R.H.) 10. Bushing Assy. 11. (See View B) 11A. Shim 11B. Shim 11C. Plain Washer 11D. Lock Washer 11E. Screw (Hex Head) 12. Upper Suspension Arm (L.H. & R.H.) 13. Upper Pivot (Inner) 14. Seal | <ul style="list-style-type: none"> 15. Cushion 16. Retainer 17. Retainer 18. Cushion 19. Retainer 20. Nut 21. Expansion Plug 22. King Pin 23. Steering Knuckle Support (R.H.) 24. Needle Bearing (King Pin) 25. Sway Eliminator Bar Link Nut (Upper) 26. Steering Knuckle Assy. (L.H.) 27. Thrust Bearing 28. Shims (Thrust Bearing) 29. Lubrication Fitting 30. Lower Suspension Arm Assy. (L.H.) 31. Lock Pin 32. Sway Eliminator Bar Link Nut (Lower) 33. Front Coil Spring | <ul style="list-style-type: none"> 34. Front Sway Bar Assy. 35. Upper Pivot (Outer) 36. Seal (Upper Pivot, Outer) 37. Seal (Lower Pivot, Outer) 38. Nut (Lower Pivot, Outer) 39. Cotter Pin 40. Lower Pivot (Outer) 41. Bushing (Lower Pivot, Outer) 42. Insulator (Upper) 43. Upper Seat 44. Retainer 45. Cushion 46. Lower Support 47. Insulator (Lower) 48. Spring Seat 49. Shack Seat (Lower) 50. Cushion 51. Retainer 52. Nut (Lower) |
|--|---|---|

CASTER: Limits—1 degree negative to 1 degree positive. Zero degree preferred.

CAMBER: Limits—Zero to 3/4 degree. 1/4 degree preferred.

TOE-IN: Zero to 1/16 inches. Zero preferred.

KING PIN INCLINATION: 4 3/4 to 5 3/4 degree. 5 1/2 degree preferred.

ALL MODELS
CASTER and CAMBER adjusted by upper eccentric pin.

