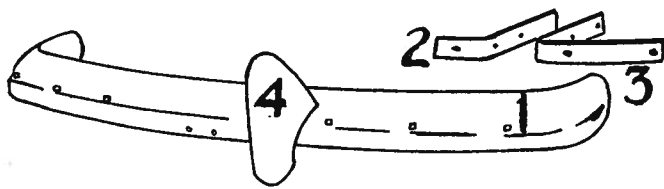


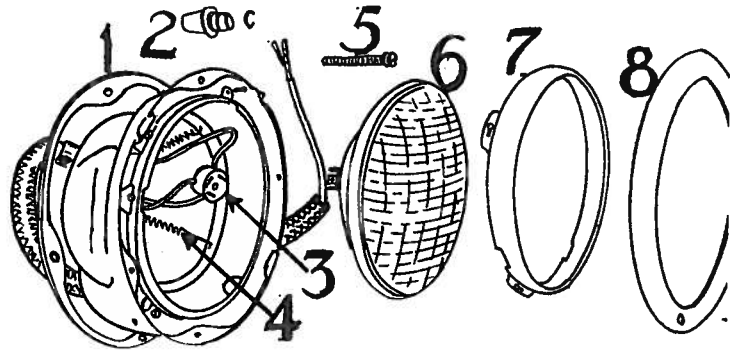
FORD 1946 to 1948 BODY PARTS

Models 69A, 6GA, 79A, 7GA, 7HA, 89A, 8HA. ALL BODY STYLES



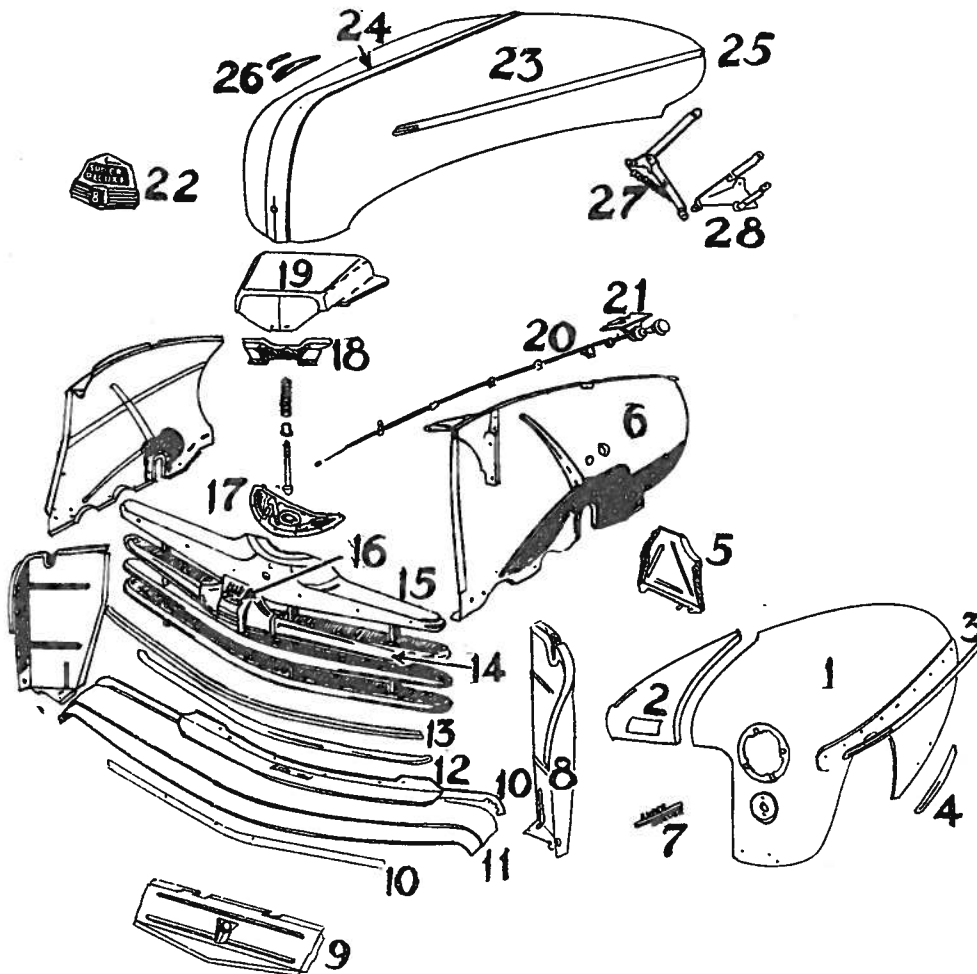
FRONT BUMPER ALL MODELS

Item Part No.	Description	Price	Item Part No.	Description	Price
1 6A-17757	—Bar	14.50	4 6A-17984-A	—Guard (L.H.) 1947-8	3.50
2 21A-17767-B	—Arm (in. L.H.)	1.60	4 21A-17997	—Guard (L.H.) 1948-7	3.50
3 21A-17765-B	—Arm (out. L.H.)	1.75			



HEAD LAMP ALL MODELS

Item Part No.	Description	Price
19A-13002-A	—Hdlamp assy.	5.50
51A-13002-A	—Hdlamp assy.	5.50
51A-13002-B	—Hdlamp assy.	5.50
1 11A-13044-A	—Gasket	.30
2 51A-13091-A	—Grommet	.05
2 51A-13091-B	—Grommet (w/6 notches)	.05
3 51A-13076-A	—Wiring assy. (5 leads)	1.05
3 51A-13076-B	—Wiring assy. (6 leads)	1.15
4 11A-13031	—Spring	.05
5 11A-13032	—Adj. screw	.05
6 09A-13007	—Bulb	1.30
7 11A-13018-A	—Ring	.55
8 21T-13045	—Door, 1946-7	1.25
8 6A-13045	—Door, 1947-8	1.25



FRONT FENDER ALL MODELS

Item Part No.	Description	Price	Item Part No.	Description	Price
1 51A-16010	—Fender 1946-7	25.00	2 6A-16013	—Extension 1947-8, prime	2.35
1 6A-16010	—Fender 1947-8	25.00	3 21A-16004-A	—Midg. (beaded) 1946-7	1.40
1 6AS-16010-A	—Fender (7.00x16 tire)	36.00	3 6A-16004	—Midg. (plain) 1947-8	1.25
1 6AS-16010-B	—Fender (9.00x13 tire)	36.00	4 11A-16169	—Midg. (beaded) 1946-7	.55
2 21A-16013	—Extension 1946-7, prime	3.45			

GRILLE ALL MODELS

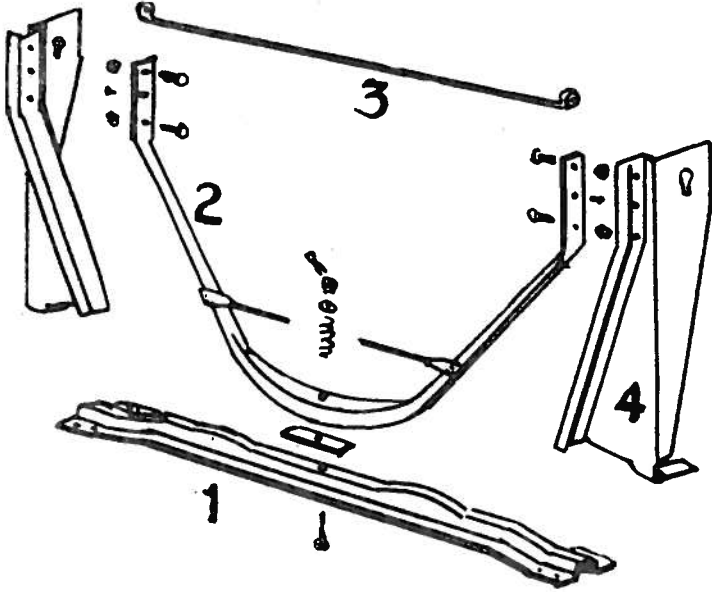
Item Part No.	Description	Price
10 48-16070S	—Antsqk, 25 yds...	5.80
11 51A-17744-B	—Deflector (stone), prime	6.05
12 51A-8196-A	—Midg.	2.50
13 6A-8332	—Midg. L.H. 1946-7	1.65
14 51A-8171	—Midg. L.H. 1946-7	1.65
14 6A-8171	—Midg. L.H. 1947-8	2.15
15 51A-8427-B	—Grille, prime..	12.65
16 51A-8259	—Ornament 1946-7	3.75
16 6A-8259	—Ornament 1947-8..	3.60

HOOD ALL MODELS

Item Part No.	Description	Price
17 51A-8162-B	—Panel	2.75
18 51A-16848	—Strainer	.95
19 51A-8327-A	—Panel (8 cyl)	1.15
19 5GA-8327	—Panel (6 cyl)	.80
20 6A-16916	—Cable assy.	1.00
21 51A-16930-A	—Brkt (tan) 1946-7	.50
22 51A-16607	—Emblem "8" 1946-7	.70
22 5GA-16607	—Emblem "6" 1946-7	.75
22 6HA-16606-A	—Emblem "DeLuxe 6" 1947-8	1.15
22 6HA-16606-B	—Emblem "Sup. DeL. 6" 1947-8	1.35
22 6RA-16606-A	—Emblem "DeL. 8" 1947-8	1.15
22 6RA-16606-B	—Emblem "Sup. DeL. 8" 1947-8	1.25
23 6A-16612	—Hood assy.	25.00
24 51A-16766-B	—Midg. (top center)	2.50
25 51A-16723	—Midg. (side) 1946-7	1.95
25 6A-16723-B	—Midg. (side) 1947-8	1.35
26 51A-16850	—Ornament 1946-7	2.00
26 6A-16850	—Ornament 1947-8	4.90
27 51A-16783	—Support	1.40
28 11A-16797-B	—Hinge assy.	1.40

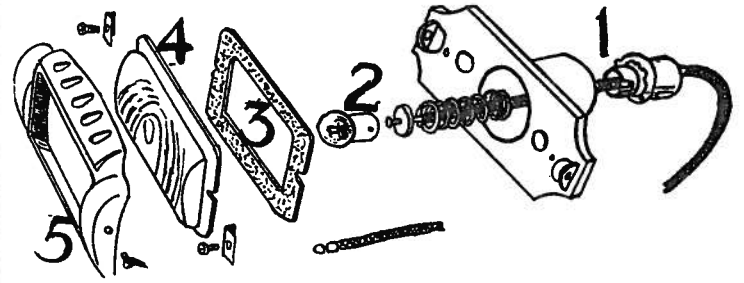
BODY PARTS 1946 to 1948 FORD

Models 69A, 6GA, 79A, 7GA, 7HA, 89A, 8HA. ALL BODY STYLES



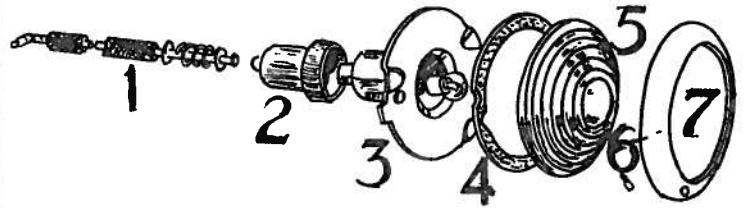
RADIATOR BRACES ALL MODELS

Item Part No.	Description	Price	Item Part No.	Description	Price
1	51A-5071—Bar	1.40	3	5GA-16156—Bar (6 cyl)	.40
2	51A-16138—Support (apron)	3.25	4	51A-16141-B—Panel (8 cyl)	3.00
3	21A-16156—Bar (8 cyl)	.50	4	5GA-16141—Panel (6 cyl)	1.65



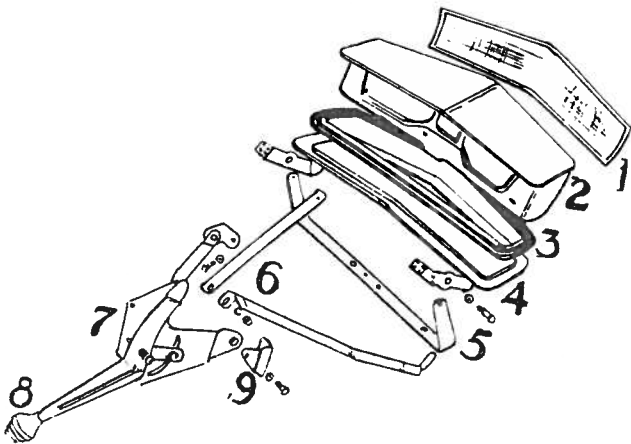
PARKING LAMP 1946-7

Item Part No.	Description	Price	Item Part No.	Description	Price
	51A-13200—Lamp assy.	3.00	3	21A-13211-A—Gasket	.05
1	21A-13234—Socket & wiring assy.	.55	4	21A-13208—Lens	.30
2	B-13466—Bulb	.10	5	51A-13210—Door	1.00



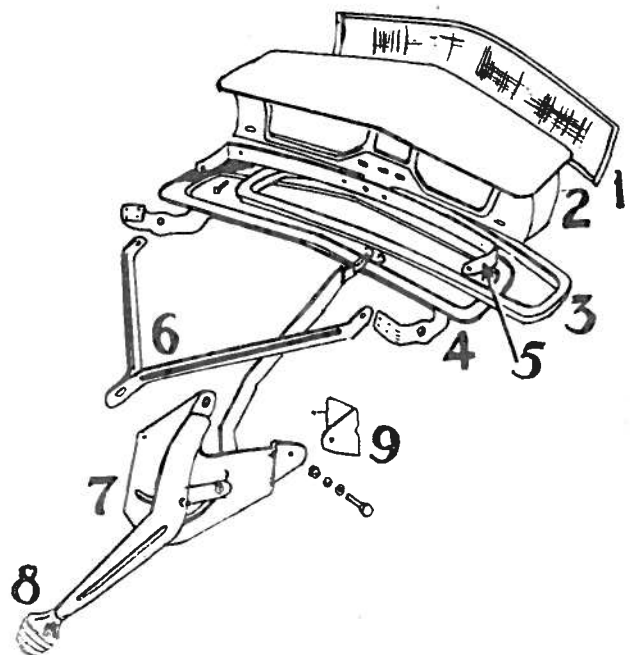
PARKING LAMP 1947-8

Item Part No.	Description	Price	Item Part No.	Description	Price
	6A-13200—Lamp assy.	2.00	4	21T-13211-A—Gasket	.06
1	6A-13234-B—Socket & wire assy.	.60	5	21T-13208—Lens	.30
2	6A-13225—Boot	.10	6	51T-13214—Clips	.01
3	B-13466—Bulb	.10	7	21T-13210-A—Door	.35



1946 Type COWL VENTILATOR ALL MODELS

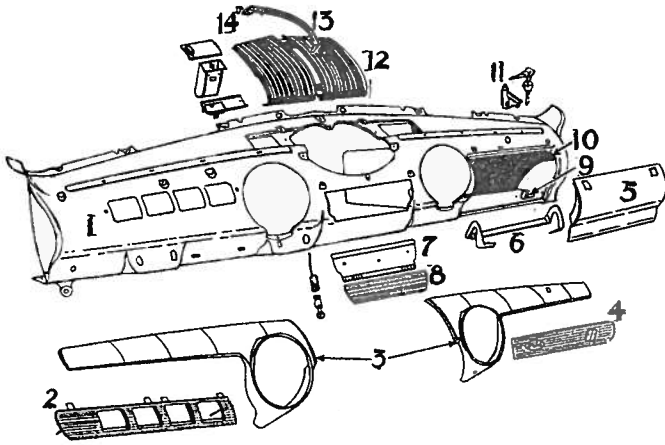
Item Part No.	Description	Price	Item Part No.	Description	Price
1	21A-7002280—Screen	.50	6	51A-7002187—Brace L. H. 1946	.35
2	51A-7002108—Cover & deflect. (w/o screen) 1946...	..	6	21A-7002184—Brace 1947-48	.30
2	21A-7002108-B—Cover & deflect. (w/screen) 1946-48	1.85	7	51A-7002117-C—Plate & arm 1946	2.20
3	51A-7002330—Wthstp 1946-48	.45	7	51A-7002117-A—Plate & arm 1947-48	2.20
4	21A-7002128-A—Hinge & reinfmt. 1946-48	.60	8	51A-7213-A—Knob 1946-48	.50
5	21A-7002210—Hinge 1946-48	.35	9	51A-7002185—Brkt 1946	.11
			9	21A-7002185—Brkt 1947-48..	.11



1947-48 Type

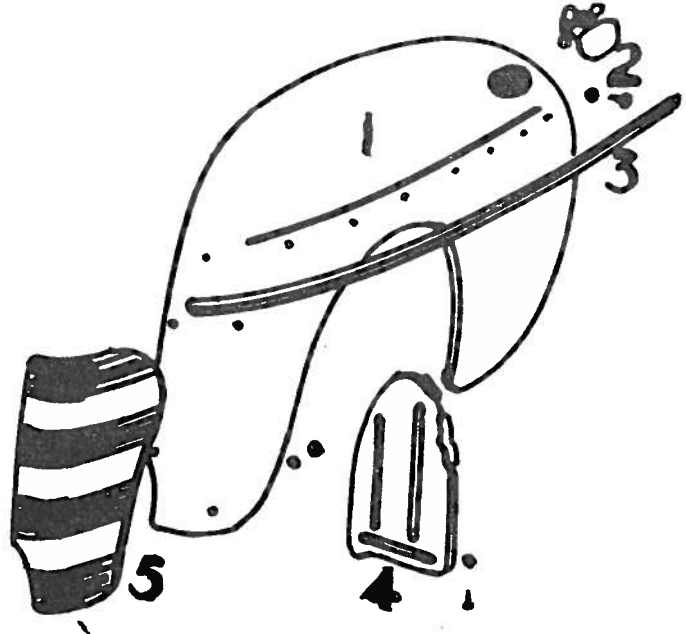
FORD 1946 to 1948 BODY PARTS

Models 69A, 6GA, 79A, 7GA, 7HA, 89A, 8HA. ALL BODY STYLES



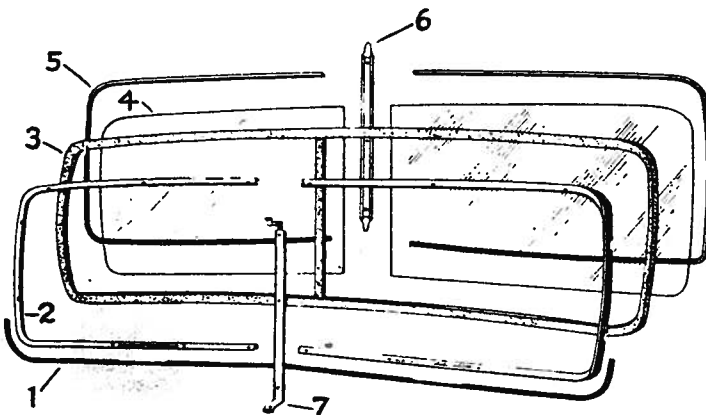
INSTRUMENT PANEL ALL MODELS

Item Part No.	Description	Price	Item Part No.	Description	Price
1 51A-7004320-A	Panel tan, 1946-7	11.00	5 51A-7006024-A	Door (tan) 1946-8	2.30
1 51A-7004320-B	Panel (G. met. blue) 1946-7	11.00	5 51A-7006024-B	Door (blue) 1946-7	2.30
1 51A-7104320	Panel (maple) 71, 76, 79B - 1946-48	..	5 51A-7106024	Door (maple) 1946-7	..
1 6A-7004320-A	Panel (brown) DeLuxe 1947-8	10.50	5 6A-7006024-A	Door (brown) 1947-8	2.80
1 6A-7004320-B	Panel (grey) 70B, 72B, 73B, 79B, 1947-8	10.50	5 6A-7006024-B	Door (grey) 1947-8	2.80
2 21A-7004300-A	Panel (trim) 70, 1, 2B, 3, 6, 7, 9B - 1946-7	2.00	6 01A-7006042-A	Hinge & sup	.80
2 21A-7004300-A	Panel (trim) Sup. DeL. 1947-8	2.00	7 29A-7004371-A	Radio dial plate	.70
2 6A-7004300	Panel (trim) DeL. 1947-8	1.20	8 51A-7004422-A	Ornament (brown) DeL.	.70
3 51A-7004401-A	Panel (trim) DeL. 1946-7	1.20	8 51A-7004422-B	Ornament (blue-grey)	.70
3 51A-7004401-B	Panel (trim-blue) 70B, 2B, 3B, 7B, 9B, 1946-7	1.20	8 51A-7104422	Ornament 71, 76	.30
3 51A-7004401-X	Panel (trim-brown) 70B, 2B, 3B, 7B, 9B, 1946-7	1.20	9 11A-7008068	Spring	.03
3 51A-7104401	Panel (maple) 71, 76, 1946-7	1.90	10 21A-7006010-A	Compartment - DeLuxe	.60
3 6A-7004401	Panel (trim) 70, 1, 2B, 3, 6, 7, 8, 9B, 1947-8	1.35	10 21A-7006010-B	Compartment - Super DeL.	1.00
4 51A-7006090-B	Door trim (8 cyl) 1946-7	1.25	11 21A-7006081-A	Lock assy.	1.60
4 5GA-7006090	Door trim (6 cyl) 1946-7	1.25	12 51A-7004414-A	Grille (DeLuxe), 1946-7	2.80
4 21A-7006090-A	Door trim (Sup. DeL.) 1947-8	1.25	12 51A-7004414-B	Grille, 70B, 2B, 3B, 6B, 7B, 9B-1946-7	2.80
4 6A-7006090	Door trim (DeL.) 1947-8	.60	12 51A-7004414-X	Grille, 72B, 3B, 7B-1946-7	2.80
			12 51A-7104414	Grille, 71, 6, 9B-1946-7	4.60
			12 6A-7004414	Grille, 70, 1, 2B, 3, 6, 7, 9B-1947-8	3.60
			13 21A-7004402-A	Ornament	1.00
			14 51A-7004395-A	Button	.11



REAR FENDER ALL MODELS

Item Part No.	Description	Price	Item Part No.	Description	Price
1 21A-16313-D	Fend. (pass.), 1946-7	13.50	3 21A-16197-B	Mldg. (sta. wag.), 1946-7	1.50
1 21A-16313-E	Fender (sta. wag.), 1946-7	15.00	3 51A-16197	Mldg. (sports), 1946-7	1.15
1 6A-16313-A	Fend. (pass.), 1947-8	13.50	3 6A-16197-A	Mldg. (pass.), 1947-8	1.25
1 6A-16313-B	Fender (sta. wag.), 1947-8	13.50	3 6A-16197-B	Mldg. (sta. wag.), 1947-8	1.65
1 6A-16313-D	Fend. (sports), 1947-8	13.50	3 6A-16197-D	Mldg. (sportsm.), 1947-8	1.10
2 11A-16370-C	Lid (ex. sta. wag.)	1.25	4 21A-16341-A	Brace	2.50
2 11A-16370-D	Lid (sta. wag. & Sportsm.)	1.45	4 21A-16341-B	Brace (sta. wag.)	.30
3 21A-16197-A	Mldg. (pass.), 1946-7	1.30	5 51A-16350-A	Boot	1.55
			5 51A-16350-B	Boot (sta. wag.)	2.00

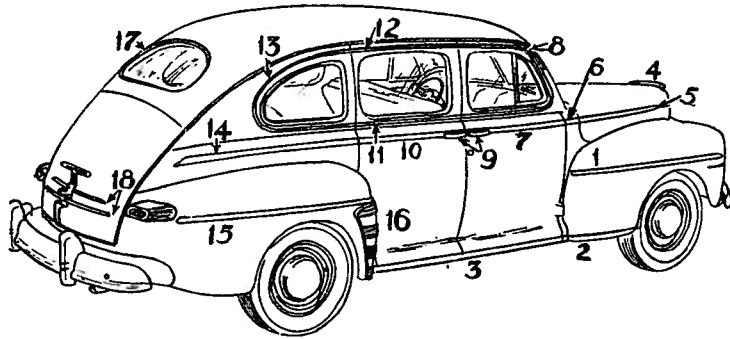


WINDSHIELD ALL MODELS

Item Part No.	Description	Price	Item Part No.	Description	Price
1 51A-7003126-A	Welt (brown) 70, 2B, 3, 7	.20	3 21A-7003110-B	Wthstp	5.25
1 51A-7003126-B	Welt (blue grey) 70B, 2B, 3B, 7B	.20	3 21A-7603110-A	Wthstp 71, 76	5.00
1 51A-7603127	Welt 71, 76	1.35	4 11A-7003100	Glass	9.90
2 51A-7003591-A	Fin. strip (tan) 70, 2B, 3, 7 - 1946-7	..	5 11A-7603089	Mldg. (outside)	1.55
2 51A-7003591-B	Fin. strip (blue grey) 70B, 2B, 3B, 7B - 1946-7	..	6 11A-7603078-B	Retainer (outer)	1.50
2 51A-7003591-C	Fin. strip (maple) 79B - 1946-8	2.20	7 51A-7003074-A	Retainer (inner) 70, 2B, 3, 7 - 1946-7	.85
2 51A-7103591	Fin. strip (maple) 71, 76 - 1946-8	3.40	7 51A-7003074-B	Retainer (inner) DeLuxe 1947-8	.50
2 51A-7603591	Fin. strip (blue grey) 76 - 1946-8	..	7 6A-7003074-A	Retainer (inner) DeLuxe 1947-8	.50
2 6A-7003591	Fin. strip (beige) DeLuxe 1947-8	2.70	7 6A-7003074-B	Retainer (inner) 70B, 2B, 3B, 7B - 1947-8	.50
2 6A-7003591	Fin. strip (grey) sup. DeL. 1947-8	2.70			

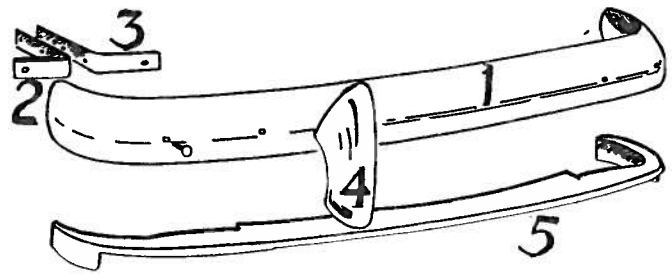
BODY PARTS 1946 to 1948 FORD

Models 69A, 6GA, 79A, 7GA, 7HA, 89A, 8HA. ALL BODY STYLES



OUTSIDE Moulding TRIM ALL BODY STYLES

Item Part No.	Description	Price	Item Part No.	Description	Price
1	21A-16004-A—Beaded, 1946-7	1.40	13	11A-7029045-70	2.10
1	6A-16004-Plain, 1947-8	1.25	13	11A-7229045-72B	1.55
2	11A-16169-Beaded, 1946-7	.55	13	11A-7329045-73	1.60
2	6A-16169-Plain, 1947-8	1.10	13	11A-7729045-77	1.60
3	21A-16467-A—Beaded, 1946-7	4.00	14	21A-7029035-A—Beaded 70,	
3	6A-16467-Plain, 1947-8	2.25		1946-7	1.70
4	51A-16850-Ornamt., 1946-7	2.00	14	6A-7029035-B—Plain 70,	
4	6A-16850-Ornament, 1947-8	4.90		1947-8	1.60
5	51A-16723-W/grooves,		14	21A-7329035-A—Beaded 73,	
	1946-7	1.95		1946-7	1.75
5	6A-16723-B—Plain, 1947-8	1.35	14	6A-7329035-B—Plain 73,	
6	21A-7002329-A—Beaded,			1947-8	1.40
	1946-7	.70	14	21A-7629035-A—Beaded 72B,	
6	6A-7002329-B—Plain, 1947-8	.70		76, 1946-7	2.10
7	21A-7020935-A—Beaded, 70-		14	6A-7629035-B—Plain 72B,	
	72B, 76—1946-7	1.35		76, 1947-8	1.70
7	6A-7020935-Plain, 70, 72B,		14	21A-7729035-A—Beaded 77,	
	76—1947-8	1.15		1946-7	2.10
7	21A-7329035-A—Beaded, 73,		14	6A-7729035-B—Plain 77,	
	77, 78—1946-7	1.70		1947-8	1.80
7	6A-7329035-Plain, 73, 77, 78		15	21A-16197-A—Beaded 70, 72,	
	—1947-8	.95		73, 76, 77, 1946-7	1.30
8	11A-7020937-Reveal, 70, 72B	2.00	15	6A-16197-A—Plain 70, 72, 73,	
8	11A-7320937-Reveal, 73, 77,	1.55		76, 77, 1947-8	1.25
9	21A-7022400-A—70, 72B, 73,		15	21A-16197-B—Beaded 79,	
	77	1.40		1946-7	1.50
9	51A-7122400-A—71, 1946-7	1.30	15	6A-16197-B—Plain 79, 1947-8	1.55
9	51A-7122400-B—71, 1947-8	1.30	15	51A-16197—Beaded 71, 1946-7	1.15
9	21A-7822400-A—76, 1946-7	1.40	15	6A-16197-D—Plain 71, 1947-8	1.10
9	6A-7622400-A—76, 1947-8	1.30	16	11A-16350-A—Boot, 1946-48	1.55
9	21A-7922400-A—79B, 1946-7	1.40	17	51A-7042084-A—Rubber,	
9	29A-7922400-A—79B, 1947-8	1.10		1946-48	2.50
9	21A-7325555-A—73, 1946-7	.90	18	51A-7042511—Upper L.H.	
9	6A-7325555-B—73, 1947-8	.90		1946-48	.85
1	11A-7325586-73, 1946-8	.80	18	51A-7042513—Lower L.H.	
2	11A-7325584-73, 1946-8	.80		1946-48	.80



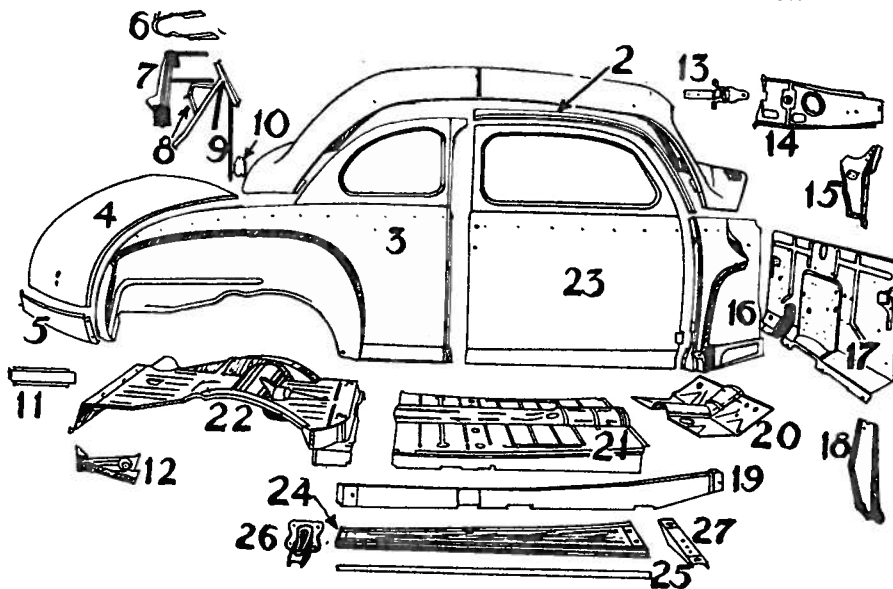
REAR BUMPER ALL MODELS

Item Part No.	Description	Price	Item Part No.	Description	Price
1	51A-17781—Bar (pass.),		3	11A-17788-B—A r m (L.H.	
	1946-7	14.50		in.) st. wag., 1946-8	1.30
1	6A-17781—Bar (pass.),		4	21A-17984—Guard (pass.),	
	1947-8	14.50		1946-7	3.50
1	11A-17781-C—Bar (st. wag.)		4	6A-17985-A—Guard (pass.),	
	out., pass., 1946-7	1.30		1947-8	3.50
2	21A-17796-A—A r m (L.H.		4	11A-17996-B—Guard (st.	
	out.), pass., 1946-7	1.30		wag., 1946-8	2.20
2	6A-17796-A—A r m (L.H.		5	6A-17808—Deflector (pass.)	
	out.), pass., 1947-8	1.30		1947-8	2.75
2	11A-17796-B—A r m (L.H.		5	51A-17801-A—Deflector	
	out.), st. wag., 1946-8	1.60		(sportsm)	8.80
3	21A-17788-A—A r m (L.H.		5	51A-17801-B—Deflector	
	in.), pass., 1946-7	1.60		(st. wag.)	8.25
3	6A-17788-A—A r m (L.H.				
	in.), pass., 1947-8	1.30			

CAR BODY

BODY TYPES:
 72B—SUPER DELUXE SEDAN COUPE
 77A—DELUXE COUPE, 5-WINDOW
 77B—SUPER DELUXE COUPE, 5-WINDOW

Item Part No.	Description	Price	Item Part No.	Description	Price
1	51A-7250200—Panel (roof) 72	67.50	5	51A-7040320—Panel (low.	
1	21A-7760200—Panel (roof) 77	69.00		bk. body), 1946-7	2.25
2	19A-7251143—Side rail,		5	6A-7040320—Panel (low. bk.	
	1946-7, 72			body), 1947-8	2.15
2	51A-7251143—Side rail,		6	21A-7241702—Rail (belt	
	1947-8, 72	3.10		trim)	2.80
2	11A-7751143—Side rail,		7	21A-7244808—Reinfmt. &	
	1946-7, 77	2.40		hinge sup., up.	2.90
2	51A-7751143—Side rail,		7	11A-7744808—Reinfmt. &	
	1947-8, 77	1.60		hinge sup., up.	3.20
3	51A-7227841—Panel (qt. &		8	19A-7247016-B—Strainer &	
	side) 72	60.00		mtg. brkt.	2.20
3	21A-7227701-A—Panel (qt.)		9	21A-7246590—Support assy.	1.80
	77	140.00	10	19A-7246609—Brkt.	.20
4	51A-7240110—Door (lug.)		11	11A-7044820—Strainer	
	w/lock, 1946-7			(center) 1946-7	.30
4	6A-7240112—Door (lug.)		12	51A-7044831—Gusset (side)	
	stripped, 1947-8	39.60		1946-7	.40
5	11A-7040320—Panel (low.		12	6A-7044831—Gusset (side)	
	bk. body), 1946-7	6.00		1947-8	.15
			13	11A-7022805-B—Hinge &	
				ret., upper	3.00
			14	11A-7002091—Hinge reinfmt.,	
				up.	1.10
			15	11A-7003587—Gusset	.50
			16	11A-7002055-B—Cowl side	
				panel	9.50
			17	11A-7001605-G—Dash panel	2.75
			18	11A-7001727—Brace (dash	
				pan. to fr.)	.50
			19	11A-7010111—Side member	
				(Fl.) (72)	9.00
			19	11A-7310111—Side member	
				(Fl.) (77)	9.00
			20	11A-7011115-C—Panel (Frt.	
				Fl. brd.) 1946-7	
			20	51A-7011115—Panel (Frt.	
				Fl. brd.) 1946-8	3.85
			21	21A-7011135—Pan (Frt. Fl.)	
			22	51A-7011216—Pan (R. Fl.)	
				1946-7	
			22	6A-7011216—Pan (R. Fl.)	
				1947-8	16.75
			23	11A-7020123-A—Door (w/o	
				paint, trim & reg.) (72)	50.40
			23	11A-7720123-A—Door (w/o	
				paint, trim & reg.) (77)	45.00
			24	21A-16451-A—Run. brd.	
				(steel)	5.00
			25	21A-16467-A—Midg.	
				(beaded) 1946-7	4.00
			25	6A-16467—Midg. (plain)	
				1947-8	2.25
			26	21A-16471—Brkt. (bck.)	1.85
			27	21A-16457-A—Brkt. (frt.)	.90



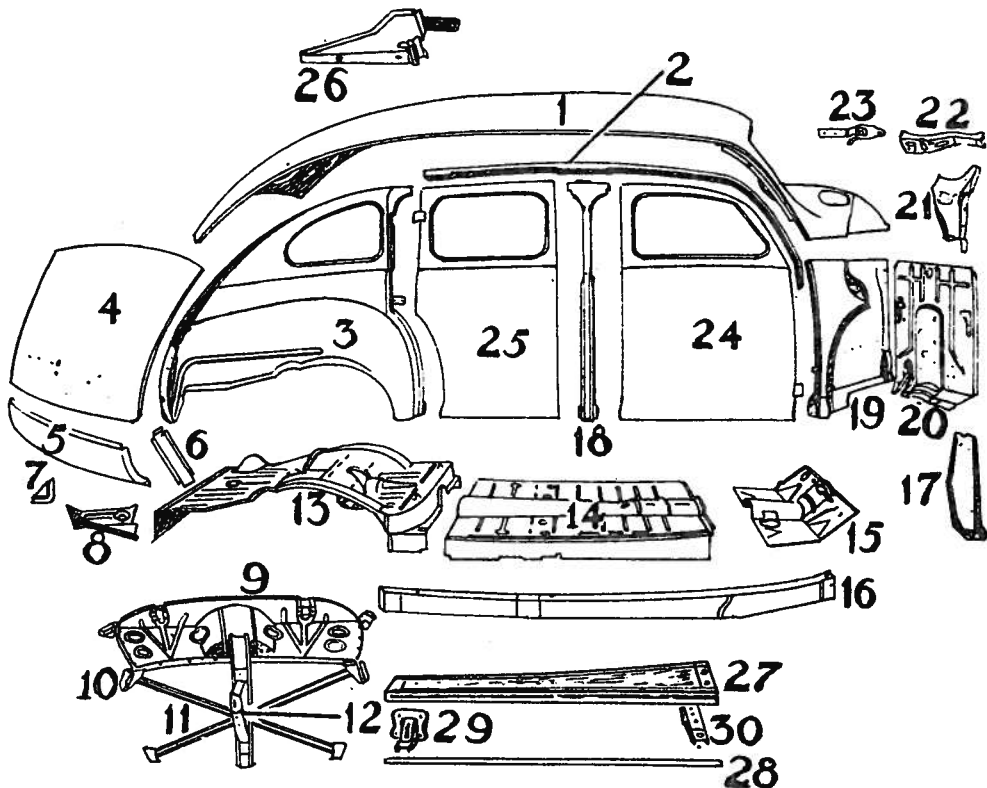
FORD 1946 to 1948 BODY PARTS

Models 69A, 6GA, 79A, 7GA, 7HA, 89A, 8HA. ALL BODY STYLES

CAR BODY

BODY TYPE—73 FORDOR SEDAN

Item Part No.	Description	Price
1	51A-7050200—Panel (roof) ..	58.80
2	11A-7351143—Rail assy. (side) 1946-7	
2	51A-7351143—Rail assy. (side) 1947-8	3.30
3	51A-7327841—Panel (qt. & side)	67.00
4	51A-7040110—Door assy. (luggage) w/lock, 1946-7	36.00
4	6A-7040112—Door assy. (luggage) w/o hinge & lock, 1947-8	36.00
5	11A-7040320—Panel assy. (use with tool comp.) 1946-7	6.00
5	51A-7040320—Panel assy. (w/o tool comp.) 1946-7	2.25
5	6A-7040320—Panel assy. (w/o tool comp.) 1947-8	2.15
6	11A-7044820—Strainer (ctr.)30
7	11A-7044815—Gusset (upper)15
8	51A-7044831—Gusset (side) 1946-740
8	6A-7044831—Gusset (side) 1947-815
9	11A-7046506—Panel (pkg. tray)	3.70
10	11A-7046577—Gusset (frt. corner)20
11	8A-7046611—Strainer50
12	11A-7047016—Strainer & mntg. brkt. (spare)	1.20
13	51A-7011216—Pan (R. Fl.) 1946-7	
13	6A-7011216—Pan (R. Fl.) 1947-8	16.75
14	21A-7011135—Pan (Frt. Fl.)	
15	11A-7011115-C—Panel Frt. Fl. brd., 1946-7	
15	51A-7011115—Panel Frt. Fl. brd., 1947-8	3.85
16	11A-7310111—Member (Fl. side)	9.00
17	11A-7001727—Brace (panel to fr.)50
18	11A-7324300-B—Pillar (center) 1946-7	
18	51A-7324300—Pillar (center) 1947-8	7.50

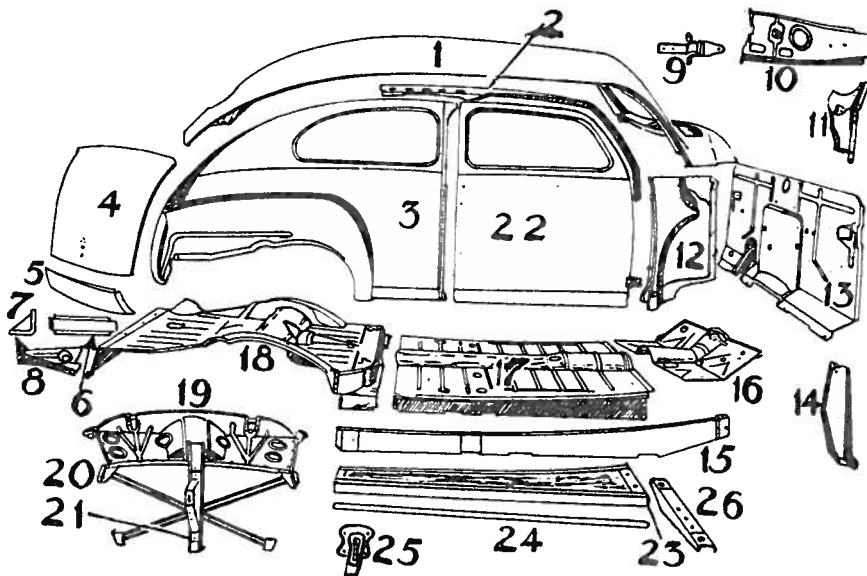


Item Part No.	Description	Price	Item Part No.	Description	Price	Item Part No.	Description	Price
19	11A-7002055-B—Panel & Fl. brd. riser (cowl side)	9.50	24	11A-7320123-A—Door assy. frt. (less paint, trim & reg.)	45.00	27	21A-16451-A—Run. brd. (steel)	5.00
20	11A-7001605-G—Dash panel	2.75	25	11A-7324823-A—Door assy. R. (less paint, trim & reg.)	45.00	28	21A-16467-A—Mldg. (beaded) 1946-7	4.00
21	11A-7003587—Gusset50	26	11A-7326853-B—Hinge & reinfmt. (lower)	6.00	28	6A-16467—Mldg. (plain) 1947-8	2.25
22	11A-7002091—Reinfmt. (up. hinge)	1.10				29	21A-16471—Brkt. (rear) ...	1.85
23	11A-7022805-B—Hinge & ret. assy. (up. dr.)	3.00				30	21A-16457-A—Brkt. (frt.) ..	.90

CAR BODY

BODY TYPE—70—TUDOR SEDAN

Item Part No.	Description	Price
1	51A-7050200—Panel (roof) ..	58.80
2	51A-7051143—Side rail, 1947-8	10.50
2	11A-7051185—Side rail, 1946-7	
3	51A-7027841—Panel (outside)	42.00
4	51A-7040110—Door assy. (luggage) w/lock, 1946-7	36.00
4	6A-7040112—Door assy. (luggage) w/o hinge & lock, 1947-8	36.00
5	11A-7040320—Panel assy. (body low. back) 1946-7	6.00
5	51A-7040320—Panel assy. (body low. back) 1946-7	2.25
5	6A-7040320—Panel assy. (body low. back) 1947-8	2.15
6	11A-7044820—Strainer (trunk fl.) center, 1946-730
7	11A-7044815—Gusset (upper)15
8	51A-7044831—Gusset (side) 1946-740
8	6A-7044831—Gusset (side) 1947-815
9	11A-7022805-B—Hinge & ret. assy. (upper)	3.00
10	11A-7002091—Reinfmt. (cowl side up. hinge)	1.10
11	11A-7003587—Gusset50
12	11A-7002055-B—Panel & fl. brd. riser (cowl side)	9.50
13	11A-7001605-G—Dash panel	2.75
14	11A-7001727—Brace (dash panel to fr.)50
15	11A-7010111—Member (fl. side)	
16	11A-7011115-C—Panel (fl. brd. frt.) 1946-47	
16	51A-7011115—Panel (fl. brd. frt.)	3.85
17	21A-7011135—Pan (frt. fl.) ..	



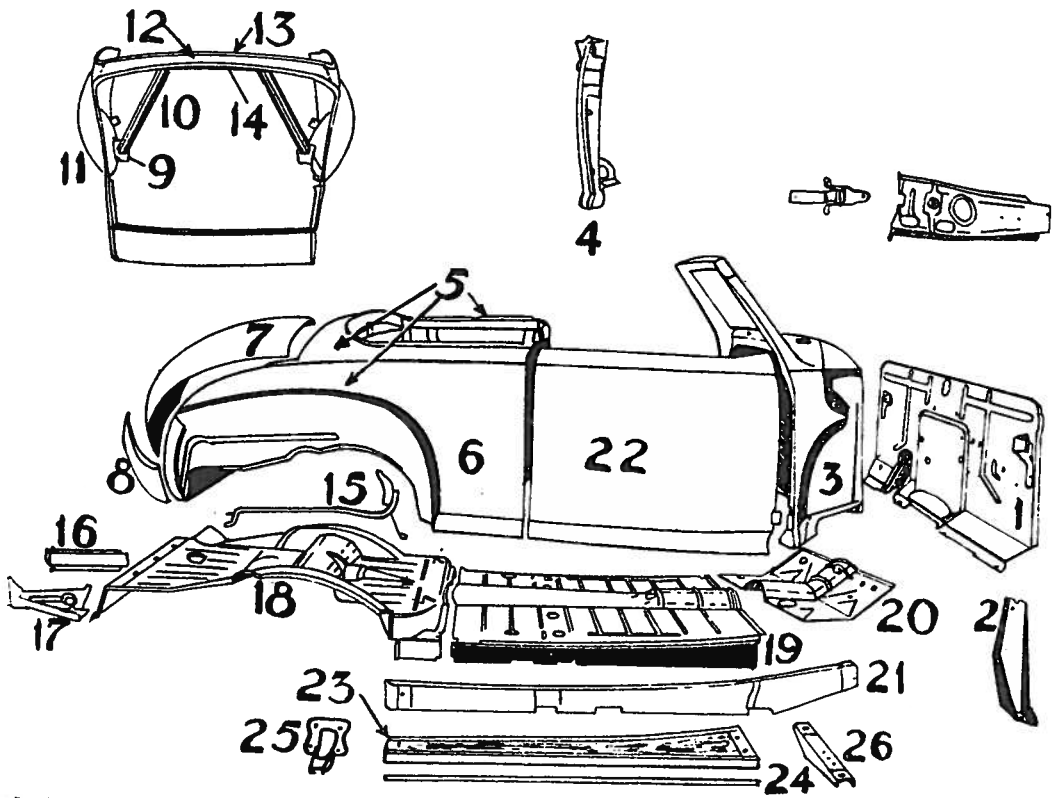
Item Part No.	Description	Price	Item Part No.	Description	Price	Item Part No.	Description	Price
18	51A-7011216—Pan (R. fl.) 1946-47		20	11A-7046577—Gusset (tray frt. corner)20	23	21A-16451-A—Run. brd. (steel)	5.00
18	6A-7011216—Pan (R. fl.) 1947-48	16.75	21	11A-7047016—Strainer & mntg. brkt. (spare whl.) ..	1.20	24	21A-16467-A—Mldg. (beaded) ..	4.00
19	11A-7046625—Brace (qt. panel to pkg. tray)15	22	11A-7020123-A—Door assy. (less paint, trim & reg.) ..	50.40	25	21A-16471—Brkt. (back) ...	1.85

BODY PARTS 1946 to 1948 FORD

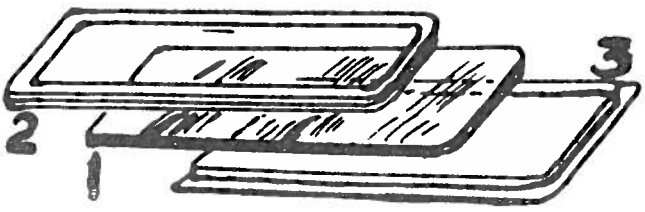
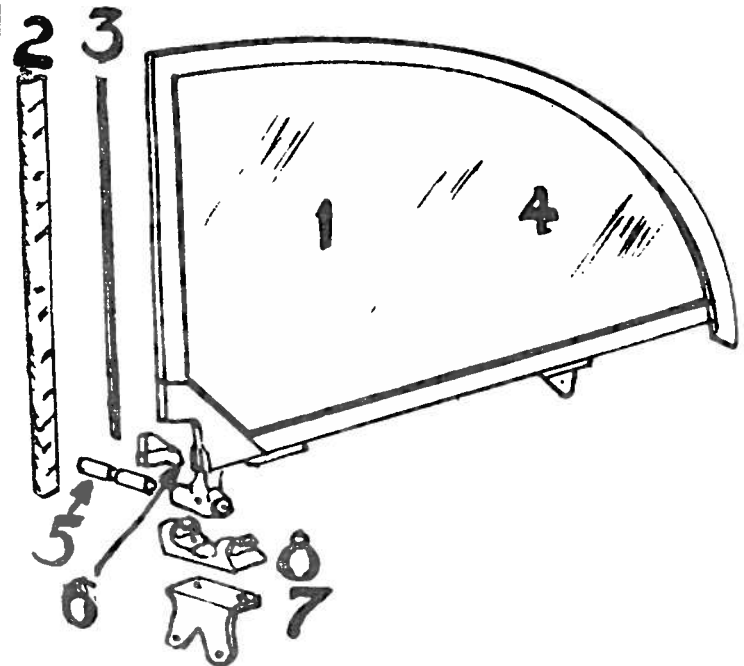
Models 69A, 6GA, 79A, 7GA, 7HA, 89A, 8HA. ALL BODY STYLES

CAR BODY BODY TYPES— 71, 76 CONVERTIBLES

Item Part No.	Description	Price
1	11A-7001605-G—Dash panel	2.75
2	11A-7601727-B—Brace (d. panel to fr.)	.60
3	51A-7600120-E—Front assy. 76	60.00
3	51A-7100120-D—Front assy. 71	250.00
4	51A-7628161—Pillar (r. qt. lock) 76	142.00
4	51A-7128161—Pillar (r. qt. lock) 71	27.50
5	51A-7627800-C—Panel & back assy. (qt.) 1946-7, 76	95.00
5	6A-7627800—Panel & back assy. (qt.) 1947-8, 76	415.00
6	21A-7627841-B—Panel (qt. & side) 76	149.00
6	51A-7127841-B—Panel (qt. & side) 71	247.50
7	51A-7240110—Door (lug. w/lock) 1946-7, 76
7	6A-7240112—Door (lug. w/o hinge & lock) 1947-8, 76	39.60
7	51A-7140110—Door (lug. w/lock) 71	120.00
8	51A-7040320—Panel (low. back) 1946-7, 76	2.25
8	6A-7040320—Panel (low. back) 1947-8, 76	2.15
8	6A-7140320-B—Panel (low. back) 71	10.00
9	21A-7641757—Brkt. L.H. 76	.10
9	51A-7141757—Brkt. L.H. 71	.50
10	21A-7644627—Brace L.H. 71-76	.35
11	21A-7627841-B—Panel (qt. & side) L.H., 76	149.00
11	51A-7127841-B—Panel (qt. & side) L.H., 71	247.50
12	21A-7641761—End stp. L.H. 71, 76	.85
13	21A-7641748—Center strp. 71, 76	.55
14	21A-7640314—Panel (up. back) 76	3.10
14	51A-7140314—Panel (up. back, wood) 71	24.00
15	21A-7647016—Mtg. brkt. (spare whl.) 71, 76	2.40
16	21A-7044821—Plate (lug. comp. to fl.) center, 71, 76	.10
17	51A-7044831—Gusset (side) L.H. 1946-7, 76	.40
17	6A-7044831—Gusset (side) L.H. 1947-8, 76	.15
18	51A-7611215—Pan (R. fl.) 1946-7, 76	18.30
18	6A-7611215—Pan (R. fl.) 1947-8, 76	32.25
18	51A-7111215-B—Pan (R. fl.) 71	18.30
19	21A-7611134—Pan (Frt. fl.) 71, 76	14.50



Item Part No.	Description	Price
20	11A-7011115-C—Panel (fl. brd.) 1946-7, 71, 76
20	51A-7011115—Panel (fl. brd.) 1947-8, 71, 76	3.85
21	21A-7610111—Side member, 76	5.20
21	51A-7110111—Side member, 71	3.45
22	11A-7620123—Door (less paint, trim & reg.) 76	54.00
22	51A-7120117-C—Door, 71	197.50
23	21A-16451-A—Run. brd. (steel)	5.00
24	21A-16467-A—Midg. (beaded) 1946-7	4.00
24	6A-16467—Midg. (plain) 1947-8	2.25
25	21A-16471—Brkt. (back)	1.85
26	21A-16457-A—Brkt. (Ft.)	.90



BACK WINDOW BODY STYLE—71, 76

Item Part No.	Description	Price
1	11A-7653200-A—Glass	3.00
2	11A-7653220—Frame (out. side)	3.75
3	11A-7653224—Frame (inside)	2.30

QUARTER WINDOW

BODY TYPE 71, 76 CONVERTIBLE

Item Part No.	Description	Price	Item Part No.	Description	Price
1	51A-7629701—Glass & Fe. assy., complete	33.60	4	21A-7629710-A—Glass	4.35
2	51A-7630107-A—Wthstp., frt. (corner)	.35	5	21A-7630566—Hinge pin	.14
3	21A-7629952-A—Retainer (wthstp.)	.70	6	21A-7629746-A—Wthstp. (corner)	.20
			7	21A-7629932-A—Brkt.	1.60
			8	21A-7629948-B—Hinge	3.00

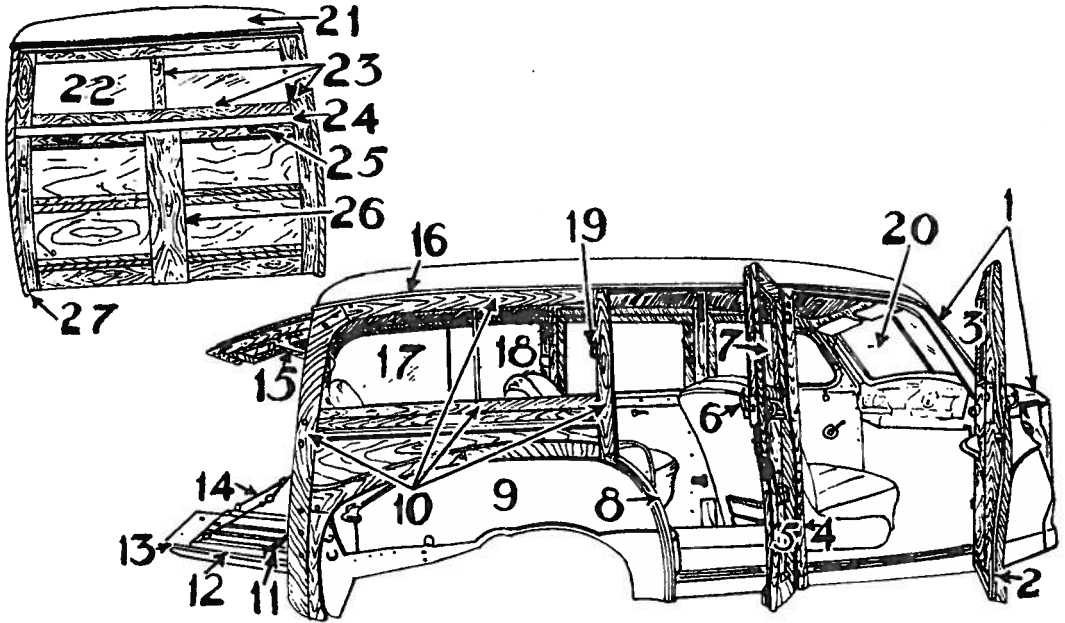
FORD 1946 to 1948 BODY PARTS

Models 69A, 6GA, 79A, 7GA, 7HA, 89A, 8HA. ALL BODY STYLES

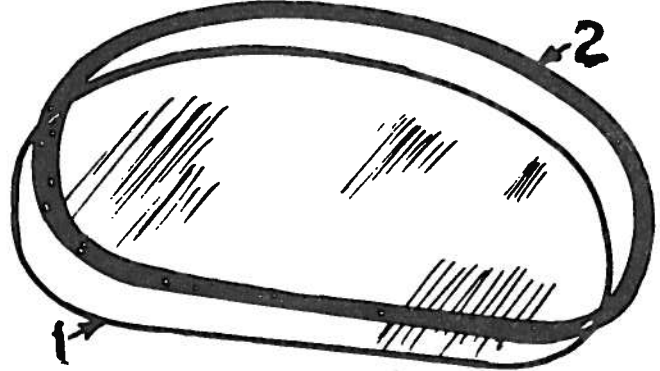
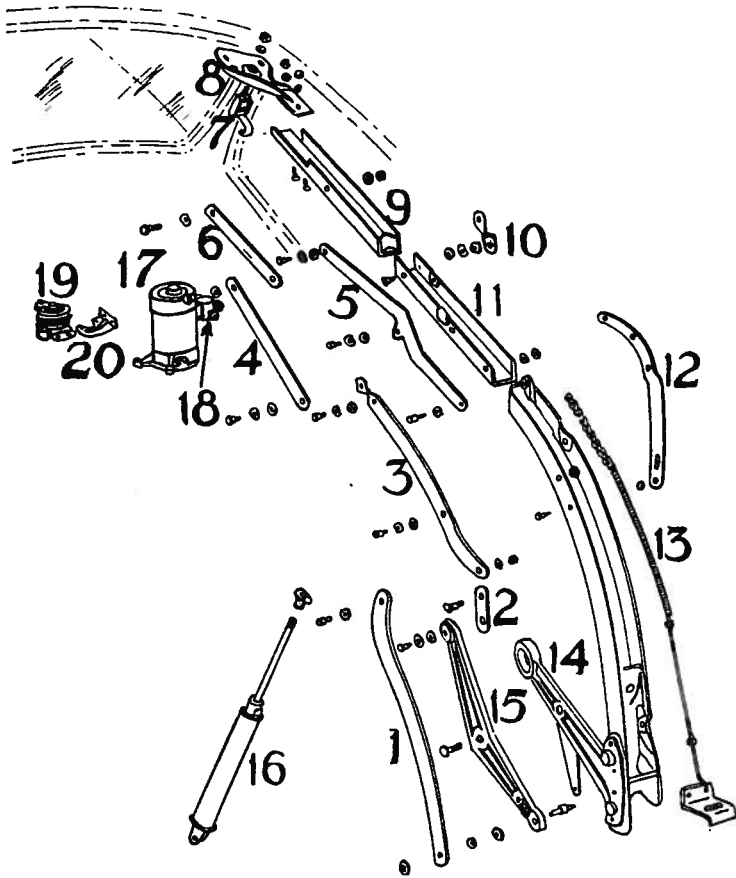
CAR BODY

STATION WAGON BODY TYPE—79

Item Part No.	Description	Price
1	21A-7900120-B—Front assy., 1946-7	277.00
1	51A-7900120-C—Front assy., 1947-8	277.00
2	51A-7920115-B—Door assy. (mah. panel)	131.00
3	11A-7921410—Glass	5.00
4	21A-7924305—Pillar (complete)	10.00
5	51A-7924601-B—Door assy. (complete)	88.00
6	51A-7023342-B—Handle (reg.)	.95
6	68-792401—Handle (rear, inside)	.70
7	21A-7925712—Glass	7.00
8	21A-7928191-B—Pillar (qt. lock, low)	13.10
9	21A-7927883—Panel (wh. house)	16.50
10	21A-7927701-C—Quarter panel (mahogany)	67.50
11	68-795720—Spring	.70
12	11A-7943726-A—Wthstp. (side)	.30
13	01A-7944409—Latch & strap assy.	1.85
14	01A-7944401-A—Support rod	1.25
15	7A-7942058—Arm	.75
16	11A-7951701—Drip mldg.	1.75
17	21A-7929712—Glass	6.65
18	01A-7929710—Glass	5.65
19	81A-793775-B—Handle & catch assy.	.75
20	11A-7003100—Windshield glass	9.90
21	M-2600-G—Roof (leather) .75 yd.	



Item Part No.	Description	Price	Item Part No.	Description	Price	Item Part No.	Description	Price
22	11A-7942006-A—Glass	6.75	24	11A-7942086-A—Wthstp. (bottom)	1.80	26	11A-7940202-E—Gate & hinge assy.	60.00
23	11A-7942000—Window assy. (complete)	45.50	25	11A-7943429—Handle	2.40	27	21A-7928101—Rear qt. pillar	9.70



BACK WINDOW BODY STYLES—70, 72, 73, 77

Item Part No.	Description	Price	Item Part No.	Description	Price
1	11A-7042016-A2—Glass	8.90	2	11A-7042084-A—Wthstp. (rubber)	2.50

CONVERTIBLE TOP PARTS BODY TYPE—71, 76

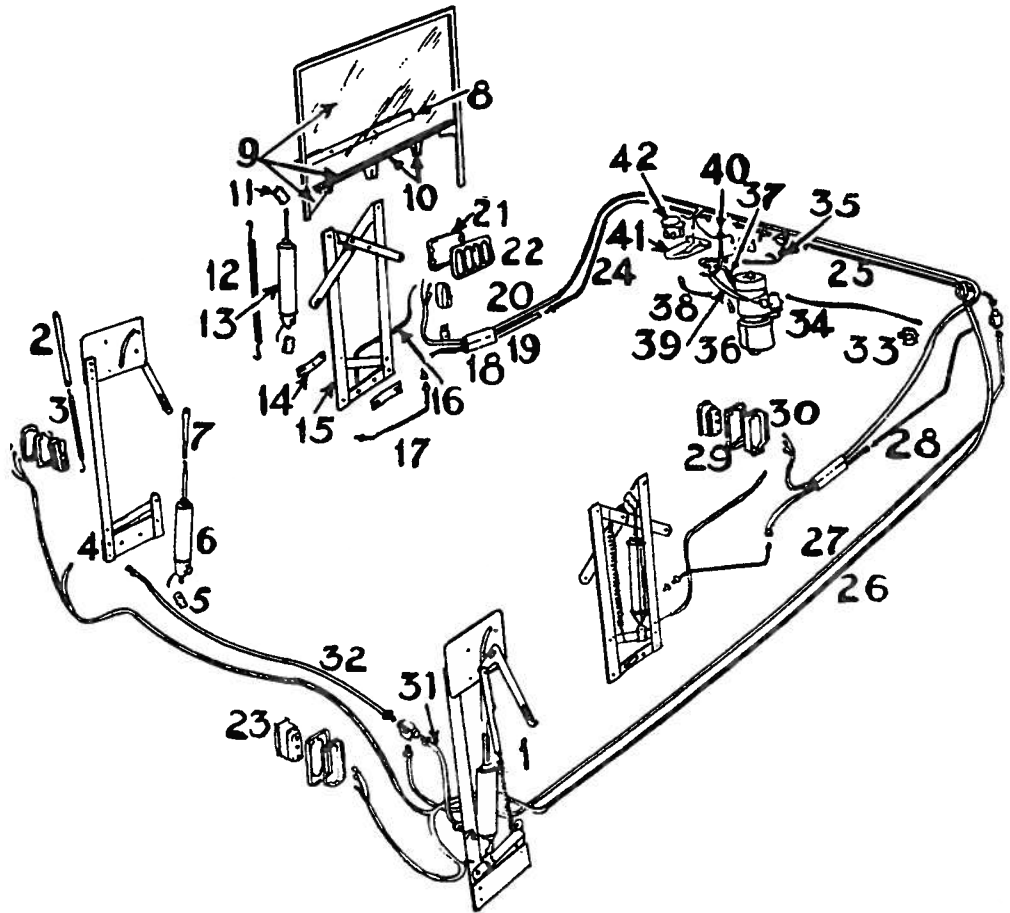
Item Part No.	Description	Price	Item Part No.	Description	Price
1	51A-7650313—Iron (top slat) No. 2	1.90	11	21A-7653137—Arm, center	10.50
2	21A-7650428—iron (top slat) No. 3	.65	12	21A-7650341—iron (bow slat) rear	1.00
3	51A-7650307—iron (top slat) No. 1	3.25	13	51A-7652721—Retainer assy.	.85
4	21A-7650308—Link (rear)	.70	14	51A-7653011-B—Arm, rear	18.75
5	21A-7650433—Link (center to rear)	2.80	15	51A-7650331—Slat, No. 3	7.00
6	21A-7650310—Link, front	.70	16	51A-7650601—Cyl. & yoke assy.	8.30
7	11A-7603520—Clamp	3.40	17	51A-7650736—Mtr. & pump assy.	28.20
8	11A-7603463—Brkt.	2.50	18	5EH-7353380—Solenoid	3.40
9	51A-7653007—Arm, front	6.75	19	5EH-7650738—Valve assy.	5.15
10	21A-7650440—Link	.90	20	51A-7650686—Brkt.	.20

BODY PARTS 1946 to 1948 FORD

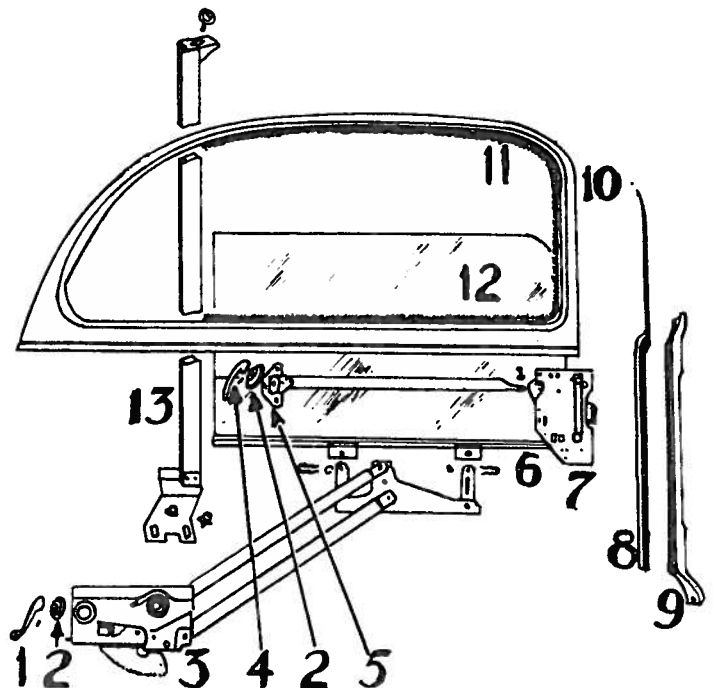
Models 69A, 6GA, 79A, 7GA, 7HA, 89A, 8HA. ALL BODY STYLES

DOOR AND QUARTER WINDOW HYDRAULIC LIFT BODY TYPE 71—SPORTSMAN

Item	Part No.	Description	Price
1	51A-7130307	—Reg. assy., L.H.	15.00
2	51A-7130348	—Link	.20
3	51A-7130318	—Spring	.10
4	51A-7130313	—Frame	7.60
5	51A-7123236	—Brkt.	.10
6	51A-7130340	—Cylinder assy.	.60
7	51A-7130350	—Connector	.50
8	51A-7123350	—Retainer glass	.50
9	51A-7122219	—Glass & frame assy.	22.50
10	51A-7121469	—Channel & brkt. assy.	1.35
11	51A-7123236	—Brkt.	.10
12	51A-7123318	—Spring	.10
13	51A-7123244	—Cylinder assy.	6.25
14	51A-7123257	—Spring	.10
15	51A-7123205	—Frame assy.	3.15
16	51A-14508	—Wire assy.	.35
17	51A-7124296	—Tube assy., door	.60
18	51A-7124258	—Conduit	.50
19	51A-7123592	—Hose assy.	1.60
20	51A-13708	—Wiring assy.	3.30
21	51A-7124235	—Anchor plate	.10
22	51A-7124232	—Escutcheon (4 openings)	.60
23	51A-7124206	—Switch assy.	1.25
24	51A-7123569-A	—Tube assy., L.H. 1946	.75
24	51A-7123569-B	—Tube assy., L.H. 1946-8	.80
25	51A-7123568-A	—Tube assy., R.H. 1946	.70
25	51A-7123568-B	—Tube assy., R.H. 1946-8	.80
26	51A-14339	—Wiring assy.	3.30
27	51A-7127074	—Tube assy. (on floor)	1.35
28	51A-7123580	—Tube assy. (to cowl)	.50
29	5EH-7324230	—Escutcheon (single)	.60
30	5EH-7324207	—Plate (single)	.45
31	51A-7127076	—Tube assy.	.45
32	51A-7127080	—Tube assy.	.85
33	21A-11450	—Starter switch	1.70
34	51A-14506	—Cable assy. 71, 76	.55
35	51A-7123577	—Tube assy., L.H.	.35
35	51A-7123576-B	—Tube assy., R.H.	.55
36	51A-7650736	—Motor & pump, complete, 71, 76	28.20
37	51A-7123592	—Hose assy.	1.60
38	51A-7650646-B	—Hose assy., 71, 76	2.00
39	51A-14332-B	—Wire assy., 71, 76	.50
40	51A-7123577	—Tube assy. (to motor)	.35
41	51A-7650686	—Brkt., 71, 76	.20
42	51A-7650738	—Valve, 71, 76	5.50



Item	Part No.	Description	Price
3	11A-7323201-A	—Regulator, 73, 77	3.60
4	11A-7022614	—Handle	1.00
5	11A-7021819	—Control & link, 70, 72B	1.10
5	11A-7321819	—Control & link, 73, 77	.65
6	51A-7021459-A	—Channel, 70, 72B	1.00
6	51A-7321459-A	—Channel, 73, 77	.60
7	11A-7021813	—Lock	2.75
8	11A-7021550	—Run (lock side)	.55
9	11A-7021573-A	—Retainer, 70, 72B	.65
9	11A-7321573-A	—Retainer, 73, 77	.30
10	51A-7020905-A	—Fin. strp. (tan) 1946-7, 70A	6.00
10	6A-7020905-B	—Fin. strp. (beige) 1947-8, 70A	4.30
10	51A-7020905-B	—Fin. strp. (blue-grey met) 1946-7, 70B	6.00
10	6A-7020905-A	—Fin. strp. (grey met) 1947-8, 70B, 72B	4.30
10	51A-7320905-A	—Fin. strp. (tan) 1946-7, 73A, 77A	6.75
10	51A-7320905-B	—Fin. strp. (blue-grey met) 1946-7, 73B, 77B	6.75
10	6A-7320905-A	—Fin. strp. (grey met) 1947-8, 73B, 77B	7.00
10	6A-7320905-B	—Fin. strp. (beige) 1947-8, 73A, 77A	6.75
11	21A-7021446	—Wthstp. (out.)	1.10
12	21A-7021410	—Glass, 70, 72B	6.70
12	21A-7321410	—Glass, 73, 77	5.00
13	51A-7022297-B	—Div. bar (thin glass)	3.55
13	51A-7022297-C	—Div. bar (thick glass)	3.30

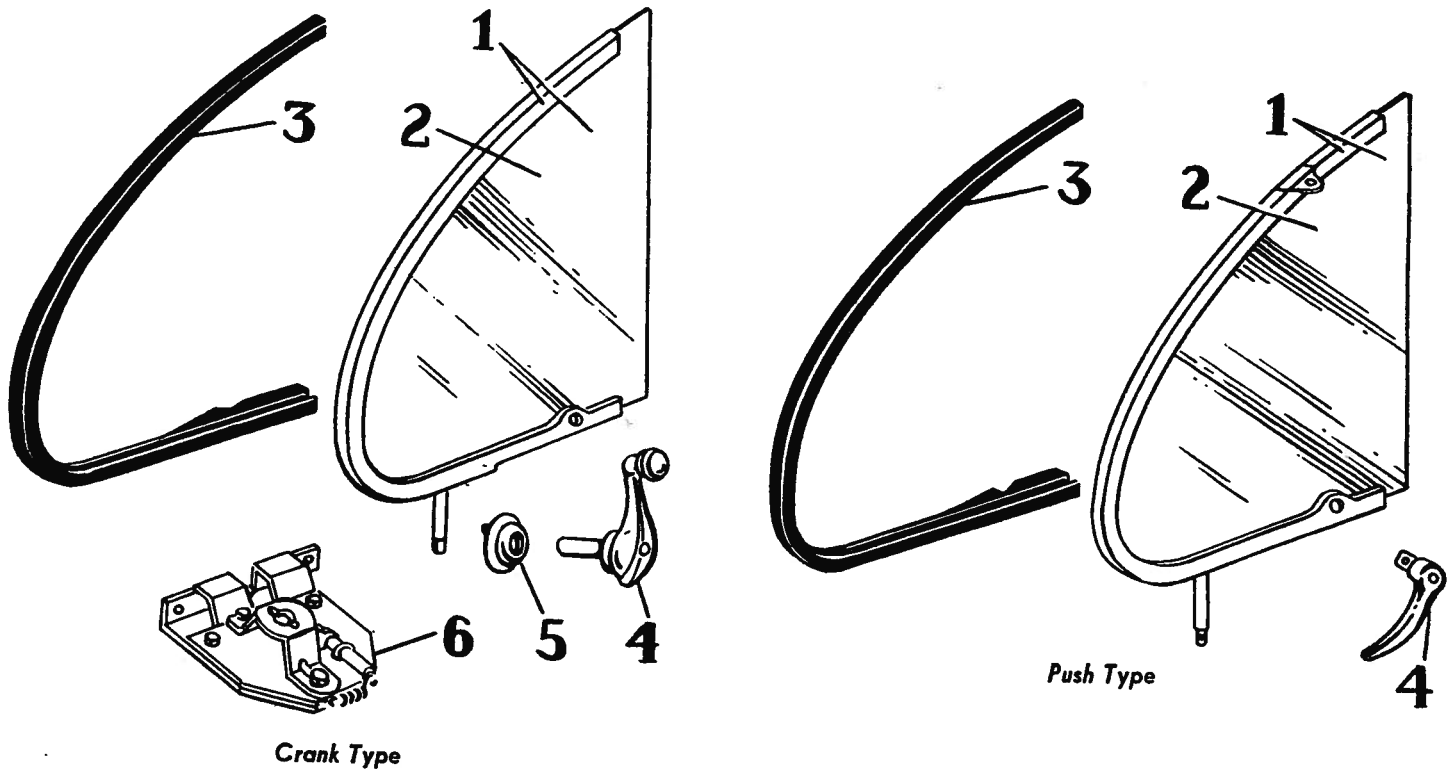


DOOR PARTS BODY TYPES

Item	Part No.	Description	Price
70A	—DELUXE TUDOR SEDAN		
70B	—SUPER DEL. TUDOR SEDAN		
72B	—SUPER DEL. SEDAN COUPE		
73A	—DELUXE FORDOR SEDAN		
73B	—SUPER DEL. FORDOR SEDAN		
77A	—DELUXE COUPE, 5-WINDOW		
77B	—SUPER DEL. COUPE, 5-WINDOW		
1	11A-7020123-A	—Door assy., 70, 72B	50.40
1	11A-7320123-A	—Door assy., 73	45.00
1	11A-7720123-A	—Door assy., 77	45.00
1	51A-7023342-A	—Handle (tan) 1946-7, del.	1.00
1	51A-7023342-B	—Handle (grey) 1947-8, sup.	.95
1	6A-7023342	—Handle (beige) 1947-8, all	1.00
2	51A-7022618-A	—Escutcheon (tan) 1946-7, del.	.20
2	51A-7022618-B	—Escutcheon (grey) 1946-8, sup.	.50
2	6A-7022618	—Escutcheon (beige) 1947-8, all	.28
3	11A-7023201-A	—Regulator, 70, 72B	3.60

FORD 1946 to 1948 BODY PARTS

Models 69A, 6GA, 79A, 7GA, 7HA, 89A, 8HA. ALL BODY STYLES

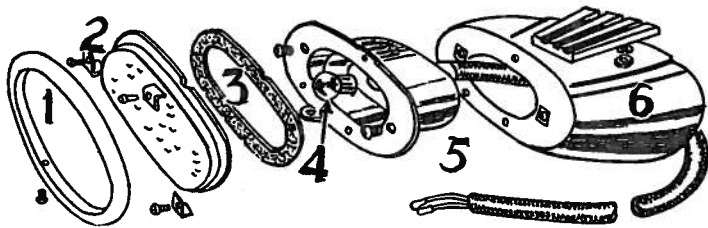


Crank Type

Push Type

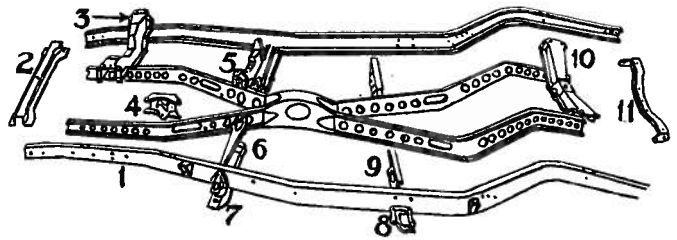
FRONT VENTILATOR WINDOW PARTS

Item Part No.	Description	Price	Item Part No.	Description	Price	Item Part No.	Description	Price	Item Part No.	Description	Price
BODY TYPES—70, 72, 73, 77, 79											
1	51A-7021407-A—Assem., 70A, 73A, 77A, 1946-7.....	5.75	1	51A-7021407-B—Assem., 70B, 72B, 73B, 77B, 79B..	6.35	3	21A-7921449-A—Wthstp. assy. (79B)70	4	51A-7923410—Handle (crank) (79)70
1	51A-7021407-A—Assem., 70, 72, 73, 77, 79.....	5.75	2	11A-7021412-A—Glass, 70, 72, 73, 77, 79.....	2.15	4	01A-7022917-B—Handle (push type)50	5	51A-7023404—Escutcheon ..	.35
			3	21A-7021449-A—Wthstp. assy., 70, 72, 73, 77.....	.80	4	51A-7023410—Handle (crank)	1.00	6	11A-7023403—Regulator (sup. del.), pass.....	2.00
									6	11A-7923403—Regulator (79)	2.00



REAR LAMP ALL MODELS

Item Part No.	Description	Price	Item Part No.	Description	Price
1	21A-13448-A—Door (pass)..	.10	3	11A-13461—Gasket (Sptm.)	.06
1	40-13448—Door (sta. wag.)	.35	3	21A-13461—Gasket06
2	21A-13450—Lens45	4	11A-13465—Bulb29
2	11A-13450—Lens (Sportsm.)	.40	5	01C-13410—Socket & wiring	.45
2	40-13450-A—Lens (sta. w.)	.40	5	51A-13410—Socket & wiring (Sports)55
3	40-13461—Gasket (sta. wag.) 1947-805	6	21A-13408—Body	1.50

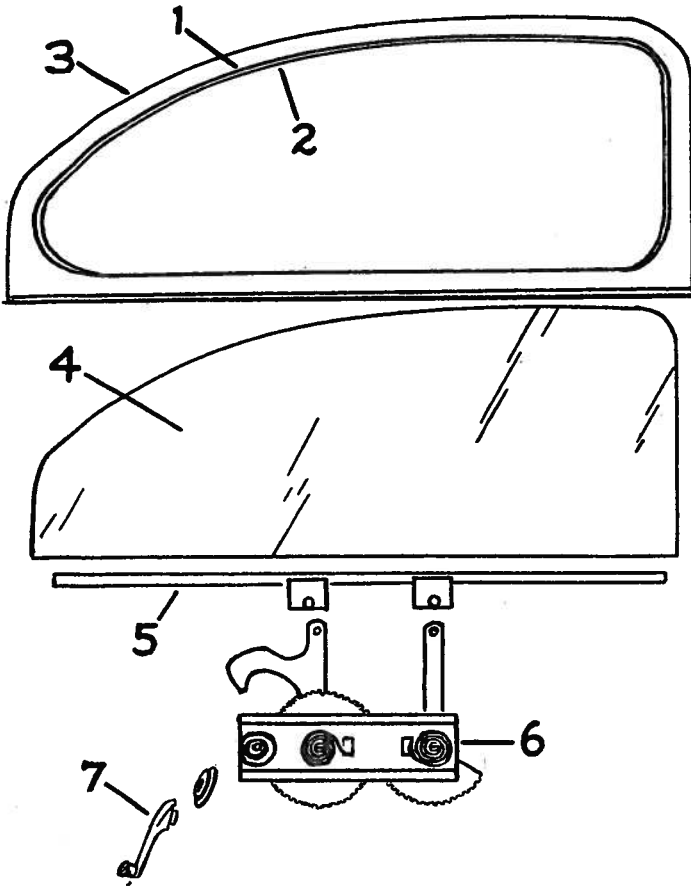


FRAME ALL MODELS

Item Part No.	Description	Price	Item Part No.	Description	Price
1	51A-5005-D—Frame assy. (except 71, 76).....	70.00	7	21A-16457-A—Brkt. (fr. to r. brd.)90
1	51A-5006-E—Frame assy. (71, 76)	70.00	7	21A-16457-D—Brkt. (fr. to r. brd.) alum.....	.45
2	51A-5071—Bar (rad. sup. cross)	1.40	8	21A-16471—Brkt. (fr. to r. brd.)	1.85
3	11A-5019—Cross member ..	5.50	9	21A-5068—Brace	1.40
4	11A-5104-B—Brkt. (str. gr.)	1.50	10	51A-5029—Cross member ..	8.25
5	21A-5059—Brkt. (eng. sup.)	.70	11	11A-5035—Cross member ..	1.75
6	11A-5048—Brace50			

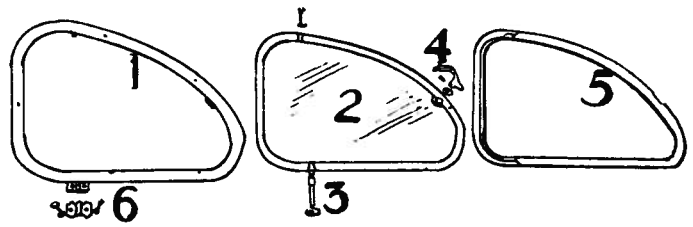
BODY PARTS 1946 to 1948 FORD

Models 69A, 6GA, 79A, 7GA, 7HA, 89A, 8HA. ALL BODY STYLES



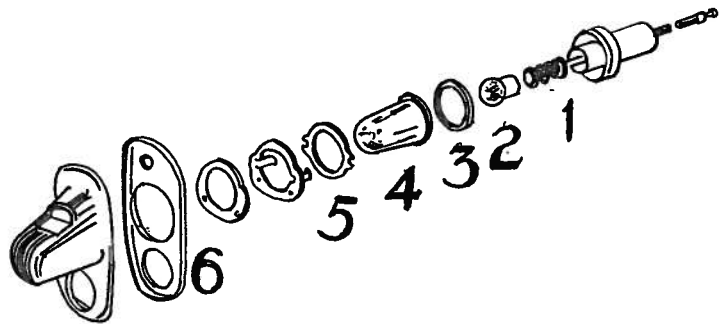
QUARTER WINDOW
BODY TYPE—70—2-DOOR SEDAN

Item Part No.	Description	Price	Item Part No.	Description	Price
1	11A-7029743-A—Wthstp., outer, 70A	1.30	3	6A-7029003-A—Fin. strip, 70A	6.25
1	11A-7029743-C—Wthstp., outer, 70B	1.4C	3	51A-7029003-B—Fin. strip, 70B	5.25
2	11A-7029745-A—Wthstp., inner, 70	1.20	3	6A-7029003-B—Fin. strip, 70B	6.25
2	11A-7029745-B—Wthstp., inner, 70B	1.40	4	11A-7029710—Glass	9.25
3	51A-7029003-A—Fin. strip, 70	5.25	5	11A-7029901—Channel assy.	1.10
			6	11A-7030307-A—Regulator	3.60
			7	51A-7023342-A—Handle, tan	1.00
			7	51A-7023342-B—Handle, grey	.95



QUARTER WINDOWS
BODY TYPES 72 COUPES
73 4-DR. SEDANS

Item Part No.	Description	Price	Item Part No.	Description	Price
51A-7229701-A	Glass & fr. assy., comp., 1946-7, 72B	19.00	1	6A-7329003-A—Finish strip, 1-hole top, 1947-8, 73B...	3.25
6A-7229701-A	Glass & fr. assy., comp., 1947-8, 72B	12.75	1	6A-7329003-C—Finish strip, 2-hole top, 1947-8, 73B...	3.25
51A-7229700-X	Glass & fr. assy., comp., 1946-7, 72B	17.60	2	19A-7229710-A—Glass, 72B...	4.25
6A-7229701-B	Glass & fr. assy., comp., 1947-8, 72B	12.75	2	11A-7329710-A—Glass, 73A...	5.05
51A-7329701-A	Glass & fr. assy., comp., 1946-7, 73B	16.90	2	11A-7329710-B—Glass, 73B...	4.25
51A-7329701-X	Glass & fr. assy., comp., 1946-7, 73B	17.60	3	19A-7229719-A—Glass & fr. assy., 1946-7, 72B.....	9.50
6A-7329701-A	Glass & fr. assy., comp., 1947-8, 73B	17.50	3	51A-7229719-A—Glass & fr. assy., 1947-8, 72B.....	10.00
6A-7329701-B	Glass & fr. assy., comp., 1947-8, 73B	17.50	3	19A-7329719-A—Glass & fr. assy., 1946-7, 73B.....	13.10
1	51A-7229003-A—Finish strip, blue grey, 1946-7, 72B....	3.50	3	51A-7329719-A—Glass & fr. assy., 1947-8, 73B.....	10.00
1	51A-7229003-X—Finish strip, tan, 1948-7, 72B.....	3.50	4	78-735281—Handle, 72B, 73B.....	.35
1	6A-7229003-A—Finish strip, 1-hole top, 1947-8, 72B...	3.00	5	19A-7229905-B—Wthstp., 1946-7, 72B.....	1.55
1	6A-7229003-C—Finish strip, 2-hole top, 1947-8, 72B...	3.00	5	51A-7229905-A—Wthstp., 1947-8, 72B.....	1.55
1	51A-7329003-A—Finish strip, blue grey, 1946-7, 73B....	3.70	5	11A-7329905-C—Wthstp., 1946-7, 73B.....	1.95
1	51A-7329003-X—Finish strip, tan, 1946-7, 73B.....	4.00	5	51A-7329905-A—Wthstp., 1947-8, 73B.....	1.95
			6	11A-7330548—Clamp.....	.04



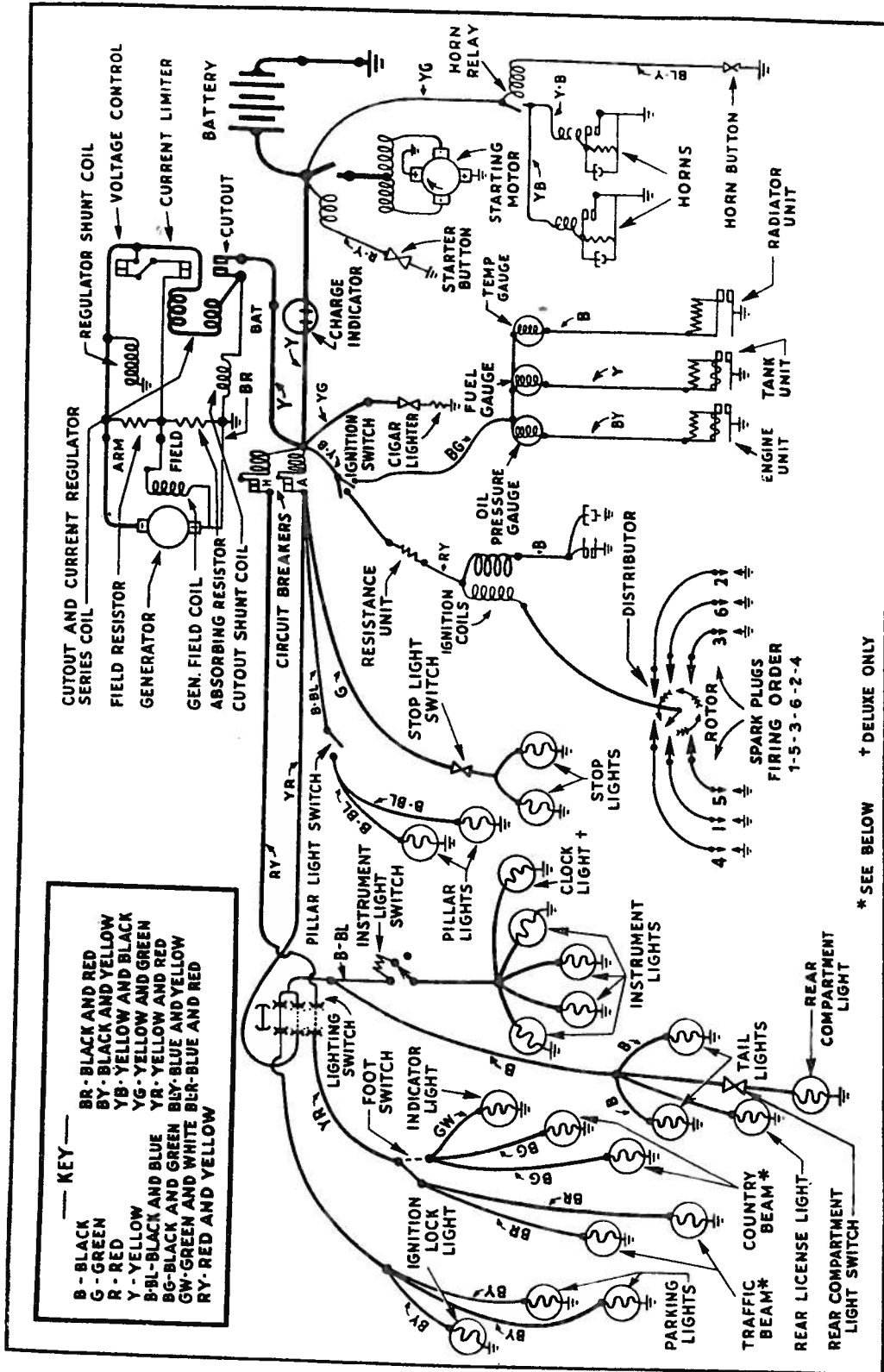
LICENSE LAMP
EXCEPT STATION WAGON &
SPORTSMAN COUPE

Item Part No.	Description	Price	Item Part No.	Description	Price
1	11A-13550—Lamp assy.	2.75	4	99A-13564—Lens	.30
1	81A-13412—Socket	.15	5	99A-13569—Gasket	.05
2	B-13466—Bulb	.10	6	11A-13572-A—Pad	.10
3	99A-13568-A—Gasket	.05			



FORD 1946 to 1948 CHASSIS WIRING

Models 69A, 6GA, 79A, 7GA, 7HA, 89A, 8HA. ALL BODY STYLES

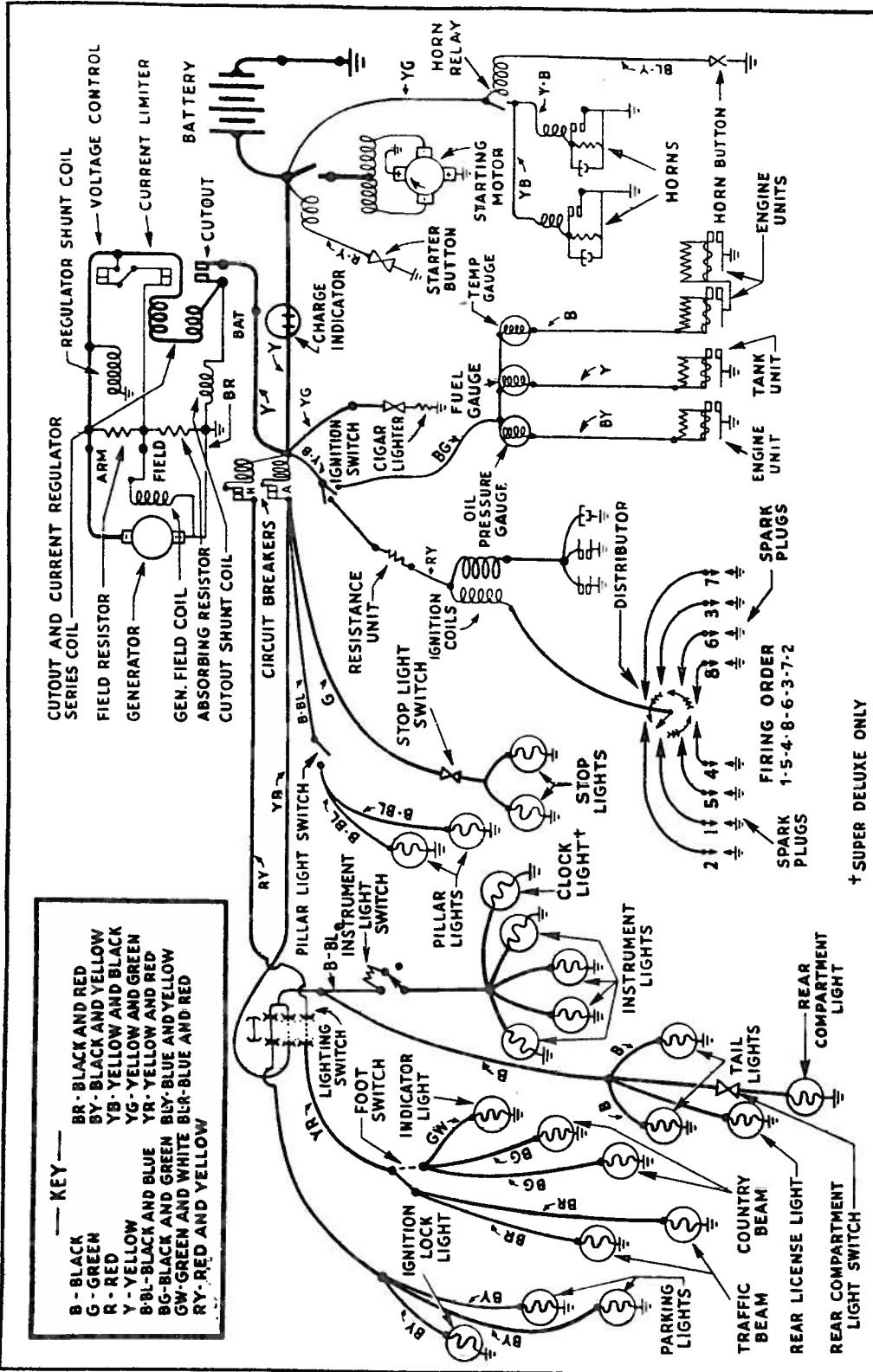


SIMPLIFIED WIRING DIAGRAM OF 6 CYL. CAR,

*Tail light, stop light and head light bulbs are actually two filament bulbs; they have been shown on separate bulbs in this diagram to simplify the circuits.

CHASSIS WIRING 1946 to 1948 FORD

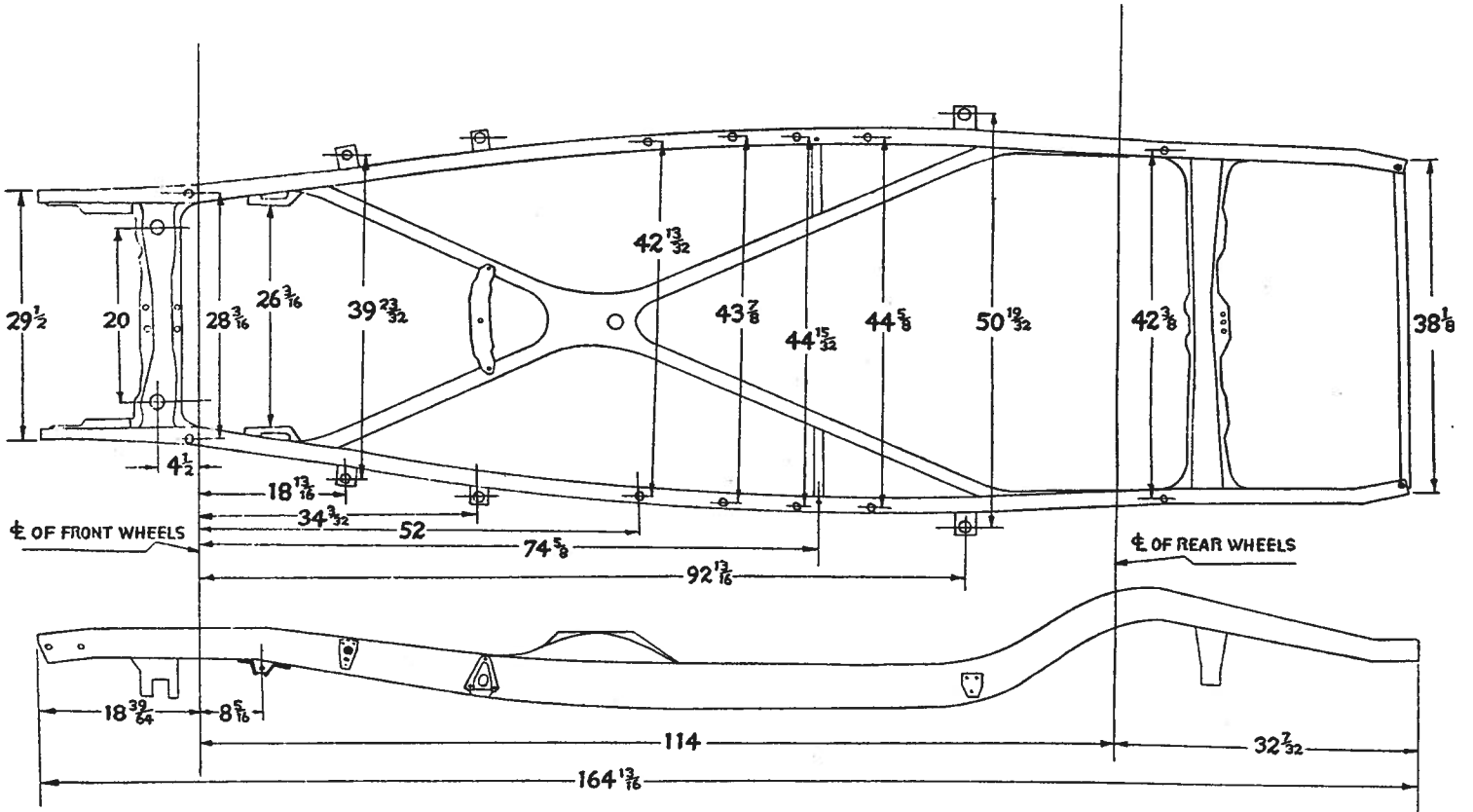
Models 69A, 6GA, 79A, 7GA, 7HA, 89A, 8HA. ALL BODY STYLES



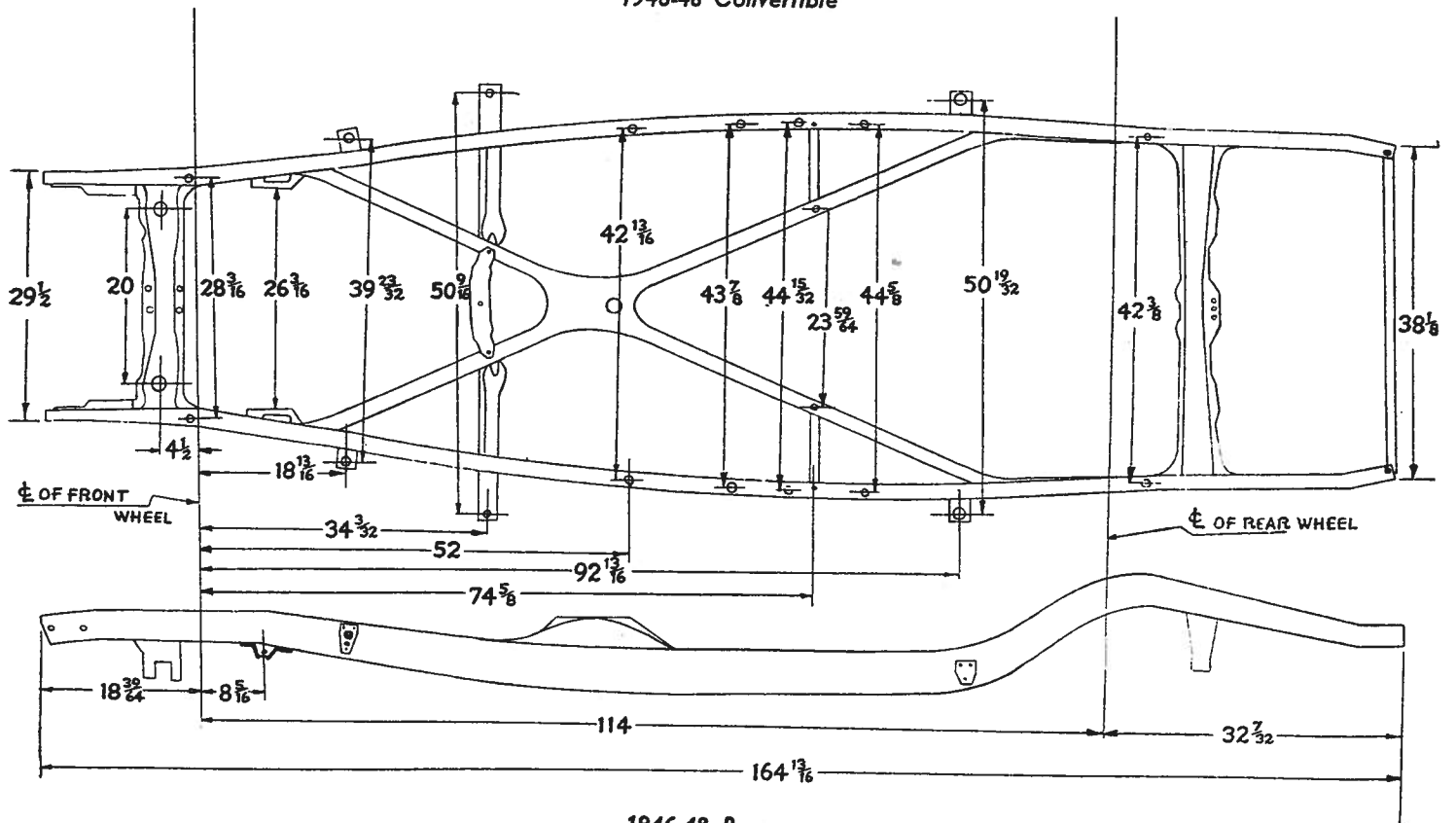
SIMPLIFIED WIRING DIAGRAM OF DELUXE AND SUPER DELUXE FORD V-8, *Tail light and headlight bulbs are actually two filament bulbs; they have been shown as separate bulbs in this diagram to simplify the circuits.

FORD 1946 to 1948 FRAME

Models 69A, 6GA, 79A, 7HA, 89A, 8HA. ALL BODY STYLES



1946-48 Convertible



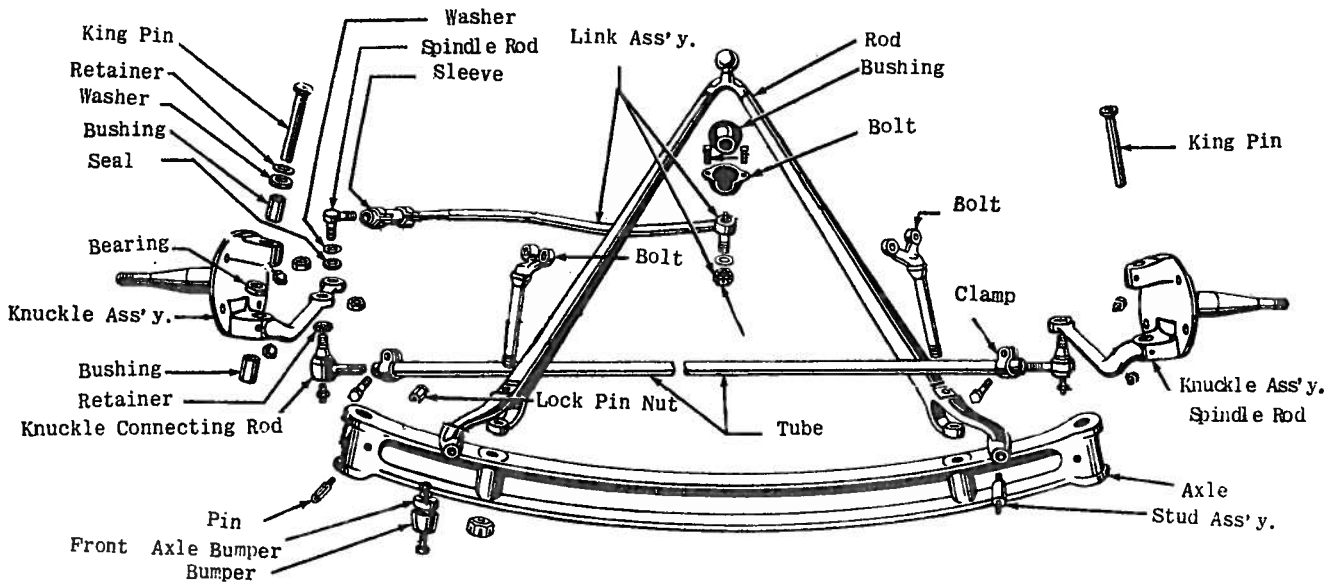
1946-48 Passenger

FLAT RATE 1946 to 1948 FORD

Models 69A, 6GA, 79A, 7GA, 7HA, 89A, 8HA. ALL BODY STYLES

Chilton Job No.	Chilton Labor Price	Chilton Job No.	Chilton Labor Price	Chilton Job No.	Chilton Labor Price	Chilton Job No.	Chilton Labor Price	Chilton Job No.	Chilton Labor Price	Chilton Job No.	Chilton Labor Price	Chilton Job No.	Chilton Labor Price	Chilton Job No.	Chilton Labor Price		
A		A—continued		A—continued		B—continued		C—continued		D		E—continued		E—continued			
1	2.00	7	2.00	20x	10.00	8	19.00	3	3.00	3	20.00	13	110.00	F—continued			
2	1.25	8	1.25			10	1.75	4	2.50	4	19.00	14	20.00	G			
3		9	4.50			11	3.25	5	4.00	5	1.75	15	100.00	1	50.00	2	25.00
4	17.50	10				12	3.75	6	2.00	6	4.50	16		3	23.00	4	
4a		11	3.00	B		13		7	10.00	7	15.00	17		5	4.50	5	15.00
4b	2.00	12	4.50	1	8.50	14	3.00	8	4.00	7x		18	12.00	6	2.00	6	2.00
4c	5.00	13	1.50	1a	5.00	15	1.25	9		8		19	12.00	7	2.00	7	2.00
5		14		2	28.00			10		9	75.00			8	4.00	8	4.00
5a		15	.75	3	20.00			11	3.25	9x	77.00			9		9	75.00
5b		16		4	1.75	C		12	3.75	10				10		10	45.00
5c		17	1.50	5	4.00	1	7.50	13		11	3.00			11		11	45.00
5d		18	12.00	6	2.00	1a	4.50	14	3.00	12				12		12	12.00
5e		19	7.50	7	2.00	2	28.00	15	1.25	20	3.00			13		13	
6	22.00	20	7.50	8	4.00					1	55.00	F		14	3.00	14	12.00
										2	25.00	1	7.50				
												1a	4.50				

STEERING GEOMETRY



CASTER: 4 1/2 degree minimum. 9 degree maximum.
CAMBER: 1/4 degree minimum. 1 degree maximum.
TOE-IN: 1/16 inches.

KING PIN INCLINATION: 8 degrees.
 Adjustment for camber is by bending axle.
 Caster may be adjusted by twisting the axle, radius rod or both.