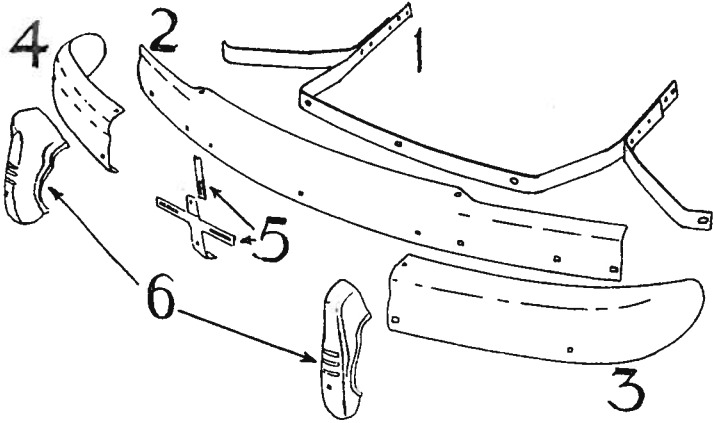


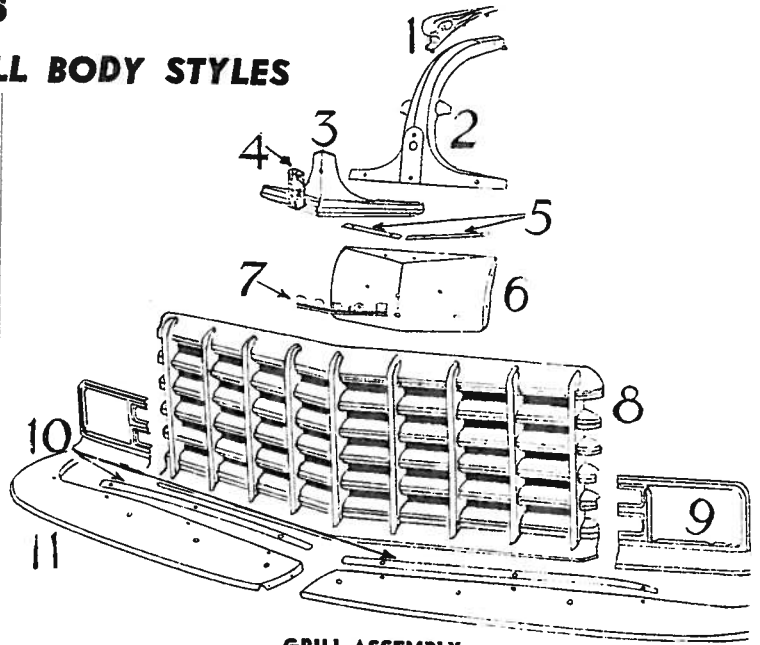
DODGE 1946 to 1948 BODY PARTS

Series D24. ALL BODY STYLES



FRONT BUMPER ASSEMBLY

Item Part No.	Description	Price	Item Part No.	Description	Price
1 1124002	Support assy.	7.55	4 1124394	End plate, R.	6.75
2 1124001	Face bar	14.95	5 1124157	Bracket assy.	.70
3 1125093	End plate, L.	6.75	6 954688	Buffer plate, L.	3.95

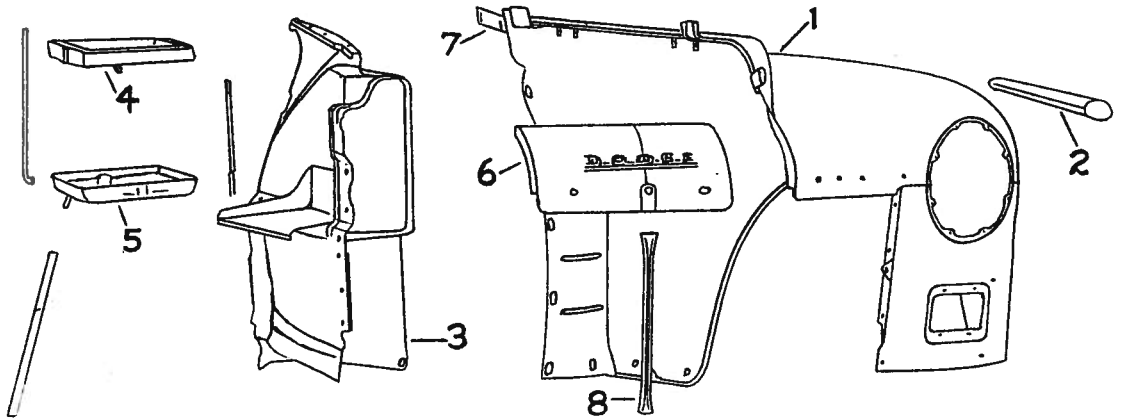


GRILL ASSEMBLY

Item Part No.	Description	Price	Item Part No.	Description	Price
1 115852	Ornament	4.30	7 1065783	Name plate	1.15
2 1065896	Panel, center	2.80	8 1148427	Grille assy.	35.40
3 1154108	Mold, center	2.70	9 1148785	Frame, L.	3.75
4 1148108	Medallion	2.00	10 313073	Anti-squeak	.06
5 313073	Anti-squeak	.06	11 1148124	Deflector, L.	1.25
6 1065801	Panel	2.15			

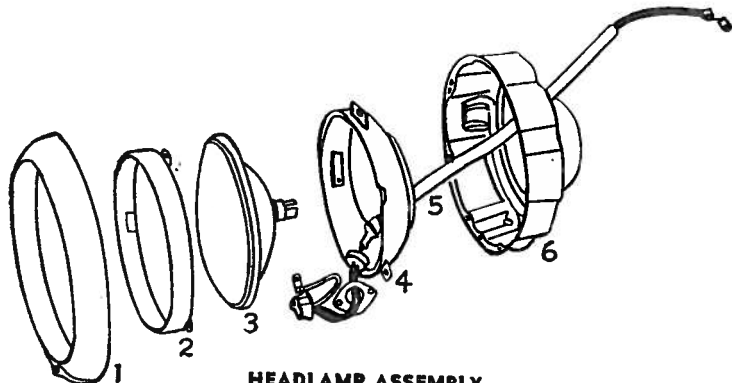
FRONT FENDER ASSEMBLY

Item Part No.	Description	Price
1 1065516	Fender, front L.	26.50
2 1148789	Molding, L.	2.30
3 1122344	Shield, L.	7.50
4 865414	Strap	.65
5 957778	Tray	.80
6 1065783	Name plate	1.15
7 313073	Anti-squeak	.06
8 1122239	Brace, low. L.	.15



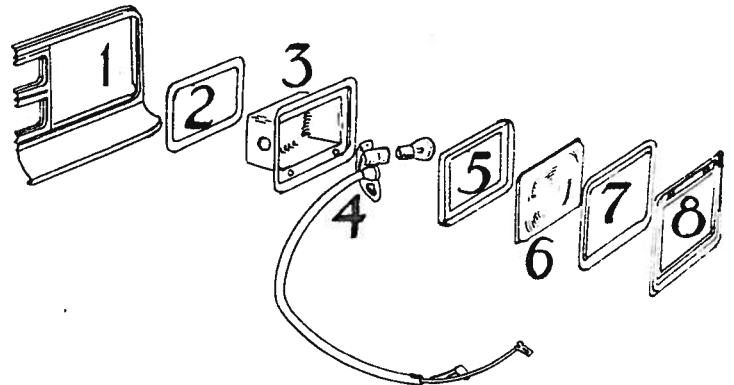
HEADLAMP ASSEMBLY

Item Part No.	Description	Price	Item Part No.	Description	Price
1 938964	Door	1.95	859974	Switch, dimmer	1.05
2 946942	Ring, chrome	1.55	990547	Switch, lights	2.40
3 987768	Ring, black enam.	1.35	1163992	Indicator, assy.	.90
4 853369	Sealed beam unit	1.25	1163991	Indicator, assy.	.85
5 946940	Seat assy.	1.55	695923	Body	.15
6 1149884	Cable & socket, L.	1.55	657572	Contact	1.15
7 1154200	Shell assy.	2.40	385532	Spring	1.15
8 683995	Sw. block	.30	682198	Socket	.10



PARKING LAMP ASSEMBLY

Item Part No.	Description	Price	Item Part No.	Description	Price
1 1148784	Frame	3.75	4 1154382	Cable & socket, 22 1/2"	1.10
2 1161407	Gasket	.06	5 1154373	Gasket	.35
3 1154372	Housing	.90	6 1154375	Glass	.45
4 1161500	Cable & socket, 85"	2.40	7 1154374	Retainer	.30
5 1154387	Cable & socket, 27"	1.50	8 1154377	Bezel, L.	1.10
6 1149844	Cable & socket, 70"	10.00			

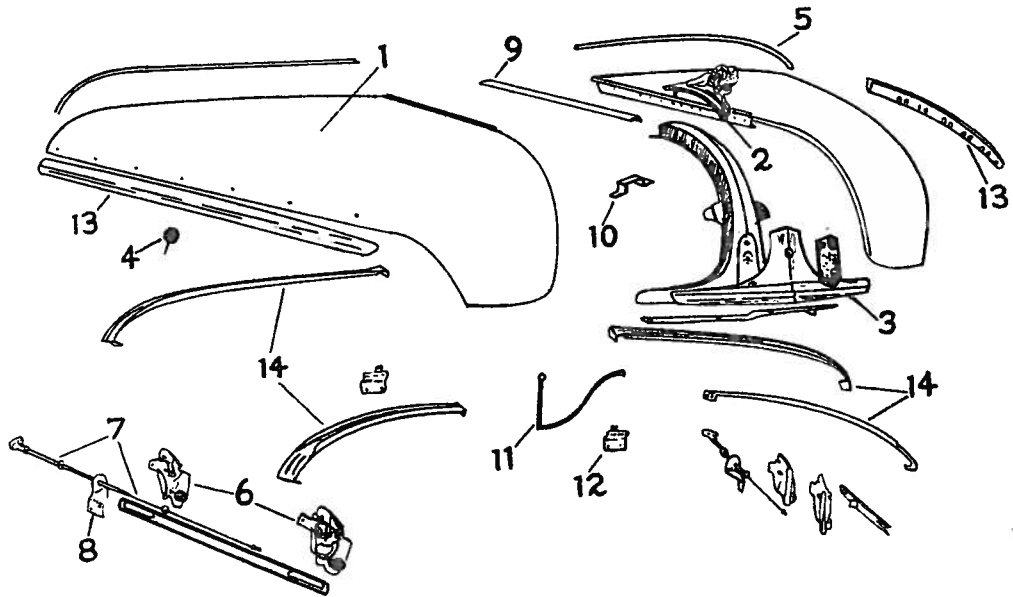


BODY PARTS 1946 to 1948 DODGE

Series D24. ALL BODY STYLES

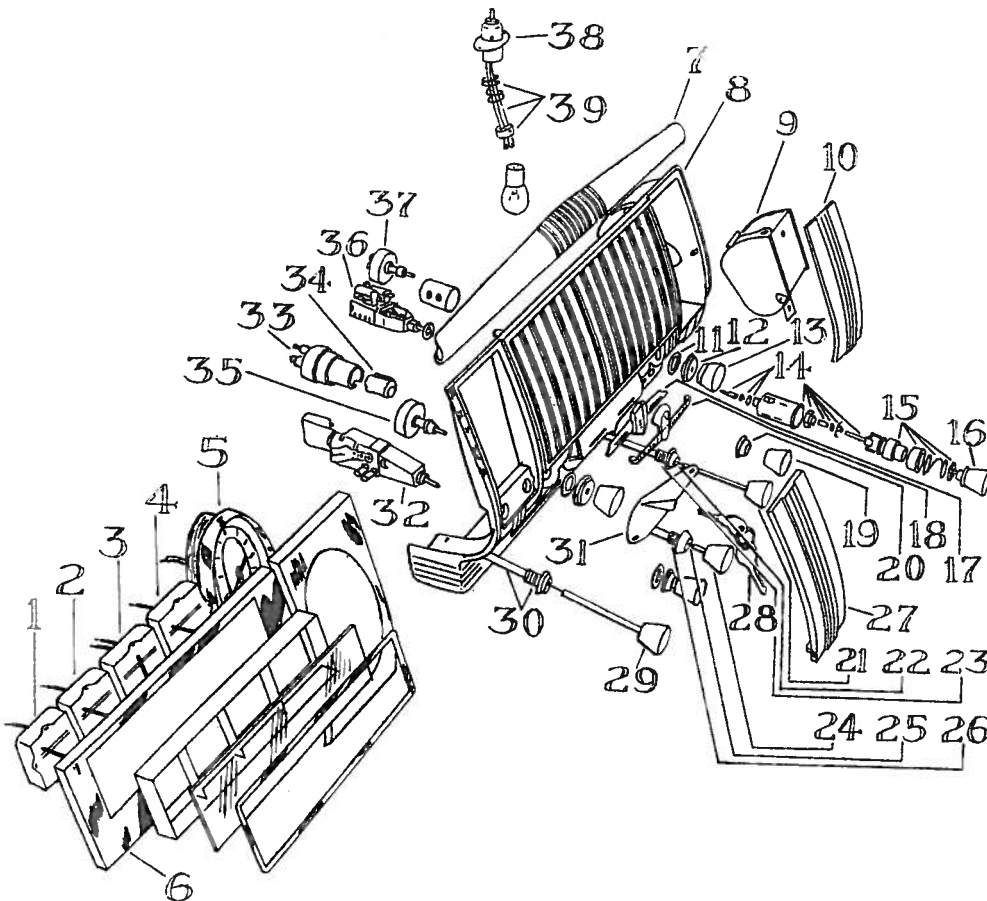
HOOD ASSEMBLY

Item	Part No.	Description	Price
1	1148103	Panel, L.	13.75
2	1158552	Ornament	4.30
3	1148108	Hood, name plate	2.00
4	908300	Bumper, front	3.46
4	972724	Bumper, top	3.46
5	747877	Strip	.08
6	983400	Hood lock assy., L.	.95
7	1148896	Control	1.00
7	1154277	Control	1.00
8	908815	Support, L.	.15
9	902615	Hinge, L.	.60
9	951583	Hinge, center	1.95
10	899458	Support, F.	.10
10	899459	Support, rear	.10
11	793885	Prop, L.	.30
12	795231	Catch, L.	.10
13	1154194	Mold., side R.	2.80
13	1154195	Mold., side L.	2.80
13	1154108	Mold., center	2.70
14	950205	Strainer	.65



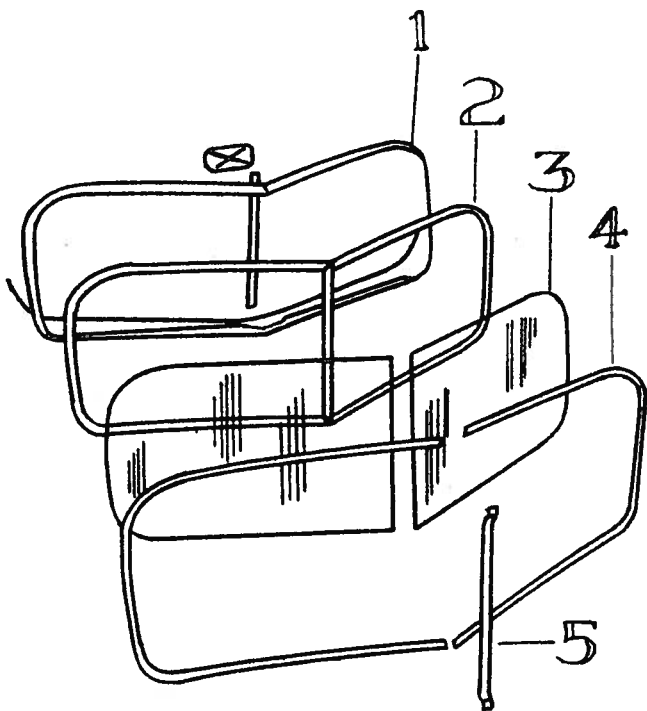
INSTRUMENT PANEL ASSEMBLY

Item	Part No.	Description	Price
1	1154246	Rad. (Fahren.)	4.45
1	1232664	Rad. (Fahren.)	4.45
1	1154253	Radimeter (cent.)	4.45
1	1232665	Radimeter (cent.)	4.45
2	1154248	Oil, gage assy.	2.45
3	1154245	Ammeter	2.25
4	1154247	Fuel, gage	3.85
5	1154216	Speed. assy. (mile)	14.95
5	1154217	Speed. assy. (kilo.)	14.95
6	974678	Bezel	.50
7	1148647	Mold.	1.75
8	1149073	Grille, panel center	12.10
9	899514	Receiver	.80
10	1149065	Plate	1.55
11	675877	Washer	1.15
12	947066	Nut	.15
13	1149823	Knob (brown)	.35
13	1154205	Knob (black)	1.75
14	1167932	Shell	1.25
15	687484	Element	.97
16	1154215	Knob (black)	.60
16	1149801	Knob (Ivory)	.60
17	1149743	Medallion	1.25
18	1149097	Retainer	1.55
19	1149823	Knob (brown)	.35
19	1154205	Knob (black)	.35
20	898504	Nut	.15
21	1149393	Knob (ex. cv. cp.)	.40
21	1154214	Knob, cv. cp.	.40
22	974511	Shaft & wire assy.	.70
23	908784	Housing	.75
24	1149392	Knob assy., ex. cv. cp.	.40
24	1154212	Knob, cv. cp.	.40
25	974511	Shaft & wire assy.	.70
26	908784	Housing	.75
27	951981	Cover	1.25
28	1161525	Keys, CA1-CA800.	.30
28	689869	Keys, BP series.	.30
28	1158623	Keys, HK series.	.30
29	1154207	Button & wire (black)	.85
29	1149395	Button & wire (beige)	.85
30	908784	Housing assy.	.75
31	947177	Lens	.35
32	990547	Switch assy.	2.40
33	1149893	Housing assy.	1.55
34	854745	Lock & key pack. (BP ser.)	1.46
34	1233114	Lock & key pack. (HK ser.)	1.65
35	1235517	Switch assy.	1.00
36	1161574	Switch assy.	1.00
37	947065	Switch assy.	.75
38	947159	Socket	.15
39	1163929	Cable assy.	.45



DODGE 1946 to 1948 BODY PARTS

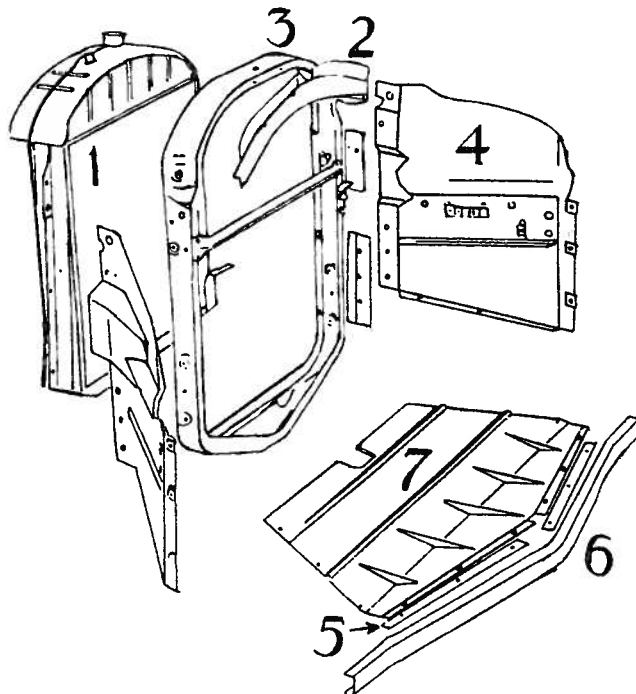
Series D24. ALL BODY STYLES



WINDSHIELD ASSEMBLY

Item Part No.	Description	Price
1 1152704	Mold, assy., ex. cv.	5.20
1 893607	Mold., assy., cv.	2.90
2 946017	Wthstp, ex. conv.	6.75
2 893401	Wthstp, conv.	6.50
3 892189	Glass, ex. conv.	P.O.A.
3 892869	Glass, cv.	P.O.A.

Item Part No.	Description	Price
4 892381	Mold., out., L., ex. cv.	1.00
4 892906	Mold., out., L., cv.	1.55
5 893059	Bar, div. ex. cv.	1.50
5 893407	Bar, div. cv.	1.65



RADIATOR ASSEMBLY

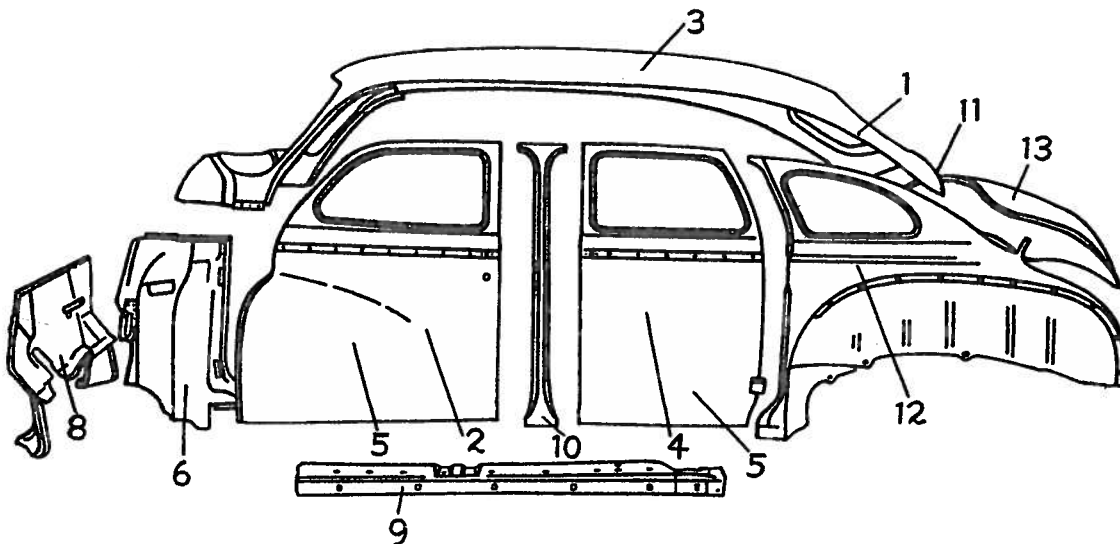
Item Part No.	Description	Price	Item Part No.	Description	Price
1 973695	Core	54.50	4 115513	Shield, L.	2.20
2 975925	Plate	1.00	5 313073	Anti-squeak	.08
3 972874	Support, early	6.05	6 1065754	Bar	1.65
3 1158317	Support, late	6.05	7 1065780	Shield	1.85

CAR BODY 4 DOOR

This list applies to Body Styles.

1946—D24—4D., Twn. Sdn., 2 D., 3 cp., C. cp., Cv. cp. 7 Sd. Limo.
1947—D24—4 D., Twn. Sdn., 2 D. 3 cp., C. cp., Cv. cp. 7 Sd. Limo.
1948—D24—4 D., Twn. Sdn., 2 D., 3 cp., Cv. cp. C. cp. 7 Sd. Limo.

Item Part No.	Description	Price
1 977147	Trough, L.	1.30
1 892270	Trough, L., twn. sdn.	1.15
1 1155317	Trough, L., 7 sd., limo.	1.65
2 1163439	Door, L., front.	46.00
2 1163441	Door, L., front, twn. sd.	48.80
2 1163443	Door, L., front, 7 sd. limo.	48.90
3 943768	Panel, roof rep.	36.80
3 1151902	Panel roof assy.	68.45
3 1151903	Panel roof assy., 7 sd.	77.65
4 976899	Door assy., rear L.	34.50
4 976901	Door assy., rear L., twn. sd.	37.40
4 976903	Door assy., rear L., 7 sd.	37.40
4 976905	Door assy., rear L., limo.	37.40
5 1163499	Panel, F.D. rep., L.	10.50
5 977485	Panel, R.D. rep.	10.50
6 1152862	Panel, cowl side, L.	12.65
8 1155838	Panel, dash	9.20
9 1149957	Sill assy., L., 4 d.	8.66



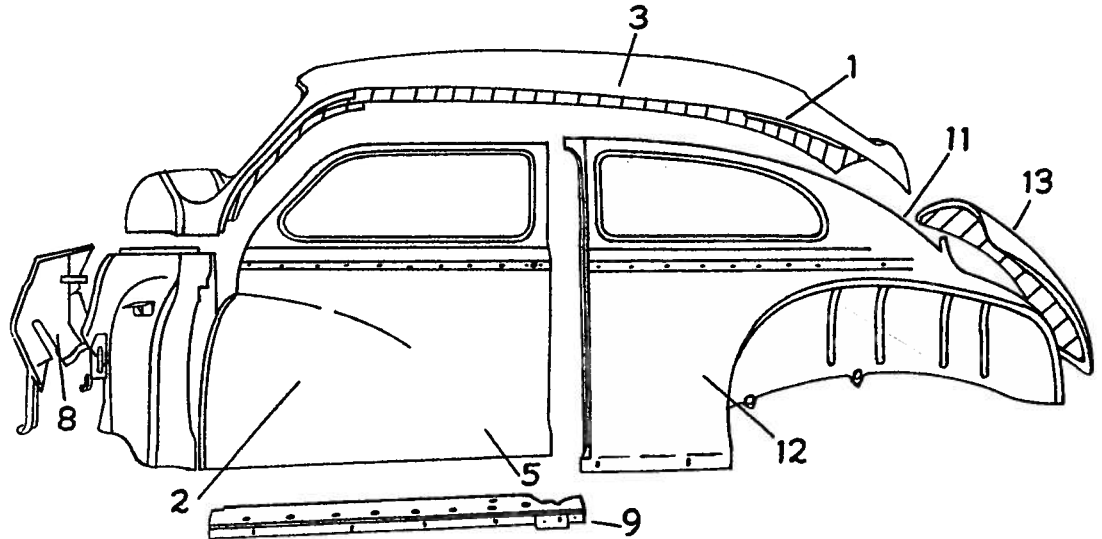
Body Sheet Metal

Item Part No.	Description	Price
9 1149963	Sill assy., L., twn. sd.	8.65
9 1149090	Sill assy., L., 7 sd. limo.	5.00
10 992473	Pillar, center L., 4 d.	8.35

Item Part No.	Description	Price	Item Part No.	Description	Price
10 943131	Pillar, center L., 7 sd., limo.	8.35	12 1158401	Panel, L., ex. twn. sd.	43.15
10 943148	Pillar, center L., twn. sd.	9.20	12 1158409	Panel, L., twn. sd.	38.55
11 942885	Panel, rep.	5.70	13 1154095	Lid assy.	27.50

BODY PARTS 1946 to 1948 DODGE

Series D24. ALL BODY STYLES



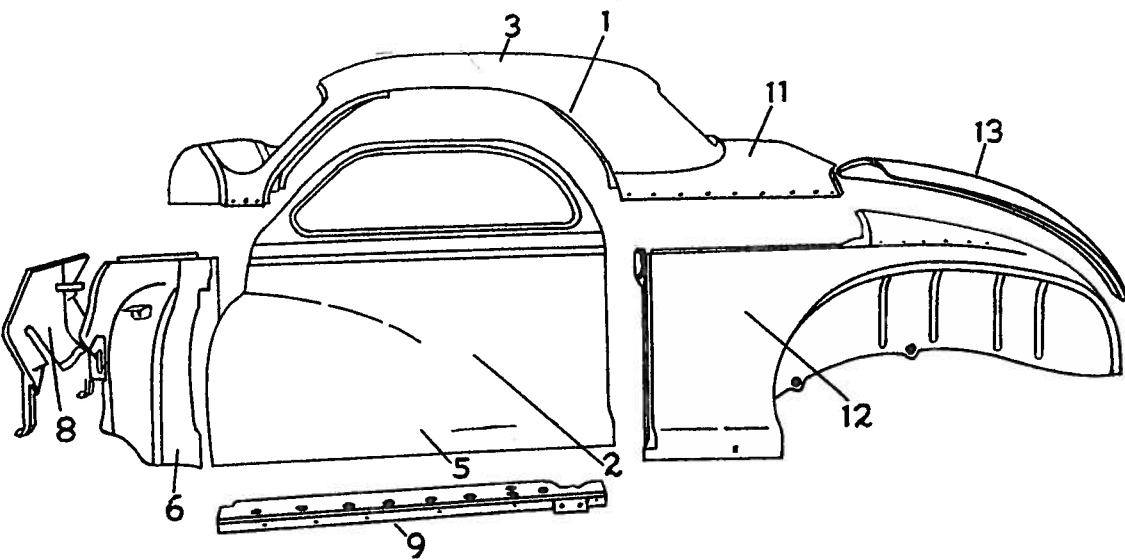
Body Sheet Metal

CAR BODY 2 DOOR

Item Part No.	Description	Price
1	977147—Trough, L.	1.30
2	1163443—Door, L.	48.90
3	943768—Panel, roof rep.	36.80
3	1151902—Panel, roof assy.	68.45
5	1163499—Panel, F.D. rep., L.	10.50
8	1155838—Panel, dash assy.	9.20
9	1149959—Sill, assy., L.	1.60
11	942885—Panel rep.	5.70

QUARTER PANEL

Item Part No.	Description	Price
12	1161275—Panel, L.	47.15
12	1158419—Panel, L.	51.75
13	1154095—Lid assy.	27.50



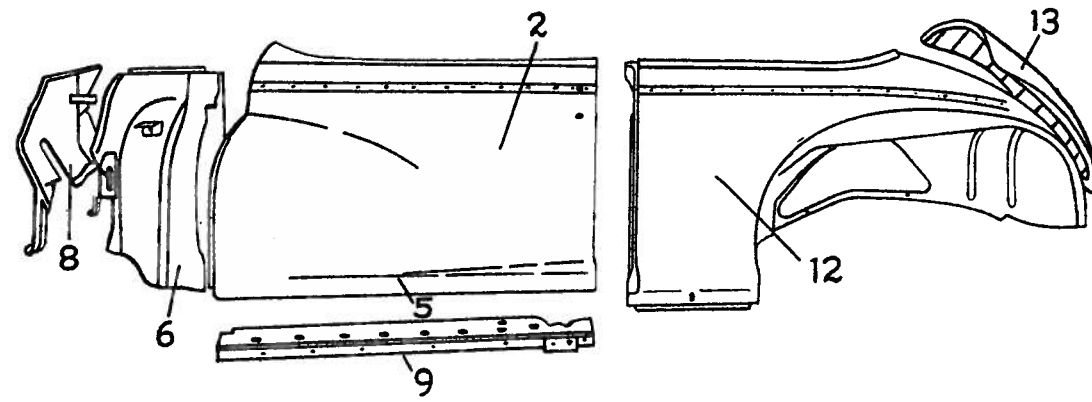
CAR BODY

COUPES AND CONVERTIBLES

Item Part No.	Description	Price
1	901823—Trough, L., 3 cp.	.90
1	902057—Trough, L. C., cp.	1.15
2	1163445—Door, L., 3 cp. C.	48.90
2	1163447—Door, L., cv. cp.	54.65
3	1151904—Panel, roof assy., 3 cp.	85.50
3	1151905—Panel, roof assy., C. cp.	10.50
5	1163499—Panel, door rep.	10.50
6	1155404—Panel, cowl side, L., cv. cp.	28.50
7	1155460—Panel, cowl, up., cv. cp.	22.45
8	1155838—Panel, dash, ex. cv. cp.	9.20
8	1155843—Panel, dash, cv. cp.	10.35
9	1149961—Sill, L., 3 cp. C. cp.	8.65
11	941254—Panel, rep. 3 cp. C. cp.	5.70
11	977597—Panel, rep. Cv. cp.	5.70

QUARTER PANELS

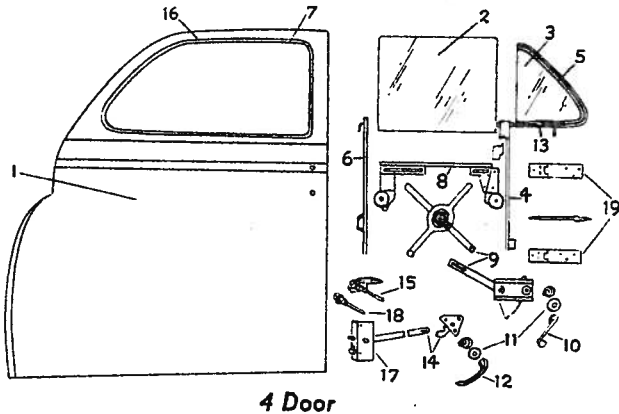
Item Part No.	Description	Price
12	1161807—Panel, L., 3 cp.	40.25
12	1161617—Panel, L., C. cp.	46.00
12	1161619—Panel, L., cv. cp.	46.00
13	1154407—Lid assy.	32.80



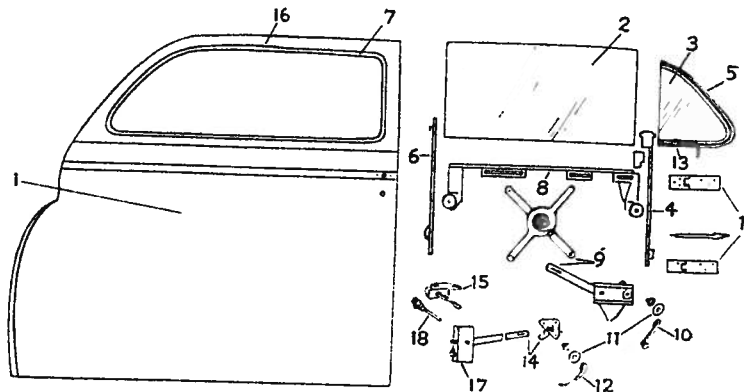
Body Sheet Metal

DODGE 1946 to 1948 BODY PARTS

Series D24. ALL BODY STYLES



4 Door



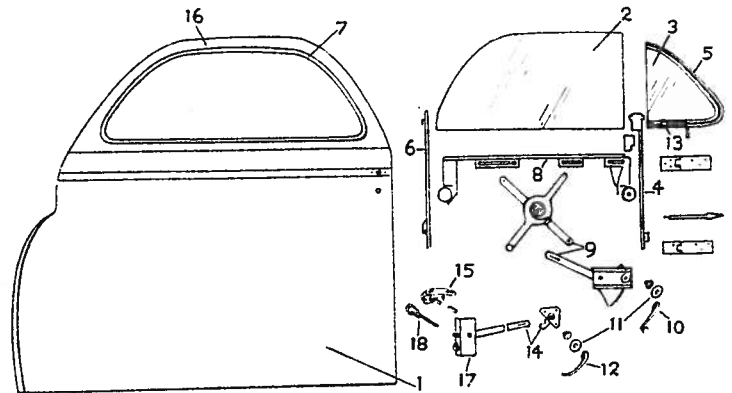
2 Door

FRONT DOOR ASSEMBLY

This list applies to Body Styles.

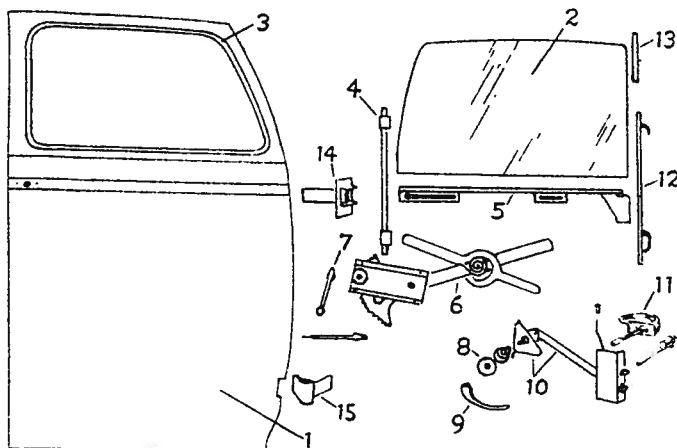
1946-D24-4 D. Twn. Sd., 2 D, 1 cp. Cv. cp. C. cp., 1 Sdn., Limo.
 1947-D24-4 D. T. Sd., 2 D. 3 cp., Cv. cp., C. cp., 7 St. Limo.
 1948-D24-4 D. T. Sd., 2 D. 3 cp. Cv. cp., C. cp., 7 Std. Limo.

Item Part No.	Description	Price	Item Part No.	Description	Price
1 1163439	Door, L., 4 d. assy.	46.00	8 1162280	Chan. roller, tw. sdn.	2.80
1 1163441	Door, L., tw. sdn. assy.	48.90	8 1152252	Channel, roller, 2 d.	2.15
1 1163443	Door, L., assy., 2 d.	48.90	8 1152284	Channel, roller, 3 cp., C. cp.	2.75
1 1163445	Door, L., assy., 3 cp., C. cp.	48.90	8 944763	Channel, roller, cv. cp.	3.30
2 849005	Glass, 4 d., S.	P.O.A.	9 892760	Regulator, tw. sdn., L.	3.00
2 848611	Glass, 4 d., C.	P.O.A.	9 1154027	Regulator, 3 cp., C. cp., 2 d.	2.45
2 892232	Glass, tw. sdn.	P.O.A.	9 1154124	Regulator, 4 d.	1.90
2 892224	Glass, 2 d.	P.O.A.	10 1156245	Handle, reg.	1.45
2 902411	Glass, 3 cp., C. cp.	P.O.A.	11 1156247	Escutcheon	.60
2 894327	Glass, cv. cp.	P.O.A.	12 981381	Handle, rem. cont.	1.00
3 892435	Glass, vent, ex. cv. cp.	P.O.A.	13 893669	Handle, vent., ex. cv.	.60
3 894939	Glass, vent, cv. cp.	P.O.A.	13 895030	Handle, vent., cv.	.70
4 1152264	Bar, div., L.	2.30	14 945955	Control, remote, L.	.65
5 977233	Wthstp., vent, ex. cv.	1.15	15 1161295	Handle, out. L., 4 d.	2.50
5 894690	Wthstp., vent, cv.	2.25	15 1161297	Handle, out. L., tw. sdn.	2.50
5 1161035	Wthstp., pillar	.90	15 1161301	Handle, out. L., 2 d.	2.50
6 1151805	Channel, 4 d. tw. sdn., L.	1.00	15 1161305	Handle, out. L., 3 cp., C. cp.	2.50
6 1151813	Channel, 2 d., L.	.80	15 1161307	Handle, out. L., cv.	2.60
6 1151819	Channel, 3 cp., C. cp., L.	.80	16 1152767	Mold., 4 d., L.	9.75
7 944157	Channel, 4 d., L.	.80	16 1152797	Mold., 4 d., spec., L.	8.35
7 977157	Channel, tw. sdn., L.	.85	16 1162263	Mold., tw. sdn., L.	9.75
7 944106	Channel, 2 d., L.	.80	16 1162297	Mold., tw. sdn., spec., L.	12.50
7 1151821	Channel, 3 cp., C. cp., L.	1.25			
7 977007	Channel, cv. cp., L.	3.75			
8 1152244	Channel, roller, 4 d.	1.85			



Coupe

Item Part No.	Description	Price	Item Part No.	Description	Price
16 1152830	Mold., 2 d., S., L.	11.75	17 945897	Lock, 2 d., L.	2.45
16 1152858	Mold., 2 d. C., L.	12.25	17 978943	Lock, 3 cp., C. cp., L.	2.45
16 1152898	Mold., 3 cp. C. cp. S., L.	11.75	17 945913	Lock, cv. cp., L.	2.60
16 1152926	Mold., C. cp., L.	12.25	18 992586	Cyl. lock (B P ser.)	1.65
16 1152607	Mold., cv. cp., L.	12.95	19 1151853	Hinge, L. up., ex. cv.	1.75
17 945893	Lock, 4 d., L.	2.45	19 1155205	Hinge, L. low., cv.	1.75
17 945895	Lock, tw. sdn., L.	2.45			

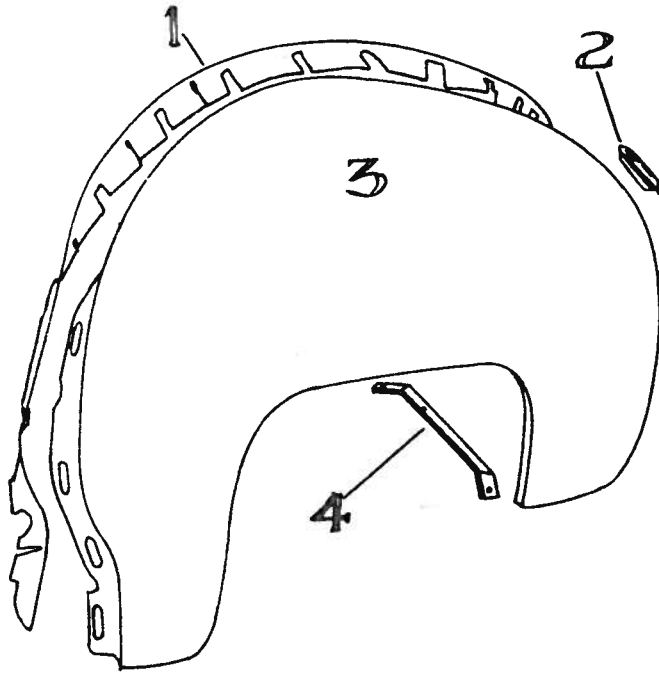


REAR DOOR ASSEMBLY

Item Part No.	Description	Price	Item Part No.	Description	Price
1 976899	Door assy., L., 4 d.	34.50	7 1156245	Handle, all, spec., L.	1.45
1 976901	Door assy., L., tw. sdn.	37.40	8 1156247	Escutcheon	.60
1 976903	Dr. assy., L., 7 sdn.	37.40	9 987347	Handle, R.C., 4 d., tw. sdn., 7 sdn., L.	1.00
1 976905	Dr. assy., L., limo.	37.40	10 893058	R. control, L., 4 d.	.70
2 848690	Glass, 4 d, 24S, L.	P.O.A.	11 1161295	Handle, out, 4 d., L.	2.50
2 848647	Glass, 4 d., 24C, L.	P.O.A.	11 1161299	Handle, out., tw. sdn.	2.30
2 892240	Glass, tw. sdn., L.	P.O.A.	12 1162738	Mold., 4 d., 24S, L.	5.75
2 892248	Glass, 7 sdn., limo., L.	P.O.A.	12 1152781	Mold., 4 d., 24C, L.	6.35
3 1162445	Wthstp., pillar, tw. sdn., L.	3.55	12 1152805	Mold., 4 d., spec., L.	6.35
3 945779	Wthstp., pillar, 4 d., L.	1.50	12 1162283	Mold., tw. sdn., L.	11.25
3 945771	Wthstp., pillar, cv., L.	.85	12 1162309	Mold., tw. sdn., L.	11.25
4 977155	Chan., 4 d., L.	.80	12 1152952	Mold., 7 sdn., limo., L.	10.50
4 976777	Chan., tw. sdn., L.	.80	13 1151940	Mold., 7 sdn., limo., L.	1.40
4 944245	Chan., 7 sdn., limo., L.	.80	13 1151935	Mold., 4 d., L.	1.05
5 944613	Chan., roller, 4 d., L.	2.50	13 1154845	Mold., tw. sdn., L.	1.40
5 944743	Chan., roller, tw. sdn., L.	2.00	13 1151941	Mold., 7 sdn., limo., L.	1.40
5 944669	Chan., roller, 7 sdn., limo., L.	.40	14 892286	Hinge assy., up. L., 4 d., 7 sdn.	1.75
6 1154124	Regulator, 4 d., 7 sdn., limo., L.	3.15	14 944124	Hinge assy., up. L., tw. sdn.	1.45
6 892760	Regulator, tw. sdn., L.	2.30	15 944149	Hinge, low. L. (body half), 4 d., 7 sdn.	.60
7 1154476	Handle, 4 d., 2 d., 3 cp., C. cp., L.	1.45	15 944151	Hinge, low. L. (door half), 4 d., 7 sdn.	.75

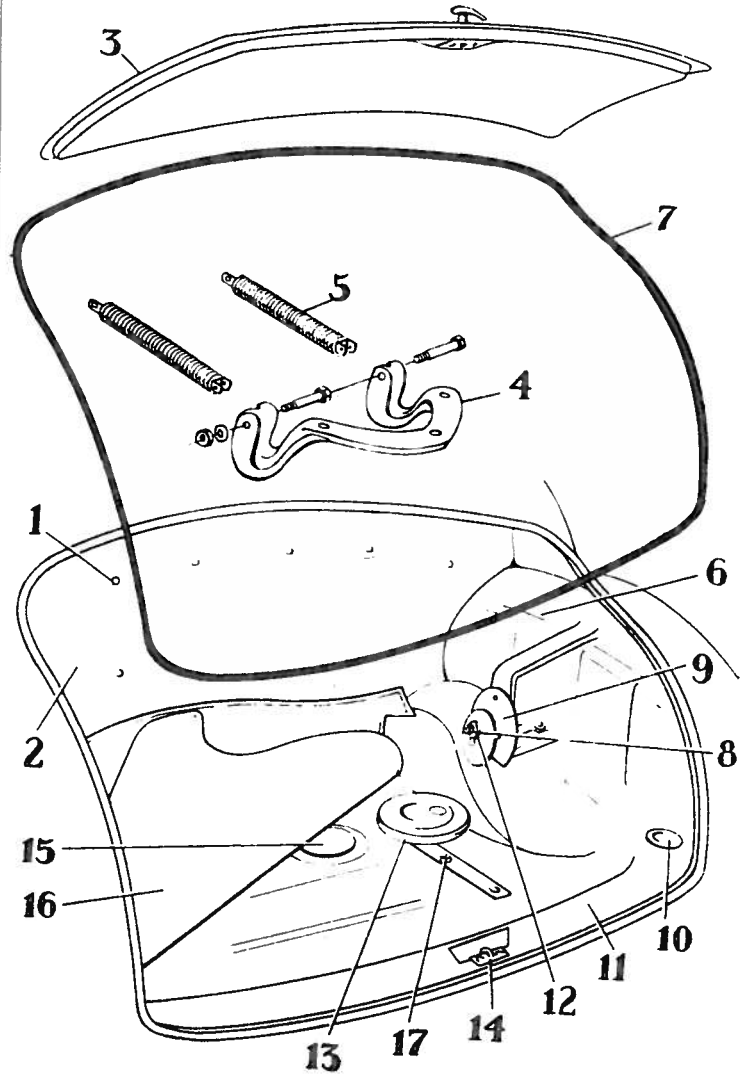
BODY PARTS 1946 to 1948 DODGE

Series D24. ALL BODY STYLES



REAR FENDER ASSEMBLY

Item Part No.	Description	Price	Item Part No.	Description	Price
1 996817	Welt	1.75	4 981106	Brace, ex. 3 cp. & c.c., L.	.35
2 657625	Cover	.30	4 981110	Brace, L. (3 cp. & c.c.)	.35
3 1148642	Fender, L.	13.50			



Deck Lid

Item Part No.	Description	Price	Item Part No.	Description	Price
1 910752	Fastener	2.30	14 849065	Plate	.30
2 905506	Panel	2.50	15 874920	Seal	.06
3 1154095	Lid assy.	27.50	16 890898	Mat	4.00
4 893223	Hinge	1.30			
5 894380	Prop. assy.	1.30			
6	See Qtr. Panel No. 12				
7 892305	Wthstp.	3.25			
8 124180	Bolt	.10			
9 866896	Plate, ex. 7 sd., lmo.	.40			
9 866897	Plate, 7 sd., lmo.	.50			
10 867711	Cover	.15			
11 942885	Panel	5.70			
12 866898	Washer	.30			
13 1117383	Cap. ex. 7 sd.	2.35			
13 1117384	Cap. 7 sd.	2.35			
14 849065	Plate	.30			
15 874920	Seal	.06			
16 890898	Mat	4.00			

4 DOOR SEDANS

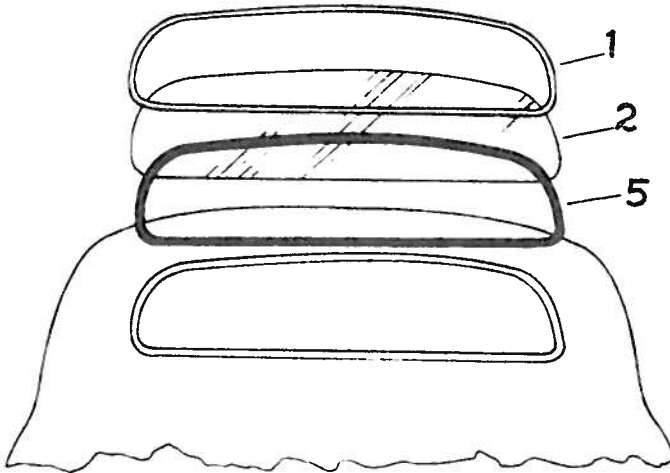
Item Part No.	Description	Price
1 910752	Fastener	2.30
2 905506	Panel	2.50
3 1154095	Lid assy.	27.50
4 893223	Hinge	1.30
5 894380	Prop. assy.	1.30
6	See Qtr. Panel No. 12	
7 892305	Wthstp.	3.25
8 124180	Bolt	.10
9 866896	Plate, ex. 7 sd., lmo.	.40
9 866897	Plate, 7 sd., lmo.	.50
10 867711	Cover	.15
11 942885	Panel	5.70
12 866898	Washer	.30
13 1117383	Cap. ex. 7 sd.	2.35
13 1117384	Cap. 7 sd.	2.35
14 849065	Plate	.30
15 874920	Seal	.06
16 890898	Mat	4.00

2 DOOR SEDANS

Item Part No.	Description	Price
1 910752	Fastener	.03
2 905506	Panel	1.75
3 1154095	Lid assy.	27.50
4 893223	Hinge	1.30
5 894380	Prop. assy.	1.75
6	See Qtr. Panel No. 12	
7 892305	Wthstp.	2.60
8 124180	Bolt	.10
9 866896	Plate	.40
10 867711	Cover	.15
11 942885	Panel	5.70
12 866898	Washer	.30
13 1117383	Cap	2.35

COUPES AND CONVERTIBLES

Item Part No.	Description	Price
1 910752	Fastener, ex. 3 cp.	2.30
2 905485	Panel, 3 cp., front.	2.00
2 830056	Panel, C. cp., front	2.50
2 935455	Panel, cv. cp., front	.30
3 1154407	Lid assy., 3 cp.	32.80
3 1154412	Lid assy., C. cp.	32.80
3 1154417	Lid assy., cv. cp.	33.95
4 903900	Hinge, 3 cp.	1.45
4 901963	Hinge, C. cp.	1.15
4 893882	Hinge, cv. cp.	2.30
6	See Qtr. Panel No. 12	
7 905051	Wthstp., 3 cp.	2.75
7 905050	Wthstp., C. cp.	3.25
7 895864	Wthstp., cv. cp.	3.75
8 124180	Bolt	.10
9 895611	Plate, cv. cp.	.85
9 866896	Plate	.40
10 867711	Cover, ex. cv. cp.	.15
10 858566	Cover cv. cp., bolt 5	.10
10 867711	Cover cv. cp., bolt 6	.15
11 941254	Panel, 3 cp. C. cp.	5.70
11 977597	Panel, cv. cp.	5.70
12 866898	Washer	.30
13 1117383	Cap	2.35
14 1160000	Plate, all cps.	1.15
15 874920	Seal	.06
16 984907	Mat, 3 cp.	8.65
16 906817	Mat, C. cp.	6.75
16 896273	Mat, cv. cp.	6.75

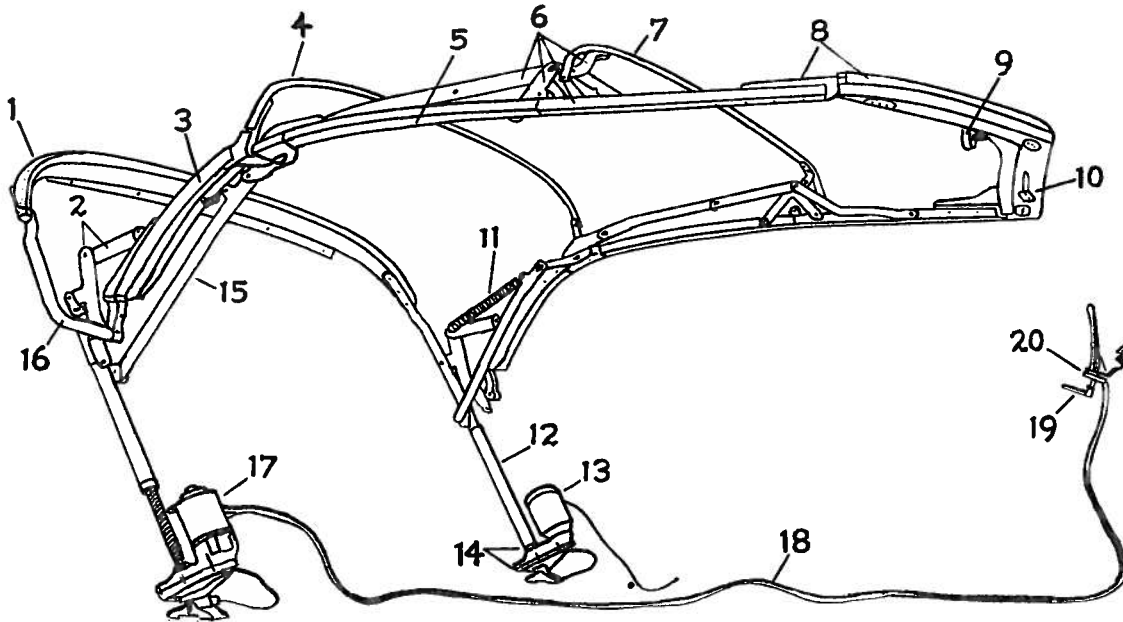


REAR WINDOW ASSEMBLY

Item Part No.	Description	Price	Item Part No.	Description	Price
1 892546	Mold, out., 4 d., 2 d., 7 sd. & sd.	2.30	2 744724	Glass, cv. cp.	P.O.A.
1 905379	Mold, out., club cp.	2.60	5 894683	Wthstp., 4 d., T. sd., 2 d.	2.00
1 905378	Mold, out., 3 cp.	2.70	5 892570	Wthstp., 4 d., T. sd., 2 d., 7 sdn.	2.75
2 892195	Glass, 4 d., tw. sd., 2 d., 7 sdn.	P.O.A.	5 908505	Wthstp., 3 cp.	3.25
2 901819	Glass, 3 cp.	P.O.A.	5 934683	Wthstp., club cp.	2.75
2 901818	Glass, club cp.	P.O.A.			

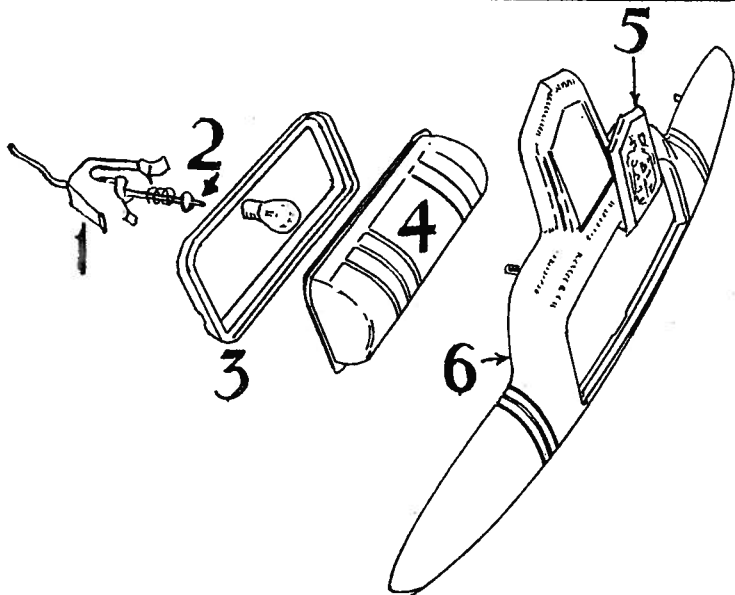
DODGE 1946 to 1948 BODY PARTS

Series D24. ALL BODY STYLES



FOLDING TOP ASSEMBLY

Item Part No.	Description	Price	Item Part No.	Description	Price	Item Part No.	Description	Price	Item Part No.	Description	Price
1	893224—Bow, rear	6.90	6	945387—Arm & link, L.	7.20	10	893818—Dowel, L.	1.30	15	977419—Arm assy., L.	2.6
2	946473—Link assy., L.	4.45	7	945534—Bow, No. 1, front	4.30	11	896644—Spring	1.10	16	893268—Arm assy., L.	1.8
3	948537—Pillar assy., L.	20.00	8	976879—Header	34.50	12	869571—Boot	.80	17	1233808—Motor assy.	20.0
4	945514—Bow, No. 2, center	6.50	9	893805—Knob	1.55	13	934460—Seal	.65	18	1157916—Wiring assy.	5.7
5	945539—Rail, L.	25.00	10	893816—Dowel, center	1.30	14	869328—Lift	24.50	19	975397—Lever assy.	2.6
									20	911533—Switch assy.	2.6

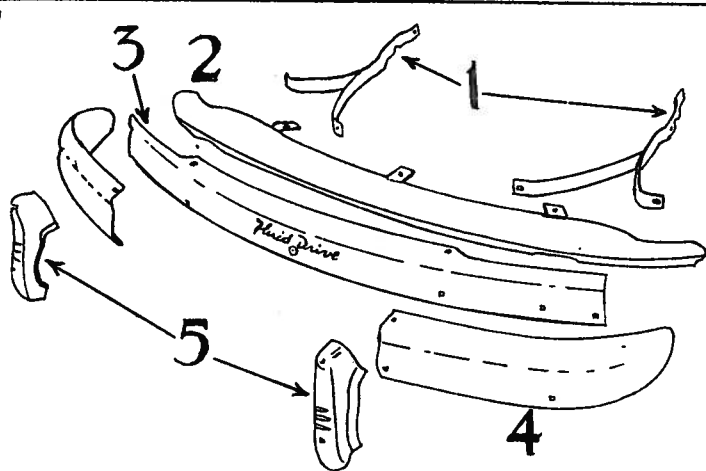


STOP LIGHT

Item Part No.	Description	Price	Item Part No.	Description	Price
1	902592—Socket, ex. all opes.	.40	2	1157946—Wiring assy., C. cpe.	2.10
1	857420—Socket, all cpes.	1.85	3	1148670—Gasket	.45
2	1163640—Wiring assy., ex. cpes.	1.85	4	1148869—Lens	1.15
2	1159937—Wiring assy., 3 cpe.	1.85	5	1148868—Medallion	2.00
2	1157905—Wiring assy., cv. cpe.	2.10	6	1148867—Shell, ex. cpes.	6.05
			6	1148874—Shell, cpes.	6.05

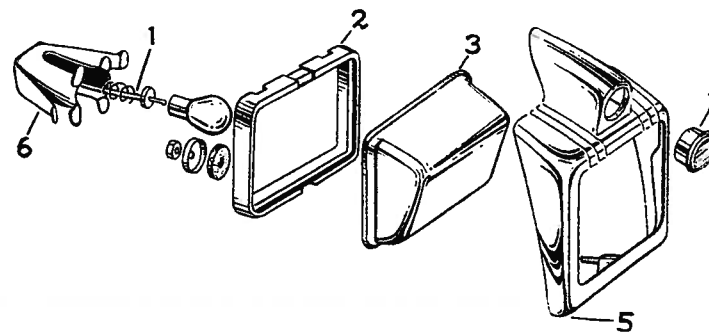
REAR LAMP ASSEMBLY

Item Part No.	Description	Price	Item Part No.	Description	Price
1	1157945—Cable w/socket	1.35	3	1161531—Lens, 3 cpe., C. cpe., cv. cpe.	.85
2	1149360—Gasket, 4 d. T. sdn., 2 d.	.45	4	1183007—Unit, button	.30
2	1161532—Gasket, 3 cpe., C. cpe., cv. cpe.	.45	5	1149364—Body, L., ex., all cpes.	2.90
3	1149368—Lens, 4 d. T. sdn., 2 d. 7 sdn., L.	.85	5	1161529—Body, L., all cpes.	2.90
			6	902592—Socket	.40



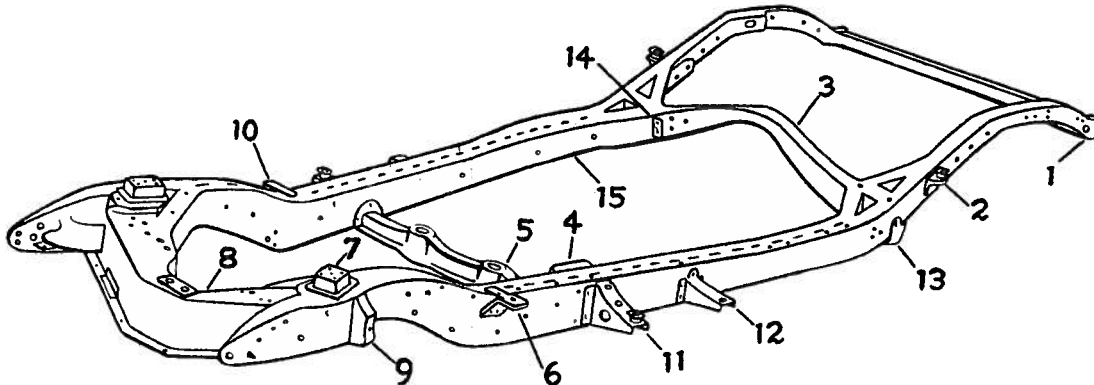
REAR OF CAR REAR BUMPER ASSEMBLY

Item Part No.	Description	Price	Item Part No.	Description	Price
1	1124004—Support, L.	4.25	4	1124394—End plate	6.0
2	1233135—Deflector	4.90	5	954689—Buffer plate	3.0
3	954761—Bar, face	14.95			



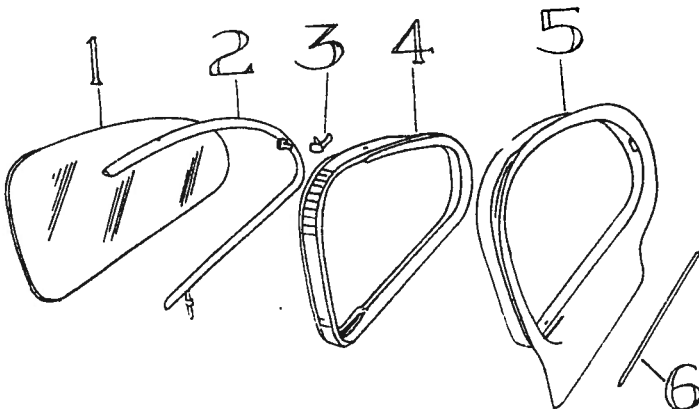
BODY PARTS 1946 to 1948 DODGE

Series D24. ALL BODY STYLES



FRAME ASSEMBLY

Item Part No.	Description	Price	Item Part No.	Description	Price	Item Part No.	Description	Price
1 862899	Hanger, L.	1.00	5 952365	Crossmember, ex. 7 sdn.	4.30	8 959346	Crossmember	17.25
2 868031	Bracket	.15	5 952913	Crossmember, F. D., ex. 7 sdn.	4.30	9 864372	Bracket, L.	.60
3 864337	Crossmember, ex. 7 sdn., limo.	5.50	6 954600	Crossmember, F. D., 7 sdn.	5.45	10 952948	Bracket, ex. cv. cp.	2.00
4 952369	Bracket, ex. cv. cp., 7 sdn.	1.28	6 864372	Bracket	.60	11 953075	Bracket, 4 d., L.	1.00
4 952906	Bracket, fluid dr., ex. cv. cp.	1.00	7 856177	Support, L.	.75	12 952941	Bracket	1.00
						13 863322	Hanger, L.	1.40
						14 865599	Bracket, ex. cv. cp.	.38
						14 867712	Bracket, cv. cp.	.60
						15 952360	Frame assy., less F. D., ex. cv.	74.75
						15 953070	Frame (with F. D.), 7 std. cv. cp.	74.75
						15 954724	Frame (with F. D.), cv. cp.	126.50
						15 954730	Frame (with F. D.), 7 std., limo.	126.50



REAR QUARTER WINDOW

This list applies to Body Styles

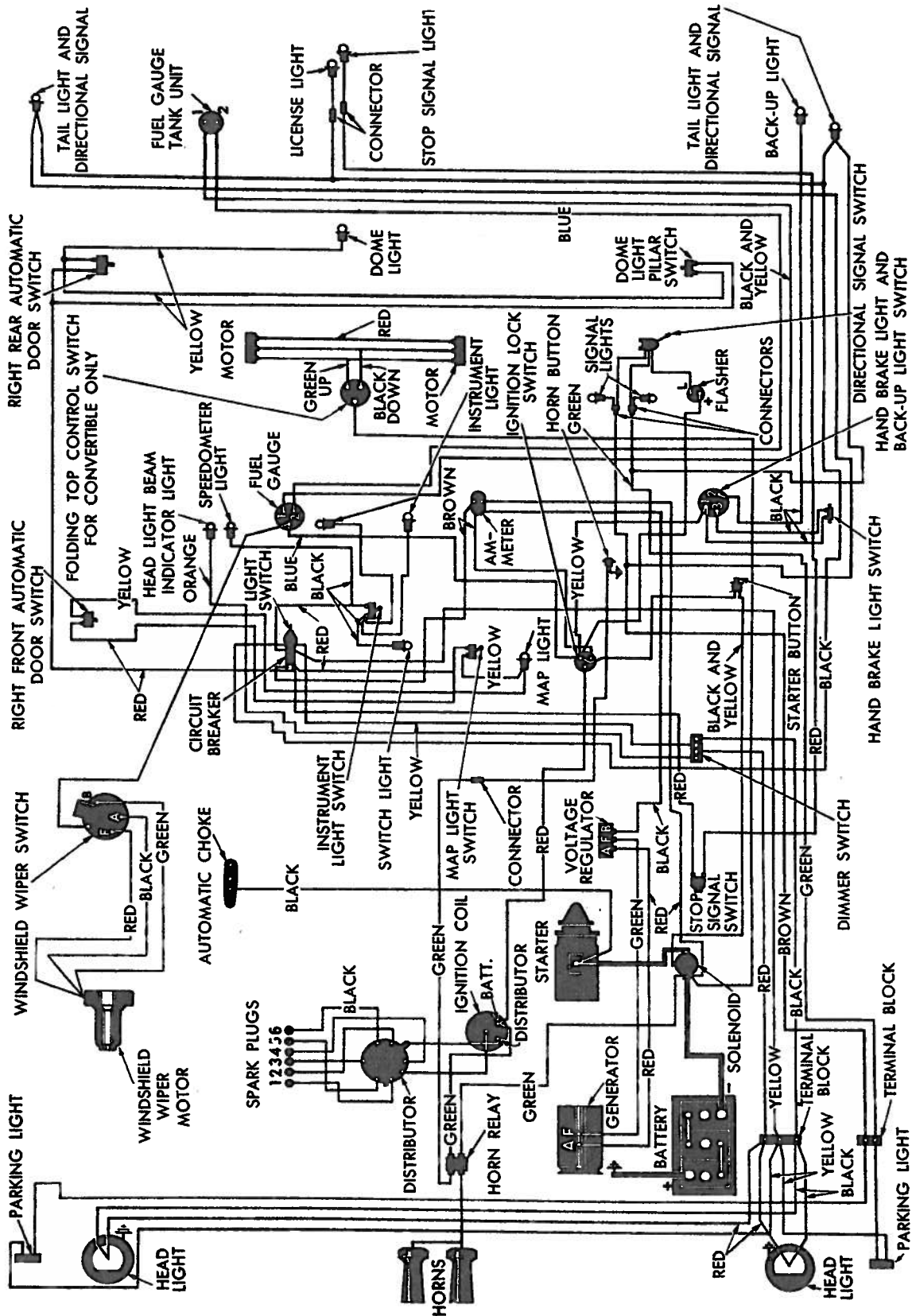
1946—D24—4D-2D—Town Sd.—Conv. 3 cp. & C.C. 7 Sd.
 1947—D24—4D-2D—Town Sd.—Conv. 3 cp. & C.C. 7 Sd.
 1948—D24—4D-2D—Town Sd.—Cv. cp. 3 cp. & C.C. 1 Std.

Item Part No.	Description	Price	Item Part No.	Description	Price
1 892436	Glass, D24, 4d.	P.O.A.	5 1152813	Mold., D24, 4 d., spec.	7.75
1 977311	Glass, D24S, 2 d.	P.O.A.	5 1152842	Mold., D24S, 2 d.	7.20
1 892401	Glass, D24C, 2 d.	P.O.A.	5 1152910	Mold., D24S, C. cpe.	7.20
1 901817	Glass, D24, C. cpe.	P.O.A.	5 1152942	Mold., D24C, C. cpe.	5.75
1 893355	Glass, D24C, cv. cpe.	P.O.A.	6 895315	Mold., D24C, cv. cpe.	8.65
2 892869	Frame, D24, 4 d.	3.30	6 893366	Ornament, 4 d.	.30
3 893671	Handle, L., 4 d.	.60	6 893367	Ornament, 2 d.	.40
4 893350	Wthrstrp., up. cv. cpe.	.50	6 1152626	Ornament, 2 d. C. cpe.	1.30
4 893351	Wthrstrp., low. cv. cpe.	.30	6 908506	Ornament, C. cpe.	.35
5 1152748	Mold., 4 d., D24.	7.75			



DODGE 1946 to 1948 WIRING

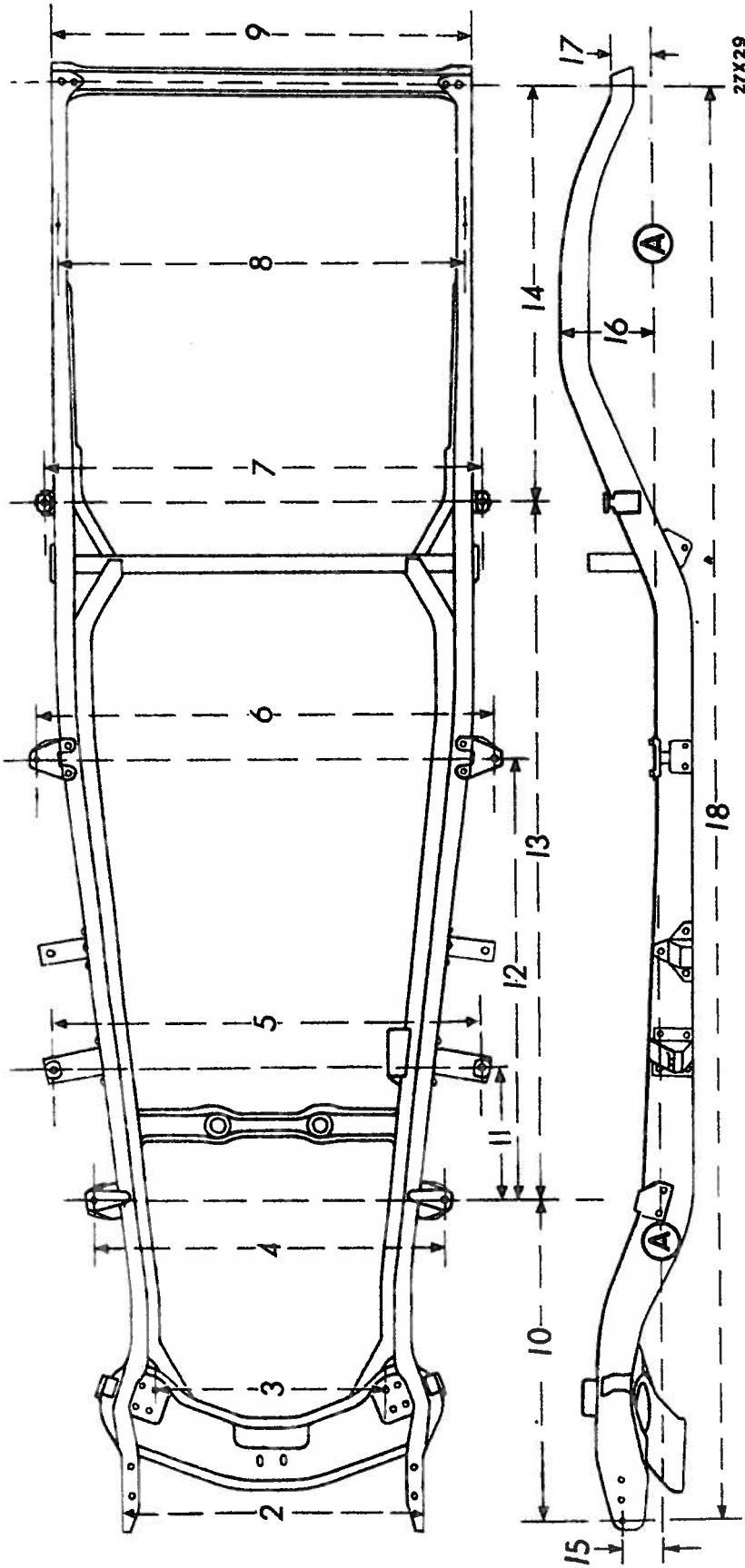
Series D24. ALL BODY STYLES



Wiring Diagram (DeLuxe and Custom Models)

WIRING 1946 to 1948 DODGE

Series D24. ALL BODY STYLES



Frame Alignment (Dimensions given in inches)
A—Top Line of Frame

	2	3	4	5	6	7	8	9	10	11	12	13	14	15	16	17	18
D24.....	34	26 ²⁵ / ₃₂	40 ¹⁷ / ₃₂	50 ³ / ₄	52 ¹¹ / ₁₆	50 ¹ / ₂	48 ¹ / ₄	38 ³¹ / ₃₂	152 ⁹ / ₃₂	51 ⁵⁹ / ₆₄	81 ²⁹ / ₃₂	48 ⁷ / ₈	32 ⁹ / ₃₂	10 ¹³ / ₁₆	4 ⁷ / ₈	16 ⁹ / ₈
D24 two-door.....	34	28 ²⁵ / ₃₂	40 ¹⁷ / ₃₂	50 ³ / ₄	53 ⁷ / ₈	50 ¹ / ₂	48 ¹ / ₄	38 ³¹ / ₃₂	152 ⁹ / ₃₂	60 ³¹ / ₃₂	81 ²⁹ / ₃₂	48 ⁷ / ₈	32 ⁹ / ₃₂	10 ¹³ / ₁₆	4 ⁷ / ₈	16 ⁹ / ₈

DODGE 1946 to 1948 FRAME

Series D24. 7 PASSENGER STYLE

Frame checking dimensions for the 7 passenger model

