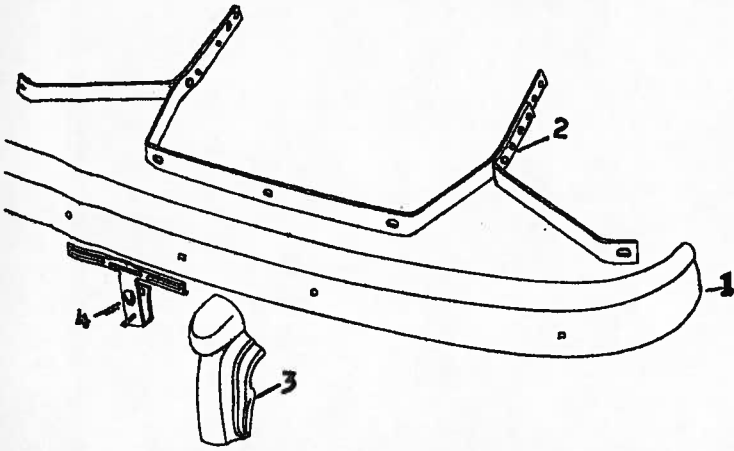


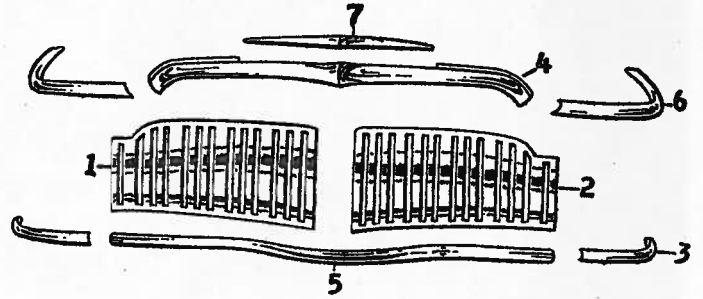
DE SOTO 1949 BODY PARTS

Model S13. ALL BODY STYLES



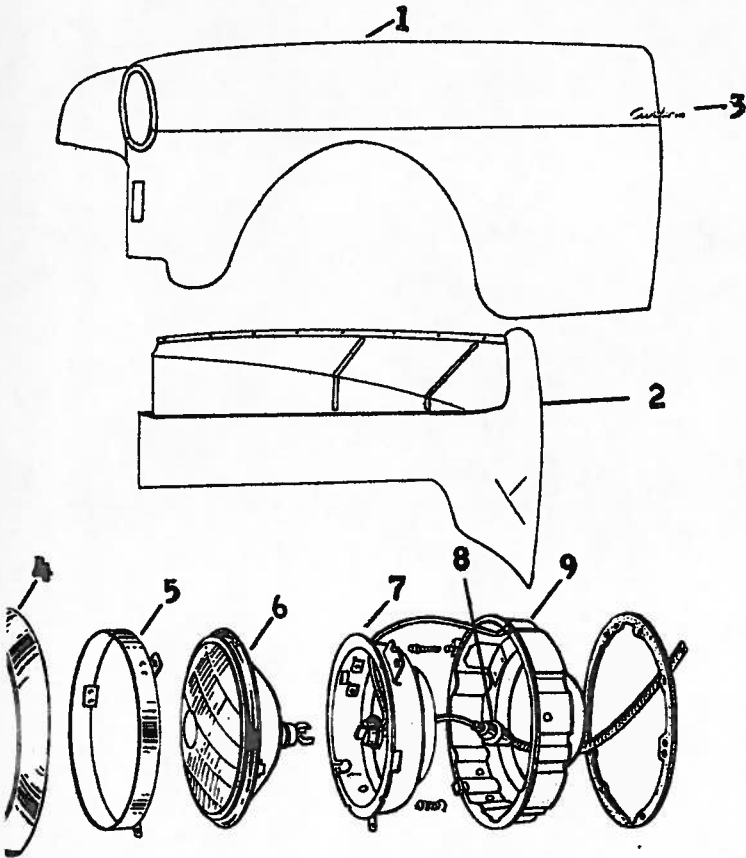
FRONT BUMPER

Item Part No.	Description	Price	Item Part No.	Description	Price
1	1187839—Bar, face	32.75	4	1140124—License bracket assy.
2	1187842—Support assy.	10.75			
3	1142188—Guard, L.	6.25			



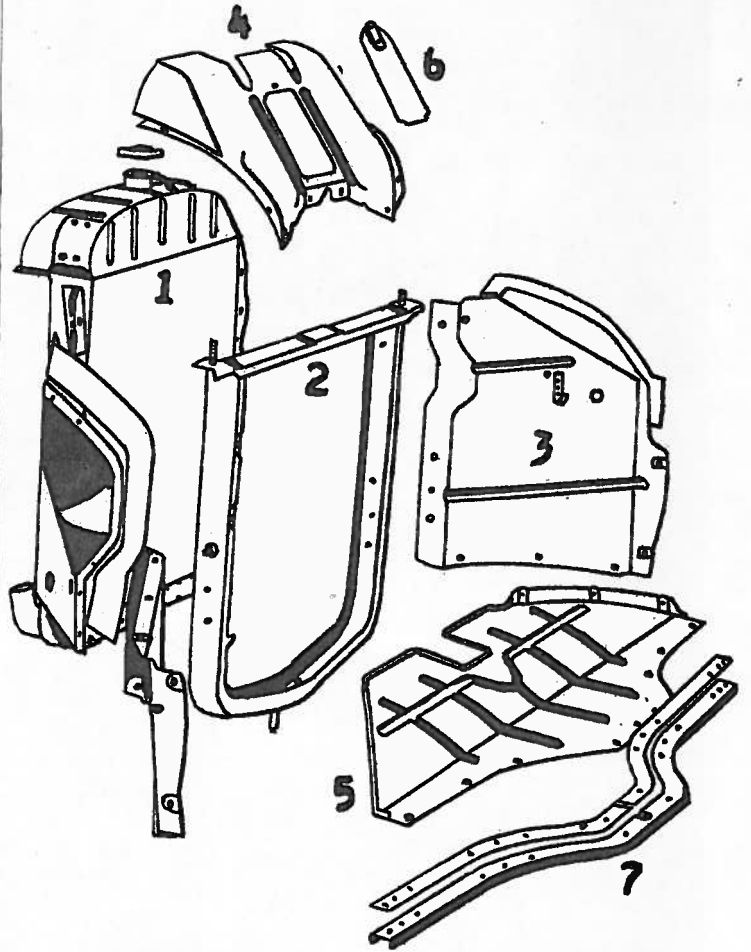
GRILLE ASSEMBLY

Item Part No.	Description	Price	Item Part No.	Description	Price
1	1258459—Grille, R.	22.25	5	1244173—Grille molding, ctr.	6.71
2	1258454—Grille, L.	22.25	6	1244172—Grille molding, up. out. L.	5.21
3	1307830—Grille molding, low. L.	5.20	7	1240585—Molding, hood front	.61
4	1241498—Center bar	2.65			



FRONT FENDER, LEFT

Item Part No.	Description	Price	Item Part No.	Description	Price
1	1241835—Fender, left	33.50	8	1297667—Unit assy.	1.30
2	1139140—Shield assy., L.	11.85	7	946940—Seat assy.	1.55
	1139114—Shield, upper, R.	6.50	8	1146884—Cable W/Socket, L.	10.50
	1139141—Shield, lower, R.	5.25	9	1184200—Shell	2.80
	1242974—Anti-squeak	1.85			
3	1244365—Name plate (D.L.)	.95	1253460	Dimmer switch	1.40
3	1244364—Name plate (Custom)	1.00		Indicator
	1149285—Name plate (front)	1.45		Body indicator
4	1239411—Headlamp door		Bushing
5	946942—Ring	1.55		Spring
				Socket

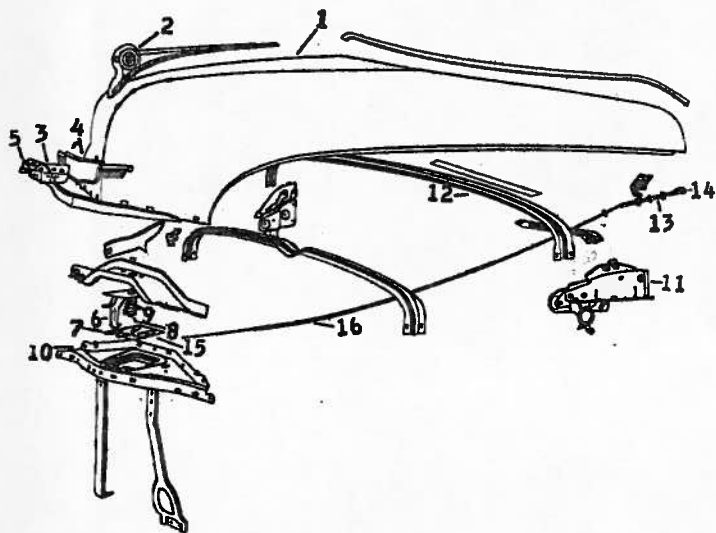


RADIATOR CORE & AIR SHIELDS

Item Part No.	Description	Price	Item Part No.	Description	Price
	1241886—Deflector	6.50	4	1241320—Shield, upper	3.50
1	1239500—Radiator core	73.30	5	1241357—Shield, front	3.30
1	1244487—Core, high altitude	79.05	6	1240288—Hand hole cover	.40
2	1235388—Core support	6.75	7	1241348—Cross bar	3.90
3	1242960—Shield, black, L.	3.50			

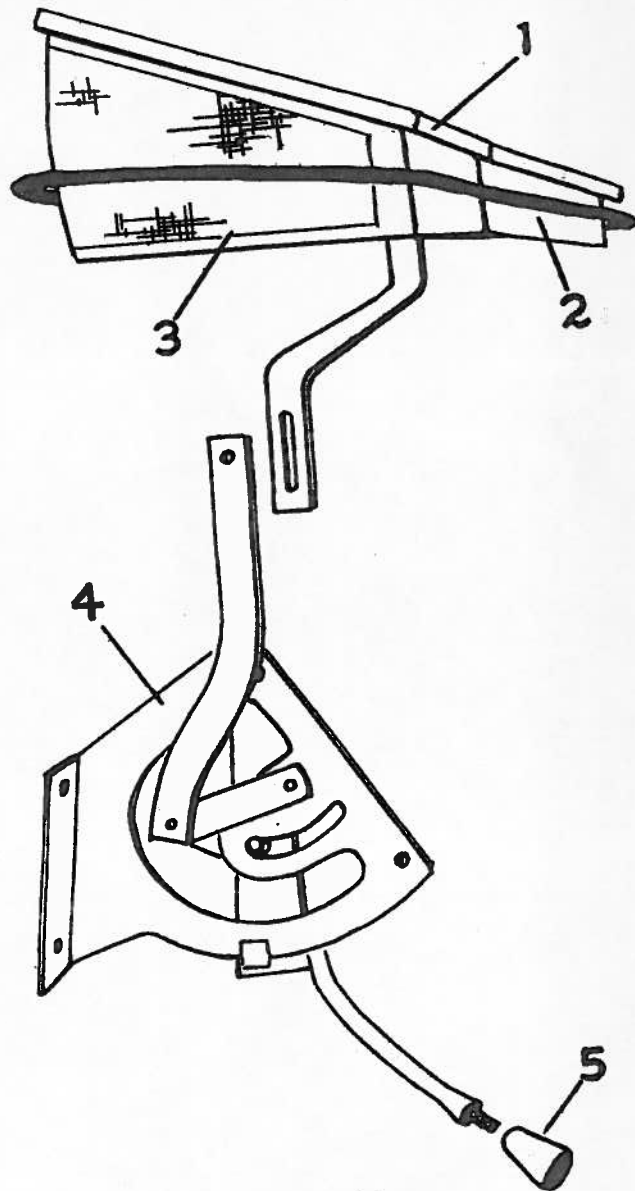
BODY PARTS 1949 DE SOTO

Model S13. ALL BODY STYLES



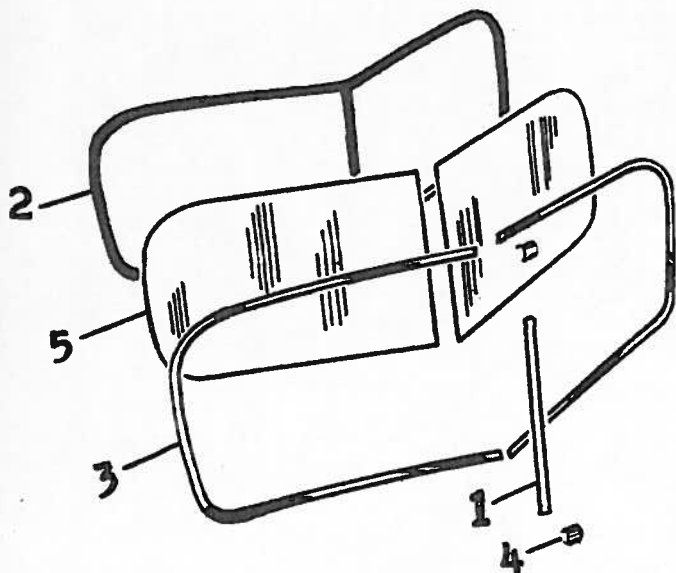
HOOD ASSEMBLY

Item	Part No.	Description	Price	Item	Part No.	Description	Price
1	1241701	Hood panel	47.50	9	1254770	Spring	.15
2	1253378	Ornament	12.25	10	1241295	Bracket, support	1.55
3	1252675	Medallion	2.90	11	906082	Spring	.10
4	1252677	Base	2.25	12	1256118	Hinge, L.	5.45
5	1252683	Emblem	.45	12	1254509	Strainer panel	2.05
6	770024	Bumper	3.45	13	1300619	Housing	3.65
7	997195	Safety catch	.50	14	1253498	Knob wire	1.75
8	1240227	Catch bolt	.35	15	932143	Stop	.10
9	1239994	Lock, upper, shaft	1.65	16	611811	Sieve	.15
10	1240225	Lock, lower	1.55				
11	906061	Striker	.10				



COWL VENTILATOR ALL MODELS

Item	Part No.	Description	Price	Item	Part No.	Description	Price
1	1243924	Cowl vent.	3.75	4	1299568	Support	1.75
2	1245657	Weatherstrip	.85	5	1296750	Knob	.85
3	1243430	Screen	1.30				

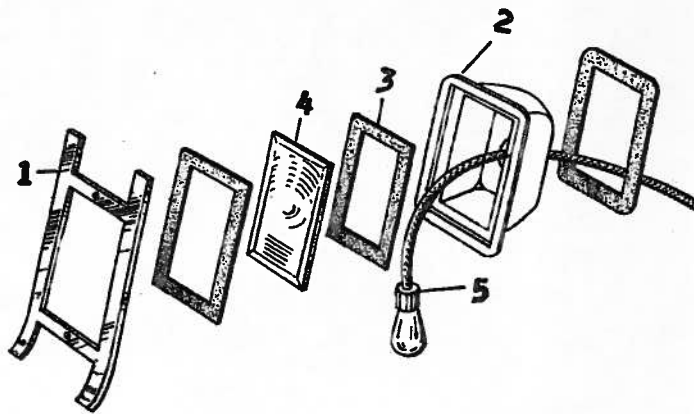


WINDSHIELD 4-DOOR SEDANS

Item	Part No.	Description	Price
1	1243904	Bar	2.50
2	1254291	Molding	1.75
3	1243579	Glass	P.O.A.
4	895449	Clip, joint	1.15
5	1244089	Weatherstrip	3.95
	1296596	Mirror	1.85

PARKING & DIRECTIONAL LAMPS

Item	Part No.	Description	Price
1	1244517	Bezel	2.65
2	1244512	Retainer or housing	1.40
3	1244519	Gasket	.25
4	1244515	Lens	.70
	1235606	Switch	1.75
	1297644	Lever & knob	1.60
		Socket bracket
5	1241139	Socket assy.	1.35
		Grille outer, left

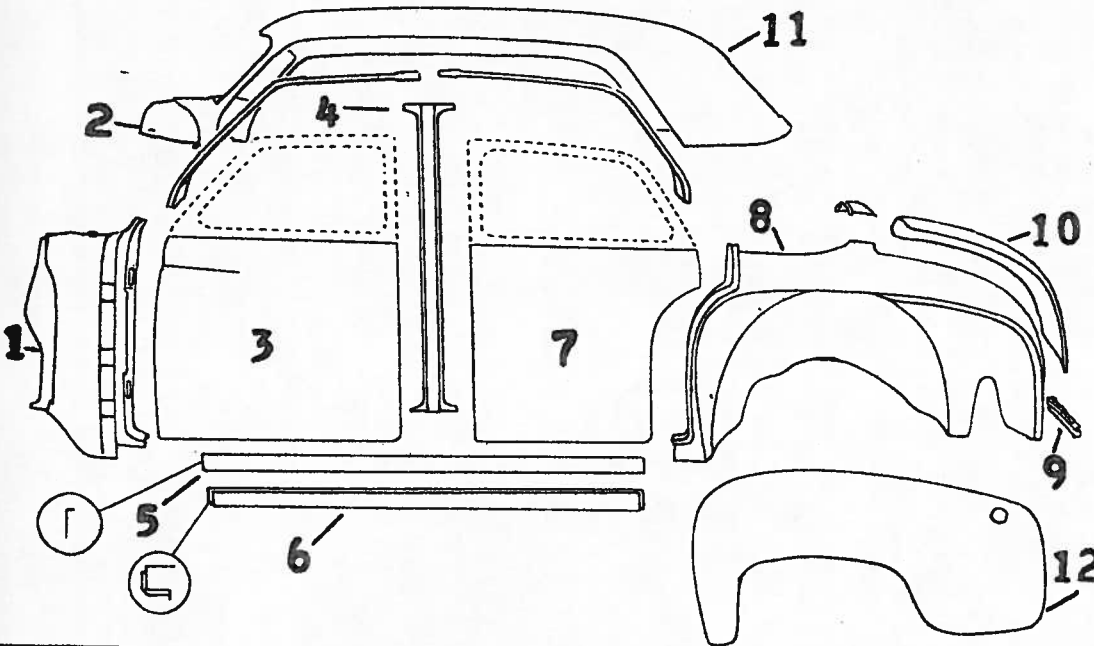
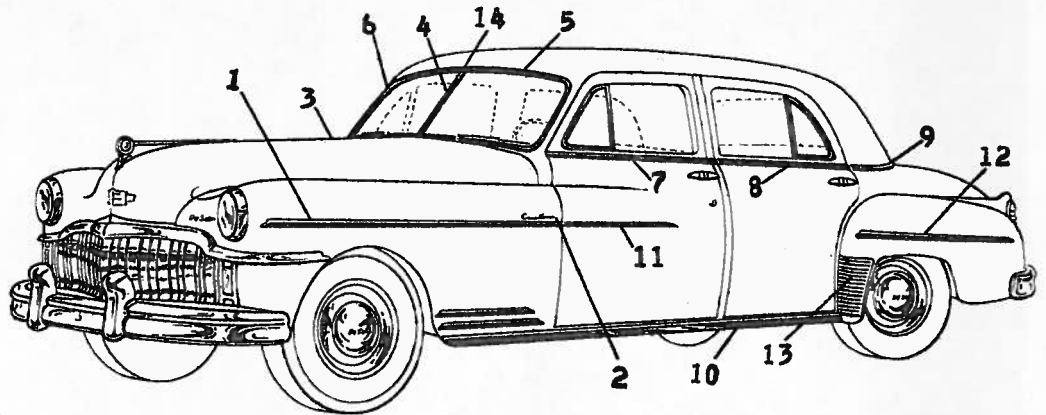


DE SOTO 1949 BODY PARTS

Model S13. ALL BODY STYLES

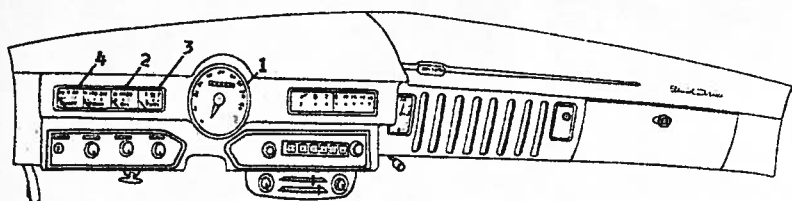
CAR BODY MOLDINGS 4-DOOR SEDANS

Item	Part No.	Description	Price
1	1244170	Fender molding ...	8.75
2	1244365	Name plate (DL.)	.95
2	1244364	Name pit. (custom)	1.00
3	1240685	Mldg., hood, front	2.80
4	1243904	Wdash. bar midg.	3.25
5	1255330	Mldg., L. W/S, OS.	2.85
6	1244038	Weatherstrip, W/S	3.85
7	1255166	Mldg. frt. dr., 4-D	2.25
8	1255165	Mldg., rear dr., 4-D	2.25
9	1255171	Mldg. qtr. panel belt	...
10	1306831	Molding, body sill..	10.50
11	1252245	Mldg., frt. fnd. ext.	...
12	1296006	Mldg., rear fender	3.95
13	1301080	Stone shield	6.80
14	1255331	Jnt. clip, up. W/S	.35
14	1255332	Jnt. clip, low. W/S	.35



CAR BODY SHEET METAL 4 DOOR SEDAN

Item	Part No.	Description	Price
1	1244135	Dash panel, S-13..	8.7
2	1240723	Cowl assy., S-13 ..	25.0
3	1300177	Front door	48.5
		Repair panel
4		Pillar
4	1243916	Pillar, 4-D, S-13 ..	10.5
5	1240844	Body sill, inner ..	4.7
6	1240642	Body sill, outer ..	6.2
7	1300179	Rear door	48.5
		Repair panel, 4-D
8		Quarter panel
9	1241331	Rear end panel	3.5
10	1255494	Deck lid	36.5
11	1239032	Roof assy.	57.5
12	1241216	Trough, 4-D	3.7
12	1252778	Fender, rear, L.	18.5
		1243998—Brace	4.
		1243368—Welt	1.8
12	1807571	Fender, rear, L., 7 pass. Sedan

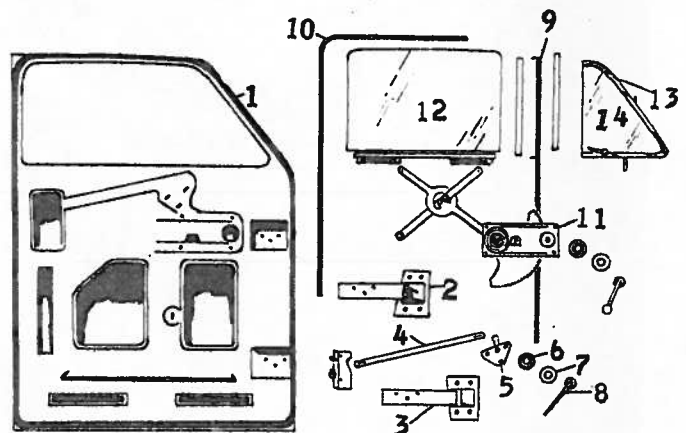


INSTRUMENT PANEL

Item	Part No.	Description	Price	Item	Part No.	Description	Price
1	1244708	Spdmtr. (miles) ..	14.95	3		Fuel gage
2	1257266	Oil gage	2.90	4		Ammeter

FRONT DOOR

Item	Part No.	Description	Price	Item	Part No.	Description	Price
1	1300177	Door, less trim, 4-D	48.50	10	1244004	Channel, rear, 4 dr.	1.15
1	1249763	Dr., less trim, conv.	57.50			1243813—Chnl., lower, 4 dr.	1.00
2	1244182	Hinge, up.	1.75			1243854—Chnl., low., 4 dr...	1.15
2		Hinge, up., 4-D town	...			1246835—Channel, low., 4 dr.	...
3	1244198	Hinge, lower	1.75			(extension run)	3.75
4	1244187	Lock link assy., 4-D Cyl. lock, S-13...	.45	11	1242640	Regulator, window, 4D, 4D town.....	4.85
5	1296889	Cntrl. assy., L., 4-D.	1.25	11	1242640	Rgitr., 4D, town...	4.85
6	945962	Spring08	12	1301007	Glass, 2 dr., 4 dr., 7 pass. limo., sub. sed....	P.O.A.
7	1152437	Escutcheon, plastic	.70	13	1243563	Vent frame, 4 dr...	1.75
8	1154153	Handle, inside ..	1.45	14	1302180	Glass, vent	P.O.A.
8	1252811	Handle, outside ...	3.25				
9	1243933	Chnl., front, 4 dr..	1.13				



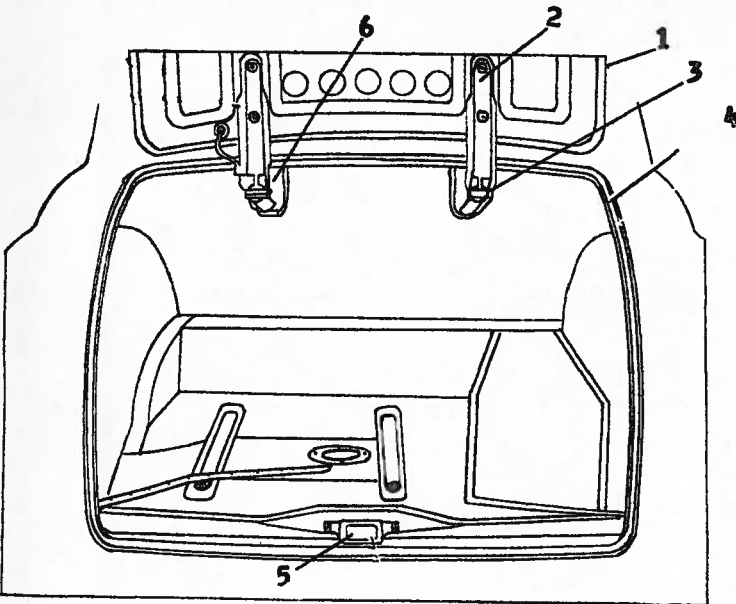
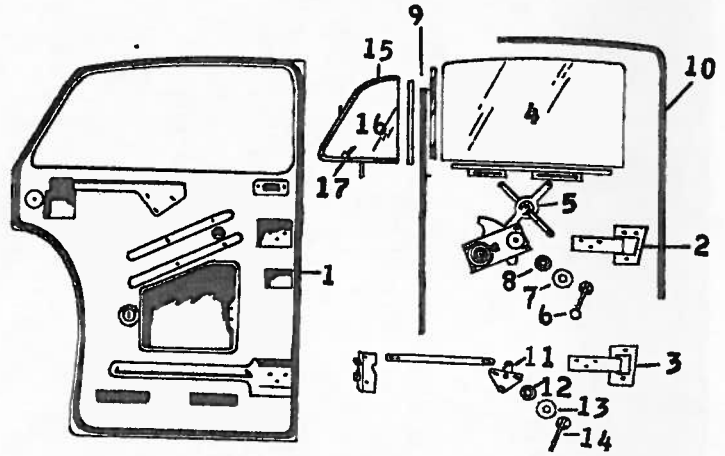
BODY PARTS 1949 DE SOTO

Model S13. ALL BODY STYLES

REAR DOOR

4 DOOR SEDANS

Item Part No.	Description	Price	Item Part No.	Description	Price
1 1300178	Door, less trim, L.	48.50	945597	Glass runs, 4 door..	1.40
2 1307513	Hinge, upper L.	.85	945423	Glass runs, 4 door	1.10
3 1307516	Hinge, lower L.	.85	Town		1.10
4 848647	Glass, 4 Dr. Sed.. P.O.A.		945845	Glass runs, 7 pass.	1.60
4 892240	Glass, 4 Dr. Town..P.O.A.		Limo., Sub. Sedan		1.60
4 848611	Glass, 4 Dr. Sedan..P.O.A.		Rear door lock con-		
4 892232	Glass, 4 Dr. Town..P.O.A.		trol, 4 door sedan		
5 1243478	Regulator, 4 Dr. 7		11 1242884	Lock Assy., 4 dr.	
pass. Limo., Sub. Sedan..	5.85		7 pass. Sub. Sedan		2.65
5 1243479	Regulator, 4 dr.		12 89796	Spring	.10
Town	5.85		13 1300149	Escutcheon,	
6 1296608	Handle, 4 dr., 4 dr.	1.60	plastic, 4 dr.		1.00
Town, 7 pass. Limo.	1.60		13 1300149	Escutcheon,	
724797	Pin	.03	plastic, 4 dr. Town		1.00
7 1300149	Escutcheon, plastic		13 1234674	Escutcheon, Sub.	
7 1256315	Escutcheon, Sub.	1.35	Sedan		1.05
8 89796	Spring	.10	13 942634	Escutcheon, Sub.	
9 1243983	Channel, front, 4	1.15	Sedan		.75
door			724797	Pin	.03
9 944245	Channel, front, 7	.80	874585	Screw	.06
pass. Limo., Sub. Sedan..	1.15		14 1154154	Handle Assy., 4 dr.	1.45
10 1244004	Channel, rear, 4 dr.	1.15	Town, 7 pass. Limo.		1.45
10 944739	Channel, rear, 4 dr.	1.00	66853	Washer	.06
Town			843885	Knob, 4 dr., 4 dr.	.15
10 976791	Channel, rear, 7	.80	Town, 7 pass. Limo.		.15
pass. Limo., Sub. Sedan..			15 1243395	Vent. frame, 4 dr.	3.45
1243813	Channel, lower, 4	1.00	Town		3.45
door			16 892271	Glass, 4 dr. Town..P.O.A.	
1246835	Channel, lower, 4	3.75	17 893669	Vent. handle, 4 dr.	.75
door Town			Town		



REAR DECK

4-DOOR SEDAN

Item Part No.	Description	Price
1 1254484	Lid Assy.	36.50
2 1241466	Hinge, S-13, 7-pass.	1.85
Limo.		.10
3 903906	Pin, S-13	.45
3 1159955	Pin, S-13, Sub.	
Sedan		
4 1244478	Weatherstrip, deck	
open		
849065	Plate	.30
1244887	Handle Assy., 7	1.80
pass. Limo., Sub. Sedan..		.15
1157650	Wedge, S-13	.06
893144	Bumper	.06
1254997	Lock	1.85
5 849065	Striker plate, S-13.	.30
1254679	Medallion, S-13	1.45
1159383	Lock check, S-13,	
Sub. Sedan		1.85
6 1242717	Spring hinge	2.05



REAR WINDOW

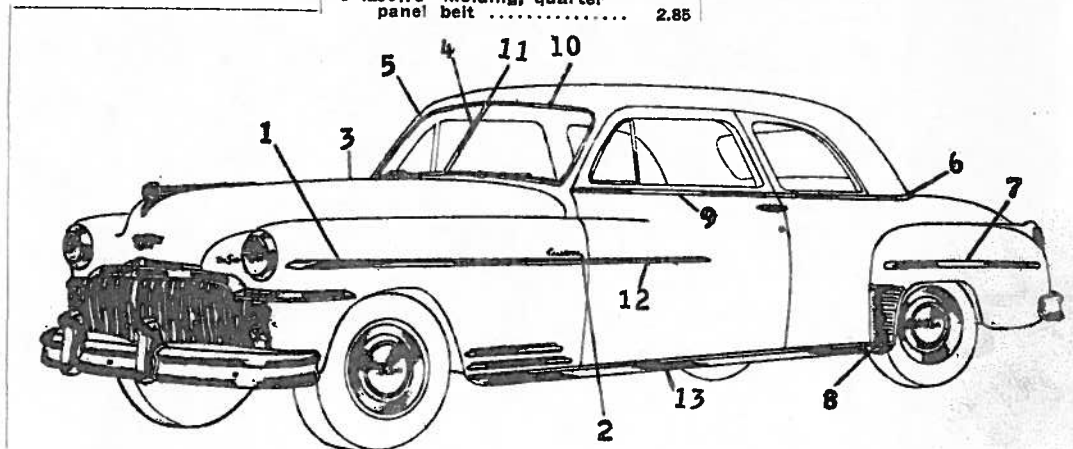
SEDANS

Item Part No.	Description	Price	Item Part No.	Description	Price
1 892195	Glass	P.O.A.	2 1254627	Weatherstrip	3.35
2 1244039	Weatherstrip	3.85	3	Midg., O.S. finish	
			4 1256334	Molding, clip joint.	

BODY MOLDING

CLUB COUPES

Item Part No.	Description	Price	Item Part No.	Description	Price
1 1244170	Molding, fender	8.75	7 1296006	Midg., rear fender	3.55
2 1244364	Name (custom)	1.00	8 1301080	Stone shield	8.50
2 1244365	Fndr. name (D.L.)	.95	13 1308881	Molding, body sill	10.50
3 1240585	Molding, hood	2.80	10 1256330	Midg., W/S, O.S. L.	2.85
4 1243904	Wdshid. bar midg.	3.25	11 1256331	Joint clip, up., W/S	.35
5 1244038	Weatherstrp., W/S.	3.85	11 1256332	Jnt. clip, low., W/S.	.35
9 1256173	Molding, door belt		12 1252348	Midg., frt. fndr. ext.	
6 1256175	Molding, quarter	2.85			
panel belt					

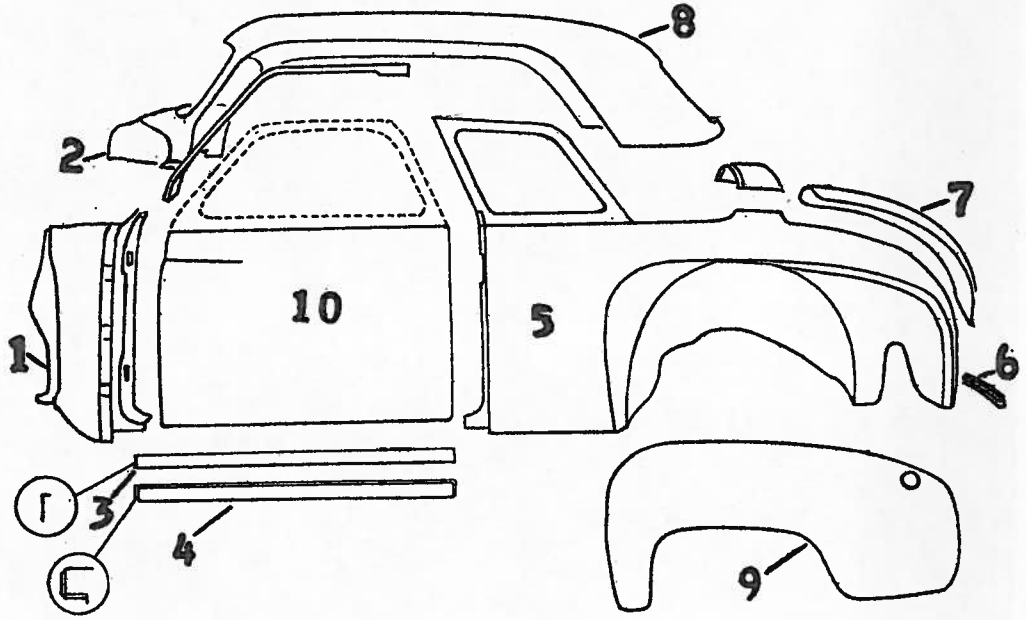


DE SOTO 1949 BODY PARTS

Model S13. ALL BODY STYLES

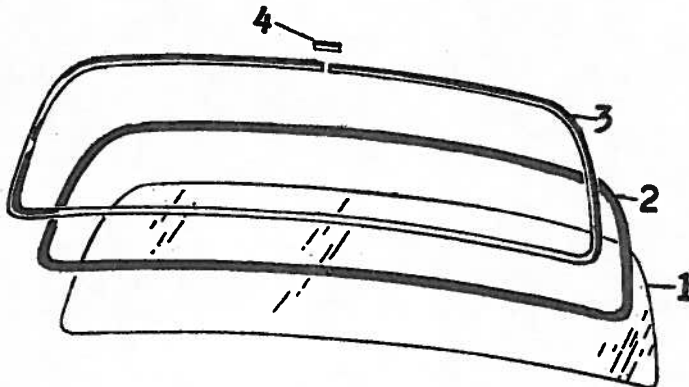
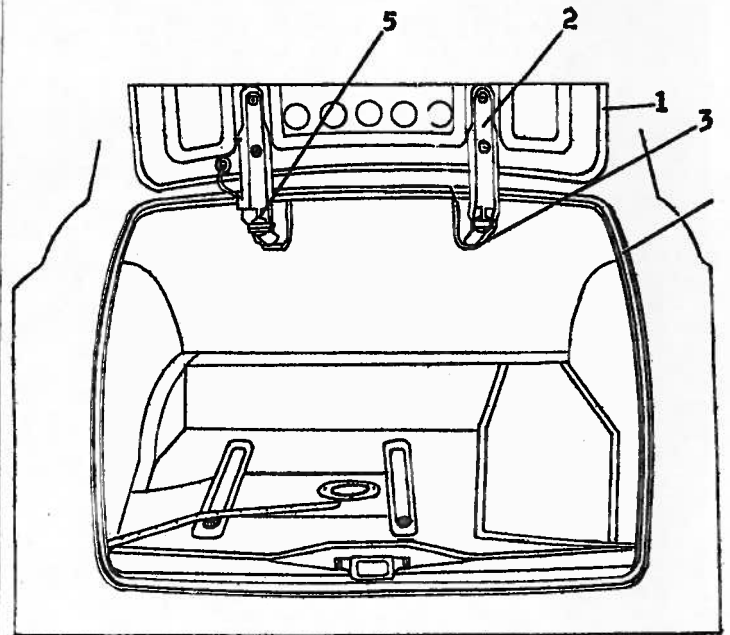
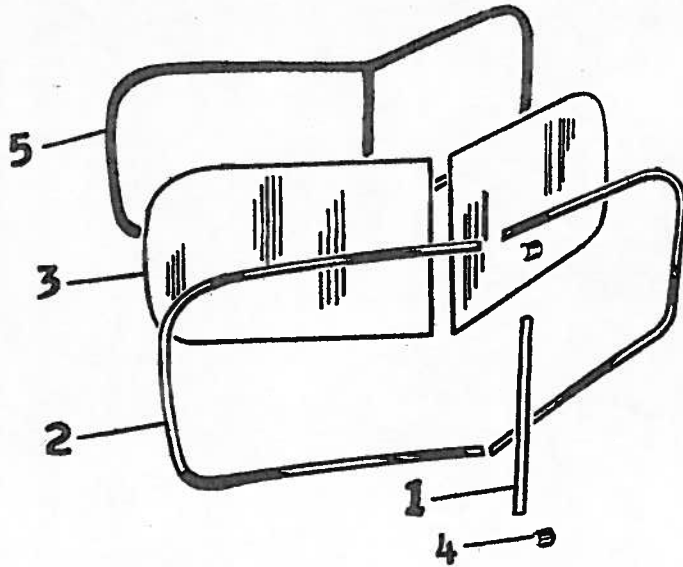
BODY SHEET METAL CLUB COUPES

Item	Part No.	Description	Price
1	1244135	Dash panel	6.75
2	1247869	Cowl assy.	19.75
3	1240644	Body sill, inner	4.75
4	1240642	Body sill, outer	6.25
5		Quarter panel
6		Quarter panel
6	1241331	Rear end pan.	3.50
		Repair panel
7	1255484	Deck lid	36.50
8	1239032	Roof panel	97.50
	1242232	Trough	2.25
9	1232778	Fender, rear, L.	13.50
	1243939	Brace	.45
	1243569	Welt	1.85
10	1900181	Door, less trim, etc.	48.50



WINDSHIELD CLUB COUPES

Item	Part No.	Description	Price
1	1243904	Bar	2.50
2	1242291	Molding	1.75
3	1248579	Glass	P.O.A.
4	695448	Clip, joint	1.15
5	1244038	Weatherstrip	3.95
	1296596	Mirror	1.85



REAR WINDOW COUPES

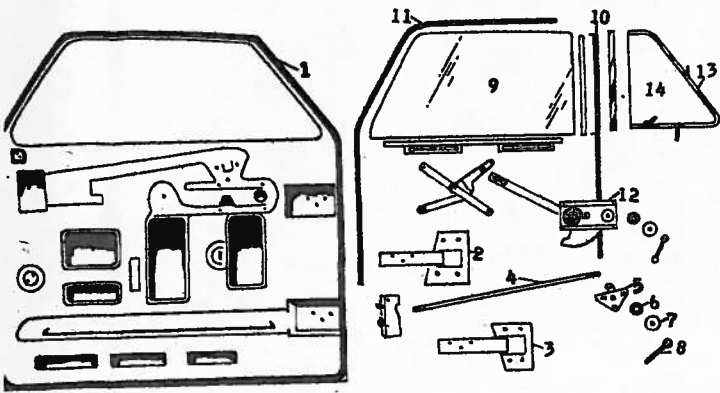
Item	Part No.	Description	Price
1	901819	Glass, 3 ope.	P.O.A.
1	901818	Glass, club ope.	P.O.A.
2	908508	Weatherstp, 3 ope.	3.25
2	1248139	Weatherstp, 3 ope.	8.75
2	1244038	Weatherstrip, club ope.	S-13-S
2	1234627	Weatherstrip, club ope.	S-13-C
3	1256333	Molding, O.S. finish, S-13-C	3.25
4	1256334	Molding, clip joint, S-13-C

REAR DECK CLUB COUPES

Item	Part No.	Description	Price
1	1255484	Lid assy.	36.50
2	1237068	Hinge, Club Coupe	1.75
3	1257068	Pin, hinge
4	1244475	Weatherstrip, deck opening
	1244837	Handle assy.	1.75
	693144	Bumper	1.75
	1254887	Lock	1.75
	1254679	Medallion	1.75
5	1239067	Spring, hinge	2.75

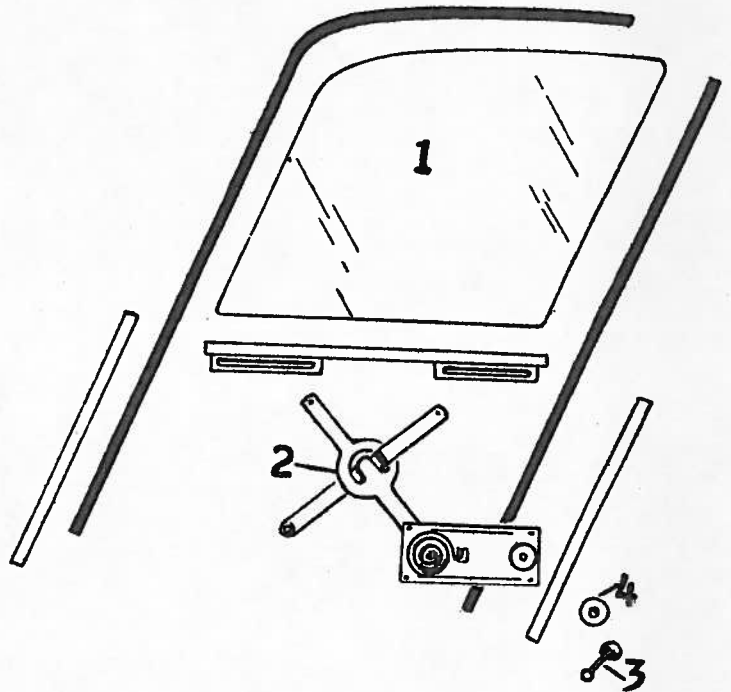
BODY PARTS 1949 DE SOTO

Model S13. ALL BODY STYLES



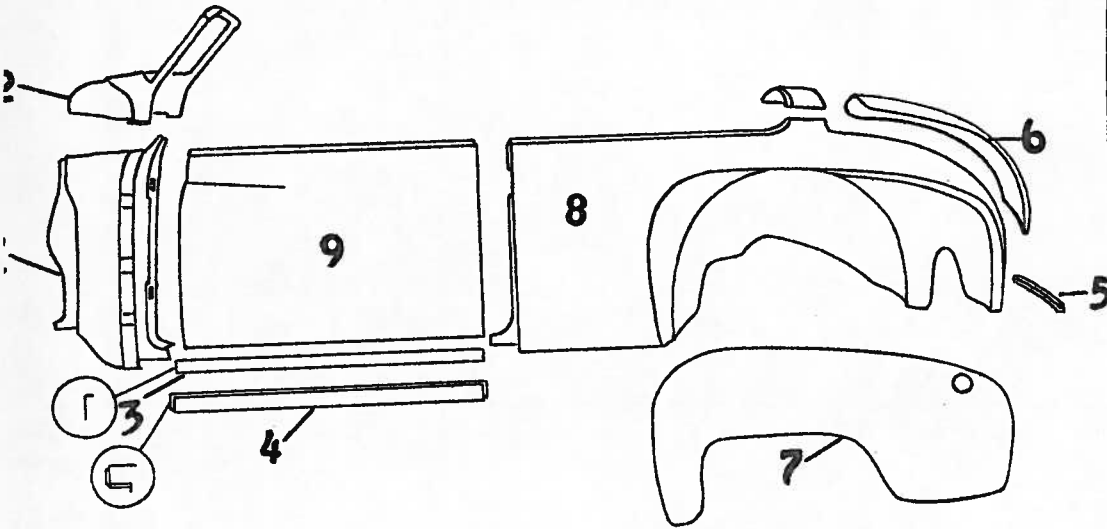
DOOR ASSEMBLY COUPES

Part No.	Description	Price	Item Part No.	Description	Price
1900181	Dr. less trim, ope.	51.50	790562	Roller, pivot stud...	.06
1248763	Door assy., conv...	57.50	9 130222	Glass, club ope... P.O.A.	
1244181	Hinge, upper	1.75	10 124054	Channel, front	1.15
1244182	Hinge, lower	1.75	1243947	Channel, lower	1.35
1242994	Lock link assy., cyl. lock, S-13.	2.65	11 124338	Channel, rear	1.15
1296699	Control assy.	1.25	12 124298	Regulator	4.85
898912	Spring	.15	13 1247317	Vent frame, glass	1.75
1296571	Escutcheon, plas.	.70	14 1302180	Glass, vent... P.O.A.	
1154153	Handle, inside	1.45	1243863	Vent frame	1.75
1222511	Handle, outside	3.25	1234457	Retainer	.10



REAR QUARTER WINDOW CLUB COUPES

Item Part No.	Description	Price
1 1240553	Glass	P.O.A.
2 1242962	Regulator	8.85
3 1296699	Handle	2.10
1254739	Weatherstrip	.65
1252963	Molding, garnish	5.35
4 1296571	Escutcheon	.70

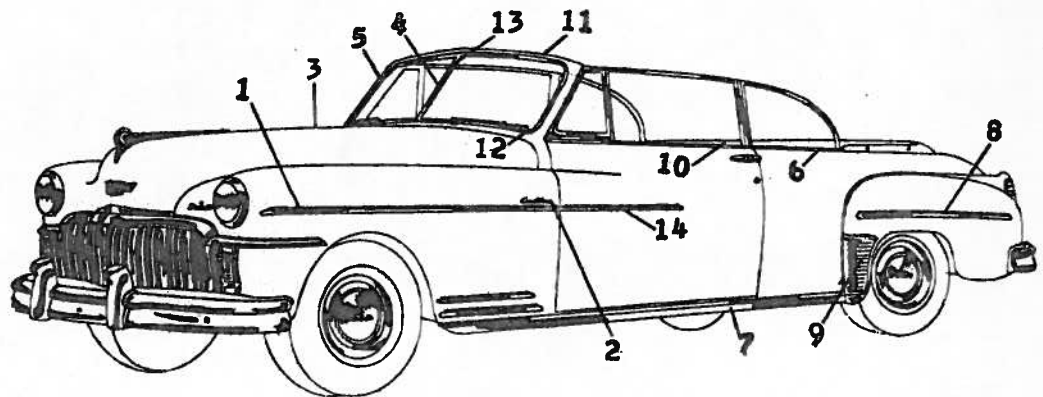


BODY SHEET METAL CONVERTIBLES

Item Part No.	Description	Price	
1 1244135	Dash panel	9.75	
2 1247869	Cowl assy.	19.75	
	Panel, up.	
	Door repair panel	
3 1240364	Body sill, inner	4.75	
4 1240362	Body sill, outer	6.25	
5 1241331	Rear end pan.	3.50	
6 1255484	Deck lid	36.50	
7 1252778	Fender, rear, L.	13.50	
	1243998	Brace	.45
	1243369	Welt	1.85
8	Quarter panel	
9 1249763	Door, less trim, etc.	48.50	

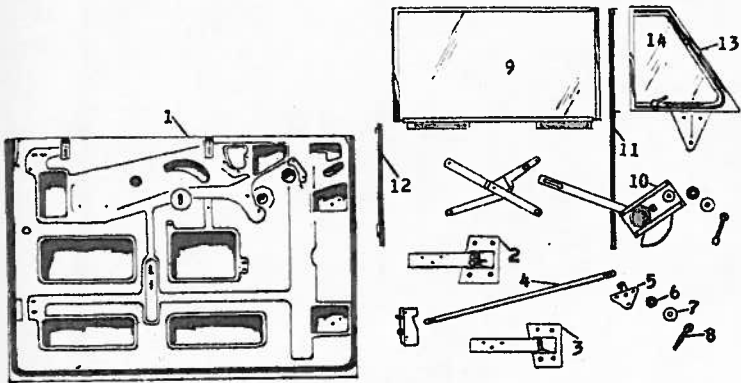
CAR BODY MOLDING CONVERTIBLES

Part No.	Description	Price
1 1244170	Fender molding	8.75
2 1244365	Name plate (DL.)	.85
3 1244364	Name pit. (custom)	1.00
4 1240385	Midg., hood, front	2.80
5 1247620	Wdashid. bar mold.	3.75
6 1246584	Wthatp., W/S (CV)	10.00
7 1303285	Molding, quarter panel belt
8 1306851	Molding, body sill
9 1296006	Midg., rear fender	3.95
10 1301080	Stone shield	6.80
11 1256173	Midg., door belt
12 1303247	Molding, W/S, OS., up, L.
13 1248847	Molding, W/S, OS., low, L.
14 1248850	Joint clip, up, side	.35
15 1248851	Jnt. clip, low, side	.35
16 1303488	Joint clip, upper	.35
17 1303490	Joint clip, lower	.35
18 1303302	Molding, door, L.



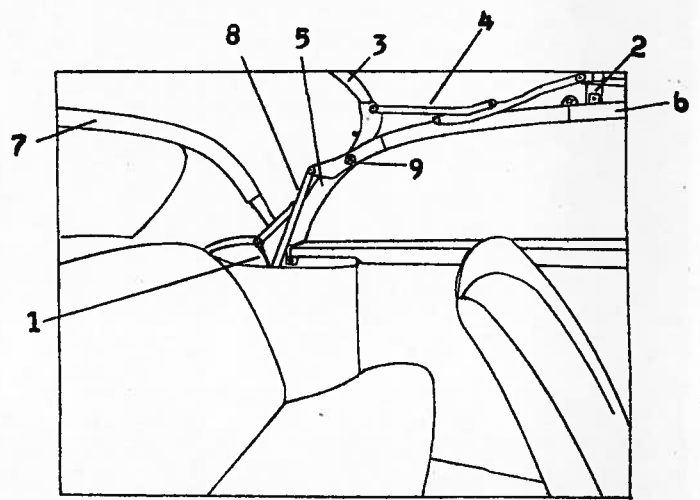
DE SOTO 1949 BODY PARTS

Model S13. ALL BODY STYLES



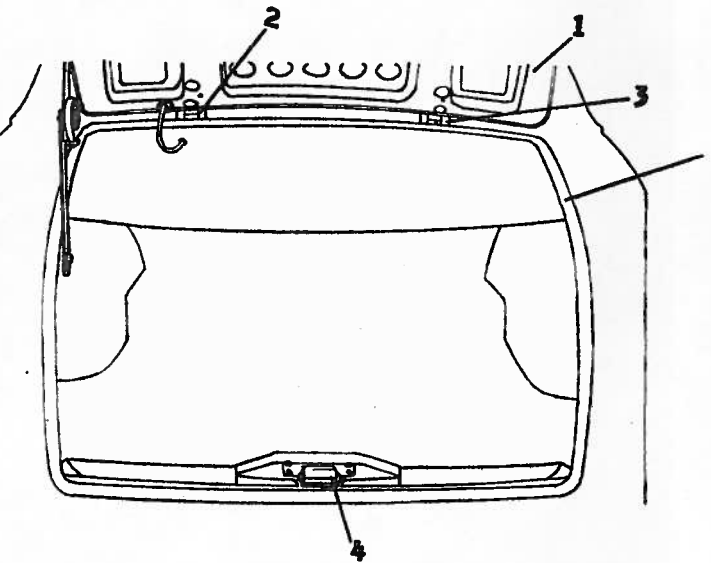
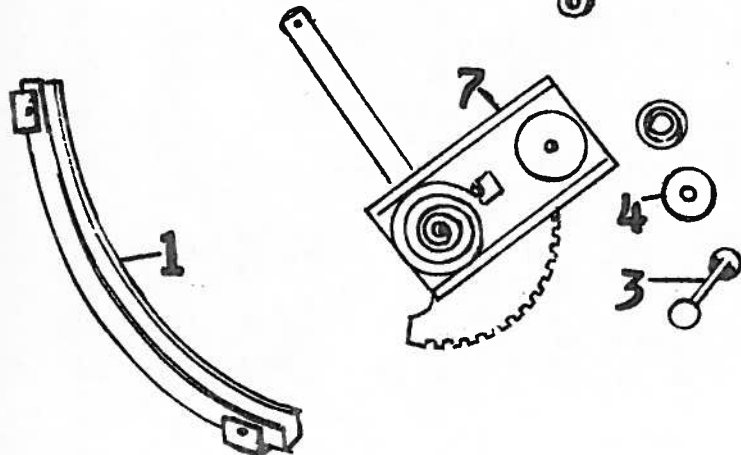
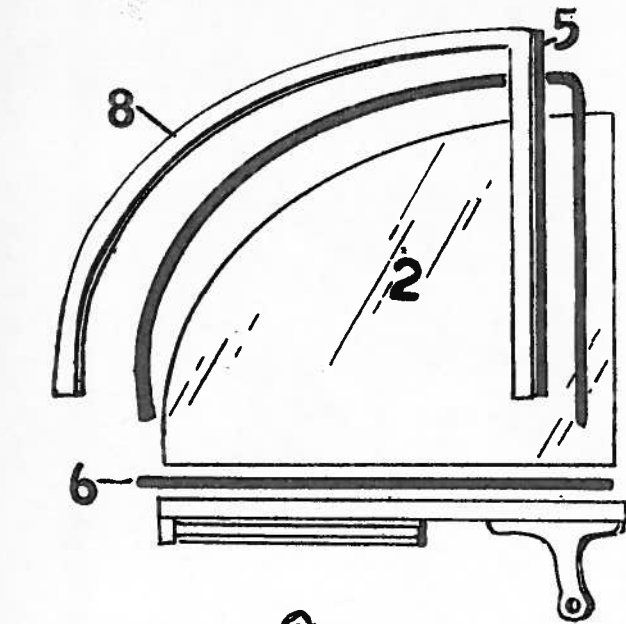
DOOR ASSEMBLY CONVERTIBLE

Item	Part No.	Description	Price	Item	Part No.	Description	Price
1	1248763	Door, less trim, L.	57.50	1248020	Handle, outside	2.75	
2	1244181	Hinge, up., L.	1.75	8 894327	Glass	P.O.A.	
3	1244188	Hinge, low., S-13.	1.75	10 1248651	Regulator	5.75	
4	1244139	Lock link assy.	2.65	11 1248835	Channel, front	3.75	
5	1296699	Cyl. lock, S-13.	1.25	12 1247739	Channel, rear	1.15	
6	948982	Control assy.	.15	1248835	Channel, lower	3.75	
7	1296571	Escutcheon, plas.	.70	13 1248959	Vent frame, wing.	1.75	
8	1254153	Handle, inside	1.45	14 1247317	Vent frame, glass.	1.75	
				14 1248981	Glass, vent	P.O.A.	



CONVERTIBLE FOLDING TOP

Item	Part No.	Description	Price	Item	Part No.	Description	Price
1	1248516	Motor cylinder	12.75	124638	Arm dowel, R.	2.15	
		Lever assembly		7 1248993	Bow, rear	4.75	
		Switch control		8 1246355	Header prop.	1.55	
2	1248261	Bow No. 1.		1246422	Handle	.75	
3	1248287	Bow No. 2.		1246459	Arm dowel, L.	2.15	
4		Link assy.		9 1246517	Dowel, center	2.15	
5	1246286	Pillar assy., L.	13.50	1246153	Plate	1.55	
6	1248385	Rail assy., L.	1.50				



REAR DECK CONVERTIBLES

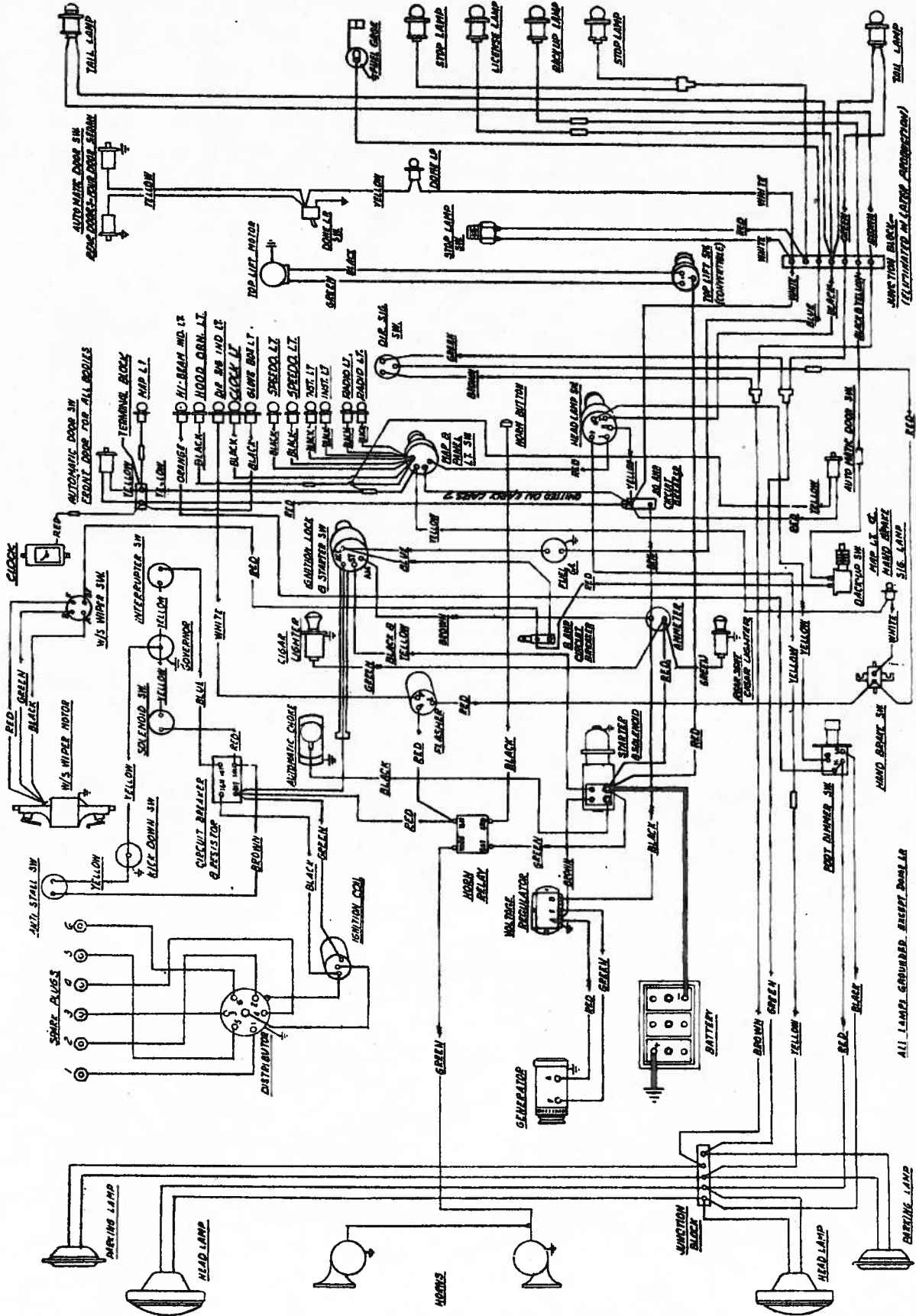
Item	Part No.	Description	Price
1	1303164	Lid assy.	36.5
2	1303189	Hinge	1.8
3	1306194	Pin	.1
8	893296	Pin	.0
	1180000	Plate	1.1
	1244887	Handle assy.	1.5
4	905574	Catch	.3
	893144	Bumper	.0
	1254997	Lock	1.8
	1254679	Medallion	1.4
5	1244478	Weatherstrip, deck opening	...

REAR QUARTER WINDOW CONVERTIBLES

Item	Part No.	Description	Price
1	1248779	Frame	2.75
2	894329	Glass	P.O.A.
3	1296608	Handle assy.	2.10
4	1296571	Escutcheon	1.00
5	1249382	Weatherstrip, up.	1.75
6	1248838	Weatherstrip, low.	1.65
7	1248875	Regulator	5.85
8	1308221	Midg., garnish, L.	5.35

DE SOTO 1949 WIRING

Model S13. ALL BODY STYLES



D-12786

WIRING DIAGRAM FOR MODEL S-13 DE SOTO

ALL LAMP GROUNDED RESIST DOWN

