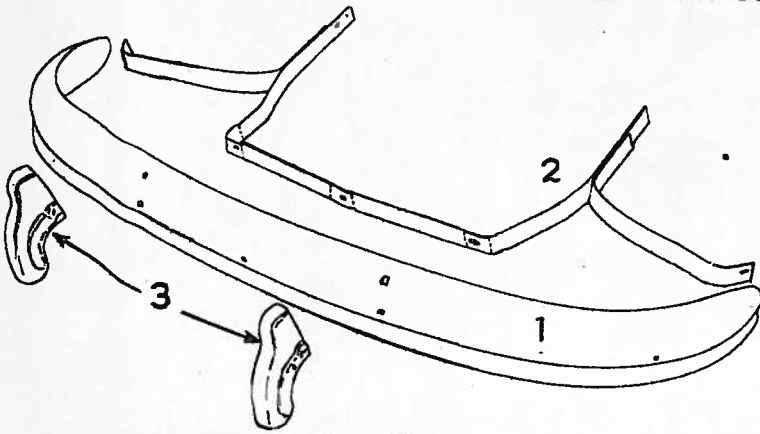


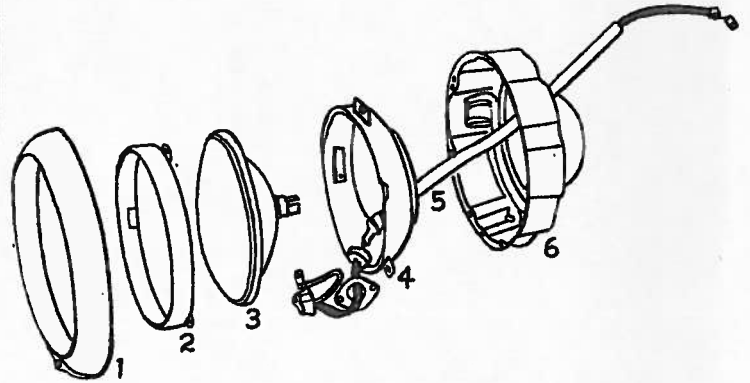
# DE SOTO 1946 to 1948 BODY PARTS

## Series S-11. ALL BODY STYLES



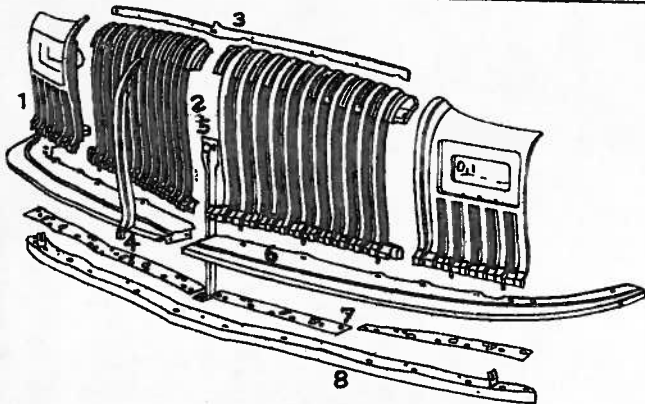
**FRONT BUMPER**

Item Part No.	Description	Price	Item Part No.	Description	Price
1 1117318	Face bar	29.95	3 1119885	Guard	5.00
2 1117741	Support assy.	7.75			



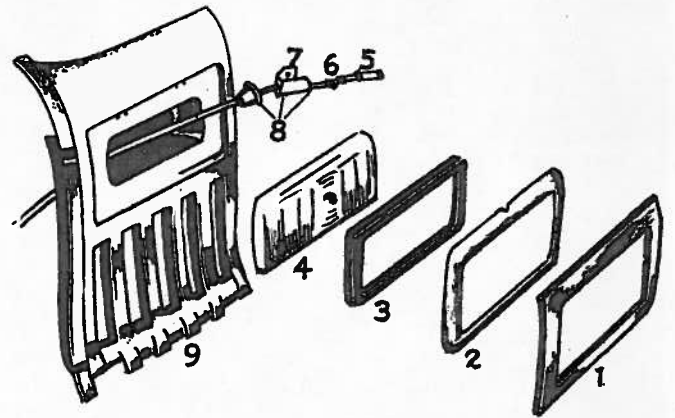
**FENDER AND HEADLAMP**

Item Part No.	Description	Price	Item Part No.	Description	Price
1 988964	Door	1.95	859974	Dimmer switch	1.40
2 948942	Ring	1.55	1149863	Switch	2.40
3 853388	Unit assy.	1.30	1149853	Indicator	.70
4 948948	Seat assy.	1.55	685923	Body indicator	.15
5 1149884	Cable, W. socket	1.55	687563	Bushing	.03
6 1154200	Shell	2.40	385532	Spring	.02
683895	Block	.45	682198	Socket	.10



**GRILLE ASSEMBLY**

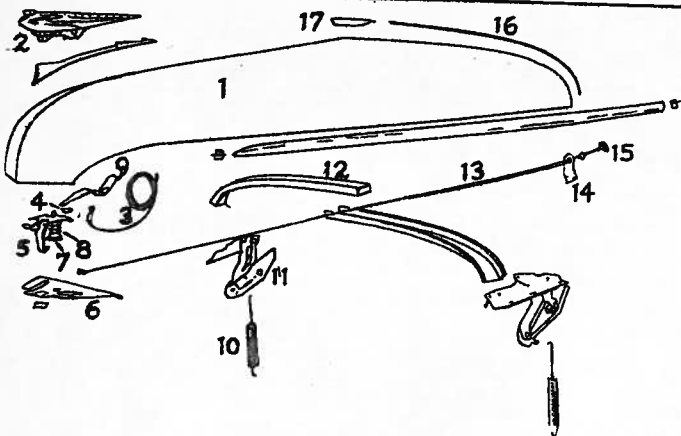
Item Part No.	Description	Price	Item Part No.	Description	Price
1 1152028	Grille outer L.	8.00	5 1068856	Brace	.50
2 1152028	Grille inner L.	18.25	6 1148793	Deflector	2.48
3 1152029	Grille inner top	2.80	7 813073	Anti squeak	.06
4 1152031	Center bar	2.65	8 1068878	Liner	1.25



**PARKING LAMP**

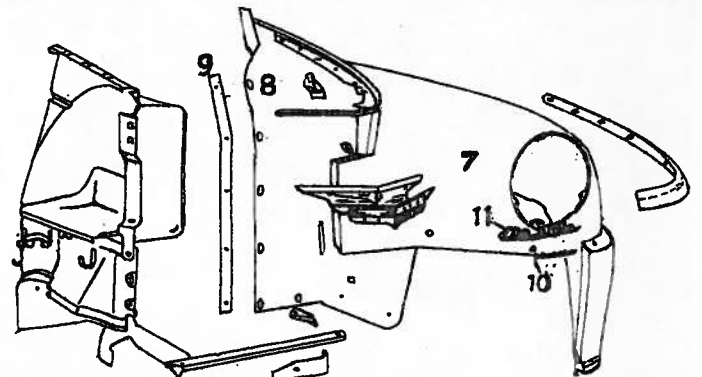
Item Part No.	Description	Price	Item Part No.	Description	Price
1 1152432	Frame	2.05	6 645411	Washer	.04
2 1161410	Retainer	.50	7 1154380	Socket brkt.	.39
3 1149830	Gasket	.45	8 1154367	Socket assy.	1.50
4 1149828	Lens	.50	9 1152028	Grille outer left	11.50
5 687572	Contact	.02			

Desoto 1946-48—Ser. S11, S11C, S11S



**HOOD ASSEMBLY**

Item Part No.	Description	Price	Item Part No.	Description	Price
1 1152886	Hood panel	29.50	8 906062	Spring	.10
2 976218	Ornament	4.80	9 981080	Brkt.	.40
3 976217	Ornament, plastic	7.75	10 976535	Spring	.65
4 988434	Ornament, die cast	7.75	11 1164888	Hinge	3.10
5 1157871	Cable	1.15	12 1156688	Strainer panel	.90
6 742879	Clip	.10	13 908778	Sleeve	.15
7 972725	Catch, safety	.15	14 908815	Support knob	.15
8 997185	Catch assy.	.50	15 1161445	Knob wire	.90
9 872721	Lock, up. half	1.05	16 747877	Strip	.08
10 980623	Lock, lower	1.25	17 905476	Seal	.15
11 906061	Striker	.38			



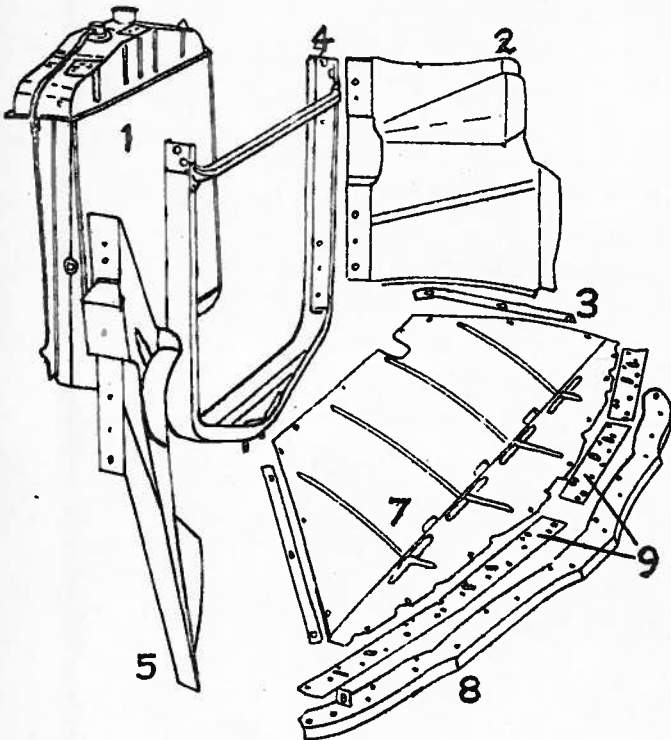
**FRONT FENDER**

Item Part No.	Description	Price	Item Part No.	Description	Price
1 1148418	Fender	33.50	9 313073	Anti squeak	.06
2 1122124	Shield assy.	8.95	10 1155138	Name plate F. D.	.85
3 1238461	Strap	4.40	11 1149288	Name plate	1.45
4 957778	Tray	1.10			
5 899357	Drain tube	.15			

Desoto 1946-48—Ser. S11, S11C, S11S

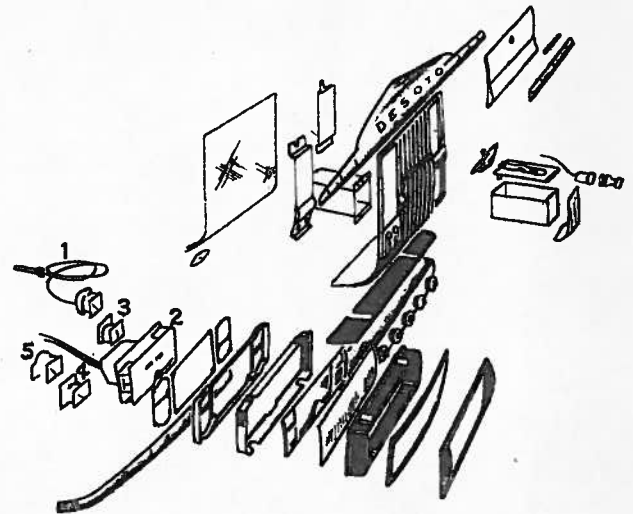
# BODY PARTS 1946 to 1948 DE SOTO

## Series S-11. ALL BODY STYLES



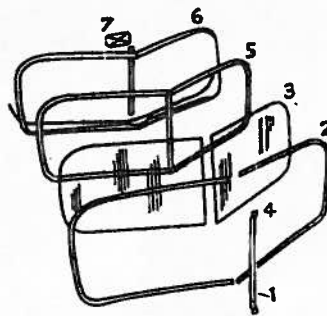
### RADIATOR ASSEMBLY

Item Part No.	Description	Price	Item Part No.	Description	Price
1 972210	Rad. core	70.45	1157908	Seal	.45
1 976213	Core, high altitude	73.80	992874	Air seal	.60
2 1065871	Shield, white	3.80	7 1065805	Dust shield	2.75
2 1065869	Shield, black	3.75	8 1065784	Cross bar	1.95
3 318073	Dust liner	.08	9 318073	Liner	.08
4 1284790	Support brkt.	5.70			



### INSTRUMENT PANEL

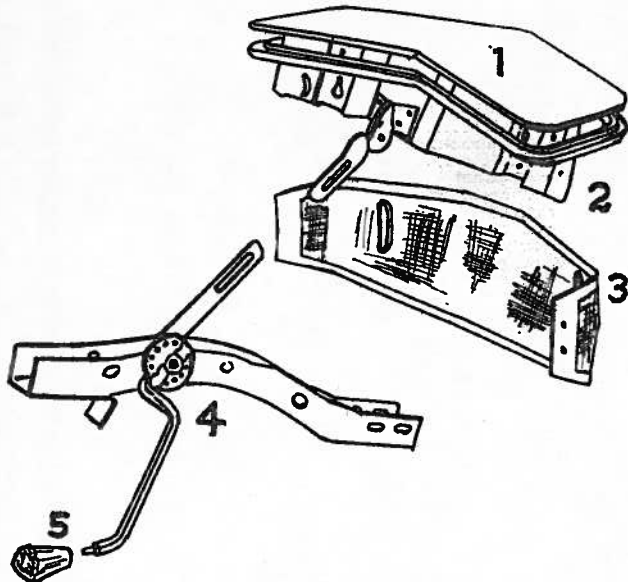
Item Part No.	Description	Price	Item Part No.	Description	Price
1 1154285	Radimeter assy.	4.45	2 1154293	Speedometer, kilo.	14.95
1 1154283	Radimeter assy.	4.45	3 1154275	Oil gage	2.45
1 1154821	Radimeter	4.45	4 1154232	Fuel gage	3.85
1 1154822	Radimeter	4.45	5 1154294	Ammeter	2.25
2 1154292	Speedometer, mile.	14.95			



### WINDSHIELD

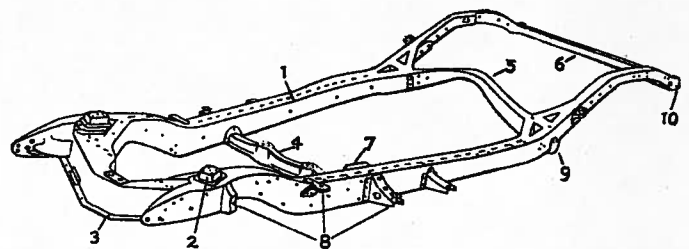
#### 4-DOOR SEDANS

Item Part No.	Description	Price
1 893059	Bar	1.50
2 892381	Midg.	1.55
3 892189	Glass	P.O.A.
4 895448	Clip	1.15
5 948017	W/strip	3.95
6 878059	Welt, 4-d. 4-d. town	1.50
6 898056	Midg., white	.95
6 1153023	Midg. garnish	.70
6 1234635	Midg. garnish, sub. sed. S-11-C	.85
6 1153020	Midg. garnish	6.00
6 892197	Midg., white	3.50
6 1234632	Midg. garnish, sub. sed.	6.00
7 903966	Mirror	1.35
7 1234644	Mirror, sub. sed...	1.35



### COWL VENTILATOR

Item Part No.	Description	Price	Item Part No.	Description	Price
1 939860	Cowl vent.	3.45	4 951715	Support assy.	2.20
2 873278	W/strip	.75	4 1157404	Support	2.20
3 872675	Screen	.85	5 1155285	Knob	.75



### FRAME EXCEPT CONVERTIBLE

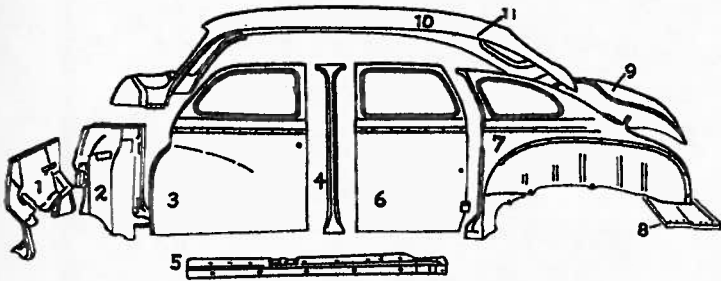
Item Part No.	Description	Price	Item Part No.	Description	Price
1 954734	Frame with F. D.	132.25			
1 958090	Frame with F. D.	88.25			
1 984645	Frame less F. D., 7-pas. limo. sub. sed.	132.25	7 953064	7-pas. limo. sub.	4.30
1 952370	Frame less F. D., 7-pas. limo. sub. sed.	80.50	7 952905	Bracket	1.00
1 954734	Frame with F. D., 7-pas. limo. sub. sed.	132.25	7 952906	Brkt. fluid drive	1.00
2 856177	Control arm supt.	.75	7 952908	Brkt. F. D.	1.00
3 959346	Crossmember, front	17.25	8 952368	Brkt.	1.25
3 959346	Crossmember, 7-pas. limo. sub. sed.	17.25	7 952369	Brkt.	1.25
4 982365	Crossmember	4.30	8 865699	Brkt.	.35
4 954588	Crossmember assy., 7-pas. limo. sub. sed.	5.45	8 952941	Brkt.	1.00
4 952913	Crossmember F. D.	4.30	8 953075	Brkt., 4-d. sed.	1.00
4 954800	Crossmember, 7-pas. limo. sub. sed.	5.45	8 952948	Brkt.	2.00
5 864337	Crossmember, Int.	4.05	8 864372	Brkt.	.60
6 862705	Rear crossmember.	4.05	9 864322	Hanger	1.40
6 864351	Rear crossmember,		10 862899	Hanger, rear	1.00

### CONVERTIBLES

954728	Frame with F. D.	132.25
952940	Frame less F. D.	132.25
952932	Bracket	1.15
954719	Brkt. run board	.70
867712	Brkt.	.60

# DE SOTO 1946 to 1948 BODY PARTS

## Series S-11. ALL BODY STYLES



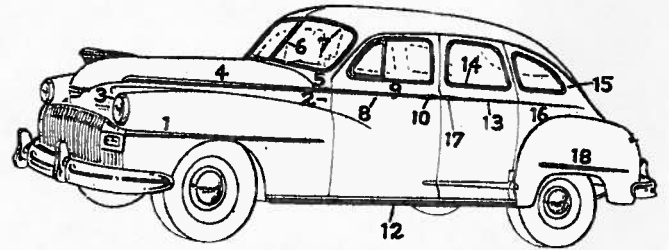
### BODY SHEET METAL

#### 4-DOOR SEDAN

Item Part No.	Description	Price	Item Part No.	Description	Price
1 1156888	Dash panel, S-11..	9.20	7 1161271	Quarter panel ....	43.15
2 1152662	Cowl assy., S-11...	12.65	8 942885	Rear end pan., 4-D.	
3 1163499	Repair panel .....	10.50		4-D. town .....	5.70
4 892473	Pillar, 4-D.-S-11 ..	8.35	9 1154099	Deck lid .....	21.30
4 943148	Pillar, 4-D. town...	10.50	10 943788	Repair panel, 4-D...	36.80
5 1149857	Body sill .....	8.65	10 1151902	Roof assy. ....	68.45
5 1149863	Sill, 4-D. town....	8.65	11 977147	Trough, 4-D. ....	1.30
6 977485	Repair panel, 4-D. town .....	10.50	11 892270	Trough, town sed...	1.15

### BODY SHEET METAL

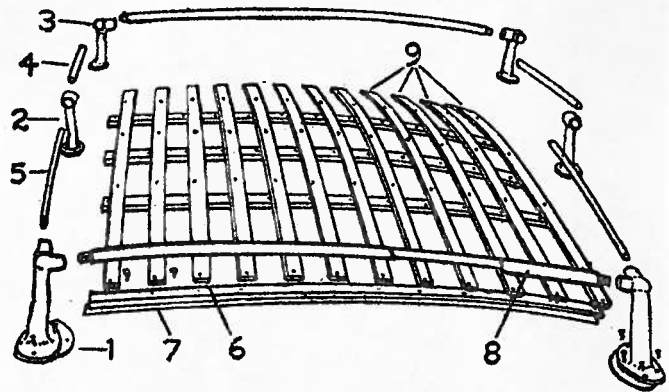
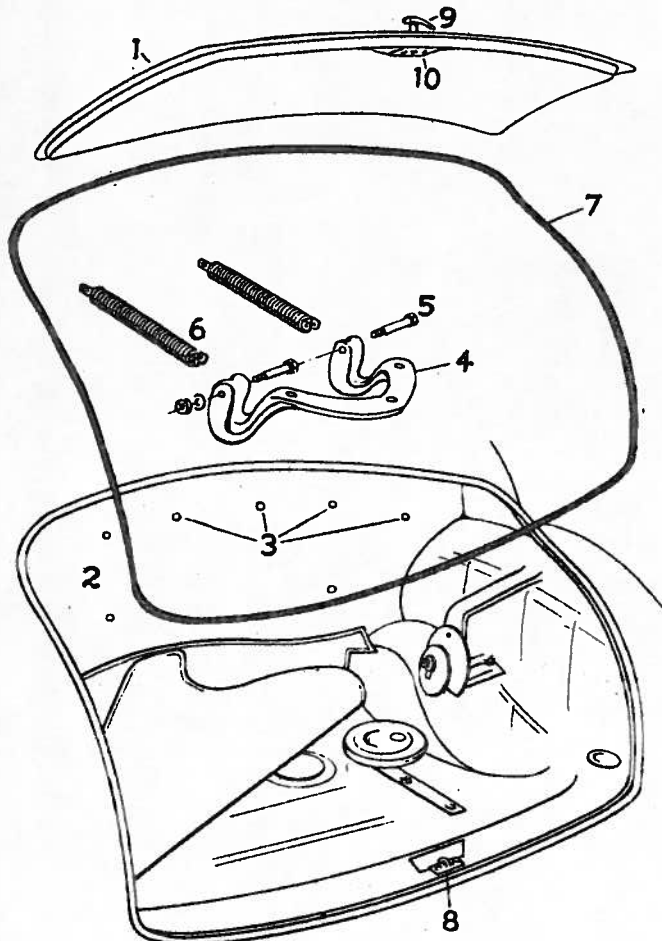
Item Part No.	Description	Price	Item Part No.	Description	Price
<b>LIMOUSINE &amp; SUBURBAN SEDAN</b>					
1 1155838	Dash panel, S-11..	9.20	7 1161271	Quarter panel, Ser.	
2 1152662	Cowl assy., S-11...	12.65		S-11 .....	43.15
3 1163499	Door repair panel, S-11 .....	10.50	8 942885	Rear end pan., 7-	
4 943131	Pillar, 7-pasa. limo.	8.35		pasa. limo. ....	5.70
4 1159375	Pillar, sub. sed....	8.50	8 1238053	Pan. sub. sed....	3.00
5 1149090	Body sill .....	5.00	9 1154099	Deck lid, S-11...	21.30
6 977485	Door repair panel..	10.50	9 1159510	Deck lid, S-11-c.	31.50
			10 1151903	Roof panel assy...	77.65
			11 1158317	Trough, 7-p. limo.	1.85



### BODY MOULDINGS

#### 4-DOOR SEDANS

Item Part No.	Description	Price	Item Part No.	Description	Price	
1 1157435	Fender midg. ....	6.60	12 1151838	Sill midg. ....	6.82	
2 1158138	Name F. D. ....	.85	13 1151955	Midg., 4-d. town..	1.62	
3 1149288	Fender name .....	1.45	18 898522	Midg., 4-d. town...	1.62	
4 1184454	Hood midg. ....	2.60	13 893817	Midg., 4-d. ....	.42	
5 1161884	Cowl midg. ....	.60	14 893714	Midg., 4-d. ....	2.71	
	1161876	Retainer .....	.10	14 893718	Midg., 4-d. town...	2.91
6 893059	Bar midg. ....	1.55	15 892833	Midg., 4-d. 7-pas.		
7 892381	Midg. ....	1.55		limo. sub. sed....	1.71	
8 1151953	Midg., 4-d. ....	1.25		893400	Clip .....	.10
8 1154448	Midg., 4-d. town..	1.40	18 1151957	Midg., 4-d. 7-pas.		
9 893708	Midg., S-11-C .....	2.55		limo. sub. sed....	1.42	
9 893712	Midg., S-11-C 4-d. town .....	2.95	18 1154854	Midg., 4-d. town..	2.62	
10 1161309	Handle, 4-d. ....	2.30	17 1161290	Door handle, out-		
10 1161311	Handle, 4-d. town ..	2.30		side, P-15-C .....	2.02	
11 1157321	Ctr. pillar midg., 4-d. town .....	.50	17 1161293	Handle, outside, P-15-C .....	2.22	
			18 1153986	Midg. ....	2.62	



### LUGGAGE RACK

#### SUBURBAN SEDAN

Item Part No.	Description	Price	Item Part No.	Description	Price	
1159748	Roof rack com-plate, S-11-C .....	110.00	4 1159513	Rail, rear .....	8.52	
1238928	Roof less rack, sub. sed. ....	82.50	4 1159515	Slide rear rail....	8.02	
1155364	Midg. panel .....	.40	5 1159514	Slide rail, front..	8.25	
1 1159486	Brkt. rack, front..	16.50		1159492	Rack rear assy....	21.02
2 1159490	Brkt., ctr. ....	9.50	6 1159517	Channel, front .....	1.52	
1159507	Brkt. ctr. pad....	.35	6 1159520	Channel, white .....	1.52	
1159506	Brkt. pad. ....	.35	1159518	Channel ctr. white	1.52	
3 1159493	Brkt., rear .....	21.00	7 1159545	Silencer .....	3.45	
1159508	Brkt. rear pad....	.35	8 1236118	Cover F. R. rail...	4.85	
			1159591	Slat rack .....	3.50	
			9 1159588	Slat rack .....	3.52	

### REAR DECK

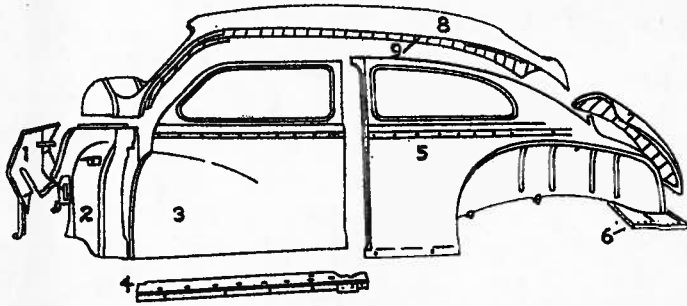
#### 4-DOOR SEDANS

Item Part No.	Description	Price	Item Part No.	Description	Price
1 1154095	Lid assy. ....	21.30	849065	Striker plate, S-11..	.32
2 905506	Panel .....	2.50	1159383	Lock check, S-11-C, sub. sed. ....	1.85
3 910752	Fastener .....	2.30	<b>2-DOOR SEDAN</b>		
4 893223	Hinge, S-11, 7 sed. limo. ....	1.30	1 1154095	Lid assy. ....	21.32
4 1159557	Hinge, S-11-C, sub. sed. ....	2.25	2 905506	Panel .....	2.52
5 893145	Pin, S-11 .....	.10	3 910752	Fastener .....	2.32
5 1159955	Pin, S-11-C, sub. sed. ....	.45	4 893223	Hinge .....	1.32
6 894380	Prop assy., 4-d. 7 sed. limo. ....	1.75	5 893145	Pin .....	.12
7 892305	W/strip .....	3.25	6 894380	Prop assy., 7 sed. limo. ....	1.75
8 849065	Plate .....	.30	7 892305	W/strip .....	3.25
9 976778	Handle assy., 7-pas. limo. sub. sed....	1.95	8 849065	Plate .....	.32
1157650	Wedge, S-11 .....	.15	9 976778	Handle assy. ....	1.95
893144	Bumper .....	.08	1157650	Wedge .....	.12
10 872924	Lock .....	1.50	893144	Bumper .....	.08
1160003	Medallion, S-11 ..	4.80	10 872924	Lock .....	1.52
			1160003	Medallion .....	4.82
			849065	Striker plate .....	.32



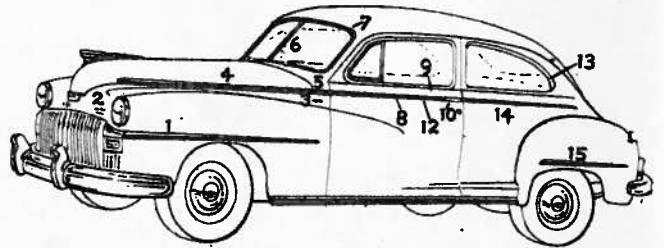
# DE SOTO 1946 to 1948 BODY PARTS

## Series S-11. ALL BODY STYLES



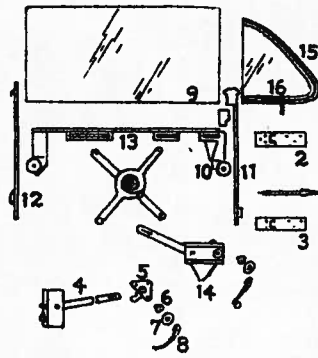
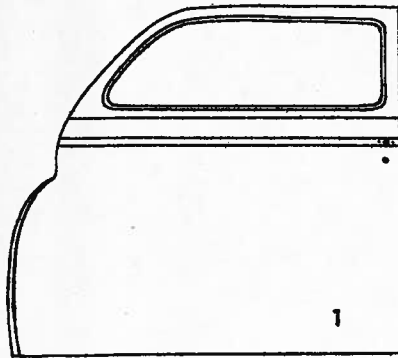
### BODY SHEET METAL 2-DOOR SEDANS

Item Part No.	Description	Price	Item Part No.	Description	Price
1 115838	Dash panel, S-11..	9.20	6 942885	Rear end pan.	5.70
2 115262	Cowl assy., S-11..	12.85	7 1154099	Deck lid	21.30
3 1163499	Repair panel	10.80	8 943768	Repair panel	36.80
4 1148959	Body sill, S-11..	8.85	8 1151902	Roof assy.	68.45
5 1151277	Quarter panel, S-11-S	47.15	9 977147	Trough	1.30
5 1161251	Quarter panel,				



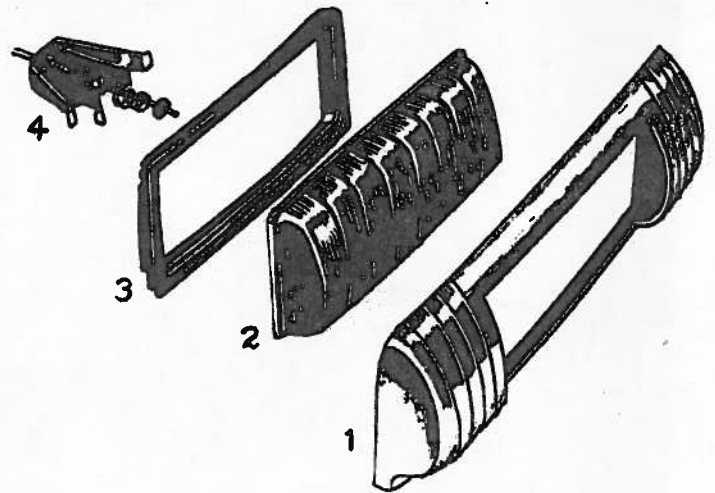
### BODY MOULDINGS 2-DOOR SEDANS

Item Part No.	Description	Price	Item Part No.	Description	Pr
1 115735	Fender midg.	6.60	11 1151838	Ilmo. sub. sed.	2.
2 1155198	Name F. D.	.85	11 1151840	Midg., 7-pas. ilmo.	8.
3 1149288	Fender name	1.45	12 1154862	Midg., 2-d.	9.
4 1154484	Hood midg.	2.80	12 1151961	Midg., 7-pas. ilmo.	1.
5 1151884	Cowl midg.	.80	13 893716	Midg., 7-pas. ilmo.	1.
6 1151876	Retainer	.10	13 893720	Midg. with w/strip	3.
6 893059	Windshield bar	1.50	14 1151963	Clip	2.
7 892381	Midg.	1.55	14 1151963	Quarter pan. midg.	2.
8 1151959	Midg., 2-d. 7-pas. ilmo. sub. sed.	1.60	15 1153968	Rear fender midg.	2.
9 893710	Midg., 2-d. 7-pas. ilmo. sub. sed.	3.00			
10 1161315	Handle, 2-d. 7-pas.				



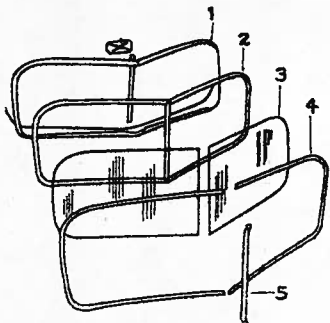
### DOOR ASSEMBLY 2-DOOR SEDANS

Item Part No.	Description	Price	Item Part No.	Description	Price
1 1163449	Door, less trim	43.90	9 892224	Glass, 2-d. 7-pas. ilmo. sub. sed.	P.O.A.
1 1064829	Door assy.	105.10	10 944529	Roller assy.	.85
2 1151852	Hinge, up.	1.75	944304	Retainer	.15
3 1151856	Hinge, lower	1.30	11 1151813	Channel, front	.80
4 945897	Lock link assy.	2.45	12 944108	Channel, rear	.80
5 992587	Cylinder lock, S-11	3.95	12 944108	Channel, rear	.80
5 945955	Control assy.	.65	13 1152251	Channel, lower	2.15
6 89796	Spring	.08	13 1152252	Channel, lower	2.15
7 1154168	Escutcheon, brass	.35	14 1154027	Regulator	3.75
7 1163706	Escutcheon, plastic	.60	15 892837	Vent frame	4.00
8 1154153	Handle, inside	1.45	16 892486	Glass	P.O.A.
1161315	Handle, outside	2.30			



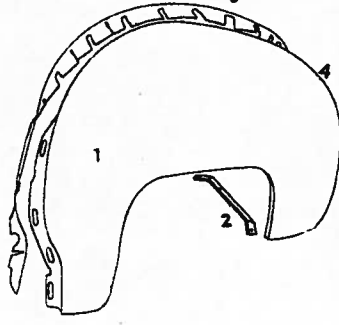
### SIGNAL LAMP

Item Part No.	Description	Price	Item Part No.	Description	Pr
1 1149302	Shell	4.80	3 1149303	Gasket	.
2 1149301	Lens	1.95	4 902592	Socket	.



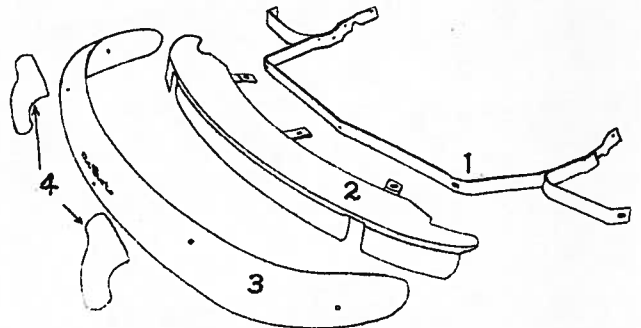
### WINDSHIELD 2-DOOR SEDANS

Item Part No.	Description	Price
3 893059	Bar	1.50
4 892381	Midg.	1.55
3 892189	Glass	P.O.A.
895448	Clip	1.15
2 946017	W/strip	3.95
878059	Welt	1.50
1 893056	Midg., white	.35
1 1153023	Midg., garnish	.70
1 1153020	Midg., garnish	6.00
1 892197	Midg., white	3.50
903963	Mirror	1.35



### REAR FENDER

Item Part No.	Description	Price
1 1148644	Fender	14.60
2 891106	Brace	.35
3 978384	Welt	1.75
4 657625	Cover	.30



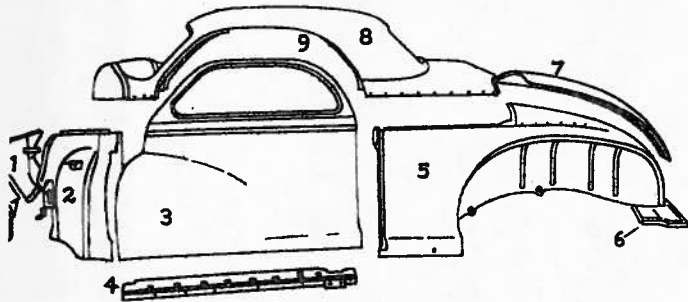
### REAR BUMPER

Item Part No.	Description	Price	Item Part No.	Description	Pr
1 1115587	Support bar	7.50	3 1117752	Face bar	29.1
2 1161167	Deflector	5.35	4 1119885	Buffer	5.1



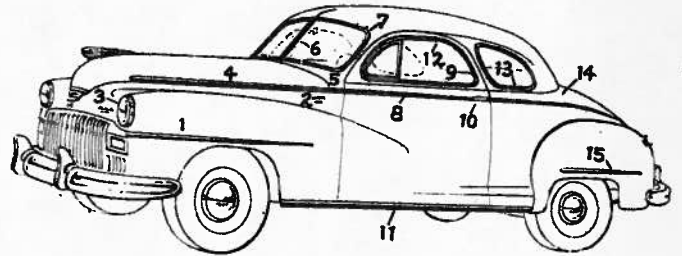
# BODY PARTS 1946 to 1948 DE SOTO

## Series S-11. ALL BODY STYLES



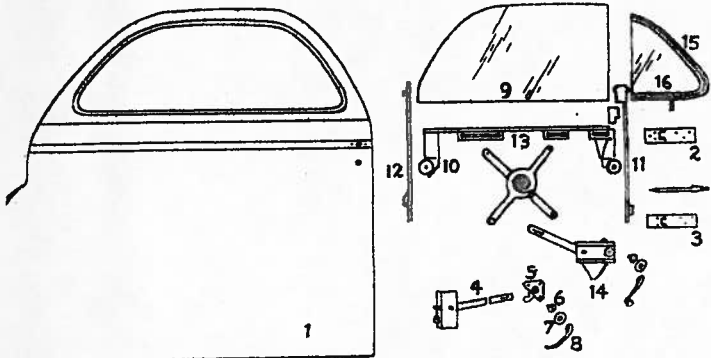
### BODY SHEET METAL COUPES

Part No.	Description	Price	Item Part No.	Description	Price
1155839	Dash panel, 3 cpe. c. cpe.	9.20	6 941254	Egd pan, 3 cpe. club	5.70
1155652	Cowl assy.	9.20	7 1154422	Lid, S-11 3 cpe.	32.80
1153485	Repair panel, S-11	10.50	7 1154426	Lid, S-11 c. cpe.	32.80
1149981	Body all, 3 cpe. club cpe. S-11-C.	8.85	8 1151904	Panel, 3 cpe.	69.00
1161633	Quarter panel, 3 cpe.	40.25	8 1151905	Panel, c. cpe.	65.55
1161641	Quarter panel, c. cpe.	46.00	9 901823	Trough, 3 cpe.	.90
			9 902057	Trough, c. cpe.	1.15



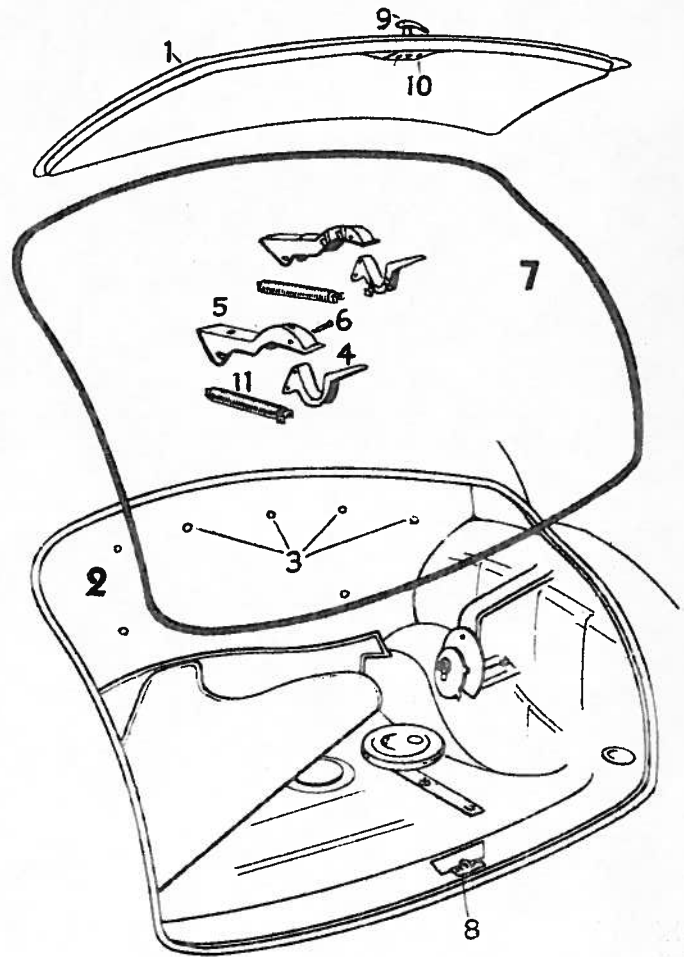
### BODY MOULDINGS COUPE

Item Part No.	Description	Price	Item Part No.	Description	Price
1 1157435	Fender midg.	6.60	10 1161819	Handle, 3 cpe. club	2.30
2 1155138	Name F. D.	.85	11 1151838	Midg.	8.35
3 1149228	Fender name	1.45	12 907839	Midg., S-11-C 3 cpe. c. cpe.	8.00
4 1154454	Hood midg.	2.80	13 907841	Midg. with w/strip, club cpe.	2.30
5 1151824	Cowl midg.	.60	893400	Cilp	.10
1151876	Retainer	.10	14 1151967	Midg., 3 cpe. club	2.60
6 893058	Windshield bar	1.50	15 1153956	Midg.	2.65
7 892381	Midg.	1.55			
8 1151985	Midg., 3 cpe. c. cpe.	1.60			
9 907839	Midg., 3 cpe. club	3.00			



### DOOR ASSEMBLY COUPES

Part No.	Description	Price	Item Part No.	Description	Price
1163445	Door, less trim, 3 cpe. club cpe.	48.90	9 902411	Glass, 3 cpe. club	P.O.A.
1094831	Door assy., 3 cpe. club cpe.	108.10	10 944528	Roller assy.	.55
1151852	Hinge, up.	1.75	944304	Retainer	.15
1151856	Hinge, lower	1.30	11 1181821	Channel, front, club cpe.	1.00
978943	Lock link assy.	17.85	12 1151821	Channel, rear, 3 cpe. club cpe.	1.25
892587	Cylinder lock, S-11	8.95	13 1152284	Channel, lower	2.75
945955	Control assy.	.65	14 1154027	Regulator	3.50
89796	Spring	.08	15 892837	Vent frame, 3 cpe. club cpe.	4.00
1154168	Escutcheon, brass	.35	16 892438	Glass	P.O.A.
1163706	Escutcheon, plastic	.60			
1154159	Handle, inside	1.45			
1161819	Handle, outside, 3 cpe. club cpe.	2.30			

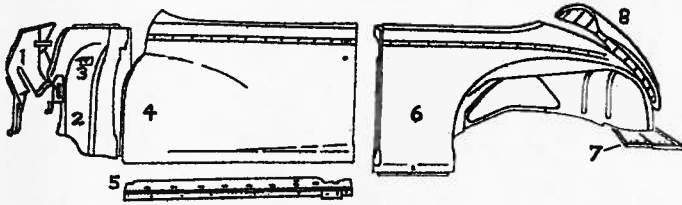


### REAR DECK

COUPES		CONVERTIBLES	
Part No.	Description	Item Part No.	Description
1154422	Lid assy. complete	1 1154430	Lid assy.
1154426	Lid assy. complete	2 935485	Panel, front
905485	Panel, 3 cpe.	3 910752	Fastener
830056	Panel, club cpe.	4 893882	Hinge
910752	Fastener	6 893145	Pin
901863	Hinge, club cpe.	6 893296	Pin
903900	Hinge, 3 cpe.	895189	Prop assy.
903902	Brkt., 3 cpe.	7 895884	W/strip
902126	Pin, club cpe.	8 1160000	Plate
894380	Prop assy.	9 973557	Handle assy.
905651	W/strip, club cpe.	905574	Catch
1160000	Plate	893144	Bumper
973557	Handle assy.	10 905628	Lock
885078	Wedge	1160003	Medallion
893144	Bumper	S-11	
905628	Lock	11 941980	Spring, 3 cpe.
1160003	Medallion, S-11	905574	Catch lock, 3 cpe. club cpe.
896913	Spring, club cpe.		

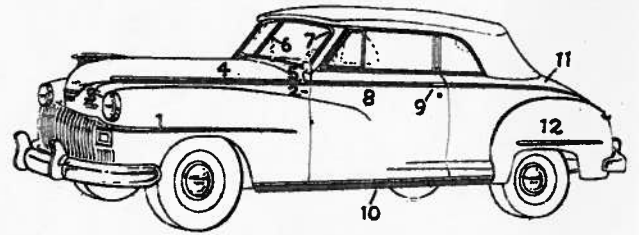
# DE SOTO 1946 to 1948 BODY PARTS

## Series S-11. ALL BODY STYLES



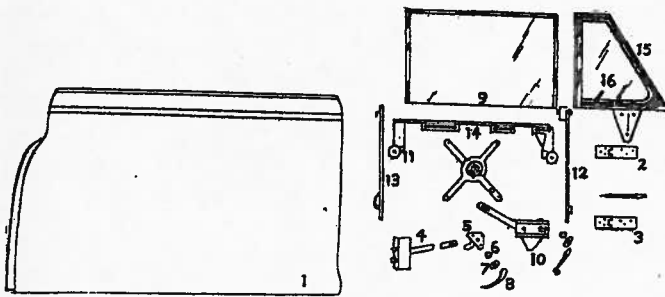
### BODY SHEET METAL CONVERTIBLES

Item Part No.	Description	Price	Item Part No.	Description	Price
1 1185849	Dash panel, S-11..	10.35	5 1155923	Body sill .....	7.75
2 1155402	Cowl assy., S-11-C	28.50	6 1161643	Quarter panel ...	48.00
3 1155480	Panel, up, S-11-C	22.45	7 977597	Rear end pan, S-11-C .....	5.70
4 1163499	Door repair panel, S-11 .....	10.50	8 1184430	Deck lid, S-11-C..	33.95



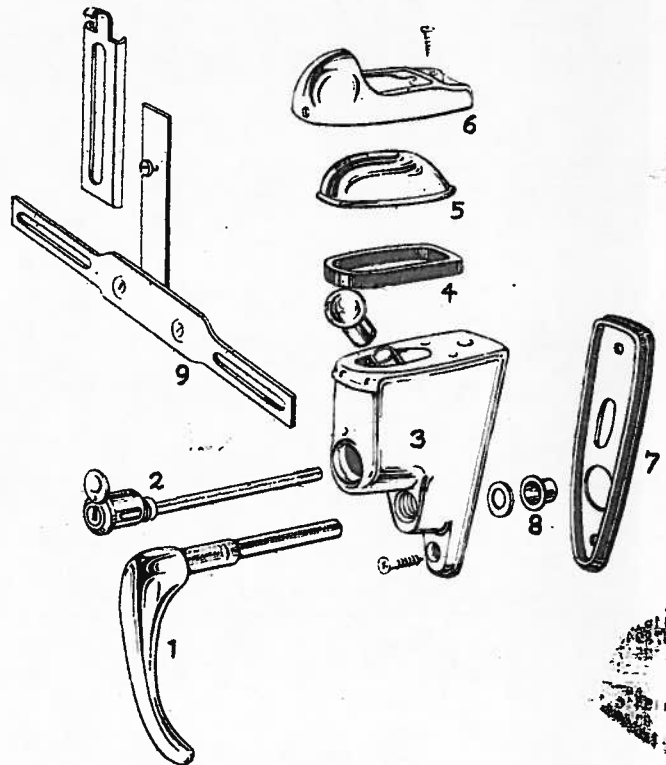
### BODY MOULDINGS CONVERTIBLE

Item Part No.	Description	Price	Item Part No.	Description	Price
1 1157485	Fender midg. ....	6.60	7 892906	Midg. ....	2.85
2 1185135	Name F. D. ....	.85	8 1151969	Midg. ....	2.85
3 1148228	Fender name .....	1.45	9 1161321	Handle .....	2.85
4 1154454	Hood midg. ....	2.80	10 1151838	Midg. ....	2.85
5 1151884	Cowl midg. ....	.60	11 1151971	Midg., S-11-C .....	2.85
1151876	Retainer .....	.10	12 1153986	Midg. ....	2.85
6 893407	Windshield bar ....	1.65			



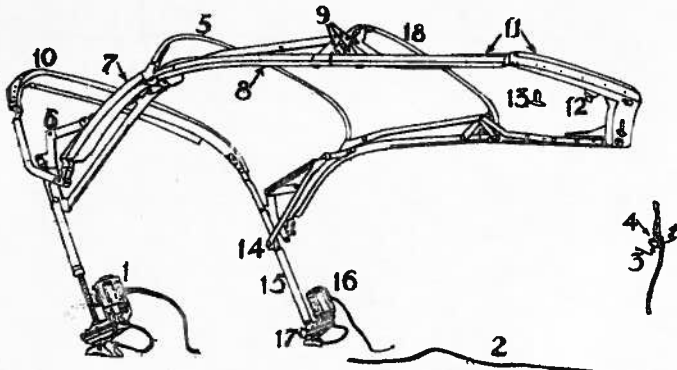
### DOOR ASSEMBLY CONVERTIBLE

Item Part No.	Description	Price	Item Part No.	Description	Price
1 1163447	Door, less trim, S-11-C .....	123.60	11 1161321	Handle, outside ..	2.40
1 1084887	Door assy., com- plete .....	1.75	9 894327	Glass, S-11-C .....	P.O.A.
2 1155206	Hinge, up. ....	1.75	10 895783	Regulator .....	3.75
3 1155208	Hinge, low, S-11-C	2.50	11 944528	Roller assy. ....	.55
4 945913	Lock link assy. ....	4.25	944304	Retainer .....	.15
1156893	Cyl. lock, S-11-C..	.65	12 1151819	Channel, front .....	1.00
6 945955	Control assy. ....	.06	13 977007	Channel, rear .....	3.45
6 89796	Spring .....	.60	14 944763	Channel, lower .....	3.30
7 1163706	Escutcheon, plastic	.60	15 894870	Vent frame .....	8.65
8 1154183	Handle, inside ....	1.45	16 894871	Vent frame .....	8.65
			16 894899	Glass .....	P.O.A.



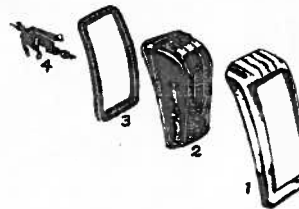
### LICENSE LAMP

Item Part No.	Description	Price	Item Part No.	Description	Price
1 975779	Handle, 4 d. 4 d. town, 2 d. 7 pas. limo. ....	1.95	4 974936	Gasket .....	
1 973557	Handle, cpe. cv. cpe. 1162388—Keys, Ser. 11 .....	1.60	5 974934	Lens .....	
2 951327	Cylinder lock .....	1.65	6 1154287	Cover .....	1.15
3 938987	Body assy. ....	4.95	7 1149304	Pad .....	
			8 877038	Sleeve .....	
			9 1149857	Lic. brkt. ....	



### CONVERTIBLE FOLDING TOP

Item Part No.	Description	Price	Item Part No.	Description	Price
1 1233909	Motor .....	20.00	11 976879	Header top .....	34.50
2 1157916	Wiring assy. ....	8.75	12 893806	Knob .....	1.55
3 975397	Lever assy. ....	.85	13 893818	Dowel, left .....	1.95
4 911833	Switch control .....	2.60	13 893818	Dowel, otr. ....	1.95
5 945514	Bow No. 2 .....	8.50	14 992164	Plate .....	.25
6 945478	Link assy. ....	4.45	15 869571	Boat .....	.60
7 945536	Pillar assy. ....	24.50	16 1233069	Seal .....	.75
8 893246	Rail assy., left. ....	17.25	17 869325	Lift, less motor. ....	27.50
9 946387	Arm link .....	7.20	18 946584	Bow No. 1 .....	4.30
10 893224	Bow, rear .....	8.25			

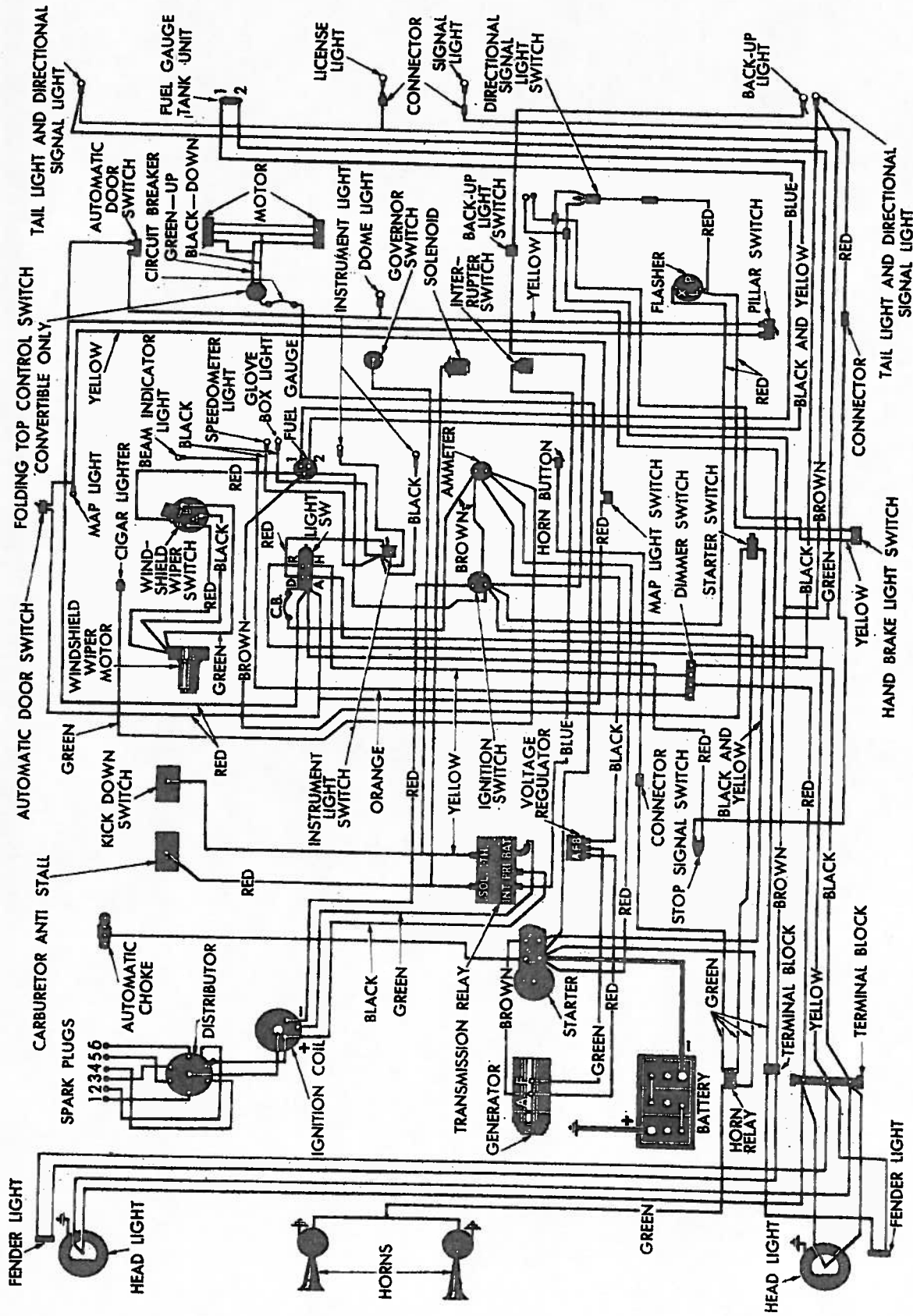


### STOP LIGHT

Item Part No.	Description	Price
1 1161447	Shell .....	2.55
2 1161448	Lens .....	1.55
3 1161450	Gasket .....	.85
4 867420	Socket .....	.45

# CHASSIS WIRING 1946 to 1948 DE SOTO

## Series S-11. ALL BODY STYLES

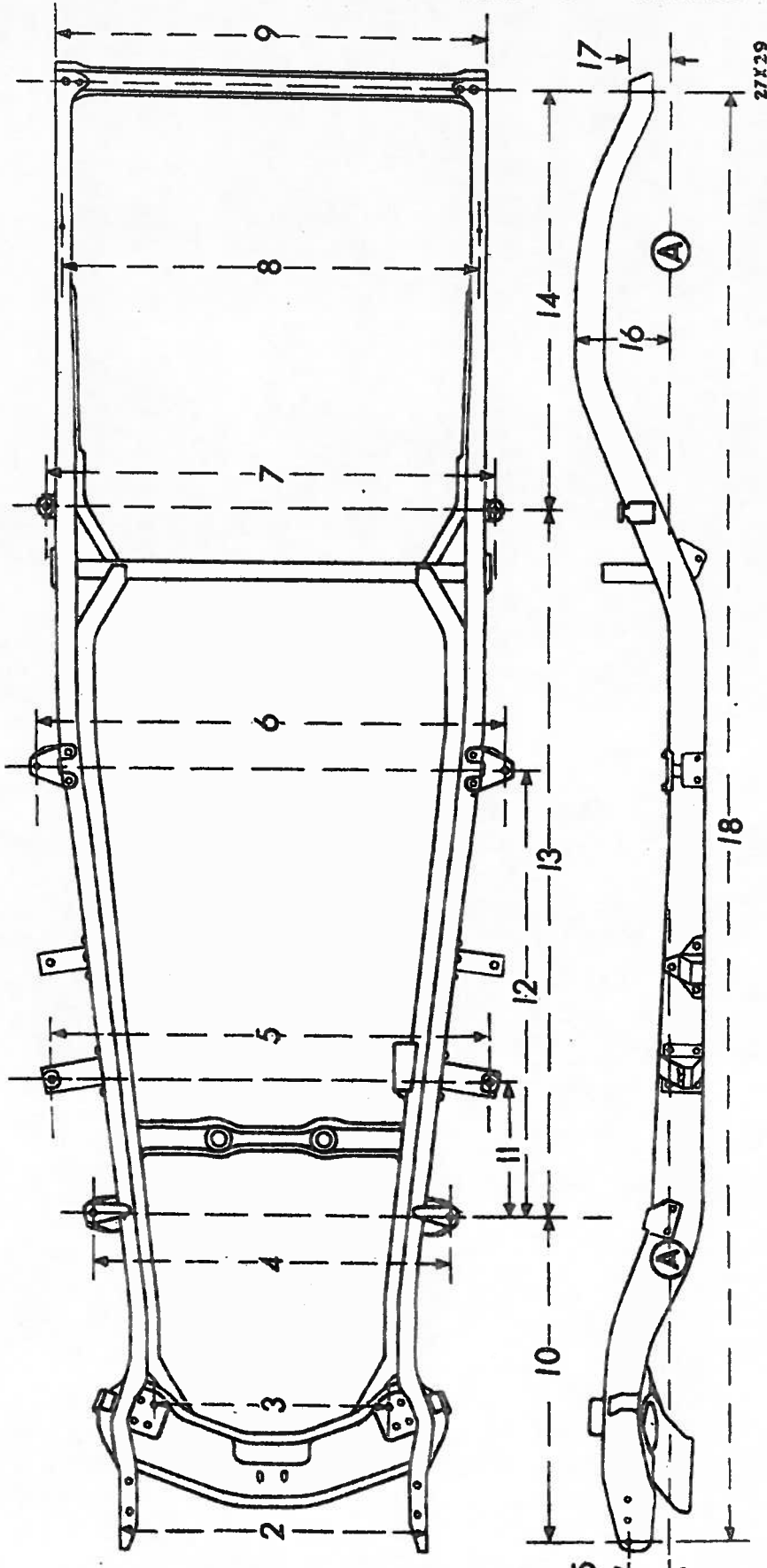


Wiring Diagram S-11



# DE SOTO 1946 to 1948 FRAME

## Series S-11. ALL BODY STYLES



	2	3	4	5	6	7	8	9	10	11	12	13	14	15	16	17	18
S-11	34	26 25/32	40 17/32	50 3/4	52 11/16	50 1/2	N.G.*	48 1/4	40 31/32	15 29/32	51 59/64	81 29/32	48 7/8	3 29/32	10 13/16	4 7/8	17 3/4
S-11-7 Pass	34	26 25/32	40 5/8	50 3/4	53 7/8	50 19/32	N.G.*	48 1/4	40 31/32	15 29/32	60 3/32	99 29/32	48 7/8	3 29/32	10 13/16	4 7/8	189 3/4
S-11-2 Dr.	34	26 25/32	40 17/32	50 3/4	53 7/8	50 1/2	N.G.*	48 1/4	40 31/32	15 29/32	60 31/32	81 29/32	48 7/8	3 29/32	10 13/16	4 7/8	171 3/4

\* Dimensions not given.

# FLAT RATE 1946 to 1948 DE SOTO

## Series S-11. ALL BODY STYLES

Chilton Job No.	Chilton Labor Price	Chilton Job No.	Chilton Labor Price	Chilton Job No.	Chilton Labor Price	Chilton Job No.	Chilton Labor Price	Chilton Job No.	Chilton Labor Price	Chilton Job No.	Chilton Labor Price	Chilton Job No.	Chilton Labor Price	Chilton Job No.	Chilton Labor Price	Chilton Job No.	Chilton Labor Price		
<b>A</b>		<b>A-continued</b>		<b>A-continued</b>		<b>B-continued</b>		<b>C-continued</b>		<b>D</b>		<b>E-continued</b>		<b>E-continued</b>		<b>F-continued</b>		<b>G</b>	
1.....	2.00	7.....	1.25	20x.....	10.00	9.....		3.....	20.00	1.....	3.00	2.....	22.00	12.....		2.....	12.00	1.....	84.00
2.....	3.00	8.....	1.00			10.....		4.....	2.50	1a.....	2.75	3.....	15.00	13.....		3.....	15.00	2.....	20.00
3.....	4.00	9.....	3.50			11.....	2.00	5.....	4.00	2.....	1.50	4.....	20.00	14.....	105.00	4.....	2.00	3.....	15.00
4.....	5.50	10.....				12.....	2.50	6.....	4.50	3.....	1.50	5.....		15.....	85.00	5.....	2.50	5.....	
4a.....		11.....	9.00			13.....		7.....	3.00	4.....	14.00	6.....		16.....	80.00	6.....	1.50	7.....	8.00
4b.....	2.50	12.....	3.00			14.....	1.50	8.....	4.00	5.....	8.00	7.....	8.00	17.....	13.00	7.....	1.25	8.....	
4c.....	4.50	13.....	1.50			15.....	1.00	9.....		6.....		8.....		18.....	12.00	8.....	3.00	9.....	55.00
4d.....	8.50	14.....						10.....		7x.....		9.....		19.....		9.....		10.....	55.00
5.....	3.00	15.....	.75					11.....	4.25	8.....		10.....	55.00			10.....		11.....	35.00
5a.....	3.00	16.....						12.....	5.00	9.....		11.....	40.00			11.....	3.00	12.....	37.00
5b.....	5.00	17.....	1.25					13.....		10.....		12.....	40.00			12.....		13.....	
5c.....	8.00	18.....	8.00					14.....	1.75	11.....		13.....	35.00			13.....		14.....	
5d.....	8.00	19.....	6.00					15.....	1.25	12.....		14.....	37.00			14.....	1.50	15.....	10.00
5e.....	12.00	20.....	6.00							13.....		15.....							
										14.....	85.00	16.....							
										15.....		17.....	3.75						
										16.....		18.....	5.00						
										17.....									
										18.....									
										19.....									
										20.....									

### STEERING GEOMETRY

**CASTER:** 1 degree negative to 1 degree positive.

**CAMBER:** 1/4 degree preferred. Limits: Zero degree to 3/4 degree positive.

**TOE-IN:** Zero to 1/16 inches.

**KING PIN INCLINATION:** 4 3/4 to 6 degree.

#### ALL MODELS

**CAMBER:** Is controlled by turning eccentric bushing in upper support arm.

**CASTER:** Manufacturers of cars using this construction state that castor is non-adjustable.

