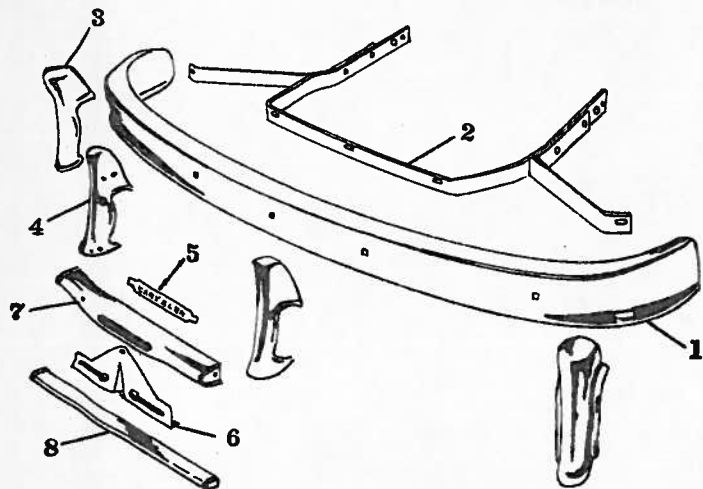


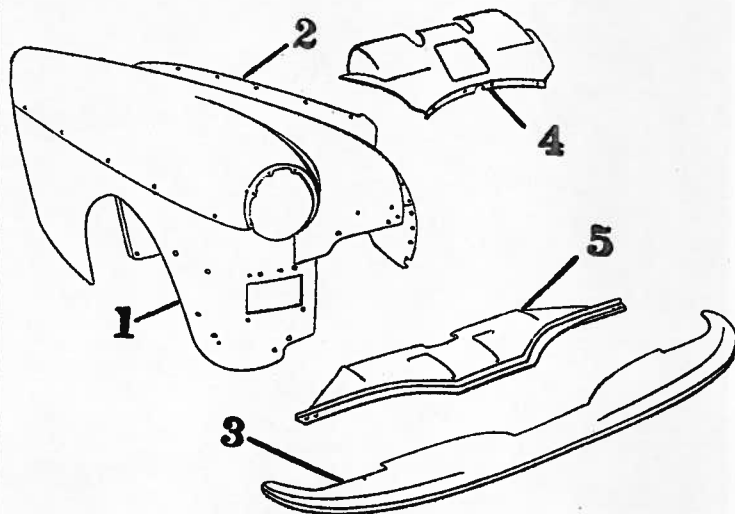
CHRYSLER 1949 BODY PARTS

Model C46. ALL BODY STYLES



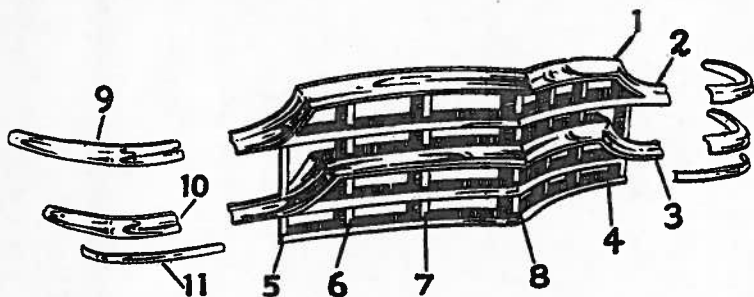
FRONT BUMPER

Item Part No.	Description	Price	Item Part No.	Description	Price
1 1134027	Face bar, 4-d., c. cpe. conv. cpe.	42.50	1314081	Reinforcement lic. guard	.25
2 1137315	Sup. bar, 4-d., c. cpe. conv. cpe.	6.75	5 1314074	Medallion lic. grd.	1.65
3 1312559	Plate bmpr. buffer, 4-d. c. cpe. conv. cpe.	9.75	6 1313122	Lic. plate assy., chrome	1.95
3 1312584	Center buffer, 4-d., c. cpe. conv. cpe.	P.O.A.	7 1314089	Bar, lic. guard tie, up.	4.50
4 1313565	License guard, L.	9.25	8 1314088	Bar, lic. guard tie, low.	4.00



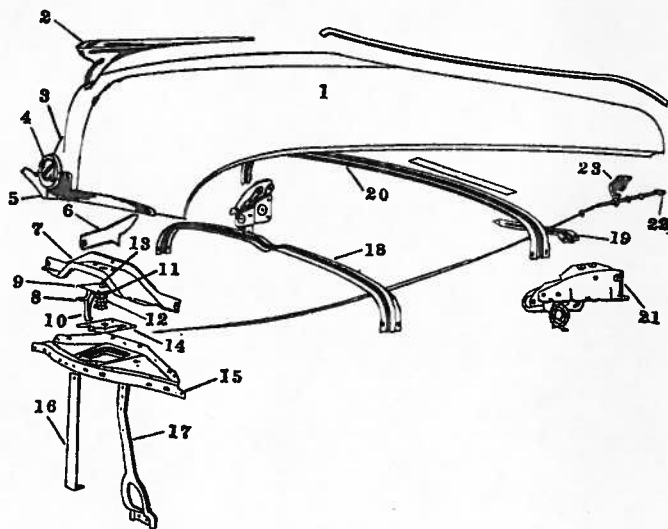
FRONT FENDER

Item Part No.	Description	Price	Item Part No.	Description	Price
1 1241313	Fender assy.	47.50	1138158	Brkt., fender shield	1.35
2 1140054	Shield, complete assy.	11.85	3 1241994	Stone deflector	6.70
1313075	Cover shield hole.	.25	4 1241452	Shield, rad., up.	4.50
			5 1241328	Dust shield, front.	3.25



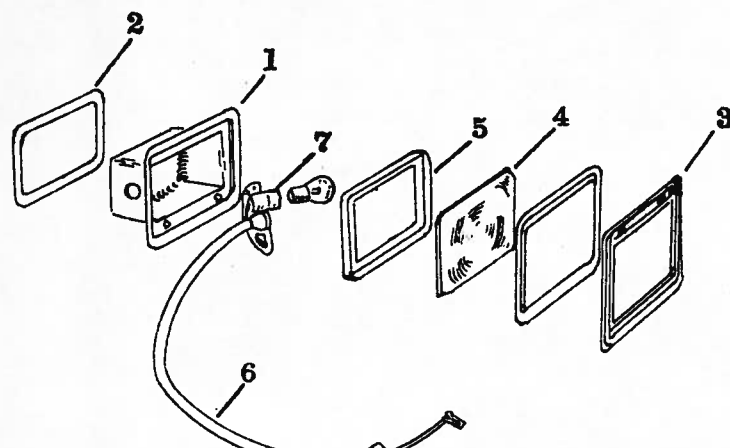
GRILLE ASSEMBLY

Item Part No.	Description	Price	Item Part No.	Description	Price
1 1298356	Midg., up. (horiz.)	14.25	6 1298364	Bar, out., intermediate, vertical	2.85
2 1298357	Midg., intermediate, up. (horizontal)	9.25	7 1298353	Bar, in., intermediate, vertical	2.95
3 1298358	Midg., cntr. (horiz.)	14.25	8 1298368	Bar, center vert.	3.05
4 1298359	Midg., low housing (horizontal)	9.25	9 1298373	Fender grille, extension, up. midg.	3.75
4 1298360	Midg., low housing (narrow)	9.25	10 1298375	Cen. ext., L. midg.	3.25
5 1298362	Bar, out. vert., L.	2.75	11 1298377	Low. ext. midg.	3.65



HOOD ASSEMBLY

Item Part No.	Description	Price	Item Part No.	Description	Price
1 1240677	Hood panel assy.	82.50	13 908061	Striker, hood lock	.35
2 1299366	Ornament, hood, top	9.45	14 1240225	Lk., low. half assy.	2.25
3 1299327	Retainer	1.35	15 1241301	Sup., low. lock	1.35
4 1299322	Medallion, hood, front (plastic)	1.45	16 1300418	Brace, lock sup.	.60
5 1299365	Midg., hood, front	6.25	17 1298956	Brace, low. lk. sup. panel	.60
6 1243892	Brace, hood strainer, front	.35	18 1254609	Strainer, hinge	2.05
7 1241295	Lock sup. assy.	1.55	19 1244826	Brace, hood panel	1.65
8 1289984	Lk., hood, up. half	1.75	20 1297520	Strainer, intermediate panel	1.05
9 972723	Plate, up. base assy.	.50	21 1256118	Hood hinge assy.	5.45
10 1239895	Catch, safety look	.15	22 1300622	Knob and wire assy.	1.75
11 906062	Spring	.20	23 1301348	Sup., hood lk. assy.	.45
12 906063	Retainer	.15			

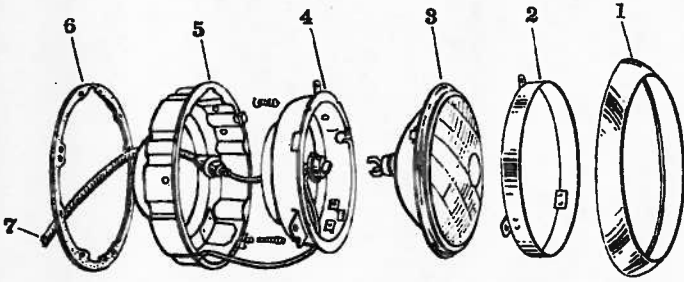


PARKING LAMP ASSEMBLY

Item Part No.	Description	Price	Item Part No.	Description	Price
1 1297916	Housing assy.	2.20	5 1297923	Lens mounting gasket	.65
2 1297924	Mounting gasket	.75	6 1244681	Cable assembly	2.60
1257223	Flasher signal assy.	1.75	7 1241138	Socket, parking lamp assy.	1.35
3 1297925	Bezel	2.35			
4 1297922	Lens	1.25			

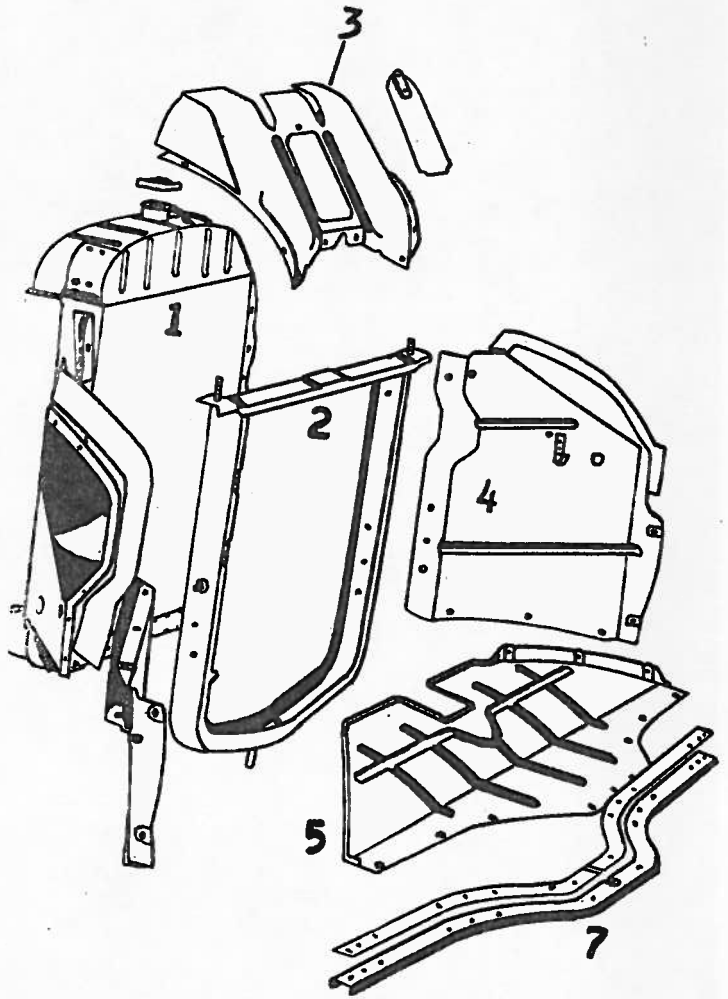
BODY PARTS 1949 CHRYSLER

Model C46. ALL BODY STYLES



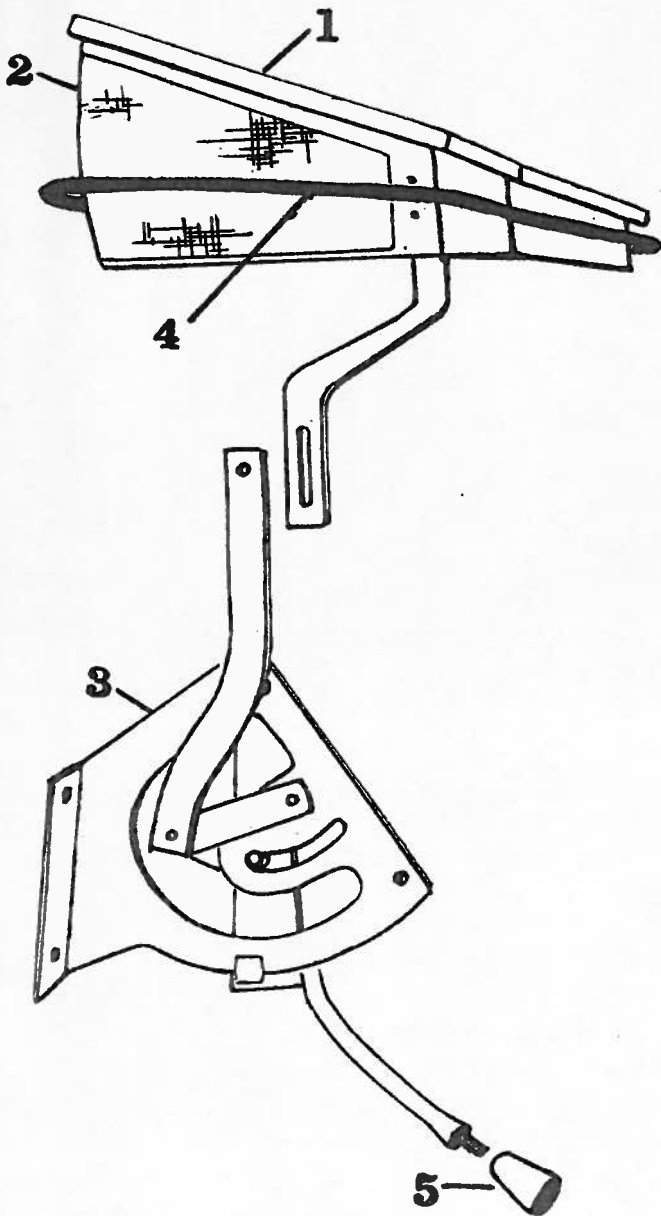
HEADLAMP ASSEMBLY

Item Part No.	Description	Price	Item Part No.	Description	Price
1a	1902439—Headlamp assy...	10.95	5	1154200—Shell assy.	2.80
1	1239411—Door assy.	4.25	6	997688—Mounting gasket ..	.85
2	946948—Retaining ring	1.35	7	1902481—Cable and socket	1.55
3	1297667—Bulb assy.	1.30		assy.	
4	946940—Seat assy.	4.20			



AIR SCOOPS AND RADIATOR

Item Part No.	Description	Price	Item Part No.	Description	Price
1	1258794—Radiator core assy.	109.25	5	1241328—Rad. dust shield..	3.25
2	1241371—Rad. sup., w/horn brkt.	7.75	6	318073—Liner, specify by the foot10
3	1241452—Shield, rad., up...	4.50	7	1240510—Bar assy.	P.O.A.
4	1242956—Side shield, w/seal complete	4.25			



COWL VENTILATOR

Item Part No.	Description	Price
1	1243924—Ventilator lid	3.25
2	1243430—Screen85
3	1266387—Vent. mechanism.	3.45
4	1246657—W/strip80
5	1299347—Knob75

CHRYSLER 1949 BODY PARTS

Model C46. ALL BODY STYLES

SHEET METAL

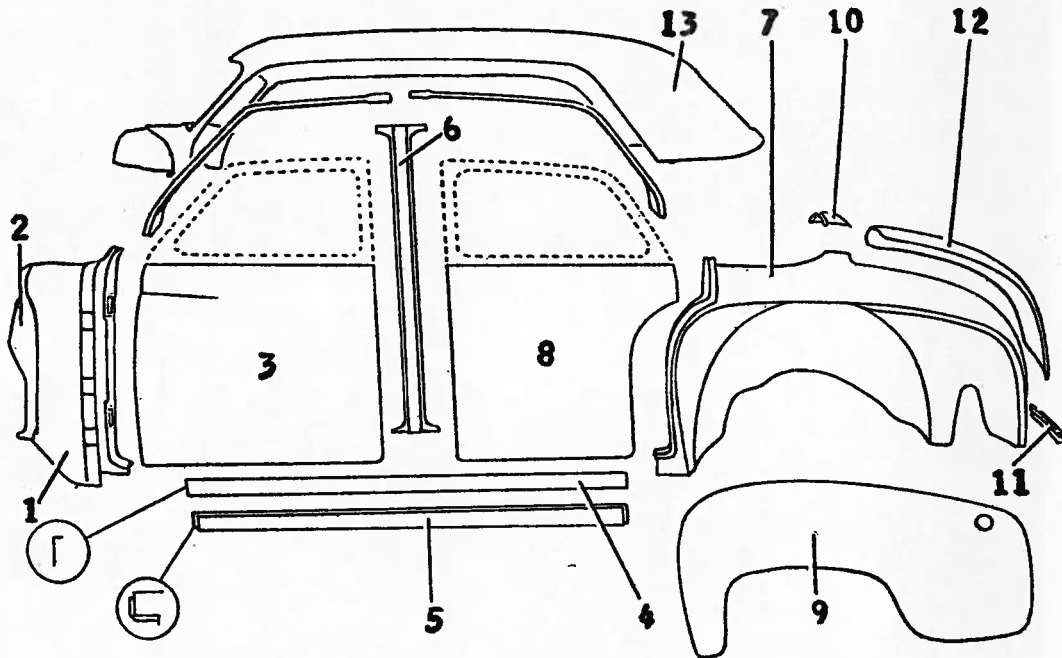
4 DOOR SEDANS

Item	Part No.	Description	Price
1	1240723	Cowl, side assy.	25.50
2	1244135	Dash panel	9.75
3	1333037	Door, repair panel	11.50
4	1240844	Body sill, inner	4.75
5	1240842	Body sill, outer	6.25
6	1243916	Center pillar assy.	8.75
7	1239062	Quarter pan. assy.	46.50
8	1309340	Rear door, rep. pan.	11.50
9	1244455	Rear fender	15.50
10	1239085	Rear deck pan., up.	5.25
11	1241831	Rr. deck pan., low.	3.50
12	1255485	Deck lid assy.	42.50
13	1239032	Roof panel assy.	97.50

TOWN AND COUNTRY CLUB CPE., CONV. CPE.

Not illustrated

Item	Part No.	Description	Price
	1247865	Cowl, up. assy., town-ctry. conv. cpe.	P.O.A.
	1307689	Cowl, up. assy., town-ctry. c. cpe.	P.O.A.
	1247809	Cowl, side assy.	19.75
	1244135	Dash panel	9.75
	1304288	Body sill, inner	7.75
	1301928	Body sill, outer	6.75
	1249699	Quarter pan., conv. cpe.	59.50
	1300446	Quarter panel, up. (Honduras)	9.00
	1300448	Quarter panel, up. (Vermillon)	9.00
	1300440	Quarter panel, low. (Honduras)	9.25
	1300442	Quarter panel, low. (Vermillon)	9.25
	1257134	Door panel, upper (Honduras)	9.75
	1257136	Door panel, upper (Vermillon)	9.75
	1257140	Door panel, lower (Honduras)	9.50
	1257142	Door panel, lower (Vermillon)	9.50
	1301911	Wheelhouse panel	38.00
	1333394	Rear fender	15.50
	1333182	Rr. deck pan., low.	7.25
	1300468	Rear panel, upper (Vermillon)	31.50
	1300469	Rear panel, upper (Honduras)	31.50
	1301167	Deck lid, low. pan. (Vermillon)	18.75
	1333253	Panel, outer center (Honduras mah.)	15.75
	1333254	Panel, outer center (Vermillon mah.)	15.75
	1333369	Deck strip, lower (Vermillon mah.)	8.00
	1333368	Deck strip, lower (Honduras mah.)	8.00
	1242722	Roof panel assy.	95.00

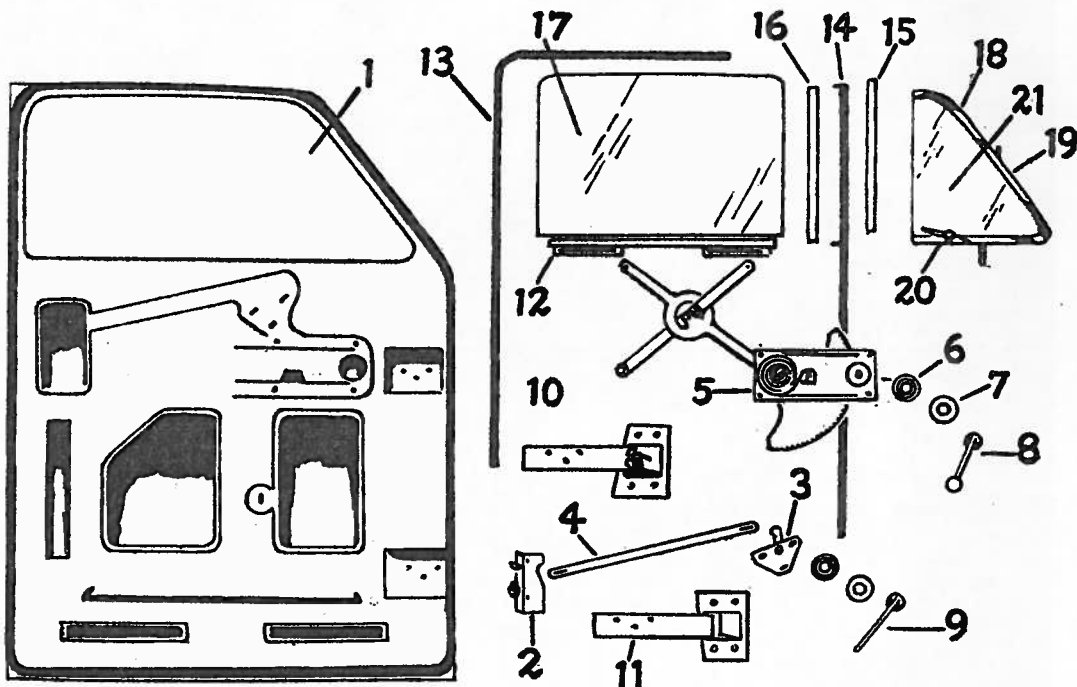


FRONT DOOR ASSEMBLY

TOWN AND COUNTRY CLUB CPE., CONV. CPE.

Not illustrated

Item	Part No.	Description	Price
1	1249763	Door, less trim hardware	57.50
2	1242694	Lock assy.	3.75
3	1296699	Remote control	1.65
4	1244137	Link65
5	1242640	Regulator assy.	4.85
6	1249651	Regulator assy.	5.75
7	1245631	Arm and pivot	1.75
8	89796	Spring06
7	1156240	Regtr. escutcheon (plastic)75
7	1304447	Remote control escutcheon	1.00
8	1256158	Regulator handle	3.85
8	901268	Remote cont. hndle.	1.30
10	1307507	Hinge, up.	3.50
11	1244188	Hinge, low.	1.75
	1247739	Glass run, rear	1.45
	1246908	Vent. division channel run	P.O.A.
	1246836	Door glass	P.O.A.
	1299908	Vent. frame assy.	8.50
	1247317	Vent. frame assy.	8.50
	1247483	W/strip	3.30
	1303792	W/strip	3.30
	1246981	Vent. glass	P.O.A.
	895030	Vent. handle70



FRONT DOOR ASSEMBLY

4 DOOR SEDANS

Item	Part No.	Description	Price	Item	Part No.	Description	Price	Item	Part No.	Description	Price
1	1300177	Door assy., less trim hardware	48.50	7	1253773	Regulator handle escutcheon45	14	1243578	Division run, chan.	3.75
2	1242694	Lock assy.	3.75	8	1253546	Regulator handle	3.85	15	1243576	Run, frt. dr. glass. P.O.A.	P.O.A.
3	1296699	Remote control	1.65	8	1256158	Regulator handle	3.85	16	1296601	Division chan., out.65
4	1244137	Link65	9	901268	Remote con. hndle.	1.30	17	1241365	Door glass	P.O.A.
5	1242640	Regulator assy.	4.85	10	1307507	Hinge, up.	3.50	18	1243568	Vent. frame assy.	2.75
6	89796	Spring06	11	1244188	Hinge, low.	1.75	19	1243523	W/strip	2.60
7	1156240	Regtr. escutcheon (plastic)75	12	1243813	Glass, low. channel	1.00	20	893689	Vent. handle60
				13	1244004	Glass run, rear	1.15	21	1243559	Vent. glass	P.O.A.

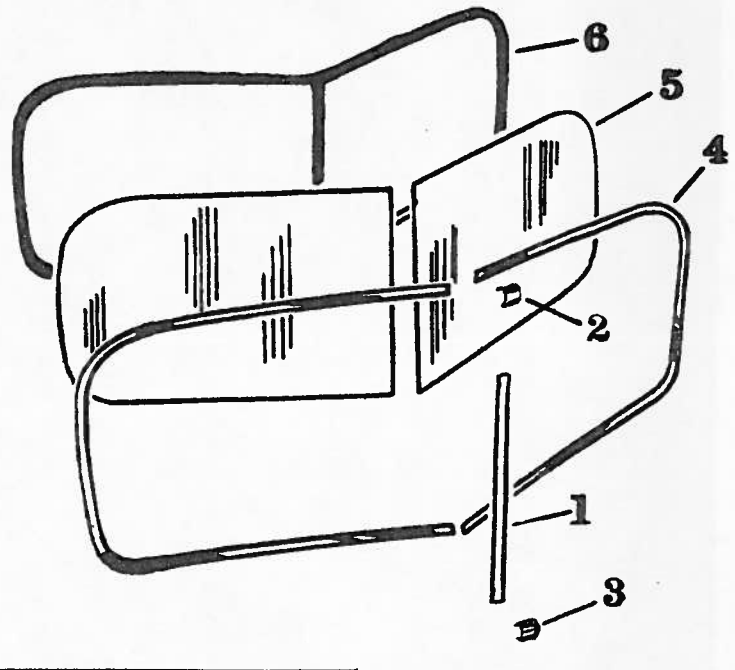
BODY PARTS 1949 CHRYSLER

Model C46. ALL BODY STYLES

CAR BODY MOULDING

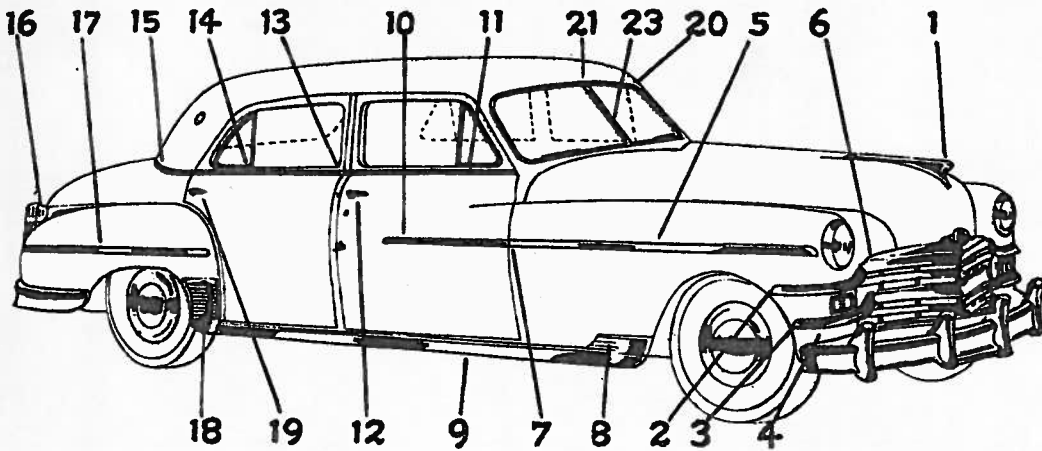
4 DOOR SEDANS		
Item Part No.	Description	Price
1	1299366—Hood top ornament	9.45
2	1298373—Midg., grille extension, up.	5.75
3	1298375—Midg., grille center on fender	6.25
4	1298377—Midg., grille lower on fender	4.75
5	1296953—Fender, side midg.	3.25
6	1299368—Front fender, hood extension	3.75
7	1301495—Fend., name plate (Saratoga)	1.25
8	1254993—Ornament, fender skirt	5.25
9	1306833—Body sill midg.	12.00
10	1297096—Front door fender extension	2.85
11	1256186—F. door belt midg.	3.50
12	1244209—Door handle assy.	3.65
13	1256189—Center pillar belt.	.80
14	1256188—Rr. door belt midg.	2.85
15	1256171—Rr. quar. belt midg.	1.75
16	1300629—Tail lamp base	9.80
17	1253717—Rear fender midg.	4.35
18	1301781—Rear fender shield	6.75
19	1244211—Rear door handle.	3.25
20	1256330—Windshield midg.	2.85
21	1256331—Clip, upper	.35
22	1256332—Clip, lower	.35
23	1243904—Division bar	3.65

Item Part No.	Description	Price
1298375	—Midg., grille center on fender	6.25
1298377	—Midg., grille low. on fender	4.75
1303057	—Fender, side midg.	11.05
1299368	—Frt. fend. hood ext.	1.75
1301496	—Fender name plate (New Yorker), conv. cpe.	1.25
1254993	—Ornament, fender skirt	5.25
1308853	—Body sill midg. (stainless steel)	10.50
1301938	—Body sill midg.	10.50
1297098	—Frt. door fend. ext.	2.85
1256173	—Door belt midg.	2.65
1296494	—Door handle assy.	3.65
1248021	—Door handle (conv. cpe.)	3.65
1303409	—Dr., outside midg., conv. cpe.	3.85
1303298	—Rear quarter belt midg., c. cpe.	1.95
1303411	—Rear quarter belt, front, conv. cpe.	1.65
1303317	—Quarter panel, outside finish	2.25
1300806	—Tail lamp base, conv. cpe.	9.80
1302956	—Tail lamp housing, c. cpe., conv. cpe.	4.75
1308519	—Rear fender midg.	6.75
1307940	—Rear fender stone shield	5.25
1303247	—Windshield midg., up. (chrome)	3.25
124847	—Windshield midg., low. (chrome)	3.25
1248850	—Clip, up. side	.65
1248851	—Clip, low. side	.65
1249340	—Division bar	3.75



TOWN AND COUNTRY CLUB CPE., CONV. CPE. Not illustrated

Item Part No.	Description	Price
1299366	—Hood, top ornament	9.45
1298373	—Midg., grille extension, up.	5.75



WINDSHIELD 4 DOOR SEDAN

Item Part No.	Description	Price
1	1243904—Division bar	3.75
1	1296861—Channel	2.45
2	1256331—Clip, up.	.35
3	1256332—Clip, low.	.35
4	1256330—Midg., outside	2.85
5	1243579—Glass	P.O.A.
6	1244038—W/strip	2.65

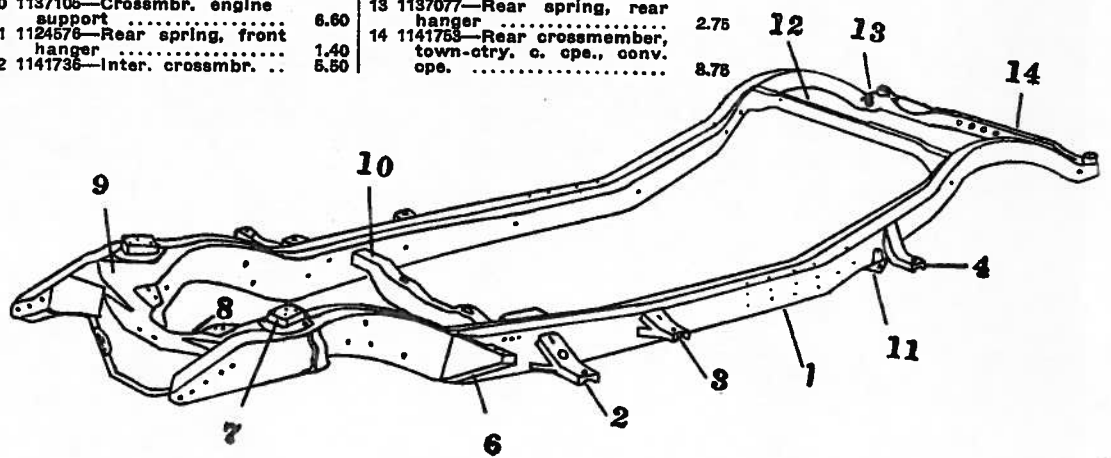
TOWN AND COUNTRY CLUB CPE., CONV. CPE. Not illustrated

Item Part No.	Description	Price
1	1249340—Division bar	3.75
1	1296861—Channel	2.45
1	1248850—Clip, up. side	.35
1	1248851—Clip, low. side	.35
2	1303488—Clip, up. (conv. cpe.)	.25
3	1303490—Clip, low. (conv. cpe.)	.25
4	1303247—Midg., outside up., chrome	6.50
4	1248847—Midg., outside low., chrome	2.85
5	1246583—Glass (conv. cpe.)	P.O.A.
6	1246584—W/strip	10.00

FRAME ASSEMBLY

4 DOOR SED. AND CLUB CPE.		
Item Part No.	Description	Price
1	1137030—Frame assy.	165.00
1	1141387—Frame, town-country c. cpe., conv. cpe.	165.00
2	1138432—Brkt., No. 2, 4-d. c. cpe.	1.75
3	1141739—Brkt., No. 3, 4-d. c. cpe.	1.85
4	1311491—Brkt., No. 4, 4-d. c. cpe.	2.25
5	1311485—Brkt., No. 5, 4-d. c. cpe.	1.10
6	1312307—Body brkt., No. 1.	3.00
1	1141379—Body brkt., No. 2, town-ctry. c. cpe., conv. cpe.	2.85
1	1139443—Body brkt., No. 3 & 4, town-ctry. c. cpe., conv. cpe.	2.50
1	1141383—Body brkt., No. 5, town-ctry. c. cpe., conv. cpe.	2.50
7	1137069—Brkt. control arm, up.	2.25
8	1312042—Sup., front cross-member	6.75
9	1137927—Crossmember, frt., No. 1	26.00

Item Part No.	Description	Price	Item Part No.	Description	Price
10	1137105—Crossmbr. engine support	6.60	13	1137077—Rear spring, rear hanger	2.75
11	1124576—Rear spring, front hanger	1.40	14	1141753—Rear crossmember, town-ctry. c. cpe., conv. cpe.	8.75
12	1141736—Inter. crossmbr.	5.50			



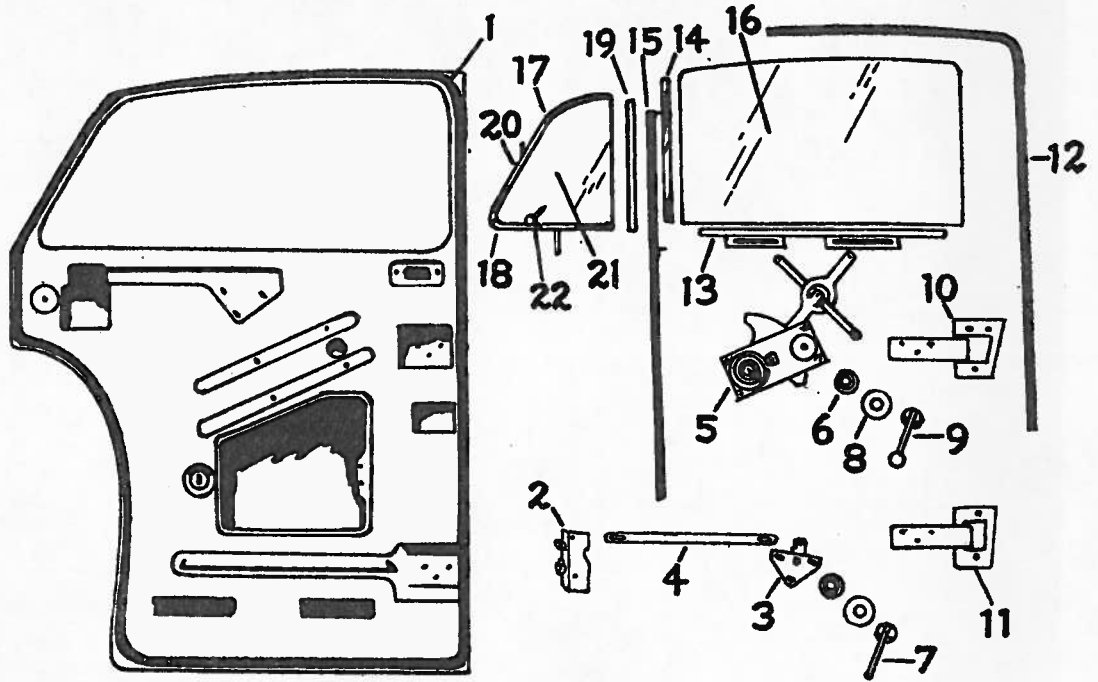
CHRYSLER 1949 BODY PARTS

Model C46. ALL BODY STYLES

REAR DOOR

4 DOOR SEDANS

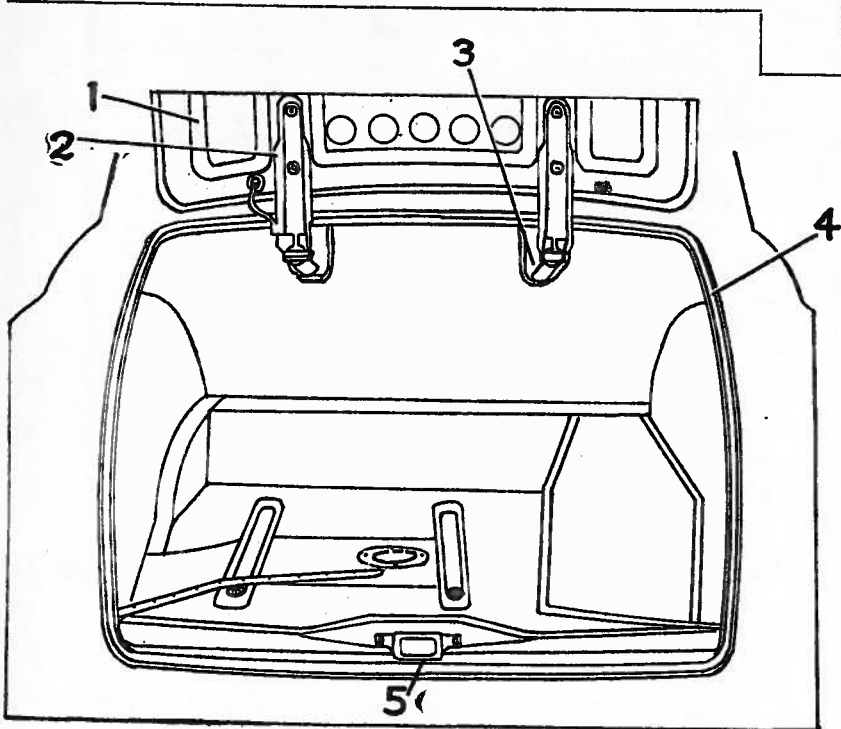
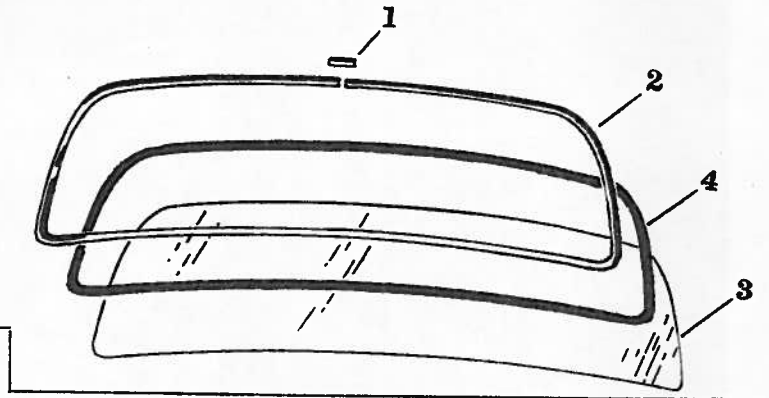
Item	Part No.	Description	Price
1	1300179	Door Assy., less trim hardware	48.50
2	1243301	Lock Assy.	2.75
3	1244248	Remote control	1.30
4	1244136	Control link	.55
4	1243305	Locking control (with link)	1.85
5	1243479	Regulator Assy.	5.85
6	89796	Spring	.06
7	901288	Remote cntrl. hdl.	1.30
8	1300189	Escutcheon	1.00
9	1253646	Regulator handle	3.85
9	1256159	Regulator handle	8.85
10	1307518	Hinge, up. Assy.	2.75
11	1244188	Hinge, low. Assy.	4.35
11	1307518	Hinge, low. Assy.	2.75
12	1243954	Glass run channel.	P.O.A.
13	1243822	Channel, low. Assy.	1.00
14	1243408	Glass run, rear	P.O.A.
15	1243401	Glass run, division channel	P.O.A.
16	1240255	Glass	P.O.A.
17	1243398	Vent. frame Assy.	2.75
18	1243378	W/strip	1.85
19	1243381	Retainer with division channel	3.75
20	1243377	W/strip	1.85
21	1243394	Vent. glass	P.O.A.
22	893669	Vent. handle	.50



BACK WINDOW

4 DOOR SEDAN

Item	Part No.	Description	Price
1	1256394	Clip, window joint	.35
2	1256333	Moldg., outside	3.75
3	1240326	Glass	P.O.A.
4	1244089	W/strip	3.85



REAR DECK

4 DOOR SEDAN

Item	Part No.	Description	Price
1	1299485	Deck lid Assy.	...
2	1241466	Hinge Assy.	1.85
3	1242717	Spring Assy.	2.65
4	1244478	W/strip	4.65
5	1299663	Lid catch	.40
	1254997	Deck lock	...

CLUB COUPE

Item	Part No.	Description	Price
1	12995485	Deck lid Assy.	...
2	1257088	Hinge Assy.	1.85
3	1239087	Spring Assy.	2.65
4	1244478	W/strip	4.65
5	1299663	Lid catch	.40
	1254997	Deck lock	...

TOWN AND COUNTRY CLUB CPE., CONV. CPE.

Not illustrated

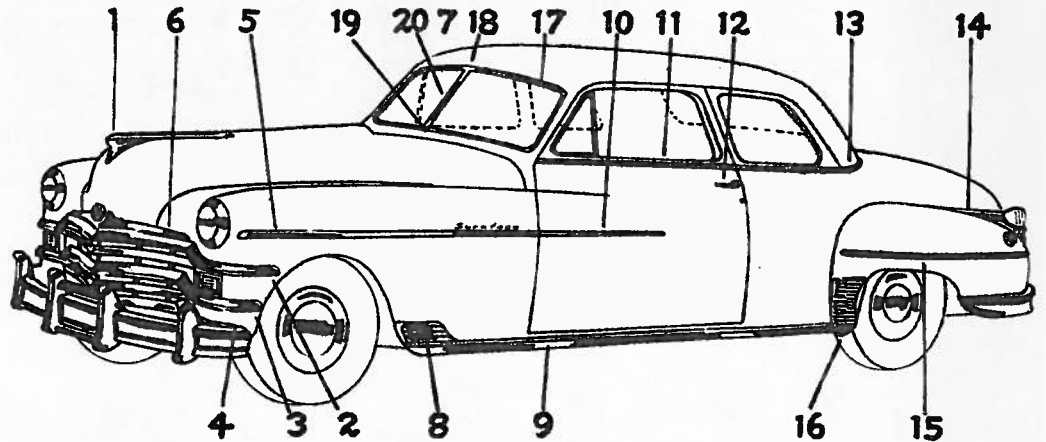
Item	Part No.	Description	Price
	1933369	Strip, low. (Vermillion mah.)	8.00
	1933368	Strip, low. frame (Honduras mah.)	8.00
	1301218	W/strip deck bottom	2.25
	1301217	W/strip, side	4.75
	1302094	Hinge Assy. (white)	1.95
	1306496	Bracket Assy.	3.50
	1333371	Deck lock remote control	2.75
	1807830	Lid prop. brkt.	.70
	1307835	Lid prop. Assy.	3.50
	1333320	Striker lid lock	1.75

BODY PARTS 1949 CHRYSLER

Model C46. ALL BODY STYLES

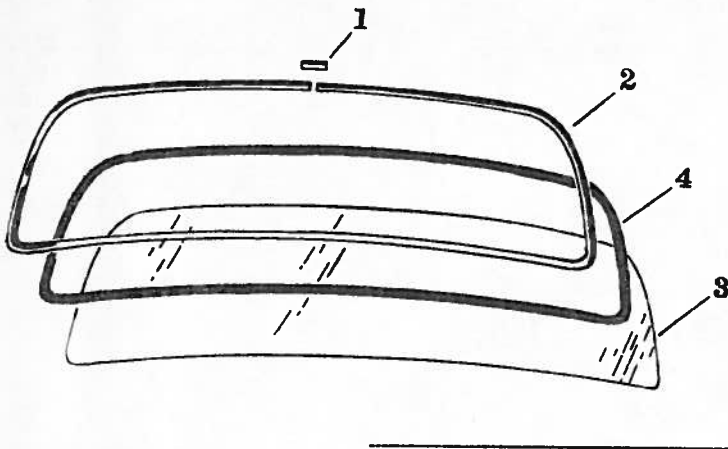
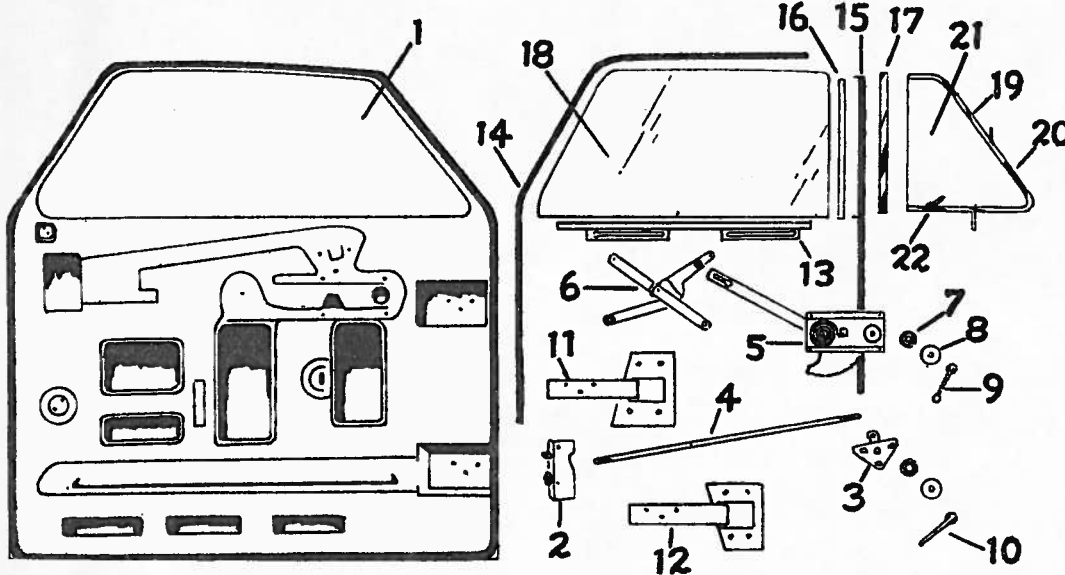
CAR BODY MOULDING CLUB COUPE

Item Part No.	Description	Price
1	1299366—Hood, top ornamt.	9.45
2	1298373—Mldg., grille extension, up.	5.75
3	1298376—Mldg., grille center on fender	6.25
4	1298377—Mldg., grille low. on fender	4.75
5	1298363—Fender, side midg.	3.25
6	1298368—Front fender hood extension	3.75
7	1301495—Fend. name plate (Saratoga)	1.25
8	1254993—Ornament, fender skirt	5.25
9	1308833—Body all midg.	12.00
10	1297088—Front door fender extension	2.85
11	1256173—Door belt midg.	1.75
12	1252848—Door handle assy.	3.50
13	1256175—Rear quarter belt.	2.95
14	1300629—Tail lamp base	9.80
15	1308519—Rear fender midg.	10.15
16	1301781—Rear fender stone shield	6.75
17	1256330—Windshield midg.	2.85
18	1256331—Clip, up.	.35
19	1256332—Clip, low.	.35
20	1243904—Division bar	3.25



DOOR ASSEMBLY CLUB COUPE

Item Part No.	Description	Price
1	1300181—Door, less trim hardware	51.50
2	1242694—Look assy.	3.75
3	1296889—Remote control	1.85
4	1244139—Link	.85
5	1296548—Regulator assy.	4.85
6	1242993—Arm and pivot	1.75
7	89796—Spring	.06
8	1188240—Regitr. escutcheon (plastic)	.75
8	1283773—Regulator handle escutcheon	.45
9	1258158—Regulator handle	3.85
10	901268—Remote cont. handle	1.50
11	1307507—Hinge, up.	3.50
12	1244188—Hinge, low.	1.75
13	1243397—Glass, low. chan.	P.O.A.
14	1243339—Glass run, rear	1.40
15	1243578—Division run chan.	3.75
16	1244048—Run, door glass assy.	P.O.A.
17	1296601—Division chan., out.	.55
18	1240683—Door glass	P.O.A.
19	1243563—Vent. frame assy.	4.00
20	1243523—W/strip	2.60
21	1243556—Vent. glass	P.O.A.
22	893669—Vent. handle	.60

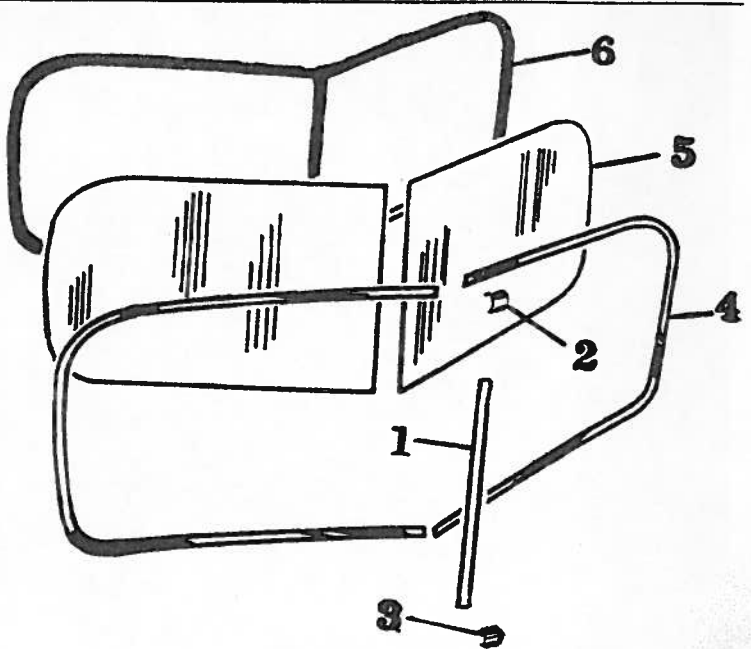


BACK WINDOW CLUB COUPE

Item Part No.	Description	Price
1	1256334—Clip, window joint	35.35
2	1256333—Mldg., outside	3.75
3	1240447—Glass	1.00
3	1301219—Glass, town-country c. cpe.	P.O.A.
4	1801354—W/strip, town-country c. cpe.	3.65

WINDSHIELD CLUB COUPE

Item Part No.	Description	Price
1	1243904—Division bar	.06
1	1296561—Channel	2.45
2	1256331—Clip, up.	.35
3	1256332—Clip, low.	.35
4	1256330—Mldg., out. side	2.85
5	1243578—Glass	P.O.A.
6	1244038—W/strip	2.65

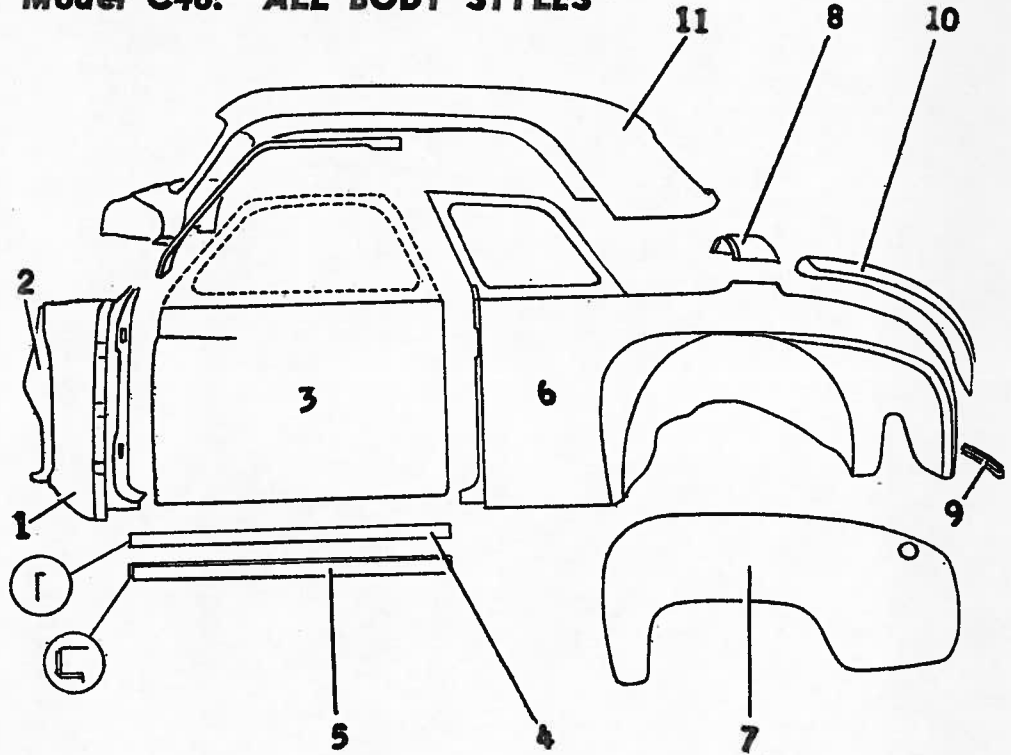


CHRYSLER 1949 BODY PARTS

Model C46. ALL BODY STYLES

SHEET METAL CLUB COUPE

Item Part No.	Description	Price
1	1240723—Cowl, side assy...	25.50
2	1244135—Dash panel	9.75
3	1333039—Door, repair panel	11.75
4	1240644—Body sill, inner ..	4.75
5	1240646—Body sill, outer ..	6.25
6	1239070—Quarter pan. assy.	56.50
7	1244455—Rear fender	15.50
8	1239086—Rr. deck pan., up.	4.25
9	1241931—Rr. deck pan., low.	3.50
10	1255485—Deck lid assy.	47.50
11	1308748—Roof, repair panel	33.50
11	1242722—Roof panel assy...	95.00



REAR QUARTER WINDOW

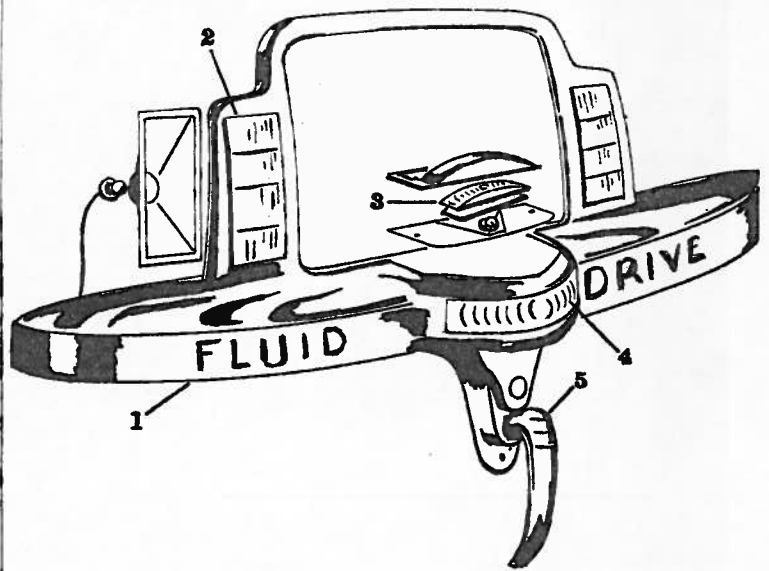
TOWN AND COUNTRY CLUB CPE., CONV. CPE.

Not illustrated

Item Part No.	Description	Price
1301512	—Frame assy.	19.75
1307551	—Window guide run	.30
1308742	—Channel, low. assy.	1.75
1248073	—W/strip, low. chan.	1.25
1248139	—W/strip, up.	1.10
1248279	—Guide assy.	1.35
1301485	—Guide assy.	1.35
1248676	—Regulator assy.	3.75
1256168	—Regulator handle.	3.85
1304447	—Escutcheon	1.00
1246871	—Glass	P.O.A.

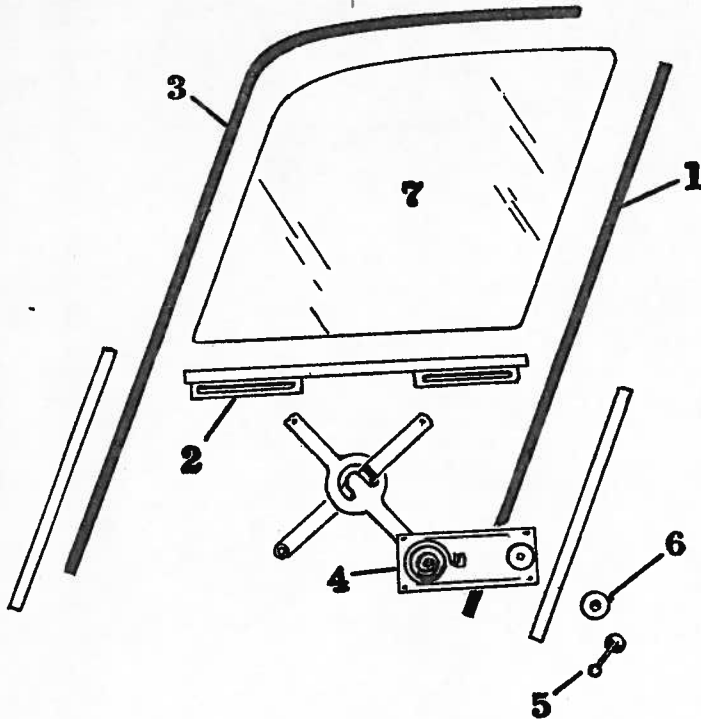
CLUB COUPE

Item Part No.	Description	Price
1	1244140—Glass run	3.50
2	1240656—Channel, low. assy.	1.30
3	1240649—Channel run, front	1.00
4	1242962—Regulator assy. ...	5.85
	1256337—Spring50
5	1253546—Regitr. hndle. assy.	3.75
6	1256159—Regitr. hndle. assy.	3.70
6	1253773—Escutcheon45
7	1240653—Glass	P.O.A.



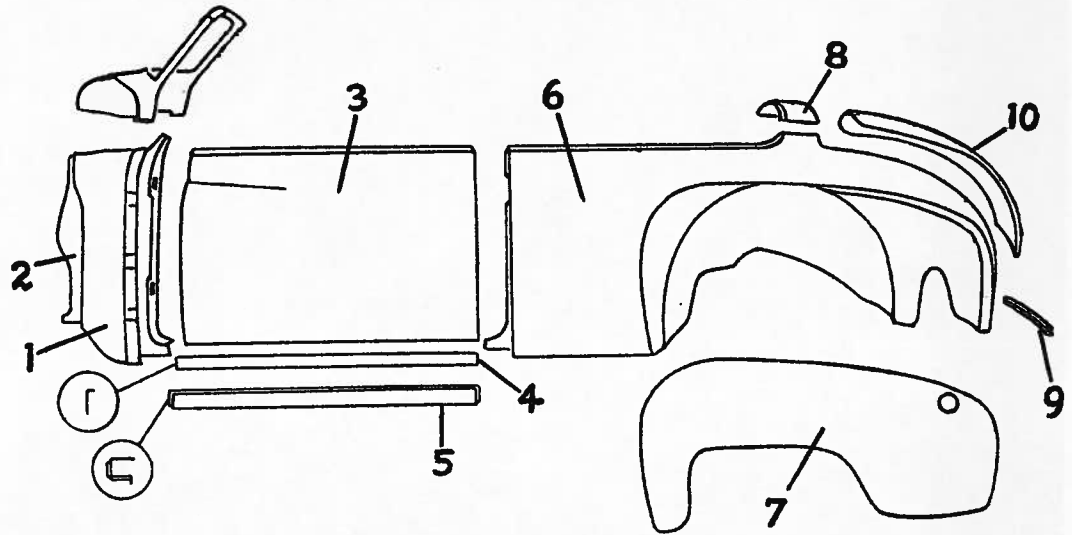
STOP AND LICENSE LAMP

Item Part No.	Description	Price
1	1310586—Shell, town-ctry. o. cpe., conv. cpe.	18.60
2	1253308—Side lens	1.25
	1253309—Gasket15
	1302836—License brkt.40
	1314103—Lic. clamp, up.40
	1314104—Clamp, low.40
3	1253314—Lens center, top..	.65
4	1253318—Lens, front65
5	1253026—Handle	3.25



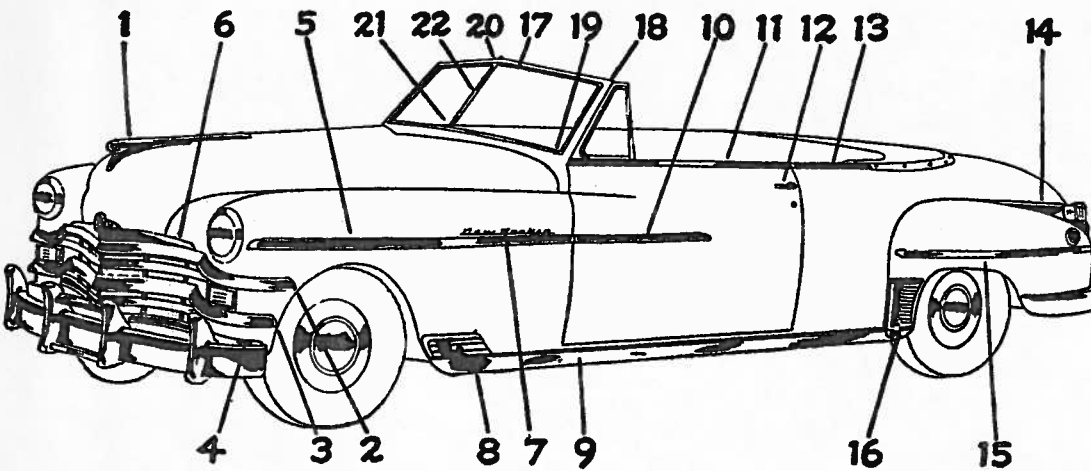
BODY PARTS 1949 CHRYSLER

Model C46. ALL BODY STYLES



SHEET METAL CONVERTIBLE COUPE

Item	Part No.	Description	Price
1	1248831	Cowl, side assy. . .	6.50
2	1244185	Dash panel	9.75
3	1246877	Door, repair panel	12.75
4	1304288	Body sill, inner . . .	7.75
5	1249387	Body sill, outer . . .	8.95
6	1249688	Quarter panel assy.	74.50
7	1333394	Rear fender	15.50
8	1248422	Deck pan., up. assy.	9.75
9	1241331	Deck panel, low. . . .	3.50
10	1303166	Deck lid assy.	36.50

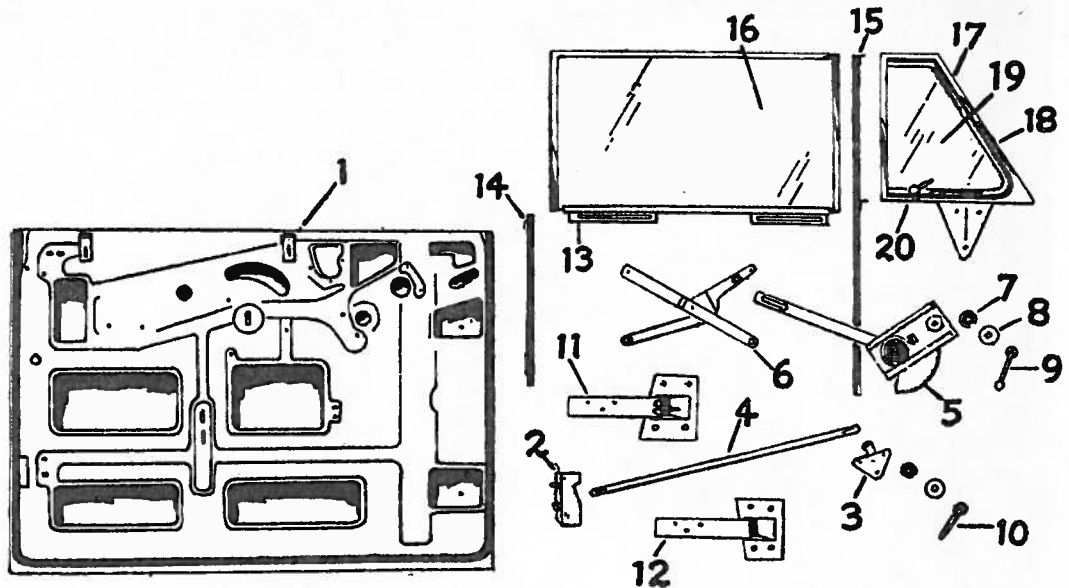


DOOR ASSEMBLY CONVERTIBLE COUPE

Item	Part No.	Description	Price
1	1249763	Door, less trim hardware	57.50
2	1242694	Lock assy.	3.75
3	1296889	Remote control	1.65
4	1244139	Link65
5	1249681	Regulator assy.	5.75
6	1245631	Arm and pivot	1.75
7	89796	Spring06
8	1156240	Regltr. escutcheon (plastic)75
8	1304447	Remote control escutcheon	1.00
9	1258158	Regulator handle. . . .	3.85
10	801288	Remote cont. handle. . .	1.30
11	1307507	Hinge, up.	3.50
12	1244188	Hinge, low.	1.75
13	1243947	Glass, low. chan.	P.O.A.
13	1248835	Glass, low. chan.	3.75
14	1247739	Glass run, rear	1.48
15	1246908	Vent. division channel run	P.O.A.
16	1246836	Door glass	P.O.A.
17	1246885	Vent. frame assy.	8.50
17	1247317	Vent. frame assy.	3.50
18	1247483	W/strip	3.50
18	1303782	W/strip	3.50
19	1246981	Vent. glass	P.O.A.
20	895030	Vent. handle70

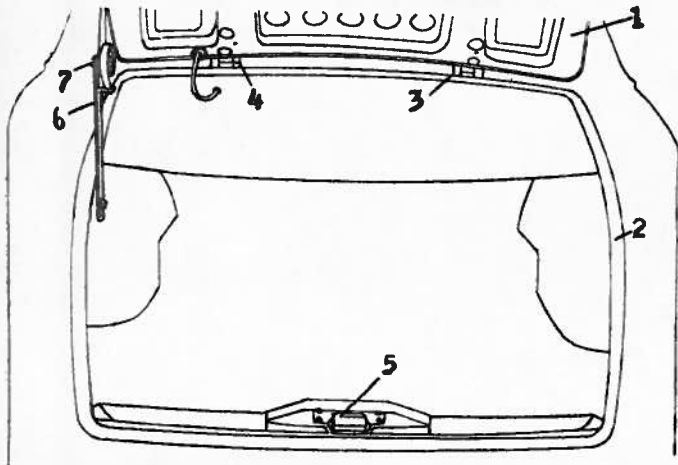
CAR BODY Moulding CONVERTIBLE COUPE

Item	Part No.	Description	Price
1	1299366	Hood, top ornamnt. . . .	9.45
2	1298367	Midg., grille extension, up.	5.75
3	1298369	Midg., cent. on fen. . . .	5.75
4	1298371	Midg., grille, low.	4.75
5	1256517	Midg., fender, side (early)	3.25
5	1244489	Midg., fender, side (late)	3.25
6	1299368	Frt. fend. hood ext.	3.75
7	1301493	Fender name plate	1.25
8	1254988	Ornament, fender skirt	5.25
9	1308851	Body sill midg.	1.15
10	1252850	Frt. door fen. ext., C-45-W	1.75
11	1258173	Door belt midg.	1.75
12	1248021	Door handle assy.	3.25
13	1303302	Door outside midg.	2.75
13	1303285	Rear quarter panel midg.	4.50
13	1303317	Quarter pan. midg., front	2.25
14	1300638	Tail lamp base	9.80
15	1298004	Rear fender midg.	4.25
15	1301519	Rear fender stone shield	6.75
17	1303247	Windshield midg., upper	6.80
18	1248850	Clip, up. side
19	1248851	Clip, low. side
20	1303488	Clip, up.25
21	1303490	Clip, low.25
22	1249340	Division bar	3.75



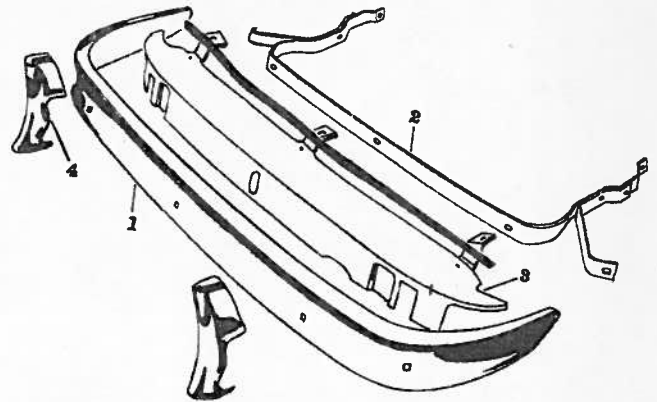
CHRYSLER 1949 BODY PARTS

Model C46. ALL BODY STYLES



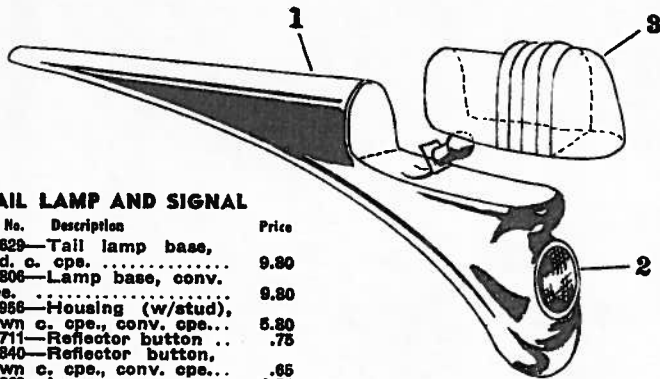
REAR DECK CONVERTIBLE COUPE

Item Part No.	Description	Price	Item Part No.	Description	Price
1 1803166	Deck lid assy.	36.50	5 1299663	Lid catch40
2 1244478	W/strip	4.85	6 1303546	Lid prop. brkt. arm ..	.45
3 1303189	Hinge assy.	4.50	7 1303542	Lid prop. assy.	3.95
4 1303194	Pin lid hinge15	1256025	Plate, lid name ..	2.45



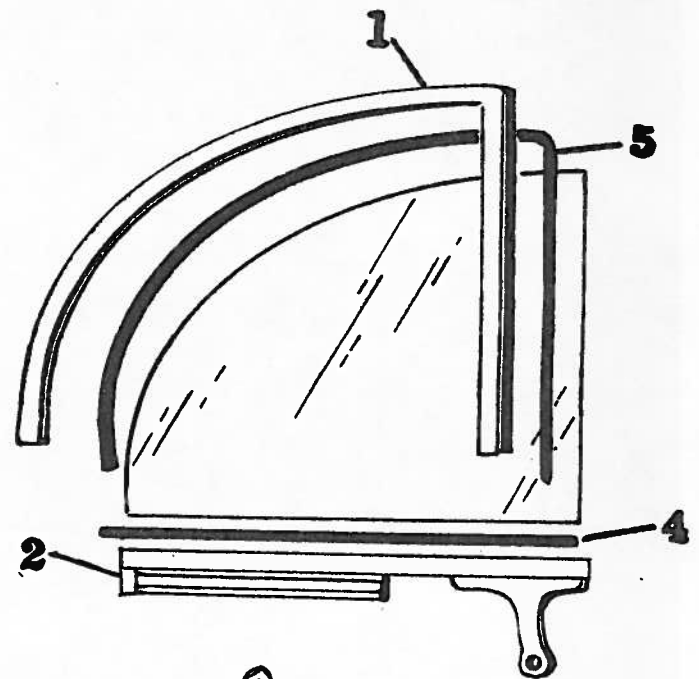
REAR BUMPER

Item Part No.	Description	Price	Item Part No.	Description	Price
1 1313108	Face bar, 4-d. c. cpe., conv. cpe.	25.50	2 1137796	Sup. bar (4-d. c. cpe., conv. cpe)	5.75
1 1314636	Face bar, town and country	25.50	3 1254063	Stone deflector, 4-d. c. cpe., conv. cpe.	6.05
1 1315917	Face bar, out. left	21.50	4 1312534	Buffer plate	P.O.A.
1 1315914	Face bar, cen. assy.	35.75			



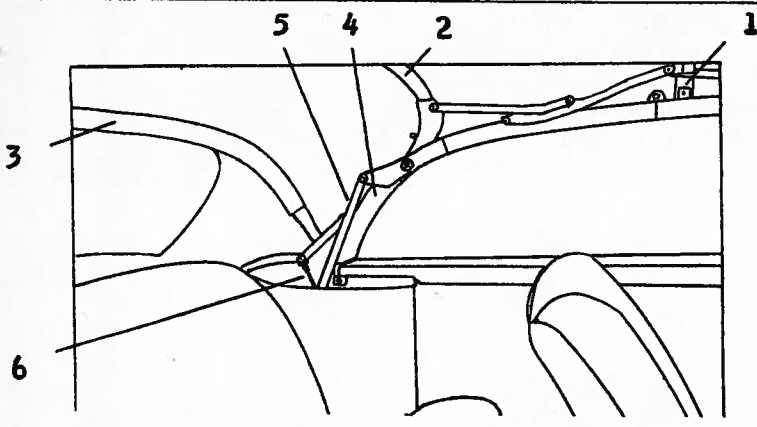
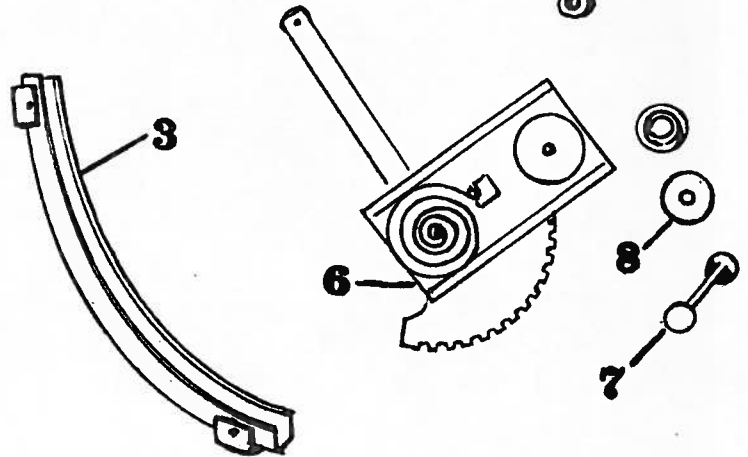
TAIL LAMP AND SIGNAL

Item Part No.	Description	Price
1 1300629	Tail lamp base, 4-d. c. cpe.	9.80
1 1300806	Lamp base, conv. cpe.	9.80
1302986	Housing (w/stud), town c. cpe., conv. cpe.	5.80
2 1300711	Reflector button ..	.75
2 1300840	Reflector button, town c. cpe., conv. cpe.65
3 1300889	Lens	2.55
3 1302986	Lens	1.45



REAR QUARTER WINDOW CONVERTIBLE COUPE

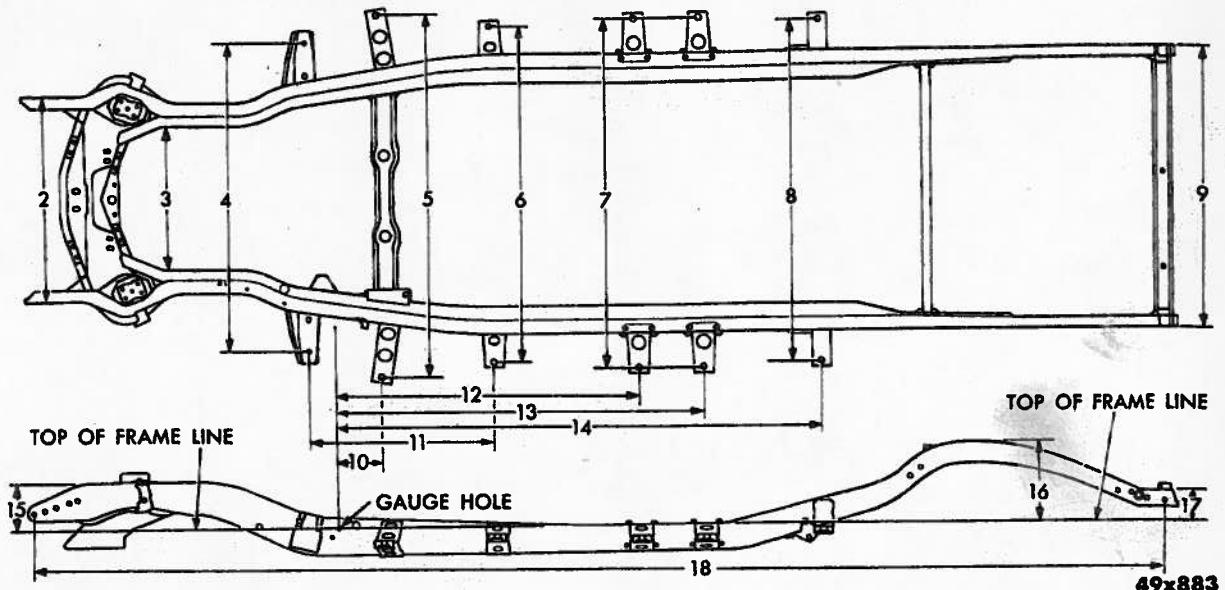
Item Part No.	Description	Price
1 1248779	Frame assy.	3.25
2 1307551	Window guide run	.30
2 1249081	Channel, low. assy.	1.30
3 1247546	Sup. low. channel	1.10
4 1248073	W/strip, low. chan.	1.25
5 1248035	W/strip, up.	1.10
5 1248139	W/strip, up.	1.10
6 1248279	Guide assy.	1.35
6 1248575	Regulator assy.	3.75
7 1256159	Regulator handle.	3.85
8 1304447	Escutcheon	1.00
1246871	Glass	P.O.A.



CONVERTIBLE FOLDING TOP

Item Part No.	Description	Price
1a 1291406	Folding top complete	P.O.A.
1 1245261	Bow, No. 1	2.85
2 1245267	Bow, No. 2	2.85
3 1248960	Rear bow assy.	6.85
4 1248236	Pillar	18.50
5 1246335	Prop., main control (white)	1.50
6 1246516	Cylinder (includes yoke)	12.75

CHRYSLER 1949 thru 1952 FRAME



Frame Alignment (Dimensions given in inches)

	C-45, C-48			C-45		C-48		C-45, C-48				C-45		C-48		C-46, C-49			C-47, C-50
	Standard 3-Speed Transmission			Standard 3-Speed Transmission		Prestomatic Transmission				Prestomatic Transmission		C-46, C-49			C-47, C-50				
	4-Door Sedan Club Coupe	8-Pass. Sedan	Conv. Coupe	Station Wagon	Station Wagon	4-Door Sedan Club Coupe	8-Pass. Sedan	Town Sedan	Conv. Coupe	Station Wagon	Station Wagon	4-Door Sedan Club Coupe	Town and Country	Conv. Coupe	Crown Imperial				
2	31 $\frac{1}{2}$	31 $\frac{1}{2}$	31 $\frac{1}{2}$	31 $\frac{1}{2}$	31 $\frac{1}{2}$	31 $\frac{1}{2}$	31 $\frac{1}{2}$	31 $\frac{1}{2}$	31 $\frac{1}{2}$	31 $\frac{1}{2}$	31 $\frac{1}{2}$	31 $\frac{1}{2}$	31 $\frac{1}{2}$	31 $\frac{1}{2}$	31 $\frac{1}{2}$	31 $\frac{1}{2}$			
3	22	22	22	22	22	22	22	22	22	22	22	22	22	22	22	22			
4	50	50 $\frac{1}{2}$	50	50	50	50	50 $\frac{1}{2}$	50	50	50	50	50	50	50	50	50 $\frac{1}{2}$			
5	55 $\frac{1}{2}$	55 $\frac{1}{2}$	56	55 $\frac{1}{2}$	55 $\frac{1}{2}$	55 $\frac{1}{2}$	55 $\frac{1}{2}$	55 $\frac{1}{2}$	56	55 $\frac{1}{2}$	55 $\frac{1}{2}$	55 $\frac{1}{2}$	56 $\frac{1}{2}$	56 $\frac{1}{2}$	56 $\frac{1}{2}$	56 $\frac{1}{2}$			
6	52	52	54 $\frac{1}{2}$	52	52	52	52	52 $\frac{1}{2}$	54 $\frac{1}{2}$	52	52	52 $\frac{1}{2}$	54 $\frac{1}{2}$	54 $\frac{1}{2}$	54 $\frac{1}{2}$	52 $\frac{1}{2}$			
7	54 $\frac{1}{2}$	53 $\frac{1}{2}$	—	54 $\frac{1}{2}$	54 $\frac{1}{2}$	54 $\frac{1}{2}$	53 $\frac{1}{2}$	54 $\frac{1}{2}$	—	54 $\frac{1}{2}$	54 $\frac{1}{2}$	54 $\frac{1}{2}$	—	—	—	53 $\frac{1}{2}$			
8	53	52 $\frac{1}{2}$	53	53	53	53	52 $\frac{1}{2}$	53 $\frac{1}{2}$	53	53	53	53 $\frac{1}{2}$	53 $\frac{1}{2}$	53 $\frac{1}{2}$	53 $\frac{1}{2}$	52 $\frac{1}{2}$			
9	43 $\frac{1}{2}$	50 $\frac{1}{2}$	43 $\frac{1}{2}$	43 $\frac{1}{2}$	43 $\frac{1}{2}$	43 $\frac{1}{2}$	50 $\frac{1}{2}$	43 $\frac{1}{2}$	43 $\frac{1}{2}$	43 $\frac{1}{2}$	43 $\frac{1}{2}$	43 $\frac{1}{2}$	43 $\frac{1}{2}$	43 $\frac{1}{2}$	43 $\frac{1}{2}$	50 $\frac{1}{2}$			
10	7 $\frac{1}{2}$	7 $\frac{1}{2}$	7 $\frac{1}{2}$	7 $\frac{1}{2}$	7 $\frac{1}{2}$	7 $\frac{1}{2}$	7 $\frac{1}{2}$	7 $\frac{1}{2}$	7 $\frac{1}{2}$	7 $\frac{1}{2}$	7 $\frac{1}{2}$	7 $\frac{1}{2}$	7 $\frac{1}{2}$	7 $\frac{1}{2}$	7 $\frac{1}{2}$	7 $\frac{1}{2}$			
11	25 $\frac{1}{2}$	25 $\frac{1}{2}$	28	25 $\frac{1}{2}$	25 $\frac{1}{2}$	25 $\frac{1}{2}$	25 $\frac{1}{2}$	25 $\frac{1}{2}$	28	25 $\frac{1}{2}$	25 $\frac{1}{2}$	25 $\frac{1}{2}$	25 $\frac{1}{2}$	28	28	25 $\frac{1}{2}$			
12	47 $\frac{1}{2}$	51 $\frac{1}{2}$	57 $\frac{1}{2}$	47 $\frac{1}{2}$	47 $\frac{1}{2}$	47 $\frac{1}{2}$	51 $\frac{1}{2}$	47 $\frac{1}{2}$	57 $\frac{1}{2}$	47 $\frac{1}{2}$	47 $\frac{1}{2}$	47 $\frac{1}{2}$	47 $\frac{1}{2}$	57 $\frac{1}{2}$	57 $\frac{1}{2}$	51 $\frac{1}{2}$			
13	57 $\frac{1}{2}$	70 $\frac{1}{2}$	—	57 $\frac{1}{2}$	57 $\frac{1}{2}$	57 $\frac{1}{2}$	70 $\frac{1}{2}$	—	—	57 $\frac{1}{2}$	57 $\frac{1}{2}$	57 $\frac{1}{2}$	—	—	—	70 $\frac{1}{2}$			
14	75 $\frac{1}{2}$	80 $\frac{1}{2}$	77 $\frac{1}{2}$	75 $\frac{1}{2}$	75 $\frac{1}{2}$	75 $\frac{1}{2}$	80 $\frac{1}{2}$	75 $\frac{1}{2}$	77 $\frac{1}{2}$	75 $\frac{1}{2}$	75 $\frac{1}{2}$	75 $\frac{1}{2}$	77 $\frac{1}{2}$	77 $\frac{1}{2}$	77 $\frac{1}{2}$	80 $\frac{1}{2}$			
15	7 $\frac{1}{2}$	7 $\frac{1}{2}$	7 $\frac{1}{2}$	7 $\frac{1}{2}$	7 $\frac{1}{2}$	7 $\frac{1}{2}$	7 $\frac{1}{2}$	7 $\frac{1}{2}$	7 $\frac{1}{2}$	7 $\frac{1}{2}$	7 $\frac{1}{2}$	7 $\frac{1}{2}$	7 $\frac{1}{2}$	7 $\frac{1}{2}$	7 $\frac{1}{2}$	7 $\frac{1}{2}$			
16	12 $\frac{1}{2}$	12 $\frac{1}{2}$	12 $\frac{1}{2}$	12 $\frac{1}{2}$	12 $\frac{1}{2}$	12 $\frac{1}{2}$	12 $\frac{1}{2}$	12 $\frac{1}{2}$	12 $\frac{1}{2}$	12 $\frac{1}{2}$	12 $\frac{1}{2}$	12 $\frac{1}{2}$	12 $\frac{1}{2}$	12 $\frac{1}{2}$	12 $\frac{1}{2}$	12 $\frac{1}{2}$			
17	4 $\frac{1}{2}$	4 $\frac{1}{2}$	4 $\frac{1}{2}$	—	—	—	4 $\frac{1}{2}$	4 $\frac{1}{2}$	4 $\frac{1}{2}$	—	—	—	4 $\frac{1}{2}$	4 $\frac{1}{2}$	4 $\frac{1}{2}$	4 $\frac{1}{2}$			
18	178 $\frac{1}{2}$	180 $\frac{1}{2}$	178 $\frac{1}{2}$	178 $\frac{1}{2}$	178 $\frac{1}{2}$	178 $\frac{1}{2}$	180 $\frac{1}{2}$	182 $\frac{1}{2}$	178 $\frac{1}{2}$	178 $\frac{1}{2}$	178 $\frac{1}{2}$	182 $\frac{1}{2}$	180 $\frac{1}{2}$	182 $\frac{1}{2}$	180 $\frac{1}{2}$	180 $\frac{1}{2}$			

*± $\frac{1}{16}$ **± $\frac{1}{8}$ †± $\frac{1}{16}$

	C-51				C-51				C-52, C-54			C-53
	Standard 3-Speed Transmission				Fluid-Matic Drive Transmission				Standard Fluid-Matic Drive Transmission			Standard Fluid-Torque Drive Transmission
	4-Door Sedan Club Coupe	8-Passenger Sedan Limo.	Conv. Coupe Newport	T and C Station Wagon	4-Door Sedan Limo. Traveler	8-Passenger Sedan Limo.	Conv. Coupe Newport	T and C Station Wagon	4-Door Sedan Club Coupe	Conv. Coupe Newport	8-Passenger Imperial	
2	31-1/4	31-27/32	31-3/4	31-3/4	31-3/4	31-27/32	31-3/4	31-3/4	31-13/16	31-13/16	31-7/8	
3	23-1/2	23-1/2	23-1/2	23-1/2	23-1/2	23-1/2	23-1/2	23-1/2	23-1/2	23-1/2	23-1/2	
4	50	50-1/32	50	50	50	50-1/32	50	50	50	50	50-1/16	
5	55-5/8	55-21/32	56	55-5/8	55-5/8	55-21/32	56	55-5/8	55-11/16	56-1/16	55-1/16	
6	52	52	54-7/16	52	52	52	54-7/16	52	54-1/4	54-1/4	53-3/4	
7	54-1/4	53-23/32	—	54-1/4	54-1/4	53-23/32	—	54-1/4	54-5/16	54-5/16	53-3/4	
8	53	56-27/32	53	53	53	56-27/32	53	53	53-1/16	53-1/16	56-7/8	
9	49-1/2	50-7/32	43-1/2	43-9/16	43-1/2	50-7/32	43-1/2	43-11/16†	43-9/16	43-9/16	50-1/4	
10	7-1/16	7-1/16	7-1/16	7-1/16	7-1/16	7-1/16	7-1/16	7-1/16	7-1/16	7-1/16	8-3/16	
11	25-1/2	25-1/2	28	25-1/2	25-1/2	25-1/2	28	25-1/2	25-1/2	28	27-1/2	
12	47-1/8	51-1/4	57-1/8	47-1/8	47-1/8	47-1/8	51-1/4	47-1/8	47-1/8	47-1/8	53-1/4	
13	57-1/8	70-7/16	—	57-1/8	57-1/8	70-7/16	—	57-1/8	57-1/8	57-1/8	72-7/16	
14	75-3/4	89-11/16	77-1/4	75-3/4	75-3/4	89-11/16	77-1/4	75-3/4	75-3/4	75-3/4	91-11/16	
15	7-9/16*	7-39/64*	7-9/16*	7-9/16*	7-9/16*	7-39/64*	7-9/16*	7-9/16*	7-9/16*	7-9/16*	7-5/8*	
16	12-3/32*	12-3/32*	12-3/32*	12-3/32*	12-3/32*	12-3/32*	12-3/32*	12-3/32*	12-3/32*	12-3/32*	12-3/32*	
17	4-13/32*	4-13/32*	4-13/32*	—	—	4-13/32*	—	—	—	—	4-13/32*	
18	176-1/8	180-1/8	176-1/8	176-1/8	176-1/8	180-1/8	176-1/8	176-1/8	182-1/8	182-1/8	186-1/8	

FLAT RATE 1949 CHRYSLER

Model C46. ALL BODY STYLES

Chilton Job No.	Chilton Labor Price	Chilton Job No.	Chilton Labor Price	Chilton Job No.	Chilton Labor Price	Chilton Job No.	Chilton Labor Price	Chilton Job No.	Chilton Labor Price	Chilton Job No.	Chilton Labor Price	Chilton Job No.	Chilton Labor Price	Chilton Job No.	Chilton Labor Price
A		A—continued		A—continued		B—continued		C—continued		D		E—continued		E—continued	
1.....	2.00	7.....	2.00	20x.....	10.00	9.....	3.....	15.00	1.....	2.50	2.....	22.00	12.....	12.00
2.....	3.50	8.....	1.00			10.....	4.....	1.50	1a.....	3.00	3.....	15.00	13.....	15.00
3.....	4.00	9.....	3.50	B		11.....	2.50	5.....	2.50	2.....	1.75	4.....	15.00	14.....	105.00
4.....	6.00	10.....	1.....	4.50	12.....	3.00	6.....	2.50	3.....	2.25	5.....	15.....	95.00
4a.....	11.....	3.00	1a.....	4.50	13.....	7.....	4.....	12.00	6.....	16.....	85.00
4b.....	2.50	12.....	3.00	2.....	10.50	14.....	8.....	3.50	5.....	7.50	7.....	7.50	17.....	85.00
4c.....	4.50	13.....	1.50	3.....	15.00	15.....	9.....	6.....	8.....	18.....	13.00
5.....	5.75	14.....	4.....	1.50	16.....	10.....	7x.....	9.....	19.....	12.00
5a.....	3.00	15.....	.75	5.....	2.50	17.....	11.....	2.50	18.....	8.50	10.....		
5b.....	3.50	16.....	6.....	1.50	18.....	12.....	3.00	20.....	4.00	9.....	60.00		
5c.....	8.00	17.....	1.25	7.....	2.50			13.....			8x.....	70.00		
5d.....	8.00	18.....	8.00	8.....	2.50	C		14.....	2.50	E		9y.....	65.00	F	
6.....	12.00	19.....	9.....	3.50	1.....	4.50	15.....	1.....	87.00	10.....	35.00	1.....	3.75
		20.....	8.00	10.....	1a.....	4.50	16.....			11.....	37.00	1a.....	5.00
				11.....	2.....	9.50	17.....	1.50						1.50

STEERING GEOMETRY

CASTER: 1 degree to 3 degree negative. 2 degree negative preferred.

CAMBER: Zero degree to 3/4 degree positive. Note — left side 1/4 degree to 1/2 degree higher than right side.

TOE-IN: Zero degree to 1/16 positive. Zero preferred.

KING PIN INCLINATION: 4 3/4 degree to 6 degree.

ALL MODELS

CAMBER: is controlled by turning eccentric upper support bushing until correct adjustment is secured.

CASTER: Factory says not adjustable.

