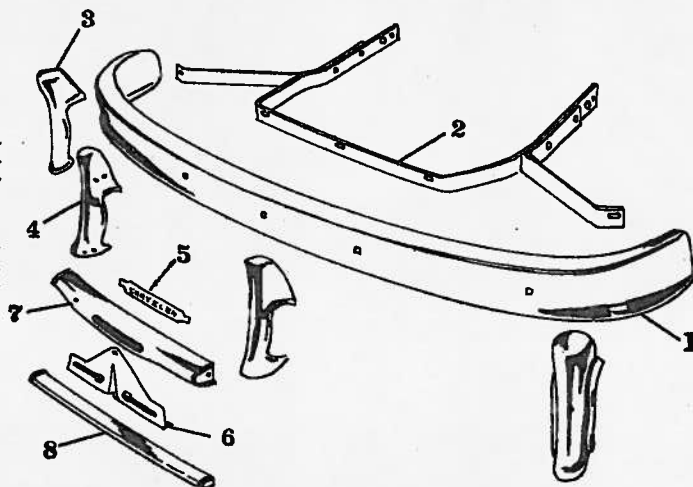


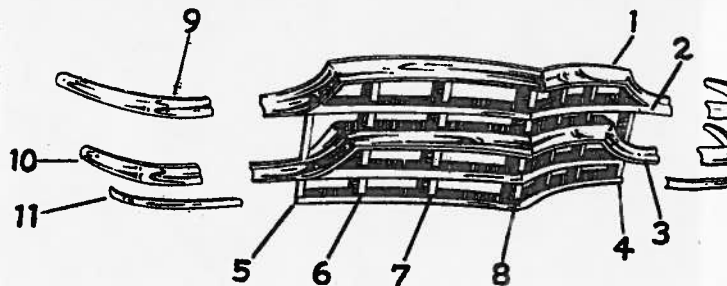
CHRYSLER 1949 BODY PARTS

Model C45. ALL BODY STYLES



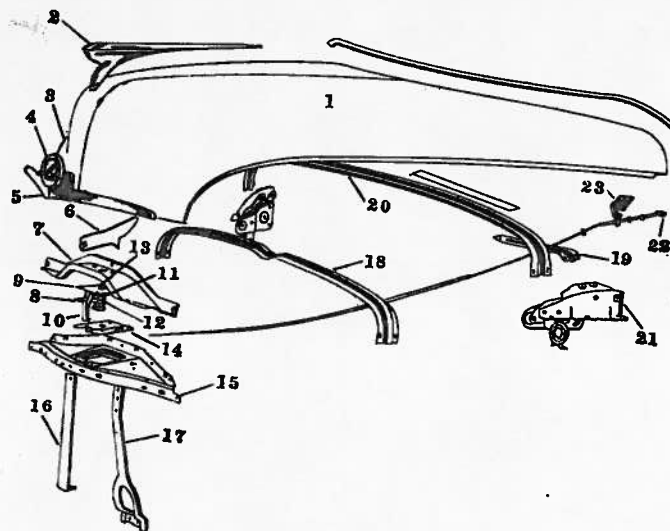
FRONT BUMPER

Item Part No.	Description	Price	Item Part No.	Description	Price
1 1184027	Face bar, 4-d. c. cpe. conv. cpe.	42.50	4 1318281	License guard, left, 7 sed. limo. sta. wag.	9.25
1 1187839	Face bar, 7 sed limo. sta. wag.	47.50	1314081	Reinforcement lic. guard	.25
2 1187815	Support bar, 4-d. c. cpe. conv. cpe.	6.75	5 1314074	Medallion lic. guard	1.65
2 1187842	Support bar, 7 sed. limo. sta. wag.	7.75	6 1313122	Lic. plate assy.	.85
3 1142189	Plate bumper buffer, sta. wag.	9.75	1314082	Lic. guard brkt., chrome	1.95
3 1312559	Bumper buffer, 4-d. c. cpe. conv. cpe.	8.75	7 1314089	Bar lic. guard tie, upper	4.50
3 1142188	Bumper buffer, 7 sed. limo. sta. wag.	9.75	7 1318275	Bar lic. guard tie, up., 7 sed. limo. sta. wag.	4.50
3 1318270	Bumper buffer, 7 sed. limo. sta. wag.	9.75	8 1314088	Bar lic. guard tie, lower	4.00
4 1313586	License guard, left	9.25	8 1318279	Bar lic. tie, lower, 7 sed. limo. sta. wag.	4.25



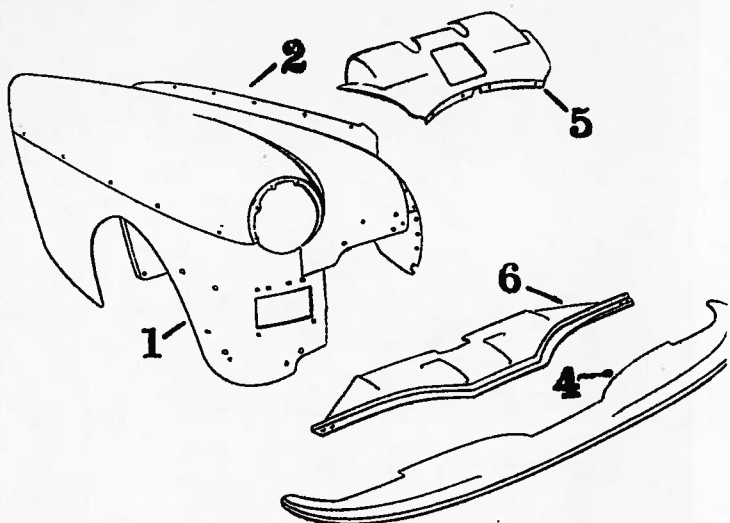
GRILLE ASSEMBLY

Item Part No.	Description	Price	Item Part No.	Description	Pri
1 1298356	Molding, grille, upper (horizontal)	14.25	6 1298364	Bar, outer, intermediate (vertical)	2.1
2 1298357	Mldg., intermediate up. (horizontal)	9.25	7 1299853	Bar, inner, intermediate (vertical)	2.1
3 1298358	Mldg., center (horizontal)	14.25	8 1298365	Bar, C. (vertical)	3.1
4 1298359	Mldg., lower housing (horizontal)	9.25	9 1298367	Fender grille extension up. midg.	4.1
4 1298360	Mldg., lower housing (narrow)	9.25	10 1298369	C. extension left midg.	3.1
5 1298362	Bar, outer (vertical), left	2.75	11 1298371	Lower exten. midg.	2.1



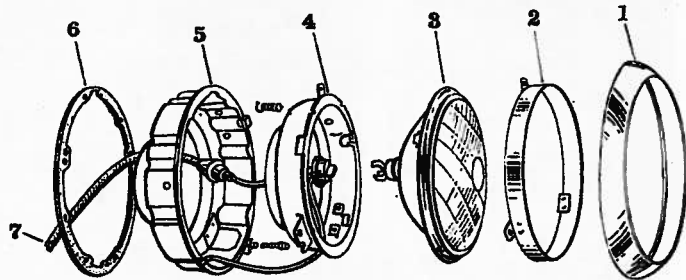
HOOD ASSEMBLY

Item Part No.	Description	Price	Item Part No.	Description	Price
1 1249358	Hood panel assy.	47.50	14 1240225	Hood lock, lower half assy.	2.25
2 1299366	Ornament, hood top	9.45	15 1241301	Support, lower lock	1.35
3 1299327	Retainer	1.35	16 1300418	Brace, lock support	.80
4 1299322	Medallion, hood, F. (plastic)	1.45	17 1298956	Brace, lower lock support	1.35
5 1299365	Molding, hood, F.	6.25	18 1254609	Strainer, hinge pan.	2.05
6 1243882	Brace hood strainer, front	.35	19 1244826	Brace, hood panel.	1.05
7 1241299	Hood lock support assy.	1.55	20 1297320	Strainer, int. pan.	1.05
8 1299994	Lock, hood, up. half	1.75	21 1256118	Hood hinge assy. (early) Ser. No.	5.45
9 972723	Plate, up. base assy.	.50	21 1306800	Hood hinge assy. (late) Ser. No.	5.45
10 1299995	Hood catch safety lock	.15	22 1309822	Knob and wire assy.	1.75
11 906082	Spring	.15	23 1301348	Support, hood lock assy.	.45
12 906083	Retainer	.10			
18 906081	Striker, hood lock.	.35			



FRONT FENDER

Item Part No.	Description	Price	Item Part No.	Description	Pri
1 1241187	Fender assembly.	42.50	4 1241994	Stone deflector	6.1
2 1139140	Shield, comp. assy.	11.85	4 1299536	Stone deflector, 7 sed. limo. sta. wag.	6.1
1138158	Brkt. fender shield	1.35	5 1241320	Shield radi., upper	2.1
1314662	Brkt. fender to frame	.85	6 1240546	Dust shield, front.	3.1

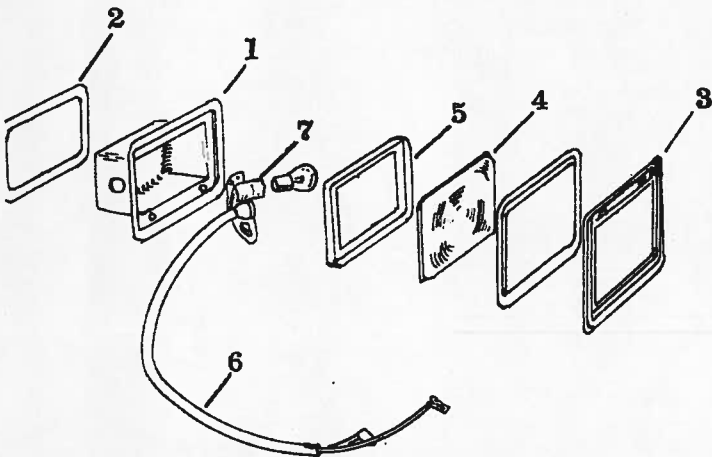


HEADLAMP ASSEMBLY

Item Part No.	Description	Price	Item Part No.	Description	Pri
1a 1302493	Hdlamp, assembly	10.95	5 1154200	Shell assy.	2.1
1 1239411	Door assy.	3.95	6 997886	Mounting gasket	.1
2 946942	Retaining ring	1.55	7 1302431	Cable and socket assy.	1.5
3 1297867	Bulb assy.	1.30			
4 946940	Seat assy.	1.55			

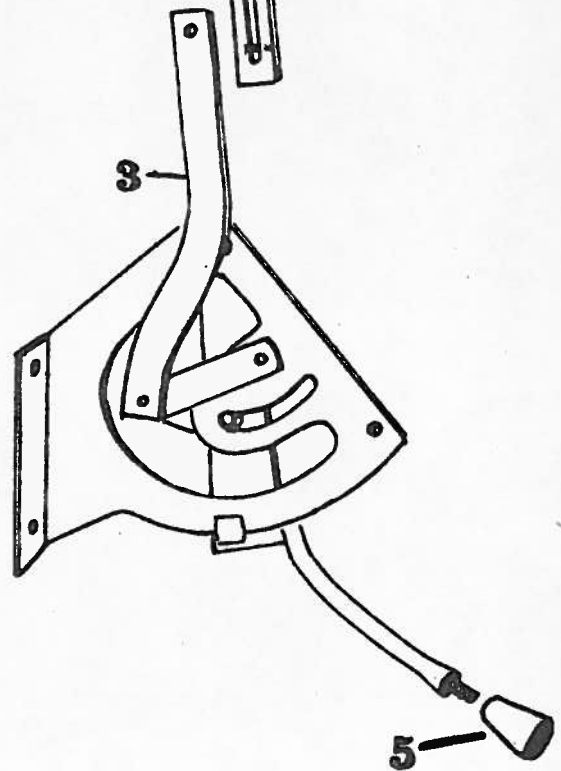
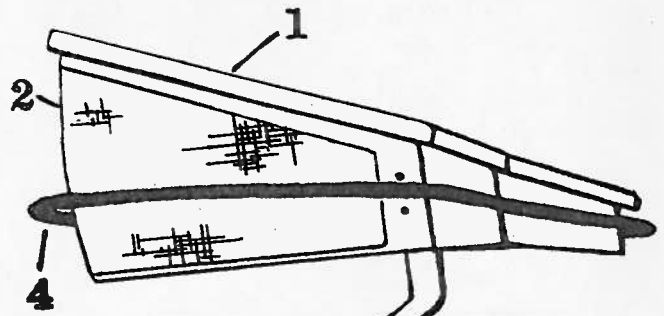
BODY PARTS 1949 CHRYSLER

Model C45. ALL BODY STYLES



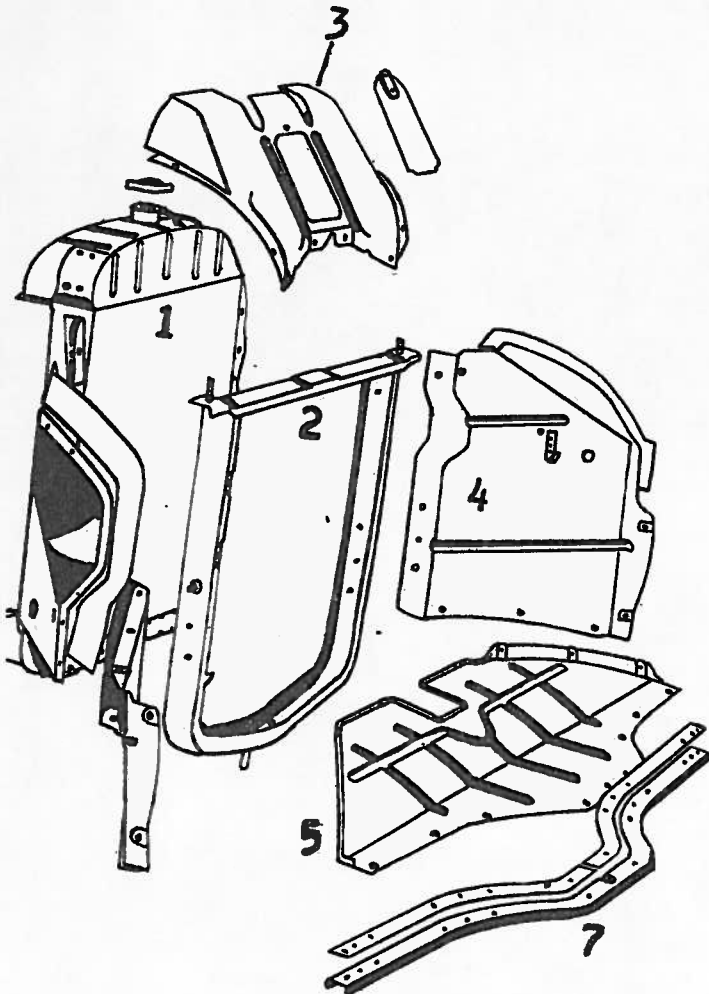
PARKING LAMP ASSEMBLY

Item Part No.	Description	Price	Item Part No.	Description	Price
1297916	Housing assy.	2.20	4 1297922	Lens	1.25
1297924	Mounting gasket ..	.75	5 1297923	Lens mount. gasket	.65
1257223	Flash. signal, assy.	1.65	6 1244681	Cable assy.	2.60
1297925	Bezel	2.35	7 1241138	Socket park. lamp	1.35
				assy.	



COWL VENTILATOR

Item Part No.	Description	Price	Item Part No.	Description	Price
1 1248924	Ventilator lid	3.25	4 1245657	W/strip80
2 1243430	Screen85	5 1299847	Knob75
3 1256357	Vent mechanism ..	3.45			

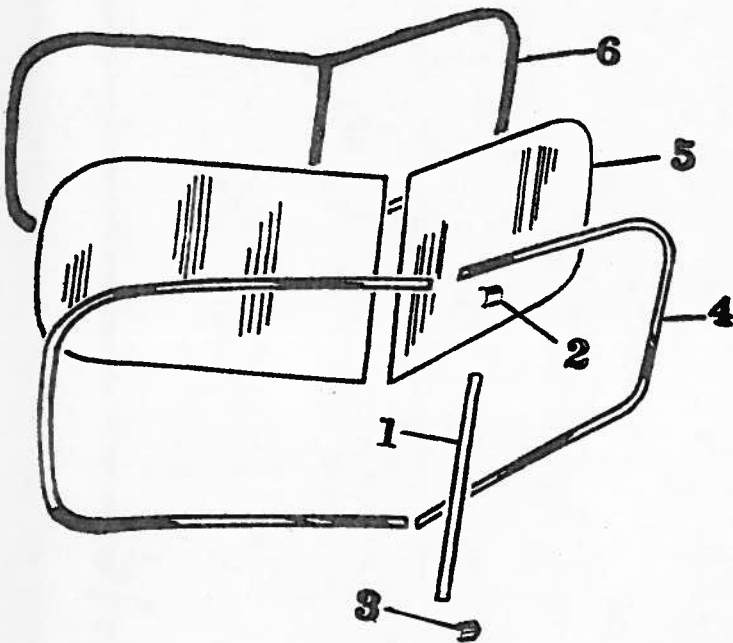


AIR SCOOPS AND RADIATOR

Item Part No.	Description	Price	Item Part No.	Description	Price
1 1239500	Radiator core assy.	73.30	5 1240546	Rad. dust shield...	2.75
1 1244437	Rad. for high alt.	79.05	6 313072	Liner, specify by the	
2 1296889	Rad. support assy.	.50	foot10	
3 1241820	Shield rad., up....	1.35	7 1240510	Bar assembly	1.99
4 1241868	Side shield w/seal,	4.25	complete		

BODY PARTS 1949 CHRYSLER

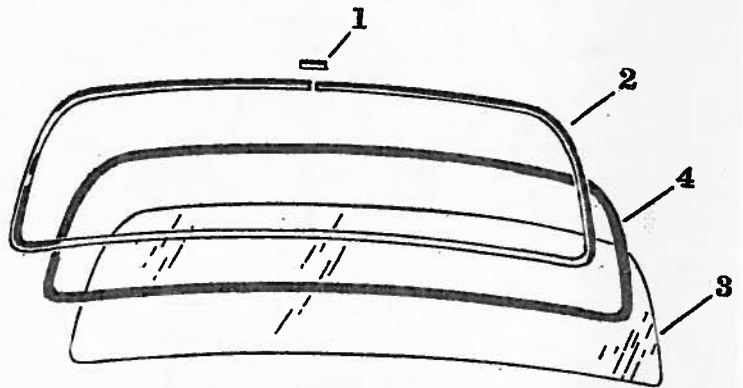
Model C45. ALL BODY STYLES



WINDSHIELD

4-DOOR AND STATION WAGON

Item Part No.	Description	Price	Item Part No.	Description	Price
1	1243904—Division bar	3.75	4	1305135—Midg., outside, 7	
1	1296356—Division bar, sta. wag.	2.75		sed. limo.	3.20
	1296561—Channel	2.45	5	1243578—Glass, sta. wag.	P.O.A.
2	1256331—Clip, upper, 7 sed. limo., sta. wag.35	5	1255798—Glass, sta. wag.	P.O.A.
3	1256332—Clip, lower35	6	1244038—W/strip	2.65
4	1256330—Midg., outside	2.85	6	1296358—W/strip, sta. wag.	2.85
			6	1304655—W/strip, 7 sed. limo.	2.85



BACK WINDOW

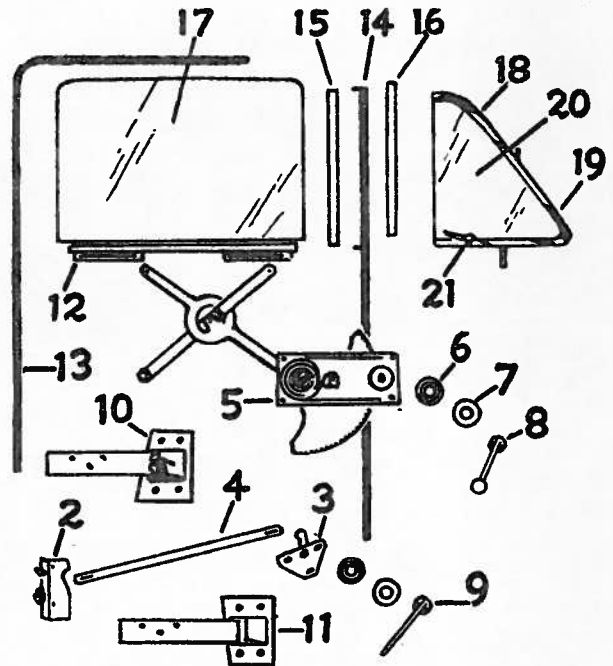
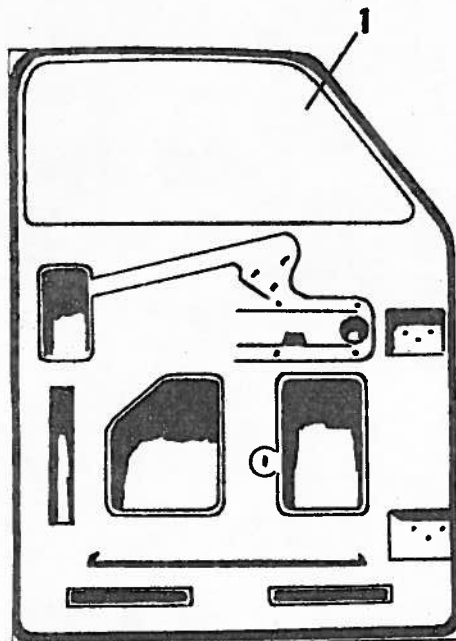
4 DOOR SED.

Item Part No.	Description	Price	Item Part No.	Description	Price
1	1256334—Clip window joint..	.35	3	1240326—Glass	P.O.A.
2	1256333—Midg., outside	5.75		1255122—Glass tallgate, up, sta. wag.	P.O.A.
	1305178—Midg., outside low, 7 sed. and limo.	3.25	4	1244039—W/strip	3.85
	1305178—Midg., outside, up, 7 sed. limo.	3.25			

FRONT DOOR

4-DOOR AND STA. WAG., 7 SED. LIMO.

Item Part No.	Description	Price
1	1300177—Door assy., less trim hardware	48.50
2	1242694—Lock assy., 4-d.	3.75
2	1255058—Lock assy., sta. wag.	3.25
3	1296899—Remote ontrl., 4-d.	1.65
3	1304567—Remote control, 7 sed. limo.	1.35
4	1244137—Link, 4-d.45
4	1257170—Link, sta. wag.45
5	1242640—Regltr. assy., 4-d.	4.85
5	1257177—Regltr. assy., sta. wag.	5.35
5	1305291—Regltr. assy., 7 sed. limo.	5.35
6	89796—Spring, 4-d.06
6	1256316—Spring, sta. wag.	3.45
6	895886—Spring, 7 sed. limo.30
7	1256314—Escutcheon, sta. wag.45
7	1156240—Regulator escutcheon (plastic)75
7	1253773—Regulator handle escutcheon45
8	1253546—Regulator handle..	3.85
8	1256158—Regulator handle..	3.85
9	901268—Remote ontrl. handle	1.30
10	1307507—Hinge, upper, 4-d.	3.50
10	1299948—Hinge, upper, sta. wag.	3.75
11	1244188—Hinge, lower, 4-d.	1.75
11	1299952—Hinge, lower, sta. wag.	3.40
12	1243813—Glass, low channel	1.00
12	1246835—Glass, lower channel, sta. wag.	3.75
12	1254849—Glass, lower channel, sta. wag.	P.O.A.
12	1303817—Glass, lower channel, 7 sed. limo.	1.20
13	1244004—Glass run, rear.	1.15
14	1243578—Division run channel	3.75
14	1301044—Division channel run, sta. wag.	1.95
14	1304620—Division channel run, 7 sed. limo.	1.85



Item Part No.	Description	Price	Item Part No.	Description	Price	Item Part No.	Description	Price
13	1243576—Run F. door glass..	P.O.A.	17	1299496—Door glass, sta. wag.	P.O.A.	20	1243559—Vent. glass, 4-d.	P.O.A.
15	1299959—Run door glass, upper, sta. wag.	P.O.A.	18	1243568—Ventilator frame assy.	2.75	20	1300143—Vent. glass, sta. wag.	P.O.A.
16	1296601—Division channel, outer55	18	1301032—Ventilator frame assy., sta. wag.	3.75	20	1243559—Vent. glass, 4-d.	P.O.A.
16	1296601—Division channel, outer, sta. wag.55	18	1304607—Vent. frame assy., 7 sed. limo.	3.75	20	1300143—Vent. glass, sta. wag.	P.O.A.
16	1255487—Division channel, outer, 7 sed. limo.35	19	1243523—W/strip, 4 D.	2.60	21	893668—Vent. handle, 4-d.60
17	1241365—Door glass	P.O.A.	19	1301046—W/strip, sta. wag.	2.75	21	1308852—Vent. handle, 7 sed. limo.75
			19	1304635—W/strip, 7 sed. lim.	2.95		1243547—Retainer with division channel	1.85

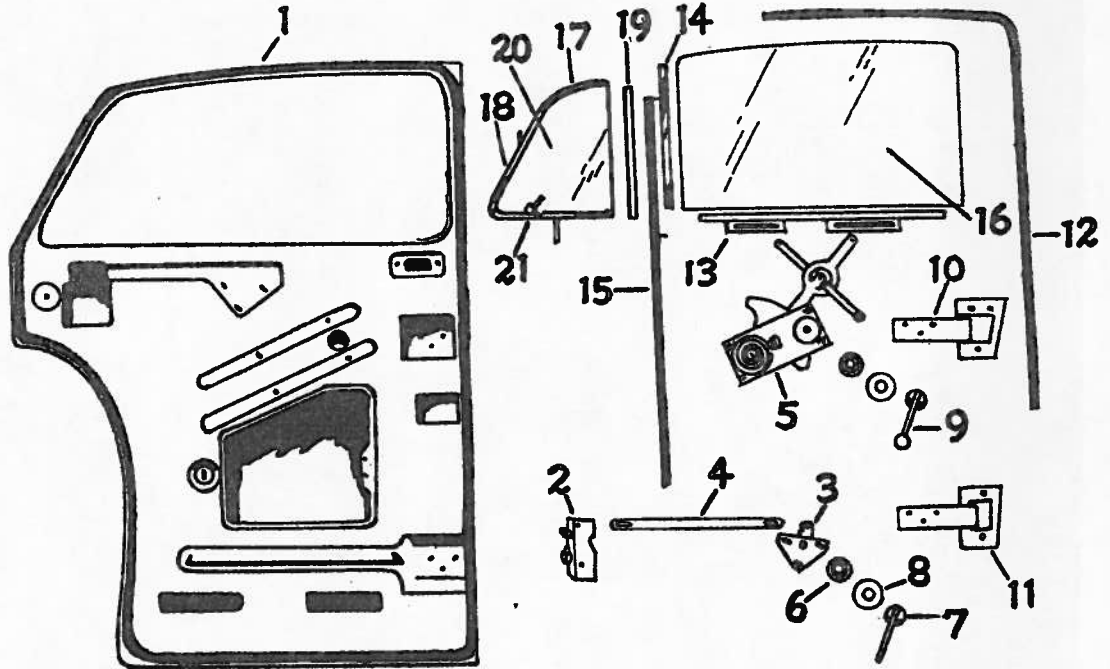
CHRYSLER 1949 BODY PARTS

Model C45. ALL BODY STYLES

REAR DOOR

4 DOOR AND STA. WAG. 7 SED. LIMO.

Item Part No.	Description	Price
1	1300179—Door Assy. less trim hardware	48.50
2	1255065—Lock Assy. (includes link) sta. wag.	3.80
2	1243301—Lock Assy., 4-d.	2.75
2	1305289—Lock Assy., 7 sed.	3.25
2	1305287—Lock Assy., 7 sed. limo.	3.25
3	1256255—Remote control, sta. wag.	1.30
3	1304911—Remote control, 7 sed. limo.	1.55
3	1244248—Remote control, 4-d.	1.30
4	1244139—Control link, 4-d.	.55
4	1243305—Locking control (with link) 4-d.	1.65
4	1304914—Control link, 7 sed. limo.	.75
5	1243479—Regitr. Assy., 4-d.	5.85
6	89796—Spring, 4-d.	.06
6	1256316—Spring, sta. wag.	3.45
7	901288—Remote control handle	1.30
8	1300159—Escutcheon, 4-d.	1.00
9	1253546—Regitr. handle	3.85
9	1256158—Regitr. handle	3.85
10	1307313—Hinge, up. Assy.	2.75
10	1256057—Hinge, up. half, sta. wag.	1.50
10	1256055—Hinge, up. half, sta. wag.	1.50
10	1307837—Hinge, up. Assy., sta. wag.	11.25
10	1305285—Hinge, up. Assy., 7 sed. limo.	4.25
11	1244188—Hinge, low. Assy.	4.35
11	1307516—Hinge, low. Assy.	2.75
11	1256063—Hinge, low. half, sta. wag.	1.50
11	1256061—Hinge, low. half, sta. wag.	1.50
11	1299952—Hinge, low. half, sta. wag.	3.40
11	1307839—Hinge, low. half, sta. wag.	11.25
11	1304581—Hinge, low. Assy., 7 sed. limo.	4.25
12	1243954—Glass run channel, rear	P.O.A.
13	1243822—Channel, low. Assy.	1.00



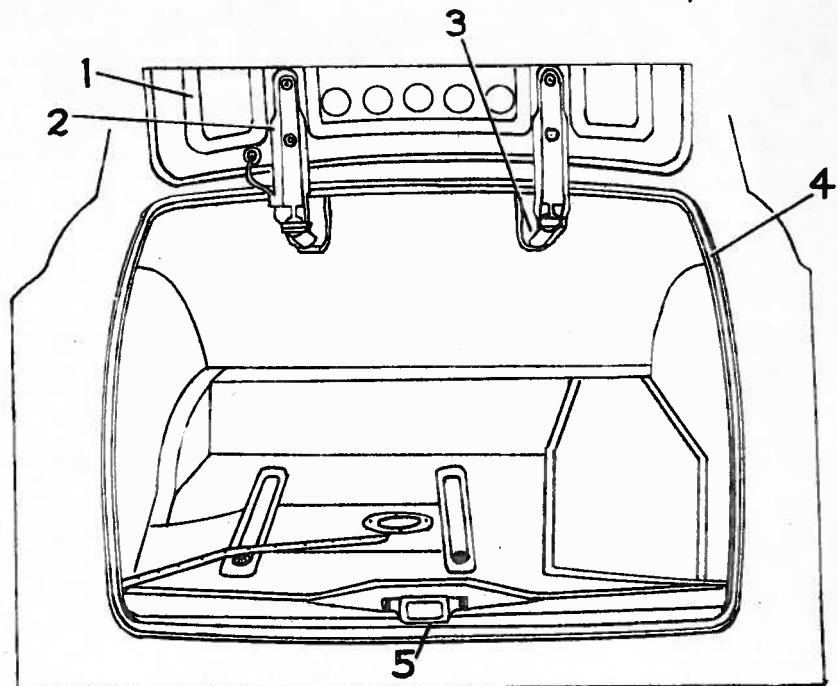
Item Part No.	Description	Price	Item Part No.	Description	Price	Item Part No.	Description	Price
13	1304261—Channel, low. Assy., 7 sed. limo.	1.75	15	1299958—Sliding glass run, rear sta. wag.	P.O.A.	17	1243998—Vent. frame Assy., 4-d.	2.75
14	1246990—Glass run, rear, sta. wag.	P.O.A.	15	1305496—Glass run, 7 sed.	P.O.A.	18	1243379—W/strip	1.65
14	1243408—Glass run, rear, 4-d.	P.O.A.	15	1305442—Glass run, 7 sed. limo.	P.O.A.	19	1243381—Retainer with div. channel	3.75
15	1299957—Sliding glass run (top and bottom), sta. wag.	P.O.A.	15	1243401—Glass run div. channel, 4-d.	P.O.A.	19	1243377—W/strip	1.65
			16	1240255—Glass, 4-d.	P.O.A.	20	1243394—Vent. glass	P.O.A.
			16	1300253—Glass, sta. wag.	P.O.A.	21	893669—Vent. handle	.60

REAR DECK 4 DOOR

Item Part No.	Description	Price
1	1299485—Deck lid Assy., 4-d.
1	1247877—Deck lid Assy., 7 sed. and limo.
2	1241466—Hinge Assy.
2	1305015—Hinge w/spring guide, 7 sed. limo.
3	1242717—Spring Assy.
4	1244478—W/strip
4	1305431—W/strip, 7 sed. limo.
4	1299812—W/strip tallgate glass, sta. wag.
4	1288901—Retainer (incl. w/strip), sta. wag.
5	1299663—Lid catch
	1254997—Deck lock
	903907—Pin lid hinge

CLUB COUPE

Item Part No.	Description	Price
1	12995485—Deck lid Assy.
2	1257068—Hinge Assy.	1.85
3	1289087—Spring Assy.	2.65
4	1244478—W/strip	4.65
5	1299663—Lid catch	.40
	1254997—Deck lock



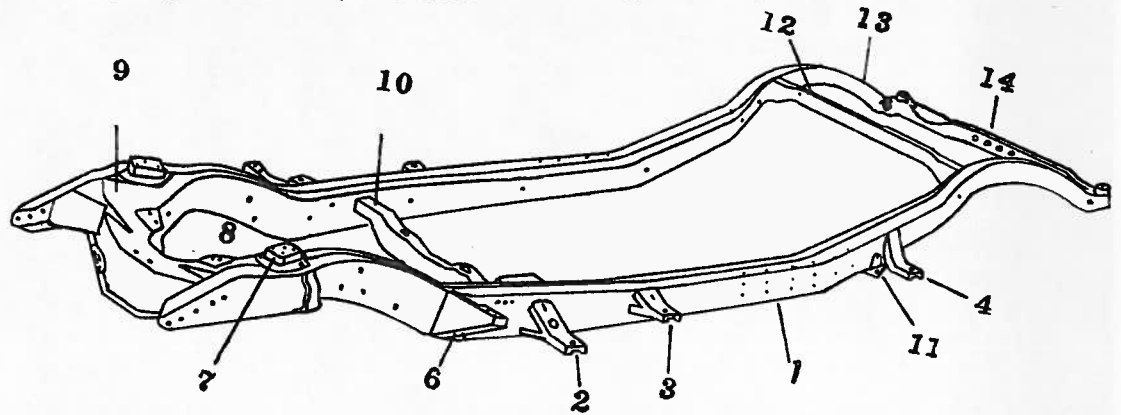
BODY PARTS 1949 CHRYSLER

Model C45. ALL BODY STYLES

FRAME ASSEMBLY

DOOR SED., CLUB COUPE, 7 SED. LIMO., STA. WAG.

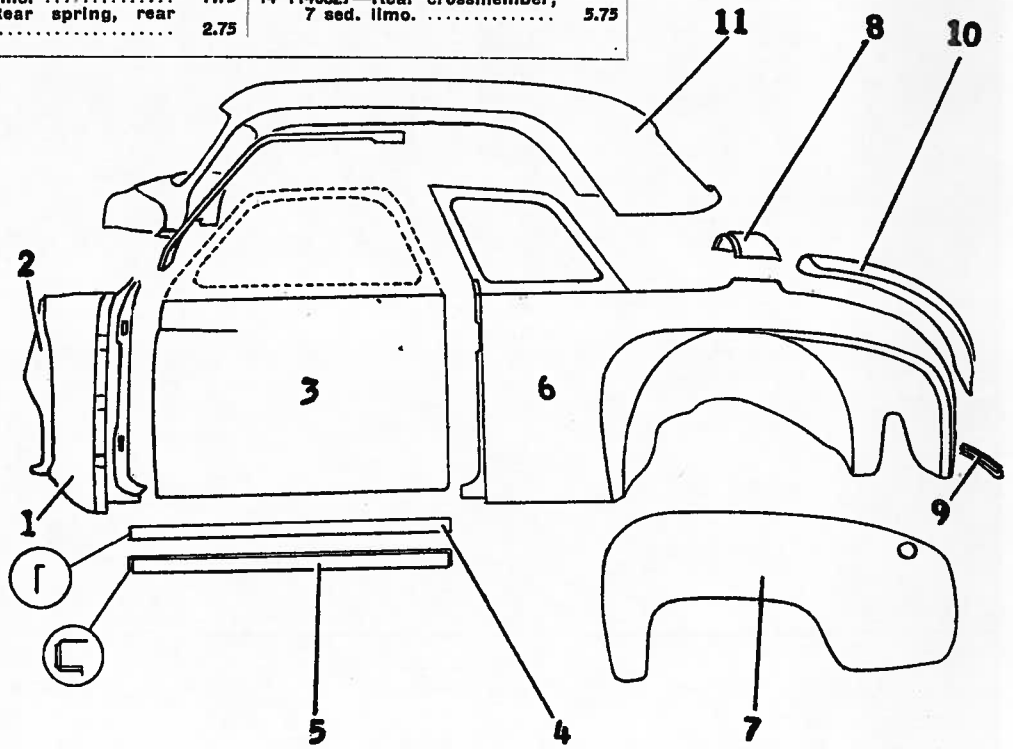
Item Part No.	Description	Price
1 1137028	Frame Assy. (std. tran. less F.D.)	125.00
1 1137029	Frame (with underdrive tran.)	125.00
1 1138438	Frame (std. tran. less F.D.), 7 sed. limo.	P.O.A.
1 1138437	Frame (with underdrive tran.), 7 sed. limo.	165.00
1 1139691	Frame (with sta. tran. less F.D.), con. cpe.	165.00
1 1139692	Frame (with underdrive tran.), con. cpe.	165.00
1 1311508	Frame (with underdrive tran.), sta. wag.	165.00
2 1137149	Brkt. No. 2, 4-d. sta. wag., c. cpe.	1.25
2 1138432	Brkt. No. 2, 7 sed. limo.	1.75
3 1137152	Brkt. No. 3, 4-d. c. cpe., sta. wag.	1.25
4 1313327	Brkt. No. 4, 7 sed. limo.	2.15
4 1311488	Brkt. No. 4, 4-d. c. cpe., sta. wag.	1.65
1311488	Brkt. No. 5, 4-d. c. cpe., sta. wag.	1.10
1313330	Brkt. No. 6, 7 sed. limo.	3.35
6 1312307	Body brkt. No. 1.	3.00
7 1137069	Brkt. control arm, up.	2.25
8 1312042	Sup., front crossmember	6.75
9 1137927	Crossmember, front, No. 1	26.00
0 1137057	Crossmember engine support	5.90
0 1137060	Crossmember engine support (F.D.)	5.90
0 1137105	Crossmember, 7 sed. limo. (F.D.)	6.60



Item Part No.	Description	Price	Item Part No.	Description	Price
11 1124576	Rear spring, front hanger	1.40	14 1311497	Rear crossmember, sta. wag.	5.75
12 1141736	Inter. crossmember	3.50	14 1140339	Rear crossmember, 4-d., c. cpe.	5.75
12 1140328	Inter. crossmember, 7 sed. limo.	7.75	14 1140327	Rear crossmember, 7 sed. limo.	5.75
13 1137077	Rear spring, rear hanger	2.75			

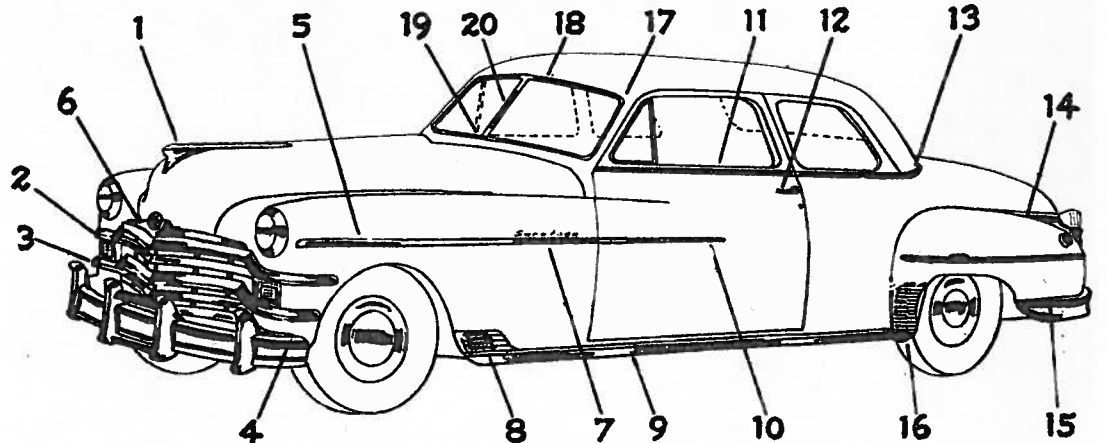
SHEET METAL CLUB COUPE

Item Part No.	Description	Price
1 1240723	Cowl side Assy.	25.50
2 1244135	Dash panel	9.75
3 1333039	Door repair panel	11.75
4 1240644	Body sill, in.	4.75
5 1240646	Body sill, out.	6.40
6 1239070	Quar. panel Assy.	36.50
7 1239095	Rear fender	15.50
8 1239086	Rear deck panel, up.	4.25
9 1241331	Rear deck panel, low.	3.50
0 1235485	Deck lid Assy.	47.50
1 1308756	Roof repair panel.	33.50



CAR BODY MOULDING CLUB COUPE

Item Part No.	Description	Price
1 1299366	Hood top ornament	9.45
2 1298367	Midg. grille extension, up.	5.75
3 1298368	Midg. grille, center on fender	6.25
4 1298371	Midg. grille, lower on fender	4.75
5 1256517	Midg., fender, side (early)	3.25
5 1244489	Midg., fender, side (later)	3.25
6 1299368	Front fender, hood extension	3.75
7 1301494	Fender, side name plate (Highlander)	1.50
8 1254993	Ornament, fender skirt	5.25
9 1308831	Body sill midg.	10.50
0 1296008	Front door fender extension midg.	3.25
0 1252850	Front door fender extension, C-45-W	6.75
1 1256173	Door belt midg.	1.75
2 1252846	Door handle Assy.	3.50
3 1256175	Rear quar. belt	2.95
4 1300570	Tail lamp base	9.80
5 1296004	Rear fender midg.	4.25
6 1301519	Rear fender stone shield	6.75
7 1256330	Windshield midg.	2.85
8 1256331	Clip, up.	.35
9 1256332	Clip, low.	.35
0 1243904	Division bar	3.65

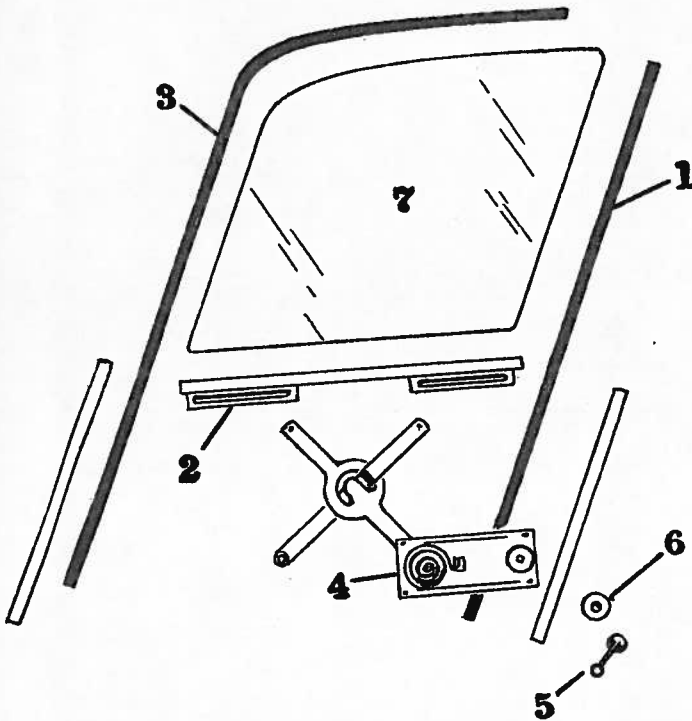
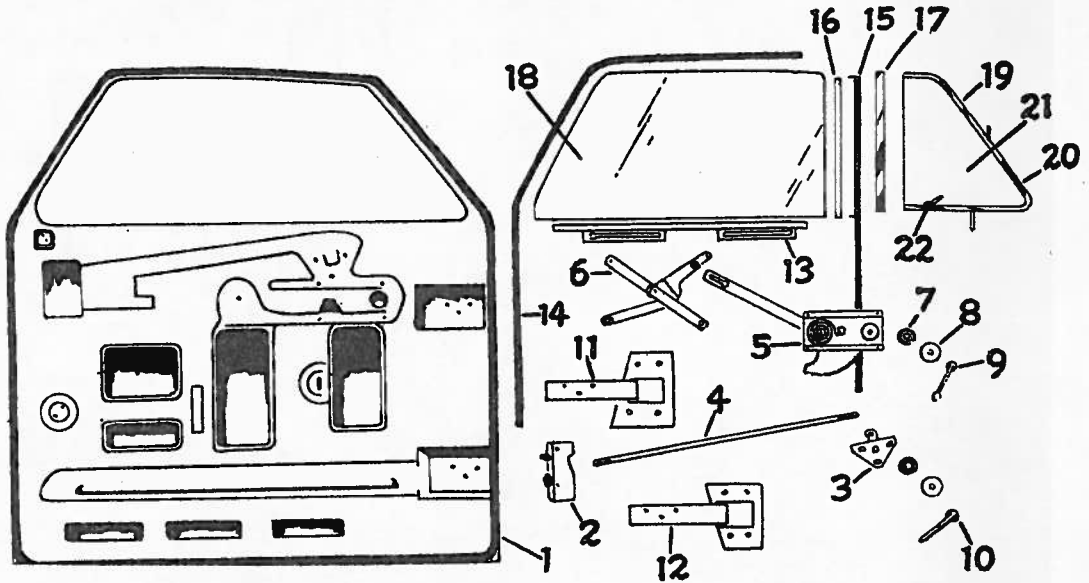


CHRYSLER 1949 BODY PARTS

Model C45. ALL BODY STYLES

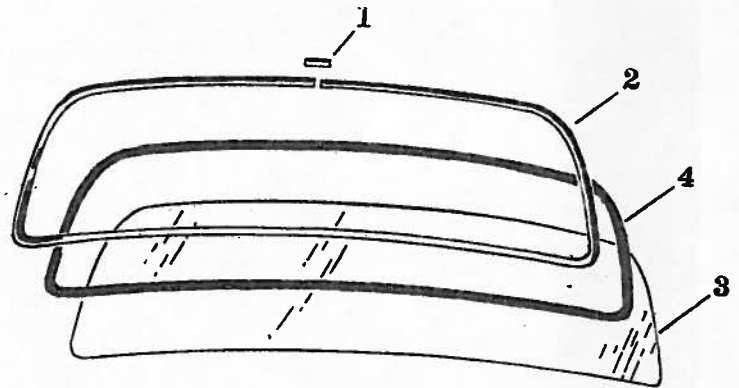
DOOR ASSEMBLY CLUB COUPE

Item	Part No.	Description	Price
1	1300181	Door, less trim hardware	51.50
1	1308807	Door includes trim hardware	129.50
2	1242894	Lock assy.	3.75
3	1298899	Remote control	1.65
4	1244189	Link	.65
5	1298548	Regltr. assy.	4.85
6	1242993	Arm and pivot	1.75
7	89798	Spring	.06
8	1158240	Regltr. escutcheon (plastic)	.75
8	1253773	Regltr. handle escutcheon	.45
9	1253546	Regltr. handle	3.85
9	1258158	Regltr. handle	3.85
10	901268	Remote control handle	1.30
11	1307307	Hinge, up.	3.50
12	1244188	Hinge, low.	1.75
13	1243947	Glass, low, channel	P.O.A.
14	1243339	Glass run, rear	P.O.A.
15	1243578	Div. run channel	3.75
16	1244048	Run, front door glass assy.	P.O.A.
17	1298801	Div. channel, out.	.55
18	1240683	Door glass	P.O.A.
19	1243563	Vent. frame assy.	2.75
20	1243523	W/strip	2.60
21	1243559	Vent. glass	P.O.A.
22	893668	Vent. handle	.60



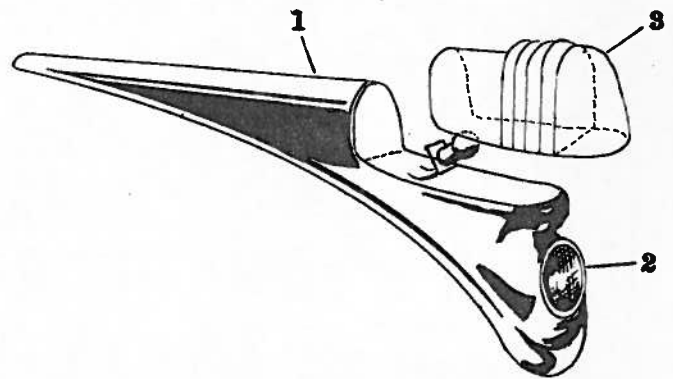
REAR QUARTER WINDOW CLUB COUPE

Item	Part No.	Description	Price	Item	Part No.	Description	Price
1	1244140	Glass run	3.50	5	1253548	Regltr. handle assy.	3.75
2	1240535	Channel, low, assy.	1.90	5	1258158	Regltr. handle assy.	3.70
3	1240549	Channel run, front	1.00	6	1253773	Escutcheon	.45
4	1242862	Regltr. assy.	5.85	7	1240533	Glass	P.O.A.
	1256337	Spring	.50				



BACK WINDOW CLUB COUPE

Item	Part No.	Description	Price	Item	Part No.	Description	Price
1	1258834	Clip window joint	.35	3	1240447	Glass	P.O.A.
2	1256333	Midg., outside	3.75	4	1244089	W/strip	3.8

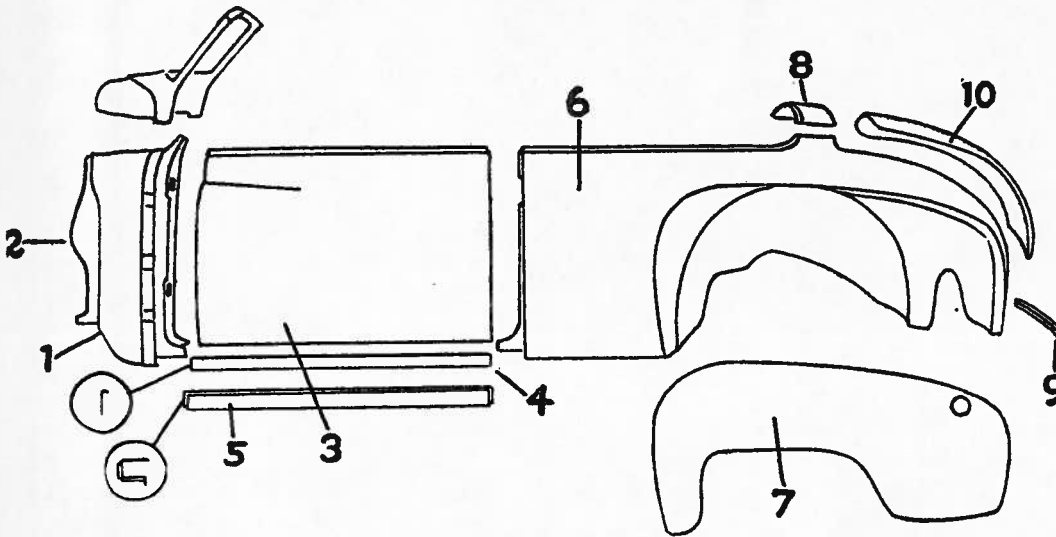


TAIL LAMP AND SIGNAL

Item	Part No.	Description	Price	Item	Part No.	Description	Price
1	1300570	Tail lamp base, 4-d, c. cpe.	9.80	1	1302668	Lamp base, 7 sed. and limo.	9.8
1	1300638	Lamp base, con. cpe.	9.80		1302556	Housing, eta. wag.	4.7
				2	1300711	Reflector button	.7
				3	1300869	Lens	2.5

BODY PARTS 1949 CHRYSLER

Model C45. ALL BODY STYLES

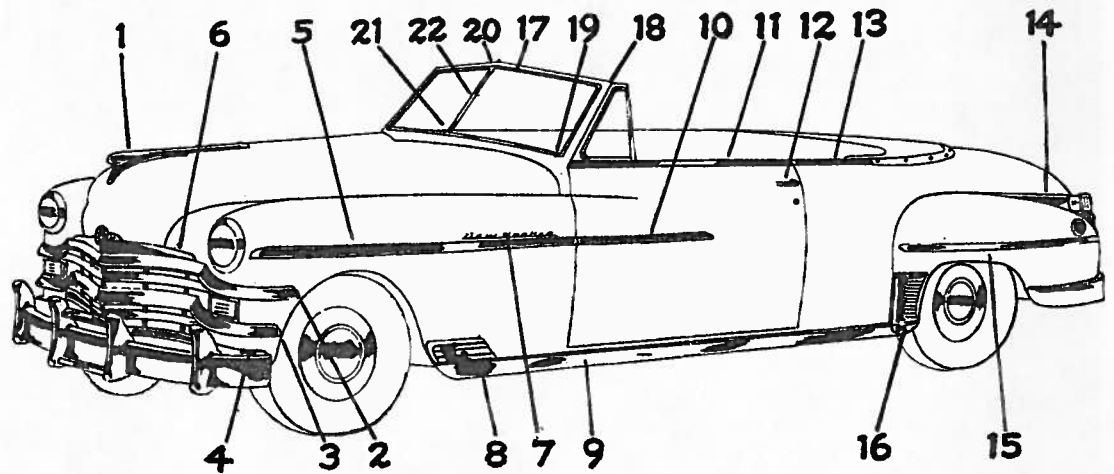


SHEET METAL CONVERTIBLE COUPE

Item Part No.	Description	Price
1	1248831—Cowl side assy. ...	6.50
2	1244185—Dash panel	9.75
3	1246877—Door repair panel.	12.75
4	1304288—Body sill, in.	7.75
5	1249387—Body sill, out.	8.95
6	1249899—Quar. panel assy....	59.50
7	1333394—Rear fender	14.75
8	1248422—Deck panel, up.	9.75
9	1241331—Deck panel, low. ...	3.50
10	1308165—Deck lid assy.	38.50

CAR BODY MOLDING CONVERTIBLE COUPE

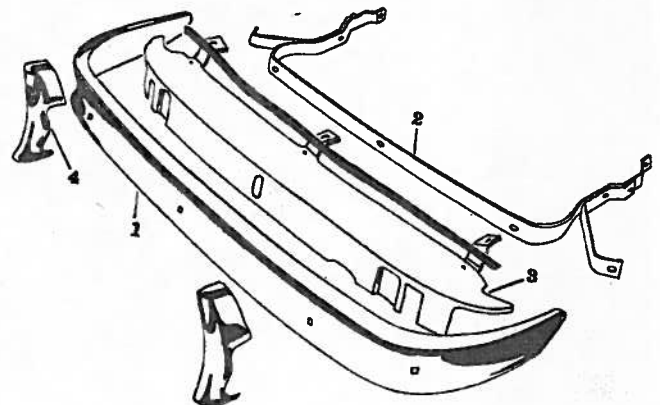
Item Part No.	Description	Price
1	1299366—Hood top ornament	9.45
2	1298367—Mldg. grille extension, up.	2.75
3	1298369—Mldg., center on fender	2.65
4	1298371—Mldg. grille, low. on fender	3.25
5	1256517—Mldg., fender side (early)	4.35
5	1244489—Mldg., fender side (later)	4.35
6	1299368—Front fender hood extension	1.75
7	1301493—Fender name plate	1.25
8	1254993—Ornament, fender skirt	5.25
9	1308851—Body sill mldg. (stainless steel)	1.15
10	1252850—Front door fender extension C-45-W	2.35
11	1256173—Door belt mldg. ...	2.65
12	1248027—Door handle assy.	3.25
13	1303302—Door, outside mldg.	2.75
13	1303285—Rear quar. panel mldg.	4.50
13	1303317—Quar. panel mldg., front	2.25



Item Part No.	Description	Price	Item Part No.	Description	Price	Item Part No.	Description	Price
14	1300638—Tail lamp base ...	9.80	17	1303247—Windshield mldg., up. chrome	6.50	20	1303488—Clip, up.25
15	1296004—Rear fender mldg.	4.25	18	1248850—Clip, up. side65	21	1303490—Clip, low.25
16	1301519—Rear fender stone shield	6.75	19	1248851—Clip, low. side65	22	1249340—Div. bar	3.75

REAR BUMPER

Item Part No.	Description	Price	Item Part No.	Description	Price
1	1139286—Face bar	25.50	3	1314110—Stone deflector (sta. wag.)	6.75
1	1141824—Face bar, 7 sed. and limo.	25.50	3	1304594—Stone deflector, 7 sed. and limo.	6.75
1	1312498—Face bar, sta. wag.	19.25	4	1312534—Buffer plate	P.O.A.
2	1137796—Sup. bar, 4-d., c. cpe., con. cpe.	5.75	4	1312508—Buffer plate (hinge type), sta. wag.	9.50
2	1141822—Sup. bar, 7 sed. limo.	5.75	4	1142189—Buffer plate, 7 sed. and limo.	8.75
2	1312500—Sup. bar, sta. wag.	4.75			
3	1254083—Stone deflector, 4-d., c. cpe., con. cpe. ...	6.05			

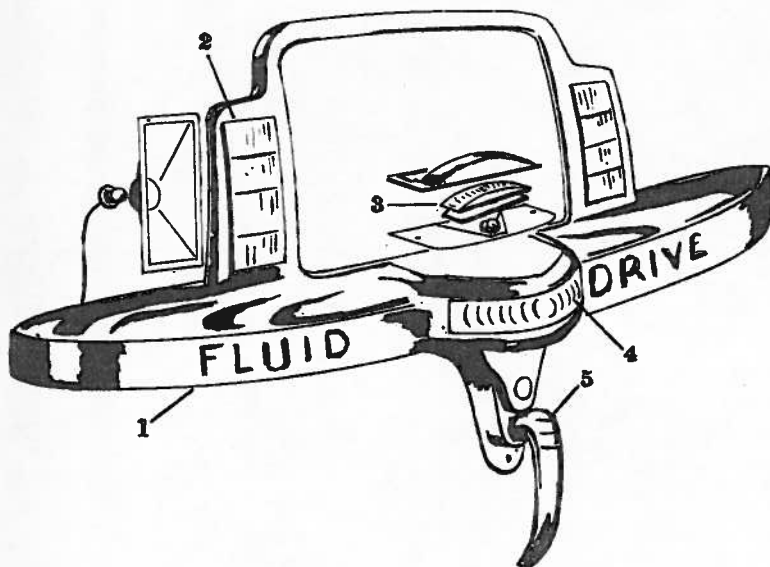
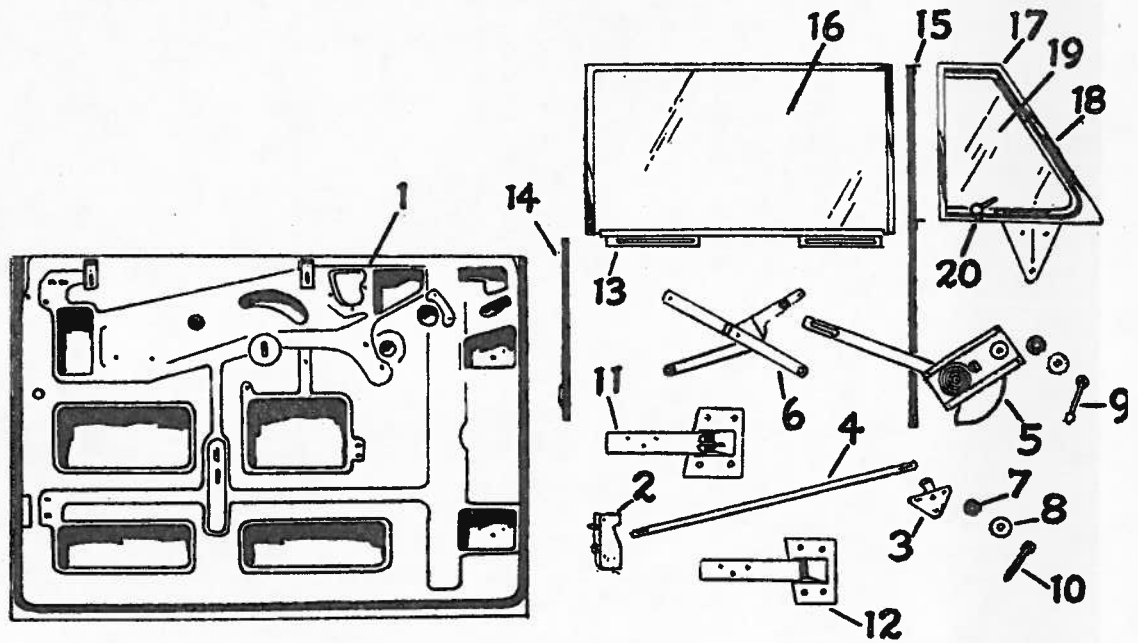


CHRYSLER 1949 BODY PARTS

Model C45. ALL BODY STYLES

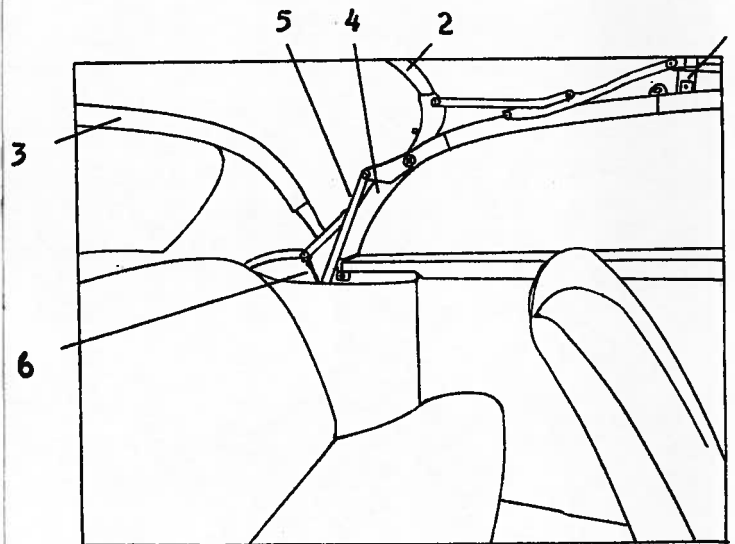
DOOR ASSEMBLY CONVERTIBLE COUPE

Item	Part No.	Description	Price
1	1249763	Door, less trim hardware	57.50
2	1242694	Lock assy.	3.25
3	1256595	Remote control	1.75
4	1244139	Link	.65
5	1249851	Regitr. assy.	5.75
6	1247831	Arm and pivot	1.75
7	89796	Spring	.06
8	1156240	Regitr. escutcheon (plastic)	.75
8	1304447	Remote control escutcheon	1.00
9	1256158	Regitr handle	3.85
10	901268	Remote control handle	1.30
11	1307307	Hinge, up.	3.50
12	1244182	Hinge, low.	3.75
13	1243947	Glass, low. channel	P.O.A.
13	1246835	Glass, low. channel	3.75
14	1247789	Glass run, rear	1.45
15	1246909	Vent. div. channel run	P.O.A.
16	1246836	Door glass	P.O.A.
17	1246835	Vent. frame assy.	8.50
17	1247317	Vent. frame assy.	8.50
18	1247485	W/strip	3.30
18	1303782	W/strip	3.30
19	1246881	Vent. glass	P.O.A.
20	893030	Vent. handle	.70



STOP AND LICENSE LAMP

Item	Part No.	Description	Price	Item	Part No.	Description	Price
1	1253303	Shell, 4-d., c. cpe., con. cpe.	18.50	1	1257455	Gasket, sta. wag.	.15
1	1302834	Shell w/stud, 7 sed. and limo.	18.50	2	1257446	Bezel, sta. wag.	1.85
1	1310460	Shell, 4-d., c. cpe.	18.50	3	1302836	Lic. brkt.	.40
2	1253308	Side lens	1.25	2	1257460	Lic. brkt., sta. wag.	.60
2	1308387	Side lens, 7 sed. and limo.	.85	3	1314103	Lic. clamp, up.	.40
2	1257454	Lens, sta. wag.	1.25	3	1314104	Clamp, low.	.40
2	1253309	Gasket	.15	3	1253314	Lens, center top	.65
2	1310287	Gasket, 7 sed. limo.	.15	3	1257456	Lens, sta. wag.	.10
				4	1253318	Lens, front	.85
				5	1253026	Handle	3.25

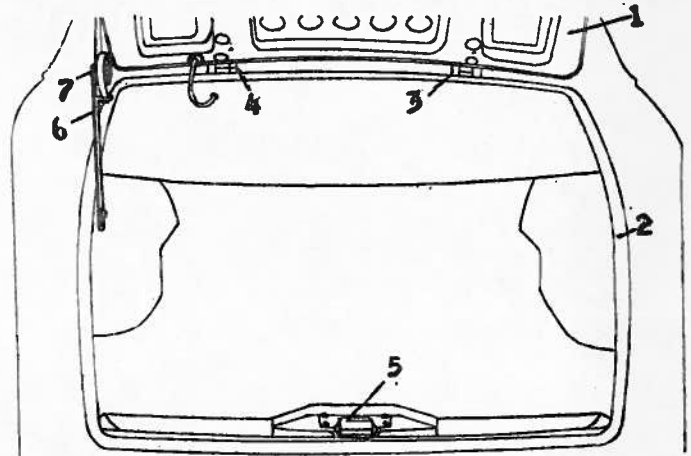
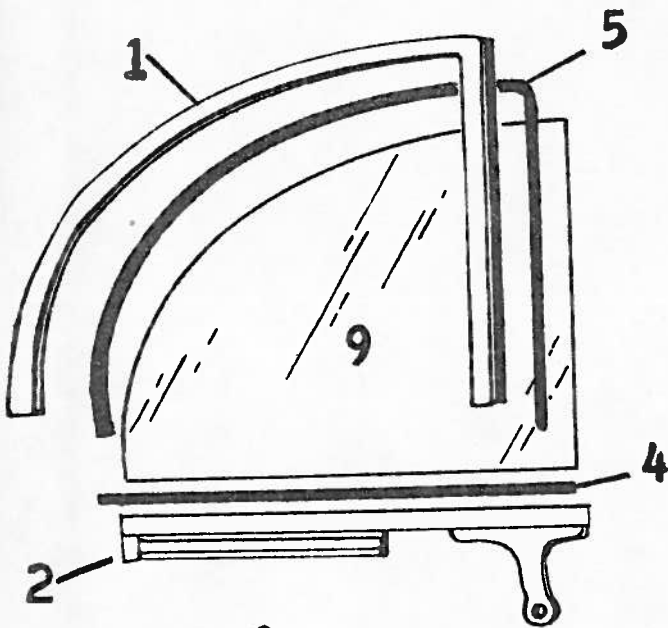


CONVERTIBLE FOLDING TOP

Item	Part No.	Description	Price
1a	1291408	Fold. top complete	P.O.A.
1	1245261	Bow, No. 1	2.85
2	1245267	Bow, No. 2	2.85
3	1248998	Rear bow assy.	6.85
4	1246285	Pillar	18.50
5	1246335	Prop. main control (white)	1.50
6	1249316	Cyl. (includes yoke)	12.75

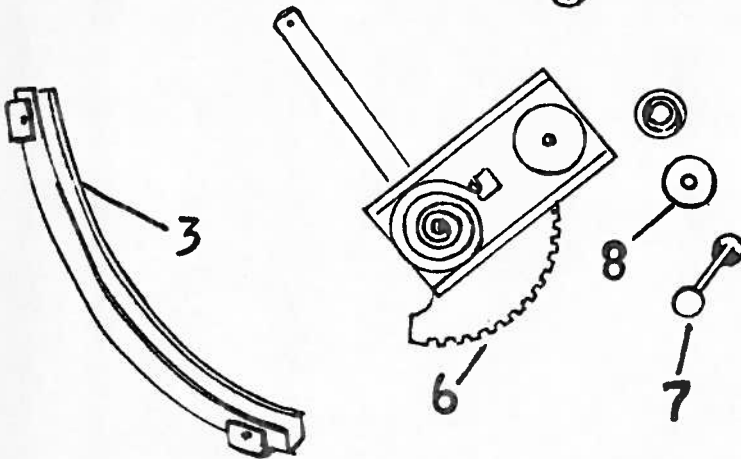
BODY PARTS 1949 CHRYSLER

Model C45. ALL BODY STYLES



REAR DECK CONVERTIBLE COUPE

Item	Part No.	Description	Price	Item	Part No.	Description	Price
1	1303165	Deck lid assy.	36.50	5	1299663	Lid catch49
2	1244478	W/strip	4.65	6	1303546	Lid prop brkt arm	.45
3	1303189	Hinge assy.	4.50	7	1303542	Lid prop assy.	3.95
4	1303194	Pin lid hinge15				

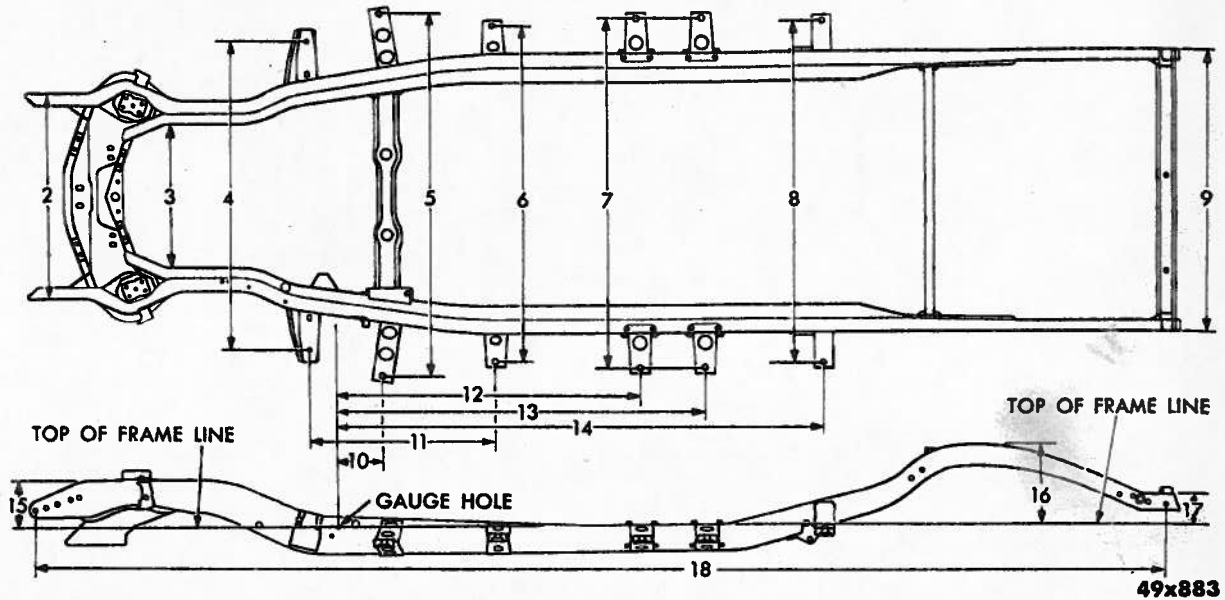


REAR QUARTER WINDOW CONVERTIBLE COUPE

Item	Part No.	Description	Price	Item	Part No.	Description	Price
1	1248779	Frame assy.	3.75	5	1248139	W/strip, up.	1.10
	1307531	Window guide run	.30		1248279	Guide assy.	1.85
2	1249061	Channel, low. assy.	2.35	6	1248875	Regitr. assy.	3.75
3	1247546	Sup., low. channel.	2.30	7	1256158	Regitr. handle	3.85
4	1248073	W/strip, low. chan.	1.33	8	1304447	Escutcheon	1.00
5	1248035	W/strip, up.	1.10	9	1246871	Glass	P.O.A.

Frame dimensions for this model not available at time of going to press

CHRYSLER 1949 thru 1952 FRAME



Frame Alignment (Dimensions given in inches)

	C-46, C-48			C-45		C-48		C-45, C-48				C-45		C-48		C-46, C-49			C-47, C-50
	Standard 3-Speed Transmission			Standard 3-Speed Transmission		Prestomatic Transmission				Prestomatic Transmission		4-Door Sedan Club Coupe			Town and Country	Conv. Coupe	Crown Imperial		
	4-Door Sedan Club Coupe	8-Pass. Sedan	Conv. Coupe	Station Wagon	Station Wagon	4-Door Sedan Club Coupe	8-Pass. Sedan	Town Sedan	Conv. Coupe	Station Wagon	Station Wagon	4-Door Sedan Club Coupe	Town and Country	Conv. Coupe	Crown Imperial				
2	31 3/4	31 3/8	31 3/4	31 3/4	31 3/4	31 3/4	31 3/8	31 3/8	31 3/4	31 3/4	31 3/4	31 3/8	31 3/8	31 3/8	31 3/4				
3	22	22	22	22	22	22	22	22	22	22	22	22	22	22	22				
4	50	50 1/8	50	50	50	50	50 1/8	50	50	50	50	50	50	50	50 1/8				
5	55 1/2	55 1/8	56	55 1/2	55 1/2	55 1/2	55 1/8	55 1/8	56	55 1/2	55 1/2	55 1/8	56 1/8	56 1/8	55 1/2				
6	52	52	54 1/8	52	52	52	52 1/8	54 1/8	52	52	52	52 1/8	54 1/2	54 1/2	52 1/2				
7	54 1/4	53 3/8	—	54 1/4	54 1/4	54 1/4	53 3/8	54 1/8	—	54 1/4	54 1/4	54 1/8	—	—	53 3/4				
8	53	56 3/8	53	53	53	53	56 3/8	53 1/8	53	53	53	53 1/8	53 1/8	53 1/8	56 1/2				
9	43 1/2	50 1/8	43 1/2	43 1/2	43 1/2	43 1/2	60 3/8	43 1/8	43 1/2	43 1/2	43 1/2	43 1/8	43 1/8	43 1/8	50 1/4				
10	71 1/8	71 1/8	71 1/8	71 1/8	71 1/8	71 1/8	71 1/8	71 1/8	71 1/8	71 1/8	71 1/8	71 1/8	71 1/8	71 1/8	71 1/8				
11	25 1/2	25 1/2	28	25 1/2	25 1/2	25 1/2	25 1/2	25 1/2	28	25 1/2	25 1/2	25 1/2	25 1/2	28	25 1/2				
12	47 1/2	51 1/4	57 1/2	47 1/2	47 1/2	47 1/2	51 1/4	47 1/2	57 1/2	47 1/2	47 1/2	47 1/2	57 1/2	57 1/2	51 1/4				
13	57 1/2	70 1/8	—	57 1/2	57 1/2	57 1/2	70 1/8	—	—	57 1/2	57 1/2	57 1/2	—	—	70 1/8				
14	75 1/2	80 1/8	77 1/2	75 1/2	75 1/2	75 1/2	80 1/8	75 1/2	77 1/2	75 1/2	75 1/2	75 1/2	75 1/2	77 1/2	80 1/8				
15	7 1/2	7 3/8	7 3/8	7 3/8	7 3/8	7 3/8	7 3/8	7 3/8	7 3/8	7 3/8	7 3/8	7 3/8	7 3/8	7 3/8	7 3/8				
16	12 3/8	12 3/8	12 3/8	12 3/8	12 3/8	12 3/8	12 3/8	12 3/8	12 3/8	12 3/8	12 3/8	12 3/8	12 3/8	12 3/8	12 3/8				
17	4 3/8	4 3/8	4 3/8	—	—	4 3/8	4 3/8	4 3/8	—	—	—	4 3/8	4 3/8	4 3/8	4 3/8				
18	176 1/2	190 3/4	178 1/2	176 1/2	176 1/2	176 1/2	190 3/4	182 1/2	176 1/2	176 1/2	176 1/2	182 1/2	190 3/4	182 1/2	196 1/2				

* ± 1/8 ** ± 1/4 † ± 1/16

	C-51				C-51				C-52, C-54			C-53
	Standard 3-Speed Transmission				Fluid-Matic Drive Transmission				Standard Fluid-Matic Drive Transmission			Standard Fluid-Torque Drive Transmission
	4-Door Sedan Club Coupe Traveler	8-Passenger Sedan Limo.	Conv. Coupe Newport	T and C Station Wagon	4-Door Sedan Limo. Traveler	8-Passenger Sedan Limo.	Conv. Coupe Newport	T and C Station Wagon	4-Door Sedan Club Coupe	Conv. Coupe Newport	8-Passenger Imperial	
2	31-1/4	31-27/32	31-3/4	31-3/4	31-3/4	31-27/32	31-3/4	31-3/4	31-13/16	31-13/16	31-7/8	
3	23-1/2	23-1/2	23-3/2	23-1/2	23-1/2	23-1/2	23-1/2	23-1/2	23-1/2	23-1/2	23-1/2	
4	50	50-1/32	50	50	50	50-1/32	50	50	50	50	50-1/16	
5	55-5/8	55-21/32	56	55-5/8	55-5/8	55-21/32	56	55-5/8	55-11/16	56-1/16	55-11/16	
6	52	52	54-7/16	52	52	52	54-7/16	52	52-1/16	54-1/8	52-1/32	
7	54-1/4	53-23/32	—	54-1/4	54-1/4	53-23/32	—	54-1/4	54-5/16	—	53-3/8	
8	53	56-27/32	53	53	53	56-27/32	53	53	53-1/16	53-1/16	56-7/8	
9	43-1/2	50-7/32	43-1/2	43-9/16	43-1/2	60-7/32	43-1/2	43-11/16†	43-9/16	43-9/16	50-1/4	
10	7-1/16	7-1/16	7-1/16	7-1/16	7-1/16	7-1/16	7-1/16	7-1/16	7-1/16	7-1/16	7-1/16	
11	25-1/2	25-1/2	28	25-1/2	25-1/2	25-1/2	28	25-1/2	25-1/2	28	27-1/2	
12	47-1/8	51-1/4	57 1/8	47-1/8	47-1/8	51-1/4	57-1/8	47-1/8	47-1/8	47-1/8	53-1/4	
13	57-1/8	70-7/16	—	57-1/8	57-1/8	70-7/16	—	57-1/8	57-1/8	—	72-7/16	
14	75-3/4	89-11/16	77-1/4	75-3/4	75-3/4	89-11/16	77-1/4	75-3/4	75-3/4	77-1/4	81-1/16	
15	7-9/16*	7-39/64*	7-9/16*	7-9/16*	7-9/16*	7-9/16*	7-9/16*	7-9/16*	7-9/16*	7-9/16*	7-5/8	
16	12-3/32*	12-3/32*	12-3/32*	12-3/32*	12-3/32**	12-3/32**	12-3/32**	12-3/32**	12-3/32**	12-3/32**	12-3/32	
17	4-13/32*	4-13/32*	4-13/32*	—	—	4-13/32*	—	—	—	—	4-13/32*	
18	176-1/8	180-1/8	176-1/8	176-1/8	176-1/8	190-1/8	176-1/8	176-1/8	182-1/8	182-1/8	196-1/8	

* ± 1/8 ** ± 1/8 † ± 1/16

CHRYSLER 1949 WIRING

Model C45. ALL BODY STYLES

