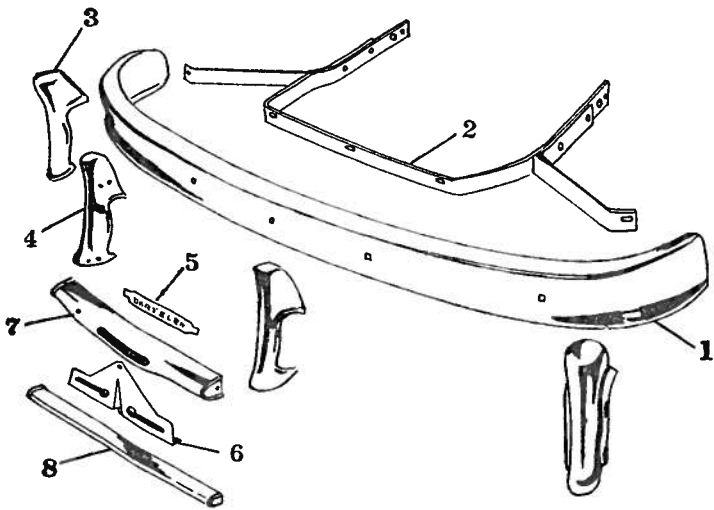


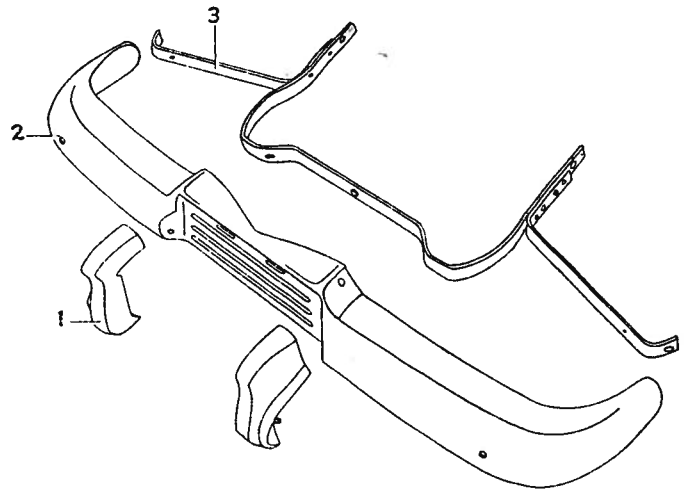
CHRYSLER 1949-50 BODY PARTS

Models C45, C46, C48, C49. ALL BODY STYLES



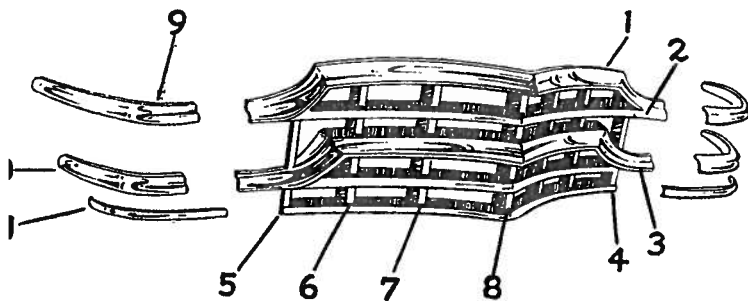
FRONT BUMPER—1949

Item Part No.	Description	Price	Item Part No.	Description	Price
1134027	Face bar, 4-d. c. cpe. conv. cpe.	42.50	4 1318281	License guard, left, 7 sed. limo. sta. wag.	9.25
1137839	Face bar, 7 sed limo. sta. wag.	47.50	1314081	Reinforcement lic. guard	.25
1137815	Support bar, 4-d. c. cpe. conv. cpe.	6.75	5 1314074	Medallion lic. guard	1.65
1137842	Support bar, 7 sed. limo. sta. wag.	7.75	6 1313122	Lic. plate assy.	.85
1142189	Plate bumper buffer, sta. wag.	9.75	1314082	Lic. guard brkt., chrome	1.95
1312559	Bumper buffer, 4-d. c. cpe. conv. cpe.	8.75	7 1314089	Bar lic. guard tie, upper	4.50
1142188	Bumper buffer, 7 sed. limo. sta. wag.	9.75	7 1318275	Bar lic. guard tie, up, 7 sed. limo. sta. wag.	4.50
1318270	Bumper buffer, 7 sed. limo. sta. wag.	9.75	8 1314088	Bar lic. guard tie, lower	4.00
1313566	License guard, left	9.25	8 1318279	Bar lic. tie, lower, 7 sed. limo. sta. wag.	4.25



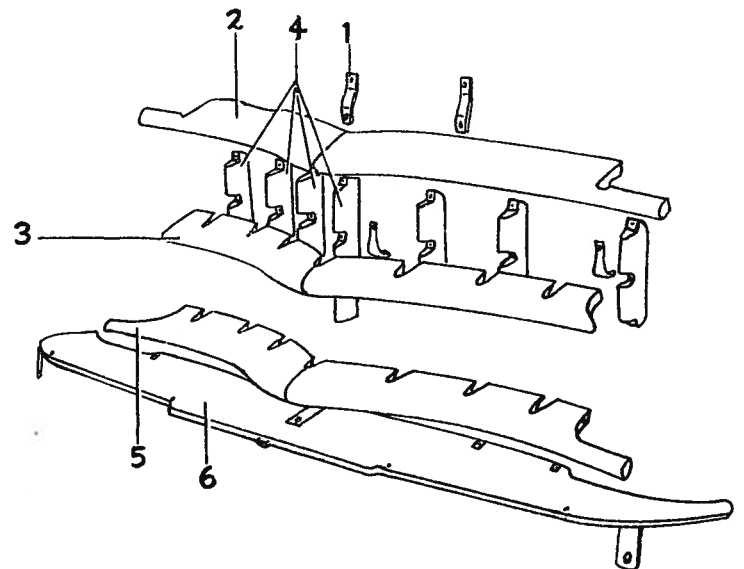
FRONT BUMPER—1950

Item Part No.	Description	Price
1 1319638	Plate, bmpr. buffer	9.70
2 1319606	Bar, bumper face.	44.65
3 1319628	Support, bumper face bar	12.45



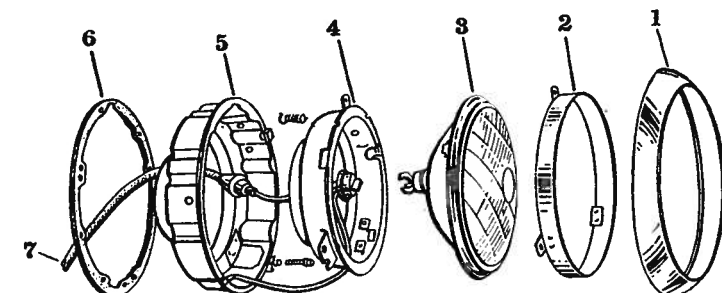
GRILLE ASSEMBLY—1949

Item Part No.	Description	Price	Item Part No.	Description	Price
1298356	Molding, grille, upper (horizontal)	14.25	6 1298364	Bar, outer, intermediate (vertical)	2.85
1298357	Mldg., intermediate up. (horizontal)	9.25	7 1299853	Bar, inner, intermediate (vertical)	2.95
1298358	Mldg., center (horizontal)	14.25	8 1298365	Bar, C. (vertical)	3.05
1298359	Mldg., lower housing (horizontal)	9.25	9 1298367	Fender grille extension up. midg.	4.75
1298360	Mldg., lower housing (narrow)	9.25	10 1298369	C. extension left midg.	3.65
1298362	Bar, outer (vertical), left	2.75	11 1298371	Lower exten. mldg.	2.25



GRILLE ASSEMBLY—1950

Item Part No.	Description	Price	Item Part No.	Description	Price
1 1335596	Bracket, support to radiator grille	.65	1335524	Extension, fender grille, top bar (C-49)	3.30
2 1335473	Bar, rad. grille top	16.95	1335569	Extension, fender grille, bottom bar (C-48)	2.35
3 1335501	Bar, rad. grille, center	16.10	1335571	Extension, fender grille, bottom bar (C-49)	2.35
4 1335514	Bar, rad. grille, vertical center	3.20	1335500	Plate, front fender grille extension (C-49)	7.50
4 1335519	Bar, rad. grille, vertical, outer	3.00	6 1335526	Deflector, rad to bumper	7.05
5 1335502	Bar, rad. grl., btm.	16.65			
1335552	Extension, fender grille, top bar (C-48)	3.30			

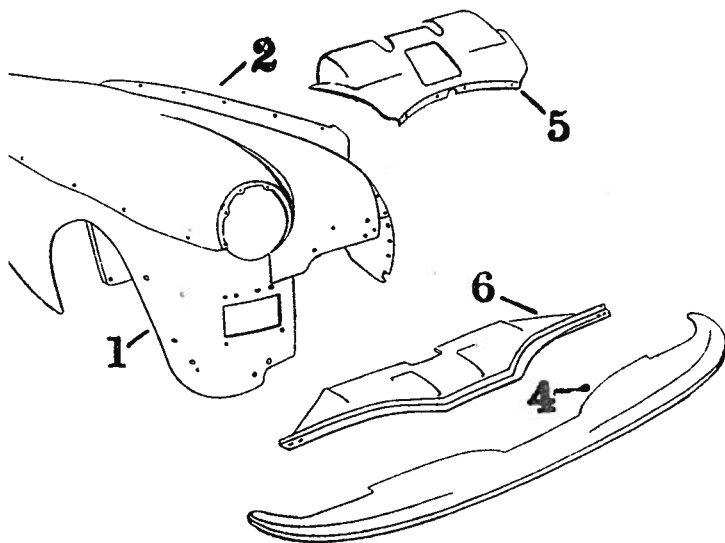


HEADLAMP ASSEMBLY

Item Part No.	Description	Price	Item Part No.	Description	Price
1a 1302433	Hd lamp, assembly	10.95	5 1154200	Shell assy.	2.80
1a 1340259	Hd lamp, assy., '50.	6 997686	Mounting gasket	.15
1 1239411	Door assy.	3.95	6 1310488	Gasket, 1950
2 946942	Retaining ring	1.55	7 1302431	Cable and socket assy.	1.55
3 1297667	Bulb assy.	1.30		
4 946940	Seat assy.	1.55	7 1340257	Cable & socket, '50

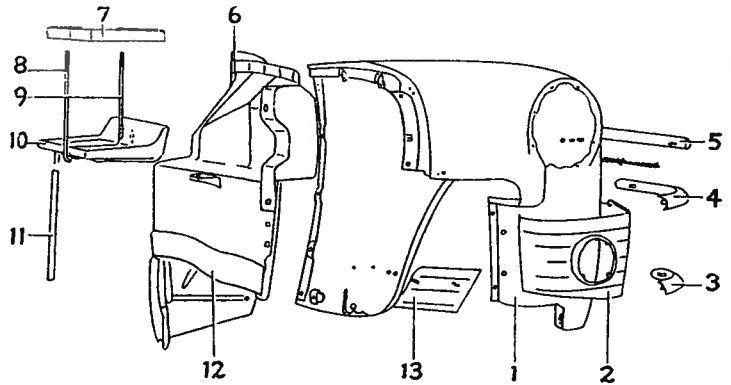
BODY PARTS 1949-50 CHRYSLER

Models C45, C46, C48, C49. ALL BODY STYLES



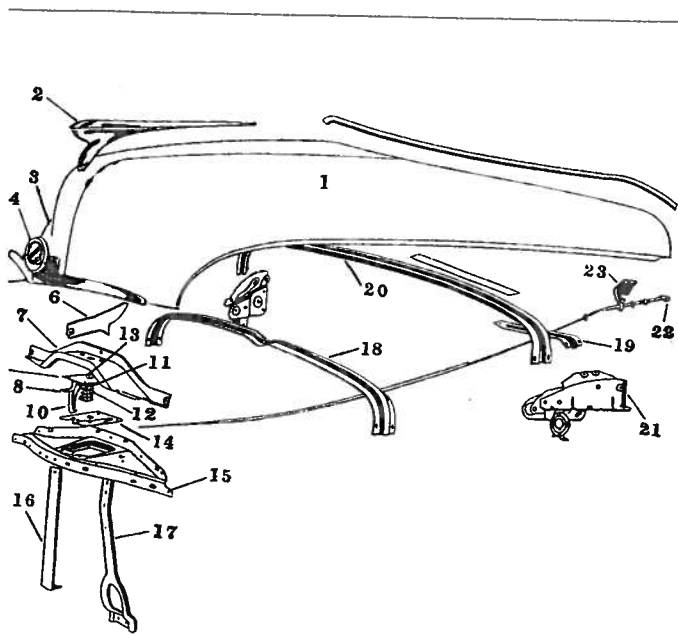
FRONT FENDER—1949

Part No.	Description	Price	Item Part No.	Description	Price
41187	Fender assembly..	42.50	4 1241994	Stone deflector	6.70
39140	Shield, comp. assy.	11.85	4 1299536	Stone deflector, 7	6.70
38158	Brkt. fender shield	1.35	sed. limo. sta. wag.....	2.75	
14662	Brkt. fender to frame85	5 1241320	Shield radi., upper	2.75
			6 1240546	Dust shield, front..	3.25



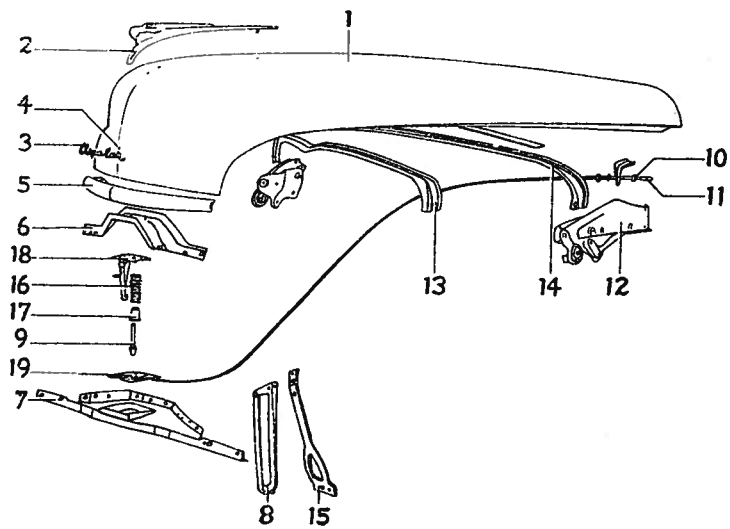
FRONT FENDER—1950

Item Part No.	Description	Price	Item Part No.	Description	Price
1 1335613	Fndr. assy. (C-48)	40.55	5 1335567	Molding, fender side (C-49)	11.05
1 1335623	Fender (4-d. sed., C. cpe., conv. cpe., C-49)	46.80	5 1303087	Molding, side (C-49, town & country) ..	11.60
1 1335678	Fender (C49, town & country)	46.80	6 1139140	Shield (C-48)	12.45
2 1335500	Plate (C-49, C-50)	7.50	6 1140054	Shield (C-49, C-50)	12.45
3 1335569	Exten., bottom bar (C-48)	2.35	7 865414	Strap, btry. holdwn.	.90
3 1335571	Extension, bottom bar (C-49, C-50)	2.35	8 1142574	Stud, long40
4 1335552	Extn., top bar (C-48)	3.30	9 1313175	Stud, short40
4 1335524	Extension, top bar (C-49, C-50)	3.30	10 1142062	Battery carrier ..	2.15
5 1335656	Molding, fender side (C-48)	9.70	11 869357	Drain tube (specify by the foot)30
			12 1242974	Seal (spec. by ft.)	.30
			13 1254993	Ormt, left (C-48)	2.35
			13 1335604	Ornament, left (C-49, C-50)	3.50



HOOD ASSEMBLY—1949

Part No.	Description	Price	Item Part No.	Description	Price
1358	Hood panel assy.	47.50	14 1240225	Hood lock, lower half assy.	2.25
1366	Ornament, hood top	9.45	15 1241301	Support, lower lock	1.35
1327	Retainer	1.35	16 1300418	Brace, lock support	.60
1322	Medallion, hood, F. (lastic)	1.45	17 1298956	Brace, lower lock support	1.35
1365	Molding, hood, F.	6.25	18 1254609	Strainer, hinge pan.	2.05
1392	Brace hood strainer, ont35	19 1244826	Brace, hood panel..	1.05
1299	Hood lock support	1.55	20 1297520	Strainer, int. pan.	1.05
1294	Lock, hood, up. half	1.75	21 1256118	Hood hinge assy. (early) Ser. No.	5.45
123	Plate, up. base assy.	.50	21 1306800	Hood hinge assy. (late) Ser. No.	5.45
1295	Hood catch safety15	22 1300622	Knob and wire assy.	1.75
1262	Spring15	23 1301348	Support, hood lock assy.45
1263	Retainer10			
1261	Striker, hood lock..	.35			

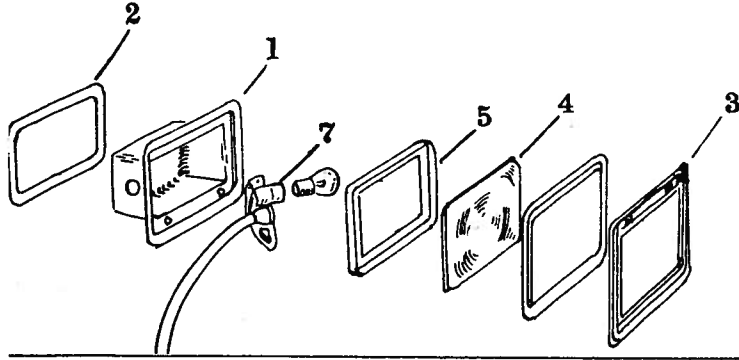


HOOD ASSEMBLY—1950

Item Part No.	Description	Price	Item Part No.	Description	Price
1 1335607	Panel, hood assy. (C-48)	50.95	10 1339616	Housing, hood lock control (7 sed., C-50)	1.50
1 1335600	Panel, hood assy. (C-49, C-50)	87.80	11 1339615	Knob & wire lock control (7 sed., C-50)	2.05
2 1335540	Ormt., hood top	9.45	11 1300622	Knob & wire lock control (C-48, C-49)	1.85
	1335565—Spacer, hood top ornament, rear15	11 1300625	Knob & wire lock control (limo., C-50)	2.05
3 1335633	Pl., hood frt. name	1.75	932143	Stop, hd. lock cntrl.	.10
4 1335851	Medallion, hood front assy. (C-48)	3.60	12 1346803	Hinge (C-48)	5.70
5 1335520	Mldg., hood front.	5.00	12 1256118	Hinge (C-49, C-50)	5.70
6 1335937	Support, hood panel lock assy.	2.35	12 1346806	Hinge (town & country, C-49, C-50)	5.70
	1335663—Supt. & cross brace, low. lock	2.90	13 1254609	Strainer, hd. hinge	2.15
7 1335596	Brkt., hood lower lock support65	14 1297520	Strainer, hood hinge, intermediate	1.10
8 1335703	Brace, support to rad. cross bar95	15 1298956	Brace, supt. to rad.	.95
9 1335226	Striker, hood lock upper base plate40	16 906062	Spring10
10 1300619	Housing, hood lock control (C-48, C-49)	1.35	17 1335225	Retainer spring ..	.20
			18 1335222	Lock, upper half..	1.65
			19 1240225	Lock, lower half..	1.65

CHRYSLER 1949-50 BODY PARTS

Models C45, C46, C48, C49. ALL BODY STYLES



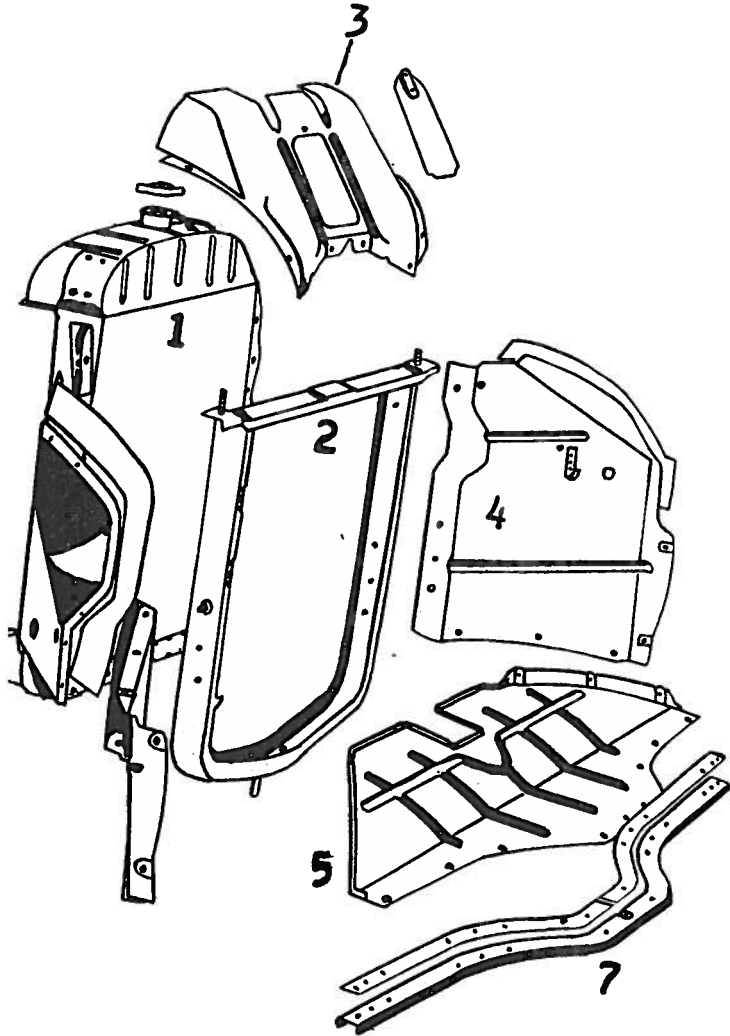
PARKING LAMP ASSEMBLY

1949 Illustrated

Item	Part No.	Description	Price
1	1297916	Housing assy.	2.20
2	1297924	Mounting gasket ..	.75
	1257223	Flash. signal, assy.	1.65
3	1297925	Bezel	2.35
4	1297922	Lens	1.25
5	1297923	Lens mount. gasket	.65
	1244681	Cable assy.	2.60
7	1241138	Socket park. lamp assy.	1.35

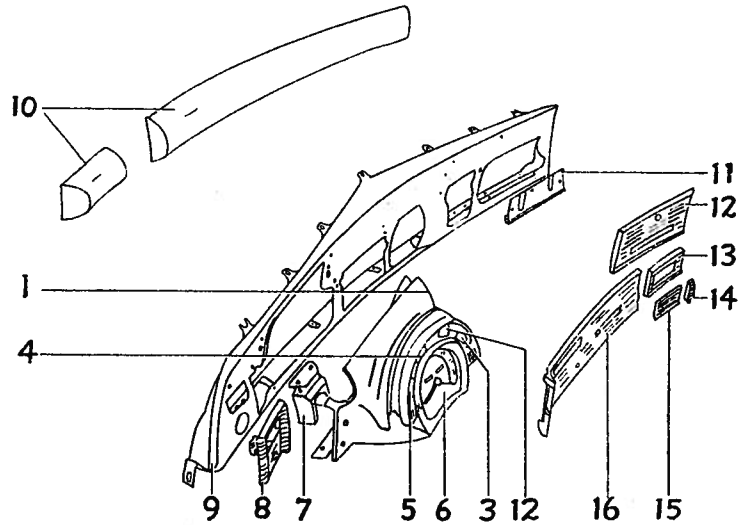
1950 Not Illustrated

Part No.	Description	Price
1343228	Bezel, parking lamp (C-48)	2.45
1340179	Bezel, parking lamp (C-49, C-50)	1.90
1343218	Lens, parking lamp (C-48)95
1297832	Lens, parking lamp (C-49, C-50)65
1340052	Housing, parking lamp (C-49, C-50)	2.50
1343226	Housing, parking lamp (C-48)	2.80
1343266	Cable, prk. Imp., '50	1.40



AIR SCOOPS AND RADIATOR

Item Part No.	Description	Price	Item Part No.	Description	Price
1239500	Core, rad assy. (C-45, C-48)	76.95	4 1241868	Shield, rad. side, w/seal (C-45)	4.45
1253794	Core, rad. assy. (C-46, C-47, C-49, C-50)	114.70	4 1242956	Shield, rad. side, w/seal complete (C-46) ..	4.45
1244437	Core, rad. assy., high alt. (C-45, C-48)	83.00	4 1335759	Shield, rad. assy. (C-48)	4.45
1335818	Support, rad. assy. (C-45)	7.10	5 1240546	Rad. dust shield (C-45)	2.90
1241371	Support, rad. assy., w/horn brkt. (C-46)	9.45	5 1241328	Rad., dust shield (C-46)	3.50
1335818	Support, rad., complete assy. (C-48)	7.05	5 1335630	Rad., dust shield (C-48)	2.90
1335701	Support, rad., w/horn brkt. (C-49, C-50)	9.45	5 1335641	Rad., dust shield (C-49, C-50)	3.50
1241320	Shield, rad, upper (C-45, C-48)	3.70	7 1240510	Rad. cross bar assy., 1949	1.65
1241452	Shield, rad., upper (C-46, C-49, C-50)	4.75	7 1335484	Rad. cross bar assy., 1950	2.15
1335714	Shield, rad size (C-49, C-50)	4.45	1240288	Cover, upper shield hand hole45

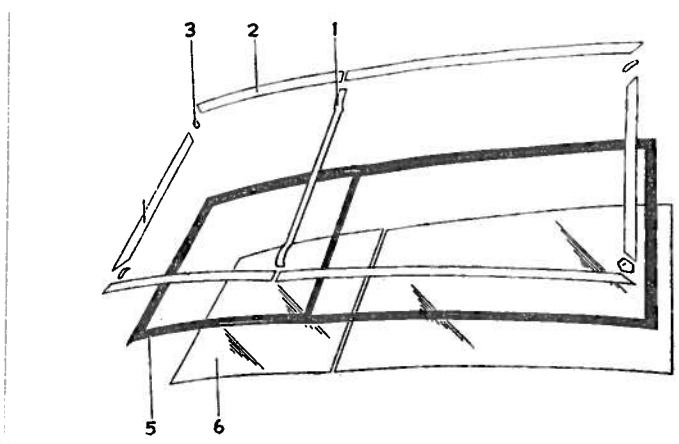
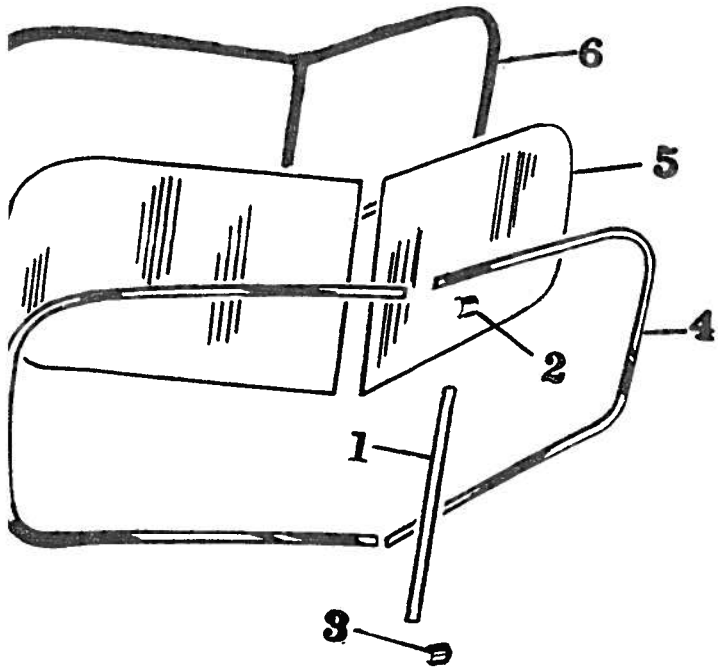


INSTRUMENT PANEL

Item Part No.	Description	Price	Item Part No.	Description	Price
1 1345094	Housing instrmnt., spdmt. (twn. sed.), 1950.	13.15	5 1345122	Ammeter, assy., C-48 (twn. sed.), 1950....	2.50
1 1252627	Housing (4-d. sed. & club cpe.)	13.15	5 1339811	Ammeter assy. (C-49, C-50), 1950	2.60
1 1252627	Hsng. (conv. cpe., 7 sed., sta. wag. tw. ctry.)	13.15	6 1340327	Spdmt. partial assy. (mile), C-48	3.10
1 1257608	Hsng., instrmts., '49	2.00	6 1345121	Speedometer (twn. sed.), C-48	17.25
1 1257618	Housing instrmts., & speedometer (7 sed.) ..	6.15	6 1339805	Speedmt., partial (mile), C-49, C-50	17.25
1 1310429	Hsng., instruments complete assy., 1950	1.90	6 1257598	Speedometer assy. (mile), C-45	17.25
1 1257591	Hsng. instrmts spdmt., outer (C-50)	5.60	6 1257627	Speedometer assy. (mile), C-46, C-47	17.25
1340297	Gage, oil (exc. tw. sed.), C-48, 1950	2.85	7 1308503	Brkt., steer. post ..	1.85
1257606	Gage, oil, 1949	2.55	8 1331040	Mldg. end (driver side), C-48, C-49	21.80
1345123	Gage, oil (twn. sed.), C-48, 1950	2.55	8 1342063	Mld. end, driver side (7 sed.), C-50, 1950 ..	4.20
1339821	Gage, oil (C-49, C-50), 1950	2.75	8 1253557	Mldg., panel end (C-45, C-46)	4.20
3 1257604	Gage, temperature (Fahrenheit), 1949	4.40	9 1253550	Panel, instrmt. assy.	18.65
3 1340299	Gage, temperature (C-48), 1950	4.80	9 1338307	Panel, instrmt. assy. (fin.) (limo.), C-50	18.65
3 1345125	Gage, temperature (twn. sed.), C-48, 1950 ..	4.40	9 1337071	Panel, instrmt. assy. (white) (limo.), C-48, C-50	18.65
3 1339824	Gage, temperature (C-49, C-50)	4.80	9 1336439	Panel, for black front compartment (limo.)	22.85
4 1257602	Gage, fuel assy. (C-45, C-46), 1949	3.30	10 1291501	Pad, left (all trims) (4-d. C. cpe., sta. wag.) ..	6.75
4 1308368	Gage, fuel assy. (C-47), 1949	3.40	10 1290914	Pad, left (all trims) (conv. cpe. & spec. C. cpe.)	7.00
4 1340300	Gage fuel assy. (exc. sta. wag & tw. sed.), C-48	3.55	10 1291917	Pad, left (codes 75, 76, 77) (twn. & ctry.), '50	7.00
4 1345199	Gage, fuel assy. sta. wag., C-48, 1950	3.55	10 1292545	Pad, left (7 sed. & limo.), 1950	6.75
4 1345124	Gage, fuel assy. (twn. sed.), C-48, 1950 ..	3.30	11 1299973	Hinge, glove box door check	1.30
4 1339915	Gage, fuel assy. (C-49), 1950	3.45	12 1301055	Door, glove box	8.40
4 1339817	Gage, fuel assy., (C-50), 1950	3.45	12 1342049	Door, glove box (7 sed. & limo.), C-50	8.95
5 1257600	Ammeter, assy. (C-45), 1949	2.50	13 1255134	Bezel, instrument panel clock	2.20
5 1257638	Ammeter, assy. (C-46, C-47), 1949	2.50	14 1255135	Mldg., instrument panel spacer75
5 1339806	Ammeter, assy., C-48 (exc. tw. sed.), 1950	2.60	15 1255109	Plate, panel ash receiver face	1.95
			15 1331037	Plate, drv. side, '50	.90
			16 1253561	Grille panel center	13.90

BODY PARTS 1949-50 CHRYSLER

Models C45, C46, C48, C49. ALL BODY STYLES



WINDSHIELD

4-DOOR SEDAN CLUB CPE.
7 SED. LIMO AND STA. WAG.

Item No.	Description	Price
13904	Bar, div., 4-d. C.	1.85
16356	Bar, div. sta. wag.	2.25
14960	Bar, div., 7 sed.	2.25
	and limo.	2.25

Item Part No.	Description	Price
2 1256331	Clip, upper	.35
3 1256332	Clip, lower	.35
4 1256330	Mldg., outside, 4-d. c. cpe.	3.70

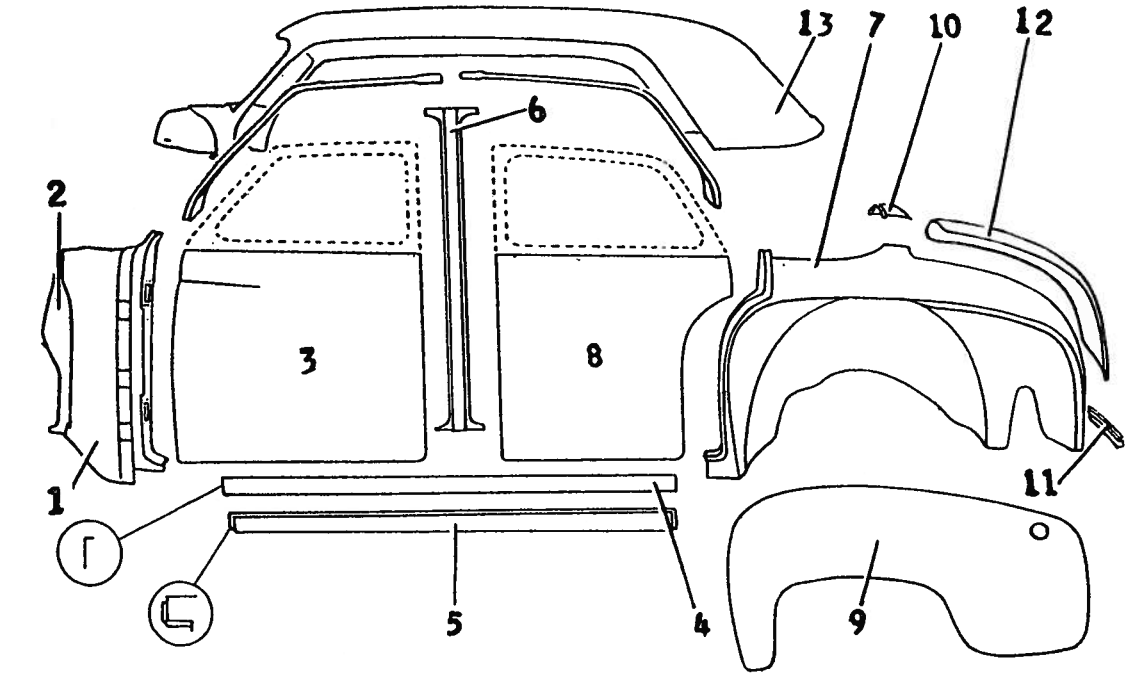
WINDSHIELD TOWN AND COUNTRY CLUB CPE. CONV. CPE.

Item Part No.	Description	Price
4 1305135	Mldg., outside, 7 sed. and limo.	4.35
5 1243579	Glass, windshld. 4-d. c. cpe.	P.O.A.
5 1255798	Glass, windshld. sta. wag.	P.O.A.
5 1304654	Glass, windshld., 7 sed. and limo., C-48	P.O.A.
5 1305065	Glass, windshld., 7 sed. and limo., C-50	P.O.A.
6 1244038	W/strip, 4-d. c. cpe.	7.70
6 1296358	W/strip, windshld. sta. wag.	7.90
6 1304655	W/strip, windshld., 7 sed. and limo.	7.90

Item Part No.	Description	Price
1 1249340	Bar, division, C-45, C-46, C-49	2.45
1 1247620	Bar, division, C-48	1.80
2 1303247	Mldg., up, chrome	6.85
3 1248850	Clip, upper side, C-45, C-46, 1949	.35
3 1303488	Clip, upper, C-45, C-48, conv. cpe.	.30
3 1248851	Clip, lower side, C-45	.35
3 1303490	Clip, lower joint, C-45, C-48	.35
	1248847—Mldg., lower, chrome	2.55
5 1246584	W/strip	10.50
6 1246583	Glass	P.O.A.

BODY SHEET METAL AND FUEL TANK 4-DOOR SEDANS

Item No.	Description	Price
0723	Panel, cowl side	19.45
4135	Panel, dash assy.	10.25
3037	Panel, door repair, 1949	13.15
4826	Panel, door repair, 1950	13.15
0644	Panel, body sill inner 4-d. sta. wag.)	5.00
0642	Panel, body sill outer (4-d. sta. wag.)	6.55
3916	Pillar, body center	11.05
9062	Panel, quarter side rear, 1949	53.05
0810	Panel, quarter side rear, 1950	53.05
9340	Panel, rear door repair	13.15
4455	Fender, rear, C-46, 1949	17.75
3901	Fender, rear, C-48, 1949, 1950	17.75
6095	Fender, rear, C-45, 1949	17.75
7571	Fender, rear (7 sed. and limo.) 1949	17.75
3486	Fender, rear (stn. wagon) C-48, 1950	17.75
4167	Fender, rear (est. wagon) C-48, 1950	17.75
1226	Fender, rear (7 sed. and limo.) C-48, 1950	17.75
4174	Fender, rear (twn. and ctry.) C-49, 1950	36.75
3947	Fender, rear, C-50, 1950	45.90
3065	Panel, rear deck upper, 1949	5.50
2739	Panel, rear deck upper, 4-d., 1950	5.50
1331	Panel, rear deck lower	6.05
1540	Panel, rear deck upper (7 sed. and limo.)	6.05



Item Part No.	Description	Price
12 1255485	Lid, rear deck assy., 4-d., 1949	38.35
12 1247877	Lid, rear deck assy. (7 sed. and limo.) 1949	38.35
12 1331857	Lid, rear deck assy., 4-d., 1950	38.35

Item Part No.	Description	Price
12 1341021	Lid, rear deck assy. (7 sed. and limo.) 1950	38.35
13 1239032	Panel, roof assy., 1949	117.50
13 1340827	Panel, roof assy., 1950	117.50
13 1308756	Panel, roof repair	35.20

Part No.	Description	Price
1138587	Tank, fuel assy., C-45, C-48	13.45
1138586	Tank, fuel assy., C-46, C-49	16.55
1126688	Strap, fuel tank support, C-45, C-48	.65
1126689	Strap, fuel tank support, C-46, C-49	.75

CHRYSLER 1949-50 BODY PARTS

Models C45, C46, C48, C49. ALL BODY STYLES

BODY SHEET METAL STATION WAGON Not Illustrated

Part No.	Description	Price
1240723	Panel, cowl side...	19.45
1244135	Panel, dash assy...	10.25
1299399	Panel, door upper (Honduras)	10.75
1299397	Panel, door upper (Vermilion)	10.75
1299405	Panel, door lower (Honduras)	18.40
1299403	Panel, door lower (Vermilion)	18.40
1240644	Panel, body sill, inner	5.00

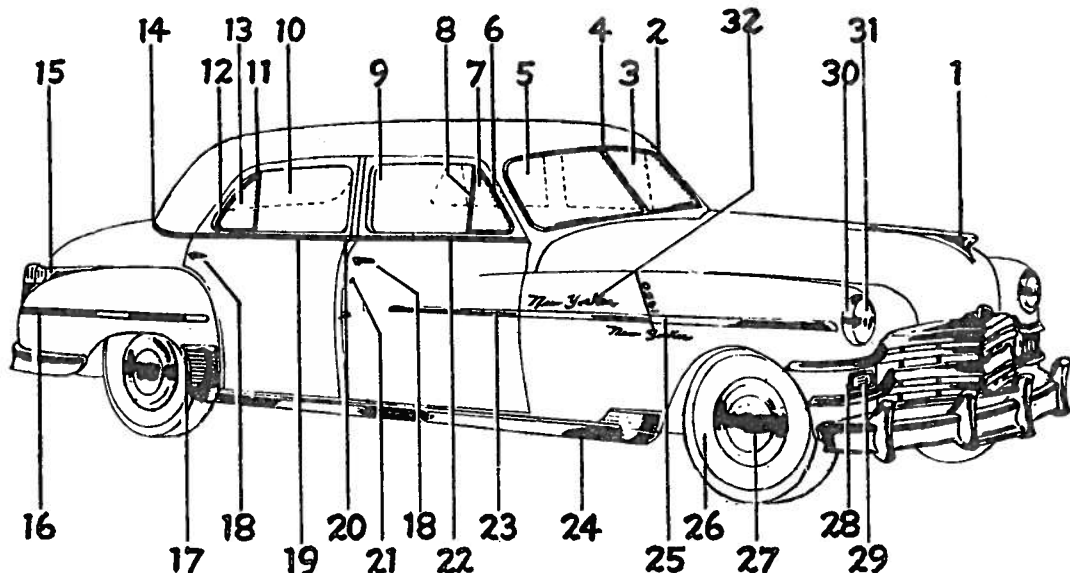
Part No.	Description	Price
1298774	Panel, body sill, outer, 1949	8.95
1298774	Panel, body sill, outer, 1950	8.95
1255925	Pillar, body center, 1949	39.40
1255889	Pillar, body center, 1950	39.40
1299423	Panel, rear quarter side (Honduras) 1949	7.90
1334726	Panel, rear quarter side (Honduras) 1950	7.90

Part No.	Description	Price
1299421	Panel, rear quarter side (Vermilion)	7.90
1299411	Panel, rear door upper (Honduras) 1949	10.25
1299409	Panel, rear door upper (Vermilion)	10.25
1299417	Panel, rear door lower (Honduras)	11.30
1299415	Panel, rear door lower (Vermilion)	11.30
1301280	Wheelhouse w/extension panel	22.85

Part No.	Description	Price
1307880	Fender, rear, 1949	17.75
1333486	Fender, rear, 1950	17.75
1314776	Tank, fuel assy. (17 gallon) 1950	16.55
1311996	Tank, fuel assy., 1949	20.50
1311993	Strap, fuel tank support, 1949	.65
1314726	Strap, fuel tank support, 1950	1.20

BODY MOULDINGS WHEELS & GLASS 4-DOOR SEDANS

Part No.	Description	Price
1299366	Ornament, hood top, 1949	9.90
1335540	Ornament, hood top, 1950	9.45
1256330	Mldg., windshield, 4-d.	3.30
1305135	Mldg., windshield (7 sed. limo.)	4.35
1243904	Bar, division, 4-d.	1.85
1304960	Bar, division (7 sed. and limo.)	2.25
1256331	Clip, upper	.35
1256332	Clip, lower	.35
1243579	Glass, windshield, 4-d.	P.O.A.
1304654	Glass, windshield (7 sed. and limo.)	P.O.A.
1309135	Frame, door vent wing, 4-d., 1950	4.20
1243563	Frame, door vent wing, 4-d., 1949	4.20
1304607	Frame, door vent wing (7 sed. and limo.) 1949	9.20
1338899	Frame, door vent wing (7 sed. and limo.) 1950	9.20
1243559	Glass, door vent wing, 4-d., 1949	P.O.A.
1309139	Glass, door vent wing, 4-d., 1950	P.O.A.
1304610	Glass, door vent wing (7 sed. and limo.) 1950	P.O.A.
1296601	Mldg., door division channel, outer	.60
1296602	Mldg., door division channel, inner	.65
1241365	Glass, front door window, 4-d.	P.O.A.
1303821	Glass, front door window (7 sed. and limo.)	P.O.A.
1240255	Glass, rear door window, 4-d., 1949	P.O.A.
1308969	Glass, rear door window, 4-d., 1950	P.O.A.
1304265	Glass, rear door window (7 sed. and limo.) 1950	P.O.A.
1296602	Mldg., rear door division channel, outer	.65
1296601	Mldg., rear door division channel, inner	.60
1243398	Frame, rear door vent. wing, 4-d., 1949	4.05
1309145	Frame, rear door vent. wing, 4-d., 1950	4.05
1243394	Glass, rear door vent wing	P.O.A.
1256171	Mldg., rear quarter belt, 4-d.	3.85
1305131	Mldg., rear quarter belt (7 sed. and limo.)	4.25
1300629	Base, tail lamp, C-46, 1949	10.30
1300570	Base, tail lamp, C-45, 4-d., 1949	10.30
1302669	Base, tail lamp (7 sed. and limo.) C-45	13.45
1302556	Housing, tail lamp (sta. wag.) C-45, 1949	5.00
1297713	Bezel, tail lamp (sta. wag.) C-48, 1950	2.25



Item Part No.	Description	Price
15 1340245	Bezel, tail lamp (4-d. 7 sed. and limo.) 1950	2.50
16 1253717	Mldg., rear fender, C-45, C-46, C-48	9.70
16 1296004	Mldg., rear fender, 4-d., C-45, 1949	9.70
16 1333998	Mldg., rear fender, C-48, C-49, 1950	9.70
17 1301519	Shield, rear fender, 4-d., C-45, 1949	7.10
17 1301781	Shield, rear fender (7 sed. limo. sta. wag.)	7.10
17 1364134	Shield, rear fender (est. wgn.) C-48, 1950	5.70
17 1333978	Shield, rear fender, 4-d., 1950	5.70
17 1341157	Shield, rear fender (7 sed. and limo.) C-48	7.10
18 1244211	Handle, rear door, 4-d.	2.95
18 1244209	Handle, front door, 4-d.	2.95
19 1256168	Mldg., rear door belt, 4-d.	2.35
19 1304899	Mldg., rear door belt (7 sed. and limo.)	3.05
20 1256169	Mldg., center pillar belt	.55
20 1305132	Mldg., center pillar belt (7 sed. limo.)	.80
21 1315110	Lock cylinder	2.05
22 1256166	Mldg., front door belt	2.35
23 1296008	Mldg., door fender extension, C-45	2.20
23 1252850	Mldg., door fender extension, C-45W	2.35
23 1297098	Mldg., door fender extension, C-46	3.00
23 1334043	Mldg., door fender extension, C-48	2.00

Item Part No.	Description	Price
23 1303089	Mldg., front door fender extension, C-50	3.50
24 1254993	Ornament, front fender skirt	2.35
24 1335604	Ornament, front fender skirt, C-49, C-50	3.50
25 1256517	Mldg., front fender side (early) C-45	3.75
25 1244489	Mldg., front fender side (later) C-45	3.75
25 1296953	Mldg., front fender side, C-46	11.25
25 1335567	Mldg., front fender side, C-49	11.05
25 1335656	Mldg., front fender side, C-48	9.70
26 1142887	Wheel, assy. (15x5.50) C-45, C-48	11.05
26 1136619	Wheel, assy. (15x6.00) 7 sed. limo. sta. wag.)	12.50
26 1142895	Wheel, assy. (15x6.50) C-47, C-50	5.00
27 1142879	Cover, w/painted rim, C-45, C-46, C-48	7.70
27 1142850	Cover (stainless steel) C-45, C-46, C-48	7.70
27 1140690	Cover (stainless steel) C-47, C-48, C-49, C-50	9.70
28 1297925	Bezel, parking lamp, 1949	2.45
28 1343228	Bezel, parking lamp, C-48	2.45
28 1340179	Bezel, parking lamp, C-49, C-50	1.90
29 1297922	Lens, parking lamp, 1949	1.30
29 1343218	Lens, parking lamp, C-48	.95
29 1297832	Lens, parking lamp, C-49, C-50	.65

Item Part No.	Description	Price
1297916	Housing, parking lamp, 1949	2.30
1343226	Housing, parking lamp, C-48, 1950	2.80
1340052	Housing, parking lamp, C-49, C-50, 1950	2.50
1340175	Gasket, parking lamp, C-49, C-50, 1950	.15
1343225	Gasket, parking lamp, C-48, 1950	.30
1297923	Gasket, parking lamp lens, 1949	.65
1343224	Gasket, parking lamp lens, C-48	.40
1340046	Gasket, parking lamp lens, C-49, C-50	.40
1302433	Headlamp, assembly, 1949	11.50
1340259	Headlamp, assembly, 1950	11.50
30 1239411	Door	2.05
946942	Ring	1.65
31 1297667	Unit, sealed beam (bull's eye lens)	1.50
31 853369	Unit, sealed beam (plain lens)	1.40
946940	Seat, bulb mounting	1.65
1154200	Shell	2.95
997686	Gasket, 1949	.15
1310488	Gasket, 1950	.20
32 1301492	Plate, fender side name (Royal)	1.25
1301493	Plate, fender side name (Windsor)	1.30
1301494	Plate, fender, C-45, C-48 (Highlander)	1.60
1301495	Plate, fender, C-45, C-48 (Saratoga)	1.30
1301496	Plate, fender, C-45, C-48 (New Yorker)	1.30
1301772	Plate (C-46 K, C-49N) (Highlander)	1.60

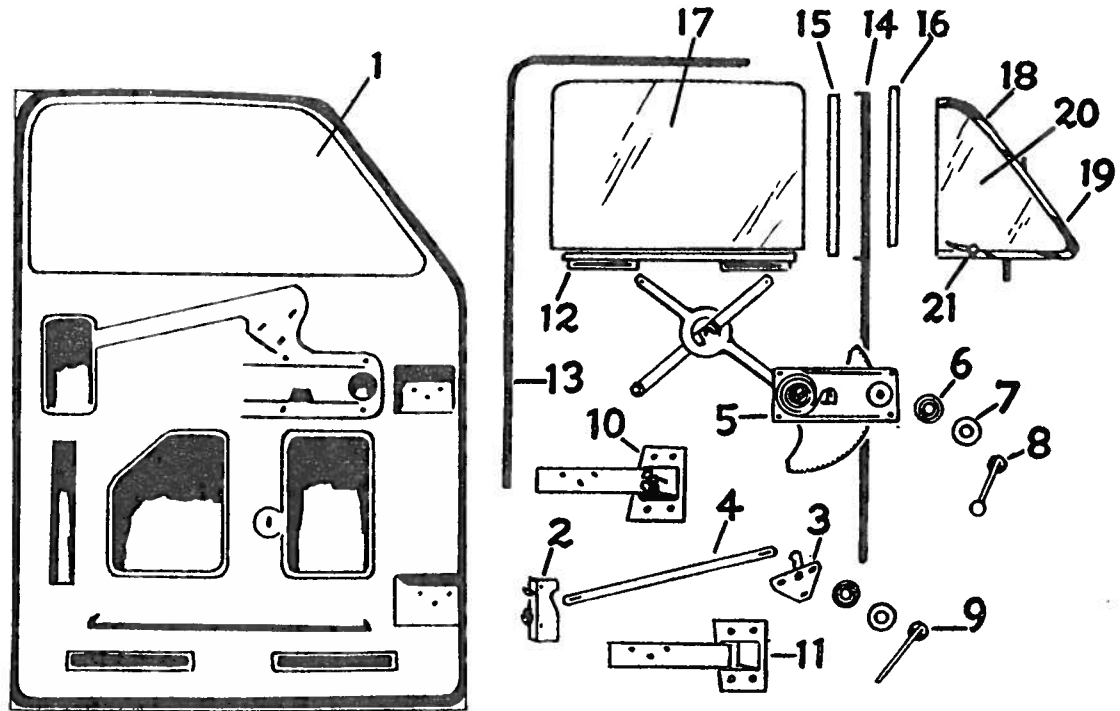
BODY PARTS 1949-50 CHRYSLER

Models C45, C46, C48, C49. ALL BODY STYLES

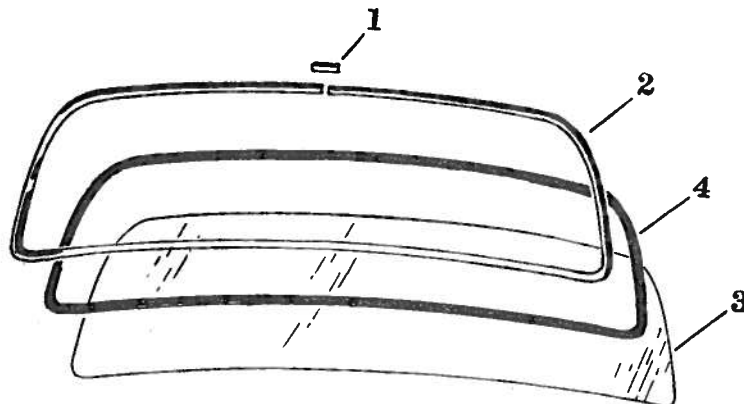
FRONT DOOR

DOOR SEDANS, 7 SED. AND LIMO. AND STA. WAG.

Part No.	Description	Price
300177	Door assy., less trim hardware, 1949.....	50.95
334824	Door shell, 4-d., 1950.....	50.95
342581	Door shell, 7 sed. and limo. C-48, 1950.....	60.40
338247	Door shell, 7 sed. and limo. C-50, 1950.....	70.90
337561	Door shell (vermillion panels), sta. wag., 1950.....	280.90
337563	Door shell (hon-duras panels) sta. wag., 1950.....	280.90
242694	Lock assy., all (exc. sta. wag., est. wag.)	3.50
255058	Lock assy., sta. wag.....	3.40
296699	Remote control, 4-d.....	1.15
304567	Remote control, 7 sed. and limo.....	1.15
257172	Remote control sta. wag., est. wag.....	1.35
244137	Link, 4-d.....	.45
257170	Link, sta. wag.....	.45
304696	Link, 7 sed. and limo.....	.60
42640	Regltr. assy., 4-d.....	5.10
105291	Rgltr. assy., 7 sed. and limo.....	5.10
257177	Regltr. sta. wag. (only).....	5.60
3796	Spring, 4-d.....	.06
56316	Spring, sta. wag.....	.04
5886	Spring, 7 sed. and limo.....	.30
256314	Escutcheon, sta. wag. regltr. handle.....	.45
156240	Escutcheon (plastic) regltr. handle.....	.80
253773	Escutcheon, regltr. handle.....	.45
253546	Regulator handle.....	2.25
256158	Regltr. handle.....	4.05
11268	Remote control handle.....	1.35
136122	Remote control handle, 7 sed. and limo C-48.....	1.75
42071	Rem. ctrl. handle, limo., C-50.....	1.75
07507	Hinge, upper, 4-d., 1949.....	4.45
99948	Hinge, upper, sta. wag., 1949.....	4.90
33272	Hinge, upper, C-48, C-49, C-50, 1950.....	4.45
33356	Hinge, upper, sta. wag., 1950.....	4.90
07510	Hinge, lower, 4-d.....	3.75
99952	Hinge, lower, sta. wag.....	4.05
07510	Hinge, lower, all (exc. sta. wag.).....	3.75
43813	Channel, glass, low.....	1.05



Item Part No.	Description	Price	Item Part No.	Description	Price	Item Part No.	Description	Price
12 1246835	Chnl., glass, low., sta. wag.	3.95	16 1296601	Mldg., div. channel, outer	.60	19 1304635	W/strip, 7 sed. and limo., 1949	2.65
12 1254848	Chnl., glass, low., sta. wag.	1.05	16 1296601	Mldg., div. channel, outer, 7 sed. limo., 1949	.60	19 1338907	W/strip, 7 sed. and limo., 1950	2.65
12 1303817	Chnl., glass, low., 7 sed. and limo.	1.25	17 1241365	Glass, door, assy., 4-d.	P.O.A.	20 1243559	Glass, door, vent., 4-d., 1949	P.O.A.
13 1244048	Run. door glass, sta. wag.	2.00	17 1303821	Glass, door, assy., 7 sed. and limo.	P.O.A.	20 1309139	Glass, door, vent., 4-d., 1950	P.O.A.
13 1338233	Run. door glass, 7 sed. and limo.	2.00	17 1299496	Glass, door, assy., sta. wag.	P.O.A.	20 1309108	Glass, door, vent., sta. wag., 1950	P.O.A.
13 1299959	Run. door glass, up, sta. wag.	1.05	18 1243563	Frame, door, vent. assy., 4-d., 1949	4.20	20 1300143	Glass, door, vent., sta. wag., 1949	P.O.A.
13 1243576	Run. door glass, 4-d.	1.85	18 1301032	Frame, vent., sta. wag., 1949	5.50	20 1304610	Glass, door, vent., 7 sed. and limo., 1950	P.O.A.
13 1338123	Run. door glass (straight length), C-50	1.60	18 1309103	Frame, vent., sta. wag., 1950	5.50	21 893669	Handle, door, vent., 4-d., 1949	.75
14 1243578	Run. div. channel, sta. wag.	1.15	18 1309135	Frame, vent., 4-d., 1950	4.20	21 1303852	Handle, dr., vent., 4-d. 7 sed., limo., sta. wag., 1950	.80
14 1304620	Run. div. channel, 7 sed. and limo.	1.20	18 1304607	Frame, vent., 7 sed. and limo., 1949	9.20	1243547	Retainer, with div. channel, 4-d.	3.95
15 1296602	Mldg., div. channel, inner	.65	18 1338899	Frame, vent., 7 sed. and limo., 1950	9.20	1338903	Retainer, 7 sed. & limo.	4.45
15 1296602	Mldg., div. channel, inner, 7 sed., 1949	.65	19 1243523	W/strip, 4-d.	2.60	1301036	Retainer, sta. wag.	3.95
			19 1301046	W/strip, sta. wag.	2.75			



BACK WINDOW

4-DOOR SEDAN, CLUB COUPE

Item Part No.	Description	Price
1 1256334	Clip, upper joint.....	.35
2 1256333	Mldg., outside.....	3.40
2 1305178	Mldg., outside, 7 sed. and limo., upper.....	6.85
2 1305179	Mldg., outside, 7 sed. and limo., lower.....	3.30
3 1240326	Glass, 4-door sed.	P.O.A.
3 1240447	Glass, club cpe.	P.O.A.
3 1301219	Glass, tw. ctry. club cpe.	P.O.A.
3 1255122	Glass, tail gate, upper, sta. wag.	P.O.A.
4 1244039	W/strip, 4-door club cpe.	3.85
4 1301354	W/strip, tw. ctry. club cpe.	3.65

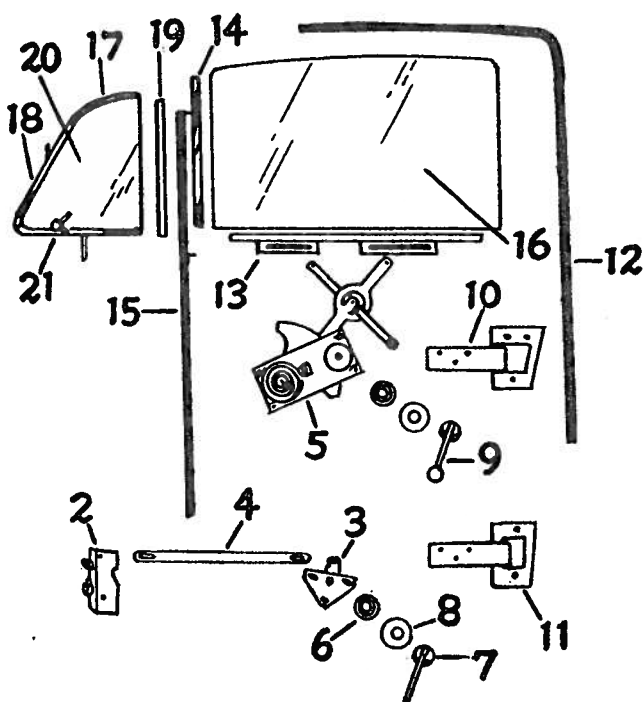
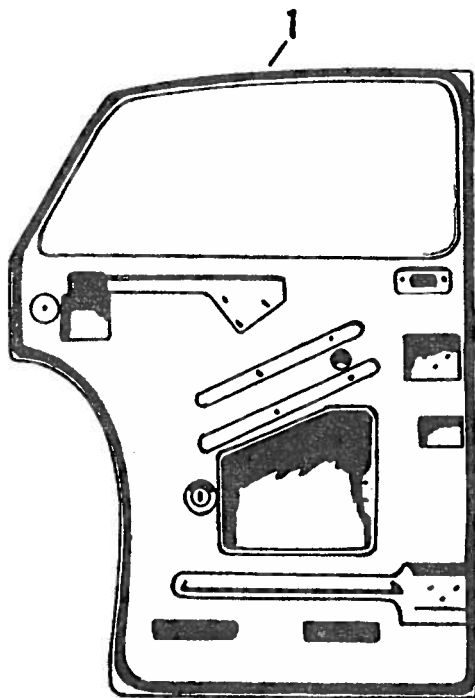
CHRYSLER 1949-50 BODY PARTS

Models C45, C46, C48, C49. ALL BODY STYLES

REAR DOOR

4-DOOR SEDAN, 7 SEDAN
MOUSINE & STATION WAGON

Part No.	Description	Price
1300179	Door assy., less trim, hardware, 4-d.	50.95
1338203	Door assy., less trim, C-48, 7 sed., '50.	60.40
1338201	Door assy., less trim, C-48 limo., '50.	60.40
1338251	Door assy., less trim, C-50 7 sed., '50.	70.90
1338253	Door assy., less trim, C-50 limo., '50.	70.90
1337565	Door (vermillion pnls.), sta. wagon, '50.	211.85
1337567	Door (Honduras pnls.), sta. wagon, '50.	211.85
1243301	Lock assy., 4-d.	3.50
1305269	Lock assy., 7 sed.	4.45
1305267	Lock assy., 7 sed. limo.	4.45
1242694	Lock assy., limo., C-48.	3.50
1338051	Lock assy., 7 sed., C-50.	10.90
1338049	Lock assy., limo., C-50.	10.00
1255065	Lock assy., rear dr., sta. wagon.	3.80
1244248	Remote cont., 4-d.	1.10
1256255	Remote cont., sta. wagon.	1.35
1304911	Remote control, 7 sed. limo.	1.25
1336299	Remote control, limo., C-48, C-50.	1.25
1244136	Link, remote cont.40
1243305	Locking control with link, 4-d.	1.20
1304914	Link, 7 sed. limo.40
1304955	Link, 7 sed. limo., C-48, C-50, '50.40
1336318	Link, limo., C-48, C-50, '50.40
1243479	Regltr. assy., 4-d.	6.15
1304781	Regltr. assy., 7 sed. & limo.	6.55
89796	Spring, 4-d.06
1256316	Spring, sta. wag.04
901268	Hndl., remote cont.	1.35
1300159	Escutcheon, remote control.	1.05
1256314	Escutcheon, remote control, sta. wagon.45
1296576	Escutcheon, remote control, 4-d.55
1336418	Escutcheon, remote control, 7 sed. limo.	1.50
1156240	Escutcheon, remote control, C-48W, C-49N.80
1253546	Handle, regltr.	2.25
1256158	Handle, regltr.	4.05
1307513	Hinge, upper, 4-d.	2.90
1256057	Hinge, upper half (body half)	1.60
1256055	Hinge, upper half (door half)	1.15
1307837	Hinge, upper half assy., sta. wagon.	11.80
1305285	Hinge, upper half assy., 7 sed. & limo.	3.15



Item	Part No.	Description	Price
11	1307510	Hinge, low. assy.	3.75
11	1307516	Hinge, low. assy.	2.90
11	1256063	Hinge, lower half, sta. wagon.	1.60
11	1256061	Hinge, lower half, sta. wagon.	1.15
11	1299952	Hinge, lower half, sta. wagon.	4.05
11	1307839	Hinge, lower assy., sta. wagon.	11.80
11	1304581	Hinge, lower assy., 7 sed. limo.	2.90
12	1243954	Channel, glass run, front, 4-d., '49.	1.20
12	1243408	Run, rear dr. glass, 4-d.	1.85
12	1338142	Run, rear dr. glass, 7 sed. & limo.	2.65
12	1299957	Run, rear door sliding glass, sta. wagon.	1.30
12	1299958	Run, rear door sliding glass, rr., sta. wag.80
12	1308572	Channel, dr. glass run, front, '50.	1.30

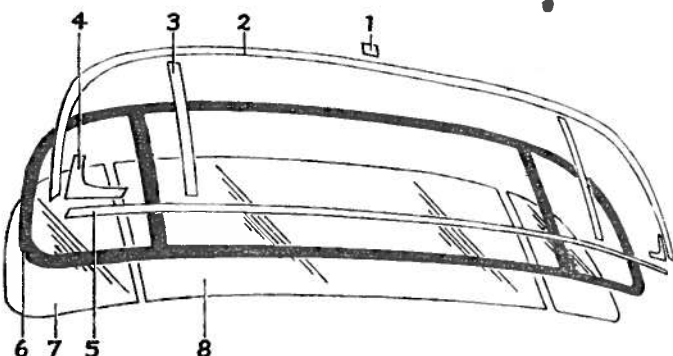
Item	Part No.	Description	Price
12	1245533	Channel, door glass run, 7 sed. limo.65
13	1243822	Channel, dr. glass, lower, '49.	1.05
13	1307886	Channel, low., 4-d., '50.	1.05
13	1304261	Channel, low., 7 sed. limo.	1.60
13	1337013	Channel, low., 7 sed. limo., C-50, '50.	7.15
14	1296602	Midg., div. chan., top & bot., sta. wagon.	1.30
15	1299958	Run, door glass, rear, sta. wagon.80
15	1305496	Run, door glass, 7 sed.	2.25
15	1338142	Run, door glass, 7 sed. & limo.	2.65
15	1243401	Run, door glass division channel, 4-d.	1.20
15	1332148	Run, door glass div. channel (est. wag.) ...	1.20
16	1240255	Glass, 4-d., '49.	P.O.A.

Item	Part No.	Description	Price
16	1300253	Glass, sta. wag.	P.O.A.
16	1308968	Glass, 4-d., '50.	P.O.A.
16	1304266	Glass, 7 sed. & limo., '50.	P.O.A.
16	1300252	Glass, rear door, front, sta. wagon.	P.O.A.
16	1300253	Glass, rear door, rear, sta. wagon.	P.O.A.
17	1243398	Frame, door vent. assy., 4-d., '49.	4.05
17	1309145	Frame, door vent. assy., 4-d., '50.	4.05
18	1243379	W/strip, door vent. assy.	1.85
19	1243381	Retainer with div. channel.	3.95
19	1332126	Retainer with div. channel (est. wagon) ...	3.95
20	1243394	Glass, door vent. assy., 4-d.	P.O.A.
21	893669	Handle, door vent. assy., 4-d., '49.	P.O.A.
21	1303852	Handle, door vent. assy., 4-d., '50.	P.O.A.

BACK WINDOW

4-DOOR SEDAN CLUB CPE.

Item	Part No.	Description	Price
1	1334163	Cover, win. midg., 4-d. c. cpe. conv. cpe.30
2	1334899	Midg., up. 4-door club cpe.	2.05
3	1333865	Midg., div. bar.	1.95
4	1364025	Midg., low. corner.	1.40
5	1334858	Midg., low. 4-door club cpe.	2.65
6	1333681	W/strip, 4-door.	10.00
6	1333682	W/strip, club cpe.	10.00
7	1333428	Glass, left side, 4-door.	P.O.A.
7	1333752	Glass, left side, club cpe.	P.O.A.
8	1333426	Glass, center, 4-d. and club cpe.	P.O.A.
8	1304486	Glass, 7 sed. and limo.	P.O.A.

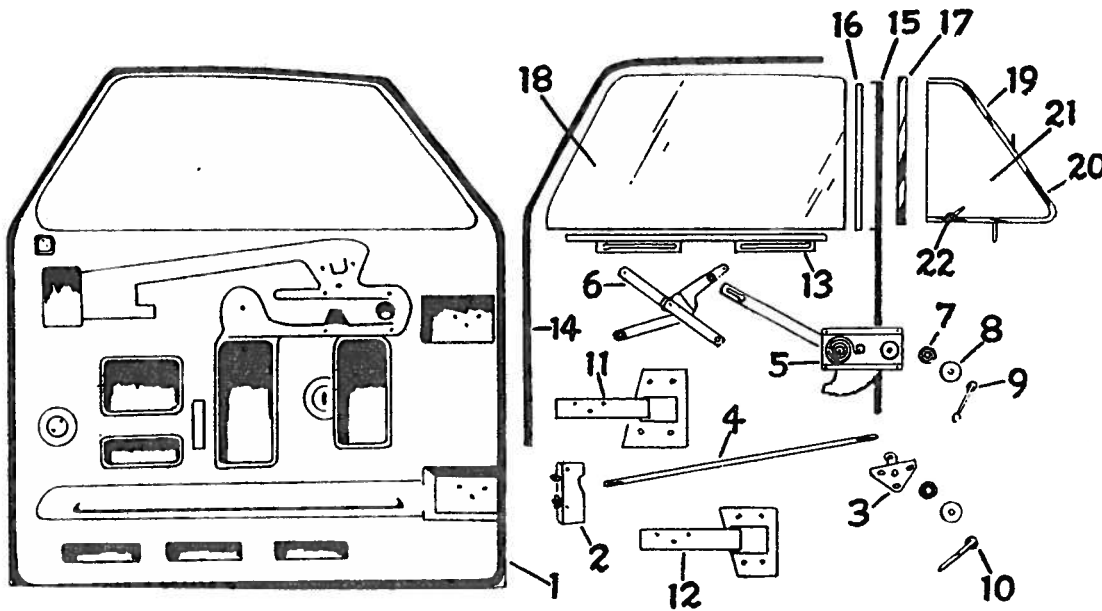
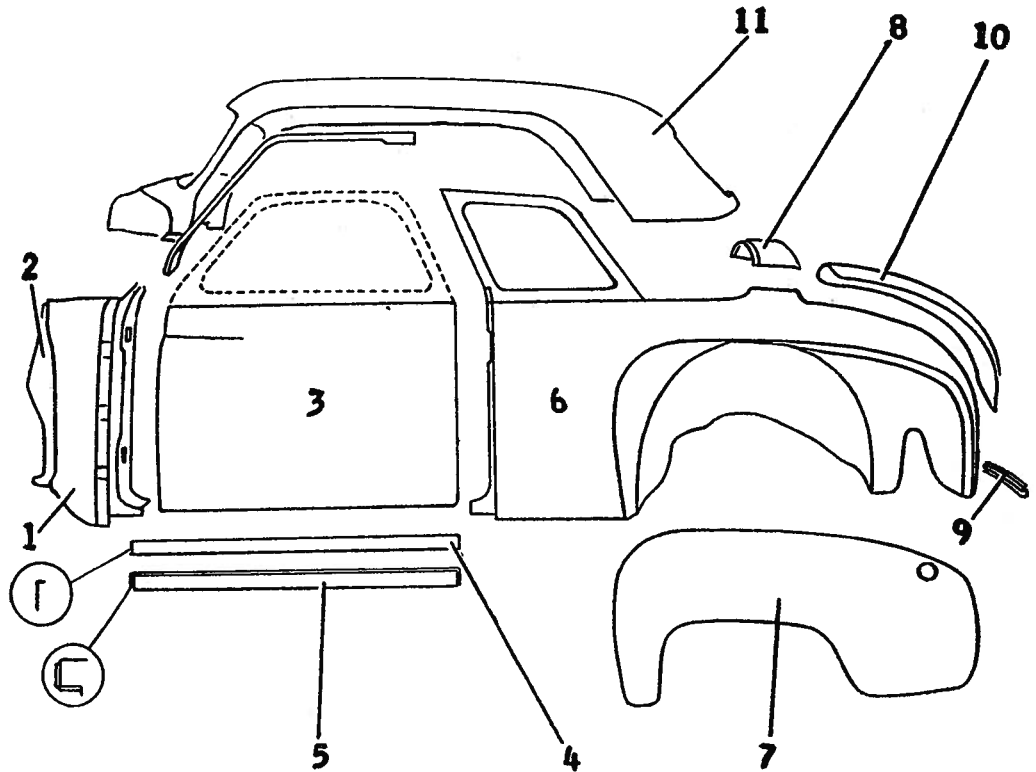


BODY PARTS 1949-50 CHRYSLER

Models C45, C46, C48, C49. ALL BODY STYLES

BODY SHEET METAL AND FUEL TANK CLUB COUPE

Part No.	Description	Price
1240723	Cowl, side assy.	19.45
1244135	Dash panel	10.25
1333039	Panel, door repair, 1949	13.40
1334830	Panel, door repair, 1950	13.40
240644	Panel, body sill, inner	5.00
240646	Panel, body sill, outer	2 6.55
340814	Panel, rear quarter, 1949	76.15
340814	Panel, rear quarter, 1950	76.15
296095	Fender, rear, 1949	17.75
333901	Fender, rear, 1950	17.75
239066	Panel, rear deck, upper, 1949	7.35
242740	Panel, rear deck, upper, 1950	7.35
241331	Panel, rear deck, lower	3.70
255485	Lid, rear deck assy., 1949	38.35
331857	Lid, rear deck assy., 1950	38.35
308748	Panel, roof repair, 1949	117.50
242722	Panel, roof assy., 1950	123.40
138587	Fuel tank assy.	13.45
126688	Strap, tank support	.65



DOOR ASSEMBLY CLUB COUPE

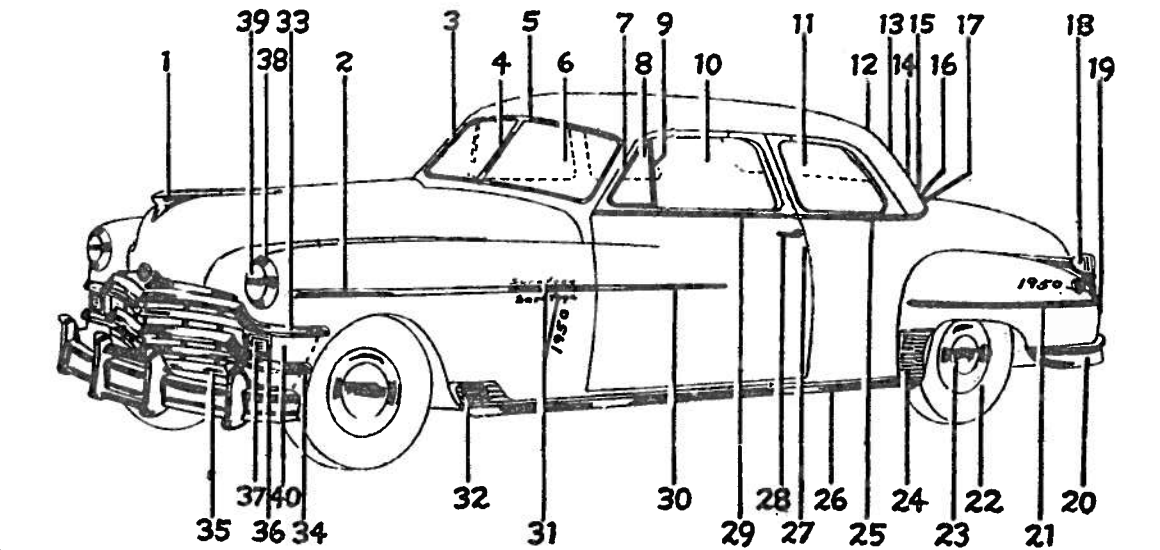
Part No.	Description	Price	Item Part No.	Description	Price	Item Part No.	Description	Price
10181	Door, less trim and hardware, 1949	54.10	8 1156240	Escutcheon, rgltr. handle, 1949	.80	13 1243947	Channel, door, glass, lower	2.05
14828	Door, less trim and hardware, 1950	54.10	8 1152437	Escutcheon, rgltr. handle, 1950	.30	14 1243339	Run, door, glass, rear, 1949	1.45
19607	Door, includes trim, and hardware, 1949	147.50	8 1253773	Escutcheon, rgltr. handle	.55	14 1244048	Run, door, glass, rear, 1950	2.00
12694	Lock, assy.	3.50	9 1256158	Handle, regulator	4.05	15 1243578	Run, door, glass, division channel	1.20
16699	Remote control	1.15	9 1253546	Handle, regulator	2.25	16 1296602	Mldg. division channel, inner	.65
4139	Link	.70	10 901268	Handle, remote control	1.35	17 1296601	Mldg. division channel, outer	.60
18548	Regulator assy.	5.10	11 1307507	Hinge, upper, 1949	4.45	18 1240683	Glass, door assy.	P.O.A.
12993	Arm and pivot, 1949	1.85	11 1333272	Hinge, upper, 1950	4.45			
96	Spring	.06	12 1307510	Hinge, lower, 1949	3.75			
			12 1307510	Hinge, lower, 1950	3.75			
						19 1243563	Frame, door vent, assy., 1949	4.20
						19 1309135	Frame, door vent, assy., 1950	4.20
						20 1243523	W/strip, door vent assy., 1950	1.75
						21 1243559	Glass, door vent, 1949	P.O.A.
						21 1309139	Glass, door vent, assy., 1950	P.O.A.
						22 893669	Handle, door vent, assy., 1949	.75
						22 1303852	Handle, door vent, assy., 1950	.80

CHRYSLER 1949-50 BODY PARTS

Models C45, C46, C48, C49. ALL BODY STYLES

BODY MOULDINGS WHEELS & GLASS CLUB COUPE

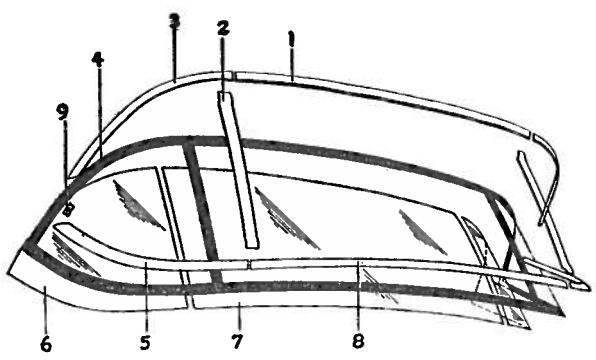
Item Part No.	Description	Price
1299366	Ornament, hood top 1949	9.90
1335540	Ornament, hood top 1950	9.45
1298367	Mldg., front fender C-45	4.10
1298373	Mldg., front fender C-46	4.10
1335656	Mldg., front fender side C-48	9.70
1335567	Mldg., front fender side C-49	11.05
1256330	Mldg., windshield outside	3.70
1243904	Bar, windshield division	1.85
1256331	Clip, upper	.35
1256332	Clip, lower	.35
1243579	Glass, windshield P.O.A.	
1309135	Frame, door vent wing 1950	4.20
1243563	Frame, door vent wing 1949	4.20
1309139	Glass, door vent wing 1950	P.O.A.
1243559	Glass, door vent wing 1949	P.O.A.
1296601	Division channel, outer	.55
1240683	Glass, door	P.O.A.
1240553	Glass, quarter window	P.O.A.
1256334	Clip, rear window joint C-45-C-46	.35
1334163	Clip, rear window joint C-48-C-49	.35
1256333	Mldg., outside C-45-C-46 1949	3.40
1334899	Mldg., outside upper left C-48-C-49	2.05
1333865	Mldg., rear window division bar C-48-C-49	1.95
1240447	Glass, rear window C-45-C-46 1949	P.O.A.
1333752	Glass, rear window left C-48-C-49 1950	P.O.A.
1333426	Glass, rear window center C-48-49 1950	P.O.A.
1334858	Mldg., rear window lower C-48-C-49 1950	2.65
1364025	Mldg., rear window low. cor. C-48-C-49, 1950	1.40
1300629	Tail lamp base 1949	10.30
1340245	Bezel, tail lamp 1950	2.50
1316161	Plate, bumper buffer C-45-C-46	6.40
1319623	Plate, bumper buffer C-48-C-49	5.00
1313108	Bar, rear bumper C-46 1949	47.25
1139286	Bar, rear bumper C-45 1949	47.25
1319600	Bar, rear bumper C-48-C-49 1950	20.20
1308519	Mldg., rear fender 1949	10.65



Item Part No.	Description	Price
21 1333998	Mldg., rear fender 1950	5.05
22 1142887	Wheel, assy. (15x5.50)	11.05
22 1136619	Wheel, assy. (15x6.00)	12.50
23 1142850	Cover, wheel assy. (stainless steel)	7.70
23 1140690	Cover, wheel assy. (stainless steel) C-48-C-49	9.70
24 1333978	Shield, rear fender stone, 1950	5.70
24 1301519	Shield, rear fender stone C-45, 1949	7.10
24 1307940	Shield, rear fender stone C-46, 1949	8.10
25 1256175	Mldg., rear quarter belt	4.35
26 1308833	Mldg., body sill C-46, 1949	12.60
26 1334917	Mldg., body sill C-48 1950	12.10
26 1334919	Mldg., body sill C-49 1950	12.60
26 1308831	Mldg., body sill C-45 1949	11.05
27 1315510	Lock, cylinder	2.05
28 1252846	Handle, door assy.	2.95
29 1256173	Mldg., door belt	2.90
30 1297098	Mldg., front door fender extension C-46	3.00
30 1334042	Mldg., front door fender extension C-48 1950	2.00
30 1296008	Mldg., front door fender extension C-45S 1949	2.20
30 1252850	Mldg., front door fender extension C-45W 1949	2.35

Item Part No.	Description	Price
31 1301495	Plate, fender side name (Saratoga)	1.30
31 1301494	Plate, fender side name (Highlander)	1.60
31 1301492	Plate, fender side name (Royal) C-48	1.25
31 1301496	Plate, fender side name (New Yorker) C-49	1.30
31 1301772	Plate, fender side name (Highlander) C-49	1.60
32 1254993	Ornament, fender skirt	2.35
32 1335604	Ornament, fender skirt C-49 1950	3.50
33 1298373	Mldg., grille, extension on fender, upper C-46	4.10
33 1298367	Mldg., grille, extension on fender, upper C-45	4.10
33 1335552	Mldg., grille, extension on fender, upper C-48	3.30
33 1335524	Mldg., grille, extension, upper C-49-C-50	3.30
34 1298375	Mldg., grille, center on fender C-46	3.50
34 1298369	Mldg., grille, center on fender C-45	3.50
35 1298377	Mldg., grille, lower on fender C-46	2.05
35 1298371	Mldg., grille, lower on fender C-45	2.05
35 1335569	Mldg., grille, lower on fender C-48	2.35
35 1335571	Mldg., grille, lower on fender C-49-C-50	2.35
36 1297925	Bezel, parking lamp 1949	2.45

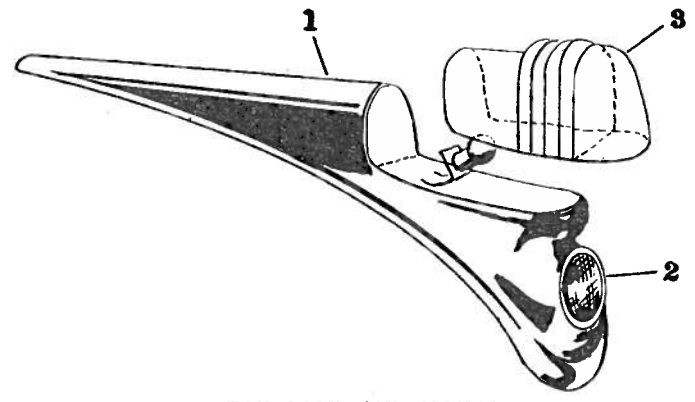
Item Part No.	Description	Price
36 1343228	Bezel, parking lamp C-48 1950	2.45
36 1340179	Bezel, parking lamp C-49-C-50 1950	1.90
37 1297922	Lens, parking lamp 1949	1.30
37 1343218	Lens, parking lamp C-48 1950	.95
37 1297823	Lens, parking lamp C-49-C-50 1950	.65
1297916	Housing, parking lamp 1949	2.30
1343226	Housing, parking lamp C-48 1950	2.80
1340052	Housing, parking lamp C-49-C-50 1950	2.50
1343224	Gasket, parking lamp C-48 1950	.40
1340046	Gasket, parking lamp C-49-C-50 1950	.40
1297923	Gasket, parking lamp 1949	.65
1302433	Headlamp, assembly 1949	11.50
1340259	Headlamp, assembly 1950	11.50
38 1239411	Door	2.05
946942	Ring	1.65
39 1297667	Unit, sealed beam (bull's eye lens)	1.50
39 853369	Unit, sealed beam (plain lens)	1.40
946940	Seat, bulb mounting	1.65
1154200	Shell	2.95
997686	Gasket, 1949	.15
1310488	Gasket, 1950	.20
40 1335500	Plate, front fender lower 1950	7.50



**BACK WINDOW
SPECIAL CLUB COUPE**

Item Part No.	Description	Price
1342024	Mldg., up. center spec. club cpe.	2.95
1342163	Mldg., left	2.35
1342211	Mldg., side, left	2.25
1342019	W/strip	12.10

Item Part No.	Description	Price
5 1342269	Mldg., lower end	2.25
6 1334363	Glass, side, left	P.O.A.
7 1342182	Glass, center	P.O.A.
8 1342194	Mldg., lower, cen.	2.95
9 1342272	Cover, low, corner	.65



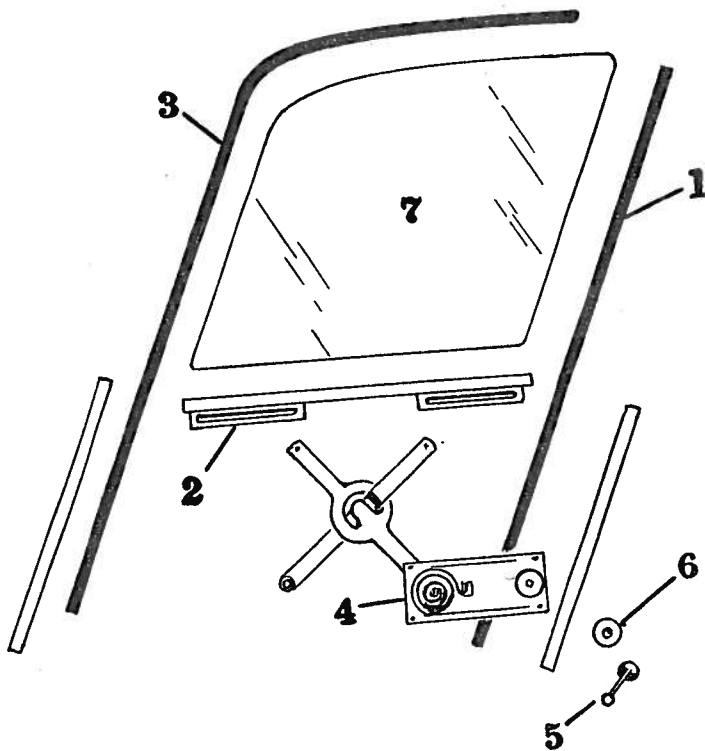
TAIL LAMP AND SIGNAL

Item Part No.	Description	Price
1 1300570	Tail lamp base, 4-d, c. cpe.	9.80
1 1300638	Lamp base, con. cpe.	9.80

Item Part No.	Description	Price
1 1302668	Lamp base, 7 sed. and limo.	9.80
1302556	Housing, sta. wag.	4.75
2 1300711	Reflector button	.75
3 1300869	Lens	2.55

BODY PARTS 1949-50 CHRYSLER

Models C45, C46, C48, C49. ALL BODY STYLES



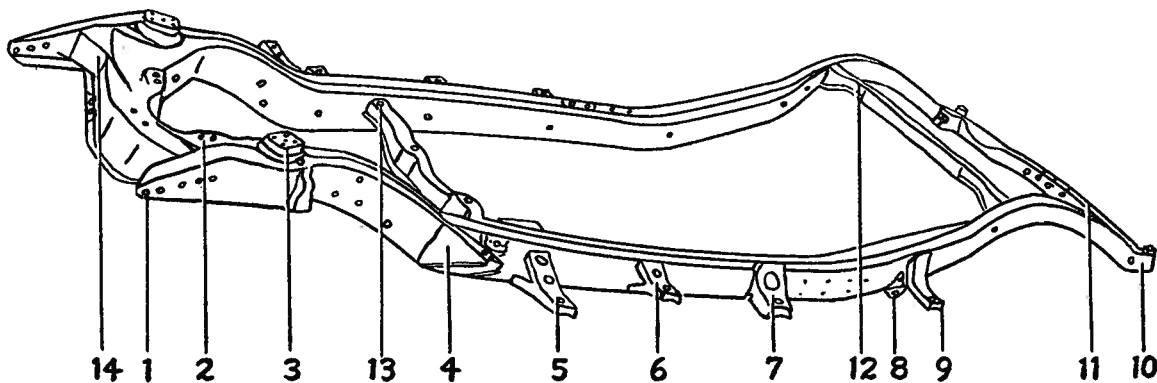
REAR QUARTER WINDOW CLUB COUPE

Item	Part No.	Description	Price
1	1244140	Glass run	3.50
2	1240555	Channel, low. assy.	1.30
3	1240549	Channel run, front	1.00
4	1242962	Reglitr. assy.	5.85
	1256337	Spring	.50
5	1253548	Reglitr. handle assy.	3.75
5	1256159	Reglitr. handle assy.	3.70
6	1253773	Escutcheon	.45
7	1240553	Glass	P.O.A.
7	1333426	Glass, 1950

TOWN AND COUNTRY CLUB CPE., CONV. CPE.

Not Illustrated

Part No.	Description	Price
1301512	Frame assy.	19.75
1307551	Window guide run	.30
1308742	Channel, low. assy.	1.75
1248073	W/strip, low. chan.	1.25
1248139	W/strip, up.	1.10
1248279	Guide assy.	1.35
1301485	Guide assy.	1.35
1248875	Regulator assy.	3.75
1256158	Regulator handle	3.85
1304447	Escutcheon	1.00
1246871	Glass	P.O.A.



FRAME ASSEMBLY

Part No.	Description	Price	Item Part No.	Description	Price	Item Part No.	Description	Price
23127	Frame, assy. town sedan C-48	P.O.A.	1	1323159—Frame (w/std. tran.) sta. wag. 1950 C-48	137.80	6	1137152—Brkt. No. 3 (4-d. c. cpe. sta. wag.)	1.25
37028	Frame (w/std. tran. less F.d.) C-45-C-48	110.25	1	1138456—Frame (conv. cpe. and spec. club cpe.) C-46-C-49	P.O.A.	6	1141739—Brkt. No. 3 (4-d. c. cpe.) C-46-C-49	1.95
23146	Frame (w/std. tran.) conv. cpe., spec. C. cpe.) C-48	173.25	1	1137030—Frame (4-d. sed. and club cpe.) C-46-C-49	165.00	6	1139443—Brkt. No. 3 (C-48 conv. cpe., C-49 tw. ctry.)	2.50
37029	Frame (w/under drive tran.) C-45-C-48	125.00	1	1141387—Frame (7 sed. and limo.) C-47-C-50	P.O.A.	6	1313324—Brkt. No. 3 (7 sed. and limo.) C-47-C-48	3.50
38438	Frame (w/std. tran. F.d.) 7 sed. limo., C-45-C-48	P.O.A.	1	1137031—Frame (7 sed. and limo.) C-47-C-50	P.O.A.	7	1311488—Brkt. No. 4 (4-d. c. cpe. sta. wag.) C-45-48	1.95
38437	Frame (w/under drive tran.) 7 sed. limo., C-45-48	165.00	2	1137927—Crossmember, front	26.00	7	1311491—Brkt. No. 4 (4-d. c. cpe.) C-46-C-49	2.35
39691	Frame (w/std. tran. less F.d.) conv. cpe., C-45	165.00	3	1312042—Support, upper control arm	2.75	7	1313327—Brkt. No. 4 (7 sed. limo.) C-46-C-48-C-50	2.25
39692	Frame (w/under drive) conv. spec. C. cpe.	165.00	4	1312307—Brkt. No. 1 (exc. tw. sed.)	3.00	8	1124576—Hanger, rear spring front	1.45
11503	Frame (w/under drive trans.) sta. wag. C-45	137.80	4	1316920—Brkt. No. 1 (tw. sed.) C-48	3.00	9	1141383—Brkt. No. 5 (conv. cpe. tw. and ctry.)	2.50
23160	Frame (w/under drive tr.), sta. wag., C-48	P.O.A.	5	1141379—Brkt. No. 2 (C-48 conv. cpe. C-49 tw. ctry.)	2.85	9	1311485—Brkt. No. 5 (4-d. c. cpe. sta. wag.)	1.10
			5	1138432—Brkt. No. 2 (7 sed. limo. 4-d. c. cpe.)	1.85		1313330—Brkt. No. 6 (7 sed. limo.)	3.50
			5	1137149—Brkt. No. 2 (4-d. sta. wag. c. cpe.) C-45-C-48	1.25		1137069—Brkt., upper control arm bumper	.35
						10	1137077—Hanger, rear spring, rear	1.30
						11	1141753—Crossmember, rear (tw. ctry. c. cpe. conv. cpe. sta. wag.)	4.25
						11	1140339—Crossmember, rear (4-d. c. cpe.)	4.25
						11	1140327—Crossmember, rear (7 sed. and limo.)	6.05
						12	1141736—Crossmember, intermediate	5.80
						12	1140328—Crossmember, inter. (7 sed. and limo.)	8.15
						13	1137057—Crossmember, engine support (w/o F.d.)	6.20
						13	1137060—Crossmember, engine support (with F.d.)	6.20
						13	1137105—Crossmember, engine (7 sed. 7 sub. limo.)	6.95
						14	1138470—Brace	.75

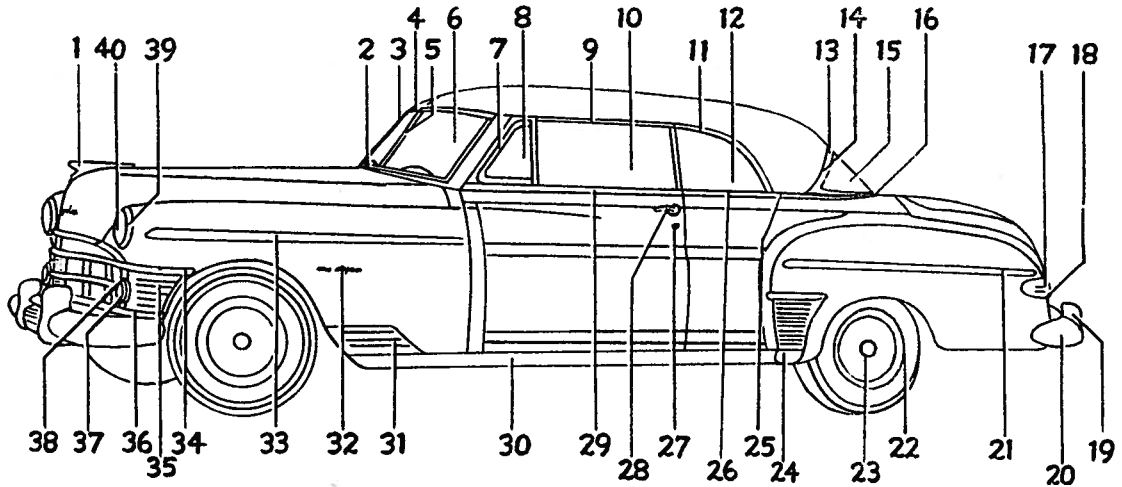
CHRYSLER 1949-50 BODY PARTS

Models C45, C46, C48, C49. ALL BODY STYLES

BODY MOULDINGS WHEELS & GLASS

TOWN & COUNTRY CLUB COUPE,
CONVERTIBLE COUPE

Item Part No.	Description	Price
1 1299366	Ornament, hood top, 1949	9.90
1 1335540	Ornament, hood top, 1950	9.45
2 1248847	Mldg., windshield, lower (chrome)	2.55
3 1303247	Mldg., windshield, upper (chrome)	6.85
4 1248850	Clip, upper side, 1949	.35
4 1303488	Clip, upper side, 1950	.35
4 1248851	Clip, lower side, 1949	.35
4 1303490	Clip, lower side, 1950	.30
5 1249340	Bar, division, C-46-C-49	2.45
5 1247620	Bar, division, C-48, 1950	1.80
6 1246583	Glass, windshield	P.O.A.
7 1303875	Frame, door vent wing, 1950	8.95
7 1299908	Frame, door vent wing, 1949	27.05
8 1342480	Glass, door vent wing, 1950	P.O.A.
8 1246981	Glass, door vent wing, 1949	P.O.A.
9 1246833	Frame, door glass	19.55
10 1246836	Glass, door assy.	P.O.A.
1 1248779	Frame, quarter window, 1950	20.75
1 1248779	Frame, quarter window, 1949	20.75
2 1246871	Glass, quarter window	P.O.A.
3 1334018	Mldg., upper (twn. and ctry), C-49	8.65
1 1342024	Mldg., upper center (spec. club cpe.)	2.95
1 1342211	Mldg., side, left (spec. club cpe.)	2.25
1 1334363	Glass, rear window	P.O.A.
1 1342182	Glass, rear window, center (spec. club c. cpe.)	P.O.A.
1 1333069	Glass, rear window, center (twn. and ctry.)	P.O.A.
1 1334021	Mldg., lower corner (twn. and ctry.)	1.95
1 1334019	Mldg., lower (twn. and ctry.), C-49	8.95
1 1342194	Mldg., lower center (spec. club cpe.)	2.95
1 1342269	Mldg., lower end (spec. club cpe.)	2.25
1 1302968	Bezel, tail lamp (twn. and ctry., cl. cpe., conv. cpe.), 1949	1.95
1 1310747	Bezel, tail lamp (twn. & ctry.), C-49, 1950	1.95
1 1302966	Lens, tail lamp (twn. & ctry.), C-46, 1949	1.50
1 1339749	Lens, tail lamp (twn. & ctry.), C-49, 1950	1.50
1 1302956	Housing, tail lamp (twn. & ctry.), C-46, 1949	6.10



Item Part No.	Description	Price	Item Part No.	Description	Price	Item Part No.	Description	Price
1310755	Housing, tail lamp (twn. & ctry.), C-49, 1950	6.10	26 1334088	Mldg., quarter panel front, C-49, 1950	8.95	35 1335500	Plate, front fender center, C-49, C-50	7.50
1308068	Retainer, tail lamp (twn. & ctry.), C-46, 1949	.25	26 1348724	Mldg., quarter panel upper (spec. cl. cpe.), C-48	1.00	36 1298377	Mldg., grille exten. lower, C-46, C-47	2.05
1310681	Retainer, tail lamp (twn. & ctry.), C-49, 1950	.25	26 1334090	Mldg., quarter panel center, C-49	3.00	36 1335571	Mldg., grille exten. lower, C-49, C-50	2.35
1302971	Gasket, tail lamp lens, C-46-C-49	.15	27 1315510	Lock cylinder	2.05	37 1297925	Bezel, parking lamp, 1949	2.45
1300840	Button, tail lamp reflector, C-46, C-49	.70	28 1296494	Handle, door assy.	3.65	37 1340179	Bezel, parking lamp, C-49, C-50	1.90
19 1316161	Plate, rear bumper buffer, 1949	6.40	29 1303409	Mldg., door upper belt, C-49	15.70	38 1297922	Lens, parking lamp, 1949	1.30
19 1319625	Plate, rear bumper buffer, 1950	5.00	29 1256173	Mldg., door belt (club cpe., conv. cpe.)	.55	38 1297832	Lens, parking lamp, 1950	.65
20 1314636	Bar, rear bumper face, C-46, 1949	26.80	30 1301936	Mldg., body sill, C-46	11.80	1297923	Gasket, parking lamp lens, 1949	.65
20 1320737	Bar, rear bumper face, C-49, 1950	22.60	30 1334919	Mldg., body sill, C-49	12.60	1340046	Gasket, parking lamp lens, C-49, C-50, 1950	.40
21 1308519	Mldg., rear fender, C-46, C-49	6.75	31 1254993	Ornament, fender skirt	2.35	1297916	Housing, parking lamp, 1949	2.30
22 1136619	Wheel, assy. (15x6.00)	12.50	32 1335005	Plate, fender side name (twn. & ctry., Newport)	1.75	1340052	Housing, parking lamp, C-49, C-50	2.50
22 1142895	Wheel, assy. (15x6.50)	12.90	32 1301497	Plate, fender side name (twn. & ctry., conv. cpe.)	1.75	1340175	Gasket, parking lamp mounting, C-49, C-50	1.15
23 1140690	Cover (stainless steel), 1950	9.70	32 1335004	Plate, fender side name (New Yorker, Newport)	1.75	1297924	Gasket, parking lamp mounting, 1949	.75
23 1142850	Cover (stainless steel), 1949	7.70	32 1335003	Plate, fender side name (Windsor, Newport)	1.50	1302433	Headlamp, assembly, 1949	11.50
23 1142879	Cover, wheel assy. (painted ring)	6.05	33 1303087	Mldg., fender side	11.60	1340259	Headlamp, assembly, 1950	11.50
24 1307940	Shield, rear fender stone, C-46, C-49	8.10	34 1298373	Mldg., grille, upper on fender, 1949	4.10	1299411	Door	2.05
25 1303285	Mldg., quarter panel rear, 1949	4.75	34 1335552	Mldg., grille, upper exten. on fender, C-48	3.30	946942	Ring	1.65
25 1333783	Mldg., quarter panel rear, 1950	5.50	34 1335524	Mldg., grille, upper exten. on fender, C-49, C-50	3.30	40 1297667	Unit, sealed beam (bull's eye lens)	1.50
25 1303298	Mldg., quarter panel rear (twn. & ctry., conv. cpe.)	3.95	35 1298375	Mldg., grille, upper exten. center, C-46, C-47	4.10	40 853369	Unit, sealed beam (plain lens)	1.40
26 1342393	Mldg., quarter panel front (spec. cl. cpe.)	10.00				946940	Seat, bulb mounting	1.65
26 1303317	Mldg., quarter panel front, C-45, 1949	5.60				1154200	Shell	2.95

BODY SHEET METAL

Not Illustrated

TOWN AND COUNTRY CLUB
CPE., CONV. CPE.

Part No.	Description	Price
1247865	Panel, cowl upper assy.	45.00
1342810	Panel, cowl upper (spec. cl. cpe.) 1950	47.25
1307683	Panel, cowl upper (twn. and ctry.) C-46, C-49	57.75
1247869	Panel, cowl side assy.	19.75
1244135	Panel, dash assy.	9.75
1257134	Panel, door upper (Honduras), C-46	9.75
1333926	Panel, door upper, C-49, 1950	15.25
1257136	Panel, door upper (Vermilion) C-46	17.75
1257140	Panel, door lower (Honduras) C-46	20.50
1333799	Panel, door lower, C-49, 1950	17.35

Part No.	Description	Price
1257142	Panel, door lower (Vermilion) C-46	20.50
1304288	Panel, body sill inner	8.15
1301928	Panel, body sill outer	7.10
1249699	Panel, quarter side assy. (conv. cpe.)	78.25
1342521	Panel, quarter side assy. (spec. cl. cpe.) 1950	78.25
1255547	Quarter, rear less panels (twn.-ctry.) 1950	217.90
1300446	Panel, quarter outside upper (Honduras)	9.45
1333801	Panel, quarter outside upper (twn. and ctry.) 1950	7.35
1333803	Panel, quarter outside lower (twn. and ctry.) 1950	7.60

Part No.	Description	Price
1300440	Panel, quarter outside lower (Honduras) C-46	9.70
1300442	Panel, quarter outside lower (Vermilion) C-46	9.70
1301911	Panel, wheel house (twn. ctry. c. cpe.)	39.90
1333394	Fender, rear, 1949	36.75
1334174	Fender, rear (twn. and ctry.) 1950	36.75
1333901	Fender, rear (spec. club cpe.) 1950	17.75
1333152	Panel, rear deck lower, 1949	7.60
1241331	Panel, rear deck lower, 1950	3.70
1300466	Panel, luggage compt. upper (Vermilion) 1949	33.10

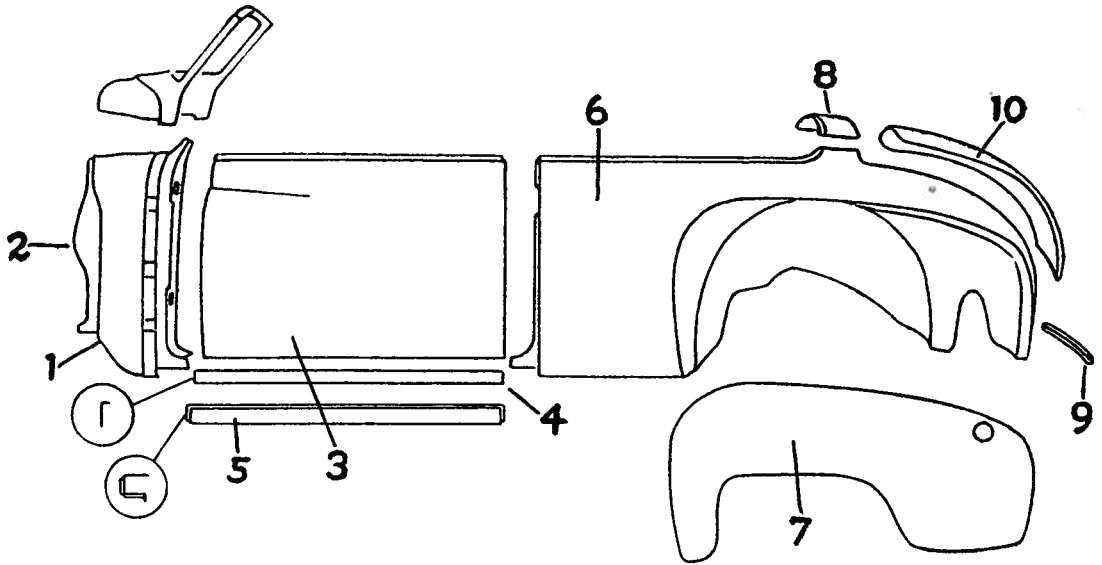
Part No.	Description	Price
1342423	Panel, luggage compt. upper (spec. club cpe.) 1950	33.10
1301167	Panel, deck lid outside lower, C-46	33.10
1334358	Panel, deck lid outside lower, C-49	23.90
1333253	Panel, outer center (Honduras mah.) 1949	15.75
1333254	Panel, outer center (Vermilion mah.) 1949	15.75
1333368	Deck strip, lower (Honduras mah.) 1949	8.40
1242722	Panel, roof assy. (club cpe.)	117.50
1341832	Panel, roof assy. (spec. club cpe.) 1950	117.50
1333617	Panel, roof assy. (twn. & ctry.), 1950	115.00

BODY PARTS 1949-50 CHRYSLER

Models C45, C46, C48, C49. ALL BODY STYLES

BODY SHEET METAL AND FUEL TANK CONVERTIBLE COUPE

Item Part No.	Description	Price
1248831	Panel, cowl, inside	6.85
1247869	Panel, cowl, side (conv. cpe. and spec. c. cpe.)	9.50
1247865	Panel, cowl, upper	45.00
1342810	Panel, cowl, upper (spec. club cpe.), 1950	47.25
1244135	Panel, dash assy.	10.25
1342573	Shell door (conv. cpe. and spec. c. cpe.), 1950	60.40
1249763	Shell door (conv. cpe.), 1949	60.40
1246877	Panel, door repair, 1949	13.40
1334830	Panel, door repair, 1950	13.40
1304288	Panel, body sill, inner	8.15
1249387	Panel, body sill, outer	6.55
1301928	Panel, body sill, outer (tw. ctry., c. cpe.)	7.10
1249699	Panel, rear quarter assy., 1949	78.25
1341233	Panel, rear quarter assy., 1950	78.25
1342521	Panel, rear quarter assy. (spec. club cpe.), 1950	78.25
1308675	Fender, rear assy., C-46, 1949	17.75
1333901	Fender, rear assy. (conv. cpe. spec. c. cpe.), 1950	17.75
1248422	Panel, rear deck, upper	10.25



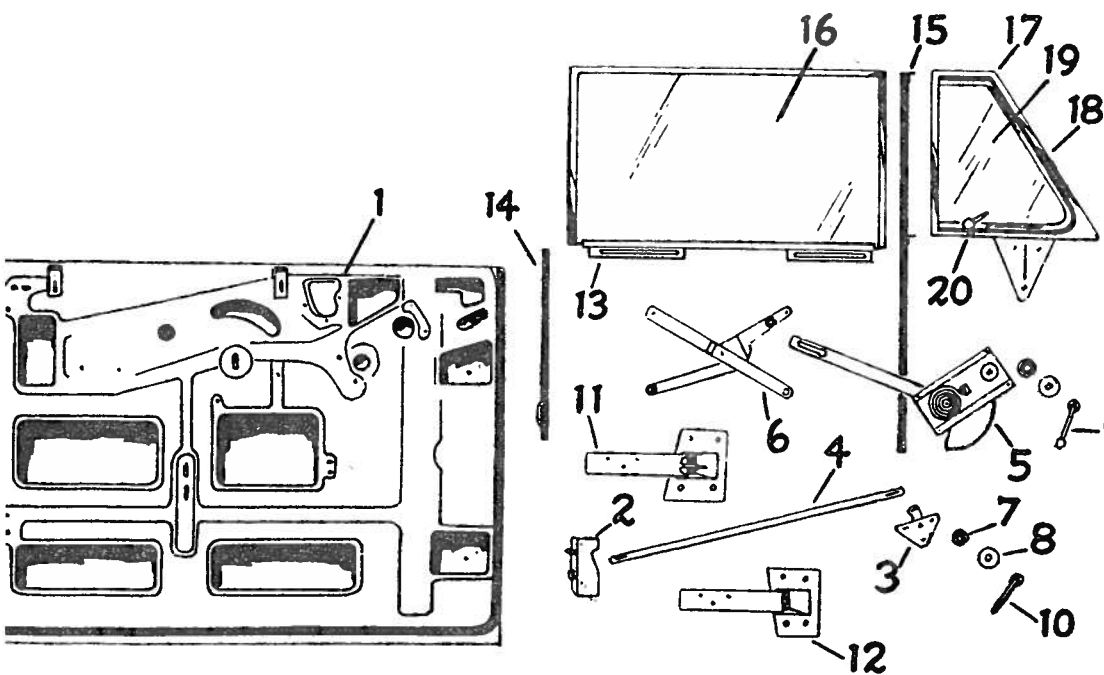
Item Part No.	Description	Price
8 1342013	Panel, rear deck upper (w/drain trough), 1950	5.25
8 1342423	Panel, rear deck up. (spec. c. cpe.), 1950	14.90
9 1241331	Panel, rear deck, lower	3.70

Item Part No.	Description	Price
9 1334358	Panel, rear deck, lower (spec. c. cpe.), 1950	23.90
10 1303165	Lid, rear deck assy., 1949	38.65
10 1331857	Lid, rear deck assy., 1950	38.35
1138586	Tank, fuel assy., C-46, C-49	16.55

Part No.	Description	Price
1138587	Tank, fuel assy., C-45, C-48	13.45
1126688	Strap, tank support, C-45, C-48	.65
1126689	Strap, tank support, C-46, C-49	.65
1349193	Panel, roof assy., spec. club, cpe.	112.00

DOOR ASSEMBLY CONVERTIBLE COUPE

Item Part No.	Description	Price
1 1249763	Door, less trim, hardware (C-45, C-46)	60.40
1 1342673	Door, less trim, hardware (C-48, C-49)	60.40
2 1242694	Lock assy.	3.50
3 1296699	Remote control	1.15
4 1244139	Link	.70
5 1249651	Regulator, assy.	6.05
6 1245631	Arm & pivot	1.85
7 89796	Spring	.06
8 1156240	Escutcheon, regulator (plastic)	.80
8 1304447	Escutcheon, remote control	1.05
9 1256158	Handle, regulator	4.05
10 901268	Handle, remote control	1.35
11 1307507	Hinge, upper, 1949	4.45
11 1333272	Hinge, upper, 1950	4.45
12 1307510	Hinge, lower, 1949	3.75
12 1307510	Hinge, lower, 1950	3.75
13 1246835	Channel, lower door glass	3.95
14 1246990	Run, door glass rear, 1949	.65
14 1338780	Run, door glass rear, 1950	.40
15 1246909	Div. channel run	1.10
16 1246836	Glass, door assy.	P.O.A.
17 1246959	Frame, vent wing, 1949	24.70
17 1247317	Frame, vent wing, 1949	8.95
17 1303875	Frame, vent wing, 1950	8.95
18 1247483	W/strip, vent wing	3.40
19 1246981	Glass, vent wing, 1949	P.O.A.
19 1342480	Glass, vent wing, 1950	P.O.A.
20 895030	Handle, vent wing	.75
20 1303852	Handle, vent wing, 1950	.80



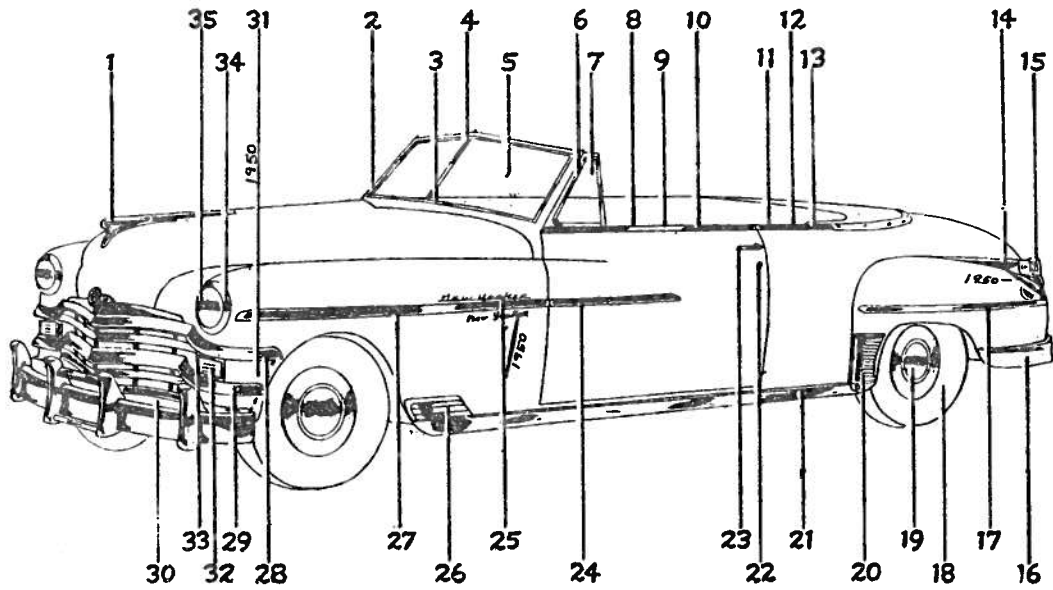
CHRYSLER 1949-50 BODY PARTS

Models C45, C46, C48, C49. ALL BODY STYLES

BODY MOULDINGS, WHEELS & GLASS

CONVERTIBLE COUPE AND SPEC. CLUB COUPE

Part No.	Description	Price
1299366	Ornament hood top, 1949	9.90
1335540	Ornament, hood top, 1950	9.45
1303247	Mldg., windshld., upper	6.85
1249340	Bar, windshld. division, 1949	2.45
1247620	Bar, windshld. division, C-48, 1950	1.80
1249340	Bar, windshld. division, C-49, 1950	2.45
1303488	Clip, windshld., upper division bar	.15
1303490	Clip, windshld., lower division bar	.30
1248850	Clip, windshld., upper side, 1949	.30
1248851	Clip, windshld., lower side, 1949	.30
1246583	Glass, windshld. P.O.A.	
1247317	Frame, door vent. wind glass, 1949	8.95
1303875	Frame, door vent. wind glass, 1950	8.95
1247483	Weather strip door vent. wing	3.40
1303582	Glass, vent. wing, 1949	P.O.A.
1342480	Glass, vent wing, 1950	P.O.A.
1246833	Frame, door glass	19.45
1246836	Glass door	P.O.A.
1336709	Mldg., door belt, C-48, 1950	4.05
1303409	Mldg., door belt, C-49, 1950	15.70
1256173	Mldg., door belt, 1949	2.90
1248779	Frame, assy., rr. qtr. window	20.75
246871	Glass, assy., rr. qtr. window	P.O.A.
1303285	Mldg., rr. quarter panel	4.75
1336587	Mldg., rr. qtr. panel C-48, 1950	2.90
1300638	Base, tail lamp, '49	10.30
1340245	Bezel, tail lamp, 1950	2.50
1300768	Lens, tail lamp, '49	2.70
1340254	Lens, tail lamp, '50	1.85
1313108	Bar, rear bumper face, 1949	47.25
1319600	Bar, rear bumper face, outer left, 1950	20.20
1296004	Mldg. rear fender, 1949	4.75
333998	Mldg. rear fender, 1950	5.05
142887	Wheel, assy. (15 x 5.50)	11.05



Item	Part No.	Description	Price
19	1142850	Cover (stainless steel)	7.70
19	1142879	Cover (w/painted rim)	6.05
20	1301519	Shield, rr. fender, 1949	7.10
20	1341153	Shield, rr. fender, 1950	7.10
21	1308851	Mldg., body sill, C-45, 1949	12.10
21	1334917	Mldg., body sill, C-48, 1950	12.10
21	1334919	Mldg., body sill, C-49, 1950	12.60
21	1308853	Mldg., body sill, C-46, 1949	13.40
22	1315510	Lock cylinder	2.05
23	1248021	Handle, door assy. exten., 1949	2.35
24	1252850	Mldg., door fender exten., 1949	2.00
24	1334043	Mldg., door fender exten., 1950	2.00
25	1301493	Plate, fender side name (Windsor)	1.30
25	1301496	Plate, fender side name (New Yorker)	1.30
26	1254993	Ornament, fender skirt	2.35
26	1335604	Ornament, fender skirt, C-49, 1950	3.50

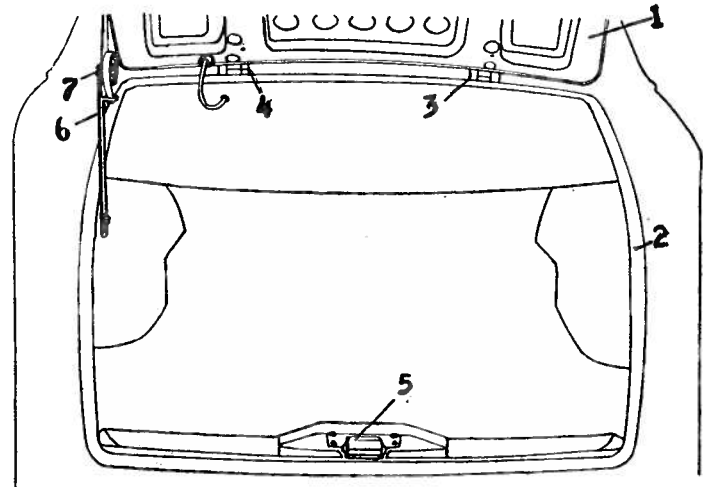
Item	Part No.	Description	Price
27	1256517	Mldg., front fender side (early), 1949	3.75
27	1244489	Mldg., front fender side (later), 1949	9.70
27	1335656	Mldg., front fender side, C-48, 1950	9.70
27	1335567	Mldg., front fender side, C-49, 1950	11.05
28	1298367	Mldg., grille exten., upper, 1949	4.10
28	1335552	Mldg., grille ex., upper, C-48, 1950	3.30
28	1335524	Mldg., grille ex., upper, C-49, 1950	3.30
29	1298369	Mldg., grille, ctr. on fender, 1949	3.50
30	1298371	Mldg., grille, low. on fender, 1949	2.05
30	1335571	Mldg., bottom bar, 1950	2.35
31	1335500	Plate, frt. fender, lower, C-49, 1950	7.30
32	1297925	Bezel, parking lamp, 1949	2.45
32	1343228	Bezel, parking lamp, C-48, 1950	2.45
32	1340179	Bezel, parking lamp, C-49, C-50, 1950	1.90
33	1297922	Lens, parking lamp, 1949	1.30

Item	Part No.	Description	Price
33	1343218	Lens, parking lamp, C-48, 1950	.95
33	1297832	Lens, parking lamp, C-49, C-50, 1950	.65
1297916	Housing, parking lamp, 1949	2.30	
1343226	Housing, parking lamp, C-48, 1950	2.80	
1340052	Housing, parking lamp, C-49, C-50, 1950	2.50	
1343224	Gasket, parking lamp, C-48, 1950	.40	
1340046	Gasket, parking lamp, C-49, C-50, 1950	.40	
1297923	Gasket, parking lamp, 1949	.65	
1302433	Head lamp assy., 1949	11.50	
1340259	Head lamp assy., 1950	11.50	
34	1239411	Door	2.05
946942	Ring	1.65	
35	1297667	Unit, sealed beam (bulls eye lens)	1.50
35	853369	Unit, sealed beam (plain lens)	1.40
946940	Seat, bulb mount.	1.85	
1154200	Shell	2.95	
997686	Gasket, 1949	.15	
1310488	Gasket, 1950	.20	

REAR QUARTER WINDOW CONVERTIBLE COUPE

Not Illustrated

Part No.	Description	Price	Part No.	Description	Price
248779	Frame assy.	3.75	1248139	W/strip, up.	1.10
307551	Window guide run	.30	1248279	Guide assy.	1.35
248766	W.do. guide run, '50	2.35	1248875	Regltr. assy.	3.75
249061	Channel, low. assy.	2.30	1256158	Regltr. handle	3.85
247546	Sup., low. channel.	2.30	1304447	Escutcheon	1.00
247545	Sup. low chnl., '50	1.35	1246871	Glass	P.O.A.
248073	W/strip, low. chan.	1.35			

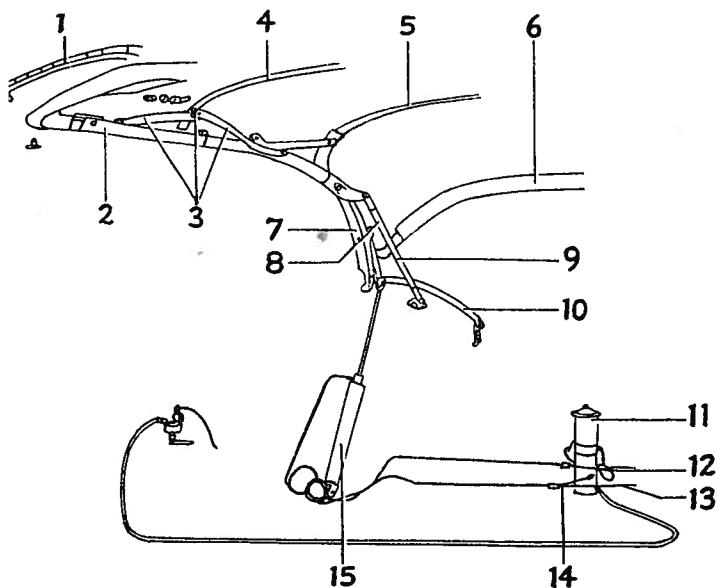


REAR LUGGAGE COMPARTMENT CONVERTIBLE COUPE

Part No.	Description	Price	Item	Part No.	Description	Price
303165	Lid, rear deck assy.	38.35	4	1303194	Pin, lid hinge, 1949	.15
331857	Lid, rear deck assy., 1950	38.35	5	1299663	Catch, deck lid lock	.40
244478	W/strip	4.90	6	1303546	Bracket, lid prop arm, 1949	.45
303189	Hinge, assy., 1949	4.75	7	1303542	Prop, lid assy., '49	4.15
3415646	Hinge assy., 1950	4.75				

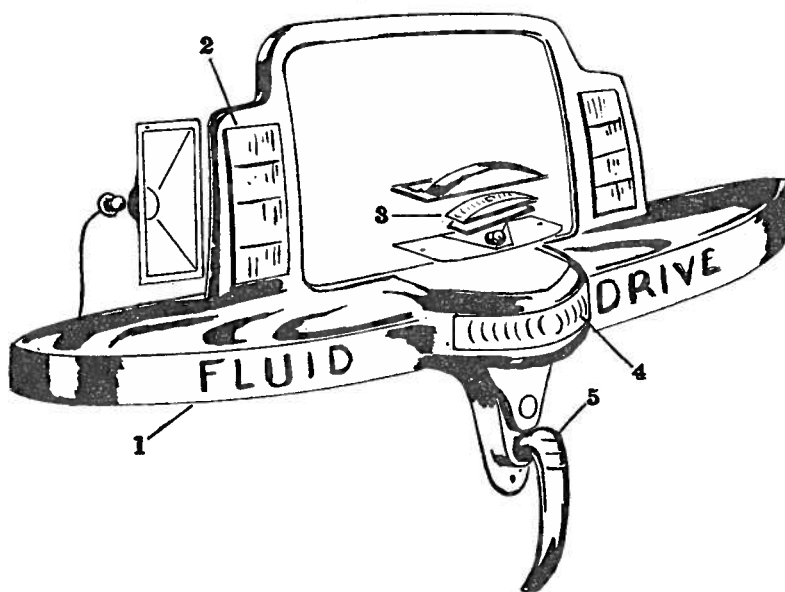
BODY PARTS 1949-50 CHRYSLER

Models C45, C46, C48, C49. ALL BODY STYLES



CONVERTIBLE FOLDING TOP

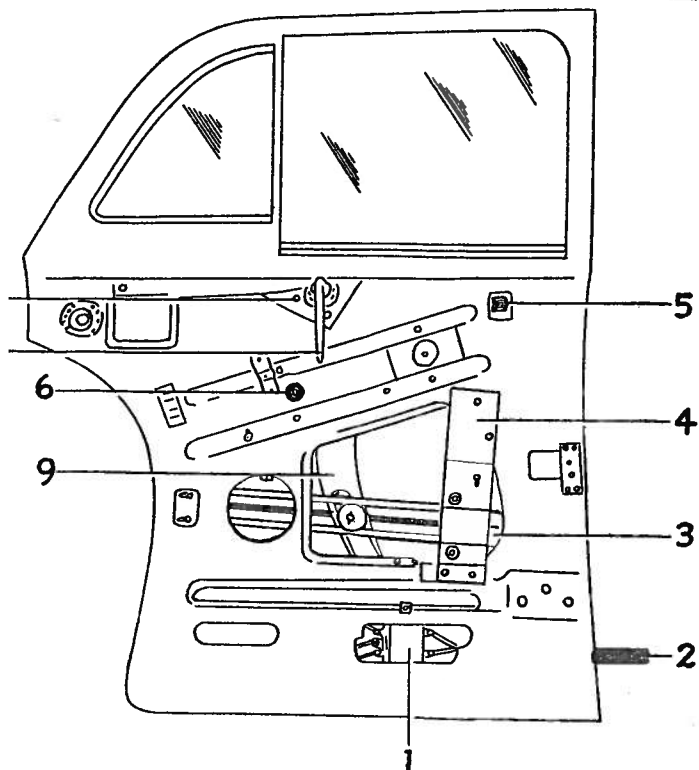
Part No.	Description	Price	Item Part No.	Description	Price
1291406	Folding top, complete (C-45, C-48).....P.O.A.		8 1303019	Prop, fold., top main cntrl., plated (C-46, C-49)	4.75
1291407	Folding top, complete (C-46, C-49).....P.O.A.		9 1246354	Link, top rear bow	2.40
1246600	Weatherstrip top header, front	4.05	10 1246341	Link, top pwr. gde.	2.50
1245733	Rail, top side, L.F.	6.85	11 1300526	Motor, top lift	24.25
1249173	Link, No. 1 bow & side rail (C-45, C-48).....	7.90	11 1297763	Motor, top lift, w/pump assy.	45.00
1303125	Link, No. 1 bow & side rail (C-46, & C-49).....	15.50	12 861849	Tube, operating cylinder to tee return	1.35
1245261	Bow, top, No. 1	3.00	12 861845	Tube, oper. cylinder to tee pressure	1.00
1245287	Bow, top, No. 2	3.00	13 861846	Tube, top tee to operating cyl. pressure	1.10
1248993	Bow, rear assy., welded (C-45, C-46).....	7.20	14 1305030	Tube, pump to tee pressure	.55
1246436	Bow, rear assy., welded	7.90	15 1249516	Cylinder, assy. (includes yoke)	13.40
246285	Pillar, top fold., L.	19.45			
246335	Prop, folding top main control (white)....	1.60			



STOP AND LICENSE LAMP

MODELS C-45, C-46

Item Part No.	Description	Price	Item Part No.	Description	Price
1 1253303	Shell (4-d., C. cpe., conv. cpe.), C-45	24.85	1310297	Gasket, stop lamp (7 sed., limo.), C-45	.15
1 1310586	Shell (town-ctry., C. cpe., conv. cpe.), C-46	24.85	1257455	Gasket, stop lamp (sta. wag.)	.10
1 1302834	Shell, w/stud (7 sed. & limo.), C-45	P.O.A.	1257446	Bezel, stop lamp (sta. wag.), C-45	1.95
1 1253303	Shell (4-d. & C. cpe.), C-45	24.85	1302836	Brkt., rear license	.40
1 1308139	Shell (C-47)	24.85	1314103	Clamp, lic., up	.45
2 1253308	Lens, stop lamp side	.90	1314104	Clamp, lic. low	.45
2 1308387	Lens, stop lamp side (7 sed. & limo.), C-45	1.05	1257446	Bezel, license lamp (sta. wag.)	1.95
2 1257454	Lens, stop lamp (sta. wag.), C-45	.75	1253317	Bezel, license lamp	1.90
1253309	Gasket, stop lamp	.15	3 1253314	Lens, center top	.75
			3 1257456	Lens (sta. wag.)	.85
			4 1253318	Lens, front	.90
			5 1253026	Handle	1.95

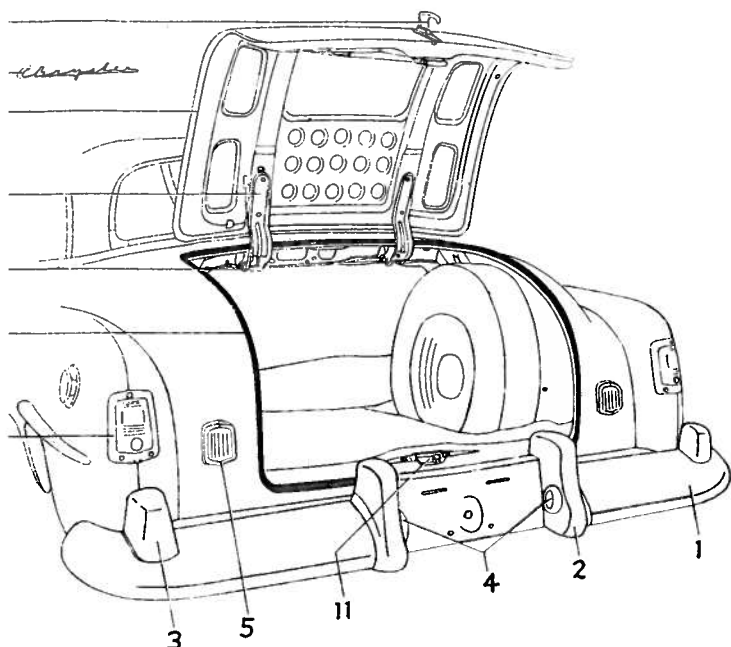


ELECTRIC WINDOW LIFT PARTS

Item Part No.	Description	Price	Item Part No.	Description	Price
1 1233778	Circuit breaker (C-48W, C-50)	1.30	8 1159163	Handle, door, remote control (C-47)	1.75
1 1239431	Circuit breaker (limo.), C-48, C-50	.85	8 1342071	Handle, door, remote control (C-50)	1.75
2 1336326	Conduit, regulator hose (C-50)	1.20	9 1336245	Regulator (C-50)	18.40
3 1310291	Motor, w/pump (7 sed. & limo.), C-47, C-48	52.50	9 1338360	Regulator (limo.), C-48, C-50	26.80
4 1338045	Support, regulator (limo.), C-48, C-50	.35	1305799	Plate, window regulator switch	.15
5 1336480	Switch, regulator front door (C-50)	2.50	1342076	Knob, window regulator (chrome butler)	.65
5 1341597	Switch (up position), rear door, C-50	2.50	1341824	Bar, regulator switch buss (5-gage)	.55
5 1342075	Switch (chrome butler), 7 sed. & limo.	2.50	1336485	Bar, front door window, long (C-50)	.35
6 1342081	Spring, front & rear door window	1.45	1336600	Bmpr, hyd. regltr.	.10
7 1304567	Remote control, frt. door (C-47, C-48, C-50)	1.15	1336594	Cylinder, front & rear door (C-50)	13.15
7 1304911	Rmte. control, rear door (C-47, C-48, C-50)	1.25	1342168	Cylinder window regltr. (limo.), C-48, C-50	12.10
8 1336122	Handle, door, remote control (C-48, C-50)	1.75	1345660	Pin, lift lever (limo.), C-48, C-50	.10
			790839	Pin, lift lever (C-48, C-50)	.03

CHRYSLER 1949-50 BODY PARTS

Models C45, C46, C48, C49. ALL BODY STYLES



REAR END OF CAR

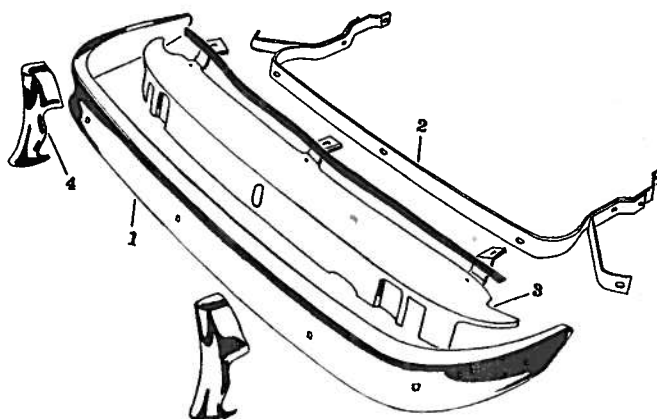
Part No.	Description	Price	Part No.	Description	Price
1320732	Bar, bumper face (7 sed., limo), C48	63.00	1321710	Support, face bar end (town & country)	1.60
1319667	Bar, bumper face (C50)	84.75	1319616	Support, face bar end (C50)	1.85
1319656	Bar, bumper face (4-d. C. cp., conv. cp.), C49	57.75	1320680	Support, face bar (C-48, C-49)	14.95
1319600	Bar, bumper face, outer (C48)	20.20	1320749	Support, face bar (7 sed. & limo.)	18.10
1320735	Bar, bumper face out. (7 sed. & limo.), C48	22.60	1321686	Support, face bar (sta. wagon), C48	21.50
1320737	Bar, bumper face out. (town & cntry.), C49	22.60	1323966	Support, face bar (est. wagon), C48	21.50
1319618	Bar, bumper face, out. (C50)	18.35	1320739	Support, face bar (town & country), C49	20.95
1319667	Bar, bumper face, inner left (C50)	84.75	1320767	Support, face bar, inner left (C50)	5.80
1320689	Bar, bumper face, center assy. (C48)	20.20	1320769	Support, face bar, outer left (C50)	3.70
1319640	Plate, bumper buffer, inner	9.70	1333727	Welt	10 per ft.
1319623	Plate, bumper buffer, outer	5.00	1334313	Deflector (4-d. sed., C. cpe., conv. cpe., spec. C. cpe.)	7.15
1319664	Support, face bar end (C-48, C-49)	1.60	1334685	Deflect. (sta. wag.)	7.15
1323987	Support, face bar end (est. wagon)	1.60	1342422	Deflector (7 sed. and limo)	11.05
321711	Support, face bar end (sta. wagon)	1.60	1334318	Deflector (town & country)	10.95
			1341241	Deflect., L. (C50)	6.75

ITEM 4—LICENSE LAMP ASSEMBLY—1950

Part No.	Description	Price	Part No.	Description	Price
340374	Bezel, rear lic. lamp	1.50	1345533	Cable, rear lic. lamp	1.10
340376	Lens, rear lic. lamp	.65	1340378	Socket & bracket	.40
340377	Clamp, rear lic. lamp	.65	1340384	Grommet, license lamp socket & bracket	.03
340371	Hsng., rear lic. lamp	2.25	1340383	Spacer, license lamp socket & bracket	.04
340385	Gasket, rear license lamp, rubber	.20			

ITEM 5—BACK-UP LAMP—1950

Part No.	Description	Price	Part No.	Description	Price
343345	Bezel (4-d. sed., C. cpe. & conv. cpe.), C48, C49	2.25	1343341	Gasket, (4-d. sed., C. cpe. & conv. cpe.), C48, C49	.20
343343	Lens (4-d. sed., C. cpe. & conv. cpe.), C48, C49	.65	1343342	Gasket, rubber (4-d., C. cpe., conv. cpe.)	.15
			1343338	Reflector, (4-d., C. cpe., conv. cpe.)	1.20



REAR BUMPER—1949

Item Part No.	Description	Price	Item Part No.	Description	Price
1 1139286	Bar, bumper face, C-45	47.25	2 1141822	Support, Bar 7 sed. and limo., C-45	12.10
1 1141824	Bar, bumper face, 7 sed. and limo.	38.35	2 1312500	Support, bar, sta. wag., C-45	4.75
1 1312498	Bar, bumper face, sta. wag. C-45	20.20	2 1142778	Support, bar, town and country, C-46	19.45
1 1313108	Bar, bumper face 4-d. c. cpe. conv. cpe., C-46	47.25	3 1254083	Deflector, rear bum. (4-d., c. cpe., conv. cpe.)	6.40
1 1314636	Bar, bumper face, town and country, C-46	26.80	3 1314110	Deflector, rear bum. (sta. wag.) C-45	7.15
1 1315917	Bar, bumper face, outer left, C-46	22.60	3 1304594	Deflector, rear bum. 7 sed. and limo., C-45	11.05
1 1315914	Bar, bumper face, center partial assy.	37.55	4 1316161	Plate, bum. buffer (exc. 7 sed. limo.)	6.40
2 1137796	Support, bar (4-d., c. cpe. conv. cpe.)	13.15	4 1142189	Plate, bum. buffer 7 sed. and limo.	6.55

ITEM 6—TAIL AND STOP LAMP—1950

Part No.	Description	Price	Part No.	Description	Price
1340245	Bezel, tail lamp	2.50	1333984	Housing welded to fender	1.25
1340254	Lens, w/ref. button	1.85	1340241	Housing, tail lamp	2.65
1340252	Gskt., w/ref. btn.	.30	1340140	Socket & bracket	.30
1244982	Gskt., lens reflect.	.05	1340145	Seal, tail lamp mounting stud	.04
1244981	Button, tail lamp reflector	.60			

REAR LUGGAGE COMPARTMENT

Item Part No.	Description	Price	Item Part No.	Description	Price
7 1255485	Lid, rear, luggage assy. (4-d. & C. cpe.), '49	38.35	10 1301218	W/strip, top (town & country)	1.75
1331857	Lid, rear, luggage, C-48 (4-d. & C. cpe.), '50	38.35	10 1301217	W/strip, side (town & country)	1.45
1255609	Lid, less panel (town & country), 1950	204.75	10 1301218	W/strip, bottom (town & country)	1.75
1247877	Lid, assy. (7 sed. & limo.), C-45, 1949	38.35	11 1299663	Catch, lid lock	.40
1247877	Lid, assy. (7 sed. & limo.), C-48, C-50	38.35	12 1254997	Lock, luggage compartment lid	1.75
8 1241466	Hinge, assy. (4-d.)	1.85	1333311	Lid lock, remote control (town & country)	6.15
1270688	Hinge, assy. (C. cpe.)	1.95	1306438	Bracket assy. (town & country)	2.90
1302094	Hinge, assy. (town & country)	1.95	13 1331821	Plate, lug. lid name, '50	1.95
1336455	Hinge, w/brkt., 7 sed. & limo., '50	4.35	13 1333667	Plate, Chrysler, town & country, '50	2.90
1305015	Hinge, w/spg. gde. (7 sed. & limo.), '49, no longer serviced	3.00	13 1157632	Plate, town & country, '50	1.75
9 1242717	Spring assy. (4-d.)	2.80	13 1256025	Plate, luggage lid name, '49	2.25
9 1239087	Spg. assy. (C. cpe.)	2.80	1307639	Brkt., lid prop., up. (town & country), '49	.80
1342376	Guide and spring (7 sed. & limo.), '50	3.00	1333613	Brkt., lid prop. to lid (town & country), '50	.80
1342705	Guide, w/spring (spec. club cpe.)	2.80	1333656	Brkt., lid prop. to floor (town & ctry.), '50	.95
10 1244478	W/strip. (4-d. C. cpe., conv. cpe., spe. C. cpe.)	4.90	1307632	Prop., lid assy. (town & country), '49	2.65
10 1341546	W/strip., C-48 (7 sed. & limo.), '50	4.90	1334400	Tube, lid prop., in. (town & country), '50	2.65
10 1305451	W/strip., C-45 (7 sed. & limo.), '49	4.90	1334401	Tube, lid prop., out. (town & country), '50	2.80
10 1338423	W/strip., C-50 (7 sed. & limo.), '50	3.30	1333320	Striker, lid lock	.90

BODY PARTS 1949-50 CHRYSLER

Models C45, C46, C48, C49. ALL BODY STYLES

STEERING GEOMETRY

CASTER: Zero preferred.
Limits: 1 degree negative to 1 degree positive.

CAMBER: 2 degree negative preferred. Limits: 1 degree negative to 3 degree positive.

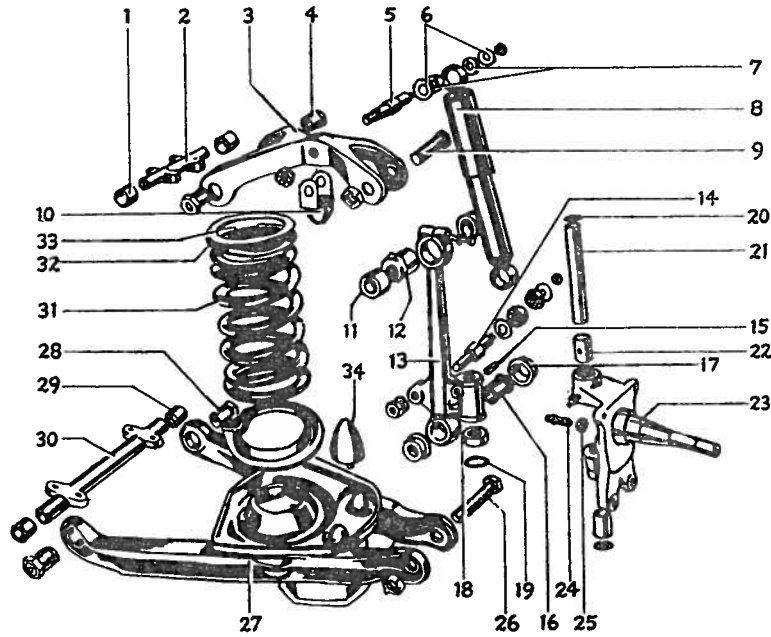
TOE-IN: Zero preferred.
Limits: Zero to 1/16 inches.

KING PIN INCLINATION:
4 3/4 to 6 degree.

ALL MODELS

CAMBER: Is controlled by turning eccentric upper support bushing until correct adjustment is secured.

CASTER: Manufacturers of cars using this construction state that caster is non-adjustable.



FRONT SUSPENSION PARTS MODELS C45, C46, C48, C49

Part No.	Description	Price	Item Part No.	Description	Price	Item Part No.	Description	Price	Item Part No.	Description	Price
7152	Dust seal (C-45, C-48)	.10	9	1238409—Pin & nut package	1.20	20	179380—Plug, steering knuckle oil seal	.10	28	854085—Bush. (7 sed., limo., sta. wag. C-45), C-46, C-47	.90
6092	Dust seal (C-46, C-48, C-49)	.10	10	861212—Bmpr. up. cntrl. arm	.75	21	626975—King pin (C-45, C-48)	.75	29	696092—Dust seal, control arm bar (C-45, C-48)	.10
7150	Bar, up. control arm pivot (C-45, C-46, C-48)	2.25	11	1117380—Dust seal, upper cntrl. arm, rub. (C-45, C-48)	.10	21	634036—King pin (exc. town & country)	1.85	29	854082—Dust seal (C-48, C-49, C-50), 1950	.15
3284	Bar, C-45, C-46, C-48, C-49 (7 sed., limo., twn. sed., sta. wag.)	2.60	11	1117381—Dust seal, upper control arm, rubber	.15	21	1312899—King pin (town & country C-49)	1.85	29	854082—Dust sl. (C-45 7 sed., limo., sta. wag.), C-46, C-47	.15
2669	Arm, up. control assy. (C-45, C-48)	6.80	12	1064675—Pin bush., up. cntrl. arm package (C-45, C-48)	1.05	22	633672—Bushing, king pin, lower (C-45, C-48)	.25	30	852346—Bar, low control arm (C-45, C-48)	3.95
2775	Arm (7 sed., limo., twn. sed. & sta. wag.)	8.50	12	1064676—Pin bushing, up. control arm package	1.35	22	871297—Bush., low. king pin (C-49 town & country)	.75	30	853271—Bar (C-45, C-46, C-47, C-48, C-49, C-50)	3.95
41150	Bushing, up. arm pivot bar (C-45, C-48)	.55	13	1119643—Supt., strg. knuckle, w/stud (C-45, C-48)	7.65	23	1311429—Knuckle, incl. bushing & bearing (C-45)	10.80	31	1134312—Spg. frt. (4-d. sed. & club cpe.), C-45	6.90
41148	Bushing (7 sed., limo., twn. sed. & sta. wag.)	.65	13	1127956—Support (C-45, 7 sed., limo., sta. wag.)	9.35	23	866819—Knuckle (C-45 7-sed., limo., sta. wag.), C-45, C-46	12.95	31	1318186—Spring (on driver side), C-45	6.90
1213	Stud, shock arm, up. (1" diam.)	.65	13	1314514—Suprt. (C-47, C-49, C-50, twn. ctry. C-49)	10.70	23	866819—Knuckle (C-48, C-49, C-50, exc. twn & ctry.)	12.95	31	1139007—Spring (7 sed. & limo. C-45)	6.90
13945	Stud, shock arm, up. (1 3/8" diam.), C-47, C-50	.65	14	1119674—Stud, shock absorber, lower, 1949	.65	23	866821—Knuckle (C-47), '49	12.75	31	1141015—Spring (on driver side), sta. wagon	6.90
5917	Retainer, shock bush., in. (1" diam.), '49	.03	14	131952—Stud, shock absorber, lower, 1950	.65	23	1318040—Knuckle, w/bearing & bushing (C-48)	12.15	31	1127985—Spring (4-d. sed. & club cpe.), C-46	6.90
42547	Retainer, shock bushing, in., 1950	.04	15	620371—Pin, lock (exc. town & country)	.10	24	1317203—Knuckle (C-49 town & country)	11.55	31	1127983—Spring (4-d. sed. & club cpe.), C-46	6.90
5004	Retain., shock bush., out. (1" diam.), 1949	.03	15	1318906—Pin, lock (town & country C-49)	.30	25	644620—Screw, steering knuckle stop	.06	31	1318187—Spring (4-d. sed. & club cpe.), C-48	6.90
42548	Retainer, shock bushing, outer, 1950	.03	16	1064677—Pin & bushing package (C-45, C-48)	.90	25	120371—Nut, steering knuckle stop	.04	31	1140285—Spring (est. wag.), C-48	6.90
8164	Bushing, shock pivot bar, 1949	.15	16	1064678—Pin & bush. pkge.	1.15	26	853282—Pin, low. cntrl. arm	1.35	31	1127984—Spring (7 sed., limo.), C-48, C-49	6.90
41099	Bushing, shock pivot bar, 1950	.20	17	1118883—Dust seal, lower control arm (C-45, C-48)	.10	27	1127931—Arm, low. control, w/spring seat (C-45)	5.80	31	1138944—Spg. (7 sed., limo. & twn. ctry), C-48, C-49	6.90
38521	Pkge., shock absbr. & bushing, 1949	5.60	17	1118884—Dust seal lower control arm	.15	27	1313939—Arm, lower control, w/spg. seat (C-45, C-48)	5.80	31	1134324—Spring (C-50)	.30
11033	Pkge., shock absbr. & bushing, 1950	5.60	18	626503—Bearing, steering knuckle thrust (C-45, C-48)	.50	27	1127931—Arm, low. control, w/spring seat (C-46)	7.15	32	691144—Silencer, spg., up.	.30
11034	Pkge., shock absbr., & bushing (C-48, C-49)	5.60	18	622407—Bearing, steering knuckle thrust	.77	27	1313941—Arm, lower (C-45, C-46, C-46, C-47, C-48, C-49, C-50)	7.15	32	1137550—Silencer, spg., low.	.35
35544	Shock absorber (sta. wag., C-45), 1949	6.75	19	626871—Shim, steering knuckle thrust (C-45, C-48)	.04	28	1318246—Bushing, control arm bar (C-48)	.65	33	657770—Spacer (use on driver side only)	.50
41500	Pin & nut package (C-45, C-48)	1.00	19	626870—Shim, strg. knuckle thrust (.010 thick)	.04	28	854085—Bushing, control arm bar, 1950	.90	34	1137965—Bumper, lower control arm, 1949	.75
			20	117920—Plug, steering knuckle oil seal	.06	28	683230—Bushing, control arm bar (C-48)	.65	34	1319807—Bumper, lower control arm (C-48)	.75
									34	1313928—Bumper, lower control arm (C-48, C-50)	.75

Frame dimensions not available on these models