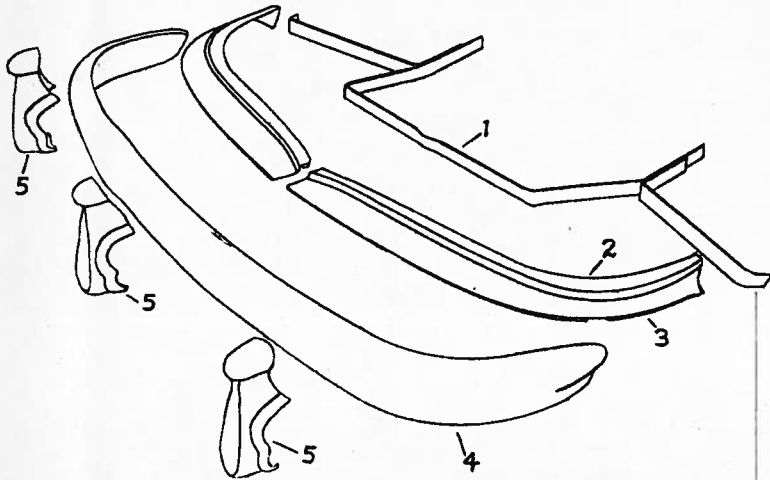


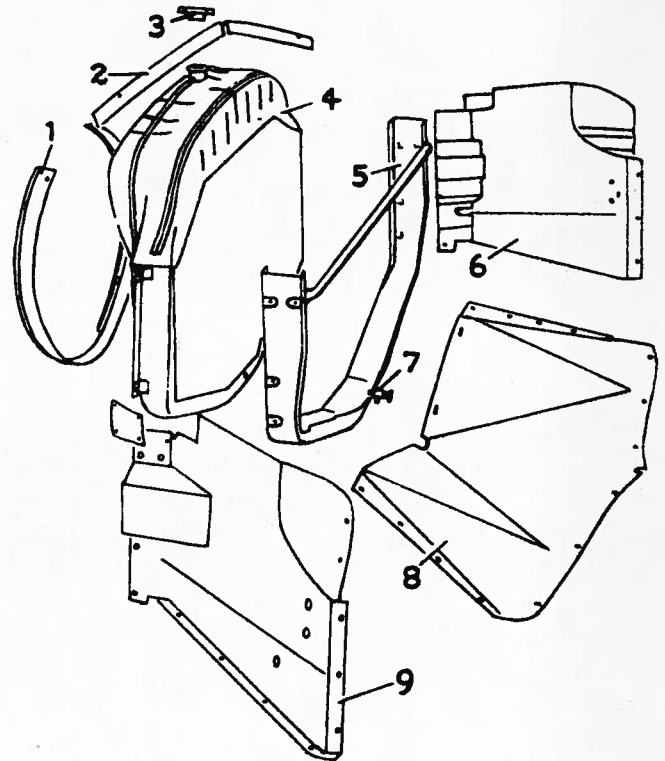
# CHRYSLER 1946 to 1948 BODY PARTS

## Series C38, C39. TOWN AND COUNTRY BODIES



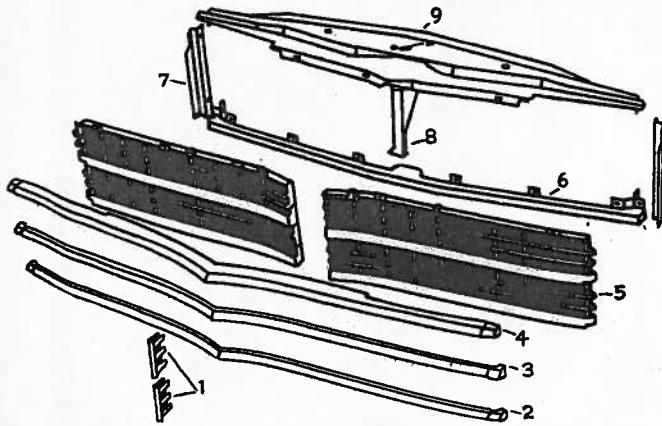
**FRONT BUMPER ASSEMBLY**

Item Part No.	Description	Price	Item Part No.	Description	Price
1 1115782	Support	8.95	5 1123485	Guard or buffer, L.	7.75
2 313073	Anti-squeak	.06	5 1115181	Guard or buffer, cent.	7.75
3 1149291	Deflector, L.	3.95			
4 1115461	Bar, face	35.35			



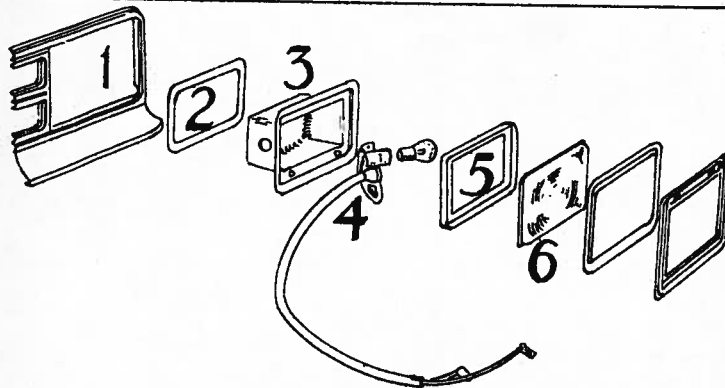
**RADIATOR ASSEMBLY**

Item Part No.	Description	Price	Item Part No.	Description	Price
1 983161	Shroud, C39	2.30	5 1234791	Support, C38	6.05
2 1157309	Seal, C38	.45	5 1234793	Support, C39	7.30
2 1163770	Seal, C 39	.75	6 1153973	Shield, L., C38	3.75
3 837237	Cap, C38	.75	6 1152445	Shield, L., C39	3.75
3 932676	Cap, C39	1.45	7 907782	Cook	.60
4 972210	Core, C38	70.45	8 1155958	Shield, L., C38	3.25
4 1155287	Core, C3 9	100.69	8 1156453	Shield, L., C39	4.15



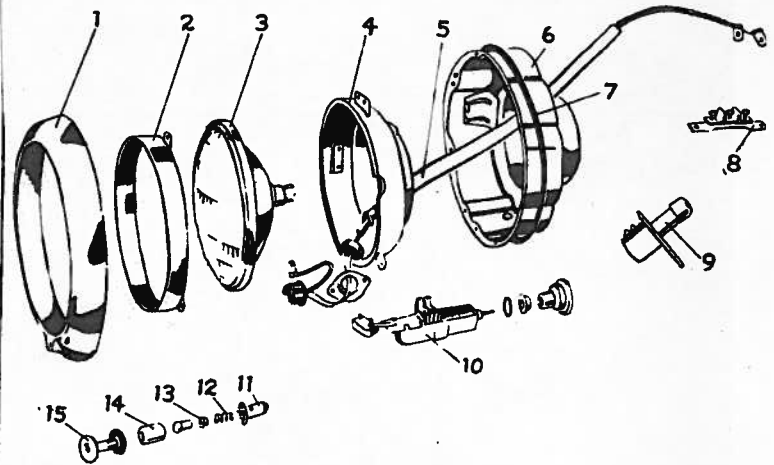
**GRILLE ASSEMBLY**

Item Part No.	Description	Price	Item Part No.	Description	Price
1 1151914	Bar, upper	.35	5 1151913	Grille, L.	19.85
1 1158634	Bar, lower	.35	6 1149466	Bar, low. cross	3.15
2 1151917	Mould., low.	5.20	7 1154035	Brace, L.	.50
3 1151916	Mould., center	5.75	8 1152479	Strainer	.70
4 1151915	Mould., upper	6.35	9 1149423	Support	4.05



**PARKING LAMP ASSEMBLY**

Item Part No.	Description	Price	Item Part No.	Description	Price
1 1161114	Frame	1.25	4 1154937	Cable & socket, L.	1.50
2 1161485	Gasket	.06	5 1161486	Gasket	.30
3 1161484	Housing	1.25	6 1161482	Lens	.45



**HEADLAMP ASSEMBLY**

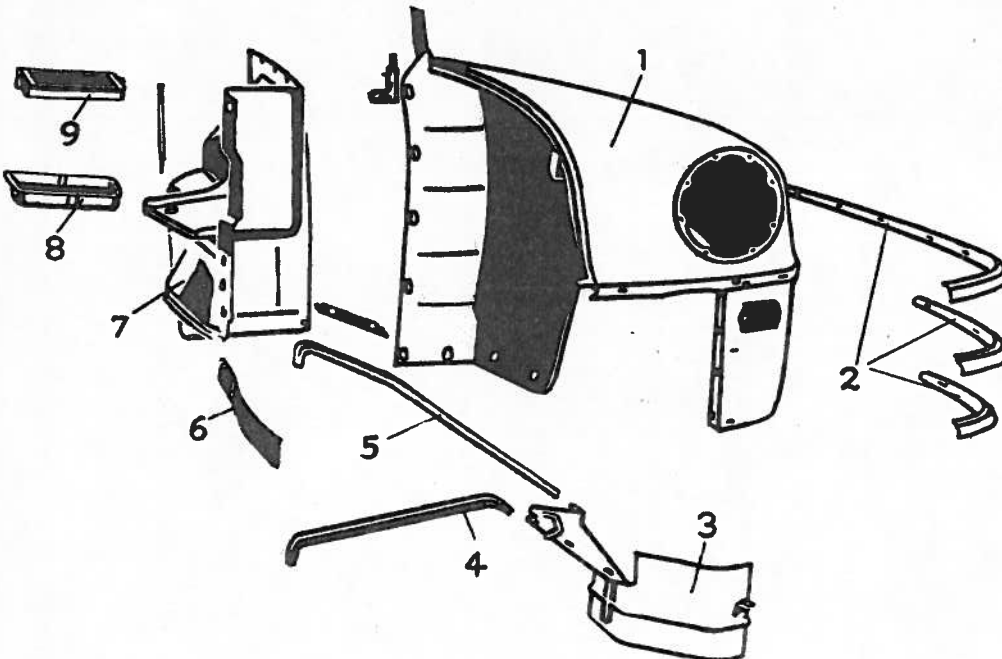
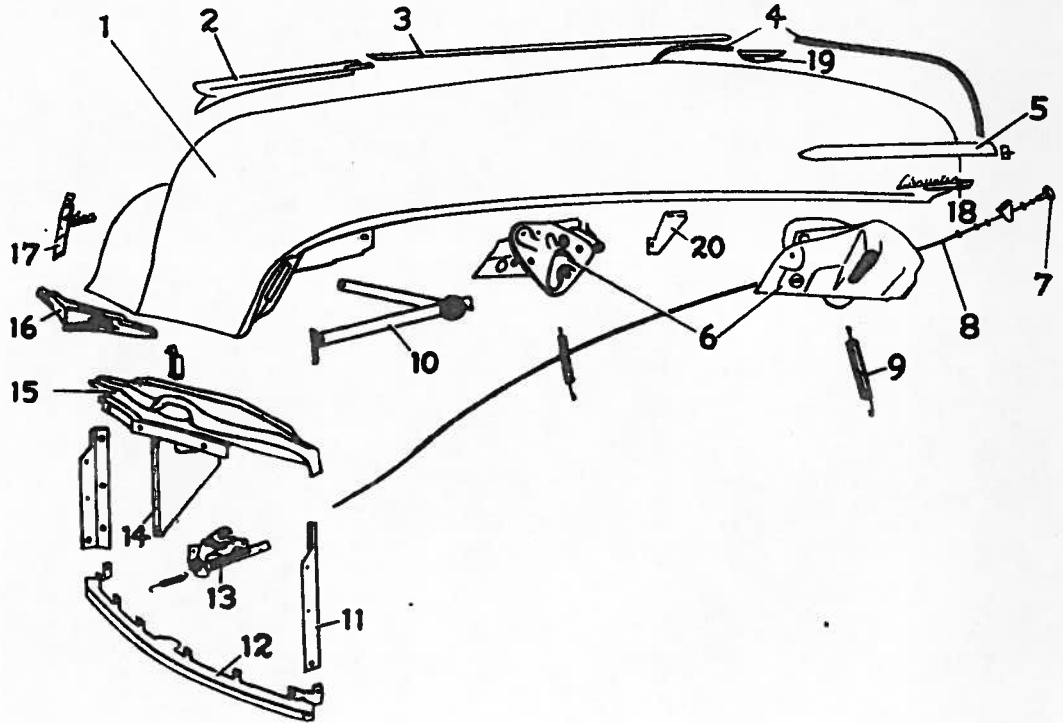
Item Part No.	Description	Price	Item Part No.	Description	Price
1 938964	Door	1.95	7 997686	Gasket	.15
2 948942	Ring, chrome	1.55	8 683995	Block	.30
2 948942	Ring, black enam.	1.55	9 859974	Switch, dim.	1.05
3 853389	Unit, sealed beam.	1.25	10 1163581	Switch, hdip.	2.40
4 948940	Seat	1.55	11 682198	Socket	.10
5 1163634	Cable & socket, 85 1/2"	2.20	12 385332	Spring	1.15
5 1149884	Cable & socket, 24"	1.55	13 657572	Contact	1.15
6 1154200	Shell	2.40	14 1163840	Body	.15
			15 1149850	Indicator	.40

# BODY PARTS 1946 to 1948 CHRYSLER

## Series C38, C39. TOWN AND COUNTRY BODIES

### HOOD ASSEMBLY

Item	Part No.	Description	Price
1	1233450	Panel, top, C38 ...	43.45
1	1233453	Panel, top, C39 ...	51.75
2	1152452	Ornament	7.50
3	973670	Mould., center, C38.	1.30
3	973671	Mould., center, C39.	1.50
4	747877	Strip, in rolls	.08
5	1154637	Mould., L. side	1.25
6	1149696	Hinge, L.	6.45
7	1157939	Knob & wire	1.00
8	908784	Housing	.75
9	981020	Spring	.70
10	985479	Prop.	2.00
11	1154035	Brace, L.	.50
12	1149466	Bar	3.15
13	980713	Lock	1.05
14	1152479	Strainer	.70
15	1149423	Support, front	4.05
16	1065802	Mould., front	3.20
17	974392	Plate, front	3.15
18	1157632	Plate, twn. & ctry.	1.65

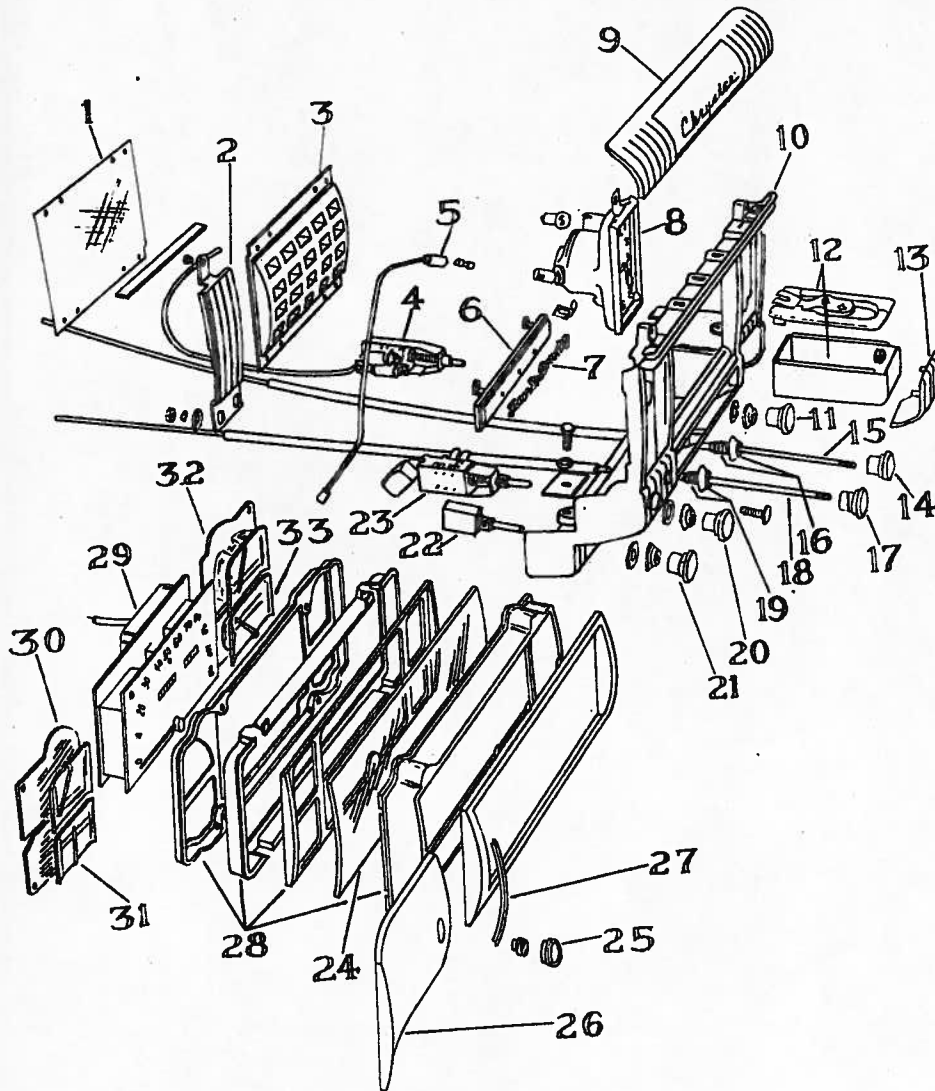


### FRONT FENDER ASSEMBLY

Item	Part No.	Description	Price
1	1148544	Fender, L., C38...	37.50
1	1149404	Fender, L., C39 ...	48.40
2	1151919	Mould., up.	3.75
2	1151921	Mould., center	3.95
2	1151923	Mould., low.	3.55
3	1158058	Shield, L., C38	2.20
3	1158067	Shield, L., C39	2.20
4	984056	Brace, L., up.	.80
4	1163483	Brace, L., up.	.60
5	984059	Brace, L., low.	.60
5	1236520	Brace, L., low.	.60
6	953865	Seal, C38	.30
6	953866	Seal, C39	.30
7	1121186	Shield, L., C38...	8.95
7	1121197	Shield, L., C39	9.25
8	937778	Tray	.80
9	865414	Strap	.65

# CHRYSLER 1946 to 1948 BODY PARTS

## Series C38, C39. TOWN AND COUNTRY BODIES

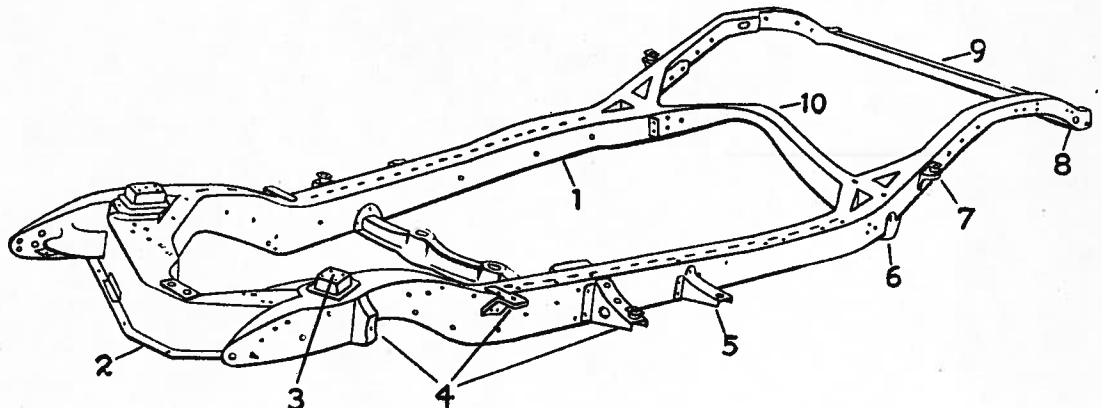


### INSTRUMENT PANEL

Item	Part No.	Description	Price
1	1149669	Screen	1.45
2	951994	Cover	1.45
3	1149725	Grille, maroon	1.45
3	1154757	Grille, green	1.45
3	1154758	Grille, blue	1.45
3	1154759	Grille, beige	1.45
3	1154760	Grille, neutral	1.45
4	1161570	Switch, heater	1.45
5	889867	Connector	.10
6	1149723	Mould	.85
7	973567	Plate, tw'n. & ctry.	1.45
8	1163920	Clock, pkg.	17.75
9	1149608	Mould	2.90
10	1149770	Frame	11.80
11	1163814	Knob	1.00
12	901183	Receiver	.95
13	951995	Plate, face	1.15
14	1148842	Knob	1.00
15	974511	Shaft & wire	.70
16	908784	Housing	.75
17	1148844	Knob	1.00
18	974511	Shaft & wire	.70
19	908784	Housing	.75
20	1148845	Knob	1.00
21	1148841	Knob	1.00
22	1233694	Switch, inst.	.75
23	1163581	Switch, hdip.	2.40
24	935699	Lens	1.15
25	903437	Switch, starter	1.35
26	934814	Mould, bezel end	.60
27	1154761	Mould, bezel, mar'n	1.55
27	1154762	Mould, bezel, green	1.55
27	1154763	Mould, bezel, blue	1.55
27	1154764	Mould, bezel, beige	1.55
27	1154765	Mould, bezel, neu- tral	1.55
28	1158478	Panel, assy.	15.50
29	1163527	Speed., C38, C39, ratio 4.1-4.3	17.25
29	1233825	Speed., C39, ratio 3.36-3.91	17.25
30	1163537	Gauge, oil glass	2.45
30	1232794	Gauge, oil, plastic	2.45
31	1163534	Ammeter, glass	2.65
31	1232795	Ammeter, plastic	2.65
32	1163535	Temp. gauge, glass	2.75
32	1232796	Temp. gauge, plastic	5.10
33	1163536	Gas. gauge, glass	2.45
33	1232793	Gas. gauge, plastic	4.05

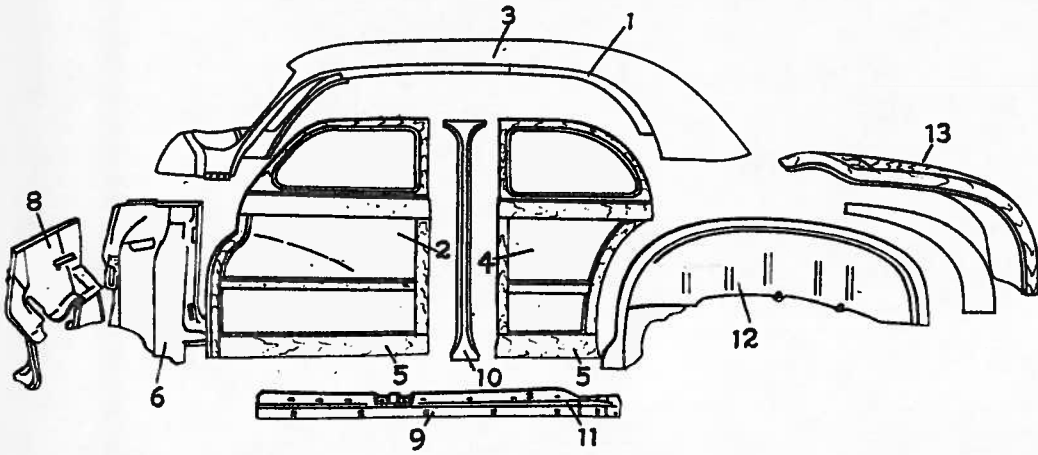
### FRAME ASSEMBLY

Item	Part No.	Description	Price
1	952870	Frame less F. D., ex cv. cp.	80.50
1	952940	Frame less F. D., cv. cp.	132.25
1	952390	Frame, ex. ov. cp.	103.50
1	954526	Frame, cv. cp.	166.75
1	953090	Frame, F. D. ex. cv. cp.	86.25
1	954728	Frame, F. D. cv. cp.	132.25
2	959946	Crossmember, F.	17.25
3	856177	Support, L.	.75
4	864372	Bracket #1, L.	.60
4	952948	Bracket, #2, ex. cv. cp., L.	2.00
4	958075	Bracket, #3, 4D, L.	1.00
5	954719	Bracket, cv. cp., L.	.70
6	864322	Hanger, L. front.	1.40
7	865599	Bracket, L., ex. cv. cp.	.35
7	867712	Bracket, L., cv. cp.	.60
8	862899	Hanger, L. rear, C38, 9	1.00
8	864682	Hanger, L. rear, C40	1.95
9	862705	Crossmember, rear.	4.05
10	864337	Crossmember, inter.	5.50

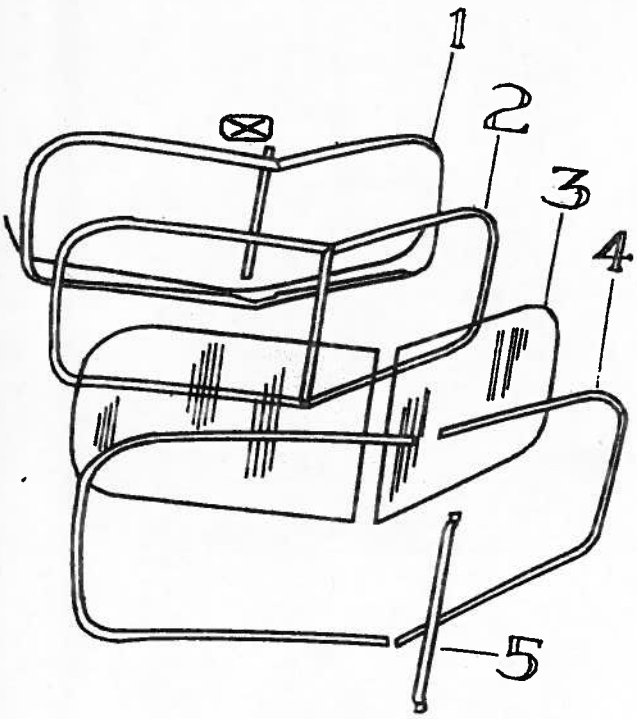


# BODY PARTS 1946 to 1948 CHRYSLER

## Series C38, C39. TOWN AND COUNTRY BODIES

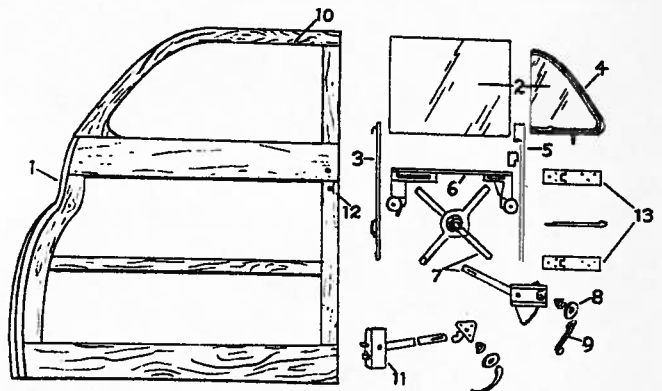


CAR BODY (6 Pass.)		
Item Part No.	Description	Price
1	1165500—Trough	1.15
2	1234284—Door, front, L.	250.00
3	1156889—Panel, roof	139.50
4	1234268—Door, rear, L.	52.50
4	1239028—Door, rear, L., Di-Noc	52.50
5	1238740—Panel, low., L., F.	9.75
5	1238744—Panel, low., L., rear	9.75
6	1156988—Panel, side	22.50
8	1155838—Panel, dash, L.	9.20
9	1160559—Sill, side, L.	45.00
10	1160580—Pillar, center	26.50
11	1151848—Mould., body sill, C39	10.05
11	1151842—Mould., sill, C38	8.65
QUARTER PANEL ASSEMBLY		
12	1234290—Panel, L.	250.00
12	1239030—Panel, L. (Di-Noc)	219.75
13	1234287—Lid assy.	225.00



### WINDSHIELD

Item Part No.	Description	Price	Item Part No.	Description	Price
1	892197—Mould., 6 pass.	3.50	3	892869—Glass, cv. cp.	P.O.A.
1	893607—Mould., cv. cp.	2.90	4	892381—Mould., L., 6 pass.	1.00
2	946017—Wthstp., 6 pass.	6.75	4	892906—Mould., L., cv. cp.	1.55
2	893401—Wthstp., cv. cp.	6.50	5	893059—Bar, div., ex. cv. cp.	1.50
3	892189—Glass, ex. cv. cp.	P.O.A.	5	893407—Bar, div., cv. cp.	1.65

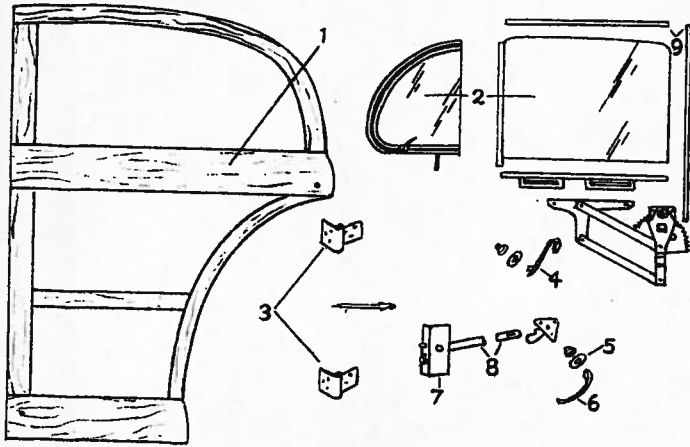


### FRONT DOOR

Item Part No.	Description	Price	Item Part No.	Description	Price
1	1234284—Door, L., 6 pass.	270.00	8	1156240—Escutcheon, cv. cp.	.75
1	1239026—Door, L., 6 pass. (Di-Noc)	270.00	8	942633—Escutcheon, 6 pass., early	1.05
1	1234278—Door, L., cv. cp. (veneer)	270.00	8	1234674—Escutcheon, 6 pass., late	1.05
1	1239010—Door, L., cv. cp. (Di-Noc)	270.00	9	893669—Handle, vent., L., 6 pass.	.60
2	1158254—Glass, 6 pass.	P.O.A.	9	895030—Handle, vent., L., cv. cp.	.70
2	894327—Glass, cv. cp.	P.O.A.	9	1157583—Handle, out., 6 pass.	2.50
2	892435—Glass vent., L., 6 pass.	P.O.A.	9	1155233—Handle, out., cv. cp.	2.50
2	894939—Glass vent., L., cv. cp.	P.O.A.	9	801268—Handle, R., control	1.30
3	893059—Bar, div. ex. cv. cp.	1.50	10	1160601—Mould., 6 pass.	16.25
3	893407—Bar, div. cv. cp.	1.65	10	1157241—Mould., cv. cp.	18.75
4	1158507—Wthstp., 6 pass., vent.	2.75	11	1157467—Lock, L., 6 pass.	9.25
4	894690—Wthstp., cv. cp. vent.	2.25	11	1137395—Lock, L., cv. cp.	9.00
4	894326—Wthstp., cv. cp., up low.	.50	12	1234464—Cyl. lock, B. P. series	1.65
4	894325—Wthstp., cv. cp., low.	.50	13	1155205—Hinge, up. L., cv. cp.	1.75
5	1154755—Chan., cv. cp., L.F.	2.30	13	1155208—Hinge, low. L., cv. cp.	1.75
5	1154756—Chan., cv. cp., L.R.	2.30	13	1156766—Hinge, up. L., 6 pass.	6.75
5	1158292—Chan., L., 6 pass.	1.55	13	1151857—Hinge, low. L., 6 pass.	1.30
6	944628—Roller	.35			
7	1157488—Regitr., L., 6 pass.	4.35			
7	1157439—Regitr., L., cv. cp.	2.40			

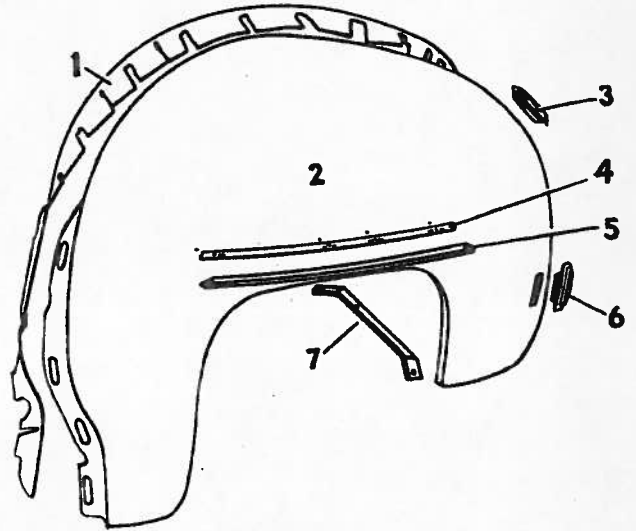
# CHRYSLER 1946 to 1948 BODY PARTS

## Series C38, C39. TOWN AND COUNTRY BODIES



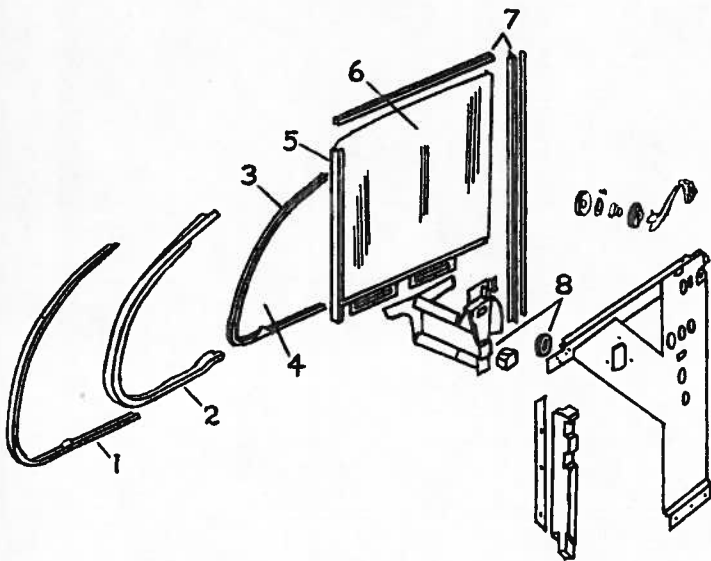
### REAR DOOR

Item Part No.	Description	Price	Item Part No.	Description	Price
1 1234286	Door, L. rear, 6 pass.	187.50	4 893669	Handle, vent., L.	.80
2 892971	Glass vent., L., 6 pass.	P.O.A.	5 942633	Escutcheon, early	1.05
2 1158045	Glass, door, 6 pass. P.O.A.	P.O.A.	5 1234874	Escutcheon, late	1.05
3 1156736	Hinge, L., up., 6 pass.	6.75	6 911925	Handle, R.C.	1.30
3 1156762	Hinge, L., low., 6 pass.	6.75	7 1158241	Lock assy., L., early	9.00
4 1157584	Handle, out.	2.75	7 1157467	Lock assy., L., late	9.25
			8 1157589	Remote, C.L.	1.35
			9 1160639	Mould., L.	15.00



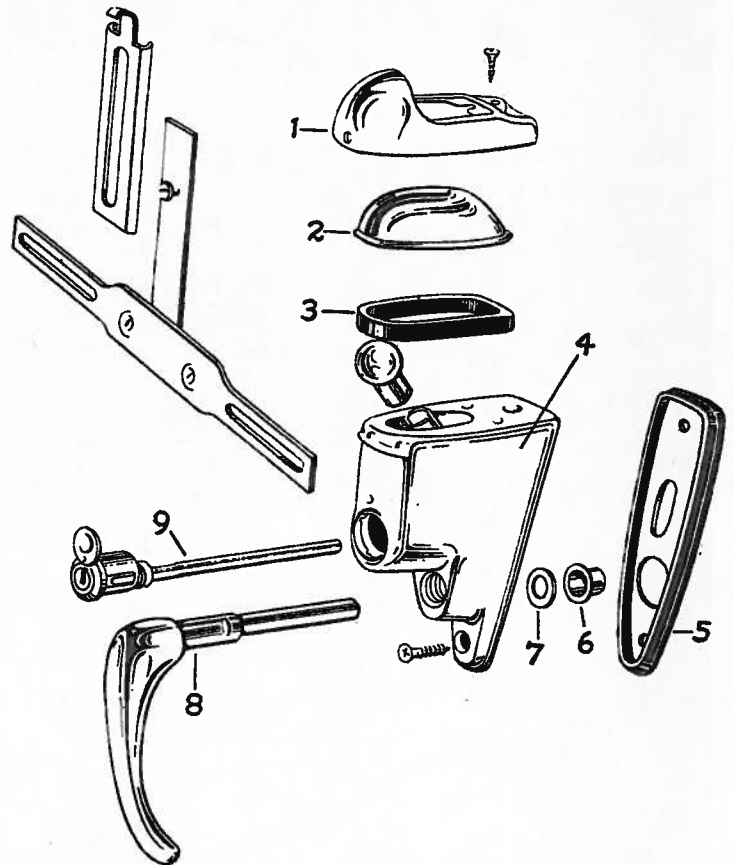
### REAR FENDER ASSEMBLY

Item Part No.	Description	Price	Item Part No.	Description	Price
1 976384	Welt	1.75	6 1121323	Cover, L., ex. 4D, C38	.60
2 1154165	Fender	15.50	6 1121323	Cover, L., ex. 6 pass.	.60
3 657625	Cover	.30	7 981106	Brace, L.	.35
4 1163276	Strip, L.	.60			
5 1153990	Mould., L.	2.70			



### WINDOW REGULATOR & RUNS

Item Part No.	Description	Price	Item Part No.	Description	Price
1 1158503	Retainer, front D.	1.40	4 892971	Glass, ex. cv.	P.O.A.
1 1158303	Retainer, rear D.	1.40	5 1158296	Bar, div.	2.85
2 1158507	Wthstp., front L., vent., 2D.	2.75	6 1158254	Glass, front door	P.O.A.
2 894690	Wthstp., L., cv. cp., vent.	2.25	6 894327	Glass, door, cv. cp.	P.O.A.
2 1158307	Wthstp., L., cv. cp., vent.	2.75	6 1158045	Glass, rear door	P.O.A.
3 892637	Frame, vent., L., cv. cp.	4.00	7 1157643	Run, upper, front D.	.55
3 892969	Frame, vent., L.	3.15	7 1157642	Run, rear, front D.	.70
4 892435	Glass, front, ex. cv., vent.	P.O.A.	7 1157644	Run, rear, front D.	.60
4 894989	Glass, cv. cp.	P.O.A.	7 1157643	Run, front, rear D.	.55
			7 1157432	Regul. cv. cp.	.65
			8 1157489	Regulator assy., L.	4.35
			8 1157489	Regulator assy., L., cv. cp.	2.40

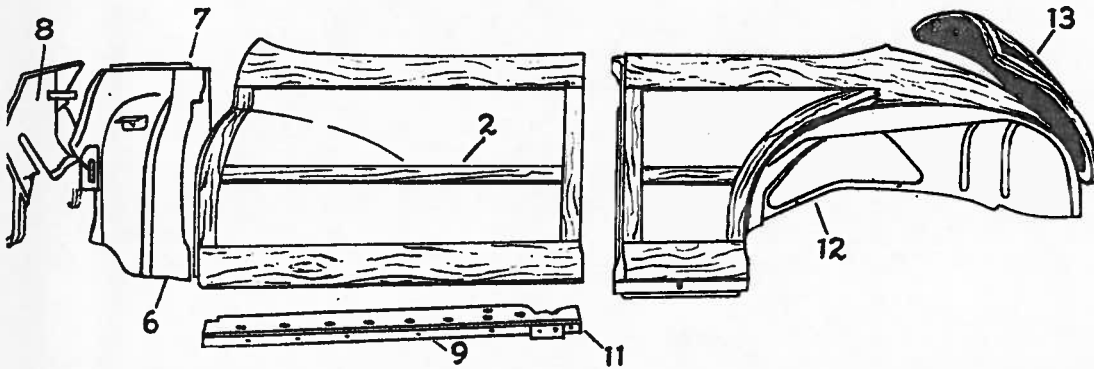


### LICENSE LAMP ASSEMBLY

Item Part No.	Description	Price	Item Part No.	Description	Price
1 1154287	Cover	1.10	6 877038	Sleeve	.06
2 974934	Lens	.30	7 905206	Washer	2.30
3 974936	Gasket	.15	8 1160006	Handle	1.60
4 1154285	Body	4.75	9 1155280	Cyl. pkg.	1.65
5 1149304	Pd	.25			

# BODY PARTS 1946 to 1948 CHRYSLER

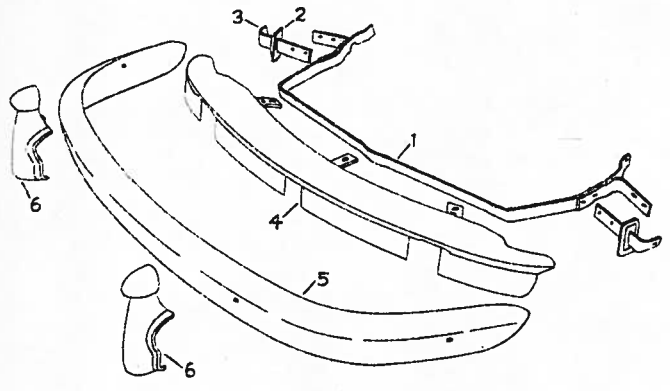
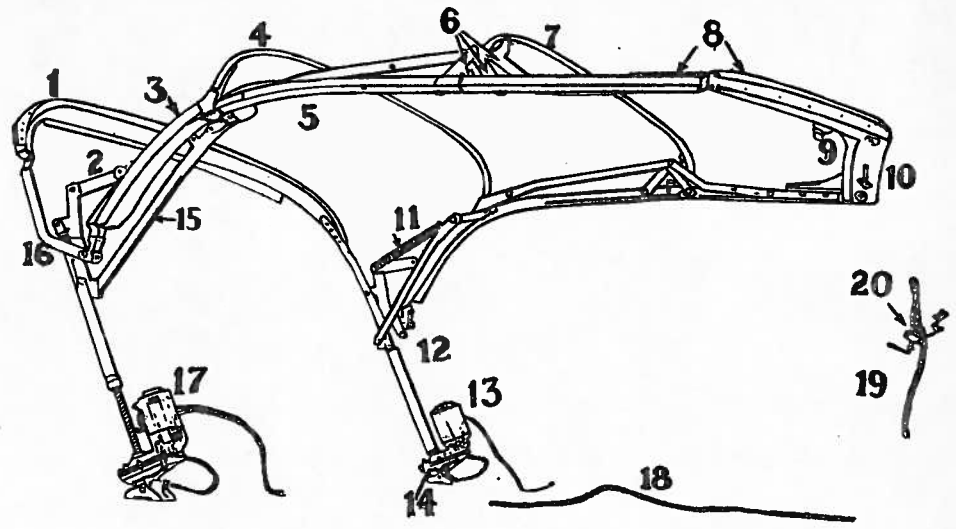
## Series C38, C39. TOWN AND COUNTRY BODIES



CAR BODY CONVERTIBLE COUPE		
Item Part No.	Description	Price
2	1234278—Door, L., veneer..	250.00
3	1166091—Top assy. ....	70.00
6	1156679—Panel, side, L. ...	30.75
7	1156640—Panel, cowl, up. ...	65.00
8	1156643—Panel, dash cv. cp.	10.45
9	1160377—Sill, L. ....	45.00
11	1151842—Mould., sill, L.,	
	C38 .....	8.65
11	1151848—Mould., sill, L.,	
	C39 .....	10.05

QUARTER PANEL ASSEMBLY		
Item Part No.	Description	Price
12	1234276—Panel, L. ....	250.00
12	1239012—Panel, L. (Di-Noe)	250.00
12	1234282—Panel, L. (veneer)	250.00
13	1234279—Lid assy., veneer.	227.50

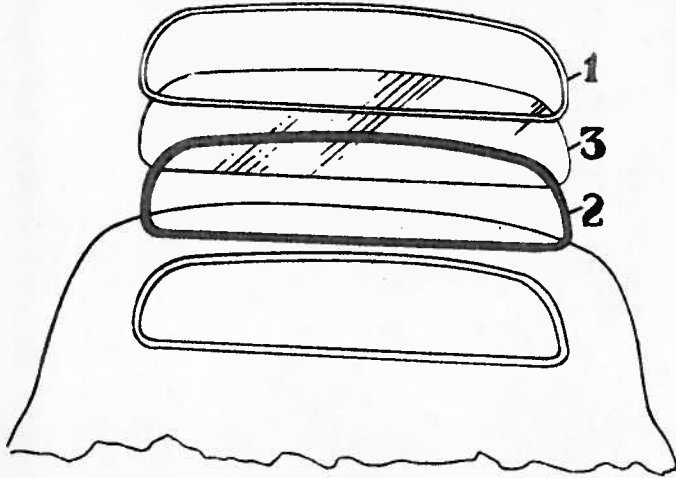
FOLDING TOP ASSEMBLY		
Item Part No.	Description	Price
1	893224—Bow, rear .....	6.90
2	945473—Link assy., L. ....	4.45
3	945337—Pillar assy., L. ....	20.00
3	945514—Bow, #2 .....	6.50
3	945539—Rail assy., L. ....	25.00
3	945387—Arm & link, L. ....	7.20
3	945334—Bow, #1 .....	4.30
3	976879—Header assy. ....	34.50
1	893805—Knob .....	1.55
1	893816—Dowel, center .....	1.30
1	893818—Dowel, L. ....	1.30
1	886644—Spring .....	1.10
1	889571—Boot .....	.60
1	934460—Seal .....	.65
1	889328—Lift assy. ....	24.50
3	977419—Arm assy., L. ....	2.60
3	893268—Arm assy., L. ....	1.55
3	1233809—Motor assy. ....	20.00
3	1157916—Wiring assy. ....	5.75
3	975397—Lever assy. ....	.85
3	911533—Switch assy. ....	2.60



REAR BUMPER ASSEMBLY					
Item Part No.	Description	Price	Item Part No.	Description	Price
1	1122115—Support, ex. cv. cp.	11.50	5	1122114—Bar, face L., ex.	
1	1122131—Support, cv. cp. ...	7.50		cv. cp. ....	19.85
2	1121323—Cover, ex. 4D, C38	.60	5	1122130—Bar, face cv. cp. ...	39.70
2	1121323—Cover, ex. 6 pass.,		6	1113457—Guard or buffer,	
	C39 .....	.60		L. ....	7.75
3	1115906—Support, L. ....	1.15	7	1122121—Plate, cv. ex. 6	
4	1232847—Deflector, cv. cp. .	5.35		pass. ....	5.25
4	1155908—Deflector, 6 pass. ...	5.35			

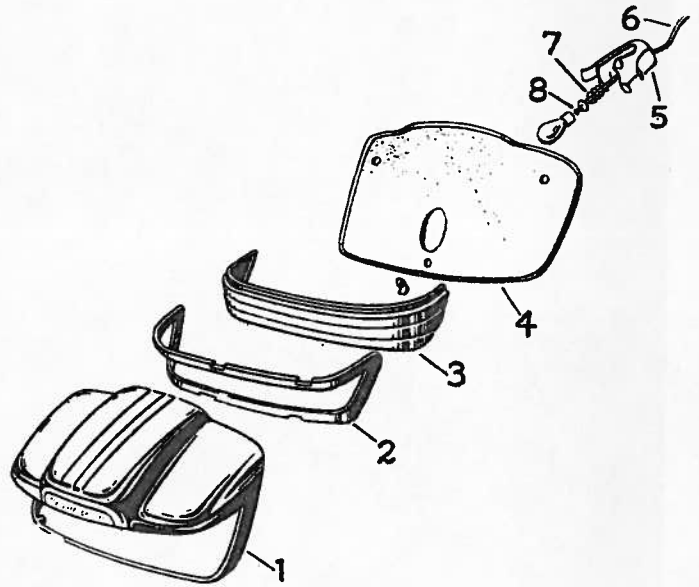
# CHRYSLER 1946 to 1948 BODY PARTS

## Series C38, C39. TOWN AND COUNTRY BODIES



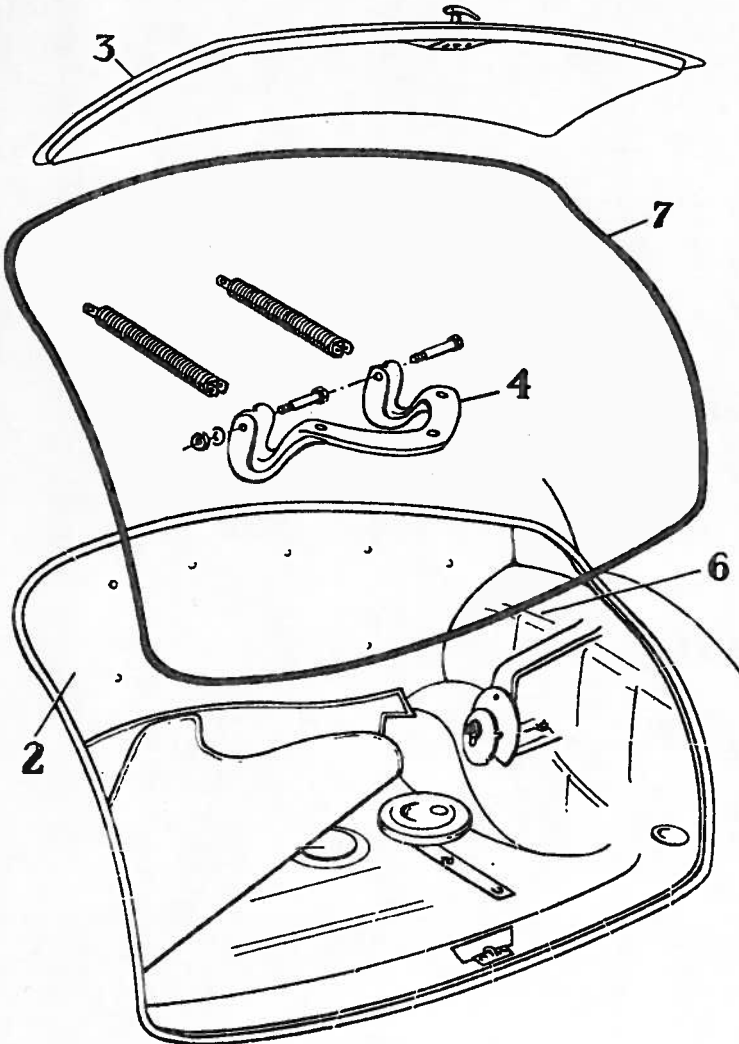
**REAR WINDOW**

Item Part No.	Description	Price	Item Part No.	Description	Price
1 744724	Glass, cv. op. ....	3.75	3 892861	Mould., 6 pass. ....	2.00
1 882195	Glass, 6 pass. .... P.O.A.		3 937831	Mould., joint, 6 pass. ....	.15
2 882548	Mould., out., 6 pass.	2.30			
2 744722	Mould., out., cv. op.	3.75			



**STOP LIGHT ASSEMBLY**

Item Part No.	Description	Price	Item Part No.	Description	P.
1 1157880	Shell	6.05	5 1232669	Socket	6.
2 1161478	Gasket	.60	6 830812	Cable	6.
3 1161412	Lens	2.15	7 44758	Spring	1.
4 908475	Pad	.80	8 657672	Contact	1.



**REAR LAMP ASSEMBLY**

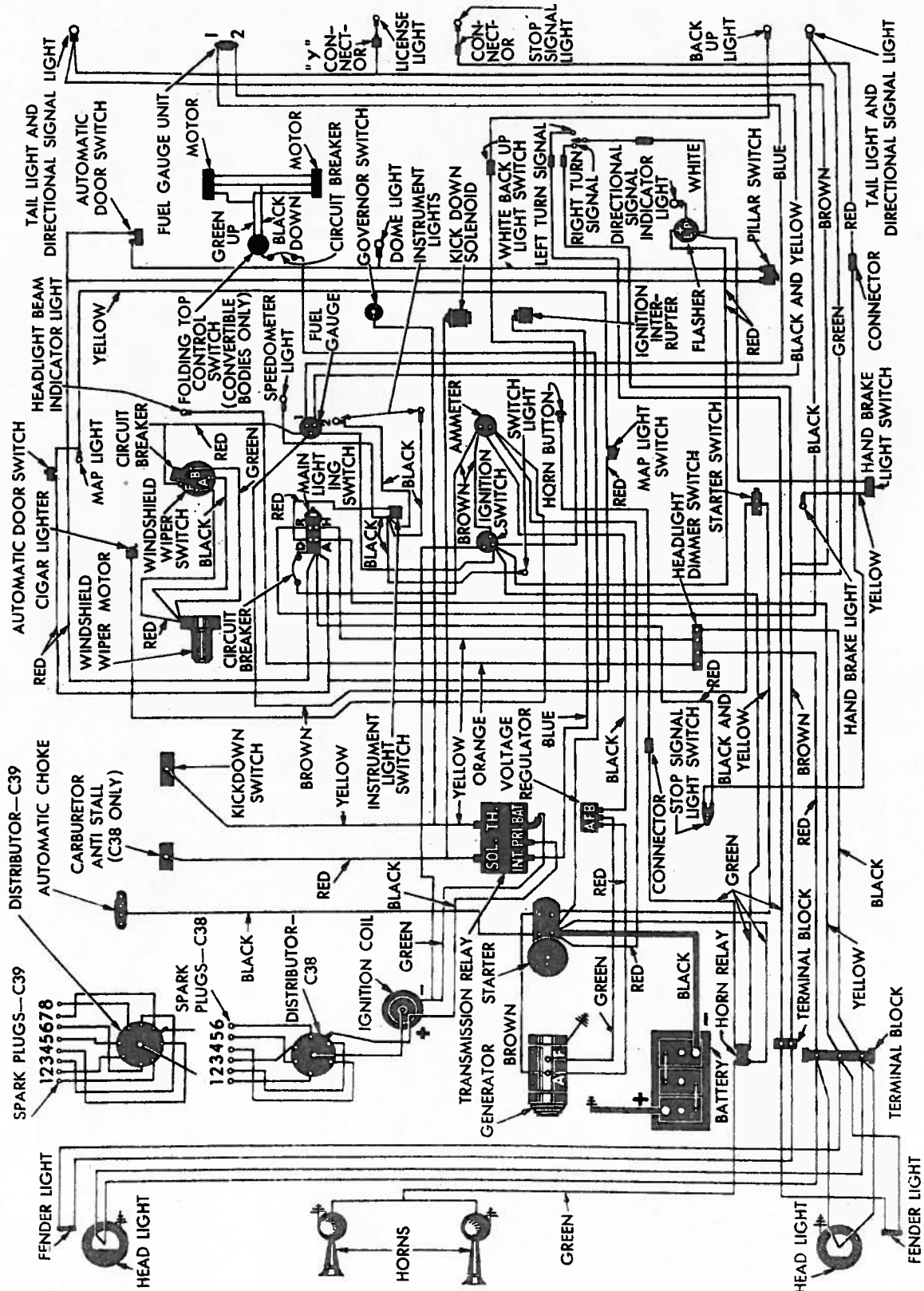
Item Part No.	Description	Price	Item Part No.	Description	P.
1 880818	Cable	9.00	7 902586	Gasket	3.
2 1163981	Socket	.60	8 1163607	Button	3.
3 44758	Spring	.08	9 902585	Lens, early	250.
4 657572	Contact	1.15	9 1235538	Lens, late	
5 1163967	Pad	.60	10 934599	Retainer	
6 1163965	Body, L.	5.05			

**DECK LIDS**

Item Part No.	Description	Price	Item Part No.	Description	P.
2 1168059	Panel, front	3.75	4 1152098	Hinge, L.	3.
3 1234279	Lid, veneer	227.50	6 1234276	Panel, L.	250.
3 1239013	Lid, DI-Noc	21.50	7 1234196	Wthstp. assy.	4.

# CHASSIS WIRING 1946 to 1948 CHRYSLER

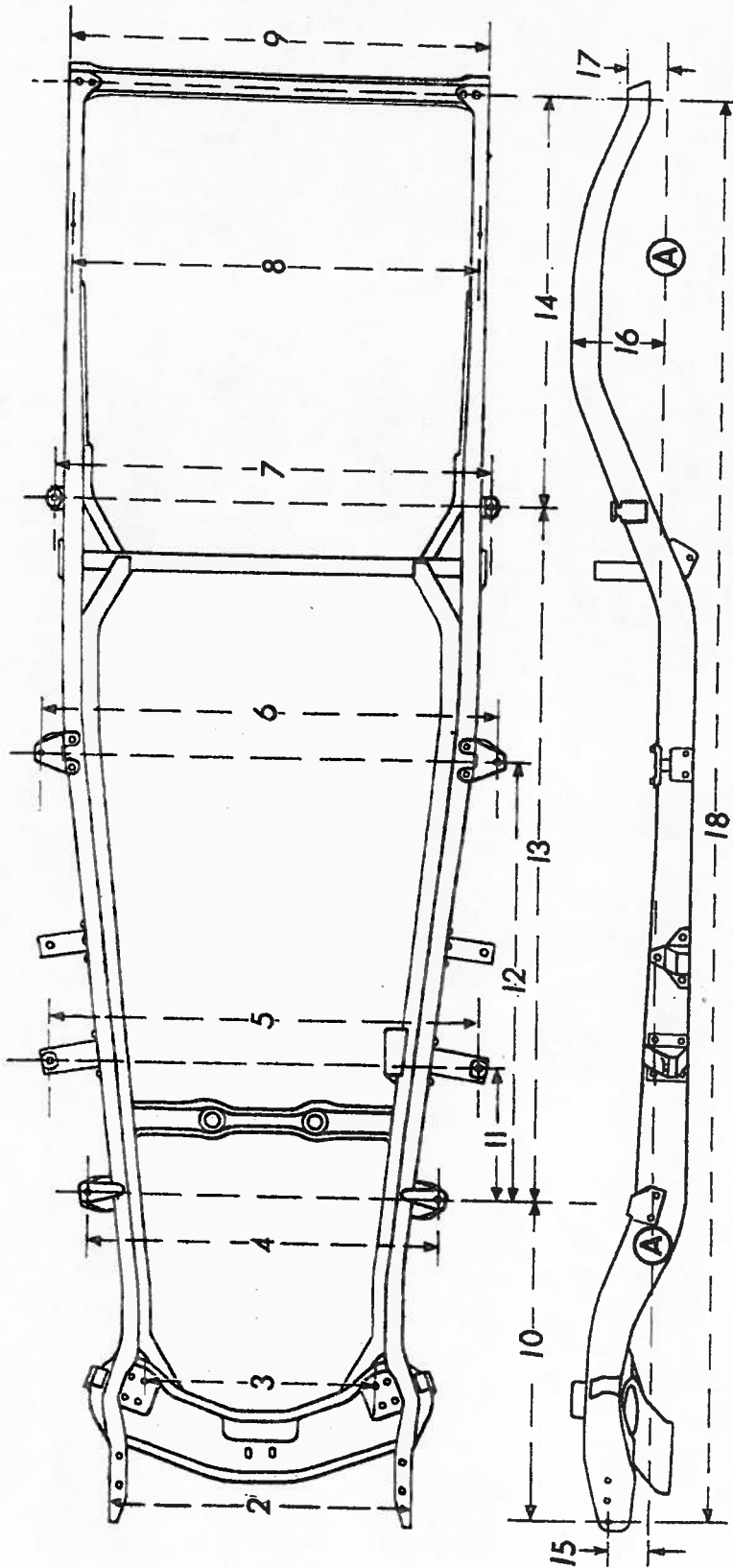
## Series C38, C39. TOWN AND COUNTRY BODIES





# CHRYSLER 1946 to 1948 FRAME

## Series C38, C39. TOWN AND COUNTRY BODIES



Frame Alignment (Dimensions given in inches)  
A—Top Line of Frame

	2	3	4	5	6	7	8	9	10	11	12	13	14	15	16	17	18
C38	34	26 5/32	40 17/32	50 3/4	52 11/16	50 1/2	46 3/4	48 1/4	40 31/32	15 29/32	51 59/64	81 29/32	48 7/8	3 55/64	10 13/16	4 7/8	17 1 3/4
C38																	
2-Door	34	26 5/32	40 17/32	50 3/4	53 7/8	50 1/2	46 3/4	48 1/4	40 31/32	15 29/32	60 31/32	81 29/32	48 7/8	3 55/64	10 13/16	4 7/8	17 1 3/4
C39	34	26 5/32	40 19/32	50 3/4	52 3/4	50 9/16	46 3/4	48 5/16	46 31/32	14	51 59/64	81 29/32	48 7/8	3 7/8	10 13/16	4 7/8	17 3/4
C39																	
2-Door	34	26 5/32	40 19/32	50 3/4	53 15/16	50 9/16	46 3/4	48 5/16	46 31/32	14	60 31/32	81 29/32	48 7/8	3 7/8	10 13/16	4 7/8	17 3/4

# FLAT RATE 1946 to 1948 CHRYSLER

## Series C38, C39. TOWN AND COUNTRY BODIES

Job No.	Chilton Labor Price	Chilton Job No.	Chilton Labor Price	Chilton Job No.	Chilton Labor Price	Chilton Job No.	Chilton Labor Price	Chilton Job No.	Chilton Labor Price	Chilton Job No.	Chilton Labor Price	Chilton Job No.	Chilton Labor Price	Chilton Job No.	Chilton Labor Price
<b>A</b>	2.00	<b>A—continued</b>	7.....1.25	<b>A—continued</b>	20.....6.00	<b>B—continued</b>	9.....	<b>C—continued</b>	4.....2.50	<b>D</b>	1.....3.00	<b>E—continued</b>	2.....22.00	<b>E—continued</b>	12.....
3.00	8.....1.00	20x.....10.00	10.....	10.....	4.....4.00	1a.....2.75	11.....	5.....4.00	5a.....2.75	3.....15.00	13.....	3.....15.00	13.....	2.....12.00	<b>F—continued</b>
4.00	9.....3.50		11.....3.00	11.....2.00	6.....4.50	2.....1.50	12.....2.50	7.....3.00	4.....2.00	4.....22.00	14.....105.00	4.....2.00	4.....2.00	14.....95.00	2.....12.00
5.50	10.....	<b>B</b>	1a.....3.75	12.....2.50	8.....4.00	3.....1.50	13.....	8.....4.00	7.....8.00	5.....8.00	15.....95.00	5.....2.50	5.....2.50	15.....80.00	3.....15.00
2.50	11.....3.00	1.....3.75	1a.....3.75	13.....1.50	9.....	4.....1.00	14.....1.50	9.....	7x.....8.00	6.....	16.....80.00	6.....1.50	6.....1.50	16.....80.00	4.....3.00
4.50	12.....3.00	2.....12.00	2.....12.00	14.....1.50	10.....4.25	10.....	15.....1.00	10.....	8.....	7.....8.00	17.....13.00	7.....1.25	7.....1.25	17.....13.00	5.....3.00
5.50	13.....1.50	3.....15.00	3.....15.00	15.....	11.....	11.....		11.....	19.....10.00	8x.....35.00	18.....12.00	8.....3.00	8.....3.00	18.....12.00	6.....
3.00	14.....	4.....2.50	4.....2.50		12.....5.00	12.....5.00		12.....	20.....5.00	9.....40.00	19.....	9.....	9.....	19.....	7.....
3.00	15......75	5.....2.50	5.....2.50	<b>C</b>	1.....6.00	13.....		13.....		9y.....40.00		10.....	10.....		8.....
8.00	16.....	6.....1.50	6.....1.50	1.....6.00	1a.....10.00	14.....1.75		14.....	<b>E</b>	10.....35.00	<b>F</b>	11.....3.00	11.....3.00	10.....35.00	9.....35.00
8.00	17.....1.25	7.....1.25	7.....1.25	1a.....10.00	2.....13.00	15.....1.25		15.....	1.....45.00	11.....37.00	1.....3.75	12.....	12.....	11.....37.00	10.....37.00
12.00	18.....8.00	8.....3.00	8.....3.00	2.....13.00	3.....20.00			16.....			1a.....5.00	13.....	13.....	12.....37.00	11.....37.00
				3.....20.00				17.....				14.....1.50	14.....1.50	13.....37.00	12.....37.00
								18.....						14.....10.00	13.....37.00

### 1946 TO 1948 MODELS FRONT SUSPENSION

**ASTER:** zero degree preferred. Limits: minus 1 degree to plus 1 degree.

**AMBER:** 1/4 degree preferred. Limits: zero degree to plus 3/4 degree.

**DE-IN:** zero to 1/16 inches.

**NG PIN INCLINATION:** 4 3/4 degree to 6 degree.

#### ALL MODELS

**AMBER:** is controlled by turning eccentric upper support bushing until correct adjustment is secured.

**ASTER:** not adjustable.

