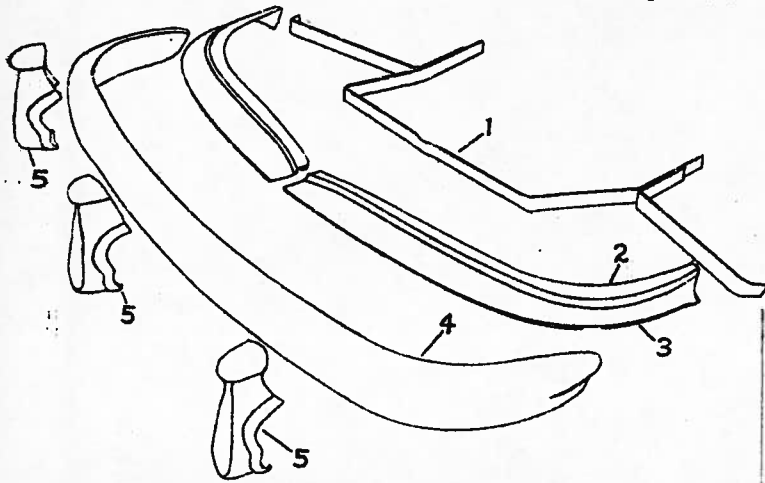


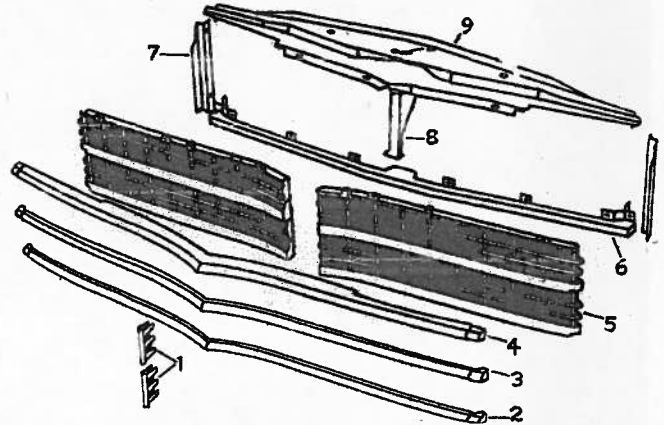
CHRYSLER 1946 to 1948 BODY PARTS

Series C38, C39. COUPE BODIES



FRONT BUMPER ASSEMBLY

Item Part No.	Description	Price	Item Part No.	Description	Price
1 1115792	Support	\$8.95	4 1115461	Bar, face	38.35
2 313073	Anti-squeak08	5 1118488	Guard L., early	7.75
3 1148291	Deflector L., white	3.95	5 1123493	Guard, late	7.75

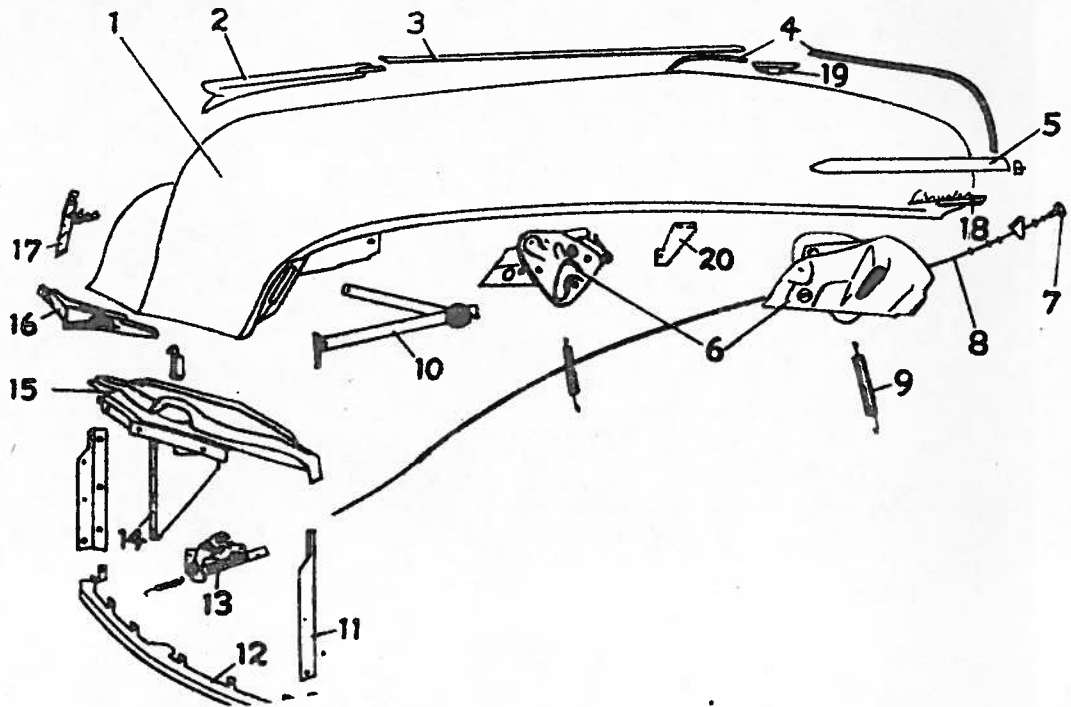


GRILLE ASSEMBLY

Item Part No.	Description	Price	Item Part No.	Description	Pr
1 1151914	Bar up, center....	.85	5 1151912	Grille, L.	19.
1 1158634	Bar, low, center...	.85	6 1149466	Bar, low, cross....	3.
2 1151917	Mold, low,	5.20	7 1154935	Brace, L.
3 1151917	Mold, center	5.75	8 1152479	Strainer	4.
4 1151915	Mold, up.	6.35	9 1149423	Support

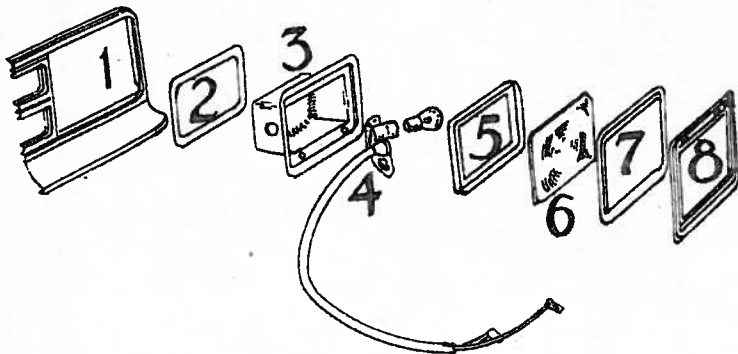
HOOD ASSEMBLY

Item Part No.	Description	Price
1 1148796	Panel, hood top, C38	43.45
1 1234453	Panel, top, C38, 39.	51.75
2 1152452	Ornament	7.90
3 973670	Mold, center, C38.	1.50
3 973671	Mold, center, C39.	1.50
4 747877	Strip08
5 1154637	Mold, side, L.	1.25
6 1148896	Knob, L.	5.45
7 1157939	Knob & wire	1.00
8 908784	Housing75
9 951020	Spring70
10 885479	Prop.	2.00
11 1154935	Brace, L.	3.15
12 1149466	Bar, low, cross	3.15
13 980713	Lock, hood	1.08
14 1152479	Strainer70
15 1149423	Support	4.05
16 1065802	Mold, front	5.20
17 974392	Plate, name, front.	3.15
18 1161130	Plate, name, Royal C38, side	1.45
18 1161131	Plate, Windsor C38, side	1.45
18 1161134	Plate, Saratoga C39, side	1.45
18 1161132	Plate, N. Y., C39, side	1.65
19 908476	Seal15
20 1153381	Bracket10



PARKING LAMP ASSEMBLY

Item Part No.	Description	Price	Item Part No.	Description	Pr
1 1161114	Frame	1.25	5 1161486	Gasket
2 1161485	Gasket06	6 1161482	Lens
3 1161484	Housing	1.25	7 1154374	Retainer
4 1161500	Cable & socket, 25"	2.40	8 1154377	Bezel	1.
4 1154357	Cable & socket, 27"	1.50			

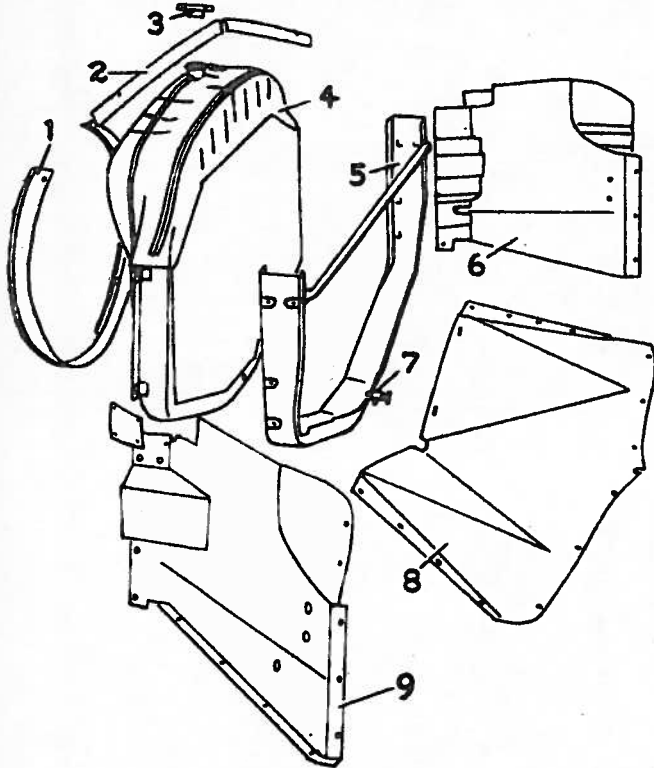
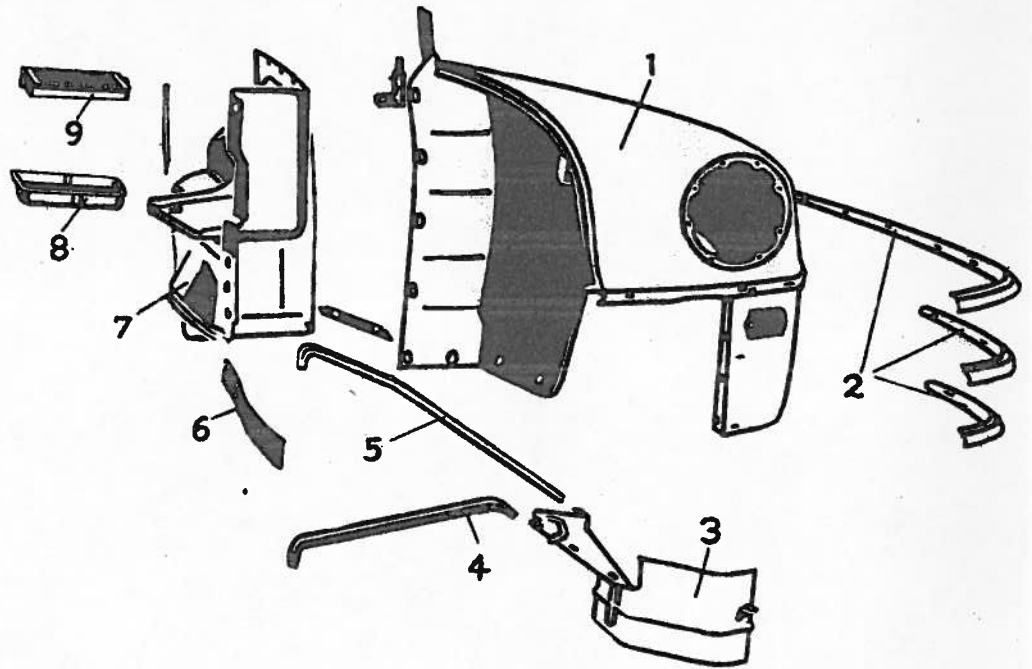


BODY PARTS 1946 to 1948 CHRYSLER

Series C38, C39. COUPE BODIES

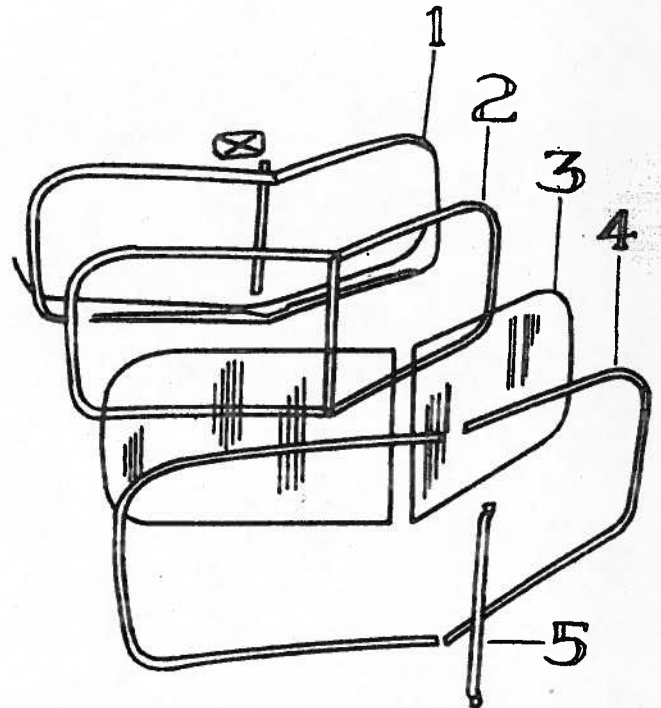
FRONT FENDER ASSEMBLY

Item Part No.	Description	Price
1 1148544	Fender front, C38, L.	37.50
1 1148404	Fender, C39	43.40
2 1151919	Mold., up, L.	5.75
2 1151921	Mold., cent, L.	3.95
2 1151923	Mold., low, L.	3.55
3 1156058	Shield, L, C38.	2.20
3 1156067	Shield, L, C39.	2.20
4 884056	Brace, L., upper.	.80
4 1163483	Brace, L. upper.	.60
5 884059	Brace, L. low.	.60
5 1236620	Brace, L. low.	.60
6 953885	Seal, C38	.30
6 953886	Seal, C39	.30
7 1121186	Shield Assy., C38.	8.95
7 1121187	Shield Assy., C39.	9.25
8 957778	Tray	.80
9 885414	Strap	.65



RADIATOR ASSEMBLY

Item Part No.	Description	Price	Item Part No.	Description	Price
1 976231	Shroud, C39, early.	2.30	5 1234791	Support, C38	6.05
1 983161	Shroud, C39, late.	2.30	5 1234793	Support, C39	7.30
2 1157309	Seal, C38	.45	6 1153973	Shield, C38, L.	3.75
2 1163770	Seal, C39	.75	6 1152446	Shield, C39, L.	3.75
3 837237	Cap, C38	.75	7 907782	Cock	.60
3 932676	Cap, C39	1.45	8 1155958	Shield C38	3.25
4 972210	Core, C38	70.45	8 1156453	Shield, C39	4.15
4 976298	Core, C39, early.	100.65	9 1152973	Shield, C38, L.	3.75
4 1155287	Core, C39, late.	100.65	9 1152445	Shield, C39	3.75

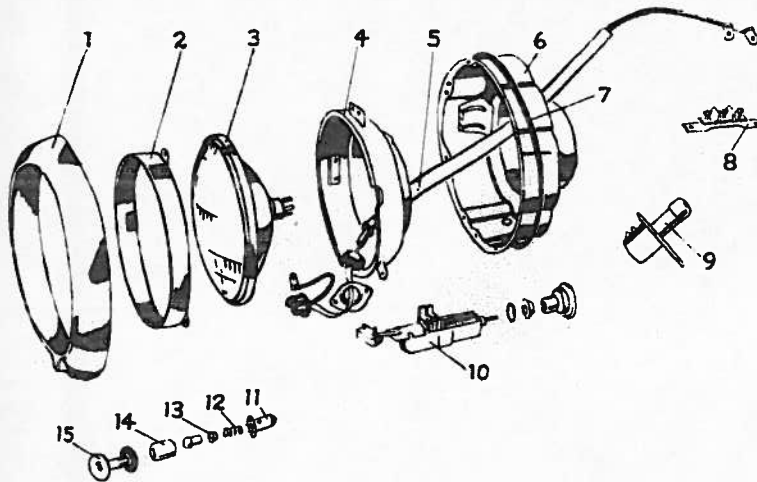


WINDSHIELD

Item Part No.	Description	Price	Item Part No.	Description	Price
1 892197	Mold., ex., Cv. cp.	3.50	3 892869	Glass, Cv. cp.	P.O.A.
1 893607	Mold., Cv. cp.	2.90	4 892381	Mold., L., ex., Cv. cp.	1.00
2 946017	Wthstp., ex., Cv. cp.	6.75	4 892906	Mold., L., Cv. cp.	1.55
2 893401	Wthstp., Cv. cp.	6.50	5 893059	Bar, div. ex., Cv. cp.	1.50
3 892189	Glass, ex., Cv. cp.	P.O.A.	5 893407	Bar, div., Cv. cp.	1.65

CHRYSLER 1946 to 1948 BODY PARTS

Series C38, C39. COUPE BODIES

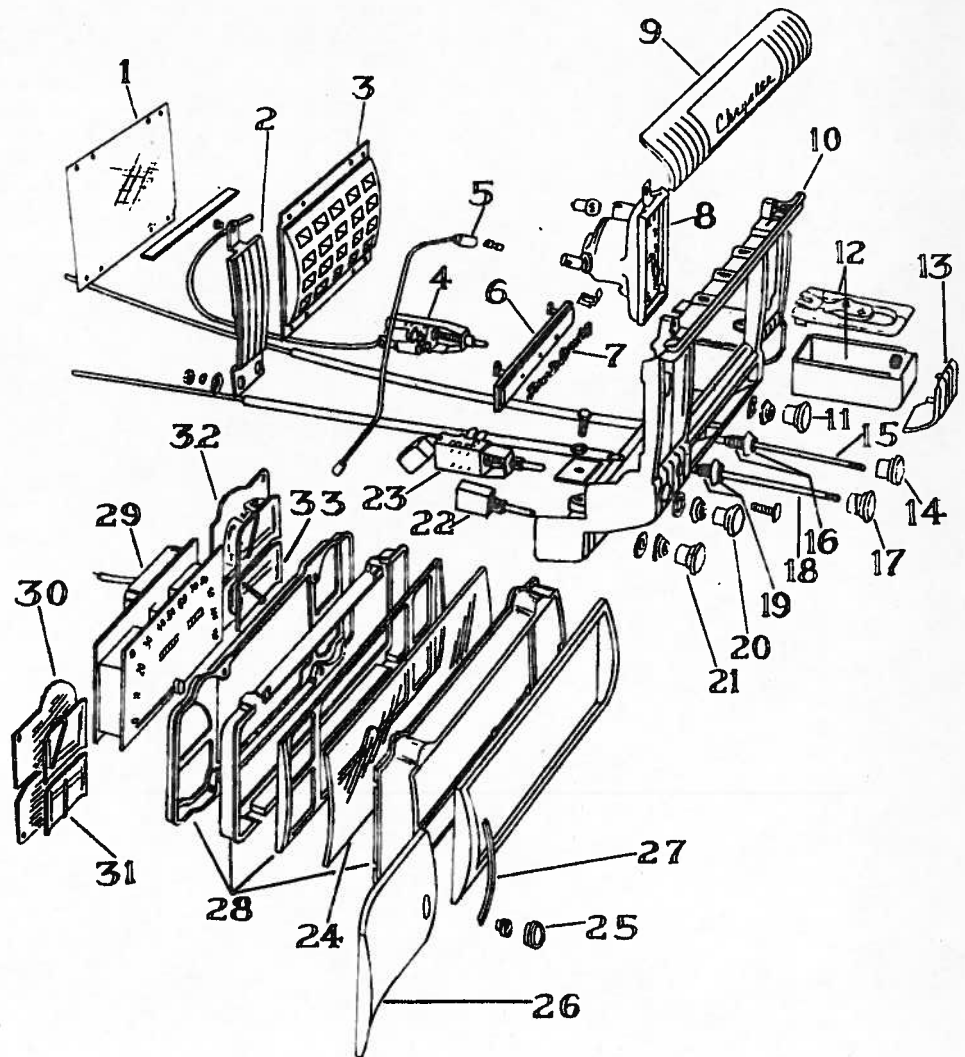


HEADLAMP ASSEMBLY

Item Part No.	Description	Price	Item Part No.	Description	Pri
1	938864—Door	1.95	5	683995—Block	1.4
2	946942—Ring, chrome	1.55	9	859974—Switch, dim.	2.4
3	946942—Ring, black	1.55	10	1163581—Switch, hdimp.	1.4
3	853569—Unit, sealed beam	1.25	11	682188—Socket	1.4
4	946940—Seat	1.55	12	385532—Spring	1.4
5	1163824—Cable & socket, 85 1/2"	2.20	13	657672—Contact	1.4
5	1149884—Cable & socket, 24"	1.55	14	1163840—Body	1.4
6	1154200—Shell	2.40	15	1149850—Jewel, Indicator, C38, 9	1.4
7	997686—Gasket	.15			

INSTRUMENT PANEL

Item Part No.	Description	Price
1	1149869—Screen	1.45
2	951894—Cover	1.45
3	1149725—Grille, maroon	1.45
3	1154757—Grille, green	1.45
3	1154758—Grille, blue	1.45
3	1154759—Grille, beige	1.45
3	1154760—Grille, neutral	1.45
4	1161570—Switch, heater	1.45
5	689857—Connector	.10
6	1149723—Mold.	.85
7	911928—Plate, Highlander	.85
7	901716—Plate, Royal	.85
7	901717—Plate, Windsor	.85
7	937823—Plate, Saratoga	.85
7	901718—Plate, N. Y.	.85
8	1163920—Clock, pkg.	17.75
9	1149608—Mold.	2.90
10	1149779—Frame	11.80
11	1163814—Knob	1.00
12	901162—Receiver	.95
13	951895—Plate, face	1.15
14	1149842—Knob	1.00
15	974811—Shaft	.70
16	908784—Housing	.75
17	1149844—Knob	1.00
18	974811—Shaft & wire	.70
19	908784—Housing	.75
20	1149845—Knob	1.00
21	1149841—Knob	1.00
22	1236684—Switch, inst.	.75
23	1163581—Switch, hdip.	2.40
24	938999—Lens, hdip.	1.15
25	903437—Switch	1.35
26	1154707—Mold., end, maroon, L.	.60
26	1154711—Mold., end, green, L.	.60
26	1154715—Mold., end, blue, L.	.60
26	1154719—Mold., end, beige, L.	.60
26	1154725—Mold., end, neutral, L.	.60
27	1154761—Mold., bezel, maroon	1.55
27	1154762—Mold., bezel, green	1.55
27	1154763—Mold., bezel, blue	1.55
27	1154764—Mold., bezel, beige	1.55
27	1154765—Mold., bezel, neutral	1.55
28	115416—Panel, inst., ex. Cv. cp.	15.50
28	1149071—Panel, inst., Cv. cp., early	15.50
28	1158496—Panel, inst., Cv. cp., late	15.50
29	1163527—Speed., C38 all, C39 ratio 4.1, 4.3	17.25
29	1233825—Speed., C39 ratio 3.55, 3.91	17.25
30	1163537—Gage, oil (glass)	2.45
30	1232784—Gage, oil (plastic)	2.45
31	1163534—Ammeter (glass)	2.65
31	1232785—Ammeter (plastic)	2.65
32	1163533—Temp. gage, glass	2.75
32	1232786—Temp. gage, plastic	5.10
33	1163536—Gas, gage	2.45

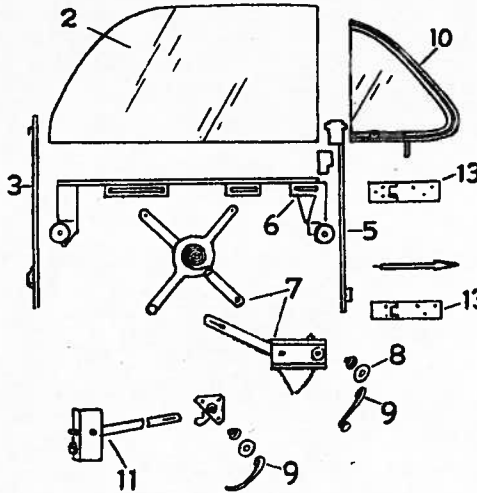
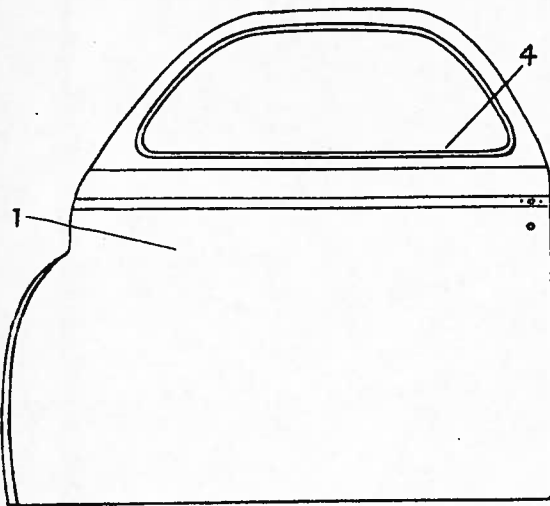
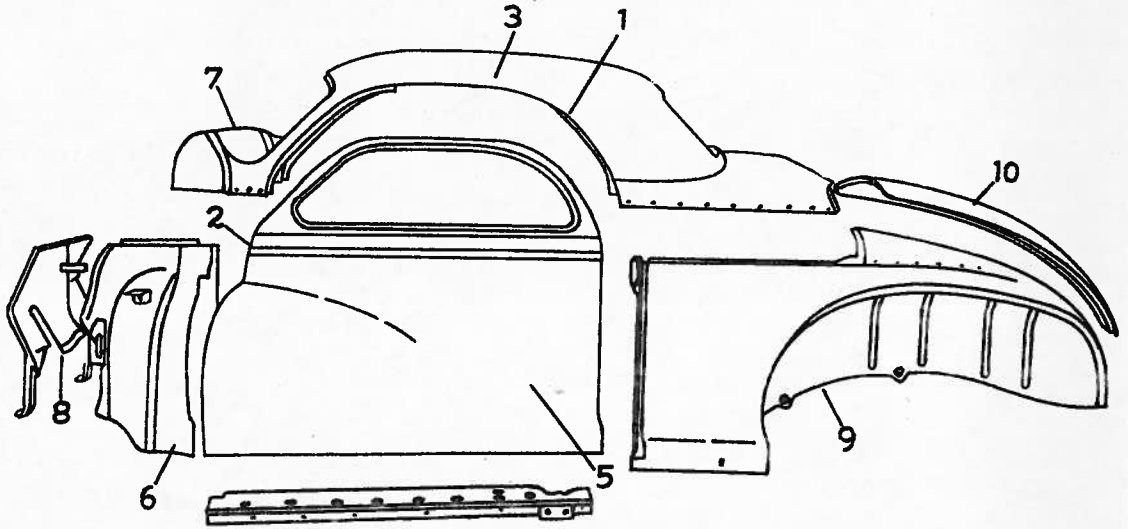


BODY PARTS 1946 to 1948 CHRYSLER

Series C38, C39. COUPE BODIES

CAR BODY

Item Part No.	Description	Price
1	901823—Trough, L., 3 cp....	.90
1	902057—Trough, L., club cp.	1.15
2	1163445—Door, L., 3 cp. C. cp.	48.90
2	1183447—Door, L., Cv. cp....	54.65
3	1181904—Panel, roof, 3 cp....	69.00
3	1151905—Panel, roof, C. cp.	65.55
5	1163499—Panel, door, rep....	10.50
6	1182665—Panel side, 3 cp. C. cp.	14.65
6	1155404—Panel, side, C cp....	28.50
7	1155460—Panel, cowl, up., Cv. cp.	22.45
8	1155838—Panel, dash, 3 cp. C. cp.	9.20
8	1155843—Panel, dash, Cv. cp.	10.35
QUARTER PANELS		
9	1161655—Panel, L., 3 cp. Cv. cp.	40.25
9	1158491—Panel, L., C. cp....	45.00
10	1154434—Lid assy.	32.80



Item Part No.	Description	Price
4	894325—Wthstp. glass, L. low, Cv. cp....	.50
5	1181818—Channel, L., 3 cp., C. cp.	1.00
5	977007—Channel, L., Cv. cp.	3.45
6	944528—Roller assy, L....	.55
6	944503—Roller assy., L., Cv. cp.	.40
7	1154027—Regulator, L., 3 cp., C. cp....	2.45
7	895782—Reg., L., Cv. cp....	2.40
8	1156240—Escutcheon, reg. & R.C.	.75
9	893689—Handle vent., L., ex. cv.	.60
9	895030—Handle vent., L., Cv. cp.	.70
9	1161333—Handle, out, 3 cp., C. cp.	2.40
9	1161335—Handle, out, Cv. cp.	2.50
9	901268—Handle, R.C.	1.30
10	1151985—Mold., L. out, 3 cp., C. cp.	1.90
10	1151989—Mold., L. out, Cv. cp.	2.05
10	907839—Mold., L., rev. ex. Cv.	3.00
11	978943—Lock, L., 3 cp. C. cp.	2.45
11	945912—Lock, L., Conv. cp.	2.60
12	982386—Cyl. lock pkg., BP series	1.65
13	1151853—Hinge, L., up. ex., Cv. cp.	1.75
13	1155205—Hinge, L. up., Cv. cp.	1.75
13	1151857—Hinge, L., low....	1.30
13	1155208—Hinge, L., low. Cv. cp.	1.75

FRONT DOOR ASSEMBLY

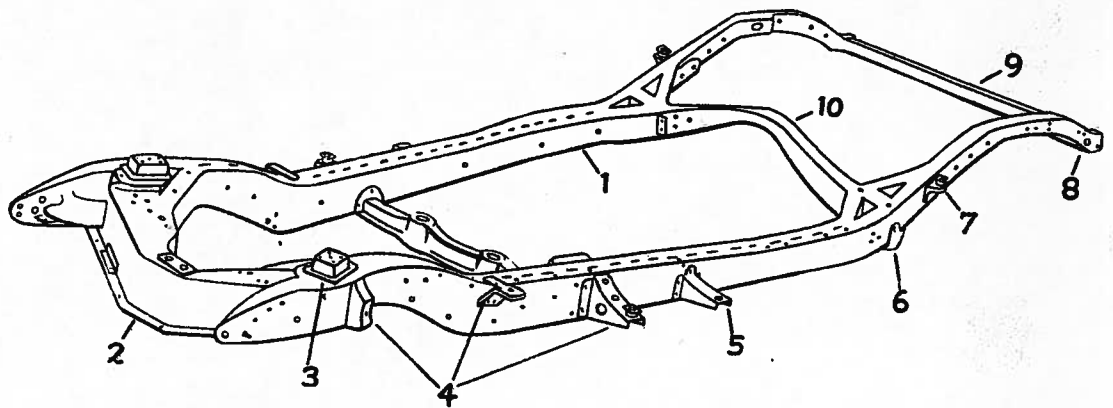
Item Part No.	Description	Price
1	1163445—Door, L., 3 cp. C. cp.	48.90
1	1183447—Door, L., Cv. cp....	54.65
2	902411—Glass, ex. Cv. cp., C 38, 9.	P.O.A.

Item Part No.	Description	Price
3	893059—Bar, L., div. ex., Cv. cp.	1.50
3	893407—Bar, L., div., Cv. cp.	1.65
4	977233—Wthstp. vent., L., 3 cp. C. cp.	1.15

Item Part No.	Description	Price
4	894680—Wthstp. vent., L., Cv. cp.	2.25
4	1156950—Wthstp. pillar, L.	.35
4	894326—Wthstp. glass, L. up., Cv. cp.	.50

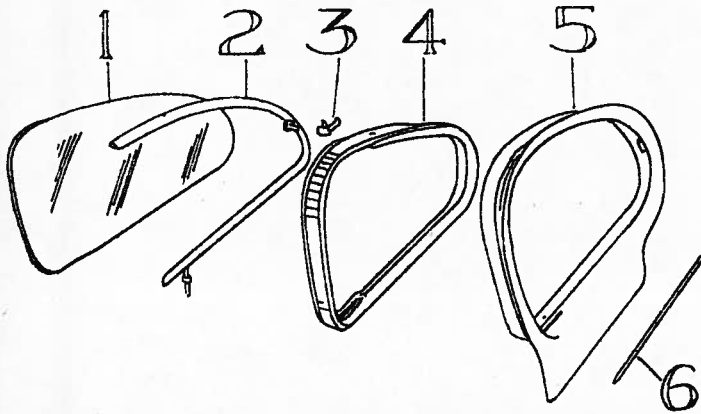
FRAME ASSEMBLY

Item Part No.	Description	Price
1	952940—Frame, less F.D., Cv. cp., C38	132.25
1	952370—Frame, less F.D., ex. Cv. cp. C38	80.50
1	952390—Frame, ex. Cv. cp. C39	105.50
1	954326—Frame, Cv. cp., C39	166.73
1	953090—Frame, F.D., ex. Cv. cp. C38	86.25
1	954728—Frame, F.D., Cv. cp. C38	132.25
2	959346—Crossmember, front	17.25
3	856177—Support, L.	.75
4	864372—Bracket #1, L.	.60
4	952948—Bracket #2, L. (ex. Cv. cp.)	2.00
5	954719—Bracket, Cv. sp., L.	.70
6	864322—Hanger, L.	1.40
7	865899—Bracket, L., ex. Cv. cp.	.35
7	867712—Bracket, L., Cv. cp.	.60
8	862899—Hanger, L.	1.00
9	862705—Crossmember, rear	4.05
10	864337—Inter. crossmember.	6.50



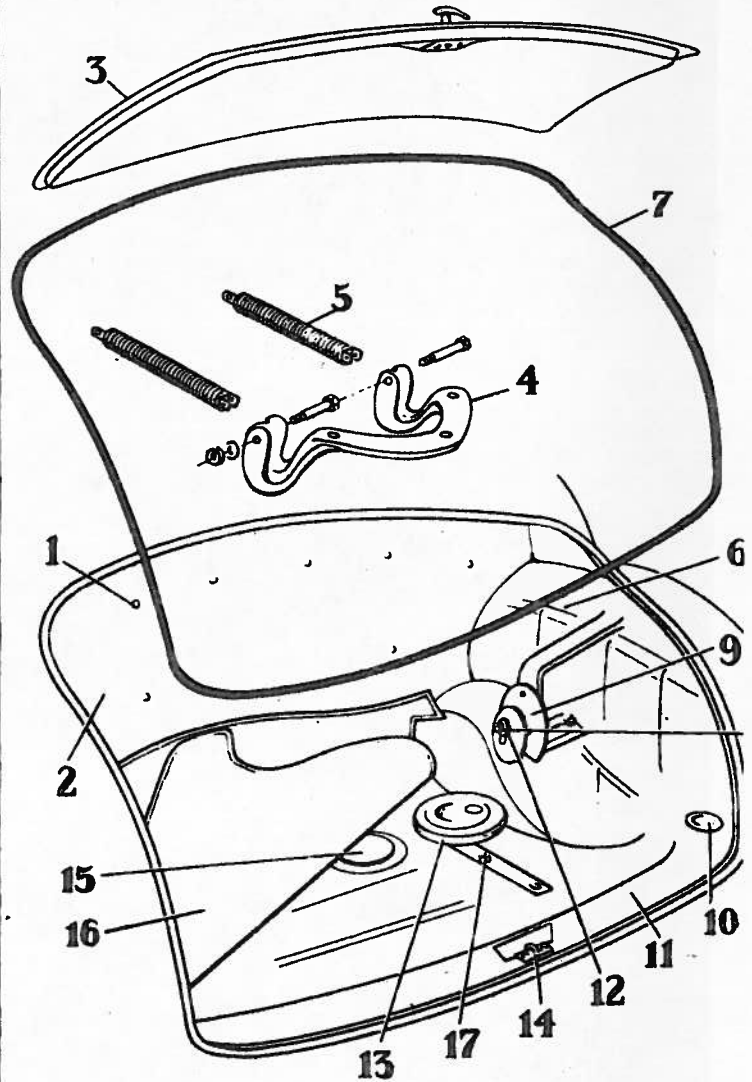
CHRYSLER 1946 to 1948 BODY PARTS

Series C38, C39. COUPE BODIES



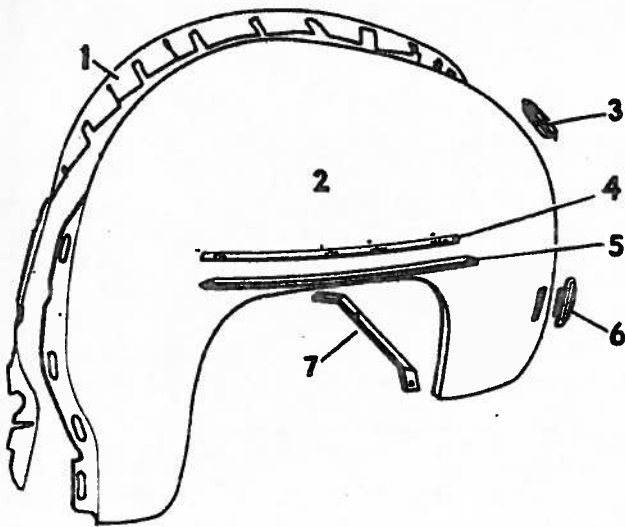
REAR QUARTER WINDOW

Item	Part No.	Description	Price	Item	Part No.	Description	Price
1	901817	Glass, C. cp., L....	P.O.A.	5	1161023	Mold., L., C. cp.	6.60
1	893385	Glass, Cv. cp., L....	P.O.A.	5	1161025	Mold., L., C. cp.	6.80
2	894324	Frame, Cv. cp., L....	15.55	5	1164857	Mold., L., Cv. cp....	8.65
4	893350	Wthstp., Cv. cp., up.		6	1154806	Ornament, C. cp.,	3.15
		L.....	.50	6	1154812	Ornament, Cv. cp.,	1.80
4	893351	Wthstp., Cv. cp.,					
		low. L.....	.30				
5	1154853	Mold., L., C. cp.	4.45				
		(white).....					



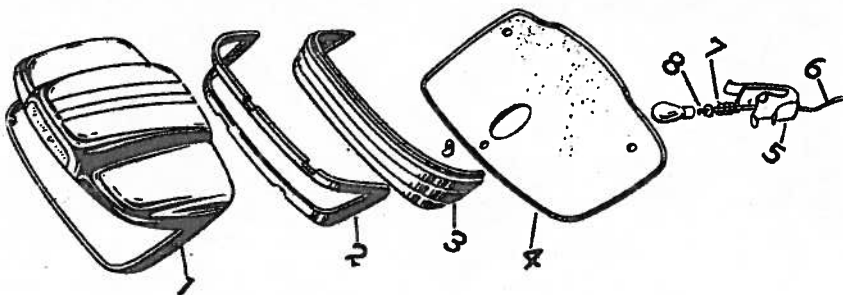
DECK LIDS

Item	Part No.	Description	Price	Item	Part No.	Description	Price
1	910752	Fastener, C. cp.....	2.30	6	1161665	Panel, L., side, Cv.	45.0
2	905485	Panel, 3 cp.....	1.25			cp.....	2.7
2	830056	Panel, C. cp.....	1.75	7	905051	Wthstp., 3 cp.....	1.9
2	935455	Panel, Cv. cp.....	.30	7	905050	Wthstp., C. cp.....	3.7
3	1154434	Lid, 3 cp.....	32.80	9	866887	Plate, 3 cp. C. cp....	.4
3	1154438	Lid, C. cp.....	32.80	9	874861	Plate, Cv. cp.....	.3
3	1154442	Lid, Cv. cp.....	33.95	9	905574	Catch.....	.1
4	903900	Hinge, 3 cp.....	1.45	10	867711	Cover.....	5.7
4	901963	Hinge, C. cp.....	1.75	11	941254	Panel, 3 cp. C. cp.	5.7
4	903882	Hinge, Cv. cp.....	2.30	11	977597	Panel, Cv. cp.....	.0
6	895139	Support, Cv. cp....	1.75	15	874820	Seal.....	8.6
6	1161655	Panel, L., side, 3	40.25	16	984907	Mat., 3 cp.....	6.7
6	1161658	Panel, L., side, C.	46.00	16	906817	Mat., C. cp.....	6.7
		cp.....		16	898272	Mat., Cv. cp.....	6.7



REAR FENDER ASSEMBLY

Item	Part No.	Description	Price	Item	Part No.	Description	Price
1	976384	Weilt.....	1.75	6	1121823	Cover.....	.60
2	1154165	Fender, C38, 9, L....	15.50	7	981110	Brace, L., 3 cp., C.	.35
3	657825	Cover.....	.30			cp.....	.35
4	1163276	Strip.....	.60	7	981106	Brace, L., conv....	.35
5	1158990	Mold., L.....	2.70				

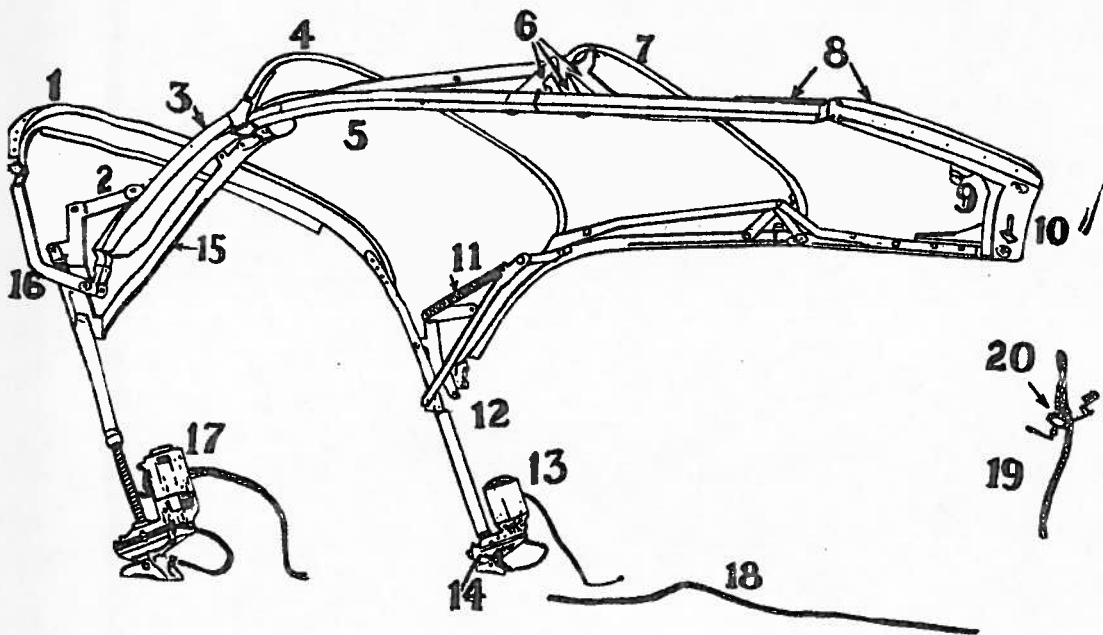


STOP LIGHT

Item	Part No.	Description	Price
1	1161411	Shell, with F.D....	6.0
1	1237145	Shell, without F.D.	6.0
2	1161478	Gasket.....	.6
3	1161412	Lens.....	2.1
4	903475	Pad, C 38, C39....	.8
5	902592	Socket.....	.4
6	830812	Cable #14.....	6.5
7	44758	Spring.....	.0
8	657572	Contact.....	1.1

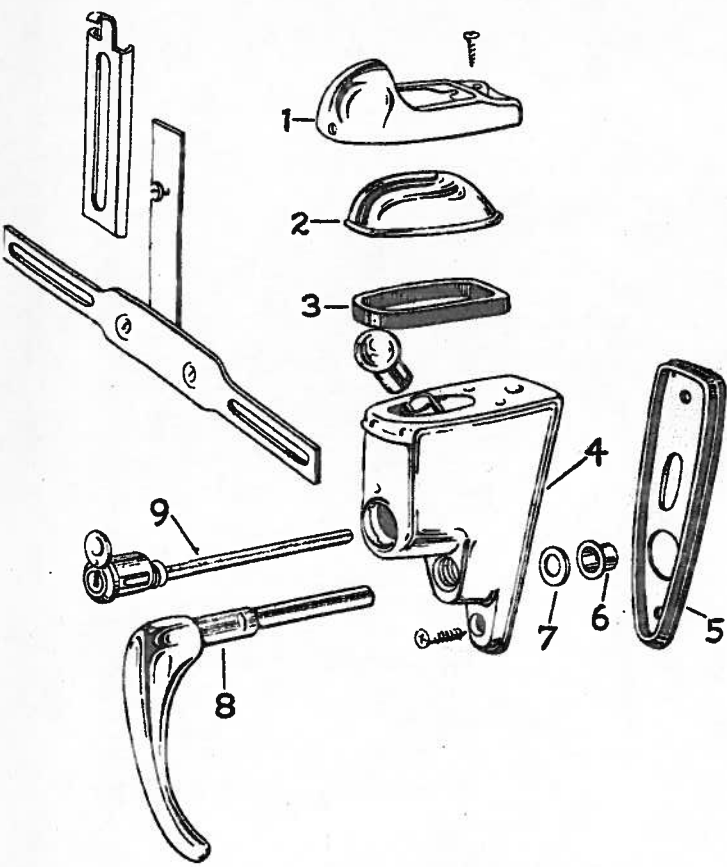
BODY PARTS 1946 to 1948 CHRYSLER

Series C38, C39. COUPE BODIES



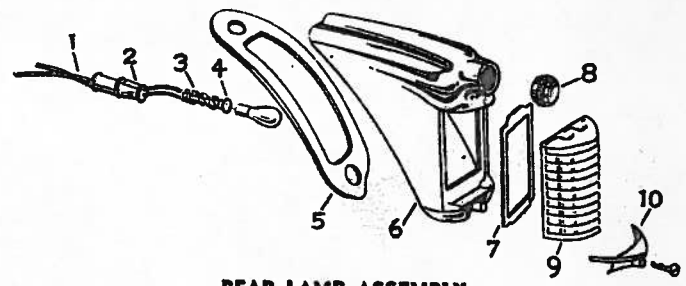
FOLDING TOP ASSEMBLY

Item Part No.	Description	Price
1 893224	Bow, rear, Cv. cp...	6.90
2 946473	Link assy., L., Cv. cp.	4.46
3 946537	Pillar assy., L., Cv. cp.	20.00
4 946514	Bow #2, center, Cv. cp.	6.50
5 946539	Rail, L., Cv. cp.	25.00
6 946387	Arm & link, L., Cv. cp.	7.20
7 946534	Bow #1 front, Cv. cp.	4.30
8 976879	Header, Cv. cp.	34.50
9 893805	Knob	1.55
10 893816	Dowel, to center	1.80
11 896644	Spring	1.30
12 869571	Boot	1.10
13 934460	Seal	.60
14 869328	Lift	24.50
15 977419	Arm assy., L.	2.60
16 893268	Arm assy., L.	1.55
17 1238809	Motor assy.	20.00
18 1157916	Wiring assy.	5.75
19 978397	Lever assy.	.85
20 911883	Switch assy.	2.60



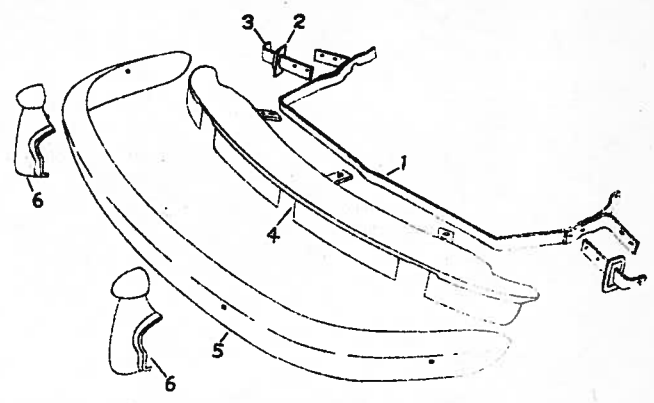
LICENSE LAMP

Item Part No.	Description	Price	Item Part No.	Description	Price
1 1164287	Cover	1.10	6 877038	Sleeve	.06
2 974934	Lens	.30	7 905206	Washer	2.30
3 974936	Gasket	.15	8 973557	Handle	1.60
4 938987	Body	4.95	9 951327	Cyl. pkg. PB ser.	1.65
5 1149304	Pad	.25	9 1156695	Cyl. pkg. CA ser.	1.65



REAR LAMP ASSEMBLY

Item Part No.	Description	Price	Item Part No.	Description	Price
1 830813	Cable, #12	9.00	6 1161560	Body, L., C38, 9	4.80
2 903502	Socket	.18	7 902586	Gasket	.10
3 44759	Spring	.06	8 1168607	Button	.30
4 637572	Contact	1.15	9 902585	Lens, early	.75
5 903852	Pad, early, C38, 9 L.	.35	9 1235539	Lens, late	.85
5 1232624	Pad, late, C38, 9, L.	.35	10 834599	Retainer	.70

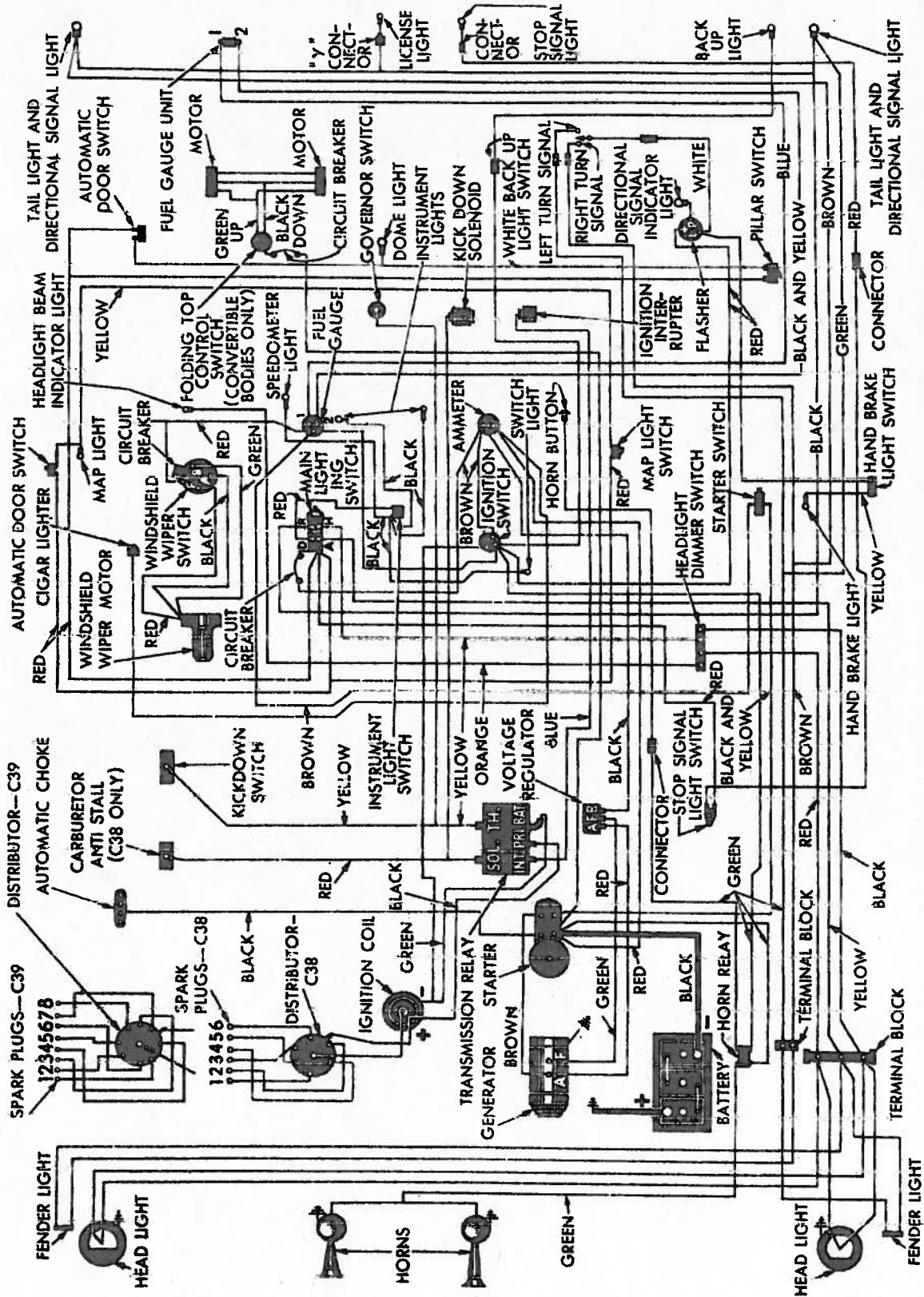


REAR BUMPER ASSEMBLY

Item Part No.	Description	Price	Item Part No.	Description	Price
1 1122115	Support, C38, 39	11.50	4 1238267	Deflector, cv. cp., late	5.35
2 1121923	Cover, C38, 9	.60	5 1115784	Bar, face	39.70
3 1115806	Support, L.	1.15	6 1115457	Plate, buffer, L.	7.75
4 1238271	Deflector, 3 cp. C. cp.	5.35	6 1115181	Plate, buffer, cent.	7.75
4 1161167	Deflector, conv. cp., early	5.35			

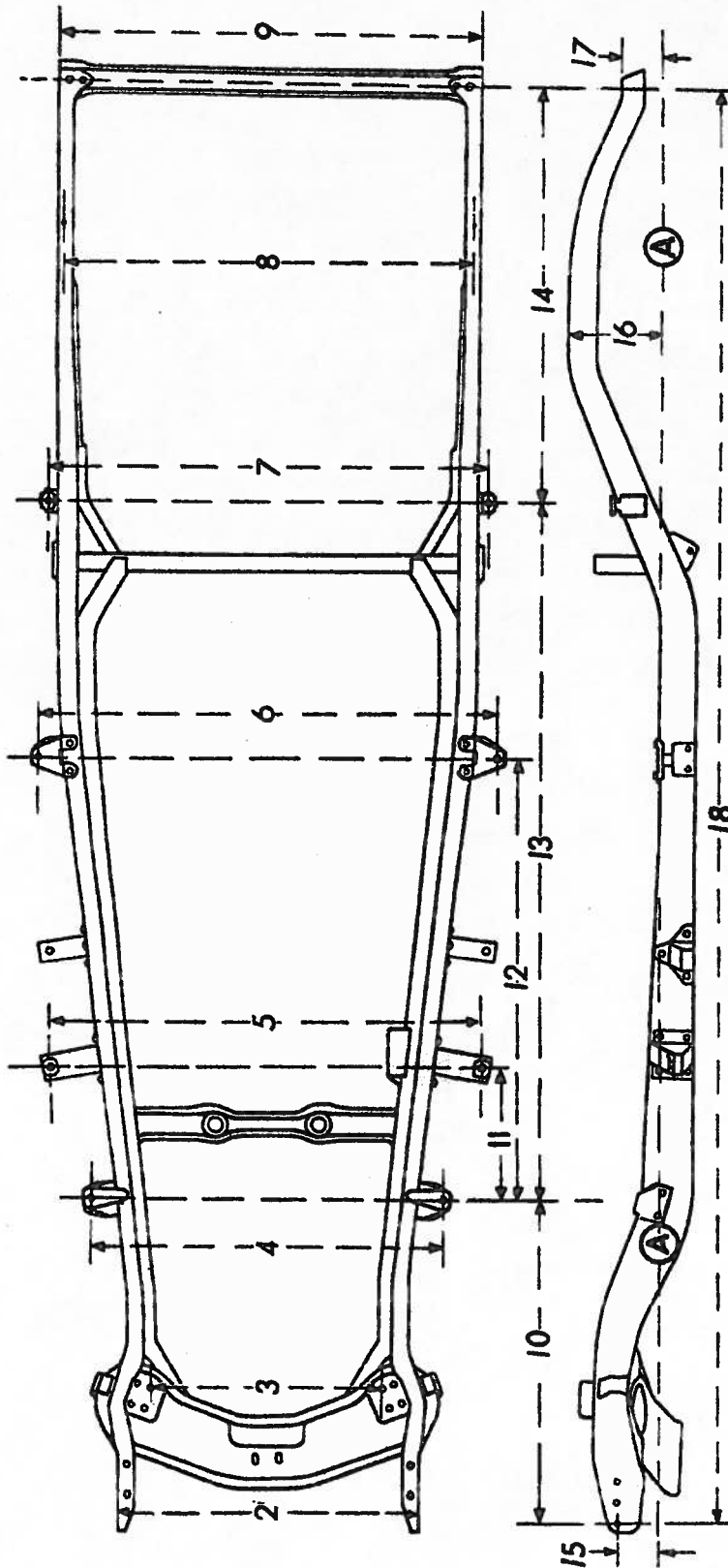
CHRYSLER 1946 to 1948 CHASSIS WIRING

Series C38, C39. COUPE BODIES



FRAME 1946 to 1948 CHRYSLER

Series C38. COUPE BODIES

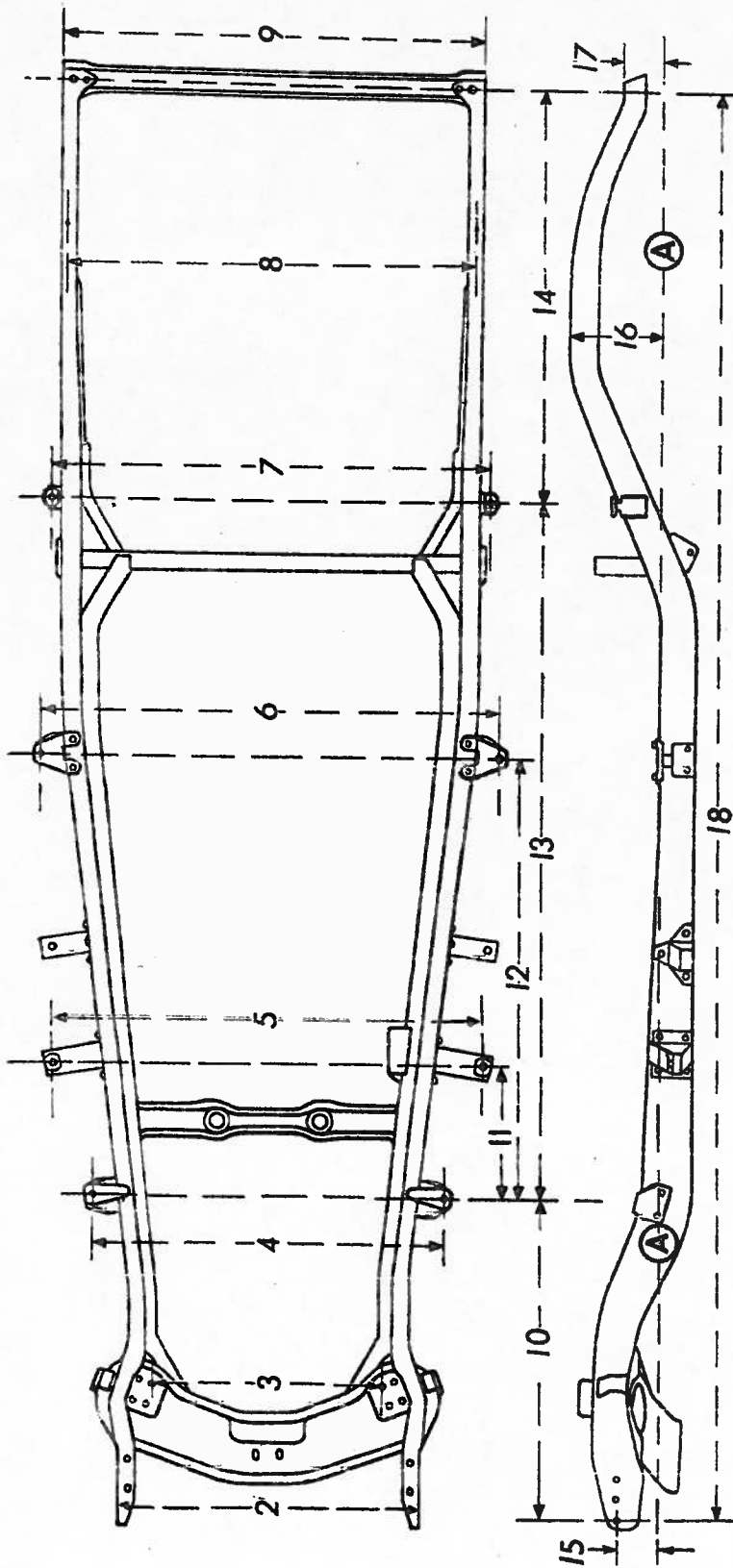


Frame Alignment (Dimensions given in inches)
A—Top Line of Frame

C38 34	2	3	4	5	6	7	8	9	10	11	12	13	14	15	16	17	18
	26 5/32	40 17/82	50 7/8	50 11/16	50 1/2	46 3/4	48 1/4	40 31/32	15 29/32	51 59/64	81 20/32	48 7/8	3 55/64	10 13/16	4 7/8	17 18/4	171 8/4

CHRYSLER 1946 to 1948 FRAME

Series C39. COUPE BODIES



Frame Alignment (Dimensions given in inches)
A—Top Line of Frame

2	3	4	5	6	7	8	9	10	11	12	13	14	15	16	17	18		
C39	34 1/16	26 5/32	40 19/32	50 3/4	52 3/4	50 9/16	46 3/4	58 5/16	46 31/32	14	5 1/2	59/64	81 29/32	48 7/8	37/8	10 13/16	47/8	177 8/4

FLAT RATE 1946 to 1948 CHRYSLER

Series C38 and C39. COUPE BODIES

Chilton Job No.	Chilton Labor Price	Chilton Job No.	Chilton Labor Price	Chilton Job No.	Chilton Labor Price	Chilton Job No.	Chilton Labor Price	Chilton Job No.	Chilton Labor Price	Chilton Job No.	Chilton Labor Price	Chilton Job No.	Chilton Labor Price	Chilton Job No.	Chilton Labor Price	Chilton Job No.	Chilton Labor Price		
A		A—continued		A—continued		B—continued		C—continued		D		E—continued		E—continued		F—continued		G	
1.....	2.00	7.....	1.25	20x.....	10.00	10.....	2.00	4.....	1.....	3.00	2.....	22.00	11.....	37.00	3.....	15.00	1.....	40.00
2.....	3.00	8.....	1.00			11.....	2.00	5.....	1a.....	2.75	3.....	15.00	12.....	4.....	2.00	2.....	20.00
3.....	4.00	9.....	3.50			12.....	2.50	6.....	2.....	1.50	4.....	13.....	5.....	2.50	3.....	15.00
4.....	5.50	10.....	1.....	3.75	13.....	7.....	3.....	1.50	5.....	14.....	6.....	1.50	4.....
4a.....	11.....	3.00	1a.....	5.50	14.....	1.50	8.....	4.....	14.00	6.....	15.....	95.00	7.....	1.25	5.....
4b.....	2.50	12.....	3.00	2.....	12.00	15.....	1.00	9.....	5.....	8.00	7.....	8.00	16.....	8.....	3.00	6.....	8.00
4c.....	4.50	13.....	1.50	3.....	15.00			10.....	6x.....	8.....	17.....	9.....	7.....
5.....	8.50	14.....	4.....	2.00			11.....	7x.....	9.....	18.....	12.00	10.....	8.....	35.00
5a.....	3.00	15.....	5.....	2.50	C		12.....	8.....	10.00	10.....	19.....	11.....	3.00	9.....	35.00
5b.....	3.00	16.....	.75	6.....	1.50	1.....	13.....	9.....	5.00	11.....	20.....	12.....	10.....
5c.....	5.00	17.....	1.25	7.....	1.25	1a.....	14.....	10.....	1.....			13.....	11.....	37.00
5d.....	8.00	18.....	8.00	8.....	3.00	2.....	15.....	E		1.....	45.00	F		14.....	12.....
6.....	12.00	20.....	8.50			3.....			1.....	8y.....	40.00	1a.....	3.75	15.....	1.50	13.....
										2.....	10.....	35.00	2.....	6.00	16.....	14.....
										3.....				12.00	17.....	15.....	10.00

1946 TO 1948 MODELS FRONT SUSPENSION

- 1946-7-8 MODELS**
- CASTER: zero degree preferred. Limits: minus 1 degree to plus 1 degree.
 - CAMBER: 1/4 degree preferred. Limits: zero degree to plus 3/4 degree.
 - TOE-IN: zero to 1/16 inches.
 - KING PIN INCLINATION: 4 3/4 degree to 6 degree.
- ALL MODELS**
- CAMBER: is controlled by turning eccentric upper support bushing until correct adjustment is secured.
 - CASTER: not adjustable.

