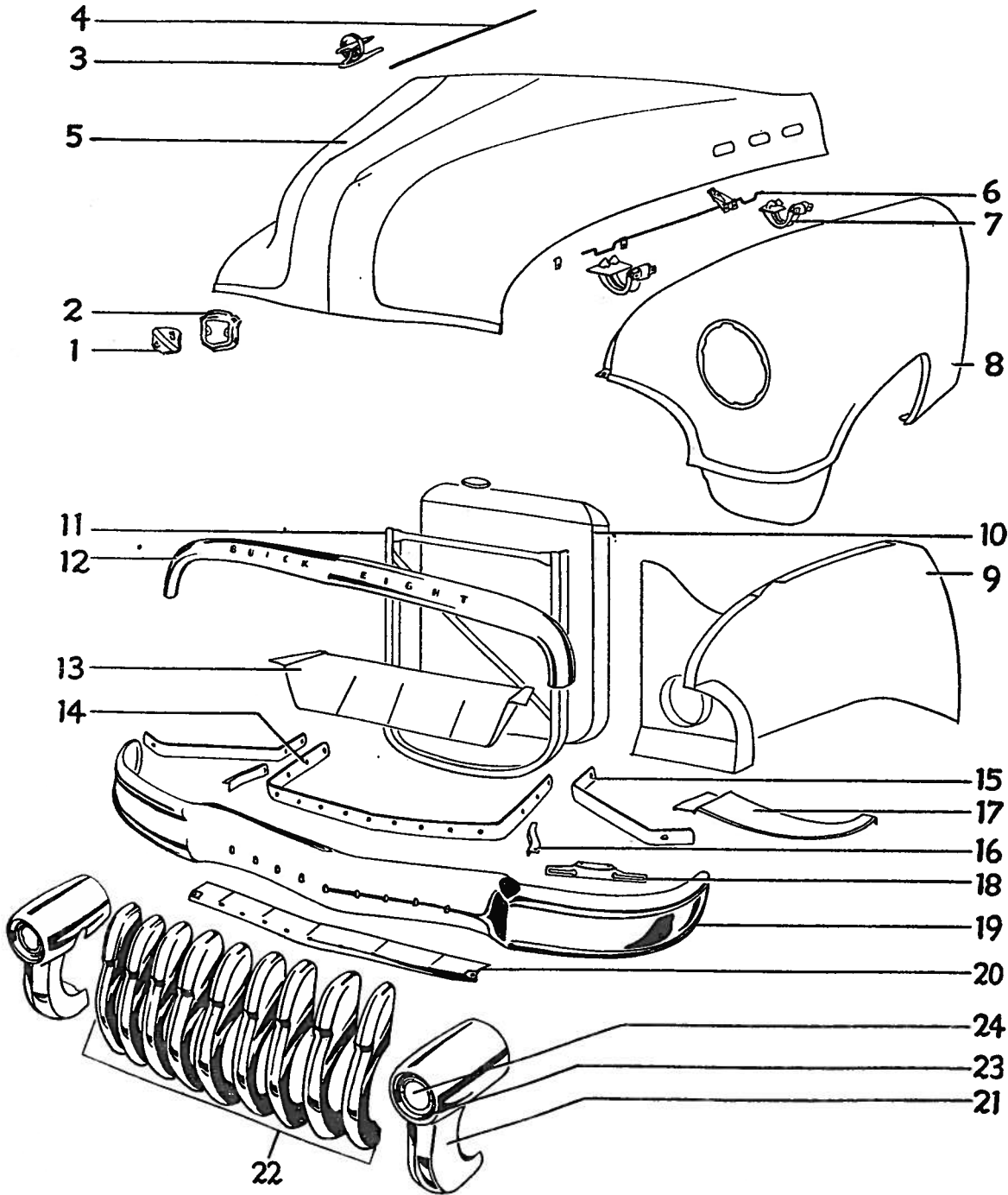


BUICK 1950 BODY PARTS

Series 40, 50 and 70. ALL BODY STYLES

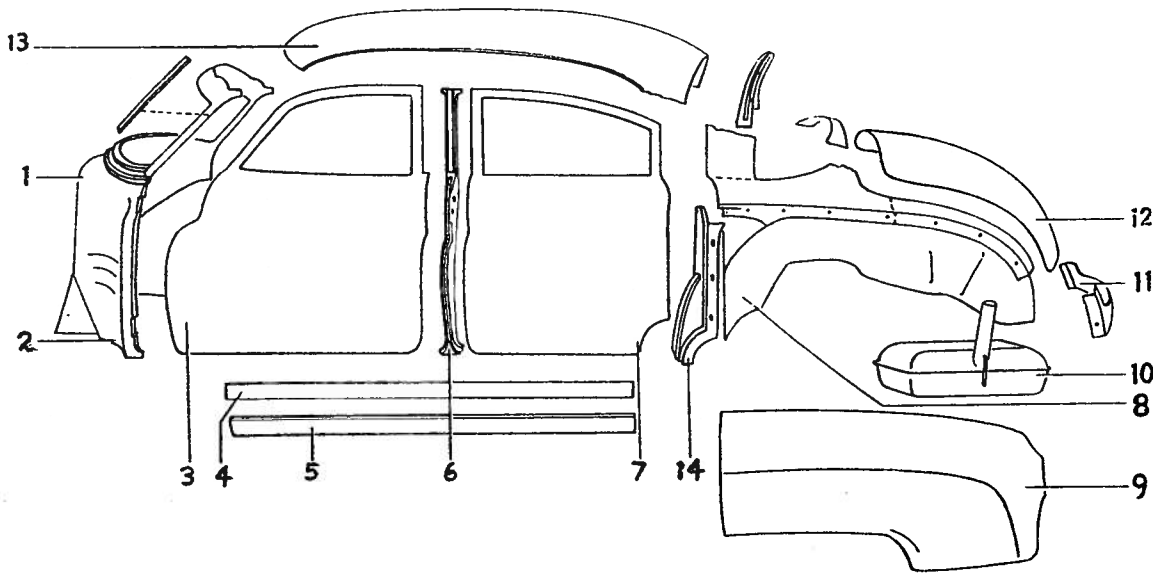


FRONT OF CAR, HOOD, GRILLE, CORE, FENDER & BUMPER
ALL MODELS

Item Part No.	Description	Price	Item Part No.	Description	Price	Item Part No.	Description	Price	Item Part No.	Description	Price
1	1339346—Emblem	1.50	7	1338985—Hinge	2.00	10	3125627—Core assy., DF.	56.25	19	1338799—Bar, face front	47.50
2	1339347—Base	1.35	8	1338919—Fender, ex., 70	45.75	ser. 50		70.75	20	1339015—Rail	3.00
3	1338878—Ornament	6.75	8	1340599—Fender, 71, 76S	47.50	10	3123757—Core assy., ser. 70	7.50	21	1339159—Guard	15.00
4	1323559—Mldg., cen., ex., 70	1.35	8	1341981—Fender, 76C, 76R	47.50	11	1339852—Strap, rad.	17.50	22	1339127—Bar, center, "7"	5.00
4	1339783—Mldg., center, 70	1.50	9	1340057—Skirt	13.00	12	1338156—Frame	2.75	22	1339129—Bar, L., "9"	6.00
5	1338258—Hood, ex., 70	62.50	10	3123755—Core assy., ex., D.F. ser., 40	52.55	13	1339203—Pan	5.75	22	1339131—Bar, L., "1"	5.00
5	1339882—Hood, ser. 70 (early)	65.00	10	3123756—Core assy., D.F. ser. 40	55.25	14	1339304—Bar, inner	2.75	22	1339133—Bar, L., "3"	5.00
6	1340241—Fastener, ex., 70 (early)	2.25	10	3125626—Core assy., ex., D.F. ser. 50	51.50	15	1339327—Bar, outer	.20	22	1339135—Bar, L., "5"	6.00
6	1340559—Fastener, 70	2.50				16	1339469—Brace	.76	23	5938907—Door	.95
						17	1339077—Shield	.65	24	5938915—Lens	.40
						18	1341274—Support, license				

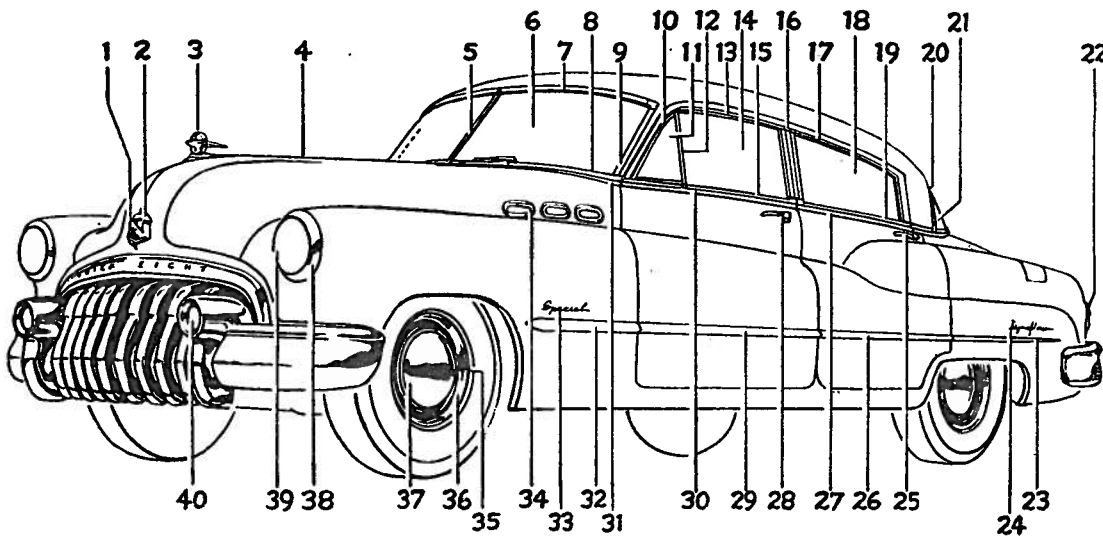
BODY PARTS 1950 BUICK

Series 40, 50 and 70. ALL BODY STYLES



BODY SHEET METAL AND FUEL TANK SERIES 40—MODELS 41, 43 4-DOOR SEDAN

Item Part No.	Description	Price	Item Part No.	Description	Price	Item Part No.	Description	Price
1	4576154—Cowl & dash assy.	150.00	6	4582349—Pillar, 41	30.50	9	1339829—Fender, 41	27.25
2	4584791—Panel, cowl side...	5.75	6	4582425—Pillar, 43	30.00	9	1339827—Fender, 43	25.50
3	4569770—Door, front, 43....	51.50	7	4573042—Door, rear, 41....	54.50	10	1341789—Tank, fuel	20.00
3	4573038—Door, front, 41....	54.50	7	4582427—Door, rear, 43....	52.50	11	4573155—Panel, rear end, 41	7.25
4	4568580—Panel, rocker, in...	5.50	8	4578347—Panel, R., qtr., 41.	45.00	11	4573153—Panel, rear end, 43	5.65
5	4573599—Panel, rocker, out.	12.50	8	4572920—Panel, R., qtr., 43.	52.50	12	4573163—Lid, rear compt., 41	35.00
						12	4572248—Lid, rear compt., 43	32.50
						13	4573066—Panel, roof, 41....	45.00
						13	4570527—Panel, roof, 43....	45.00
						14	4567339—Extension, 41	3.75
						14	4574607—Extension, 43	6.25



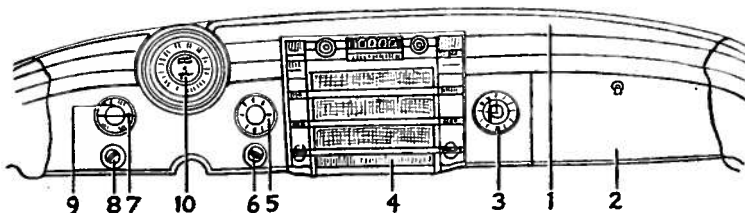
BODY MOULDINGS, WHEELS AND GLASS

SERIES 40—4 DOOR SEDANS

Item Part No.	Description	Price
1	1339346—Emblem	1.50
2	1339347—Base	1.35
3	1338878—Ornament	6.75
4	1323559—Mldg.	1.35
5	4571444—Mldg., div., 41....	1.50
5	4584471—Mldg., div., 41D...	1.15
6	4570444—Glass, wdshld.	27.50
7	4578161—Mldg., up., L....	4.00
8	4576660—Mldg., L., low.	4.35
9	4578163—Mldg., side	1.25
10	4172878—Chan., vent.	5.50
11	4569048—Glass, vent.	9.50
12	4576410—Chan., div.	3.35
13	4572757—Mldg., up.	3.00
14	4579425—Glass	14.25
15	4570549—Mldg., low.	3.75
16	4570529—Mldg., up.	.85
17	4572765—Mldg., up.	2.75
18	4579425—Glass	14.25
19	4572769—Mldg., low.	2.35
20	4573079—Mldg., up.	2.50
21	4575027—Mldg., low.	2.50
22	5939072—Door	2.35
23	1339530—Mldg.	2.50
24	1393816—Monogram	1.50
25	4579360—Handle	3.65
26	1339524—Mldg.	2.50
27	4572771—Mldg., belt	4.75
28	4579358—Handle	4.50
29	1339521—Mldg., side	3.25
30	4572763—Mldg., belt	4.50
31	4578569—Mldg., belt	2.50
32	1339527—Mldg., side	2.00
33	1393873—Monogram, special	1.25
34	1340272—Bezel	1.15
35	1340197—Wheel	15.00
36	1323462—Mldg.	2.90
37	1319967—Hub cap	2.85
38	5936855—Door	2.15
39	925000—Unit, sealed beam..	1.25
40	928070—Parking lamp assy.	4.25

INSTRUMENT PANEL ALL MODELS

Item Part No.	Description	Price
1	4570530—Panel, instrument.	27.50
2	4576480—Door	7.50
3	980821—Clock	19.00
4	1323316—Grille, ser. 40, 1st jobs	12.75
4	1341030—Grille, 50, 70, 40, 2nd jobs	10.00
5	1517040—Gas gage	3.50
5	1507210—Oil gage	2.50
6	1116452—Ign. sw., less cyl.	1.50
6	1393108—Cylinder, ign., sw..	2.25
7	1512013—Temp. gage	6.00
8	4572310—Knob, spec., on 40, 50	.75
8	4578616—Knob, 40, 50, reg..	.55
9	1501069—Ammeter	1.90
10	1580325—Speedometer	19.20



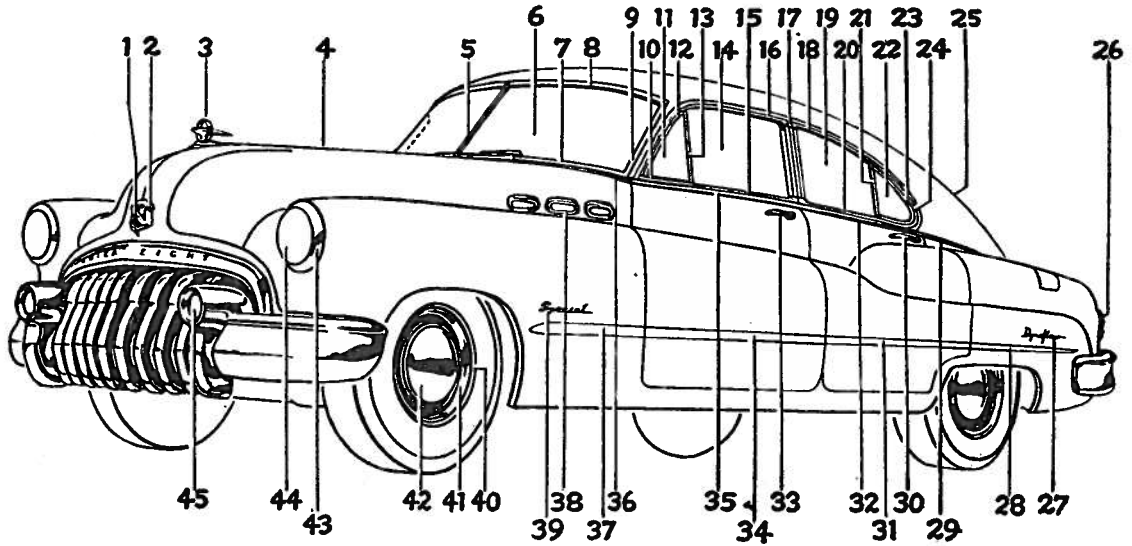
BUICK 1950 BODY PARTS

Series 40, 50 and 70. ALL BODY STYLES

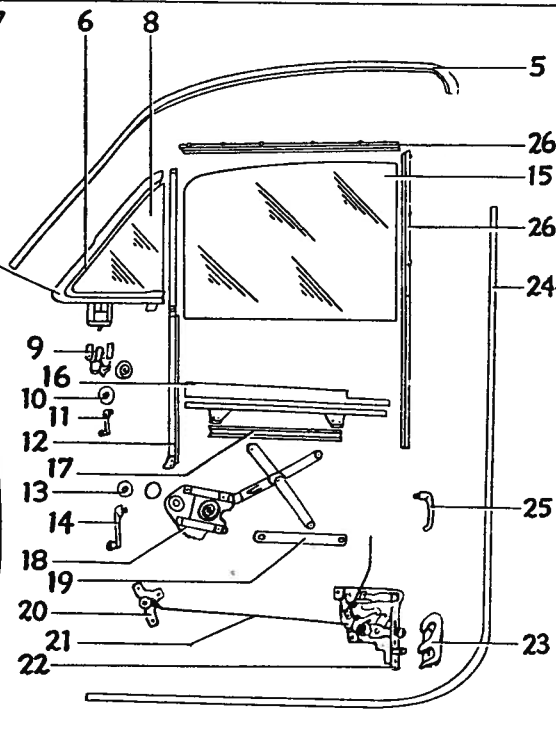
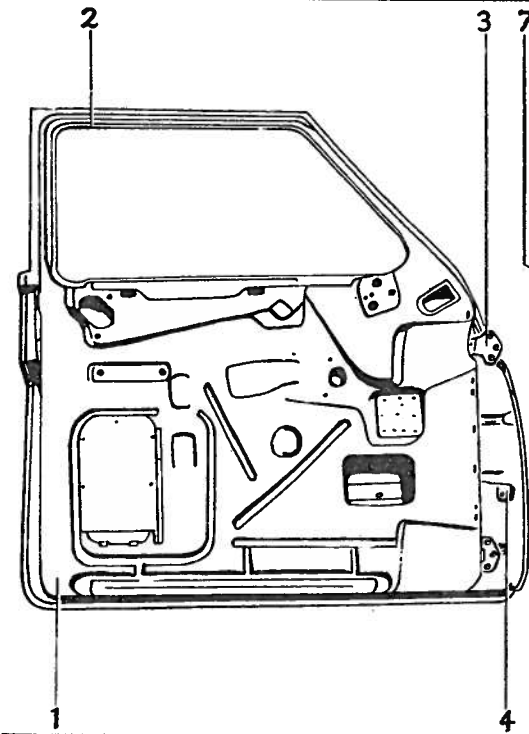
BODY MOULDINGS, WHEELS AND GLASS

Series 40, MODEL 43, 43D
4 DOOR SEDAN

Item Part No.	Description	Price
1	1339346—Emblem	1.50
2	1339347—Base	1.35
3	1338878—Ornament	6.75
4	1323559—Midg.	1.35
5	4571444—Midg.	1.50
6	4584471—Midg.	1.15
7	4570444—Glass, wdshld.	27.50
8	4576660—Midg., low.	4.35
9	4578161—Midg., up. L.	4.00
10	4172878—Chan., vent.	5.50
11	4569048—Glass, vent.	3.50
12	4571960—Vent. assy.	17.95
13	4576410—Midg.	3.35
14	4568914—Glass, door	9.25
15	4570303—Midg., low.	4.15
16	4570390—Midg., up.	3.00
17	4570529—Midg., up.	.85
18	4570396—Midg., up.	2.50
19	4568915—Glass, door	10.75
20	4570305—Midg., low.	4.00
21	4578825—Midg.	2.55
22	4578610—Glass, vent.	3.00
23	4578620—Chan., vent.	3.00
24	4572645—Escutch., R. door midg.	.50
25	4570491—Midg., up.	2.35
25	4570669—Midg., low.	2.25
25	4570313—Glass, back w/w.	25.00
26	5939072—Door	2.35
27	1393816—Monogram, D/F.	1.50
28	1339531—Molding, side	2.50
29	4570388—Molding	3.75
30	4173188—Handle	2.50



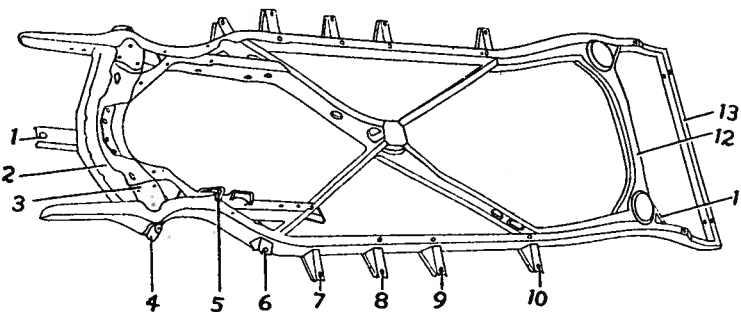
Item Part No.	Description	Price	Item Part No.	Description	Price	Item Part No.	Description	Price
31	1339524—Molding	2.50	36	4578569—Molding	2.50	41	1323462—Molding	2.9C
32	4570402—Molding	4.50	37	1339527—Molding	2.00	42	1319967—Hub cap	2.8E
33	4579358—Handle	4.50	38	1340272—Bezel	1.15	43	5936855—Door	2.15
34	1339521—Molding	3.25	39	1393873—Monogram	1.25	44	925000—Unit, sealed beam	1.2E
35	4570394—Molding	4.35	40	1340197—Wheel	15.00	45	926070—Parking light assy.	4.2E



FRONT DOOR

Item Part No.	Description	Price
1	4569768—Door, 46, 46S, 56S, 76S	47.50
1	4569770—Door, 43, 43D	45.00
1	4573038—Door, 41, 41D, 51, 71
2	4578968—Midg., garnish, 46S, 56S, 76S	5.85
2	4578980—Midg., garnish, 43, 43B	5.50
2	4578992—Moldg. garnish, 41, 51, 71
3	4570661—Hinge, up.	2.35
3	4570662—Hinge, low.	2.35
4	4569721—Link, door check	4.50
5	4580071—Weatherstrip
6	4172878—Chan., vent.	5.50
7	4571961—Vent., assy.	17.95
8	4569048—Glass, vent.	3.50
9	4574432—Reglitr., vent.	2.65
10	4132059—Escutcheon	.95
11	4115746—Handle, vent.	1.50
12	4576410—Chan., div.	3.35
13	4149907—Escutcheon	.95
14	4115747—Handle, reglitr.	1.70
15	4568914—Glass, door, 43, 43D	9.25
15	4571343—Glass, ex., 46S, 56S, 76S
15	4572222—Glass, 46S, 56S, 76S	12.00
16	4569176—Chan., low., 43, 43D	1.00
16	4571378—Chan., low., 41, 51, 71
16	4572224—Chan., low., 46S, 56S, 76S	.95
17	4099974—Cam, 46S, 56S, 76S	.35
17	4102018—Cam, 41, 43, 51, 71	.30
18	4570352—Reglitr., 41, 43, 51, 71	4.50
18	4570356—Reglitr., 46S, 56S, 76S	5.00
19	4073936—Cam	.35
20	4570350—Control, remote	.90
21	4572013—Link, 41, 43, 51, 71	.10
21	4572015—Link, 46S, 56S, 76S	.10
22	4571045—Lock	4.75
23	4561310—Striker	1.05
24	4581163—Wthstp., bottom	1.75
24	4162421—Wthstp., lock side, 50, 70	1.20
24	4578726—Wthstp., lock side, 40	1.00
25	4099781—Handle, out.	1.00
26	4573772—Chan., 41, 51, 71
26	4571392—Chan., 43, 46S, 56S, 76S

FRAME ASSEMBLY ALL MODELS

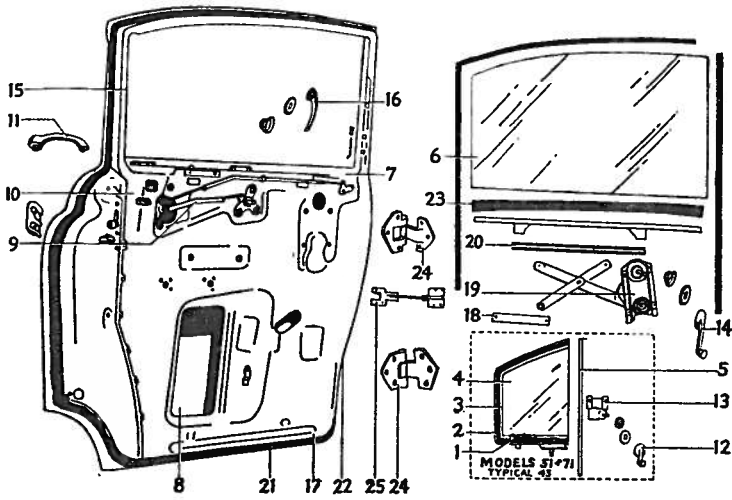


Item Part No.	Description	Price
1	1338266—Rad., mount.	1.25
2	1393920—Crossmbr., ex., 70.	14.25
2	1393921—Crossmbr., 70.	14.95
3	1331023—Plate, mount.	.15
4	1317358—Stop	.60
5	1323827—Brkt., steer., 40, 50	.75
5	1323829—Brkt., steer., 70.	.75
6	1338407—Brkt., #1	.65
7, 8, 9	1338217—Brkt., #2, 3, 4, 6	.75
10	1339504—Brkt., #5, 56C, 76C, 56R, 76R	.75
11	1338235—Brace	1.65
12	1338158—Member	7.50
13	1337226—Member	2.50

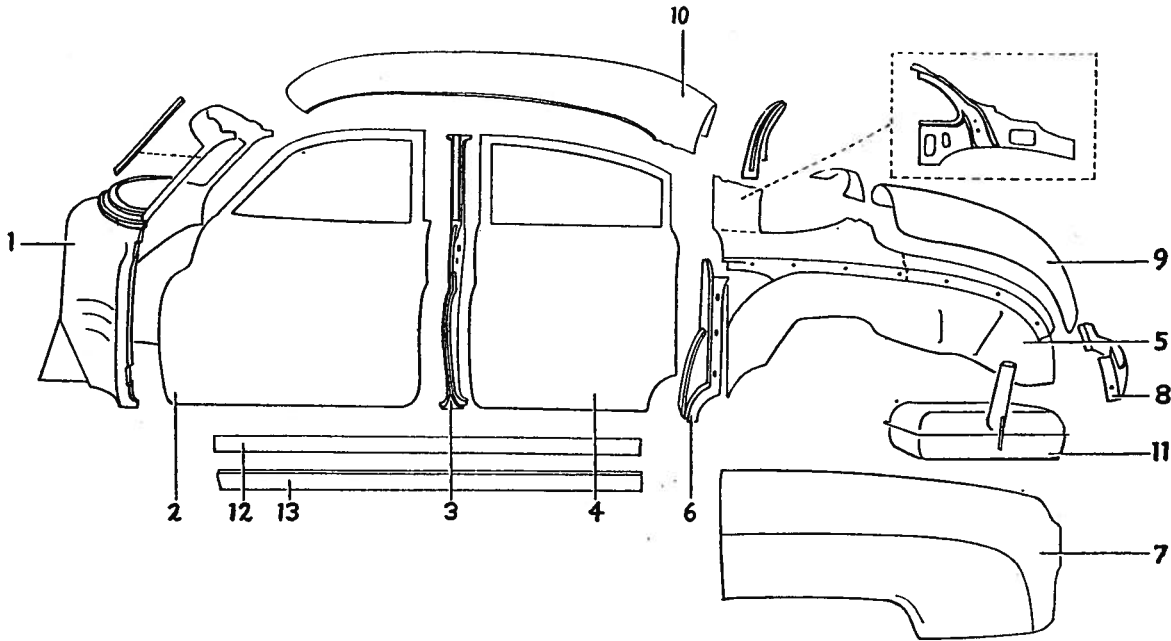
BODY PARTS 1950 BUICK

Series 40, 50 and 70. ALL BODY STYLES

REAR DOOR SERIES 40, 50, 70



Item	Part No.	Description	Price	Item	Part No.	Description	Price
1	4128368	Lock vent.	.60	15	4150139	Mldg., assy., gar-nish, 52, 72	10.2
2	4173100	Wthstp.	2.65	16	4099781	Handle, inner	1.0
3	4172882	Channel	4.50	17	4573042	Door, 41, early	52.5
4	4570980	Glass, vent., 51, 71 P.O.A.	4.00	17	4582366	Door, 41, late	52.5
4	4578610	Glass, vent., ser. 40	2.55	17	4578948	Door, 43	45.0
5	4578825	Chan., div., 40	10.75	17	4582371	Door, 51, 71, early	47.5
5	4572774	Chan., div., 51, 71	14.50	17	4586448	Door, 51, 71, late	52.5
6	4568915	Glass, door, 40	4.00	18	4579570	Cam, low., 41, 51, 71	.3
6	4570904	Glass, door, 51, 71 P.O.A.	4.00	18	4565604	Cam, low., 43	.3
6	4572404	Glass, door, 52, 72	4.00	18	4562508	Cam, low., 52, 72	.3
7	4570305	Mldg., garnish, 43	19	4570354	Regltr., 43, 51, 71	5.0
7	4572765	Mldg., grnh., 41, up.	19	4579534	Regltr., 41
7	4572769	Mldg., garnish, 41, rear	19	4575360	Regltr., 52, 72
7	4580671	Mldg., garnish, 51, 71, low.	20	4091252	Cam, regltr., 41, 51, 71	.4
7	4572764	Mldg., garnish, 51, 71, up.	20	4091249	Cam, regltr., 52, 72	.4
8	4579569	Cover, inspect., 41	20	4073936	Cam, regltr., 43	.3
8	4582940	Cover, inspect., 52, 72	21	4576862	Wthstp., btm., 43	.9
9	4572052	Link, R.C., ex. 52, 72	.10	22	4577765	Wthstp., hinge side, 43	2.5
9	4573054	Link, R.C., 52, 72	.10	22	4579920	Wthstp., hinge side, 41, 51, 71	2.5
10	4571266	Lock	5.25	22	4579922	Wthstp., hinge side, 52, 72
11	4578881	Handle, outer, 43	3.65	21	4580188	Wthstp., btm., early
11	4579360	Handle, outer	21	4584582	Wthstp., btm., late	1.1
12	4115746	Handle, vent.	1.50	23	4569725	Chan., low., 43	1.3
13	4173627	Regltr., 51, 71	2.65	23	4572888	Chan., low., 41, 51, 71	1.3
13	4574432	Regltr., 40	4.00	23	4573578	Chan., low., 52, 72	1.3
13	4557432	Regltr., 52, 72	1.70	23	4045914	Chan., up., all	1.6
14	4115747	Handle, door, w/w	6.00	24	4571438	Hinge, up., 43	2.8
15	4578986	Mldg., assy., gar-nish, 43	6.00	24	4572444	Hinge, up., ex., 43	2.8
15	4578998	Mldg. assy., gar-nish, 41, 51, 71	6.25	24	4571443	Hinge, low., all	2.6
				25	4578869	Check link	.6



BODY SHEET METAL AND FUEL TANK

SERIES 50, 70
MODELS 51, 52, 71, 72
4-DOOR SEDAN

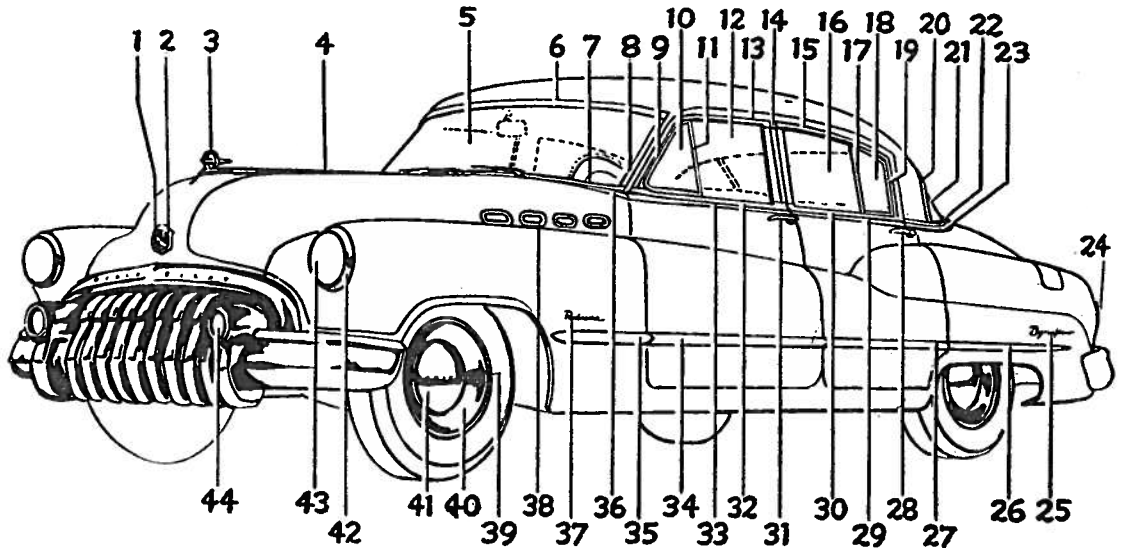
Item	Part No.	Description	Price	Item	Part No.	Description	Price
1	4573450	Cowl & dash assy., 51, 71	132.50	5	4586566	Panel, rear qtr., 52, 72	59.25
1	4575206	Cowl & dash assy., 52, 72	135.00	6	4567339	Exten., rear qtr.	3.75
2	4573038	Door, front, 51, 71	54.50	7	1339829	Fender	27.25
2	4589286	Door, front, 52, 72	55.00	8	4577802	Panel, rear end	41.00
3	4586433	Pillars, 51, 71	30.50	9	4573163	Lid, rear compt.	35.00
3	4582357	Pillar, 52, 72	54.50	10	4573066	Panel, roof, 51, 71	45.00
4	4582371	Door, rear, 51, 71	54.50	10	4575016	Panel, roof, 52, 72	52.50
4	4577284	Door, rear, 52, 72	55.00	11	1341789	Tank, fuel	20.00
5	4578347	Panel, rear qtr., 51, 71	45.00	12	4568580	Rocker, in., 51, 71	5.50
				13	4573599	Rocker, out., 51, 71	12.50
				12	4574135	Rocker, in., 52, 72	N.L.
				13	4573871	Rocker, out., 52, 72	N.L.

BUICK 1950 BODY PARTS

Series 40, 50 and 70. ALL BODY STYLES

BODY MOULDINGS, WHEELS AND GLASS

SERIES 50, 70—MODELS 51, 71
4-DOOR SEDAN

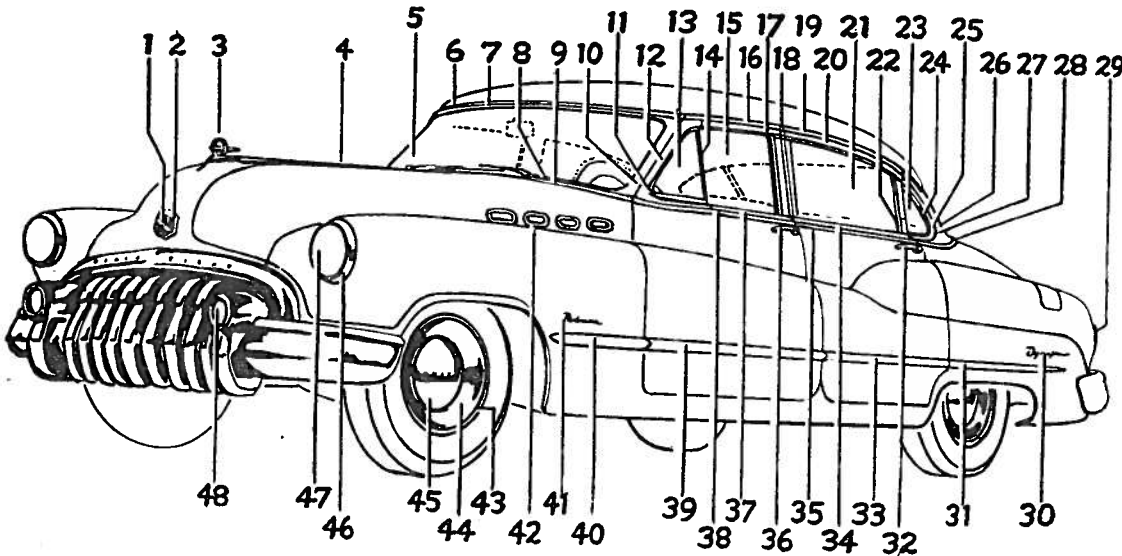


Item Part No.	Description	Price
1	1339346—Emblem	1.50
2	1339347—Base	1.35
3	1338878—Ornament	6.75
4	1323559—Mldg., ser. 50	1.35
4	1339783—Mldg., ser. 70	1.50
5	4570442—Glass, windshield	55.00
6	4578161—Molding, up.	4.00
7	4576660—Molding, low.	4.35
8	4578163—Molding, side	1.25
9	4172878—Chan., vent.	5.50
10	4569048—Glass, vent.	3.50
11	4576410—Chan., div.	3.35
12	4571343—Glass, door	10.00
13	4572757—Molding, up.	3.00
14	4570529—Mldg., up., pillar	.85
15	4572765—Molding, up.	2.75
16	4570904—Glass	10.00
17	4551201—Chan., div.	4.00
18	4570980—Glass, vent.	2.75
19	4172882—Chan., vent.	4.50
20	4573079—Mldg., up.	2.50
21	4574318—Molding, div.	1.35
22	4575027—Molding, low.	2.50
	4573330—Glass, back w/w, L.	7.75
	4573331—Glass, back w/w, center	15.25
23	4575025—Molding	3.00
24	5939072—Door	2.35
25	1393816—Monogram, D.F.	1.50
26	1339530—Molding	2.50
27	1339521—Molding	3.25
28	4579360—Handle	3.65
29	4572771—Molding	4.75

Item Part No.	Description	Price
30	4572769—Mldg., low. w/w	2.35
31	4579358—Handle	4.50
32	4570549—Mldg., low. w/w	3.75
33	4572763—Mldg., belt	4.50
34	1339521—Mldg.	3.25
35	1339527—Mldg., ser. 51	2.00

Item Part No.	Description	Price
35	1339528—Mldg., ser. 71	2.25
36	4578569—Molding	2.50
37	1393724—Monogram, super	.95
37	1393725—Mngm., Rdmaster	1.20
38	1340272—Bezel	1.15
39	1324523—Wheel	15.75

Item Part No.	Description	Price
40	1333747—Molding, ser. 50	4.25
40	1341710—Disk, 50 & 70	5.50
41	1319967—Hub cap, ser. 50	2.85
42	5936855—Door	2.15
43	925000—Unit, sealed beam	1.25
44	928070—Parking light assy.	4.25

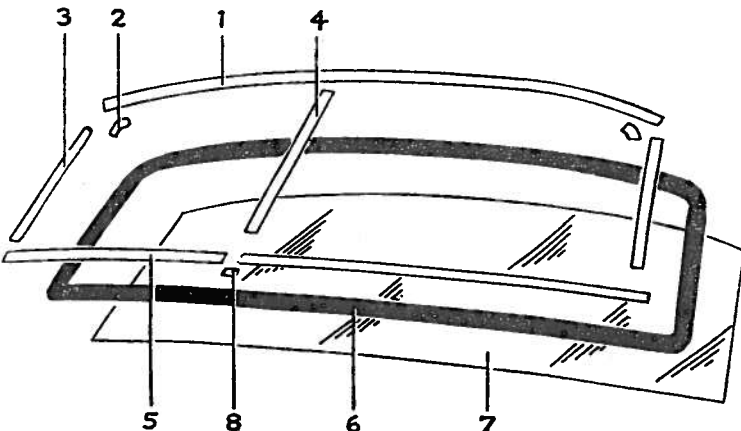


Item Part No.	Description	Price
10	4576627—Molding, side	15.00
11	4172876—Chan., vent.	4.85
12	4575347—Mldg., front	6.75
13	4572629—Glass, vent.	4.25
14	4583292—Chan., div.	3.75
15	4572294—Glass, door	9.75
16	4580647—Molding	3.65
17	4575267—Molding, up.	4.15
18	4587889—Mldg., pillar	1.15
19	4580650—Molding	4.85
20	4575309—Molding, up.	3.85
21	4572404—Glass, door	14.50
23	4575756—Glass	3.00
24	4172888—Chan.	4.75
25	4575760—Vent., assy.	19.50
26	4575111—Glass, back w/w, L.	5.50
26	4575112—Glass, back w/w, center	16.00
	4576858—Mldg., up., back window, L.	2.35
	4576860—Mldg., low., back window, L.	2.50
	4583295—Mldg., div., back window, L.	1.15
27	4580652—Mldg., header	5.20
28	4576325—Mldg., belt	3.00
29	5939072—Door	2.35
30	1393816—Monogram	1.50
31	1339530—Molding	2.50
32	4579360—Handle	3.65
33	1341093—Molding	2.50
34	4575255—Molding, low.	4.75
35	4579749—Molding, belt	5.50
36	4579358—Handle	4.50
37	4575268—Molding, low.	4.15
38	4575352—Molding, belt	8.00
39	1341092—Molding	3.25
40	1339527—Molding, 52	2.00
40	1339528—Molding, 72	2.25
41	1393724—Monogram, super	.95
41	1393725—Mngm., Roadmstr.	1.20
42	1340272—Bezel	1.15
43	1324523—Wheel	15.75
44	1333747—Mldg.	4.25
44	1341710—Disk	5.50
44	1319967—Hub cap	2.85
46	5936855—Door	2.15
47	925000—Unit, sealed beam	1.25
48	928070—Parking light assy.	4.25

BODY MOULDINGS, WHEELS AND GLASS

SERIES 50, 70—MODELS 52, 72
4-DOOR SEDAN

Item Part No.	Description	Price
1	1339346—Emblem	1.50
2	1339347—Base	1.35
3	1338878—Ornament	6.75
4	1323559—Molding, 52	1.35
4	1339783—Molding, 72	1.50
5	4575163—Glass, windshield	55.00
6	4576615—Molding	2.00
7	4584846—Molding, up.	3.85
8	4584847—Molding, low.	5.00
9	4578569—Molding, F. end	2.50



WINDSHIELD

SERIES 40

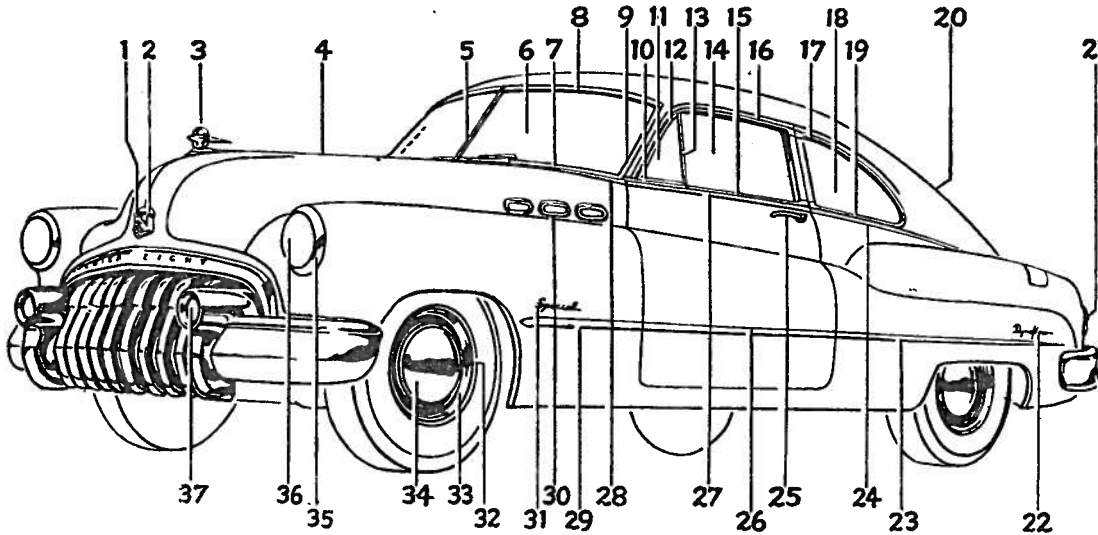
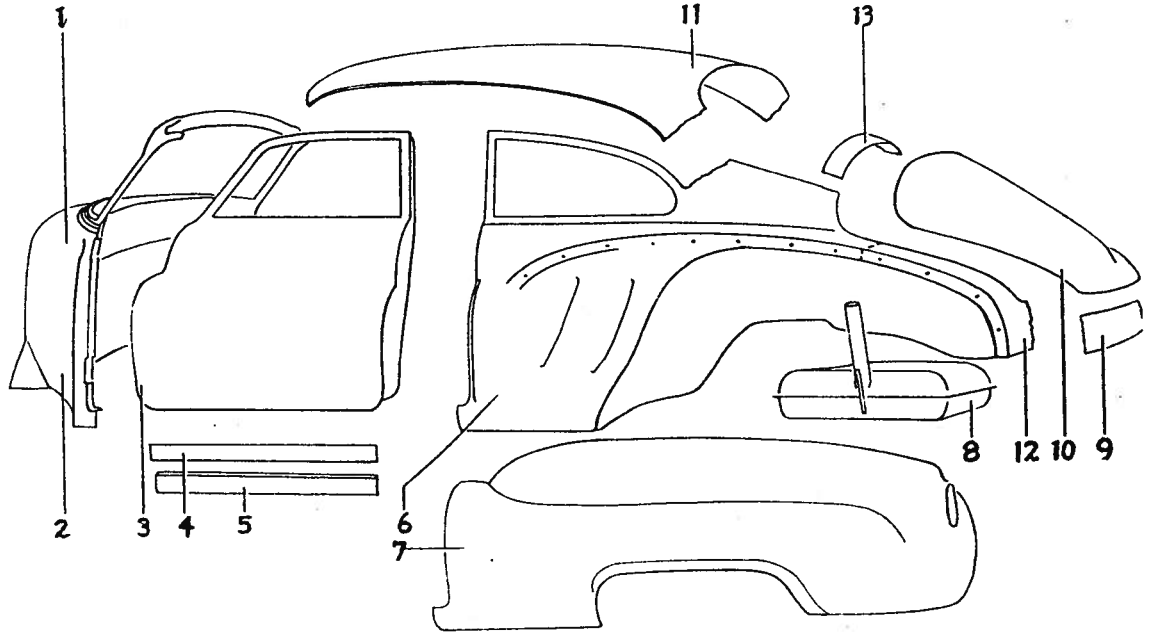
Item Part No.	Description	Price	Item Part No.	Description	Price
1	4578161—Molding, up.	4.00	5	4576660—Molding, low., L.	4.35
2	4578135—Escutcheon, up. L.	1.00	6	4581850—Channel, rubber	11.50
3	4578163—Mldg., side, L.	1.25	7	4570444—Glass, L.	27.50
4	4571444—Mldg., div. std.	1.50	8	4577025—Escutcheon, low.	.40
4	4584471—Mldg., div., de luxe	1.15			

BODY PARTS 1950 BUICK

Series 40, 50 and 70. ALL BODY STYLES

SHEET METAL AND FUEL TANK SERIES 40—MODEL 46S 2-DOOR SEDAN

Item Part No.	Description	Price
1 4576154	Cowl & dash assy.	150.00
2 4584791	Panel, cowl side..	5.75
3 4569768	Door	54.50
4 4568580	Panel, rocker, in..	5.50
5 4573543	Panel, rocker, out.	8.25
6 4570518	Panel, rear qtr....	60.00
7 1339807	Fender	31.50
8 1341789	Tank, fuel	20.00
9 4573153	Panel, rear end... 5.65	
10 4572248	Lid, rear compt... 32.50	
11 4570523	Panel, roof	47.50
12 4574607	Extension	6.25
13 4566957	Panel, R. compt... 3.25	



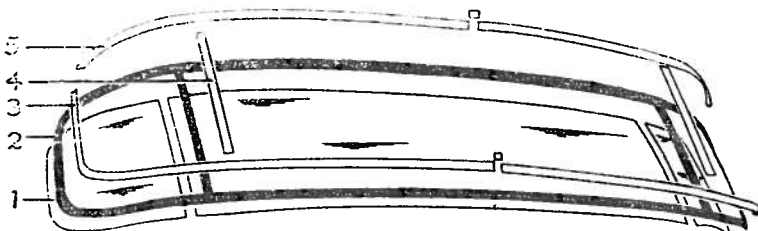
BODY MOULDINGS, WHEELS AND GLASS 2-DOOR SEDANS SERIES 40—MODEL 46, 46S

Item Part No.	Description	Price
1 1339346	Emblem	1.50
2 1339347	Base	1.35

Item Part No.	Description	Price
3 1338878	Ornament	6.75
4 1323559	Molding	1.35

Item Part No.	Description	Price
5 4571444	Molding	1.50
5 4584471	Molding	1.15

Item Part No.	Description	Price
6 4570444	Glass, windshield .	27.50
7 4576660	Molding, low.	4.00
8 4578161	Molding, up.	4.00
9 4578163	Molding, side	1.20
10 4571960	Vent., assy.	17.50
11 4569048	Glass, vent.	3.50
12 4172878	Chan., vent.	5.50
13 4576410	Molding, div.	3.50
14 4572222	Glass, door	12.00
15 4570549	Molding, low.	3.00
16 4570380	Molding, up.	3.00
17 4570379	Molding	3.00
18 4569804	Glass, rear qtr....	13.20
19 4570382	Molding, low.	7.00
20 4570313	Glass, back w/w ..	25.00
4570491	Mldg., up., back	
w/w		2.50
4570669	Mldg., low., back	
w/w		2.50
21 5939072	Door	2.50
22 1393816	Monogram, D/F.	1.50
23 1339532	Molding	4.50
24 4579615	Molding	8.00
25 4579358	Handle	4.50
26 1339522	Molding	3.50
27 4570374	Molding	4.00
28 4578569	Molding	2.50
29 1339527	Molding	2.00
30 1340272	Bezel	1.00
31 1393873	Monogram	1.50
32 1340197	Wheel	15.00
33 1323462	Molding	2.50
34 1319967	Hub cap	2.50
35 5936855	Door	2.50
36 925000	Unit, sealed beam..	1.50
37 928070	Parking light assy.	4.50



REAR WINDOW ALL MODELS

Item Part No.	Description	Price	Item Part No.	Description	Price
1 4570313	Glass, 2 & 4-d....	25.00	3 4570669	Mldg., L., 46S, 43D, 56S, 76S	2.50
1 4573330	Glass, L., 4-d....	7.75	3 4575027	Mldg., L., 41, 51, 71	2.50
1 4573331	Glass, center, 4-d.	15.25	3 4578574	Mldg., L., 56R, 76R, 1st jobs	2.50
1 4575111	Glass, L., 52, 72...	5.50	3 4587427	Mldg., L., 56R, 76R, 2nd jobs	2.50
1 4575112	Glass, cntr., 52, 72	16.00	4 4574318	Mldg., div., 41D...	1.50
1 4577854	Glass, L., 56R, 76R	8.25	4 4577488	Mldg., div., 51, 71	1.50
1 4577855	Glass, center, 56R, 76R	17.50	4 4579738	Mldg., div., 52, 72	1.50
2 4570312	Chan., rubber, 46S, 43B, 56S, 76S	4.75	4 4578686	Mldg., div., 41....	1.50
2 4573860	Chan., rubber, 41D, 51, 71	12.50	4 4580656	Mldg., div., 56R, 76R	1.50
2 4577714	Chan., rubber, 52, 72	11.00	5 4570491	Mldg., L., 46S, 43D, 56S, 76S	2.50
2 4577856	Chan., rubber, 56R, 76R	13.00	5 4573079	Mldg., L., 41D, 51, 71	2.50
2 4581851	Chan., rubber, 46, 43	5.00	5 4576858	Mldg., L., 52, 72...	2.50
2 4581852	Chan., rubber, 41D, 51, 71	12.50	5 4578368	Mldg., 56R, 76R...	2.50

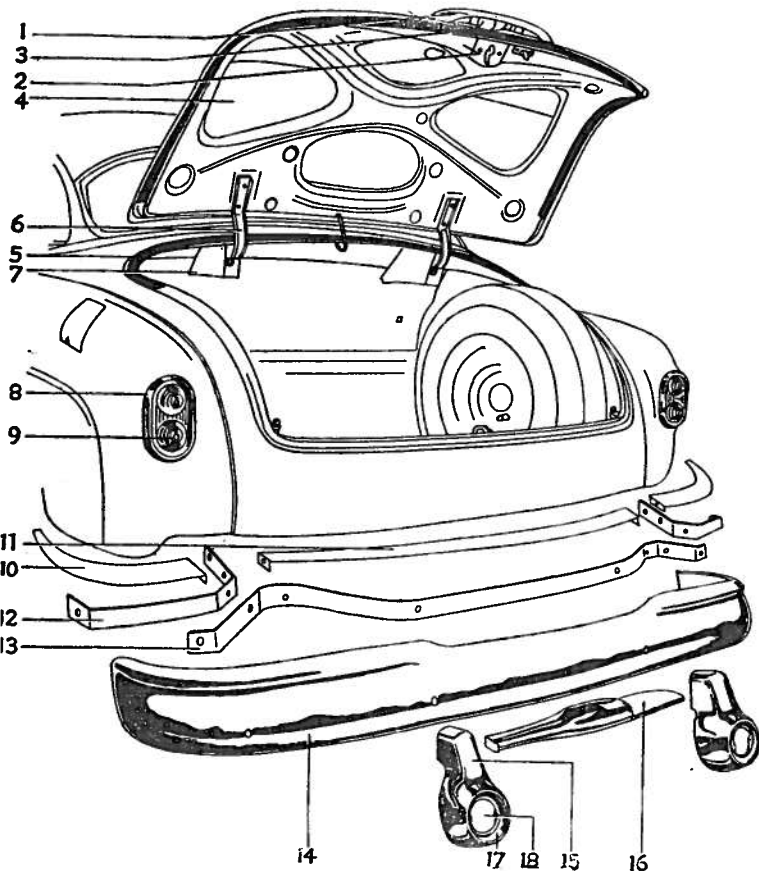
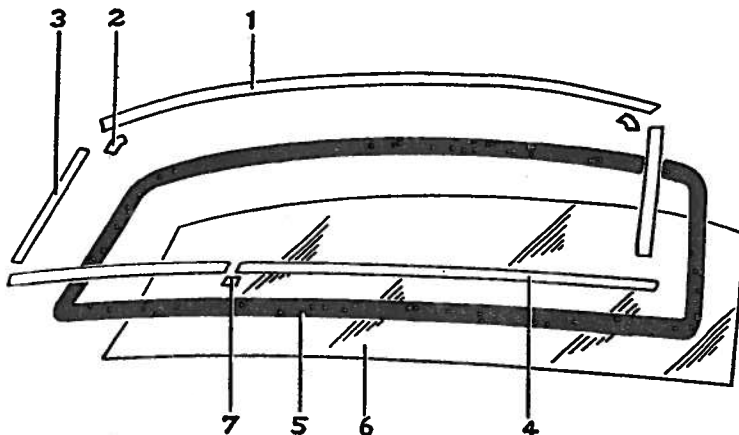
BUICK 1950 BODY PARTS

Series 40, 50 and 70. ALL BODY STYLES

WINDSHIELD

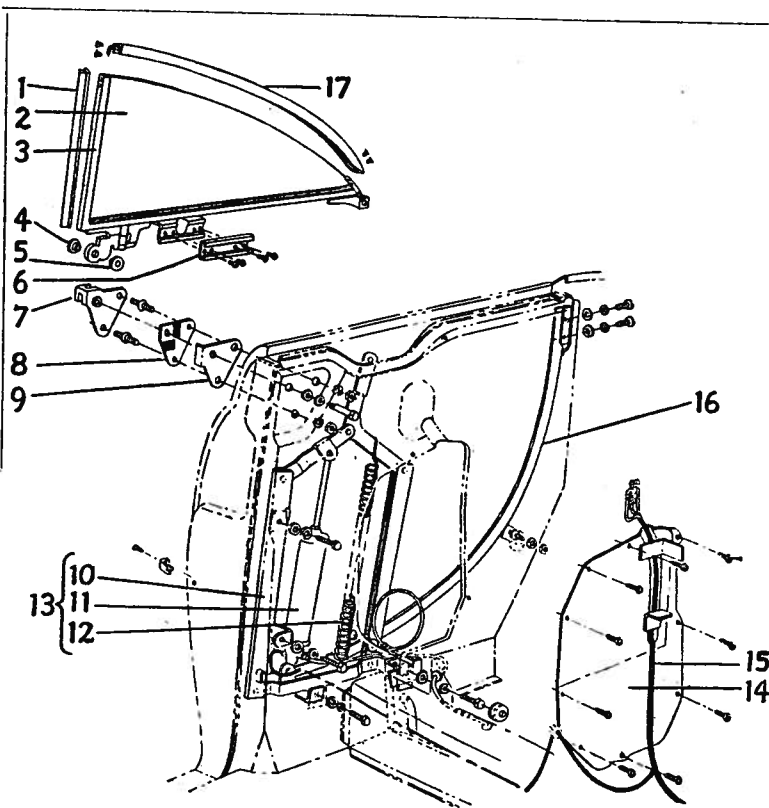
SERIES 50, 70

Item Part No.	Description	Price	Item Part No.	Description	Price
1 4578161	—Midg., up., 51, 71, 56S, 76S	4.00	3 4577806	—Midg., L., side, 56R, 76R	10.50
1 4584846	—Midg., up., 52, 72	3.85	3 4576627	—Midg., L., side, 52, 72	15.00
1 4584857	—Midg., up., 56C, 76C	3.50	4 4576660	—Midg., low., ex., 52, 72	4.35
1 4584853	—Midg., up., 56R, 76R	3.25	4 4584847	—Midg., low., 52, 72	5.00
2 4578135	—Escutcheon, up., 51, 71, 56S, 76S	1.00	5 4585902	—Chan., rubber, 51, 71, 56S, 76S	9.50
2 4579875	—Escutcheon, up., 56C, 76C (no radio)	1.35	5 4578176	—Chan., rubber, 56C, 76C, 56R, 76R	8.00
2 4578976	—Escutcheon, up., 56C, 76C (radio)	1.45	5 4575911	—Chan., rub., 52, 72	10.75
2 4579581	—Escutcheon, up., 56R, 76R (radio)	1.65	6 4570442	—Glass, 51, 71, 56S, 76S	55.00
2 4582053	—Escutcheon, up., 56R, 76R (no radio)	1.65	6 4575162	—Glass, 56C, 76C, 56R, 76R	55.00
3 4578163	—Midg., L., side, 51, 71, 56S, 76S	1.25	6 4575163	—Glass, 52, 72	55.00
3 4576698	—Midg., L., side, 56C, 76C	9.75	7 4577911	—Escutcheon, low.	.50



REAR OF CAR ALL MODELS

Item Part No.	Description	Price	Item Part No.	Description	Price
1 1340225	—Emblem, conv., trans., ser. 40, 50	6.00	6 4172379	—Strap, hinge, ex., 46S, 43, 56S, 76S, 56C, 76C	4.25
1 1340239	—Emblem, D.F.	6.00	7 4172375	—Box, hinge, 46S, 43, 56S, 76S	2.35
2 4572916	—Lock assy., ex., above, 46, 43, 56S, 76S	3.75	7 4172377	—Box, hinge, ex., 46S, 43, 56S, 76S	2.35
3 4572531	—Wthstp., lid, ex., 46S, 43, 56S, 76S	3.00	8 5939072	—Door	2.35
3 4572532	—Wthstp., lid., 46S, 43, 56S, 76S	2.25	9 5939073	—Lens	.95
4 4572248	—Lid, 46S, 43, 56S, 76S	32.50	10 1339733	—Deflector	.75
4 4573163	—Lid, ex., 46S, 43, 56S, 76S	35.00	11 1338769	—Deflector	1.15
5 4574116	—Wthstp., gutter, 46S, 43, 56S, 76S	3.00	12 1338775	—Bar, outer L.	2.25
5 4576269	—Wthstp., gutter, ex., 46S, 43, 56S, 76S	9.75	13 1338780	—Bar, inner	4.78
6 4172378	—Strap hinge, 46S, 43, 56S, 76S	3.75	14 1338798	—Bar, face	48.60
			15 1339161	—Guard	7.25
			16 1338793	—Rail	4.75
			17 5933022	—Door	.85
			18 5938905	—Lens	.40



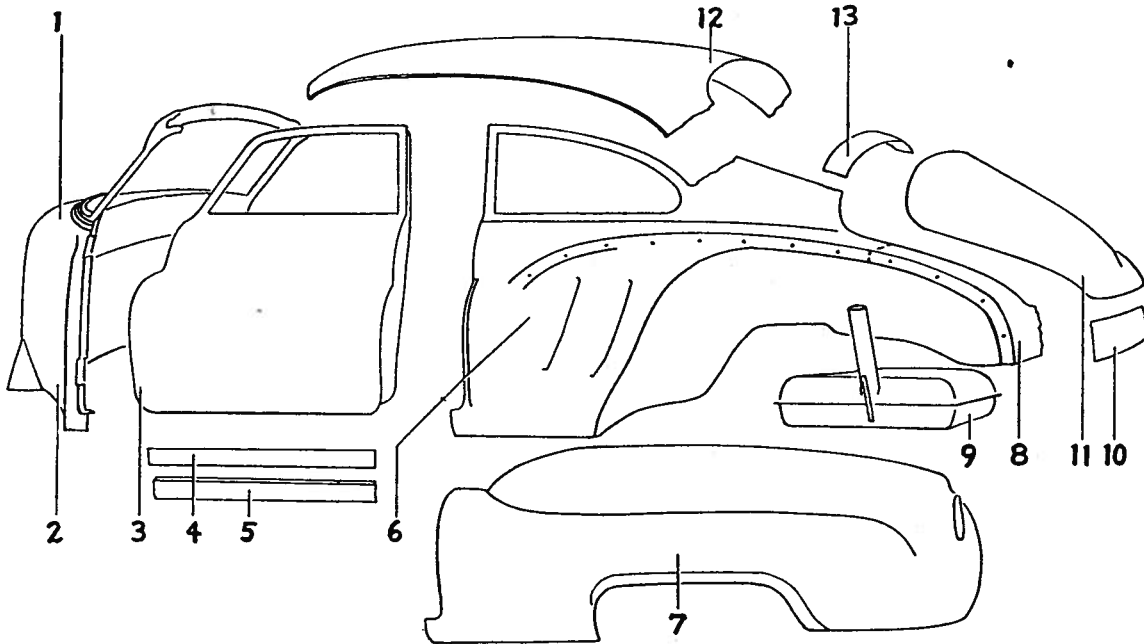
REAR QUARTER WINDOW

SERIES 50, 70
MODELS 56C, 76C, 56R, 76R

Item Part No.	Description	Price	Item Part No.	Description	Price
1 455895	—Weatherstrip	2.25	12 4559327	—Spring	1.75
2 4574849	—Glass, 56C, 76C	9.25	13 4576621	—Regltr., assy.	18.00
2 4580152	—Glass, 56R, 76R	11.00	14 4576375	—Cover	.45
3 4172891	—Channel, 56C, 76C	14.50	15 4578463	—Wire, harness, 56C, 76C	19.00
3 4173466	—Channel, 56R	16.25	15 4583183	—Wire, harness, 56R	20.00
3 4173468	—Channel, 76R	16.25	15 4583365	—Wire, harness, 76R	22.50
4 & 5 4133593	—Bushing	.12	16 4576525	—Guide, 56C, 76C	3.75
6 4576667	—Cam	.25	16 4578376	—Guide, 56R, 76R	4.00
7 4562210	—Hinge	1.85	17 4172889	—Channel, 56C, 76C	8.25
8 4562264	—Plate	.75	17 4173464	—Channel, 56R, 76R	9.50
0 4558976	—Frame	6.50			
1 4558971	—Cylinder	9.50			

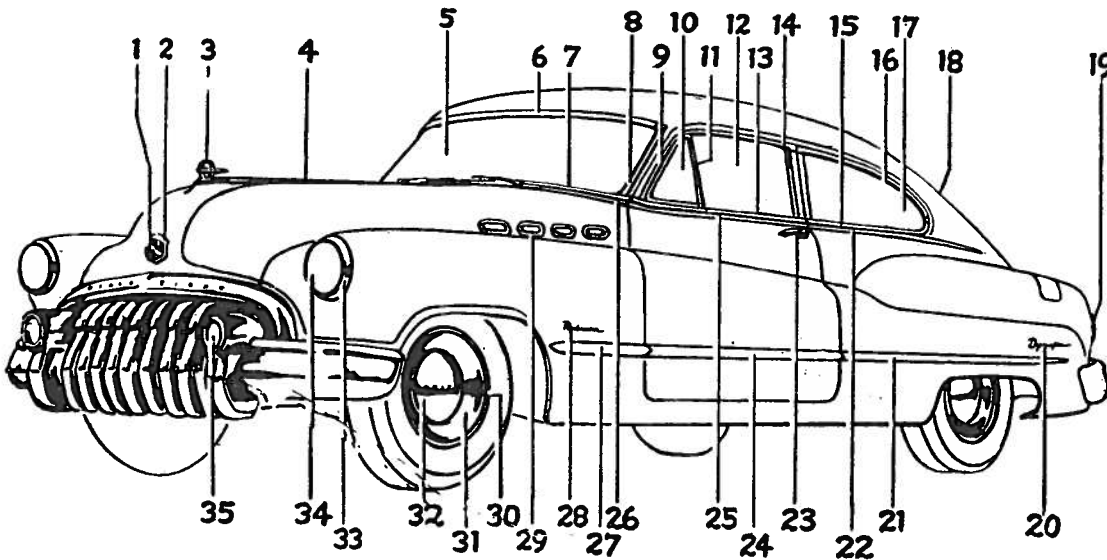
BODY PARTS 1950 BUICK

Series 40, 50 and 70. ALL BODY STYLES



SHEET METAL AND FUEL TANK
 SERIES 50, 70—MODELS 56S, 76S
 2-DOOR SEDAN

Item Part No.	Description	Price	Item Part No.	Description	Price	Item Part No.	Description	Price	Item Part No.	Description	Price
1	4573460—Cowl & dash assy.	132.50	4	4568580—Panel, rocker, in..	5.50	7	1339807—Fender	31.50	10	4573153—Panel, rear end....	5.65
2	4584791—Panel, cowl side...	5.75	5	4573543—Panel, rocker, out.	8.25	8	4574607—Exten., rear qtr...	6.25	11	4572248—Lid, rear compt....	32.50
3	4569768—Door	54.50	6	4172349—Panel, rear qtr....	25.00	9	1341789—Tank, fuel	20.00	12	4570523—Panel, roof	47.50
									13	4566957—Panel	3.25



BODY MOULDINGS, WHEELS AND GLASS
 SERIES 50, 70—MODELS 56S, 76S
 2-DOOR SEDAN

Item Part No.	Description	Price	Item Part No.	Description	Price	Item Part No.	Description	Price	Item Part No.	Description	Price
1	1339346—Emblem	1.50	10	4569048—Glass, vent.	3.50	19	4570669—Midg., back w/w, low.	2.25	27	1339528—Molding, 76S	2.25
2	1339347—Base	1.35	11	4576410—Chan., div.	3.35	20	1393816—Monogram, D.F.	1.50	28	1393724—Monogram, super.	.95
3	1338878—Ornament	6.75	12	4572222—Glass, door	12.00	21	1339532—Molding	4.50	28	1393725—Mngm., Rdmstr.	1.20
4	1323559—Molding, 56S	1.35	13	4570372—Midg., low.	4.00	22	4579615—Molding, belt	8.00	29	1340272—Bezel	1.15
4	1339783—Molding, 76S	1.50	14	4570370—Midg., up.	3.00	23	4579358—Handle	4.50	30	1324523—Wheel	15.75
5	4570442—Glass, windshield..	55.00	15	4555020—Molding, low.	5.60	24	1339522—Molding	2.25	31	1333747—Molding	4.25
6	4578161—Molding, up.	4.00	16	4553594—Molding, up.	8.40	25	4570374—Molding, belt	4.75	31	1341710—Disk	5.50
7	4576660—Molding, low.	4.35	17	4569804—Glass	13.25	26	4578569—Molding	2.50	32	1319967—Hub cap	2.85
8	4578163—Molding, side	1.25	18	4570313—Glass, back w/w..	25.00	27	1339527—Molding, 56S	2.00	33	5936855—Door	2.15
9	4172878—Chan., vent.	6.50		4570491—Midg., back w/w, up.	2.35				34	925000—Unit, sealed beam..	1.25
									35	928070—Parking light assy.	4.25

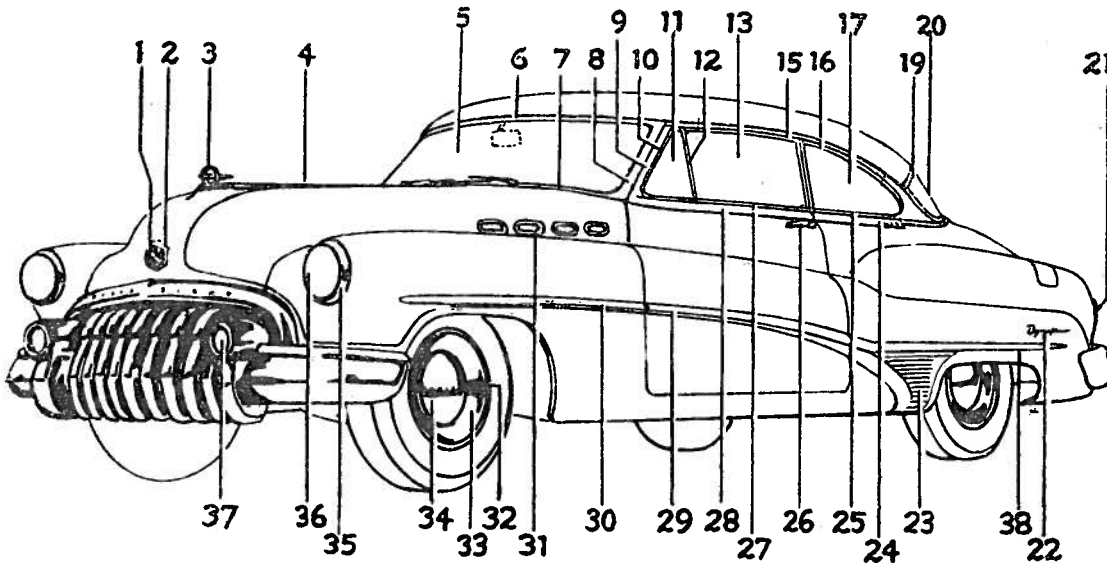
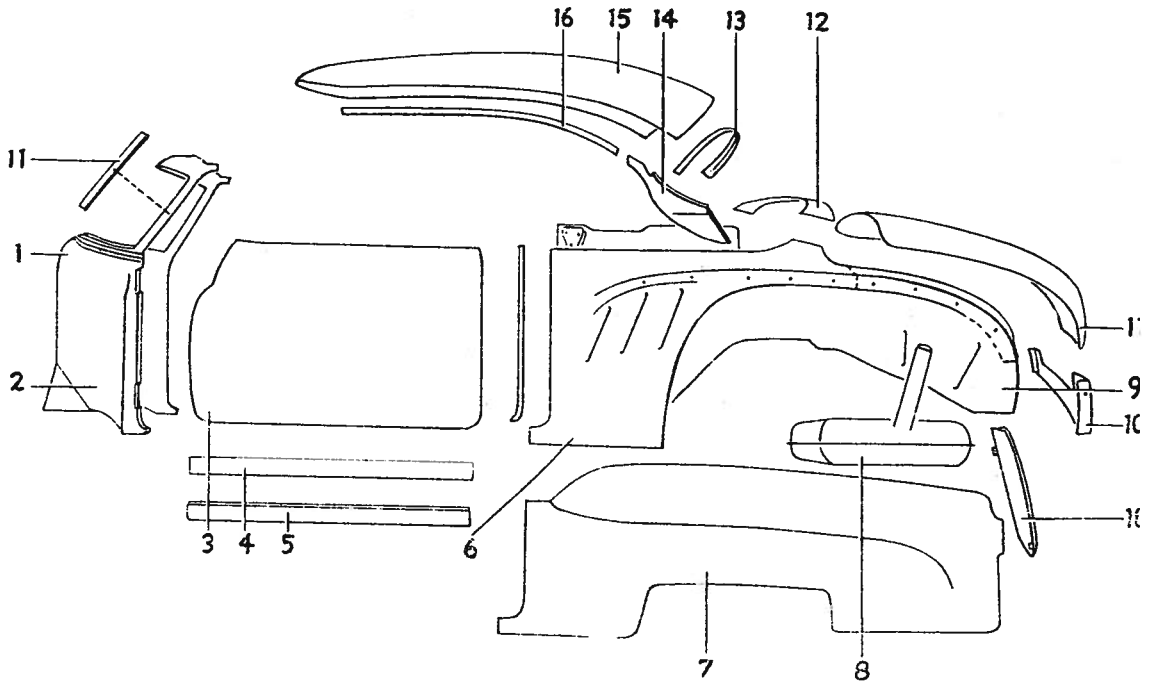
BUICK 1950 BODY PARTS

Series 40, 50 and 70. ALL BODY STYLES

SHEET METAL AND FUEL TANK

SERIES 50, 70
MODELS 56C, 76C, 56R, 76R
CONVERTIBLE & RIVIERA

Item	Part No.	Description	Price
1	4585795	Cowl & dash assy.	132.50
2	4584791	Panel, cowl side...	5.75
3	4577280	Door, 56C, 56R...	51.50
3	4573560	Door, 76C, 76R...	49.85
4	4573671	Panel, rocker, in...	3.25
5	4573543	Panel, rocker, out.	8.25
6	4586907	Panel, rear qtr., 56C	73.75
6	4586909	Panel, rear qtr., 76C	78.75
6	4586903	Panel, rear qtr., 56R	63.75
6	4586905	Panel, rear qtr., 76R	63.75
9	4573932	Exten., rear qtr...	3.25
7	1339805	Fender	31.50
8	1341789	Tank, fuel	20.00
10	4573155	Panel, rear end...	7.25
11	4573163	Lid, rear compt...	35.00
13	4582157	Panel, R. w/w in...	7.50
14	4576261	Exten., qtr. pan., in, conv.	15.85
14	4580208	Exten., qtr. pan., in, 56R	12.75
14	4582652	Exten., qtr. pan., in, 76R	12.50
15	4586916	Panel, roof, 56R...	101.50
15	4586917	Panel, roof, 76R...	107.50
16	4580179	Rail, top side, 76R	3.50
16	4582657	Rail, top side, 56R	3.00
17	4575707	Rail, front side	7.25
18	1339723	Stone deflector	2.00



BODY MOULDINGS, WHEELS AND GLASS

SERIES 50, 70
MODELS 56C, 56R, 76C, 76R
CONVERTIBLE & RIVIERA

Item	Part No.	Description	Price
1	1339346	Emblem	1.50
2	1339347	Base	1.35
3	1338878	Ornament	6.75
4	1323559	Mldg., 56C, 56R	1.35
4	1339783	Mldg., 76C, 76R	1.50
5	4575162	Glass, windshield	55.00
6	4584857	Mldg., up., 56C, 76C	3.50

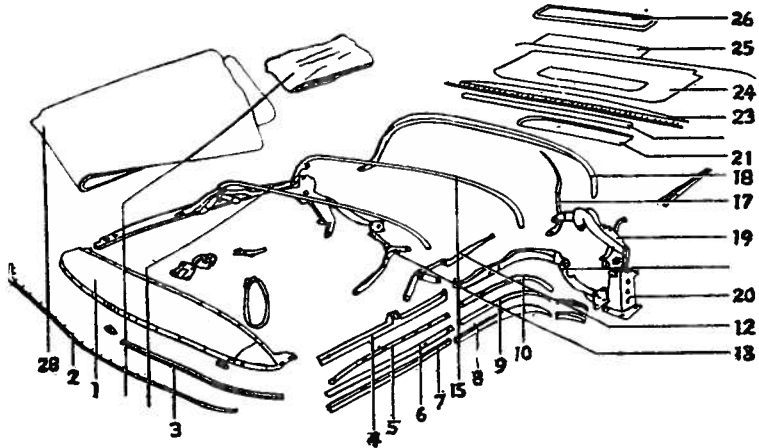
Item	Part No.	Description	Price
6	4584853	Molding, up., 56R, 76R	3.25
7	4576660	Molding, low.	4.35
8	4576698	Molding, side, 56C, 76C	9.75
8	4577806	Molding, side, 56R, 76R	10.50
9	4173091	Vent., assy., 56C, 76C	13.75

Item	Part No.	Description	Price
9	4174697	Vent., assy., 56R, 76R	16.25
10	4172869	Chan., vent., 56C, 76C	5.25
10	4173182	Chan., vent., 56R, 76R	5.85
11	4578110	Glass, vent.	3.85
12	4579081	Frame assy., 56C, 76C	45.00

Item	Part No.	Description	Price
12	4579083	Frame assy., 56R, 76R	45.00
13	4580025	Glass, door	12.00
15	4577335	Molding, up.	6.2
16	4577403	Mldg., 56C, 76C	5.2
16	4579110	Mldg., 56R, 76R	4.2
17	4574849	Glass, 56C, 76C	9.2
17	4580152	Glass, 56R, 76R	11.00
19	4578368	Mldg., up., back w/w, L., 56R, 76R	2.6
19	4578574	Mldg., low., back w/w, L., 56R, 76R	2.3
19	4580656	Mldg., div., back w/w, 56R, 76R	1.1
20	4577854	Glass, back w/w, L., 56R, 76R	8.2
20	4577855	Glass, back w/w, center, 56R, 76R	17.5
21	5939072	Door	2.3
22	1393816	Monogram, D.F.	1.5
23	1341397	Shield, 76C, 76R	8.2
24	4575697	Mldg., belt, 56C	6.3
24	4584516	Mldg., belt, 76C	8.0
24	4584610	Mldg., belt, 56R	6.5
24	4583820	Mldg., belt, 76R	8.0
25	4172891	Chan., low., 56C, 76C	14.5
25	4173466	Chan., low., 56R	16.2
25	4173468	Chan., low., 76R	16.2
26	4580620	Handle, 56C, 56R	4.5
26	4584377	Handle, 76C, 76R	5.7
27	4577335	Mldg., low.	6.2
28	4577337	Mldg., belt, 56C, 56R	5.0
28	4583818	Mldg., belt, 76C, 76R	5.5
29	1339522	Mldg., 56C, 56R	3.2
29	1341377	Mldg., 76C, 76R	5.0
30	1339527	Mldg., ser. 50	2.0
30	1341365	Mldg., 76C, 76R	3.0
31	1340272	Bezel	1.1
32	1324523	Wheel	15.7
33	1333747	Mldg., ser. 50	4.2
33	1341710	Disk, 50 & 70.	5.5
34	1319967	Hub cap, ser. 50	2.8
35	5936855	Door	2.1
36	925000	Unit, sealed beam	1.2
37	928070	Parking light assy.	4.2
38	1339532	Mldg., RF side, 56C, 56R	4.5
38	1341948	Mldg., RF side, 76C, 76R	2.2

BODY PARTS 1950 BUICK

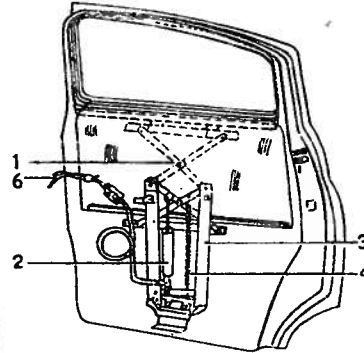
Series 40, 50 and 70. ALL BODY STYLES



FOLDING TOP

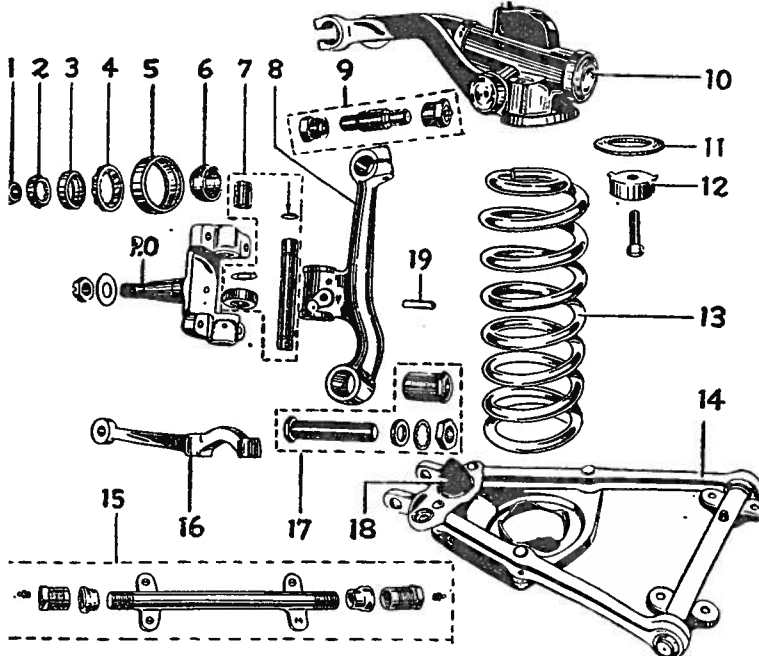
SERIES 50, 70—MODELS 56C, 76C

Item Part No.	Description	Price	Item Part No.	Description	Price
1	4580263—Rail, front	35.00	17	4575712—Iron	8.60
2	4582595—Mldg., front rail	2.50	18	4575913—Bow, rear	11.00
3	4582111—Wthstrp.	1.85	19	4574718—Bow, side, L.	4.85
4	4575707—Rail, side	7.25	20	4577304—Hinge, female	13.75
5	603954—Gasket or filler	1.90	21	4560964—Frame, in.	11.50
6	4577102—Retainer, L.F.	2.75	23	4177232—Valance, 56C	2.75
7	4578884—Wthstrp., F. side	1.85	23	4177321—Valance, 76C	2.75
8	4576910—Wthstrp., side, rr.	1.75	24	4177236—Curtain assy., 56C	44.00
9	4577225—Retainer	2.50	24	4177325—Curtain assy., 76C	44.00
10	603954—Gasket or filler	1.90	25	4555381—Glass	5.50
12	4575336—Link, control	4.85	26	4555901—Frame, out.	15.40
13	4177821—Link	6.50	28	4177234—Cover, top, 56C	60.00
15	4574897—Bow, #1 center	9.00	28	4177323—Cover, top, 76C	68.50



HYDRAULIC WINDOW LIFT FRONT & REAR DOOR PARTS

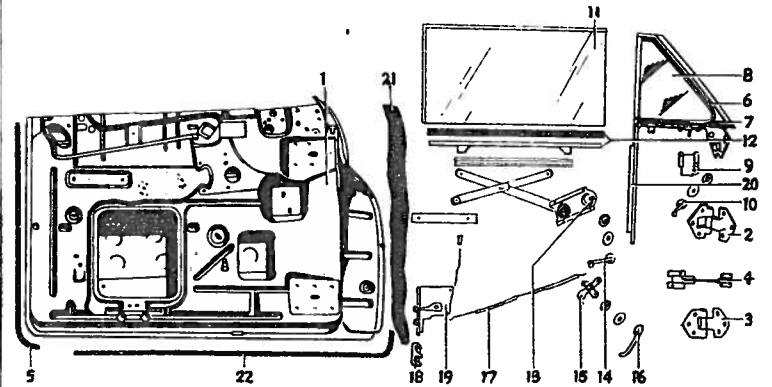
Item Part No.	Description	Price
1	4575453—Regulator assy.	18.50
2	4584412—Cylinder	9.00
3	4576293—Frame	6.25
4	4584186—Spring	1.25
6	4574679—Conduit	.15



FRONT SUSPENSION

ALL MODELS

Item Part No.	Description	Price	Item Part No.	Description	Price
1	909525—Cone	1.20	13	1335808—Spring, 40, 50	8.00
2	909725—Separator & balls	.80	13	1335809—Spring, 70	8.00
3	909625—Cup	1.35	14	1393399—Arm & shaft, 40, 50	17.50
4	909762—Separator & balls	1.25	14	1393431—Arm & shaft, 70	17.50
5	909662—Cup	1.70	15	1393411—Kit, arm shaft	5.10
6	909562—Cone	1.85	16	1323641—Arm, stg., 40, 50	2.25
7	1394793—Kit, king pin	5.25	16	1319765—Arm, steering, 70	2.25
8	1323035—Support, knuckle, 40, 50	8.00	17	1393223—Kit, pivot pin, low., 40, 50	1.55
8	1312657—Suprt. knuckle, 70	8.00	17	1394944—Kit, pivot pin, low., 70	1.70
9	1393886—Kit, pivot pin, up.	1.55	18	411143—Bumper	.45
10	5352936—Shock, ser. 40, 50	14.95	19	230857—Pin, king pin lock	.17
10	5344847—Shock, ser. 70	14.95	20	1393021—Knuckle	10.50
11	1310128—Insulator	.20			
12	1310117—Cup	.17			



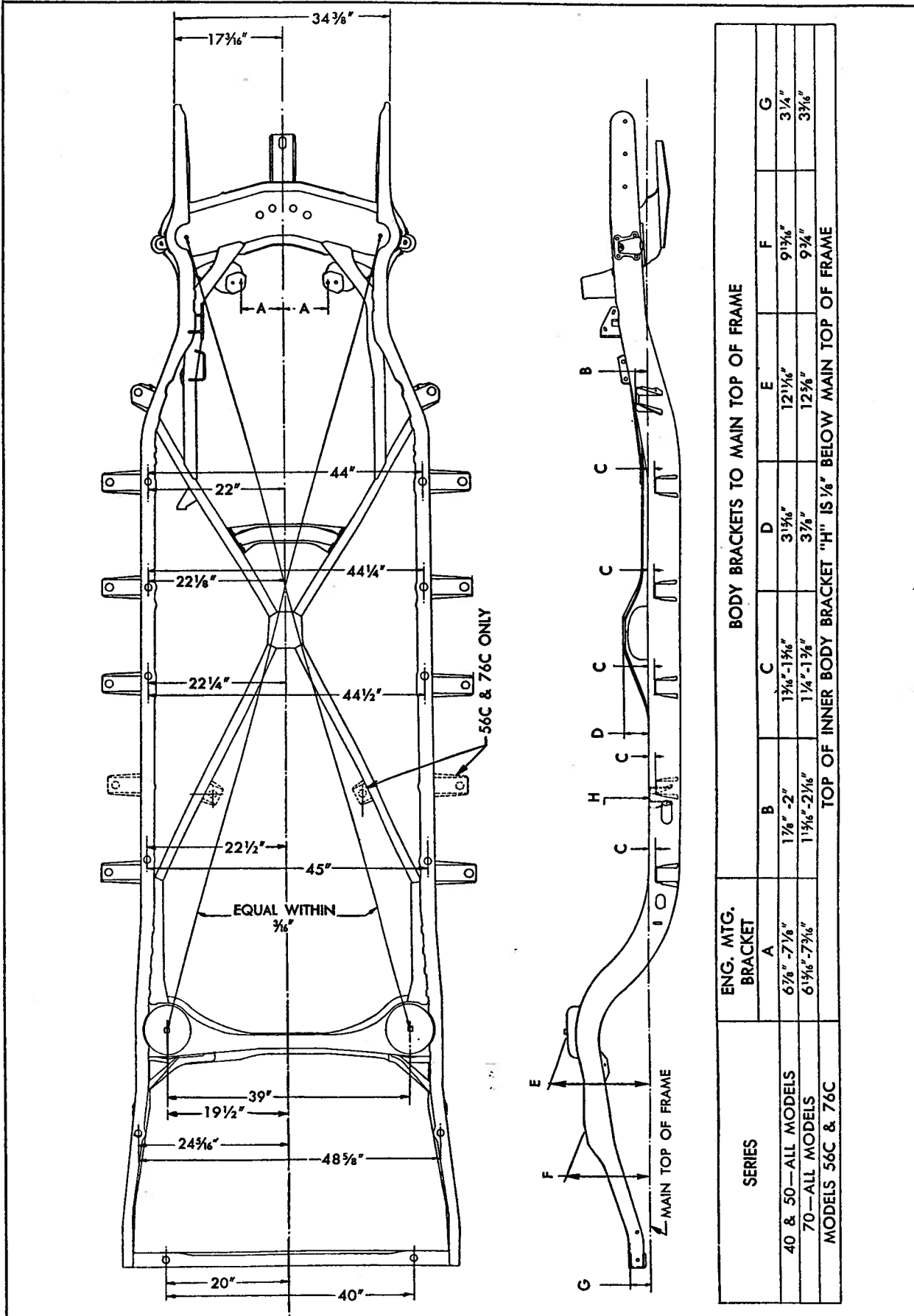
DOOR

SERIES 50, 70—CONVERTIBLE & RIVIERA

Item Part No.	Description	Price	Item Part No.	Description	Price
1	4573560—Door	12.00	11	4580025—Glass, door	12.00
2	4577335—Mldg., garnish	2.35	12	4582217—Chan., low., 56R	...
3	4570661—Hinge, up.	2.35	12	4577360—Chan., low., 76R	...
4	4570662—Hinge, low.	2.35	13	4578480—Regltr., 56R	...
5	4569721—Link, door check	4.50	14	4115747—Handle, regltr.	1.70
6	4582108—Wthstp., lock side, 76C	5.25	15	4570350—Remote control	.90
6	4172869—Chan., vent., 56C, 76C	5.25	16	4099781—Handle, R. C.	1.00
6	4173182—Chan., vent., 56R, 76R	5.85	17	4577067—Link, R. C.	...
7	4579081—Vent., assy., 56C, 76C	...	18	4561310—Striker	1.05
7	4579083—Vent., assy., 56R, 76R	...	19	4571045—Door lock	4.75
8	4578110—Glass, vent.	3.85	20	4172871—Chan., div., 56C, 76C	4.25
9	4557432—Regltr., vent.	3.50	20	4173184—Chan., div., 56R, 76R	4.00
10	4115746—Handle, vent.	1.50	21	4584547—Wthstp., hinge side	.75
			22	4581163—Wthstp., bottom	1.75

BUICK 1950 FRAME

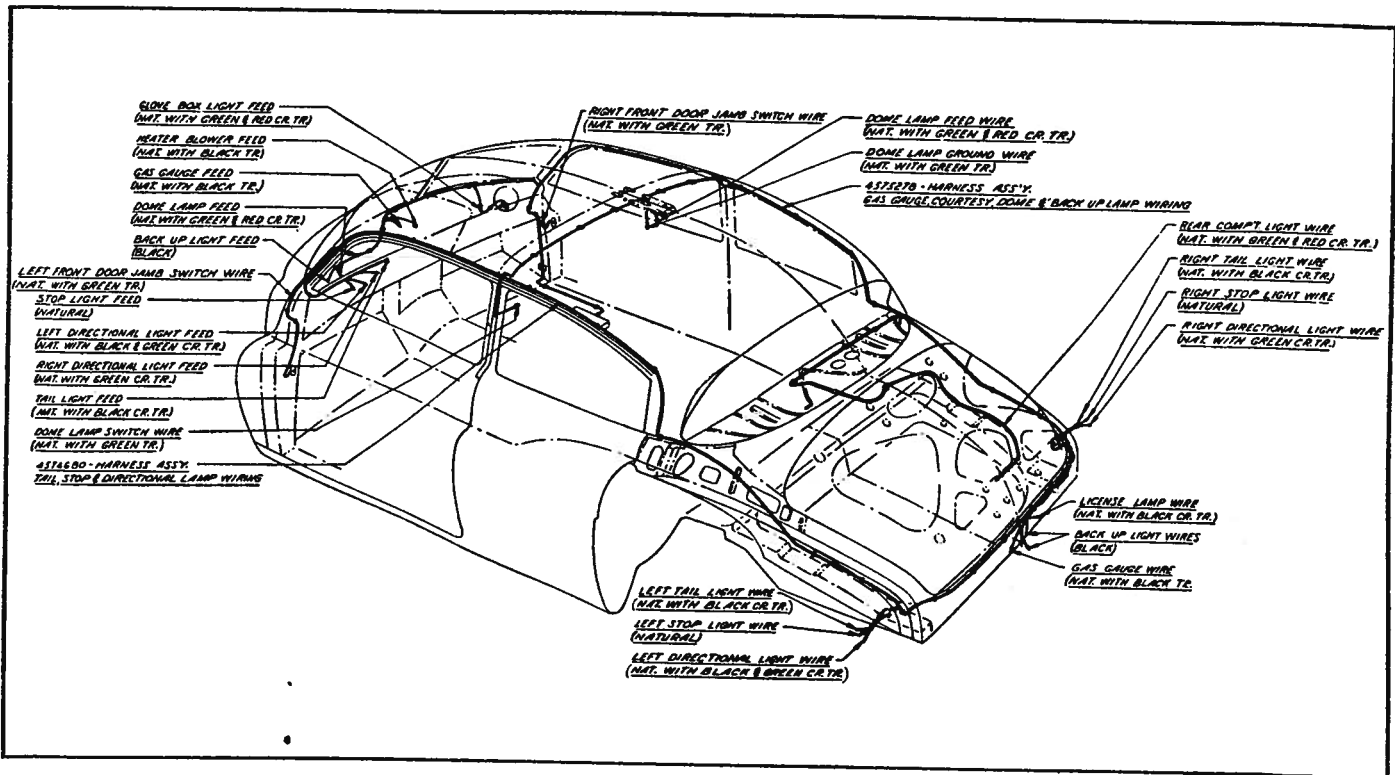
Series 40, 50 and 70. ALL BODY STYLES



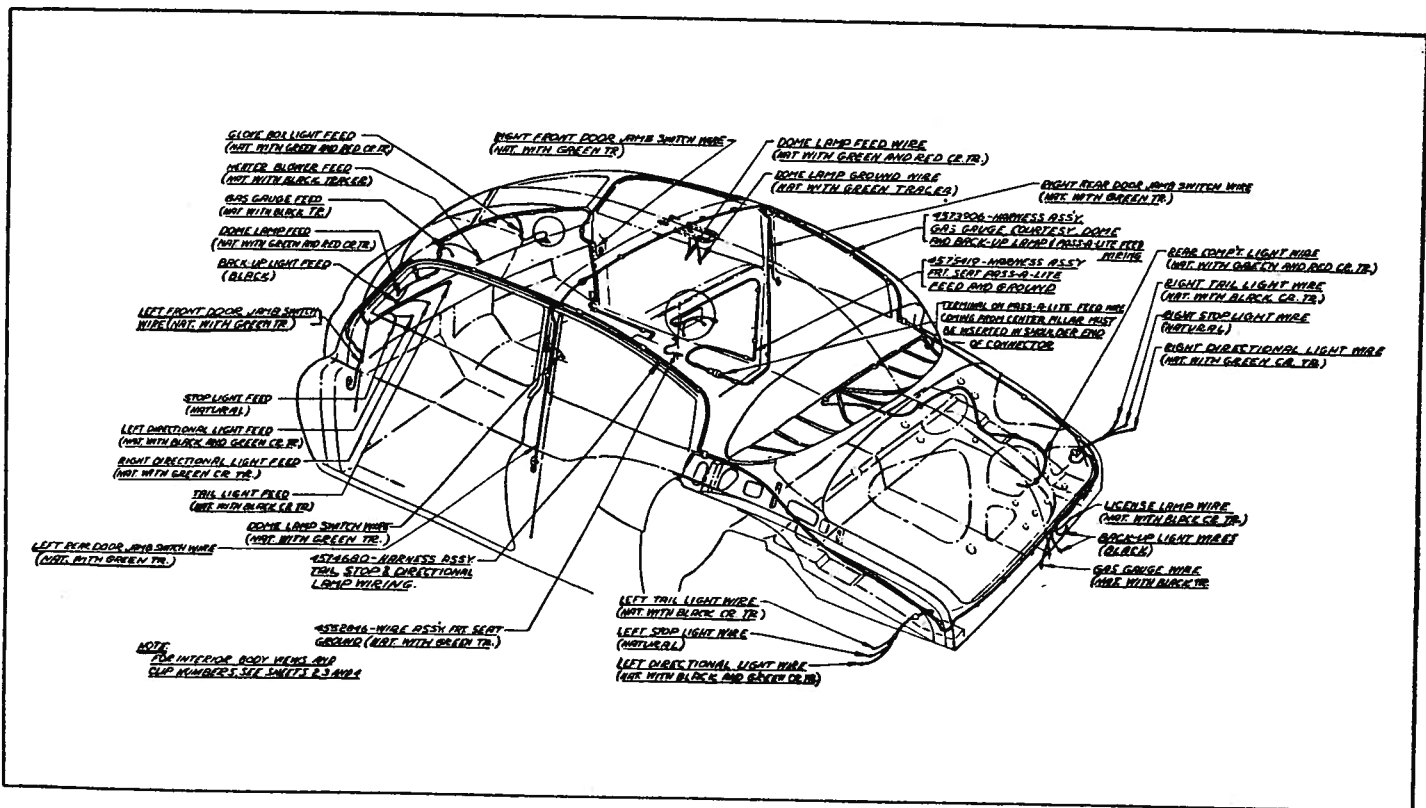
Frame checking dimensions

BODY WIRING 1950 BUICK

Series 40, 50 and 70. ALL BODY STYLES



Models 41, 41D—Styles 4469, 4469D



Models 51, 71—Styles 4569, 4769