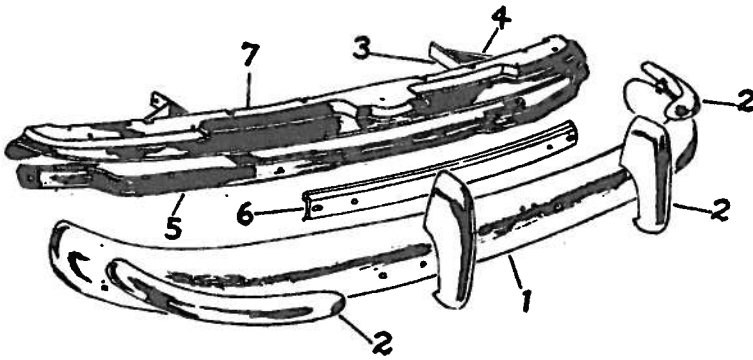


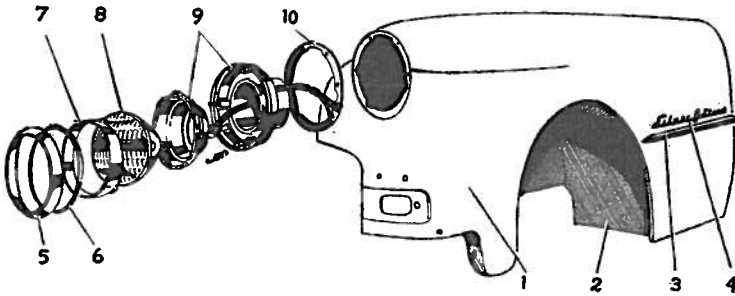
PONTIAC CHIEFTAIN 1949 BODY PARTS

Models 25 and 27. ALL BODY STYLES



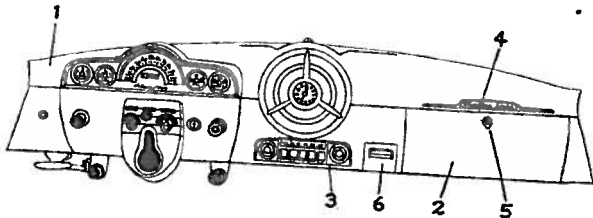
FRONT BUMPER, LEFT SIDE

Item Part No.	Description	Price	Item Part No.	Description	Price
1 511756	Bar	24.50	4 512405	Back bar, out.	2.50
2 511804	Guard, in.	4.80	5 511810	Bumper supt.	5.00
2 511950	Guard, out.	4.60	6 511809	Bar reinforcement	.85
3 512403	Back bar, in.	2.50	7 511758	Apron	5.60



FRONT FENDERS, LEFT SIDE

Item Part No.	Description	Price	Item Part No.	Description	Price
1 511456	Fender	32.00	5 511650	-27, dix.	1.65
1 511878	Fender, dix.	32.00	6 914127	Seal retainer	.05
2 511851	Skirt	6.25	7 924534	Midg., in., trim	1.10
3 511648	Midg., side, dix.	1.25	8 925000	Seal beam unit	1.25
4 Ornament			9 5937072	Lamp body	3.30
	510559-25, exc., dix.	1.75	10 509478	Gasket	.17
	510560-27, exc., dix.	2.00			
	511649-25, dix.	1.45			

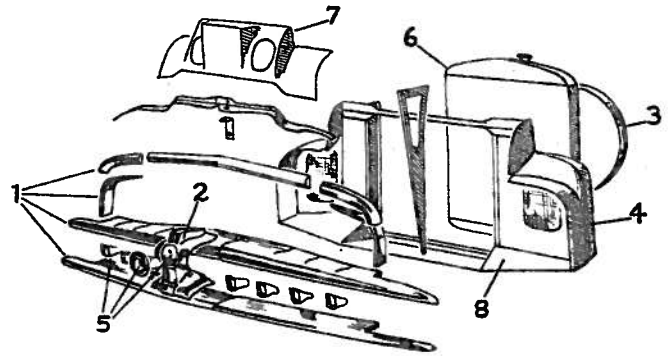


INSTRUMENT PANEL

Item Part No.	Description	Price	Item Part No.	Description	Price
1 4583409	Panel	16.50	5 4099315	Knob, dr.	.65
2 4570283	Door, compt.	5.25	6 511608	Panel, ash try, ex.	1.50
3 511549	Plate, fin., w/o rad.	2.00	67		1.50
3 511573	Panel, radio grille	4.60	6 513083	Panel, ash try, 2567	1.50
4 512400	Name panel, 25	1.00	512653	Panel, heat ctrl. assy.	3.75
4 512197	Name panel, 27	1.00			

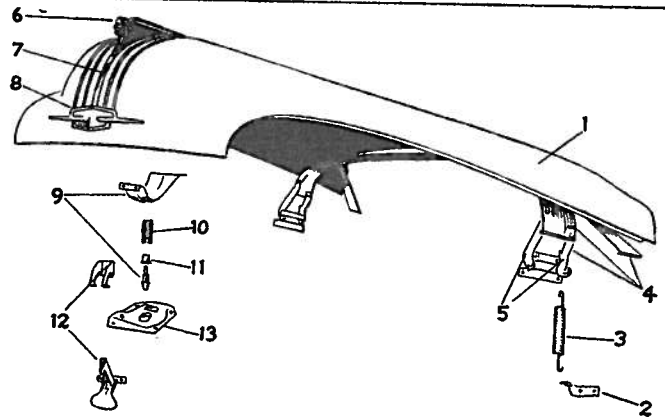
WINDSHIELD ASSEMBLY, LEFT SIDE
4 DOOR—W/O. ¼ PL. WIND.

Item Part No.	Description	Price	Item Part No.	Description	Price
1 4561511	Glass	20.00	4113902	Support	1.25
4568472	Escutcheon, up.	.23	2 4564076	Chnl., w/s. glass	6.25
4568471	Escutcheon, low.	.23	3 Molding, windshield reveal.		
4582763	Midg., garnish	2.65	4560829	Upper	2.75
4588114	Midg., w/s. div., in.	.80	4562379	Lower	1.95
513066	Mirror, R. view	1.75	4560943	Lower corner	.90
4170772	Sunshade, 2569	3.50	4562245	Division	.85
4170773	Sunshade, 2569D	3.75	4575454	Clip	.10



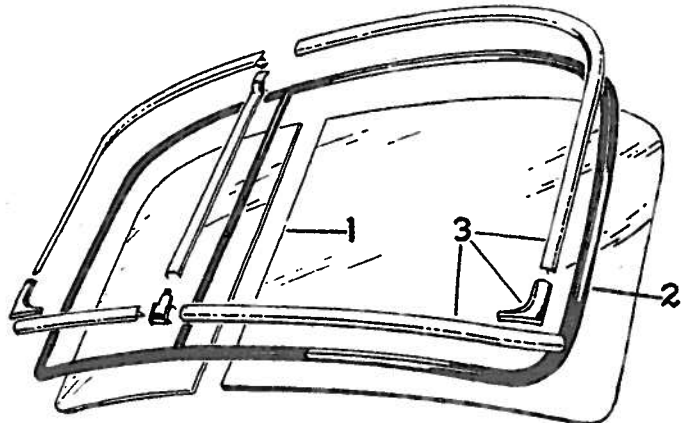
GRILLE, LEFT SIDE

Item Part No.	Description	Price	Item Part No.	Description	Price
1 Grille assembly			4 511761	Baffle, rad sup.	2.15
511260	Up, out. bar	2.60	5 Radiator emblem assy.		
511984	Up, cen. bar	5.25	512099	Plate	1.90
512151	Center blade	11.50	512164	Ornament	8.30
512161	Lower blade	9.25	512176	Emblem ret.	.03
512157	Verticals, 4 used	1.75	6 3121868	Core, rad., 25	60.00
2 Retainer, rad. grille			6 3121989	Core, rad., 27	73.00
512100	Ctr. bar to orna.	.06	7 511879	Brace, low. hd. pl. to rad. sup.	2.05
512088	End, up, out.	1.35	8 511866	Apron, rad. cross member	.70
3 511378	Shroud, rad to fan, 25	2.00			
3 511307	Shroud, rad. to fan, 27	1.50			



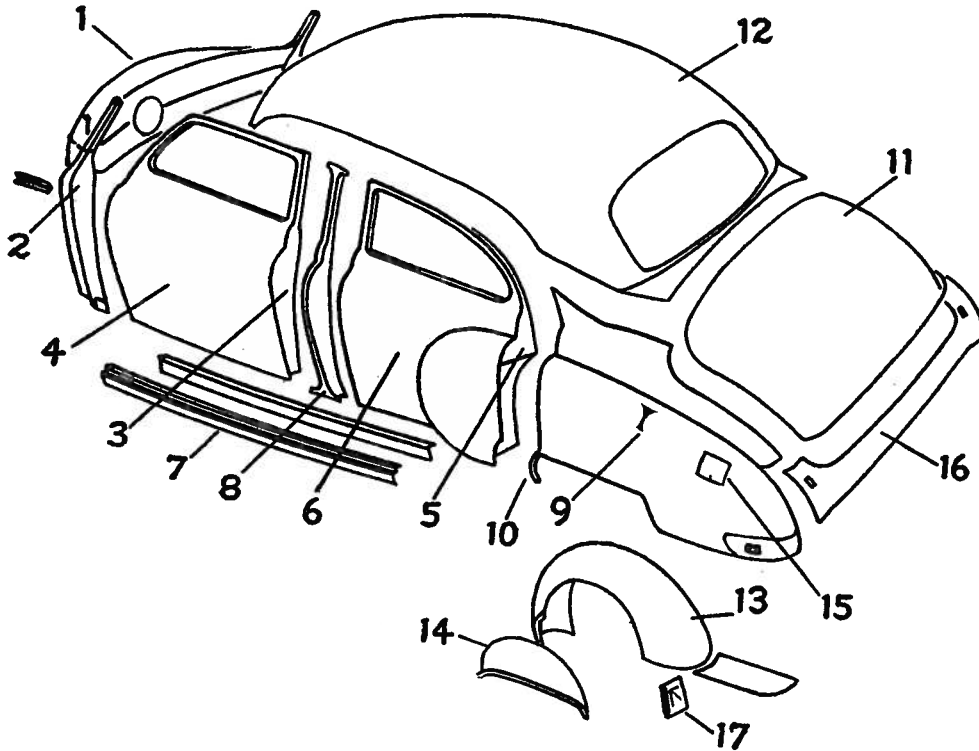
HOOD, LEFT SIDE

Item Part No.	Description	Price	Item Part No.	Description	Price
1 511358	Panel, up.	14.80	7 511493	Grille, hood	10.95
2 511633	Brkt., hinge	.50	8 511667	Emblem, hood	2.25
3 512700	Spring, hinge	1.35	9 511916	Pilot bkt. assy.	.65
4 511616	Hinge w/reinf.	10.30	10 506572	Spring	.05
5 511622	Link, frt.	.45	11 506573	Retainer	.06
5 511624	Link, rear	.45	12 511767	Hood catch assy.	.75
503865	Bumper, fender	.06	13 511905	Plate assy, low.	1.25
511961	Bumper, cap, frt.	.05	4562181	Weatherstrip	1.25
6 511506	Ornament	6.75			



BODY PARTS 1949 CHIEFTAIN PONTIAC

Models 25 and 27. ALL BODY STYLES



CAR BODY SHEET METAL, LEFT SIDE

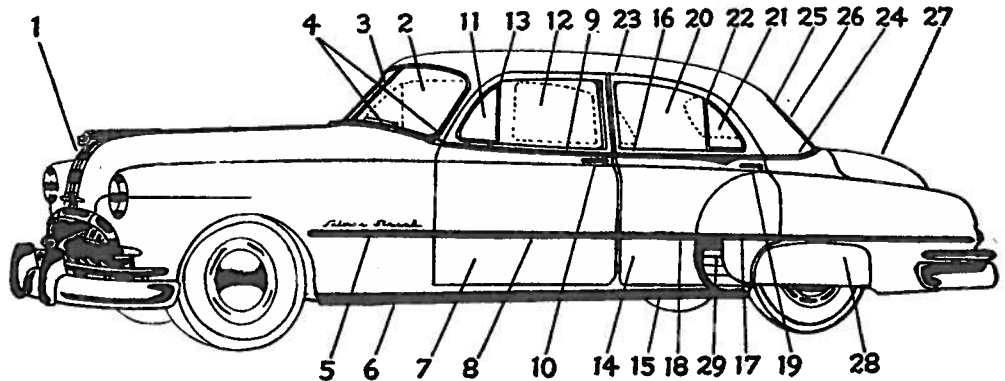
4 DOOR—W/O ¼ PL. WDW.

Item	Part No.	Description	Price
1	4561401	Cowl & dash assy.	101.75
2	4562037	Cowl side panel	6.75
3	4568767	Front dr.	40.00
4	4562782	Frt. dr. panel	14.00
5	4563375	Rear dr.	48.50
6	4562822	Rr. dr. panel	18.25
7	4169449	Rocker pl., out.	9.50
8	4561436	Center body pillar	15.75
9	4559266	Rear qtr. side pl., out.	25.35
10	4562349	Panel, rr. body lock pillar, out.	8.00
11	4571841	Deck lid	38.50
12	4564342	Roof panel
	4560564	Rear qtr. side pl. ext., in.	1.75
	4567307	Rear qtr. side pl. ext., out.	9.50
13	4559487	Panel, whhouse.	16.25
14	4560045	Cover, access. hole, W.H.	1.75
15	4562189	Dr., fuel tk.	1.75
16	4561127	Panel, rear end	6.50
	512460	Shield, rr. fdr. panel	6.50
17	4562407	Deflector	1.05

CAR BODY CHROME & TRIM MOLDINGS, LEFT SIDE

4 DOOR—W/O ¼ PL. WDW.

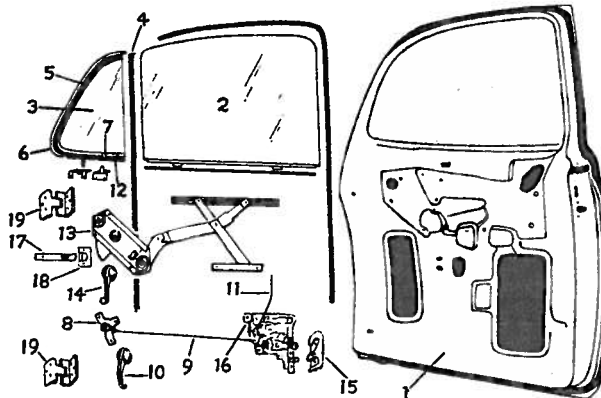
Item	Part No.	Description	Price
1	511493	Midg., hood grille	10.85
2	4561511	Glass, w/s.	20.00
3	4562245	Midg., w/s. div.	.85
4	Molding, w/s. reveal.		
	4560829	Upper	2.75
	4562379	Lower	1.95
	4560943	Lower corner	.90
5	511648	Midg., frt. fdr. side, 2569D	1.25
6	511525	Midg., rock. pl., frt.	4.25
7	4568767	Front dr.	40.00
8	4561801	Midg., frt. dr. low., 2569D	2.15
9	4561290	Midg., frt. dr. belt	1.85
10	4568323	Handle assy., frt. dr.
11	4561275	Vent. glass, frt. dr.	3.50
12	4559295	Glass, frt. dr.	9.00
13	4568921	Midg., glass div. channel	3.50
14	4563375	Rear dr.	46.50
15	511525	Midg., rck. pl. rr.	4.25
16	4561340	Midg., rr. dr. belt, 2569	1.75
16	4562260	Midg., rr. dr. belt, 2569D	4.75
17	4561994	Midg., rr. dr. fdr., 2569D	1.85
18	4561992	Midg., rr. dr., low., 2569D	1.35
19	4568328	Handle, rear dr.
20	4559296	Glass, rr. dr.	9.25
21	4559589	Vent. glass, rr. dr.	3.25
22	4559563	Midg., rr. wdw. div. chnl.	3.15
23	4561162	Drip midg.	.95
24	4561873	Midg., rr. qtr. belt	1.75
24	4561942	Midg., R. qtr. belt fndr., 2569D	2.75
25	4559993	Glass, rr. window	15.50
26	Midg., rear window reveal.		
	4561488	Upper	2.50
	4561502	Lower	1.95
	4561722	Lower corner	1.00
27	5118111	Midg., rr. lid	5.25
28	512460	Shield, rr. fndr. panel	6.50
29	4561856	Shield, rr. fndr. stone	6.00
29	4561988	Shield ext., rr. fndr. stone	4.75



FRONT DOOR HARDWARE, LEFT SIDE

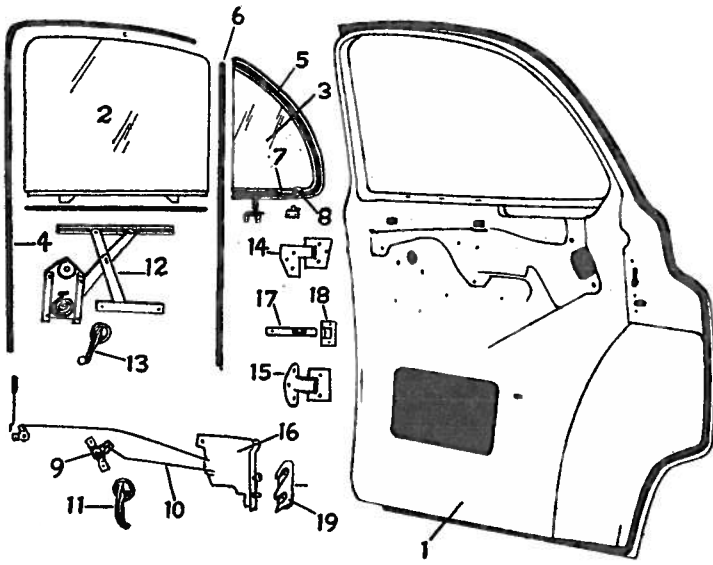
4 DOOR—W/O. ¼ PL. WIND.

Item	Part No.	Description	Price
1	4568767	Door	40.00
2	4559295	Glass	9.00
3	4561275	Vent. glass	3.50
4	4570103	Midg., garnish	9.75
4	4568921	Channel, div.	3.50
5	4168195	W/strip, vent.	1.25
6	4167985	Chnl., vent. glass	4.65
7	4167990	Lock butn., vent.	.15
8	4562602	Remote ctrl., lock	.85
9	4562397	Link, con.	.12
10	4564256	Handle, lock	1.25
	4565043	Escutcheon	.05
	4078002	Spring	.06
	4113807	Lever, lock ctrl.	.08
11	4560513	Rod, lock ctrl.	.12
12	4167989	Handle, vent. reg.	.75
13	4559559	Reg., wind.	4.65
14	4564414	Handle, wind. reg.	1.45
15	4561310	Striker, dr.	1.05
16	4560815	Lock assy.	4.25
17	4559989	Check link	.40
18	4561013	Support, link	.85
19	4559290	Hinge, up. & low.	2.15



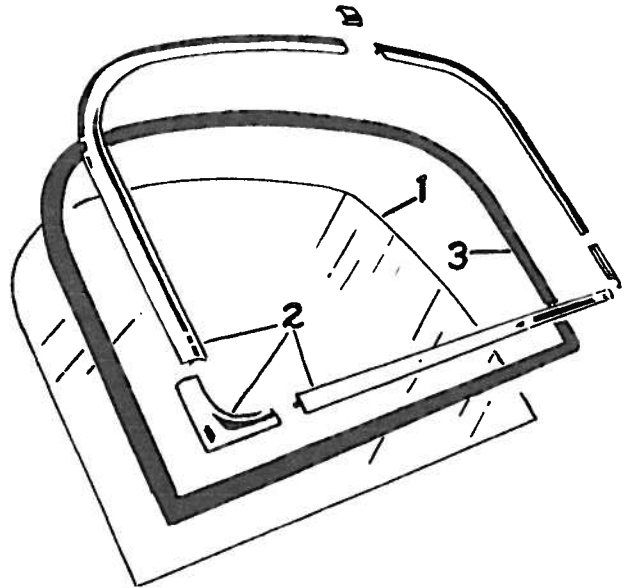
PONTIAC CHIEFTAIN 1949 BODY PARTS

Models 25 and 27. ALL BODY STYLES



REAR DOOR HARDWARE, LEFT SIDE
4 DOOR—W/O. ¼ PL. WIND.

Item Part No.	Description	Price	Item Part No.	Description	Price
1	4563375—Door	46.50	11	4564256—Handle, lock	1.25
2	4559296—Glass	9.25	12	4563043—Escutcheon	.05
3	4559589—Vent. glass	3.25	13	4078002—Spring	.06
4	4570111—Mldg. garnish	9.95	14	4561541—Regltr., wind.	3.95
5	4075477—Channel, run	1.95	15	4564414—Handle, wind. reg.	1.45
6	4168188—W/strip., vent. glass	1.25	16	4113807—Lever, in. lock ctrl.	.12
7	4559563—Channel, div.	3.15	17	4559412—Hinge assy., up.	2.50
8	4570274—Deflector, air	1.50	18	4559315—Hinge assy., low.	2.50
9	4167989—Handle, vent. reg.	.75	19	4560817—Lock assy.	4.50
10	4167990—Lock butn., vent.	.15		17 4561140—Check link	.40
				18 4561013—Support, link	.65
				19 4561310—Striker, dr.	1.05



REAR WINDOW

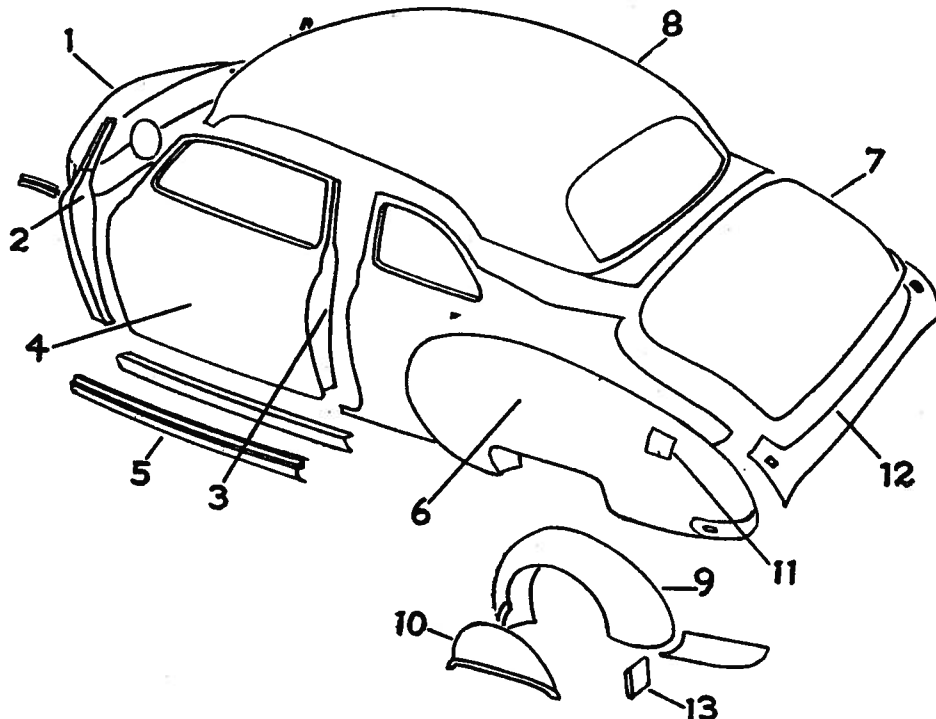
4 DOOR—W/O. ¼ PL. WIND.

Item Part No.	Description	Price
1	4559993—Glass	15.50
2	Molding, reveal.	
	4561488—Upper, L.	2.50
	4561502—Lower, L.	1.95
	4561722—Lower corner, L.	1.00
3	4564357—Channel, glass	3.75

CAR BODY SHEET METAL, LEFT SIDE

2 DOOR—CLOSED TYPES

Item Part No.	Description	Price
1	4561401—Cowl & dash assy.	101.25
2	4562037—Cowl side panel	6.75
3	4560306—Front dr., 2527, 27B	44.75
4	4560304—Front dr., 2511	44.75
5	4562835—Front dr. panel, 2527, 27B	15.55
6	4562830—Front dr. panel, 2511	15.55
7	4169449—Rocker panel, out.	9.50
8	Rear Quarter side panel, out.	
	4560017—2527, 27B	38.25
	4559264—2511	38.25
9	Rear quarter side panel ext., in.	
	4562223—2527	12.00
	4564861—2527B	5.50
	4562599—2511	14.00
10	4571839—Deck lid, 2527, 27B	45.00
11	4571841—Deck lid, 2511	38.50
12	4565080—Roof panel, 2527, 27B	46.50
13	4564767—Roof panel, 2511	49.50
14	Rear quarter side panel ext., out.	
	4567309—2527	10.00
	4567307—2511	9.50
15	4559489—Panel, whhouse., 2527, 11	16.25
16	4560045—Cover, access. hole	1.75
17	4562189—Door, fuel tank	1.75
18	4561127—Panel, rear end	6.50
19	512480—Shield, rr. fdr. panel	6.50
20	4562407—Deflector	1.05

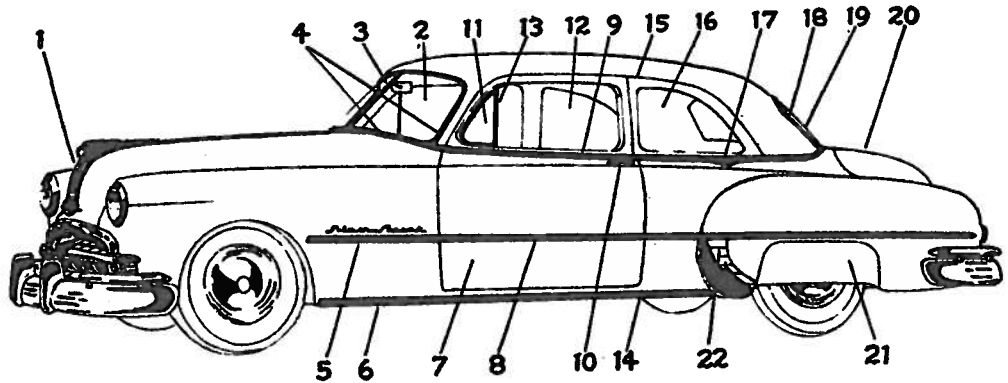


BODY PARTS 1949 CHIEFTAIN PONTIAC

Models 25 and 27. ALL BODY STYLES

CAR BODY CHROME & TRIM MOLDINGS, LEFT SIDE 2 DOOR-CLOSED TYPES

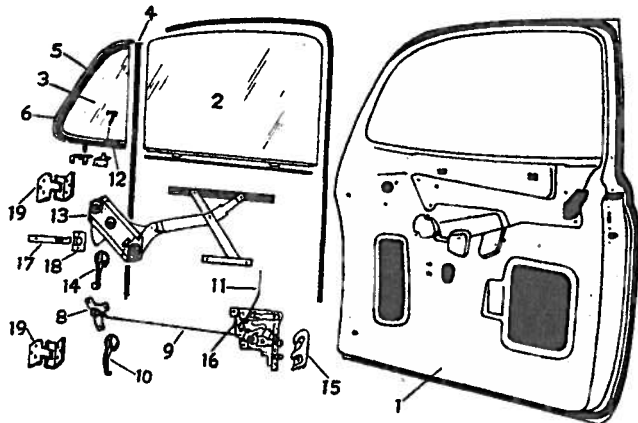
Item	Part No.	Description	Price
1	511493	—Midg. hood grille..	10.85
2	4561511	—Glass, w/s.	20.00
3	4562245	—Midg. w/s. div.85
4		Midg. w/s. reveal.	
	4560828	—Upper	2.75
	4562378	—Lower	1.95
	4560943	—Lower corner.	.90
5	511648	—Midg. frt. fndr., side, 2527D, 11D	1.25
6	511325	—Midg. rock. pl. frt.	4.25
7	4560306	—Frt. door, 2527, 27B	44.75
7	4560304	—Frt. door, 2511	44.75
8	4561602	—Midg. frt. dr. low.	2.15
9	4561282	—Midg. frt. dr. belt, 2527, 11	2.00
10	4568323	—Handle assy., frt. dr.	
11	4561275	—Vent. glass, frt. dr.	3.50
12	4559951	—Glass, frt. dr., 2527	11.50
12	4559940	—Glass, frt. dr., 2511	11.50
13	4568917	—Midg. window div. chnl.	3.50
14	511525	—Midg. rock. pl. rr.	4.25
15	4559985	—Drip midg., frt. 2527, 1160
15	4559999	—Drip midg., rr., 252760
15	4559997	—Drip midg., rr., 251175
16	4561939	—Glass, rr. qtr. wind., 2527, 27D	7.75
16	4361036	—Glass, rr. qtr. wind., 2511	11.25



Item	Part No.	Description	Price
16	4562015	—Glass, rr. qtr. wind., 2527B, 27BD	6.30
17		Molding, rear quarter belt.	
	4561856	—Side, 2527, 27B	3.00
	4568541	—Front, 2527D, 27BD	5.75
	4568543	—Rear, 2527D, 27BD	2.25
	4562044	—2511	3.25
	4568736	—Front, 2511D	5.75
	4568615	—Rear, 2511D	2.25

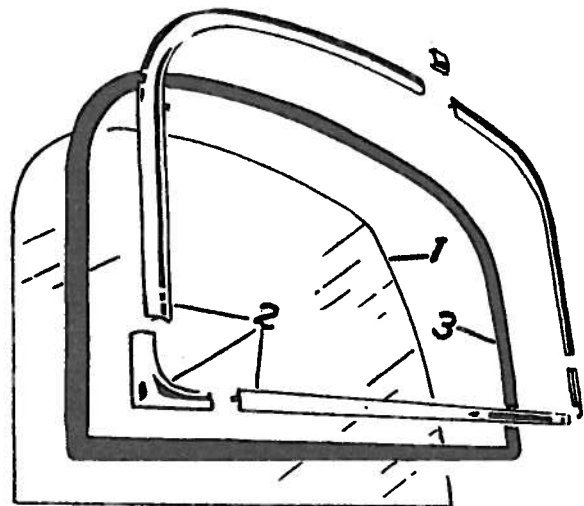
Item	Part No.	Description	Price
	4561946	—Low, 2527D, 27BD, 11D	1.35
	4561944	—R. fndr., 2527D, 27BD, 11D	3.25
18	4561843	—Glass, rr. wind., 2527	13.75
18	4559993	—Glass, rr. wind., 2511	15.50
19		Molding, rear window reveal.	
	4561467	—Upper, 2527	2.50
	4561492	—Lower, 2527	

Item	Part No.	Description	Price
	4561618	—Low. corner, 2527	1.00
	4561488	—Upper, 2511	2.50
	4561502	—Lower, 2511	1.95
	4561722	—Low. corner, 2511	1.00
20	511811	—Midg., rr. lid, 2511.	5.25
20	511813	—Midg., rr. lid, 2527, 27B	6.00
21	512460	—Shield, rr. fndr. panel	6.50
22	4562019	—Shield, rr. fndr. stone	7.50



FRONT DOOR HARDWARE, LEFT SIDE 2 DOOR-CLOSED TYPES

Item	Part No.	Description	Price
1	4560306	—Dr., 2527, 27B	44.75
1	4560304	—Dr., 2511	44.75
2	4559951	—Glass, 2527	11.50
2	4559940	—Glass, 2511	11.50
3	4561275	—Vent. glass	3.50
	4570109	—Midg., garnish, 2527	10.15
	4570099	—Midg., garnish, 2511	10.15
4	4568917	—Channel, div.	3.50
5	4186185	—W/strip, vent.	1.25
6	4167985	—Chnl., vent. glass.	4.65
7	4167990	—Lock butn., vent..	.15
8	4562602	—Remote ctrl., lock85
9	4561812	—Link, con.12
10	4564256	—Handle, lock	1.25
	4565043	—Escutcheon05
	4078002	—Spring06
11	4560513	—Rod, lock ctrl.12
12	4167989	—Handle, vent. reg.75
13	4561303	—Regltr., wind.	5.25
14	4564414	—Handle, wind. reg.	1.45
15	4561310	—Striker, dr.	1.05
16	4560815	—Lock assy.	4.25
17	4559989	—Check link40
18	4561013	—Support, link65
19	4559290	—Hinge, up. & low..	2.15

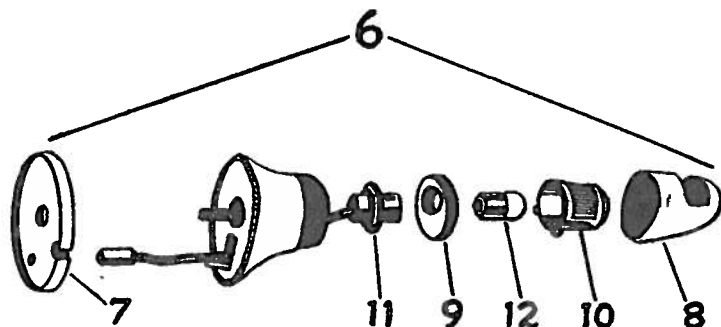


REAR WINDOW 2 DOOR-CLOSED TYPES

Item	Part No.	Description	Price
1	4561843	—Glass, 2527	13.75
1	4559993	—Glass, 2511	15.50
2		Molding, reveal.	
	4561467	—Upper, 2527	2.50
	4561492	—Lower, 2527	
	4561618	—Lower corner, 2527	1.00
	4561488	—Upper, 2511	2.50
	4561502	—Lower, 2511	1.95
	4561722	—Lower corner, 2511	1.00
3	4564380	—Chnl., glass, 2527..	3.50
3	4564357	—Chnl., glass, 2511..	3.75

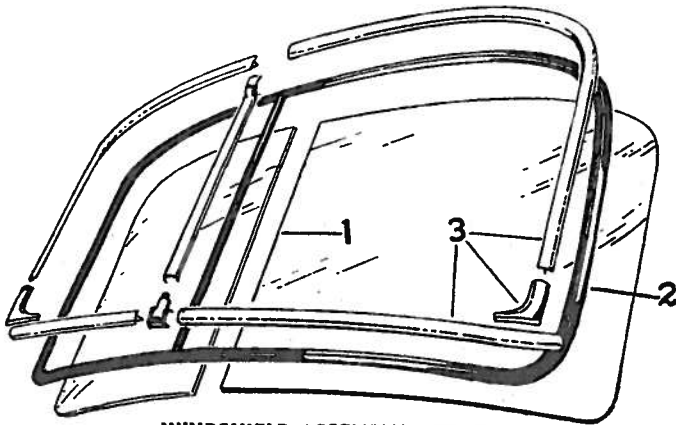
LICENSE LAMP

Item	Part No.	Description	Price
6	927582	—Lic. lamp assy.	3.35
7	512535	—Pad12
8	5937942	—Cover, lamp55
9	5937940	—Gasket10
10	5937941	—Lens40
11	5937937	—Wire assy.55
12	142303	—Bulb10
	5938180	—Bar lic. sup.50



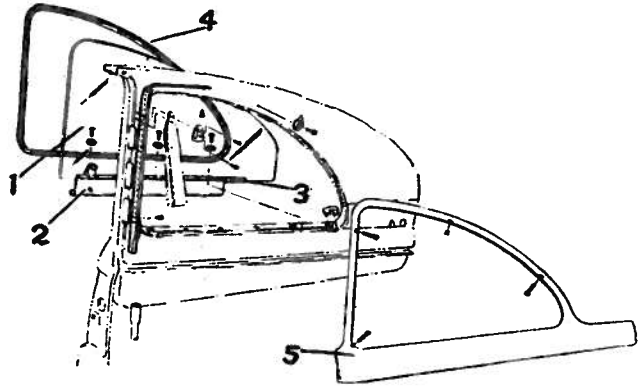
PONTIAC CHIEFTAIN 1949 BODY PARTS

Models 25 and 27. ALL BODY STYLES



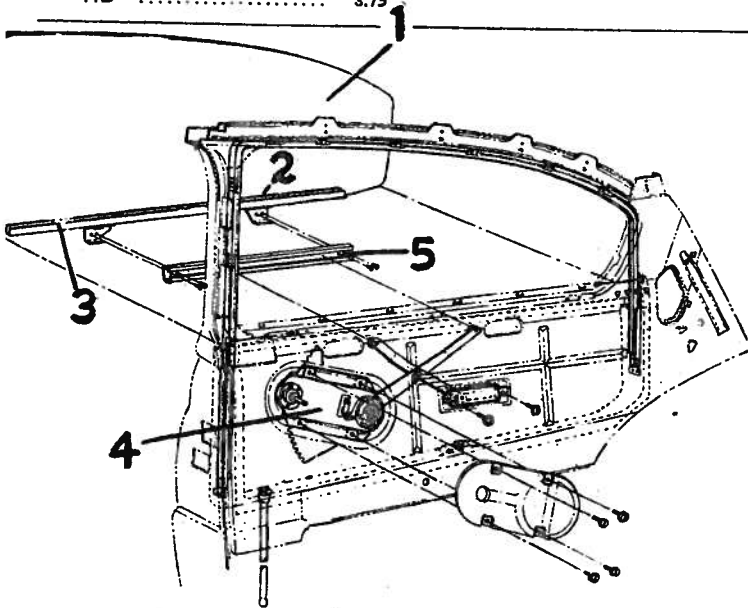
WINDSHIELD ASSEMBLY, LEFT SIDE
2 DOOR—CLOSED TYPES

Item Part No.	Description	Price	Item Part No.	Description	Price
1 4561511	Glass	20.00	4113902	Support	1.25
4568472	Escutcheon, up.	.23	2 4564076	Chnl., w/s. glass	6.25
4568471	Escutcheon, low.	.23	3 Molding, windshield reveal.		
4562763	Mldg., garnish	2.65	4560829	Upper	2.75
4568114	Mldg., w/s. div., in.	.80	4562379	Lower	1.85
513066	Mirror, R. view	1.75	4560943	Lower corner	.90
4170772	Sunshade	3.50	4562245	Division	.85
4170773	Sunshade, 2527D, 11D	3.75	4575454	Clip	.10



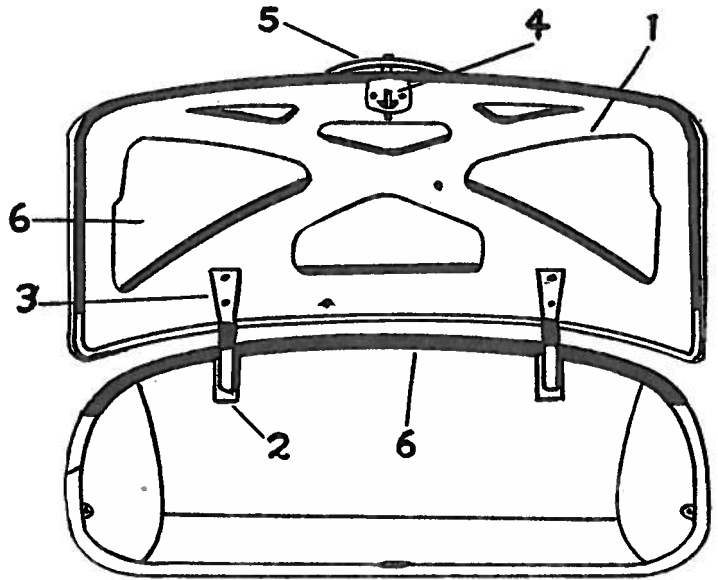
REAR QUARTER WINDOW HARDWARE, LEFT SIDE
2 DOOR—CLOSED TYPES

Item Part No.	Description	Price	Item Part No.	Description	Price
1 Glass, rear quarter window.			4 4562385	W/strip., 2527, 27D	.20
4561939—2527, 27D	7.75		5 Molding, garnish,		
4562015—2527B, 27BD	6.30		4570117—2527, 27D	9.50	
2 Sash channel, lower.			4570119—2527B, 27BD	7.50	
4114228—2527, 27D	.85		4564414—Handle, regitr.	1.45	
3 603954—Filler, low. chnl.	1.90				



REAR QUARTER WINDOW HARDWARE, LEFT SIDE
2 DOOR—CLOSED TYPES

Item Part No.	Description	Price	Item Part No.	Description	Price
1 4561036	Glass	11.25	4 4561574	Regitr., wind.	3.80
2 4561167	Sash channel, low.	.60	4564414	Handle, regitr.	1.45
3 603954	Filler, low. channel	1.90	5 4099974	Cam	.35
4570115	Garnish midg.	9.50			

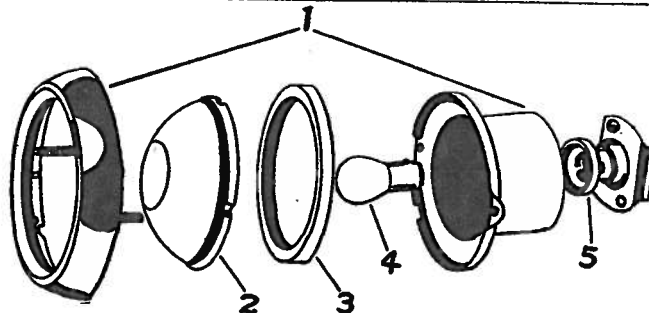


REAR DECK LID, LEFT SIDE
ALL MODELS

Item Part No.	Description	Price
1 4571839	Deck lid, 2527, 27B, 67DX	45.00
1 4571841	Deck lid, 2511, 69	38.50
2 4167938	Hinge assy., 2527	1.55
2 4167930	Hinge assy., 2511, 69	1.55
2 4167941	Hinge assy., 2567	2.35
3 4167939	Hinge strap, 2527	2.85
3 4167932	Hinge strap, 2511, 69	2.85
3 4167942	Hinge strap, 2567	1.75
4 4560686	Deck lock	2.75
5 4571842	Handle, lock	8.85
4170868	Housing, lock	2.25
6 4573805	W/strip., gutter, 2527, 67DX	2.85
6 4565926	W/strip., gutter, 2511, 69	2.85
6 4573810	W/strip., lid, 2527, 67DX	3.35
6 4571872	W/strip., lid, 2511, 69	2.65

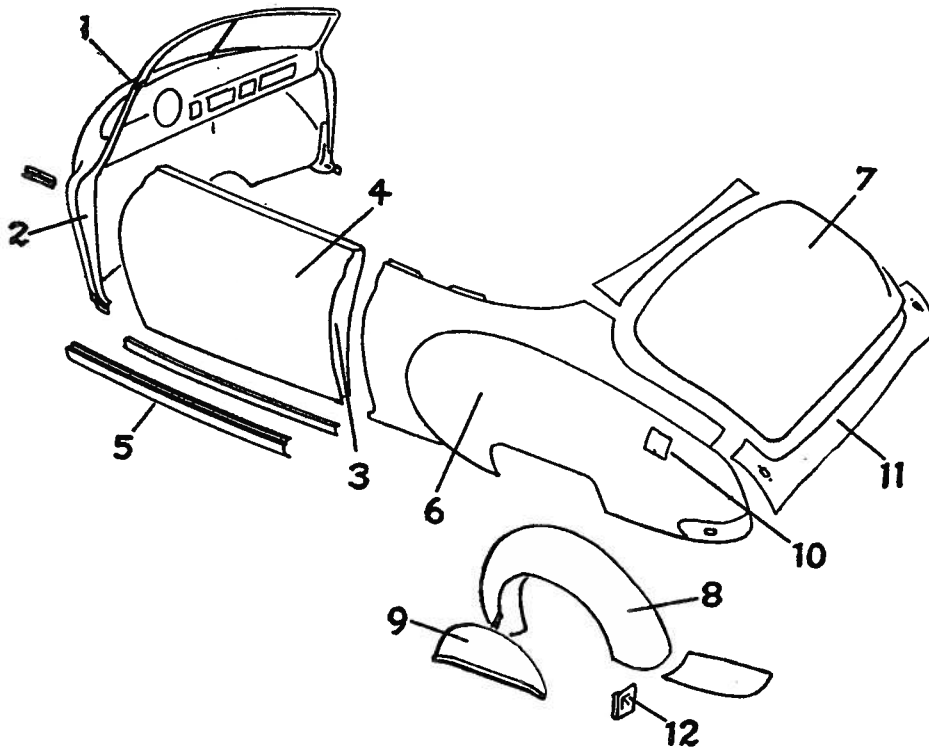
TAIL LAMP

Item Part No.	Description	Price
1 927607	Tail lamp & brkt. assy.	5.80
2 5937590	Lens	.95
3 5937599	Gasket	.20
4 145416	Bulb	.33
5 5938601	Socket assy.	.35



BODY PARTS 1949 CHIEFTAIN PONTIAC

Models 25 and 27. ALL BODY STYLES



CAR BODY SHEET METAL

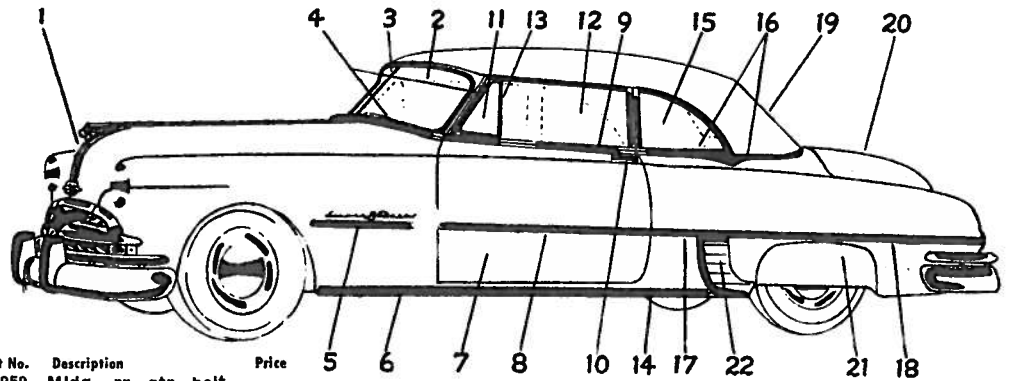
2 DOOR—CONVERTIBLE TYPE

Item	Part No.	Description	Price
1	4561418	Cowl & dash assy.	6.75
2	4562037	Cowl side panel ..	44.75
3	4568533	Front door	9.50
4	4560093	Frnt. dr. panel, out.	36.25
5	4169449	Rocker panel, out.	5.25
6	4560021	Rear qtr. side pl., out.	45.00
	4564154	Rear qtr. side pl. ext., in.	16.25
7	4571839	Deck lid	1.75
	4568707	Rear qtr. side pl. ext., out.	9.50
8	4559489	Panel, whhouse...	1.75
9	4560045	Cover, access. hole	1.75
10	4562189	Dr., fuel tank	6.50
11	4561127	Panel, rear end ..	6.50
	512460	Shield, rr. fndr. panel	1.05
12	4562407	Deflector	

CAR BODY CHROME & TRIM MOLDINGS, LEFT SIDE

2 DOOR—CONVERTIBLE TYPE

Item	Part No.	Description	Price
1	511493	Mldg., hood grille..	10.95
2	4561792	Glass, w/s.	19.00
3	4562247	Mldg., w/s. div.85
4	4560824	Mldg., w/s. reveal, up.	2.75
4	4562379	Mldg., w/s. reveal, low.	1.95
4	4560943	Mldg., w/s. reveal, low, corner	.90
5	511648	Mldg., frt. fndr., side	1.25
6	511525	Mldg., rock. pl., frt.	4.25
7	4568533	Front dr.	44.75
8	4562754	Mldg., frt. dr., low.	2.15
9	4565182	Mldg., frt. dr. belt	2.00
10	4567849	Handle assy., frt. dr.	3.50
11	4561184	Vent. glass, frt. dr.	10.75
12	4560906	Glass, frt. dr.	1.35
13	4168058	Mldg., wind. div. chnl.	3.50
14	511525	Mldg., rock. pl., rr.	4.25
15	4562415	Glass, rr. qtr. wind.	7.25
16	4565336	Mldg., rr. qtr. belt, frt.	4.25
16	4565338	Mldg., rr. qtr. belt, rr.	2.25

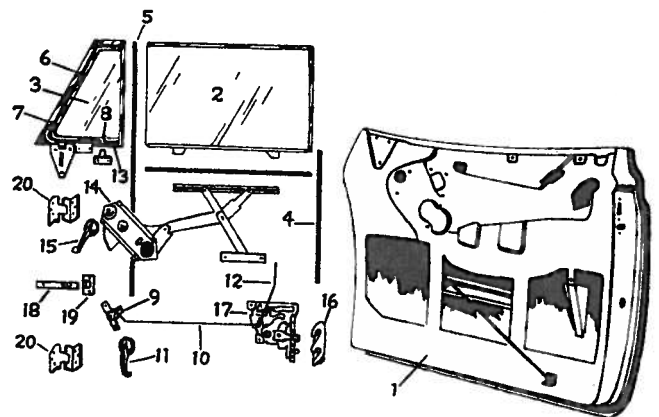


Item	Part No.	Description	Price
17	4561959	Mldg., rr. qtr. belt pl., low.	3.25
18	4561944	Mldg., rr. qtr. belt, fndr.	4.20
19	4117576	Glass, rr. wind. ...	6.00
20	511813	Mldg., rr. lid	6.50
21	512460	Shield, rr. fndr. panel	7.50
22	4562019	Shield, rr. fndr. stone	

FRONT DOOR HARDWARE, LEFT SIDE

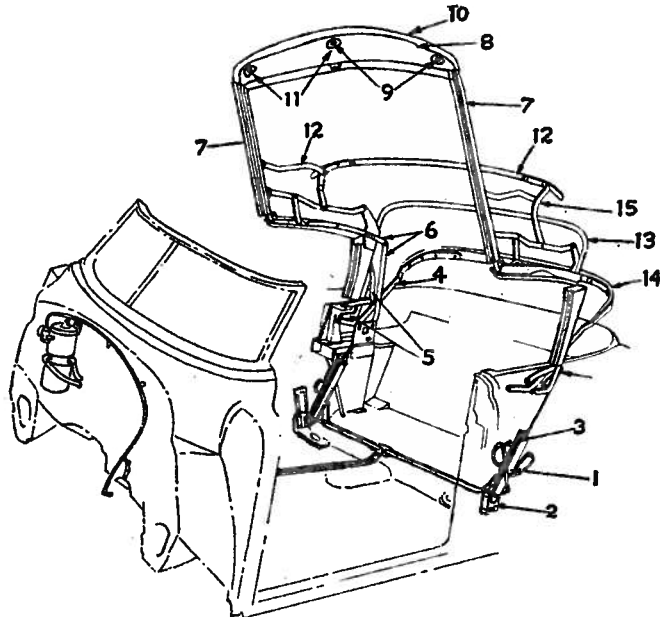
2 DOOR—CONVERTIBLE TYPE

Item	Part No.	Description	Price	Item	Part No.	Description	Price
1	4568533	Door	44.75	12	4561347	Rod, lock ctrl.	.20
2	4560906	Glass, dr.	10.75	13	4167989	Handle, vent. reg.	1.45
3	4561184	Vent. glass	3.50	14	4581303	Regitr., wind.	5.25
4	4556937	Channel, run	2.10	15	4564414	Handle, wind. reg.	1.45
5	4168058	Channel, div.	3.50	16	4561310	Striker, dr.	1.05
6	4169183	W/strip., vent. ...	3.25	17	4560815	Lock assy.	4.25
7	4168056	Chnl., vent. glass..	5.10	18	4559989	Check link40
8	4167990	Lock butn., vent.	.15	19	4561013	Support, link65
9	4562602	Remote ctrl., lock	.12	20	4559290	Hinge, up. & low.	2.15
10	4562499	Link, con.	1.25				
11	4564256	Handle, lock					



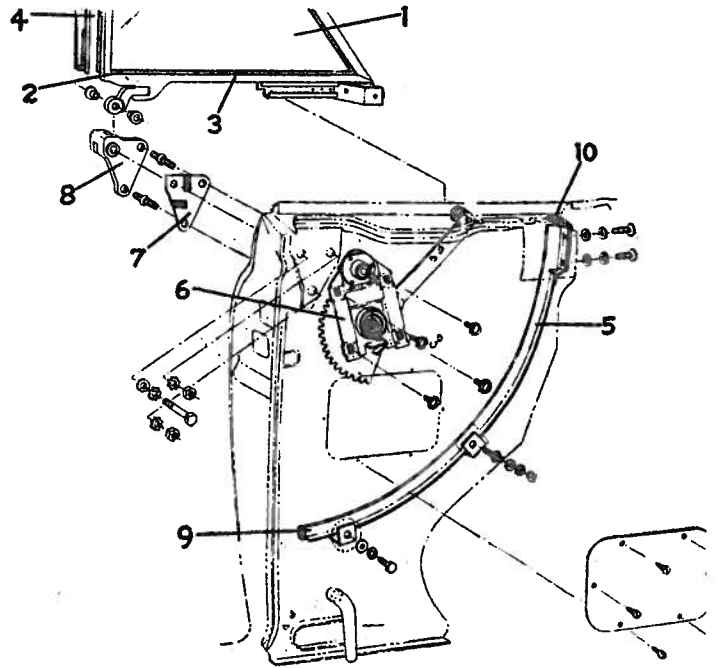
PONTIAC CHIEFTAIN 1949 BODY PARTS

Models 25 and 27. ALL BODY STYLES



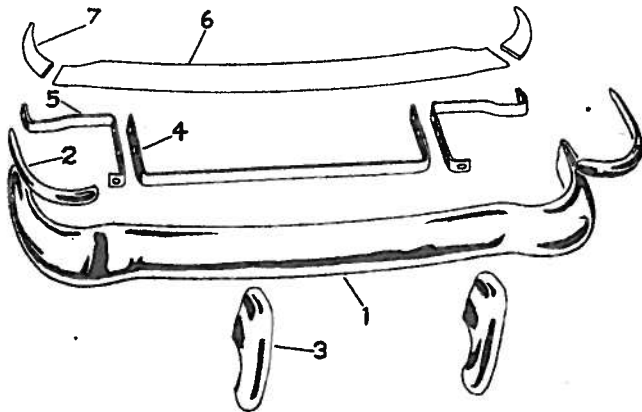
HYDRAULIC TOP-LIFT ASSEMBLY, LEFT SIDE
2 DOOR—CONVERTIBLE

Item Part No.	Description	Price	Item Part No.	Description	Price
1	4567324—Cyl. lift assy.	11.50	8	4563786—W/strip, frt.	1.35
2	4565480—Support	1.10	8	4566232—W/strip, rr.	2.25
3	348750—Tube	4.00	9	4562304—Catch	2.75
4	4565305—Slat iron	2.75	10	4565864—Rail assy., frt.	29.75
5	Link, auxiliary bow.		11	4563592—Plate, center	.95
	4567172—Upper	1.65	11	4563597—Plate, side	.95
	4567210—Lower	2.25	12	4565300—Bow, No. 1, center	6.50
	4565302—Front	2.60	12	4565608—Bow, No. 1, side	18.75
6	4567248—Link assy., ctrl.	9.20	13	4569105—Bow, auxiliary	4.60
7	4567961—Side rail, frt.	7.90	14	4563554—Bow, rear	6.95
7	4567959—Side rail, rr.	18.50	15	4563291—Slat iron, aux. bow	2.90



REAR QUARTER WINDOW HARDWARE, LEFT SIDE
2 DOOR—CONVERTIBLE TYPES

Item Part No.	Description	Price	Item Part No.	Description	Pri
1	4562415—Glass	7.25	6	4562705—Regltr., wind.	3.1
2	4170890—Sash channel, up.	7.75	7	4564414—Handle, regltr.	1.2
2	4170892—Sash channel, low.	14.85	7	4562264—Adj. plate	.7
3	603954—Filter, low. chnl.	1.90	8	4562210—Hinge, female	1.1
4	4562593—W/strip.	1.65	9	4131772—Bumper, low.	.1
5	4562795—Guide, wind.	3.25	10	4132055—Bumper, up.	.1

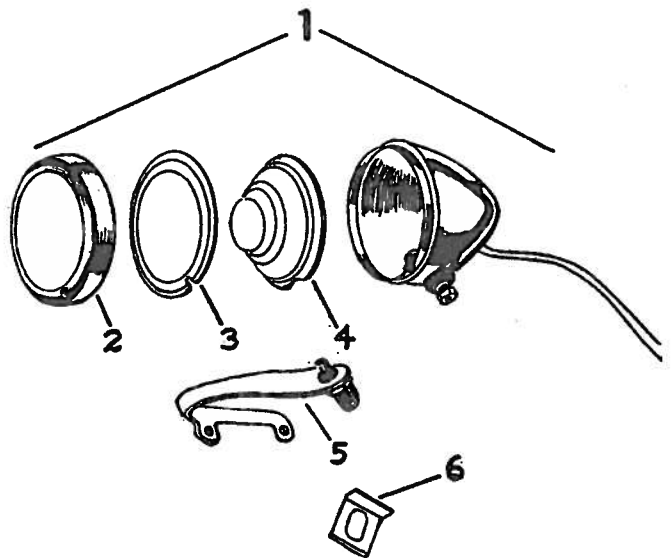


REAR BUMPER, LEFT SIDE

Item Part No.	Description	Price
1	511757—Bar	18.25
2	511952—Guard, out.	4.60
3	511803—Guard, in.	4.80
4	511785—Back bar, in.	5.50
5	511782—Back bar, out.	2.25
6	511893—Apron	3.75
7	511700—Apron ext. assy.	1.75

REAR WINDOW
2 DOOR—CONVERTIBLE TYPE
Not illustrated

Item Part No.	Description	Price
411576	Glass	4.20
4567262	Frame, glass, out.	4.85
4141516	Frame, glass, in...	2.60



BACK UP LAMP

Item Part No.	Description	Price
1	928041—Back-up lamp assy.	4.50
2	5938298—Door	1.40
3	5935956—Gasket	.15
4	5938297—Lens	.45
5	512325—Sup., switch, S.T.	.20
6	512323—Stop, switch	.10

FLAT RATE 1949 CHIEFTAIN PONTIAC

Models 25 and 27. ALL BODY STYLES

Chilton Job No.	Chilton Labor Price	Chilton Job No.	Chilton Labor Price	Chilton Job No.	Chilton Labor Price	Chilton Job No.	Chilton Labor Price	Chilton Job No.	Chilton Labor Price	Chilton Job No.	Chilton Labor Price	Chilton Job No.	Chilton Labor Price	Chilton Job No.	Chilton Labor Price		
A		A-continued		A-continued		B-continued		C-continued		D		E-continued		E-continued			
1	4.00	6	20.00	20	6.50	9	28.00	3	28.00	1	4.00	2	28.00	12	12.00	F-continued	
1a	3.50	7	3.00	20x	10.00	10	4.50	4	2.00	1a	3.50	3	28.00	2	20.00	G	
2	2.50	8	2.50			11	3.50	5	4.00	2	2.50	4	28.00	3	28.00	1	120.00
3	6.50	9	6.25			12	4.00	6	4.50	3	2.50	4	28.00	2	28.00	2	28.00
4	18.50	10	6.75			13	3.00	7	2.00	4	6.50	5	32.00	3	28.00	3	28.00
4a		11	3.00	1	4.00	14	3.00	8	3.75	5	12.00	6	30.00	4	7.00	4	18.00
4b	1.00	12	5.75	1a	7.60	15	1.25	9		6	16.00	7	50.00	5	2.00	5	32.00
4c	8.00	13	3.00	2	20.00			10	4.50	7	12.00	8	20.00	6	3.75	6	18.00
5	12.75	14	3.50	3	28.00			11	3.50	8	7.00	9	4.00	7	2.00	7	18.00
5a	4.00	15	1.00	4	2.00			12	4.00	9	3.75	10	4.50	8	4.00	8	75.00
5b	4.00	16		5	3.75			13	3.00	10	4.50	11	4.00	9	4.00	9	40.00
5c	4.00	17	1.00	6	4.50	1	4.00	14	3.00	11	75.00	12	3.50	10	4.00	10	45.00
5d	6.00	18	10.00	7	2.00	1a	7.00	15	1.25	12	40.00	13	4.00	11	12.00	11	12.00
				8	3.75	2	20.00			13	45.00	14	3.00	12	12.00	12	12.00
										14				13	12.00	13	12.00
														14	3.00	14	12.00

FRAME AND WIRING DIAGRAMS NOT AVAILABLE AT TIME OF GOING TO PRESS

STEERING GEOMETRY

CASTER: 1/2 to 1 degree negative, 3/4 desired.

CAMBER: 1/4 positive to 1/4 degree negative, zero desired.

TOE-IN: Zero to 1/16 inches.

KING PIN INCLINATION: 5 degrees.

ADJUSTMENT

CASTER is controlled by full turns of the upper eccentric pin.

CAMBER is controlled by eccentric upper pin and full range is obtained in one-half turn.

TOE-IN: Should be adjusted at both tie-rods.

