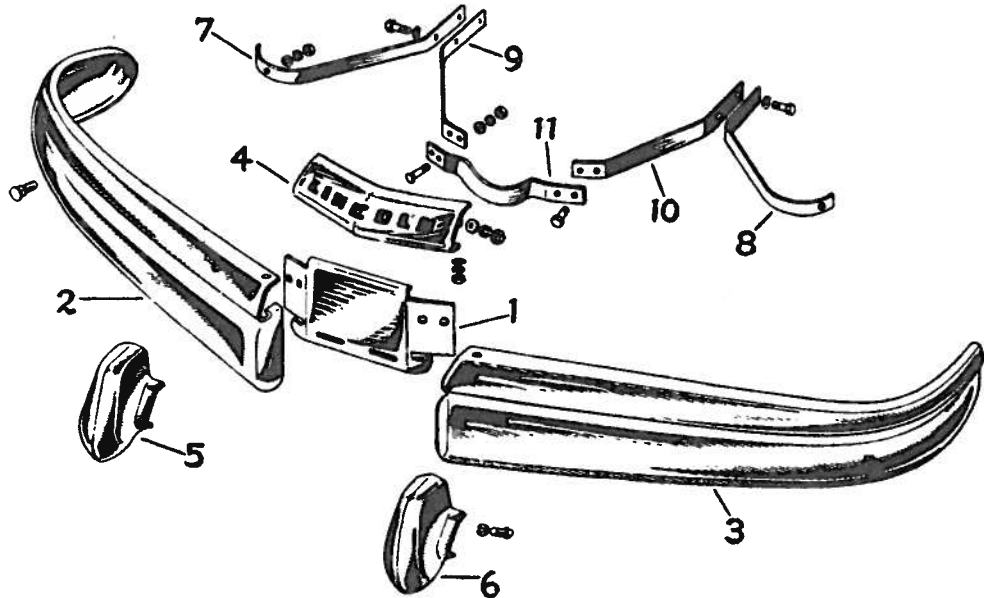


LINCOLN 1949 BODY PARTS

Series 9L. ALL BODY STYLES

FRONT BUMPER ALL MODELS

Item	Part No.	Description	Price
1	7EH-17752	Impact bar, C.	\$13.05
2	7EH-17756	Imp. bar, R.H.	30.80
3	7EH-17757	Imp. bar, L.H.	30.80
4	7EH-17762	Imp. bar, upper	11.60
5	8H-17996	Guard, R.H.	8.75
6	8H-17997	Guard, L.H.	8.75
7	7EH-17754-A	Hanger, R.H.	3.65
8	7EH-17755-A	Hanger, L.H.	3.65
9	7EH-17766-A	Hanger, R.H.	3.40
10	7EH-17767-A	Hanger, L.H.	3.40
11	7EH-17859	Reinfmt.	2.55



FRONT FENDER ALL MODELS

Item	Part No.	Description	Price
1	8L-16006A	Fender	53.00
2	8L-16025	Mldg. & stud assy.	11.20
3	8L-16724	Medallion	1.60
4	8L-16070-A	Anti-sqk.	.15
5	8L-16055	Apron assy.	13.25
6	8H-8403	Anti-sqk.	.25

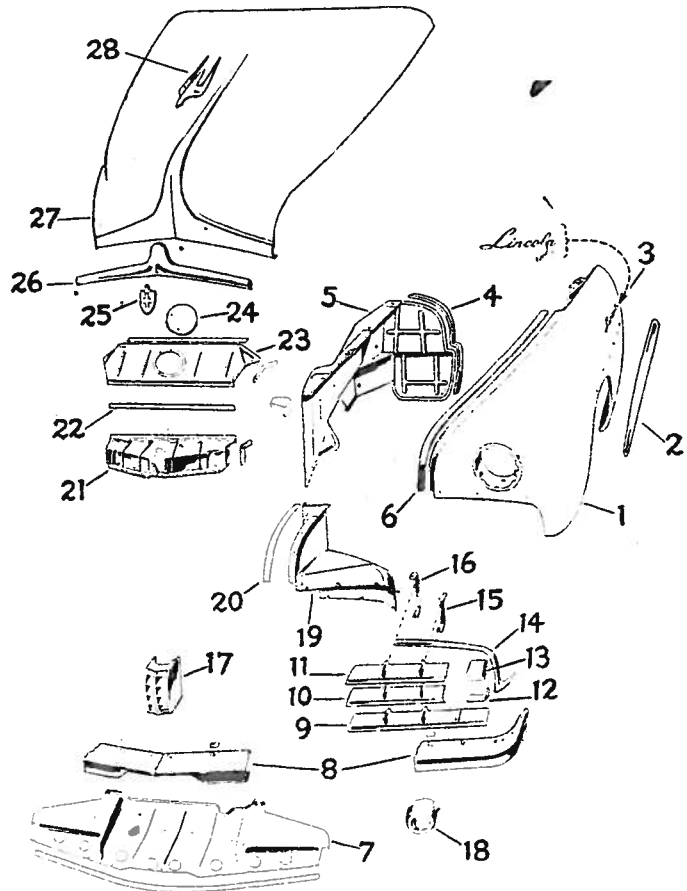
DEFLECTOR AND GRILLE ALL MODELS

Item	Part No.	Description	Price
7	8H-8209	Shield assy., rad. splash	9.65
8	8H-17744	Deflector assy., stone	19.30
9	7EH-8151	Grille, L.H., low	13.25
10	7EH-8173	Grille, L.H., int.	10.25
11	7EH-8205	Grille, L.H., up.	10.25
12	7EH-8379-B	Grille, L.H., outer inter.	1.10
13	7EH-8377	Grille, L.H., out. upr.	1.95

Item	Part No.	Description	Price
14	8H-16211	Mldg., frt. fond. grille	7.00
15	7EH-8496	Sup. assy. rad., outer	.55
16	7EH-8447	Sup. assy. rad., inner	.55
17	7EH-8241	Grille, center	13.75
18	7EH-8207	Road lamp hng., L.H.	8.00
19	8M-8311	Deflector assy., air	10.50
20	8H-8405	Anti-sqk.	.25

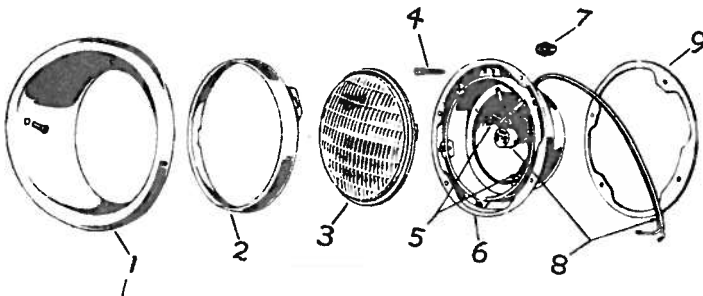
HOOD ALL MODELS

Item	Part No.	Description	Price
21	7EH-16774	Support assy.	5.15
22	8H-8412	Anti-squeak	
23	8L-8308	Panel, air deflect.	
24	7EH-8346	Plate	
25	5EH-16607	Emblem	2.50
26	7EH-8216	Ornament	87.50
27	8L-16612-B	Hood panel	9.10
28	8L-16850	Ornament	



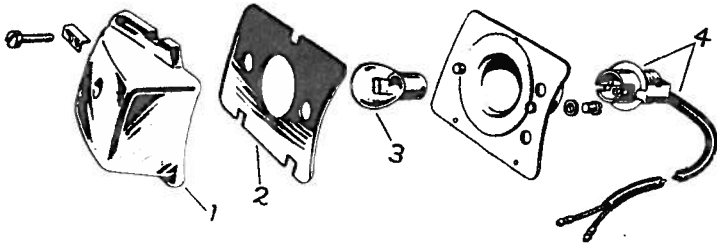
HEADLAMP ALL MODELS

Item	Part No.	Description	Price
8L-13002		Lamp assy., loss bulb	6.50
1	7EH-13046	Door	4.50
2	11A-13018-A	Ring, polished	.55
3	09A-13007	Bulb	1.30
4	11A-13032	Adj. screw	.10
5	11A-13031	Springs	.05
6	8L-13002	Assem. less bulb	6.50
7	51A-13091-B	Grommet	.05
8	51A-13076-B	Wiring assy.	1.15
9	11A-13044-A	Gasket	.30



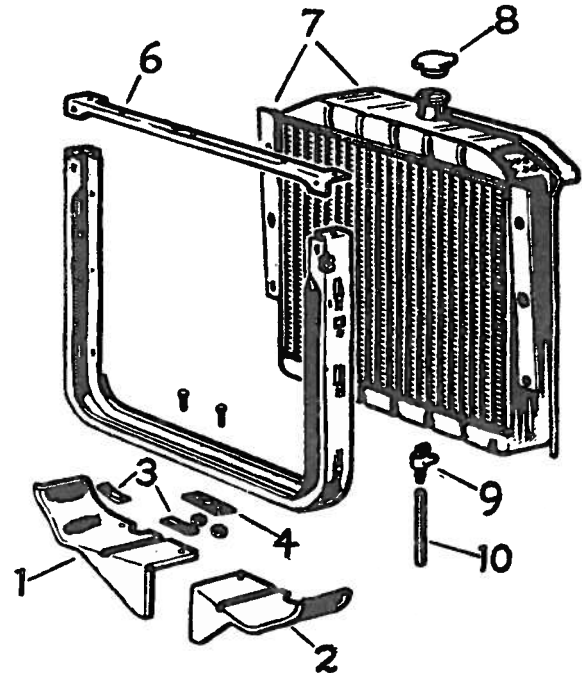
BODY PARTS 1949 LINCOLN

Series 9L. ALL BODY STYLES



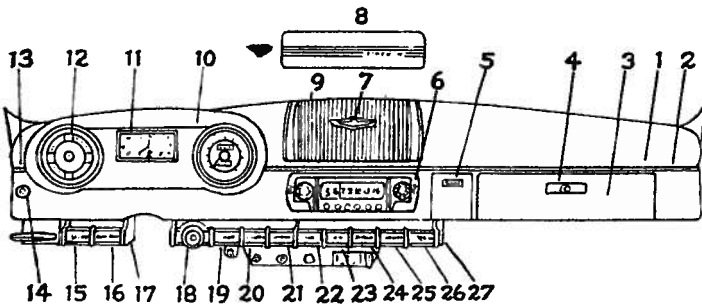
PARKING LAMP ALL MODELS

Item Part No.	Description	Price	Item Part No.	Description	Price
7EH-13201	Lamp assy., L.H.	4.15	3 11A-13465	Bulb	.30
1 7EH-13209	Lens	.70	4 7EH-13234	Wiring & socket assy.	1.35
2 7EH-13211	Gasket	.15			



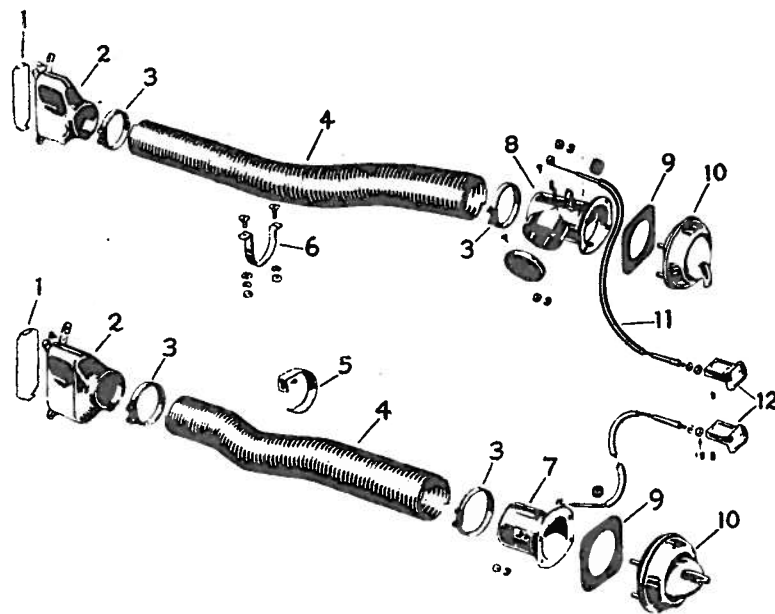
RADIATOR ALL MODELS

Item Part No.	Description	Price	Item Part No.	Description	Price
1 8L-16554	Shield, rad. sup., R.H.	1.30	8L-16138	Support	8.50
2 8L-16555	Shield, rad. sup., L.H.	1.30	6 8L-16156	Bar	1.25
3 8M-6780	Anti-squeak	.02	7 8EL-8005-A	Radiator	87.30
4 8M-16186	Pad	.10	8 26H-8100-B	cap	1.50
			9 8CM-8115-A	Drain cock	.65
			10 59C-8081	Extension	.25



INSTRUMENT PANEL ALL MODELS

Item Part No.	Description	Price
1 8L-7304320-AA	Panel, inte.	11.85
2 8L-7304332	Mldg. trim., R.H.	1.95
3 8L-7306024	Panel, door	3.25
4 8L-7006081	Lock	5.70
5 8L-7004800-B	Receipt, ash.	2.75
6 8L-18842	Bezel, radio cont.	1.10
7 8L-7004490	Ornament, grille	3.15
8 8L-7304371	Cov., rad. open.	2.50
9 8L-7304432-A	Grille	6.10
10 8L-7304318	Housing, inst. cluster	7.45
11 8L-15010	Bezel, clock	.90
12 8L-10862	Bezel, speed. & inst. cluster	.95
13 8L-7304333	Mldg. trim., L.H.	1.40
14 6H-11500	Switch, starter	.65
15 8L-7004658-G	Tray, lights	3.70
16 8L-7004694	Tray, overdrive	4.00
17 8L-7004383	Panel, inst. control, short	7.35
18 8L-11580	Bezel, ignit. sw.	.25
19 8L-7004658-B	Tray, map light	3.70
20 8L-7004602-A	Tray, cigar lighter	3.70
21 8L-7004658-A	Tray, w/s wiper	3.70
22 8L-7004658-F	Tray, fog light	3.70
23 8L-7004658-C	Tray, air	3.70
24 8L-7004658-D	Tray, defrst.	3.70
25 8L-7004658-E	Tray, heater	3.70
26 8L-7004658-C	Tray, air	3.70
27 8L-7004382	Panel, inst. control, long	14.25



FRESH AIR VENT ALL MODELS

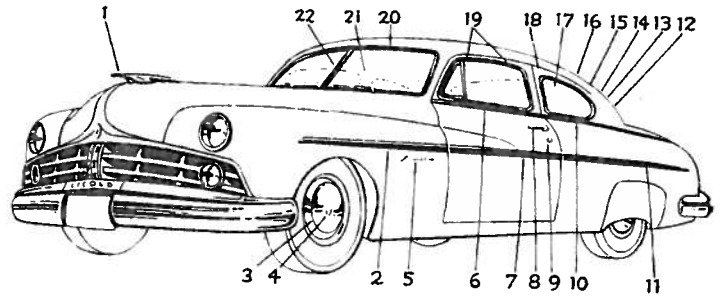
Item Part No.	Description	Price	Item Part No.	Description	Price	Item Part No.	Description	Price
1 7EH-8716	Screen	.10	4 8L-8721-B	Duct, vent, driver side	3.70	8 -8M-7301850	Valve	5.40
2 7EH-8702	Conductor	1.65	5 8L-8724	Brkt., L.H.	.20	9 8M-18570	Gasket	.15
3 8L-8725	Clamp	.10	6 8L-8719	Brkt., R.H.	.20	10 8L-7301814	Register	4.10
4 8L-8721-A	Duct, vent, pass. side	3.70	7 8L-7301851	Valve	5.40	11 8L-7301890	Cable	.90
						12 8L-7004658-C	Tray	3.70

LINCOLN 1949 BODY PARTS

Series 9L. ALL BODY STYLES

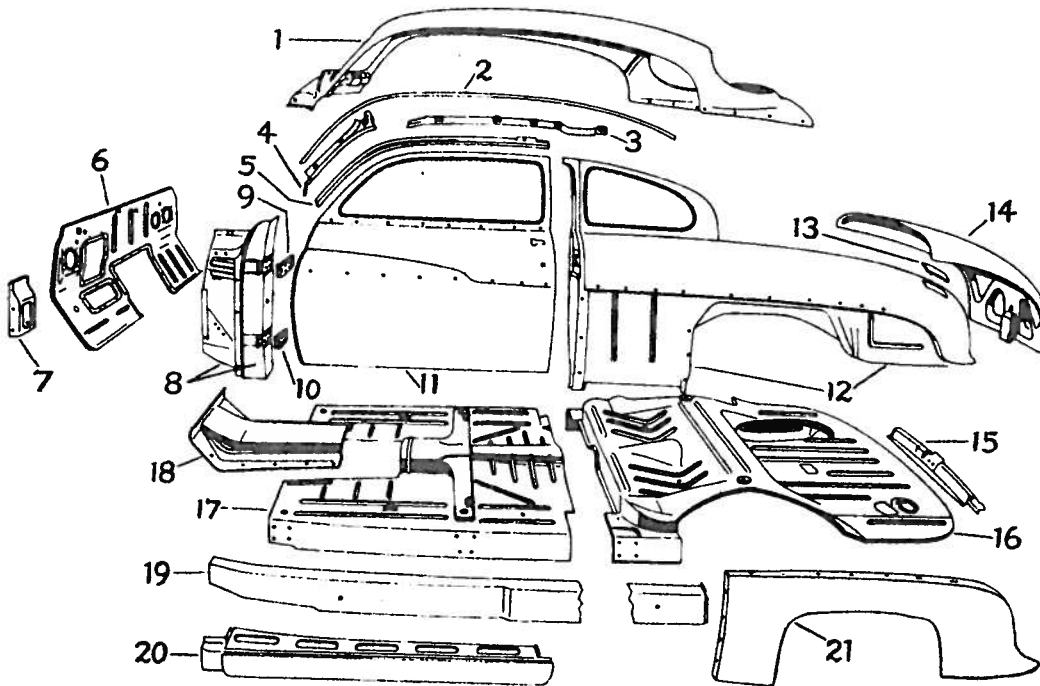
OUTSIDE MOULDING BODY STYLE—72—COUPE

Item Part No.	Description	Price	Item Part No.	Description	Price
1	8L-16850—Ornament	9.10	15	8M-7242016—Glass, center (b. wdo.)	16.75
2	8L-16025—Fender midg.	11.20	16	8M-7242404—Midg., up. & low. (b. wdo.)	1.15
3	8L-1130-B—Hub cap	8.90	17	8M-7229083—Midg. & clip, reveal, rear	1.85
4	8L-1141—Medallion, hub cap	1.15	17	8M-7229083—Midg. & clip, reveal, frt.	1.85
5	8L-16724—Medallion	1.60	18	8M-7251701—Drip midg.	1.35
6	8M-7020935—Midg., belt	2.15	19	8M-7020985—Midg. & withstp., reveal, rear	4.35
7	8L-7220929—Midg., lower	13.25	19	8M-7020985-B—Mid. & clip, reveal, frt.	4.35
8	8L-7322400—Handle	2.80	20	7A-7003080—Midg., w. shield	2.20
9	8M-7021813—Lock	3.90	21	8M-7003100—Glass	11.70
10	8M-7229035—Qt. belt	1.90	22	7A-7003078—Div. bar	1.50
11	8L-7229033—Midg., qt. body	14.60			
12	8M-7242431—Midg., L.H. end, back wdo.	2.75			
13	8M-7242019—Glass, L.H. end, back wdo.	4.75			
14	8M-7242421—Midg., div. bar (b. wdo.)	1.15			



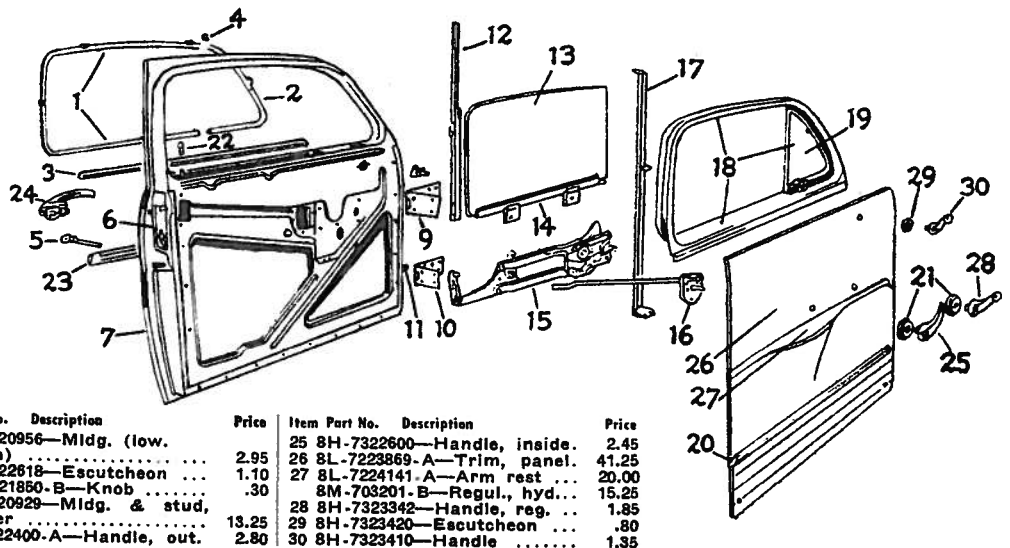
CAR BODY BODY TYPE—72 SIX PASSENGER COUPE

Item Part No.	Description	Price
1	8M-7250200—Roof panel	81.65
2	8M-7251701—Drip midg.	1.35
3	7A-70051197—Reinfmt., side rail	1.30
4	8M-7003619—Extension	2.30
5	7A-7251185—Rail, roof side	5.60
6	8M-7001610—Dash panel assy.	9.45
7	8M-7001726—Brace, dash to fl.	1.35
8	8L-7302043—Pillar & panel assy.	18.75
9	8M-7022801—Hinge, upper	2.05
10	8M-7022811—Hinge, lower	1.90
11	8L-7020123—Door, less paint, trim, etc.	45.00
12	8L-7227701-B—Quarter pan., complete	46.00
13	8M-7028611—Lid assy.	1.35
14	8M-7240112—Door assy., lug	26.25
15	8M-7240320—Pan. assy., low. back	5.15
16	8M-7011216-B—Pan. assy., Rr. fr.	25.00
17	8M-7011135—Pan. & reinfmt., frt. fr.	28.00
18	8M-7012115-A—Trans. cover plate, 10 1/2"	5.25
18	8M-7012115-B—Trans. cover plate, 15"	5.25
19	7A-7010119—Side member	5.25
20	7A-7010131—Rocker panel	7.00
21	8L-16313-A—Fender assy.	21.36



DOOR PARTS BODY TYPE—72—2 DR. COUPE

Item Part No.	Description	Price	Item Part No.	Description	Price
1	8M-7020985-B—Midg. & w/strip, rear outer	4.35	20	8L-7020956—Midg. (low. trim)	2.95
2	8M-7020985-B—Midg. & clip, frt. outer	4.35	21	8H-7322818—Escutcheon	1.10
3	8M-7020935—Midg., outer, at belt	1.75	22	8H-7321850-B—Knob	.30
4	7A-7020925—Clip	1.30	23	8L-7220929—Midg. & stud, lower	13.25
5	8H-7321983—Lock, cyl. & sleeve, complete	1.95	24	8L-7322400-A—Handle, out.	2.80
6	8M-7021813—Lock	3.90			
7	8L-7020123-A—Door, less paint, trim	45.00			
8	8M-7021853—Rod	.10			
9	8M-7022801—Hinge, upper	2.05			
10	8M-7022811—Hinge, low.	1.90			
11	8M-7023500—Arm, check	.40			
12	7A-7021050—Run, lock side, complete	.75			
13	8M-7021410-A—Glass	7.15			
14	8M-7021459—Channel	1.30			
15	8M-7023201-A—Regulator	4.15			
16	8M-7021819—Rem. control	2.25			
17	8M-7022297-B—Bar & brkt. div.	4.10			
18	8L-7021403—Vent. wind & fin. strip	29.25			
19	8M-7021412-A—Glass, vent.	2.15			



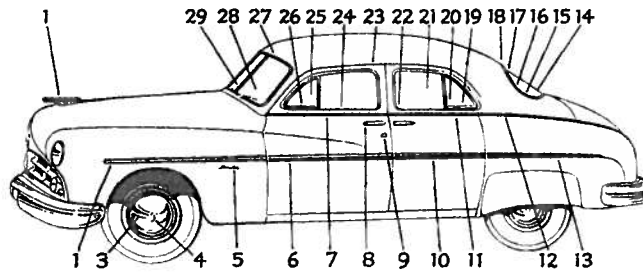
BODY PARTS 1949 LINCOLN

Series 9L. ALL BODY STYLES

OUTSIDE MOULDING

BC DY STYLE-74-SPORT SEDAN

Item	Part No.	Description	Price
1	8L-16850	Ornament	9.10
1	8L-16025	Fender midg.	11.25
3	8L-1130-B	Hub cap	8.90
4	8L-1141	Medallion, hub cap	1.15
5	8L-16724	Medallion	1.60
6	8L-7320929	Midg., frt. dr. low.	11.70
7	8M-7320935	Midg., dr. belt.	1.30
8	8L-7322400	Handle	2.80
9	8M-7021813	Lock	3.90
10	8L-7325557	Midg., R. dr. low.	1.50
11	8M-7425555	Midg., R. dr. belt	.95
12	8M-7429035	Midg., qt. belt	1.35
13	8L-7329033	Midg., qt. body	10.20
14	8M-7242431	Midg., L.H. end	2.75
15	8M-7242019	Glass, L.H. end	4.75

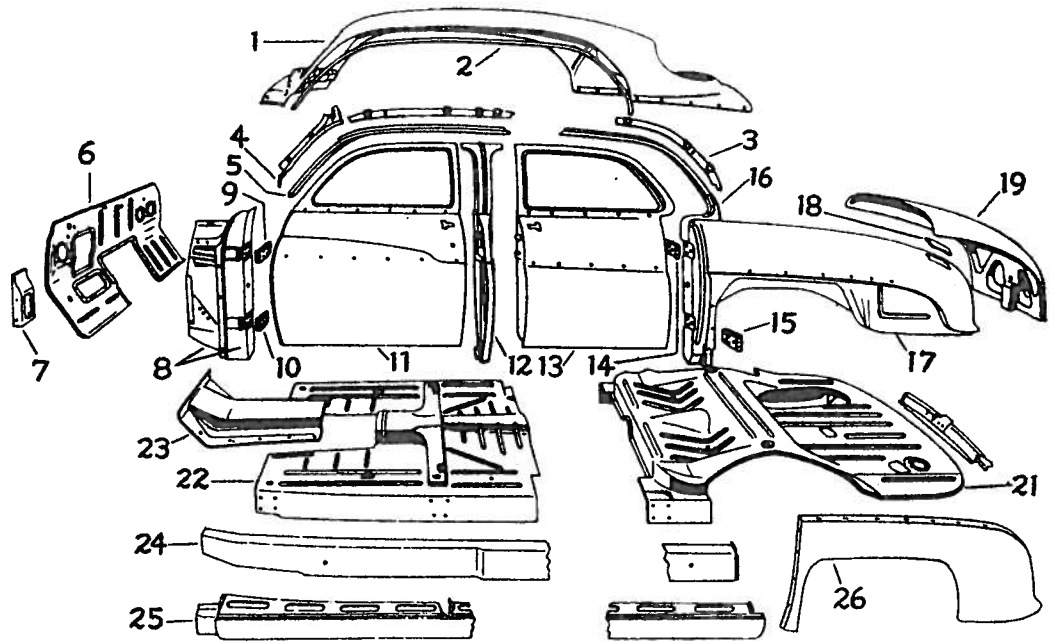


Item	Part No.	Description	Price
16	8M-7242421	Midg., div. bar	1.15
17	8M-7242016	Glass, center	16.75
18	8M-7242404	Midg., up. & low.	1.15
19	8M-7425589	Midg. & clip, reveal, rear	2.80
20	8M-7426870-A	Glass, vent.	2.30
21	8M-7425712-A	Glass, door	4.00
22	7A-7425589	Midg. & whstp., reveal, frt.	2.80
23	7EH-7251701	Drip midg.	1.90
24	8M-7320985	Midg. & whstp., reveal, frt.	4.35
25	8M-7021412-A	Glass assy., frt. vent	2.15
26	8M-7020985-B	Midg. & clip, reveal, frt.	4.35
27	7A-7003089	Midg., wdshld.	2.20
28	8M-7003100	Glass, wdshld.	11.70
29	7A-7003078	Div. bar	1.50

CAR BODY

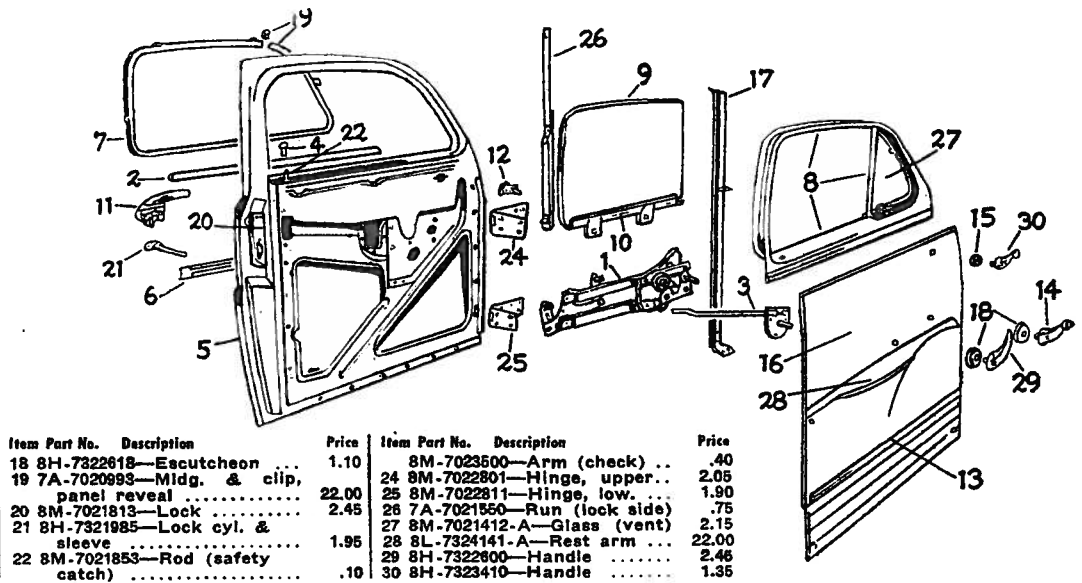
BODY TYPE-74-SPORT SEDAN

Item	Part No.	Description	Price
1	8M-7450200	Roof panel	92.25
2	8M-7251701	Drip midg.	1.25
3	8M-7451197	Reinfmt. side rail	2.00
4	8M-7003619	Extension	2.30
5	8M-7451143-B	Rail assy., side	11.05
6	8M-7001610	Dash panel	9.45
7	8M-7001726	Brace, dash to fr.	1.35
8	8L-7302043	Pillar & panel assy.	18.75
9	8M-7022801	Hinge, frt. up.	2.05
10	8M-7022811	Hinge, frt. low.	1.90
11	8L-7320123	Door, less paint, trim, etc.	45.50
12	8M-7324300	Pillar assy., center	9.15
13	8L-7424623	Door, less paint, trim, etc.	41.25
14	8M-7326801	Hinge, R. up.	1.95
15	8M-7326811	Hinge, R. low.	2.10
16	8M-7451143	Rail, roof side	11.05
17	8L-7427701	Quarter panel, complete	36.25
18	8M-7028611	Lid assy.	1.35
19	8M-7240112	Door assy., lug.	26.25
20	8M-7240320	Pan. assy., low. back	5.15
21	8M-7011216-B	Pan. assy., rear fr.	25.00
22	8M-7011135	Pan. & reinfmt., frt. fr.	28.00
23	8M-7012115-A	Trans. cover plate, 10 1/2"	5.25
23	8M-7012115-B	Trans. cover plate, 15"	5.25
24	7A-7010111	Side member	6.25
25	7A-7310129	Rocker panel	9.75
26	8L-18313-B	Fender	19.70



FRONT DOOR BODY TYPE-74 4 DR. SPORT SEDAN

Item	Part No.	Description	Price
1	8M-7323201-A	Regulator	5.05
2	8M-7320935	Midg., outside	1.30
3	8M-7321819	Remote control	1.95
4	8H-7321850-B	Knob	.30
5	8L-7320123	Dr., less hinges	45.50
6	8L-7320929	Midg. & stud, lower	11.70
7	8M-7320985	Midg. & whstp., reveal, rear	4.35
8	8L-7321403-A	Vent. wind & fin. strip	24.50
9	8M-7321410-A	Glass	4.45
10	8M-7321459	Channel	.90
11	8L-7322400-A	Handle	2.80
12	8L-7323456	Exten. shaft (vent. reg.)	.40
13	8L-7320956	Midg., lower	2.30
14	8H-7323342	Handle, reg.	1.85
15	8H-7323420	Escutcheon	.80
16	8L-7323869-A	Trim panel	32.00
17	8M-7022297-A	Bar & brkt. div.	4.10



Item	Part No.	Description	Price	Item	Part No.	Description	Price
18	8H-7322618	Escutcheon	1.10	24	8M-7022801	Hinge, upper	2.05
19	7A-7020993	Midg. & clip, panel reveal	22.00	25	8M-7022811	Hinge, low.	1.90
20	8M-7021813	Lock	2.45	26	7A-7021850	Run (lock side)	.75
21	8H-7321985	Lock cyl. & sleeve	1.95	27	8M-7021412-A	Glass (vent)	2.15
22	8M-7021853	Rod (safety catch)	.10	28	8L-7324141-A	Rest arm	22.00
				29	8H-7322800	Handle	2.46
				30	8H-7323410	Handle	1.35

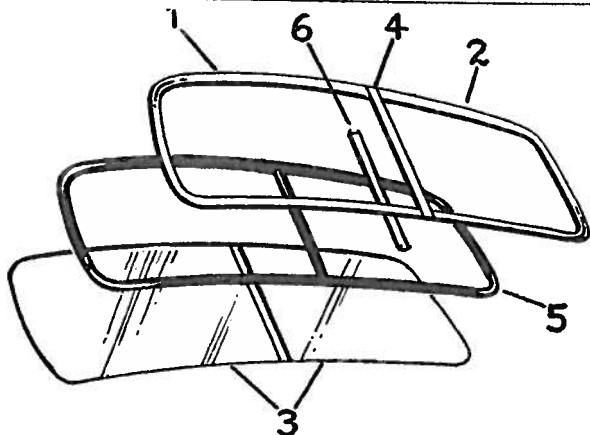
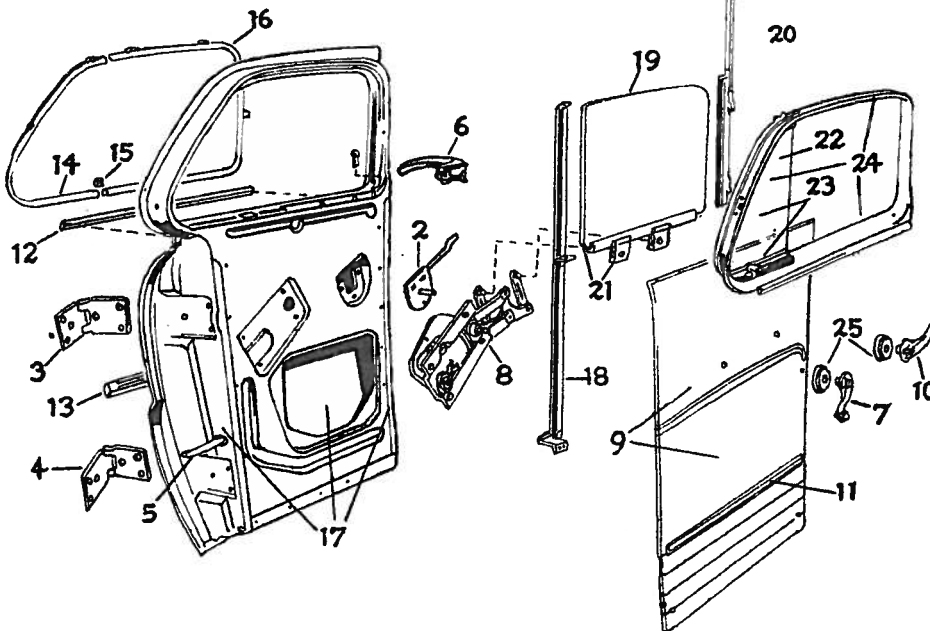
LINCOLN 1949 BODY PARTS

Series 9L. ALL BODY STYLES

REAR DOOR

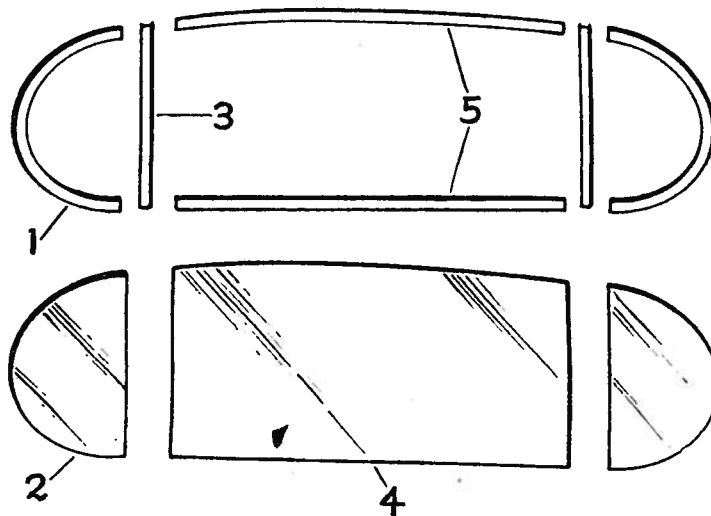
BODY TYPE—74
4 DR. SPORT SEDAN

Item	Part No.	Description	Price
1	8H-7321850-B	Knob	.30
2	8M-7326405	Remote control	1.95
3	8M-7326801	Hinge, upper	1.95
4	8M-7326811	Hinge, lower	2.10
5	8L-7327200	Arm, check	.45
6	8L-7322400-A	Handle, out.	2.80
7	8H-7323342	Handle, wind. reg.	1.85
8	8M-7427001	Regulator	4.15
9	8L-7427407-A	Trim panel (blue-green)	30.25
10	8H-7322600	Handle	2.45
11	8L-7325558-A	Midg.	1.85
12	8M-7425555-A	Midg., outer panel	.95
13	8L-7325675	Midg. & stub, lower	9.10
14	8M-7425589	Midg. & clip, rear outside	2.80
15	7A-7020925	Clip	.20
16	8M-7425589	Midg. & wthstp., front	2.80
17	8L-7424623-A	Door, less paint, trim	41.25
18	8M-7422297	Bar & brkt., div.	3.70
19	8M-7425712-A	Glass	4.00
20	7A-7021550	Run, lock side	.75
21	8M-7246229-A	Channel & brkt.	.75
22	8M-7426870-A	Glass, vent.	2.30
23	7A-7426869	Glass & fr. wind	10.25
24	8L-7426867	Wind & fin. strip, vent.	25.00
25	8H-7322618	Escutcheon	1.10



WINDSHIELD ALL MODELS

Item	Part No.	Description	Price
1	7A-7003089	Midg., outside L.H.	2.20
2	7A-7003088	Midg., outside R.H.	2.20
3	8M-7003100	Glass, L.H. & R.H.	11.70
4	7A-7003078	Retain., center wthstp., outer	1.50
5	8M-7003110-A	Wthstp., L.H.	5.20
5	8M-7603110-A	Wthstp., L.H. (76)	5.75
6	8M-7003076-A	Retain., center wthstp., in.	1.50



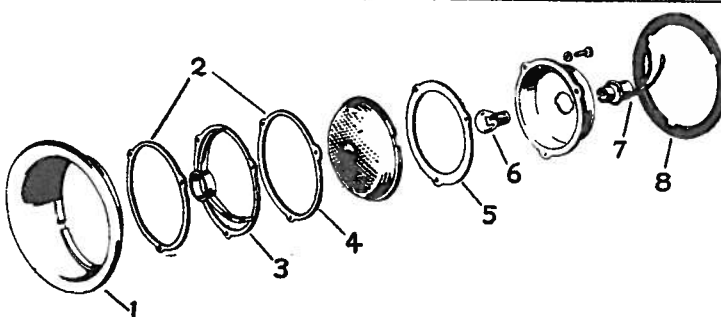
BACK WINDOW

BODY TYPES—72 & 74

Item	Part No.	Description	Price
1	8M-7242431-A	Midg., outside L.H. end.	1.80
2	8M-7242019	Glass, L.H. end	4.75
3	8M-7242421-A	Midg., div. bar, L.H.	1.15
4	8M-7242016	Glass, center	16.75
5	8M-7242404	Midg., up. & low.	1.15
	8M-7242431-C	Midg., L.S.	2.75
	8M-7242421-B	Midg., div. bar, L.H.	.75
	8M-7242006	Glass, rear	36.50

REAR LAMP ALL MODELS

Item	Part No.	Description	Price
	8L-13405-A	Lamp assy.	6.40
1	8L-13449	Door	2.00
2	7E8H-13444	Gasket	.10
3	7E8H-13443	Door	1.55
4	7E8H-13450-A	Lens	.85
5	7E8H-13461	Gasket	.15
6	11A-13465	Bulb	.30
7	7E8H-13410	Socket	1.25
8	7E8H-13420	Gasket	.25



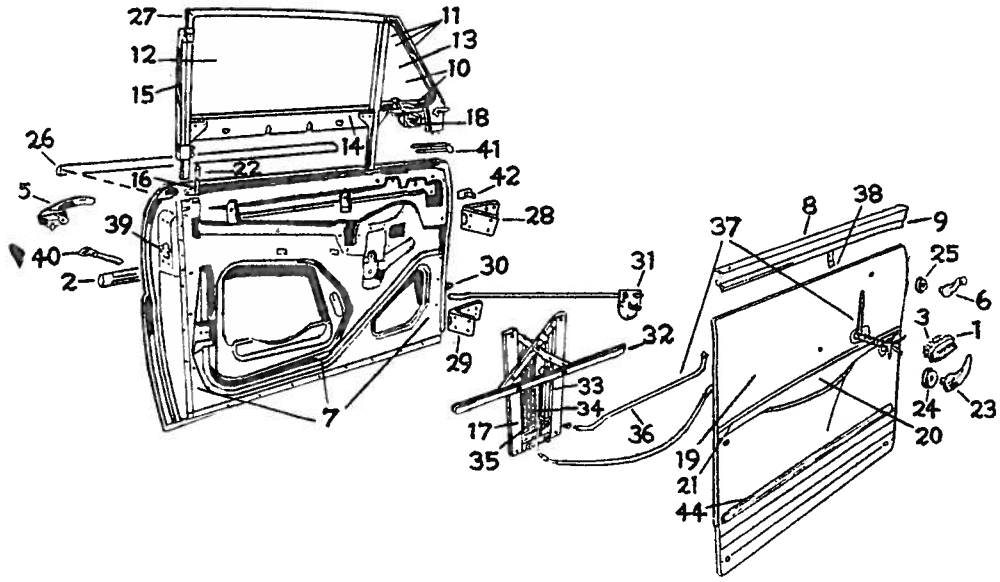
BODY PARTS 1949 LINCOLN

Series 9L. ALL BODY STYLES

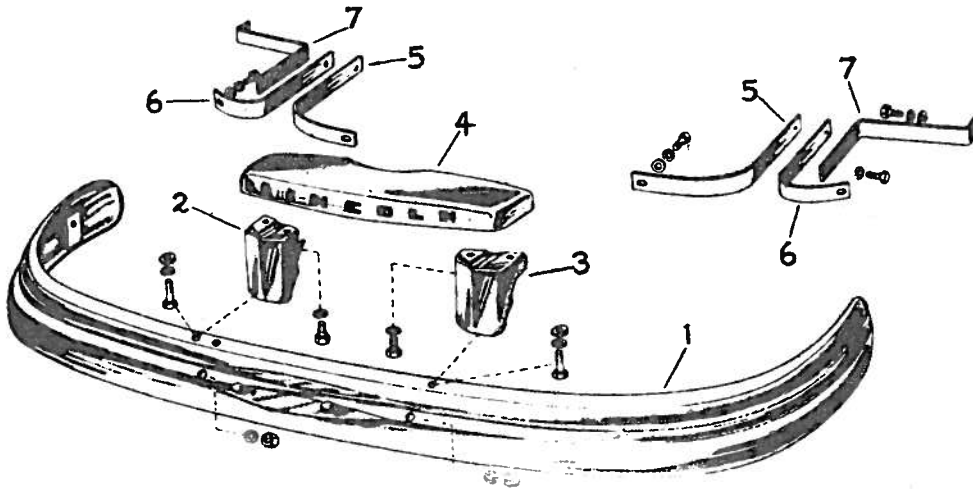
DOOR PARTS

BODY TYPE-76
2 DR. CONVERTIBLE

Item	Part No.	Description	Price
1	8H-7223302	Sw. & hsgng., single, L.H.	4.50
1	8H-7223303-A	Sw. & hsgng., four, R.H.	10.80
2	8L-7620929	Midg. & stud.	15.25
3	8H-7224206	Switch	1.95
	8H-7224233	Plate, switch	.40
5	8L-7322400-A	Handle, out.	2.80
6	8H-7323410	Handle, vent. reg.	1.35
7	8L-7620123	Dr., less paint, trim	55.75
8	8L-7620965	Strip, wdo. fin., lower	7.80
9	8L-7621171	Midg., wdo. fin., lower	3.90
10	8L-7621229	Fr. & gls. vent wdo.	12.25
11	8L-7621403	Window, vent.	46.50
12	8M-7621410-A	Glass, wdo.	6.95
13	8M-7621412-A	Glass, vent. wdo.	2.50
14	8M-7621459	Channel, wdo.	2.25
15	7A-7621509	Run	2.40
16	8H-7621853	Rod	.15
17	8M-7623201	Reg. wdo. hyd.	15.10
18	8L-7623436	Gear & shaft.	1.00
19	8L-7623869-A	Panel, trim	66.75
20	8L-7624141-A	Arm rest	21.25
21	8L-7624191	Mid., arm rest	4.35
22	8H-7321850-B	Knob	.30
23	8H-7322600	Handle, inside.	2.45
24	8H-7322618	Escutcheon	1.10
25	8H-7323420	Escutcheon	.80
26	8M-7620985	Midg., outside.	9.20
27	8M-7622219	Fr. glass complete	29.00
28	8M-7022801	Hinge, upper	2.05
29	8M-7022811	Hinge, low.	1.90
30	8M-7023500	Arm, clock	.40
31	8M-7021819	Control	2.25
32	51A-7123236	Brkt.	.10



Item	Part No.	Description	Price	Item	Part No.	Description	Price	Item	Part No.	Description	Price
33	8L-7323244	Cyl. hyd.	8.50	37	8H-14508	Wiring, switch to solenoid	.50	40	8L-7321985	Lock cyl. & sl.	1.95
34	8H-7353329	Spring, outer	.85	38	8L-14401	Wiring, inst. p. to dash p.	36.75	41	8M-7621389-A	Pad	.60
35	8H-7353330	Spring, inner	.80	39	8M-7021813	Lock	3.90	42	8L-7323456	Shaft	.40
36	7EH-7253351	Tube, vent to dr. reg.	.95					44	8L-7020956	Midg.	2.95



REAR BUMPER ALL MODELS

Item	Part No.	Description	Price
1	8L-17906	Impact bar	45.65
2	8L-17984	Guard, R.H.	4.05
3	8L-17985	Guard, L.H.	4.05
4	8L-17804	Guard, plate	15.95
5	8L-17787	Hanger, inner, R.H. & L.H.	1.50
6	8L-17795	Hanger, outer, R.H. & L.H.	1.45
7	8L-17789	Brace	1.50



FLAT RATE LINCOLN 1949

Series 9L. ALL BODY STYLES

Chilton Job No.	Chilton Labor Price	Chilton Job No.	Chilton Labor Price	Chilton Job No.	Chilton Labor Price	Chilton Job No.	Chilton Labor Price	Chilton Job No.	Chilton Labor Price	Chilton Job No.	Chilton Labor Price	Chilton Job No.	Chilton Labor Price	Chilton Job No.	Chilton Labor Price
A		A—continued		A—continued		B—continued		C—continued		C—continued		E		E—continued	
1	2.75	7	2.00	20x	10.00	9		2	28.00	15	1.25	1	65.00	11	62.00
2	2.25	8	1.25			10		3	24.00			2	30.00	12	25.00
3		9	3.50			11	3.75	4	1.78			3	25.00	13	1.75
4	18.50	10		B		12	2.25	5	3.50	D		4	24.00	14	5.50
4a		11	3.00	1	8.50	13		6	2.00	1	3.50	5	145.00	15	2.00
4b	2.00	12	4.50	1a	7.00	14	3.75	7		1a	2.75	6	135.00	16	2.00
4c	7.00	13	1.50	2	30.00	15	1.25	8	3.75	2	2.00	7		17	4.80
5		14		3	25.00			9		3		7x	45.00	18	75.00
5a		15	.75	4	2.00			10		4	12.00	8		19	75.00
5b		16		5	3.50	C		11	3.75	7		9	85.00		
5c		17	1.50	6	2.00	1	8.50	12	4.25	12	4.25	7x	45.00	9x	87.00
5d		18	15.00	7	2.00	1a	5.50	13		13		18	8.00	9y	87.00
6	25.00	20	7.50	8	3.25			14	3.75	20	3.00			10	
												1	8.50	12	
												1a	5.50	13	
													3.75	14	

STEERING GEOMETRY

CASTER: Zero degree to 1/2 degree positive or negative.

CAMBER: Zero degree to 3/4 degree negative.

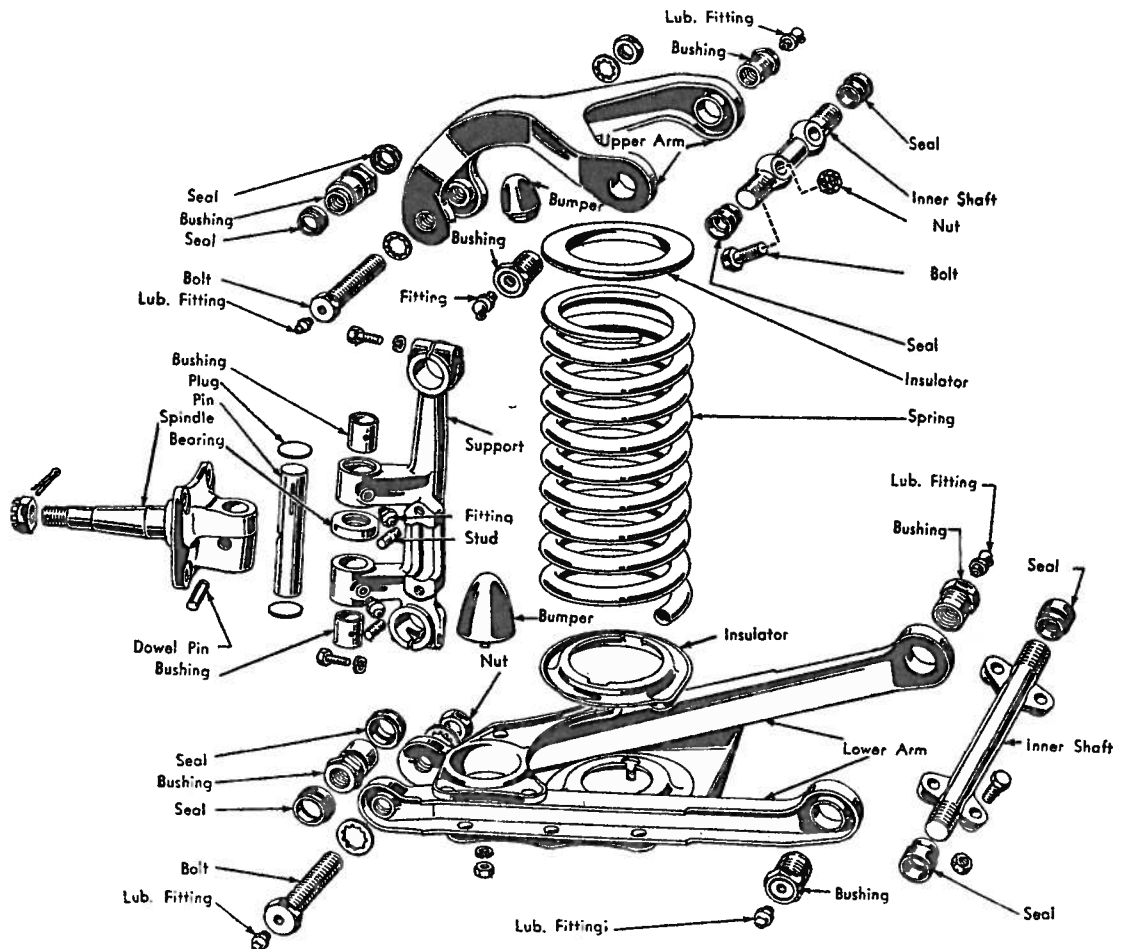
TOE-IN: 3/32 to 5/32.

KING PIN INCLINATION: 5 degree.

ALL MODELS

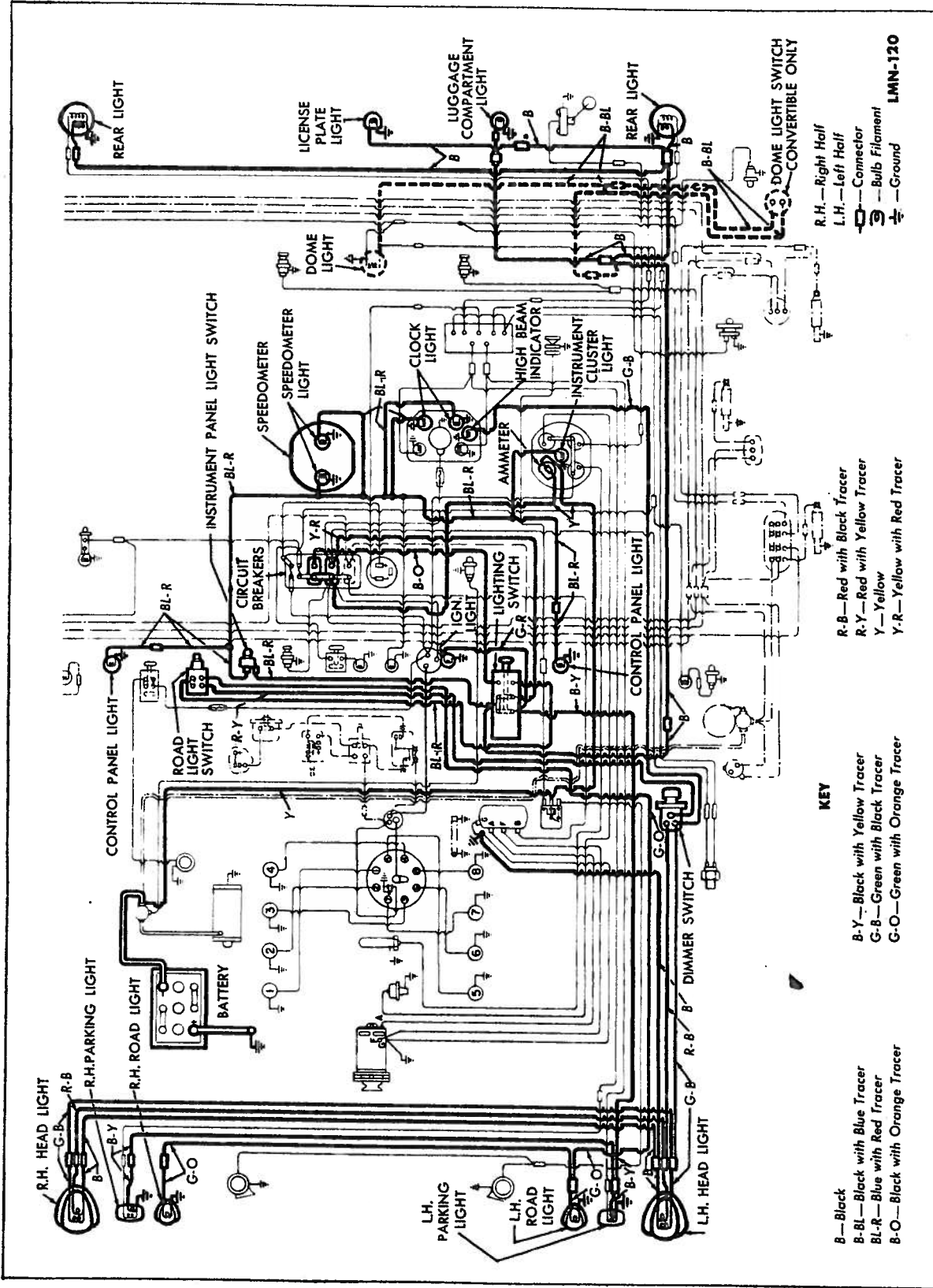
CAMBER: Is controlled by eccentric bushing at upper suspension arm.

CASTER: Is adjusted by turning sleeve in the lower suspension arm. Turn towards the rear of the car to decrease caster, towards front to increase.



LINCOLN 1949 WIRING

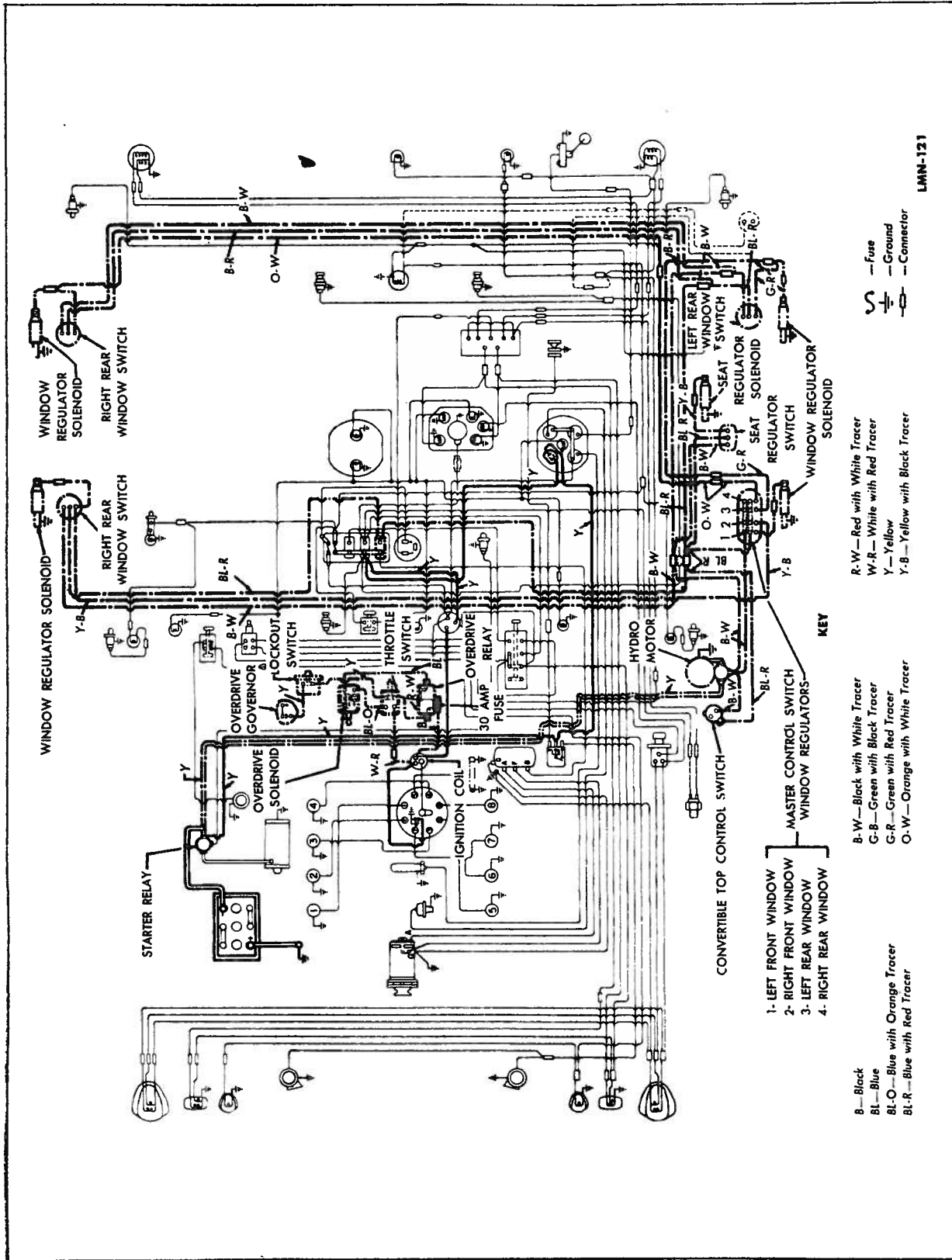
Series 9L. ALL BODY STYLES



1949 LINCOLN SCHEMATIC WIRING DIAGRAM
 HEAD LIGHTS, HI-BEAM INDICATOR, ROAD LIGHTS, REAR LIGHTS, LICENSE PLATE LIGHT,
 LUGGAGE COMPARTMENT LIGHT, PARKING LIGHT, IGNITION LIGHT, INSTRUMENT PANEL CLUSTER
 LIGHTS AND CONVERTIBLE DOME LIGHT CIRCUITS

WIRING 1949 LINCOLN

Series 9L. ALL BODY STYLES



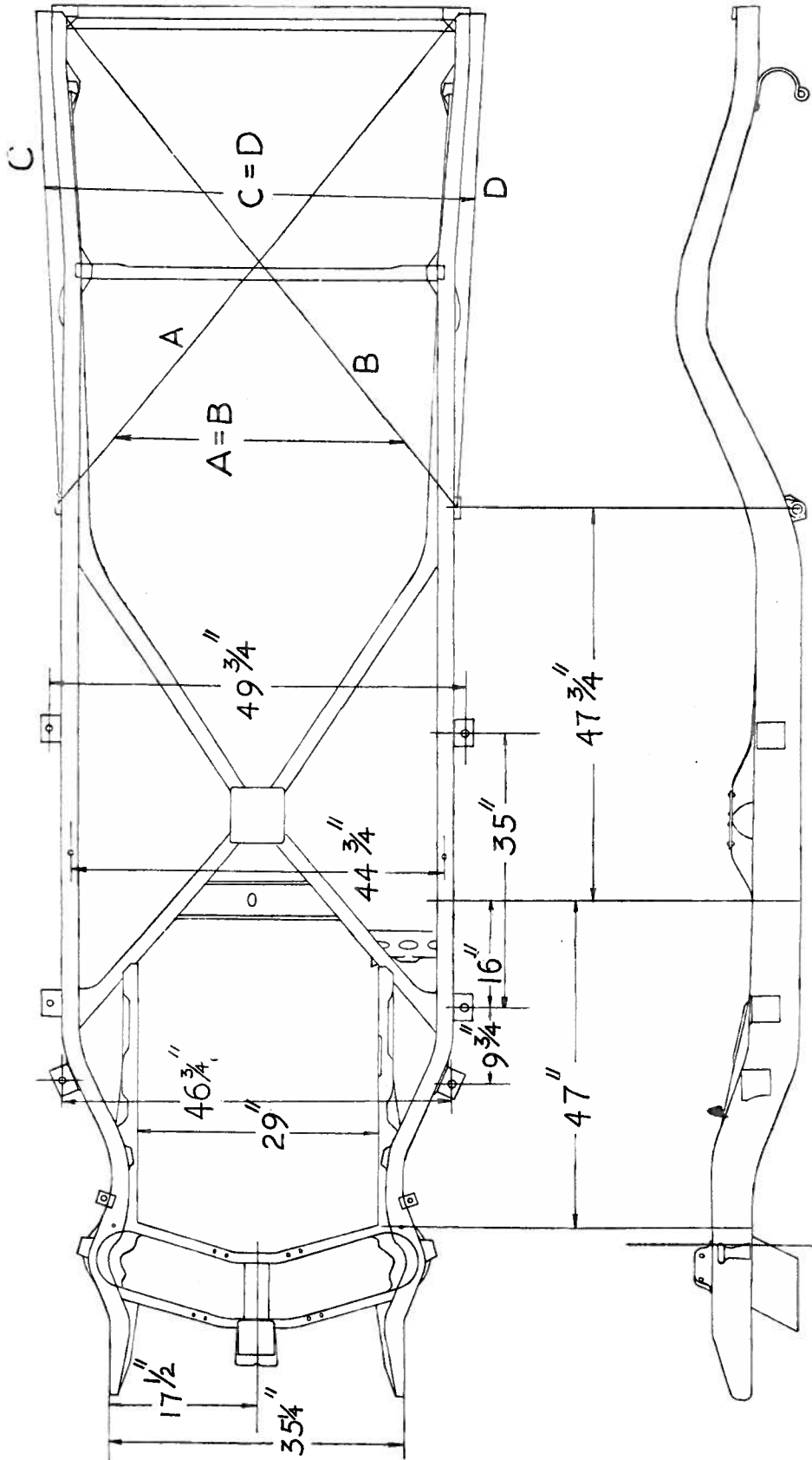
LMN-121

1949 LINCOLN SCHEMATIC WIRING DIAGRAM

OVERDRIVE, HYDRAULIC WINDOW AND SEAT REGULATION AND CONVERTIBLE TOP CONTROL CIRCUITS

LINCOLN 1949 FRAME

Series 9L. ALL BODY STYLES



1949 Lincoln Frame—121" wheel base