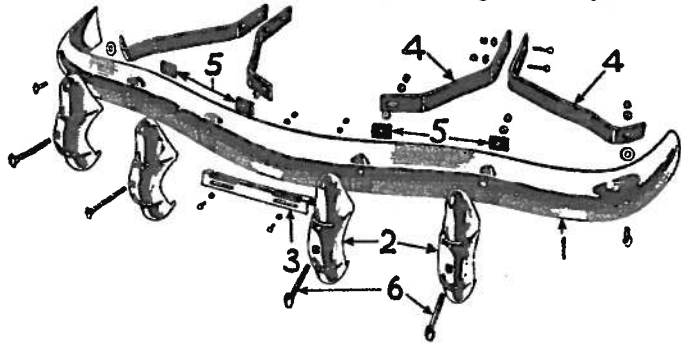


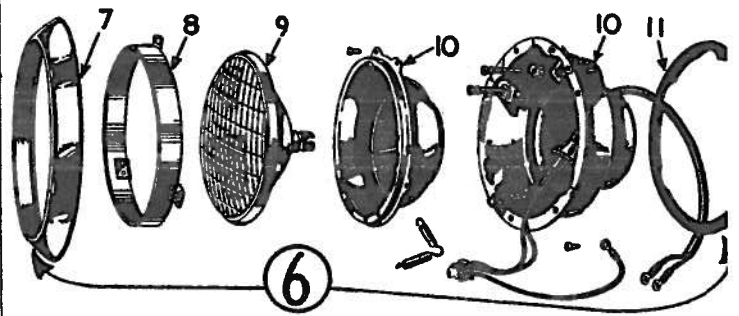
KAISER 1947 and 1948 BODY PARTS

Models K100, K101; K481, K482. ALL BODY STYLES

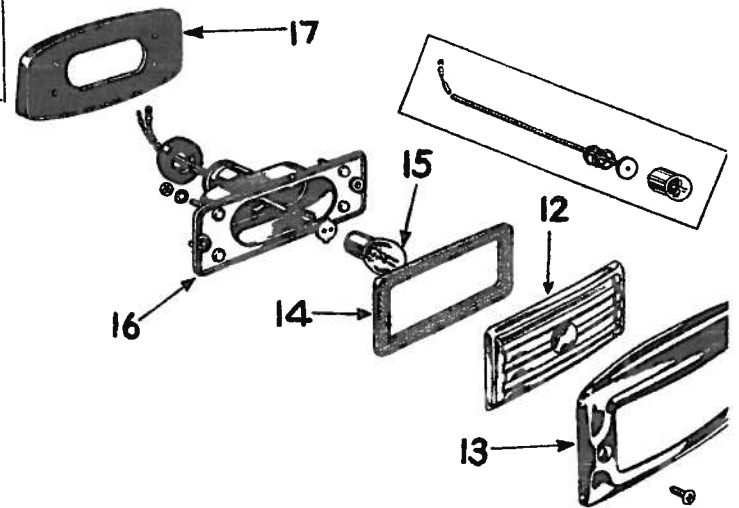
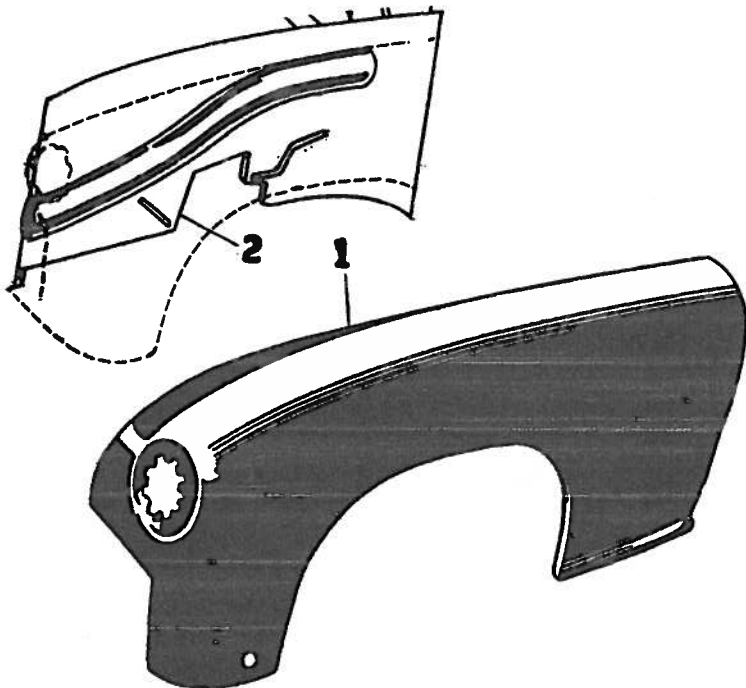


FRONT BUMPER, LEFT SIDE

Item	Part No.	Description	Price	Item	Part No.	Description	Price
1	202881	Bar	31.75	4	202889	Sup., out.	2.60
2	202894	Guard, in.	4.25	5	202885	Seat, sup.	.15
2	202895	Guard, out.	4.25	6	202884	Bolt, in.	.18
3	202896	Bracket, lic.	1.85	6	202951	Bolt, out.	.18
4	202887	Sup., in.	2.40				

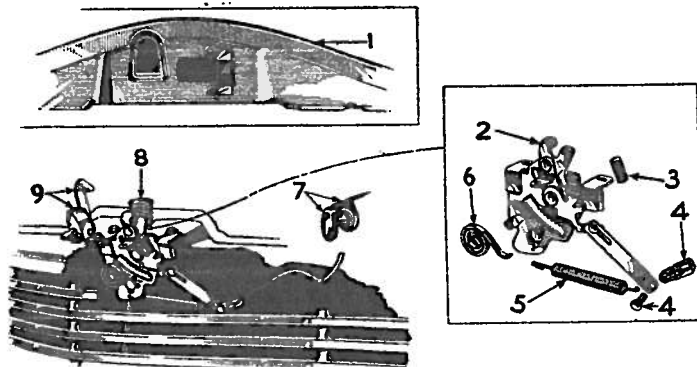


6



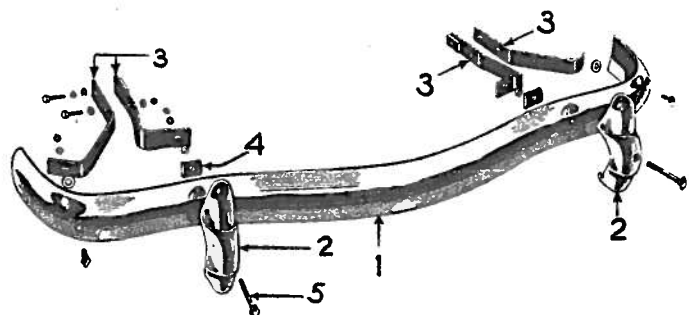
FRONT FENDER, LEFT SIDE

Item	Part No.	Description	Price	Item	Part No.	Description	Price
1	200608	Fender	35.00	10	Seat body (not serviced alone)		
	202088	Brace	.50	11	200806	Gasket, H.L.	
	200611	Brace (early '47, K-101)	.90	12	200856	Lens, signal light	
2	200610	Splash shield	13.50	13	200855	Bazel, lens	1.20
	200882	Dust pan, frt.	1.15	14	200857	Gasket	
	203567	Dust pan	1.40	15	201600	Bulb, K100, K481	
	200985	Fan bracket	.05	15	201361	Bulb, K101, K482	
6	201322	Head lamp, comp.	9.00	16	201325	Light, direct, K100, 481	4.00
7	200807	Door, headlight	1.80	16	202495	Light, direct, K101, 482	5.00
8	200812	Ring	1.80	17	200853	Pad, light	
9	200810	Sealed beam unit	1.35				
10	200811	Seat, unit	1.85				



HOOD, LEFT SIDE

Item	Part No.	Description	Price	Item	Part No.	Description	Price
1	Hood			4	201799	Clevis	.05
	202030	To K100-#11654	39.00	4	201800	Clevis pin	.03
	200633	K100-#11654 to K481-15180 and K482-1267.	39.00	5	201796	Spring, tension	.10
	203304	After K481-15180, K482-1267	39.00	6	201797	Spring, plate	.15
2	200624	Lock	2.00	7	200637	Control, lock	1.90
3	201795	Spring, latch	.02	8	202982	Spring, kick-up	.10
				9	200625	Catch, safety	.85
					201791	Hood medallion	3.50

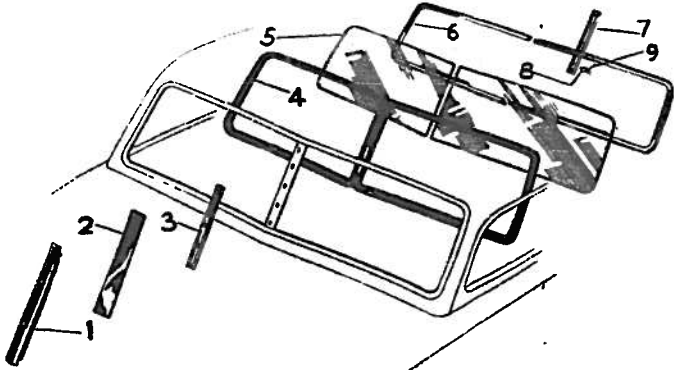


REAR BUMPER, LEFT SIDE

Item	Part No.	Description	Price
1	202882	Bar	31.75
2	202895	Guard	4.25
3	202891	Sup., in.	2.35
3	202893	Sup., out.	1.85
4	202885	Seat, sup.	.15
5	202951	Bolt	.18

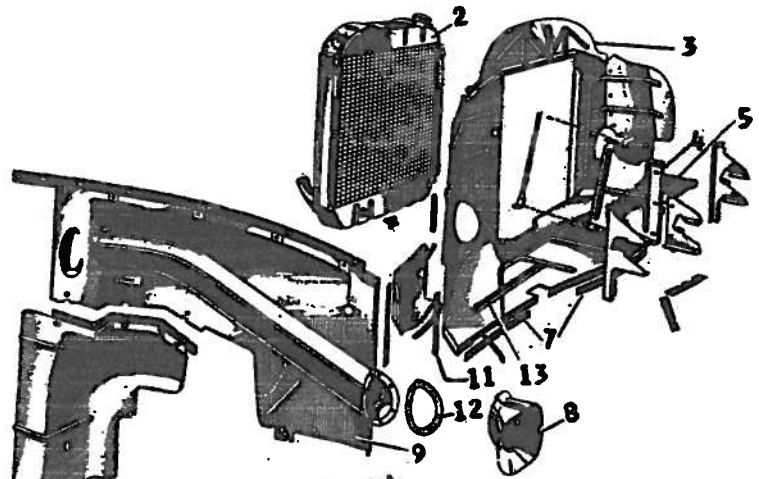
BODY PARTS 1947 and 1948 KAISER

Models K100, K101; K481, K482. ALL BODY STYLES



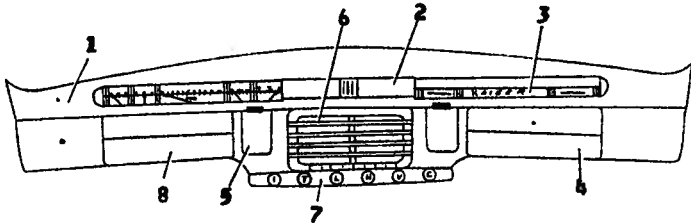
WINDSHIELD, LEFT SIDE

Item Part No.	Description	Price	Item Part No.	Description	Price
1	200683—Div. bar, out.	1.10	7	200682—Div. bar, in., K100, 481 (prime)	1.90
2	200685—Weatherseal	.25	7	202556—Div. bar, in., K101, 482 (chrome)	2.20
3	200684—Retainer, bar	.70	8	200681—Clip, in., K100, 481 (prime)	.30
4	200649—W/thstp., w/s	5.00	8	202557—Clip, in., K101, 482 (chrome)	.40
5	200648—Glass, w/s		9	681—Screw	.03
6	200680—Garnish mold., in., K100, 481 (prime)	2.65			
6	202556—Garnish mold., in., K101, 482 (chrome)	4.75			



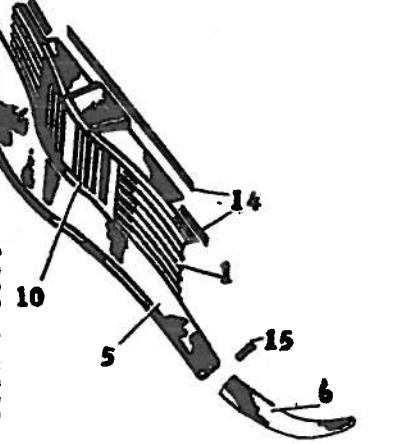
GRILLE & SHROUDS, LEFT SIDE

Item Part No.	Description	Price
1	201555—Grille panel, primed	16.90
2	202906—Radiator core	60.00
3	202905—Shroud, rad.	12.50
4	201552—Baffle, shroud (early K100 only)	3.25
5	201551—Shroud, rad., low. (early K100)	3.75
6	202781—Grille ext., fender	.80
7	202389—W/S, shroud baffle	.40
8	200613—Air funnel	2.00
	201561—Up. grille, K100 to #24327	13.30
	202247—Up. grille, after #24327, K101, 481, 482	10.00
9	200610—Splash shield	13.50
10	Grille	
	201559—Outer, K100 to #24327	10.25
	201562—Center, K100 to #24327	1.85

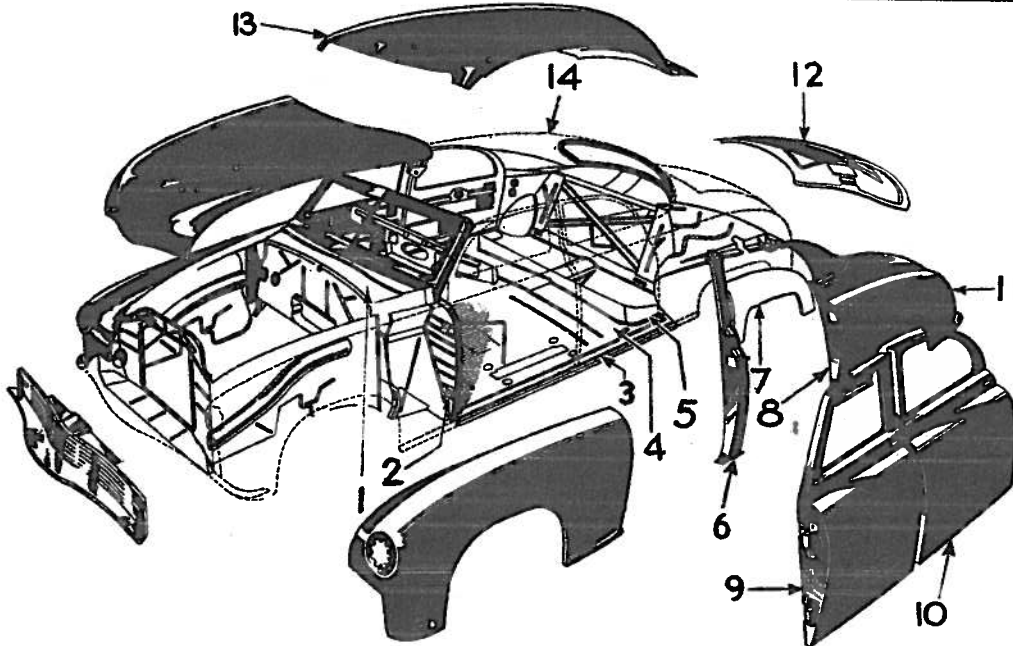


INSTRUMENT PANEL, LEFT SIDE

Item Part No.	Description	Price	Item Part No.	Description	Price
1	Instrument board panel	32.50	4	Door, glove compartment	
	202373—To K100-31294			200587—K100, 481	2.25
	202489—After K100-31294, K101, 481, 482	32.50		202506—K101, 482	2.25
2	202274—Panel, radio ctrl.	1.95	5	202272—Ash rec. panel	1.85
3	Name plate panel		6	202374—Grille panel, radio	5.20
	201816—To K100-31294, green	5.50	7	Panel, control board	
	202512—After K100-31294, green	5.50		200516—To K100-65372, 101-5405	.80
	202708—K100, 101, 481, 482, Sandtone	6.00		203182—After K100-65372, 101-5405, 481, 482	.80
			8	200538—Dummy panel	2.30



Item Part No.	Description	Price
	202080—Outer, after #24327, K101, 481, 482	4.95
	202081—Center, after #24327, K481	6.20
	203244—Center, K101, 482	6.20
11	201806—Anti-squeak, shroud to fender	.01
12	202082—Anti-squeak, shroud to air duct	.15
18	201556—Anti-squeak, grille panel to fender	.05
14	201557—Anti-squeak, grille panel to shroud	.01
15	201571—Anti-squeak, grille panel extension	.01
	201554—Anti-squeak, lower shroud, wide rad.	.04



CAR BODY SHEET METAL, LEFT SIDE

4 DOOR SEDANS

Item Part No.	Description	Price
1	203320—Cowl, body frt. end, inc. w/s fr.	80.00
2	202577—Pillar, frt. hinge	8.65
3	202333—Locker panel	3.25
4	202928—Pan., rear floor	28.50
5	203128—Riser panel, rr. seat	4.25
6	200577—Pillar, cen. hinge	12.85
7	200574—Panel, whitse., rear, out.	8.85
8	202910—Facing rr. lock pillar	2.25
9	202522—Door, front	61.00
10	202525—Door, rear	57.50
11	200565—Panel, rear quar., out.	21.00
12	202344—Deck lid, prime	36.50
12	202343—Deck lid	
13	200582—Roof panel	38.00
14	202752—Body shell assy., incl. drs. & dk.	
14	202753—Body shell assy., less drs. & dk.	

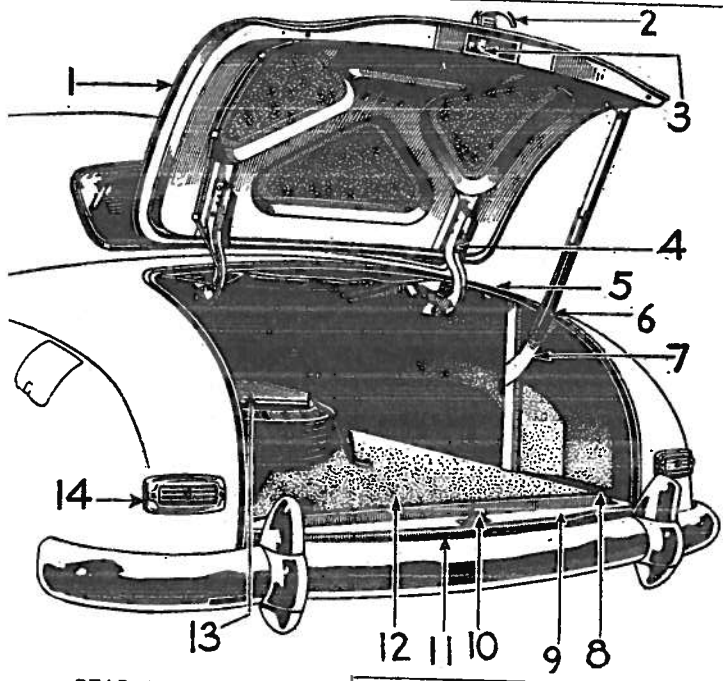
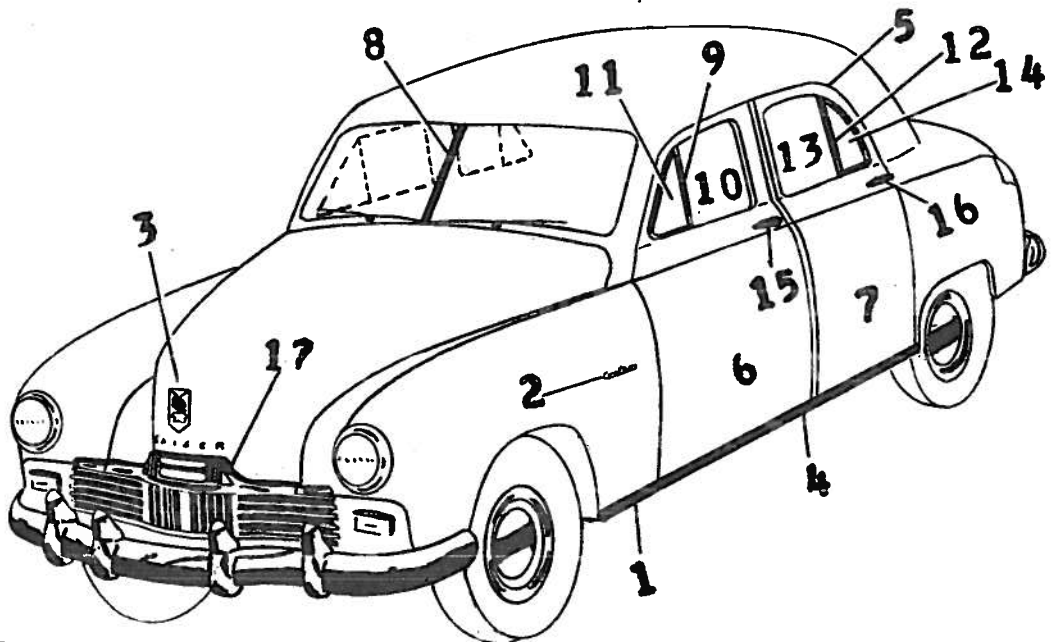
KAISER 1947 and 1948 BODY PARTS

Models K100, K101; K481, K482. ALL BODY STYLES

CAR BODY CHROME & TRIM MOLDINGS, LEFT SIDE

4 DOOR SEDANS

Item	Part No.	Description	Price
1	202020	Mold., frt. fdr., K101, 482	1.60
2	203052	Name plate, fdr., K101, 482	1.00
3	201791	Medallion, hood	3.50
4	202024	Mold., rck. pnl., K101, 482	3.90
5	202056	W/strip, up. drain	61.00
6	202522	Front door	57.50
7	202525	Rear door	.25
8	200575	W/strip, tool compt.	2.00
9	200767	Div. bar, frt. door vent. To K100-2019	2.00
10	203005	After K100-2019, 101, 481, 482	3.00
11	200642	Glass, frt. door	1.50
12	202057	W/strip, low. drain	2.75
13	200787	Div. bar, rear door vent. To K100-2019	1.50
14	203008	After K100-2019, 101, 481, 482	2.75
15	200645	Glass, rear door	3.95
16	200770	Glass, rear dr. vent.	3.75
17	202479	Handle, frt. dr.	1.15
18	202480	Handle, rear dr.	
19	201564	Mold., rad. up. grille	

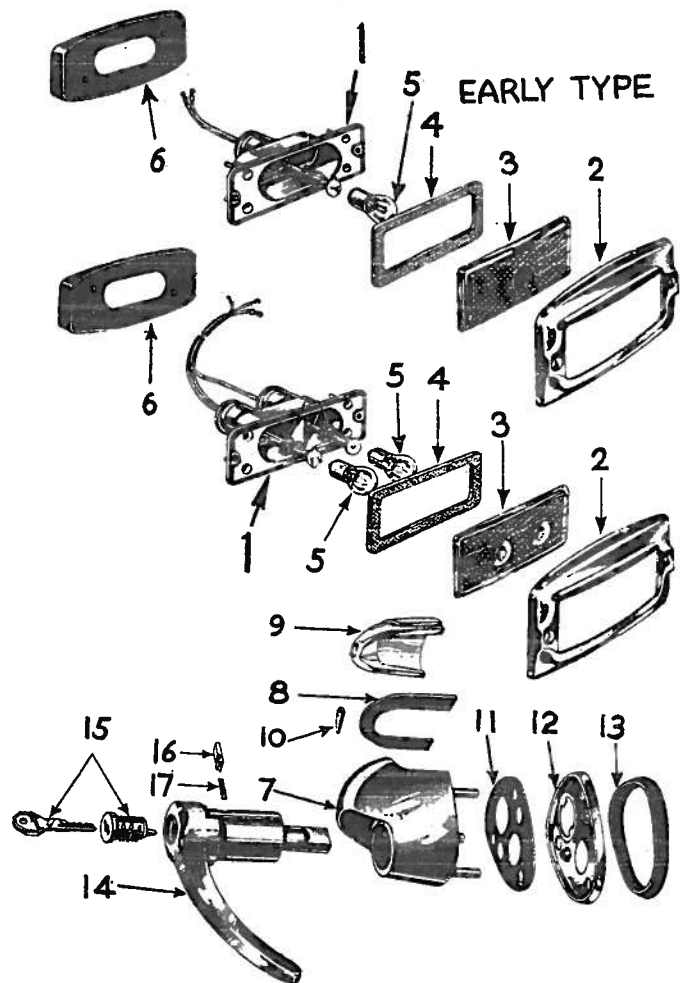


REAR DECK LID

Part No.	Description	Price
202344	Lid, deck (prime)	36.50
202351	Handle & lic. light	9.95
202341	Latch, lid lock	.90
202303	Hinge, deck lid	3.35
202056	W/strip, up. drain trough	3.00
202054	Prop. deck lid. K100	1.50
202055	Bracket, prop. low., K100	.20
200575	W/strip, tool compt.	.25
202912	Panel, low. deck	2.25
202339	Plate, latch striker	.35
202057	W/strip, low. drain trough	1.60
202453	Mat, rear compt.	3.25
202654	Carpet, rr. compt., K482	8.75
03117	Shelf, rr. luggage	4.15
01520	Light, tail & stop, K100, 481	5.00
02894	Light, tail & stop, K101, 482	5.95

REAR & TAIL LAMPS, LEFT SIDE

Item	Part No.	Description	Price
1	201529	Tail, stop & directional light assy. K100, 481	5.00
2	202694	K101, 482	5.95
3	200855	Bezel	1.35
3	201531	Lens, K100, 481	.75
3	200842	Lens, K101, 482	.75
4	200857	Gasket	.20
5	201361	Bulb, tail & stop	.32
5	201380	Bulb, direct., K101, 482	.25
6	200835	Pad	.25
7	202352	Body, lic. lamp (dk. handle)	4.05
8	202354	Gasket, lens	.10
9	202353	Lens	.40
10	202863	Gasket, bumper	.05
11	202357	Gasket, escutcheon	.15
12	202356	Escutcheon	.75
13	202358	Gasket, to deck	.15
14	202360	Handle, into body	4.35
15	202365	Cyl. & key	.95
16	202361	Pawl, handle	.25
17	202362	Spring, handle	.05

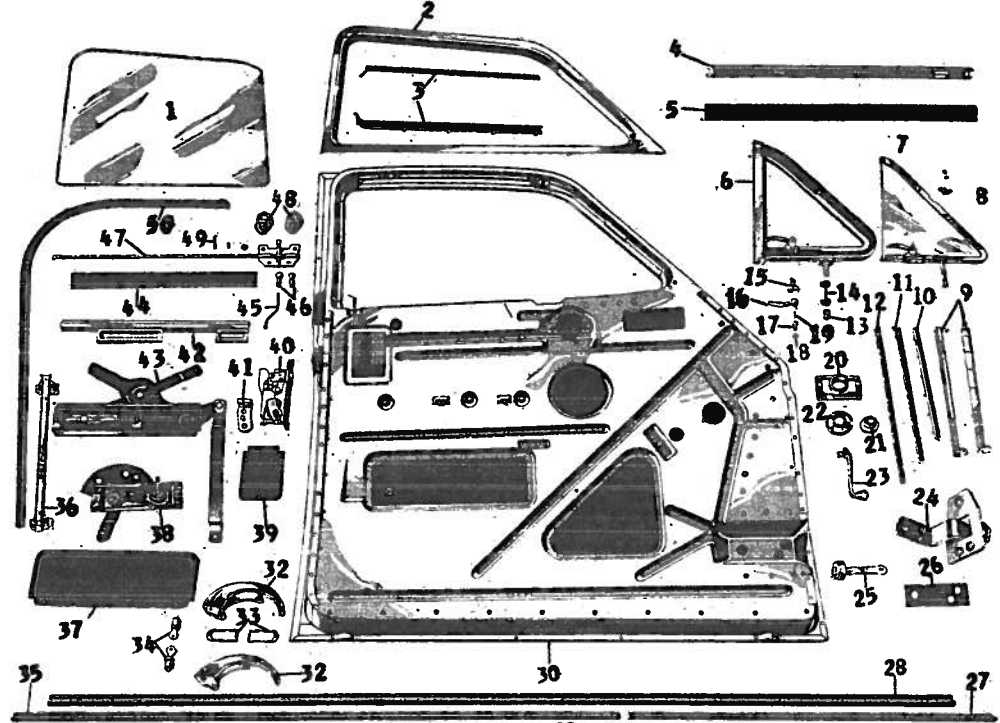


BODY PARTS 1947 and 1948 KAISER

Models K100, K101; K481, K482. ALL BODY STYLES

FRONT DOOR HARDWARE, LEFT SIDE

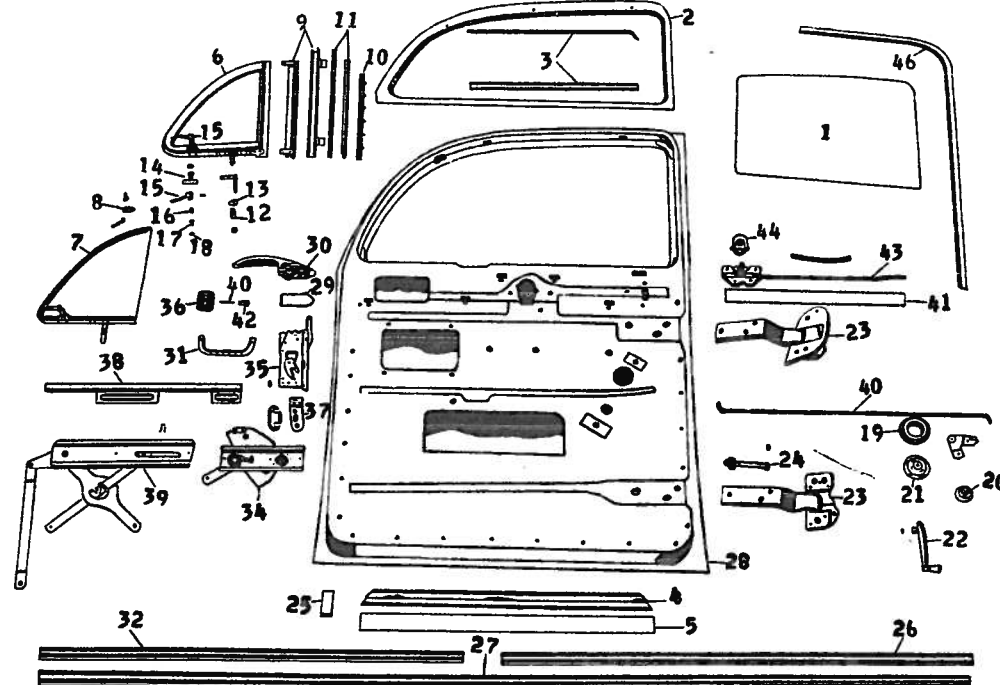
Item Part No.	Description	Price
1	200642—Glass	5.00
2	200676—Mold., garnish	.35
3	202918—Wthstp., in.	.45
4	202044—Wthstp., out.	.50
5	200757—Wthstp., vent., fr.	3.60
6	202533—Vent., complete	16.00
7	200749—Frame & glass, vent.	5.00
8	203015—Hinge, up., vent.	.02
9	Div. bar, ventilator.	
10	200767—To K100-2019	2.00
11	203005—After K100-2019, 101, 481, 482	3.00
12	202285—Wthstp., div. bar	.40
13	202283—Chnl., glass run, up.	.30
14	202282—Chnl., glass run, low.	.35
15	200752—Spring, low. pivot	.10
16	200755—Stop, low. pivot	.05
17	200760—Shaft, vent.	.40
18	200759—Handle, vent.	.55
19	200762—Key, push button	.15
20	200763—Button, push	.15
21	200764—Spring, key	.01
22	202059—Eschn., push btn., rem. ctrl.	1.20
23	200658—Spring, reg. handle	.02
24	202169—Eschn., reg. hndl.	.40
25	202375—Handle, reg.	1.10
26	200588—Hinge, up.	1.65
27	200590—Hinge, low.	1.65
28	201568—Arm, check	.25
29	202904—An.-sqk., hinge to dr.	.02
30	202903—An.-sqk., hinge, up.	.02
31	202401—W/S, hinge pil. face	.30
32	202395—W/S, door, up.	.90
33	202402—W/S, up. hinge filler	.15
34	202403—W/S, low. hinge filler	.15
35	202522—Door	61.00
36	202400—W/S, hinge pil. up.	.25
37	200653—Handle, door (stamped), K100	3.50
38	202479—Handle, door (die cast)	3.95
39	201904—Eschn., hndl., K100	.20
40	202481—Escutcheon, handle	.50
41	201888—Lock cyl. & keys, K100	1.20
42	201944—Lock cyl. & keys	.95
43	202370—W/S, door, low.	.65
44	200599—Ret., rr. glass run channel	1.00



Item Part No.	Description	Price	Item Part No.	Description	Price	Item Part No.	Description	Price
37	200586—Cover, reg.	.45	44	202527—Seal, glass	.20	47	202984—Rod, remote ctrl.	1.45
38	202535—Regulator	2.15	45	202051—Rod, locking	.05	48	202988—Button, remote ctrl. rod, K100	1.70
39	200585—Cover, lock	.20	46	200672—Button, lock. rod (oblong), K100	.15	48	202989—Button, remote ctrl. rod, ALL	1.70
40	200666—Lock, door	2.75	46	202168—Button, lock. rod (ball), K100, 101	.15	49	202200—Spring, push button	.03
41	200579—Plate, striker	1.00	46	203289—Button, lock. rod (ball), K481, 482	.15	50	200728—Chnl., glass run, Rr.	1.20
42	200644—Chnl., glass ret., low.	.60						
43	200707—Lifter, glass	1.90						

REAR DOOR HARDWARE, LEFT SIDE

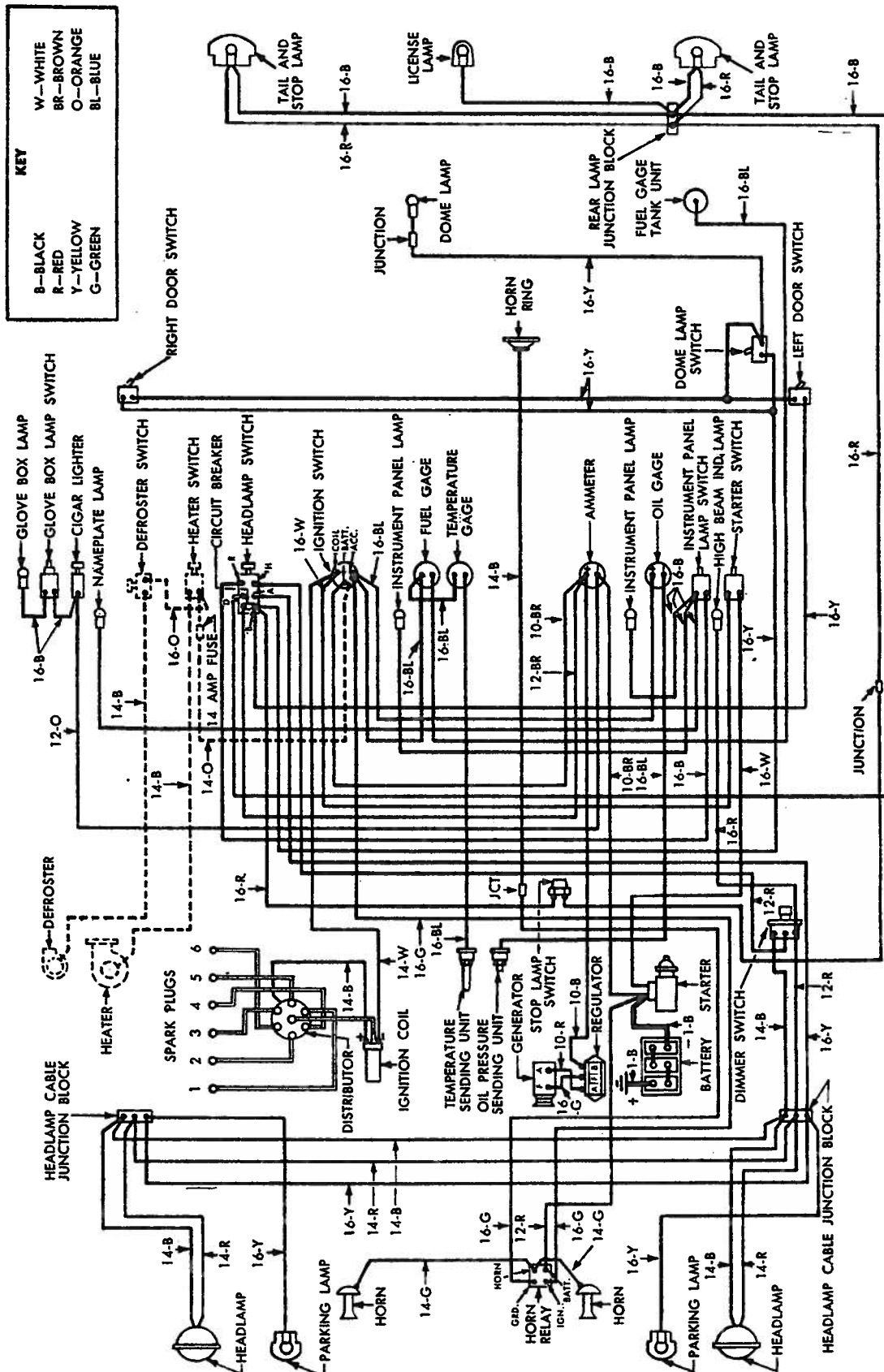
Item Part No.	Description	Price
1	200645—Glass	5.00
2	200678—Mold., garnish	.35
3	202920—W/S, glass, in.	.45
4	202047—W/S, glass, out.	.50
5	200771—Seal, vent. glass	1.00
6	202542—Vent., complete	15.75
7	200769—Frame & glass, vent.	8.00
8	200772—Pivot, vent., up.	.10
9	Bar, division, vent.	
10	200787—To K100-2019	1.50
11	203008—After K100-2019, 101, 481, 482	2.75
12	202287—W/S, div. bar	.40
13	202283—Chnl., glass run, up. rear	.30
14	202282—Chnl., glass run, low. rear	.35
15	200752—Spring, low. pivot	.10
16	200775—Stop, low. pivot	.10
17	200760—Shaft, vent. window	.40
18	200759—Hndl., vent. wndw.	.55
19	200764—Spring, key	.01
20	200762—Key, push button	.15
21	200763—Button, push	.15
22	202059—Escutcheon, push button	1.20
23	200658—Spring, reg. handle	.02
24	202169—Eschn., reg. hndl.	.40
25	202375—Handle, reg.	1.10
26	200595—Hinge, up.	1.65
27	200597—Hinge, low.	1.65
28	201568—Arm, check	.25
29	202904—Anti-squeak, hinge	.02
30	202410—W/S, hinge pil. face	.40
31	202405—W/S, door, up.	.80
32	202525—Door	57.50
33	200645—Handle, door, K100	
34	202480—Handle, door (die cast)	3.75
35	201904—Escutcheon (hndl. stamped), K100	.20
36	202481—Escutcheon (hndl. die cast)	.50
37	202406—W/S, door, low.	.90
38	200586—Cover, reg.	.45
39	202544—Reg., window	2.15



Item Part No.	Description	Price	Item Part No.	Description	Price	Item Part No.	Description	Price
35	200668—Lock, door	2.75	42	202168—Button, lock. rod, K100, 101	.15	44	202989—Button, rem. ctrl. push	1.70
37	200579—Plate, striker	1.00	42	203289—Button, lock. rod, K481, 482	.15	44	202988—Button, rem. ctrl. push, K100	1.70
38	200647—Channel, glass, low.	.60	43	202986—Rod, remote ctrl.	1.45	45	202200—Spring, push button	.03
39	200707—Lifter, glass	1.90				46	200730—Channel, glass run.	1.20
40	200580—Rod, locking	.15						
41	202538—Seal, window glass.	.20						

KAISER 1947 and 1948 WIRING

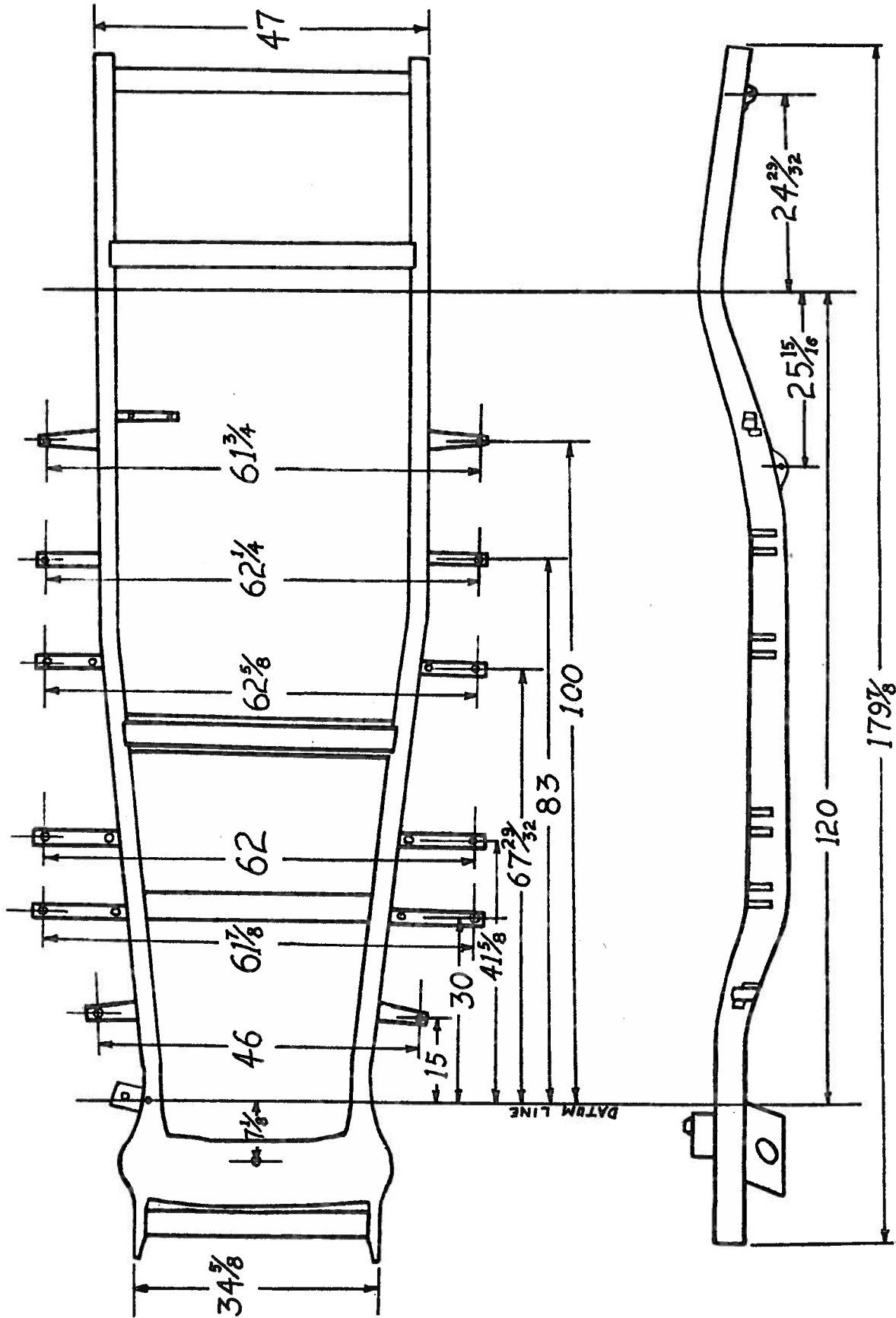
Models K100, K101; K481, K482. ALL BODY STYLES



Wiring diagram for Kaiser 1947-48 models

KAISER 1947 and 1948 FRAME

Models K100, K101, K481, K482. ALL BODY STYLES



1947-1948 Kaiser Frame

FLAT RATE 1947 and 1948 KAISER

Models K100, K101; K481, K482. ALL BODY STYLES

Chilton Job No.	Chilton Labor Price	Chilton Job No.	Chilton Labor Price	Chilton Job No.	Chilton Labor Price	Chilton Job No.	Chilton Labor Price	Chilton Job No.	Chilton Labor Price	Chilton Job No.	Chilton Labor Price	Chilton Job No.	Chilton Labor Price	Chilton Job No.	Chilton Labor Price
1	2.00	7	2.00	20x	10.00	9	3.25	2	25.00	1	60.00	11	82.00	2	28.00
2	1.75	8	1.25			10	2.00	3	20.00	2	25.00	12	20.00	3	20.00
3	3.50	9	3.50			11	3.25	4	1.75	3	22.00	13	1.75	4	1.75
4	16.50	10				12	3.75	5	4.00	4	20.00	14	4.50	5	4.50
4a		11	3.00			13	3.00	6	2.00	5	125.00	15	115.00	6	2.00
4b	2.00	12	4.50	1	6.50	14	3.00	7	4.00	6	115.00	16	2.00	7	2.00
4c	6.00	13	1.50	1a	28.00	15	1.25	8	4.00	7	45.00	17	2.00	8	4.00
5	10.00	14		2	20.00			9	3.00	7x	12.00	18	12.00	9	10.00
5a	3.00	15	.75	3	4.00			10	2.50	8	80.00	19	12.00	10	82.00
5b	4.00	16		4	1.75			11	3.25	9	80.00			11	
5c	3.00	17		6	4.00			12	3.75	7x	45.00			12	
5d	8.00	18	12.00	8	2.00			13	3.75	19	7.00			13	
6	16.00	19	4.00	7	2.00			14	3.25	8y	82.00			14	
		20	7.50	8	4.00					10	3.00			19	12.00

STEERING GEOMETRY

- | | | |
|--|---|---|
| <ul style="list-style-type: none"> 1. Pivot (Lower Arm) 2. Seal 3. Lubrication Fitting 4. Bushing Assy. (Lower Arm) 5. Reinforcement 6. Lower Suspension Arm Assy. (R.H.) 7. Front Sway Bar Support 8. Bolt, Washer & Nut (Sway Bar Support) 9. Steering Knuckle Support (R.H.) 10. Bushing Assy. 11. (See View B) 11A. Shim 11B. Shim 11C. Plain Washer 11D. Lock Washer 11E. Screw (Hex Head) 12. Upper Suspension Arm (L.H. & R.H.) 13. Upper Pivot (Inner) 14. Seal | <ul style="list-style-type: none"> 15. Cushion 16. Retainer 17. Retainer 18. Cushion 19. Retainer 20. Nut 21. Expansion Plug 22. King Pin 23. Steering Knuckle Support (R.H.) 24. Needle Bearing (King Pin) 25. Sway Eliminator Bar Link Nut (Upper) 26. Steering Knuckle Assy. (L.H.) 27. Thrust Bearing 28. Shims (Thrust Bearing) 29. Lubrication Fitting 30. Lower Suspension Arm Assy. (L.H.) 31. Lock Pin 32. Sway Eliminator Bar Link Nut (Lower) 33. Front Coil Spring | <ul style="list-style-type: none"> 34. Front Sway Bar Assy. 35. Upper Pivot (Outer) 36. Seal (Upper Pivot, Outer) 37. Seal (Lower Pivot, Outer) 38. Nut (Lower Pivot, Outer) 39. Cotter Pin 40. Lower Pivot (Outer) 41. Bushing (Lower Pivot, Outer) 42. Insulator (Upper) 43. Upper Seat 44. Retainer 45. Cushion 46. Lower Support 47. Insulator (Lower) 48. Spring Seat 49. Shock Seat (Lower) 50. Cushion 51. Retainer 52. Nut (Lower) |
|--|---|---|

CASTER: 1 degree negative to 1 degree positive.

CAMBER: Zero to 3/4 degree.

TOE-IN: Zero to 1/16 inches.

KING PIN INCLINATION: 5 1/2 to 6 degree.

ALL MODELS

Caster and camber adjusted by upper eccentric pin.

