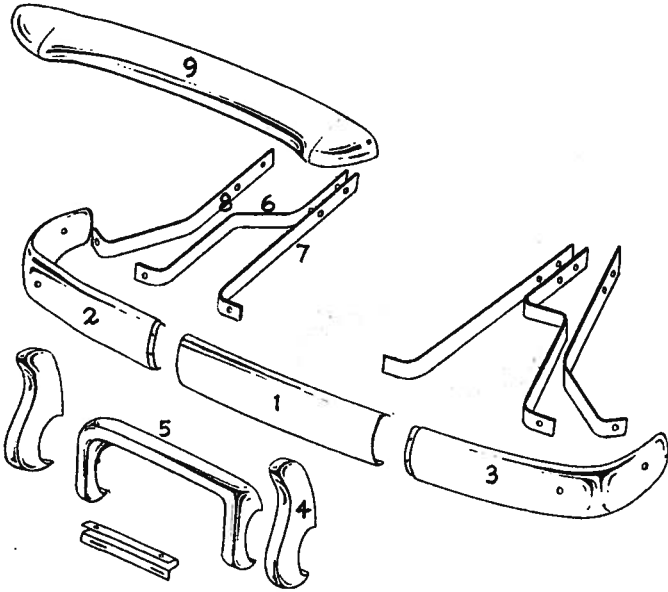


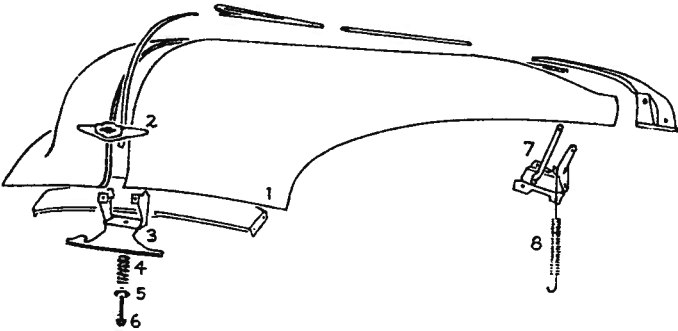
# CHEVROLET 1949 BODY PARTS

Series GJ and GK. ALL BODY STYLES



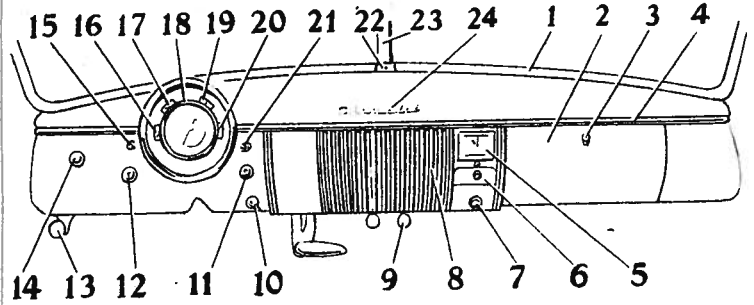
### FRONT BUMPER

Item Part No.	Description	Price	Item Part No.	Description	Price
1 3687956	Face bar, ctr.	3.85	6 3688285	Attaching bar	1.25
2 3687957	Left bar	5.00	7 3689380	Attaching bar	1.25
3 3687958	Right bar	5.00	8 3689379	Intermediate bar	1.25
4 3688199	Guard	2.40	9 3688439	Deflector	4.95
5 9862260	Grille guard	16.25			



### HOOD ASSEMBLY

Item Part No.	Description	Price	Item Part No.	Description	Price
1 3688053	Panel	12.50	5 3654458	Retainer	.06
2 3688050	Emblem	1.25	6 2227394	Bolt	.25
3 3688965	Plate, up.	1.35	7 3688409	Link assy.	1.75
4 3690914	Spring	.12	8 3689075	Spring	.75



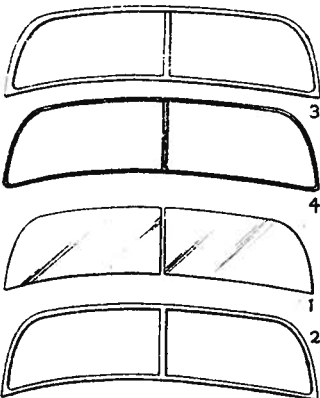
### INSTRUMENT PANEL

Item Part No.	Description	Price	Item Part No.	Description	Price
1 4568842	Mould., 2D, 6 cpe., 4D, st. spec.	2.75	14 1990662	Lighting switch, G.K.	.35
1 4568845	Mould., 2D, fl. del., 4D	2.75	15 1118135	Push switch	6.50
1 4568847	Mould., CBL.	2.75	16 1511842	Temp. gauge	5.00
1 4568849	Mould., sta. wag.	3.15	17 1516931	Gas gauge	3.50
1 4570919	Mould., 2D, 6 cpe., 4D, st. spec.	2.75	18 1568607	Cabe	.80
1 4571195	Mould., 2D, 4D, fl. spec.	2.75	19 1500853	Ammeter	1.90
2 4568891	Door, closed and sta. wag.	3.45	20 1506999	Oil gauge	2.50
3 4099315	Knob, closed and sta. wag.	.65	21 4562157	Knob, ser. 1200	.95
4 3688250	Mould.	.05	21 4570976	Knob, ser. 1000	.55
5 986261	Clock, hand wind	9.50	22 4568836	Escutcheon, ser. 1200	.23
5 986271	Clock, electric	18.50	22 4568839	Escutcheon, ser. 1000	.23
6 986266	Ash tray, ser. 1200	2.95	23 4568828	Mould., fitin.	.50
7 986236	Lighter	2.75	23 4568829	Mould., CBL.	.50
7 986329	Lighter	9.00	23 4568830	Mould., sta. wag.	.50
8 3688250	Grille	.05	23 4570917	Mould.	.50
9 1990682	Air vent. rod	.85	23 4573837	Mould., ser. 1200	.50
10 1116452	Switch	1.50	23 4573838	Mould., 2D, 6 cpe., 4D	.50
11 1991597	Choke rod, G.L.	.95	23 4573841	Mould., 4D, fl. del., 2D, fl. del.	.50
11 1991582	Choke rod, G.K.	.95	23 4573843	Mould., 4D, fl. spec., 2D, fl. spec.	.50
12 1992580	Throttle rod, G.L.	.95	23 4573845	Mould., sta. wag.	.50
12 1992566	Throttle rod, G.K.	.95	23 4573852	Mould., CBL.	.50
13 3664667	Hood catch	1.00	24 3688429	Mould., closed and sta. wag.	.45
14 1990676	Lighting switch, G.L.	.35	24 3688963	Name plate, sta. wag.	.50

### WINDSHIELD

#### 4-DOOR SEDANS

Item Part No.	Description	Price
1 4561511	Glass, 1069-1269	20.00
1 4561513	Glass, 1008-1208	19.00
1 4564410	Glass, sta. wag.	22.50
2 4562245	Out. mould., closed	.85
2 4562246	Out. mould., fitin.	.85
2 4563626	Out. mould., sta. wag.	.85
2 4573832	Out. mould., closed	.85
2 4573833	Out. mould., fitin.	.85
2 4573834	Out. mould., sta. wag.	.85
3 4568842	Gar. mould., 1269	2.75
3 4568845	Gar. mould., 1008	2.75
3 4570919	Gar. mould., 1069	2.75
3 4571195	Gar. mould., 1208	2.75
4 4564076	Wndshid. rubber, 1069	6.25
4 4564077	Wndshid. rubber, 1269	6.25
4 4564078	Wndshid. rubber, 1008	6.25
4 457095	Wndshid. rubber, 1208	6.25



### WINDSHIELD

#### COUPES

Item Part No.	Description	Price
1 4561511	Glass, 1027-1227	20.00
2 4573832	Out. mould., closed	.85
2 4562245	Out. mould., closed	.85
3 4568842	Gar. mould., 1227-27B	2.75
3 4570919	Gar. mould., 1027	2.75
4 4564076	Wndshid. rubber, 1027	6.25
4 4564077	Wndshid. rubber, 1227-27B	6.25
4 4573854	Wndshid. rubber, 1027	6.25
4 4573855	Wndshid. rubber, 1227-27B	6.25

### WINDSHIELD

#### 2-DOOR SEDANS

Item Part No.	Description	Price
1 4561511	Glass, 1011-1211	20.00
1 4561513	Glass, 1007-1207	19.00
2 4562245	Out. mould., closed	.85
2 4573832	Out. mould., closed	.85
3 4568845	Gar. mould., 1007	2.75
3 4570919	Gar. mould., 1011	2.75
3 4571195	Gar. mould., 1207	2.75
4 4573856	Wndshid. rubber, 1007	6.25
4 4570905	Wndshid. rubber, 1207	6.25
4 4564078	Wndshid. rubber, 1007	6.25

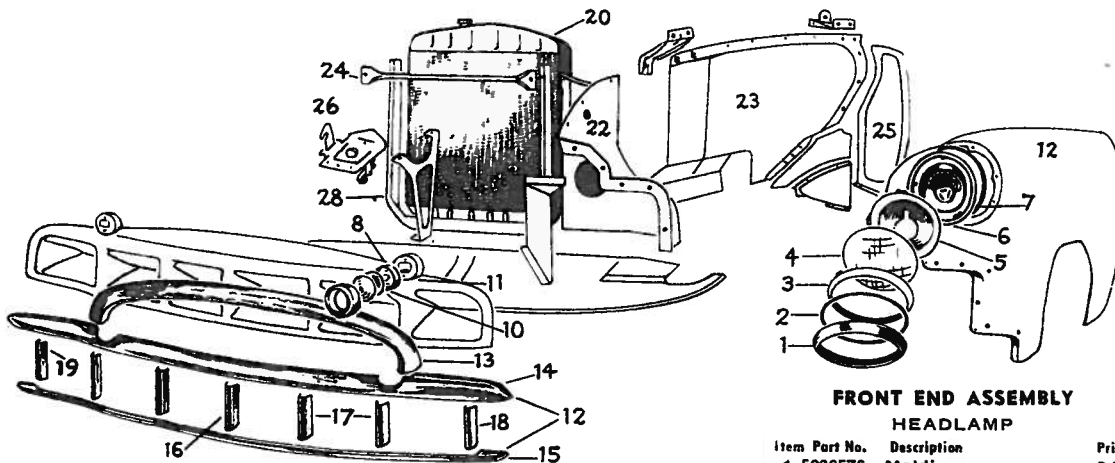
### WINDSHIELD

#### CABRIOLET

Item Part No.	Description	Price
1 4561792	Glass	19.00
2 4562247	Mould., outer	.85
2 4573835	Mould., outer	.85
3 4568847	Gar. mould.	2.75
4 4564079	Wndshid. rubber	6.25
4 4573857	Wndshid. rubber	6.25

# BODY PARTS 1949 CHEVROLET

## Series GJ and GK. ALL BODY STYLES



### FRONT END ASSEMBLY HEADLAMP

Item Part No.	Description	Price
1	5936576—Molding	2.35
2	5930594—Seal	.20
3	924534—Ring	1.10
4	925000—Sealed beam	1.25
5	5936747—Sub. body	3.06
6	5938179—Wiring	1.35
7	3691000—Gasket	.17

### PARKING LAMP

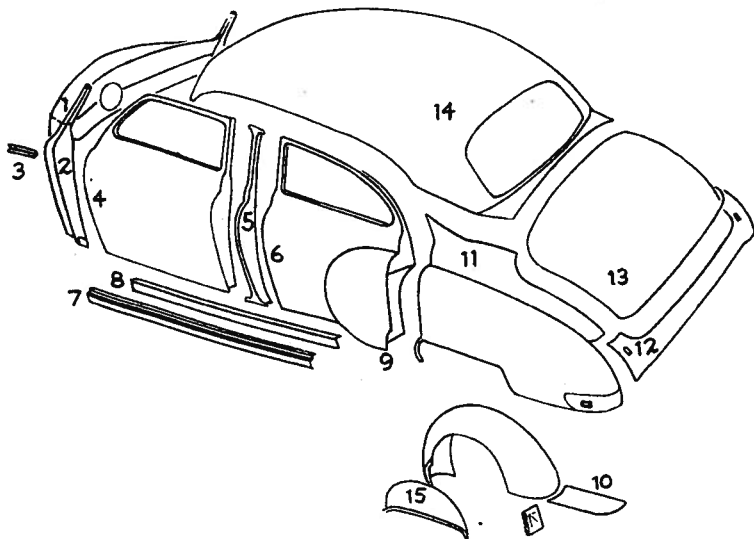
Item Part No.	Description	Price
8	928541—Lamp assy.	4.50
9	5938155—Lens	.45
10	5938157—Gasket	.10
11	5938158—Socket wire	.70
12	3690631—Front fender	21.00

### GRILLE

Item Part No.	Description	Price
12	3688406—Grille, less chrome	6.00
13	3688762—Midg., upr. cher.	7.75
14	3688271—Midg., ctr.	6.90
15	3688380—Midg., lower	6.90
16	3688381—Midg., ctr. vertical	.70
17	3688382—Midg., inner vert.	.70
18	3688383—Midg., outer L.	.70
19	3688384—Midg., outer R.	.70

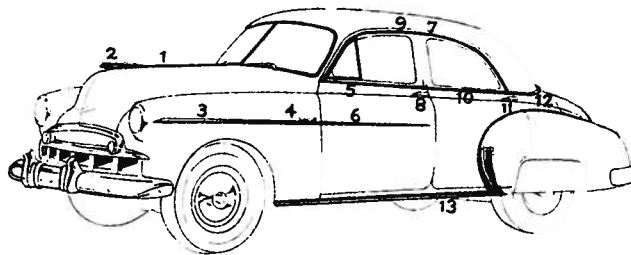
### COOLING

Item Part No.	Description	Price
20	3122692—Rad. core	49.75
21	3688458—Rad. support	4.45
22	3688519—Skirt, front	4.25
23	3688551—Skirt, rear	5.45
24	3688707—Brkt.	.85
25	3688476—Baffle	2.75
26	3688776—Seal	.30
27	3692153—Wheel cover	.35
28	3688793—Plate assy.	1.50
29	375437—Guide rod wire	.03
30	3664667—Rod tube	1.00



### BODY SHEET METAL 4-DOOR SEDAN-STATION WAGON

Item Part No.	Description	Price	Item Part No.	Description	Price
1	4561397—Cowl assy., 4 dr., 1269	84.50	10	4562724—Gravel, deflector, all sta. wag.	.85
1	4571243—Cowl dash assy., 1008-1208	84.50		4566105—Post rear quarter corner, sta. wagon	43.50
2	4562035—Lower panel, 4 D. station wagon	5.50	QUARTER PANEL		
3	4561160—Side rail, 1069-1269	11.00	11	4563164—Panel, 1008-1208	37.50
3	4562291—Side rail, 1207-1208	10.00	11	4564339—Panel, 1069-1269	37.50
4	4566836—Front door panel, 1061	3.00	11	4565112—Panel, 1062	49.50
4	4562782—Panel, 1069-1269	14.00	11	4570752—Frame assy., sta. wag., 1061	165.00
4	4562870—Panel, 1008-1208	14.00	11	4560535—Panel, low., sta. wag., 1062	12.50
4	4571053—Left low., sta. wag.	18.50	11	4558919—Panel, L., 1069-1269	17.50
CENTER PILLAR			11	4559120—Panel, L., 1008-1208	17.50
5	4561431—Ctr. pilr., 1008-1208	15.75	REAR END PAN		
5	4561436—Ctr. pilr., 1008-1208	15.75	12	4561123—Pan., 1008-1208	9.25
5	4561438—Ctr. pilr., sta. wag.	18.50	12	4561124—Pan., 1069-1269	8.50
5	4566037—Ctr. pilr., sta. wag.	28.50	12	4562692—Pan. sta. wag. 1062	6.50
REAR DOOR			REAR DECK LID		
6	4571213—Panel, 1008-1208	14.00	13	4571840—Lid, 1069-1269	33.50
6	4562820—Panel, 1069-1269	14.00	13	4559140—Lid, 1008-1208	33.50
6	4571057—Lower panel, sta. wag.	19.50	ROOF PANEL		
ROCKER PANEL			14	3692556—Panel, 1008-1208	49.50
7	4169440—Panel, outer, all sta. wag.	9.50	14	3692557—Panel, 1069-1269	49.50
8	4563813—Panel, inner, all sta. wag.	4.75		4565113—Panel, sta. wag.	68.50
WHEELHOUSE			FENDER PANEL COVER		
9	4559483—Wheelhouse, 1008-69-1208-69	11.50	15	4561124—Wheel cover, 4 D., F.L. Del., FL. Spec.	8.50
9	4622339—Whhse., sta. wag.	11.50	15	4561125—Wheel cover, 4 D., FL., St. Del., FL. Spec.	8.50
			15	3692147—Wheelshield	6.75
			15	986290—Panel unit, complete	14.50

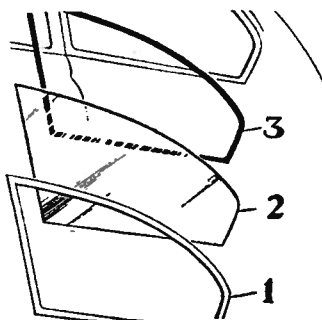


### BODY MOULDING

Item Part No.	Description	Price	Item Part No.	Description	Price
1	3688255—Hood mldg.	.65	8	4168382—Handle, 1061	3.25
1	3688257—Mldg.	.65	8	4168322—Handle, 1062-69-1269	2.25
2	3688253—Ornament, prod.	3.00	CENTER PILLAR		
2	986254—Ornament	7.75	9	4564586—Mdg., 1008-69	.30
FRONT FENDER			REAR DOOR MOULDING		
3	3689053—Mldg.	1.65	10	4560683—Mldg., 1069	1.95
4	3692093—Name plate, deluxe, GK	.50	10	4561186—Mldg., 1008	2.10
DOOR MOULDING			REAR DOOR HANDLE		
5	4561290—Mldg., upr.	1.85	11	4168323—Handle, 1062-69-1269	2.25
5	4564417—Mldg., sta. wag.	2.35	BELT MOULDING		
6	4560098—Mldg., lower, Ser. 1069	1.95	12	4561340—Mldg., 1069-1269	1.75
WINDOW MOULDING			12	4561338—Mldg., 1008-1208	1.75
7	4560585—Mldg., 1069	1.95	12	4561873—Mldg., 1069-1269	1.75
7	4560784—Mldg., 1008	1.95	12	4562912—Mldg., 1008-1208	1.85
FRONT HANDLE			13	3688947—Sill mldg.	3.65

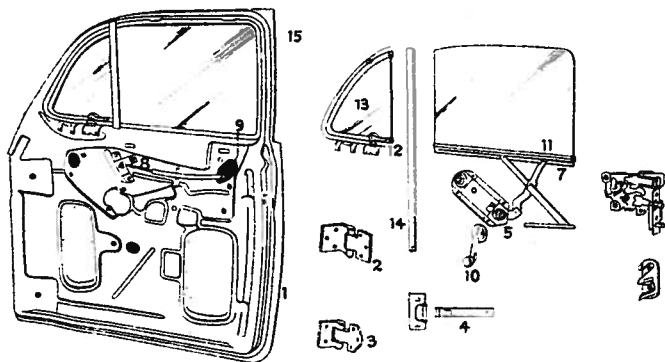
### REAR QUARTER WINDOW 2-DOOR SEDANS

Item Part No.	Description	Price
1	4561152—Quar. w/reveal, 1011	1.75
1	4561911—Quar. w/reveal, 1007	1.75
2	4561036—Quar. w/glass, 1011-1211	11.25
2	4562221—Quar. w/glass, 1007-1207	11.25
3	4099014—W/strip., 1007-11-1207-11	3.80
	4561574—Quar. w/rgltr., 1007-11-1207-11	3.80
COUPES		
1	4561732—Quar. w/reveal, 1027	1.55
2	4561939—Quar. w/glass, 1027	7.55
2	4562015—Glass, 1227-27B	6.30
3	4562385—W/strip., 1027	.20
3	4567736—Quar. w/glass rubber, 1227-27B	.....
CONVERTIBLE COUPE		
2	4562415—Glass, 1067	7.25
3	4562593—W/strip., 1067	1.65
	4562705—Regltr., 1067	3.80



# CHEVROLET 1949 BODY PARTS

## Series GJ and GK. ALL BODY STYLES



**FRONT DOOR**  
4-DOOR SEDANS

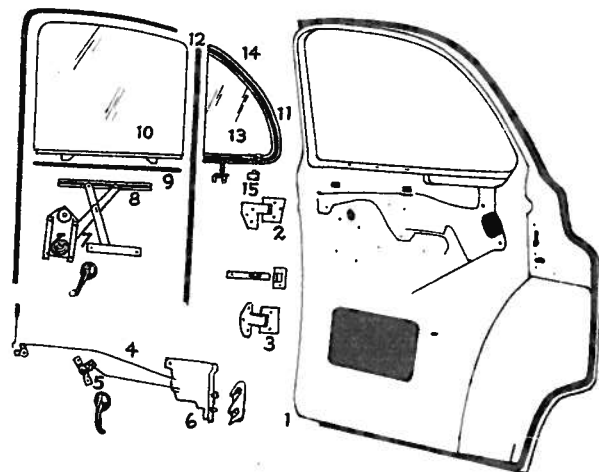
Item Part No.	Description	Price
<b>Front Door, Less Paint Trim</b>		
1 4568750	Door, less paint, 1008-1208	39.25
1 4568767	Door, less paint, 1069-1269	40.00
1 4565570	Door, less paint, sta. wag.	40.00
1 4572232	Door, less paint, sta. wag.	145.00
2 4559290	Hinge, up., 4 D and sta. wag.	2.15
3 4559290	Hinge, lower, 4 D and sta. wag.	2.15
4 4559989	Link	.40
4 4562597	Link	.12
4 4562611	Link, sta. wag.	.12
4 4566753	Link, sta. wag.	.12
5 4559559	Regulator	4.65
5 4564802	Regltr., sta. wag.	4.65
6 4560815	Lock	4.25
7 4099974	Cam	.35
8 4562602	Remote control	.85
8 4563369	Control, sta. wag.	.85
9 4568396	Knob, ser. 1200	.12
9 4568395	Knob, ser. 1000	.12
10 4099781	Handle, inside, sta. wag.	1.00
10 4564254	Handle, inside, closed	.85
4565043	Plate	.05
4551579	Plate, sta. wag.	.45
4078002	Spring	.06
4168322	Handle, outside, closed, sta. wag.	2.25
4168382	Handle, 1061	3.25

**WINDOW GLASS**

Item Part No.	Description	Price
11 4559295	Glass, 1069-1269	9.00
11 4560558	Glass, 1008-1208	8.25
11 4566721	Glass, sta. wag.	8.65
11 4566722	Glass, sta. wag.	8.25
4566989	Rain deflector, 1061	.70
4562053	Deflector, 1069-1269	.60
4563023	Deflector, 1008-1208	.60

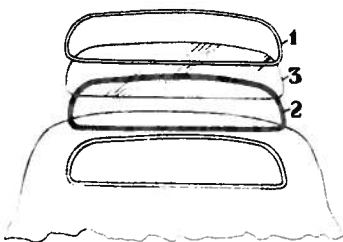
**VENTILATOR ASSEMBLY**

Item Part No.	Description	Price
12 4561294	Vent. assy., 1008-1208	10.95
12 4559577	Vent. assy., closed and sta. wag.	10.95
13 4560574	Glass, 4D, sed.	3.35
13 4561275	Glass, closed and sta. wag.	3.50
14 4167996	Channel, 4D	4.65
14 4167985	Channel, closed and sta. wag.	4.65
14 4045914	Channel, closed and sta. wag.	1.65
15 4102157	W/strip., sta. wag.	.85
15 4168195	W/strip.	1.25
4568864	Mould., 1069	8.75
4568862	Mould., 1269	8.05
4570637	Mould., 1208	7.35
4568866	Mould., 1008	8.75
4566068	Mould., sta. wag.	16.00
4568901	Mould., sta. wag.	11.50
4566772	Mould., sta. wag.	10.50
4167989	Locking handle, closed and sta. wag.	.75



**REAR DOOR**  
4-DOOR SEDANS

Item Part No.	Description	Price	Item Part No.	Description	Price
1 4169449	Panel, out., 4D and sta. wag.	9.50	4565043	Plate	.05
4563813	Panel, in., 4D and sta. wag.	4.75	4551579	Plate, sta. wag.	.45
1 4559146	Door, less paint, 1008	42.50	4566746	Spring, all models	.08
1 4560298	Door, less paint, 1069-1269	42.50	<b>REAR DOOR GLASS</b>		
1 4565578	Door, less paint, sta. wag.	46.50	10 4559296	Glass, 1069-1269	9.25
1 4571215	Door, less paint, 1208	42.50	10 4560991	Glass, 1008-1208	9.75
1 4572301	Door, less paint, sta. wag, wood	115.00	10 4566723	Glass, sta. wag.	14.50
2 4559412	Hinge, up., 1008-1069	2.50	10 4566724	Glass, sta. wag.	13.75
2 4565793	Hinge, up., sta. wag, wood	2.95	10 4560086	Glass, 1269	3.25
3 4559315	Hinge, low., 1008-1069, sta. wag.	2.50	10 4570656	Glass, 1208	2.50
3 4565737	Hinge, low., sta. wag, wood	4.75	<b>VENTILATOR ASSEMBLY</b>		
4 4562595	Link, 1069-1269	.12	11 4561625	Vent. assy., 1008	10.35
4 4564987	Link, sta. wag.	.12	11 4559579	Vent. assy., 1269	10.35
4 4566832	Link, sta. wag, wood	.12	12 4167998	Channel, 1008	4.25
4 4572893	Link, 1008-1208	.12	12 4168000	Channel, 1069	4.25
4 4561140	Link check, 4D and sta. wag.	.40	12 4563069	Channel, 1269	1.75
4 4566686	Link check, sta. wag, wood	.40	12 4570883	Channel, 1008	2.25
5 4562602	Control, 4D, sed.	.85	12 4568935	Channel, 1269	3.15
5 4563369	Control, sta. wag.	.85	12 4559563	Channel, 1069	3.15
6 4560817	Lock, 4D and sta. wag.	4.50	12 4561629	Channel, 1008	3.15
7 4561641	W/regulator, rear door	3.95	12 4570768	Channel, 1208	2.65
8 4091249	Cam, rear door	.40	12 4075477	Channel, sta. wag.	1.95
9 4167917	Bead, 1008	1.15	12 4074354	Channel, sta. wag.	1.15
9 4167919	Bead, 1069	1.15	13 4560086	Glass, 1269	3.25
4568089	Mould., sta. wag.	7.75	13 4670656	Glass, 1208	2.50
4566332	Mould., sta. wag.	11.85	13 4559589	Glass, 1069	3.25
4167989	Handle, 1008-1069, sta. wag.	.75	13 4560940	Glass, 1008	2.45
			14 4168188	W/strip., 1069	1.25
			14 4168190	W/strip., 1008	1.25
			15 4167989	Regltr., 4D and sta. wag.	.75
			4568874	Mould., 1069	8.75
			4568876	Mould., 1269	8.05
			4568878	Mould., 1008	9.00
			4568898	Mould., sta. wag.	12.75
			4570641	Mould., 1208	8.75
			4570272	Deflector, 1069	1.45
			4570276	Deflector, 1008	1.25
			4101913	Garmmet, up., 1008-1069	.12
			4101915	Garmmet, low., 1008-1069	.12



**REAR WINDOW**  
4-DOOR SEDANS

Item Part No.	Description	Price
1 4559990	Glass, 1008-1208	15.50
1 4559993	Glass, 1069-1269	15.50
2 4561488	Mould., 1069	2.50
2 4561722	Mould., 1069	1.00
2 4562138	Mould., 1008	3.25
3 4564356	Rear w/glass rubber, 1069	2.75
3 4564356	Rubber channel, 1269	3.75
3 4564357	Rubber channel, 1069	3.75
3 4564358	Rubber channel, 1008	3.50

**REAR WINDOW**  
2-DOOR SEDANS

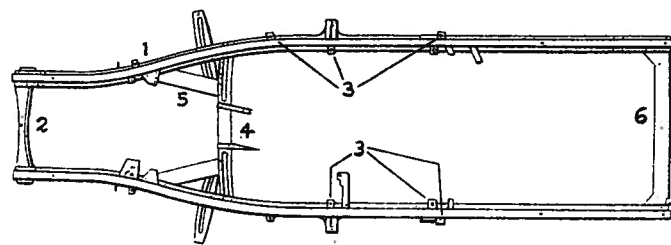
Item Part No.	Description	Price
1 4559990	Glass, 1007-1207	15.50
1 4559993	Glass, 1011-1211	15.50
2 4561488	Mould., 1011	2.50
2 4561722	Mould., 1011	1.00
2 4562138	Mould., 1007	3.25
3 4564358	Rear w/glass rubber, 1007	3.50
3 4564356	W/glass rubber, 1211	3.75
3 4570888	W/glass rubber, 1207-08	3.50

**REAR WINDOW**  
COUPE

Item Part No.	Description	Price
1 4561843	Glass, 1027-1227-B	13.75
2 4561467	Mould., 1027	2.50
2 4561818	Mould., 1227	1.00
3 4564359	Rear w/glass rubber, 1227-27B	3.50
3 4564360	W/glass rubber, 1027	3.50

**REAR WINDOW**  
CABRIOLET

Item Part No.	Description	Price
1 4117576	Glass	4.20

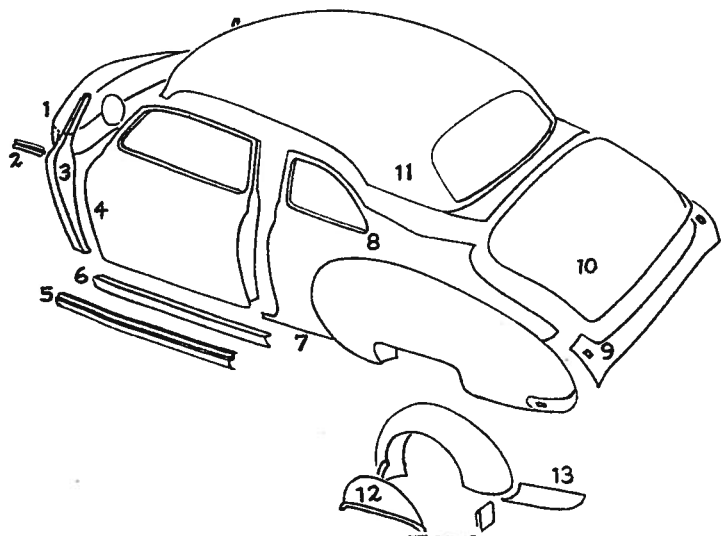


**FRAME**

Item Part No.	Description	Price	Item Part No.	Description	Price
1 3692243	Frame, all pass.	65.00	4 3690339	Cross member, No. 2	3.75
1 3692245	Frame, CBL.	120.00	5 3690355	Brace	2.90
3691555	Cross member, No. 1	22.75	6 3687920	Cross member, rear	3.75
2 3688035	Member rod supt.	1.75			
3 3688045	Bracket	2.00			

# BODY PARTS 1949 CHEVROLET

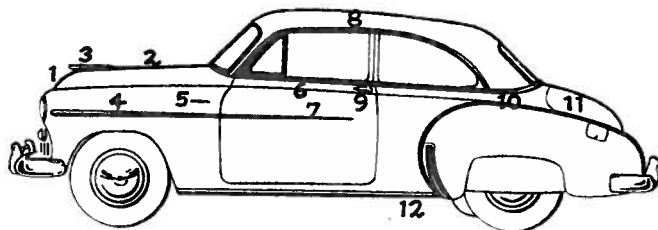
## Series GJ and GK. ALL BODY STYLES



### BODY SHEET METAL

#### 2-DOOR SEDANS

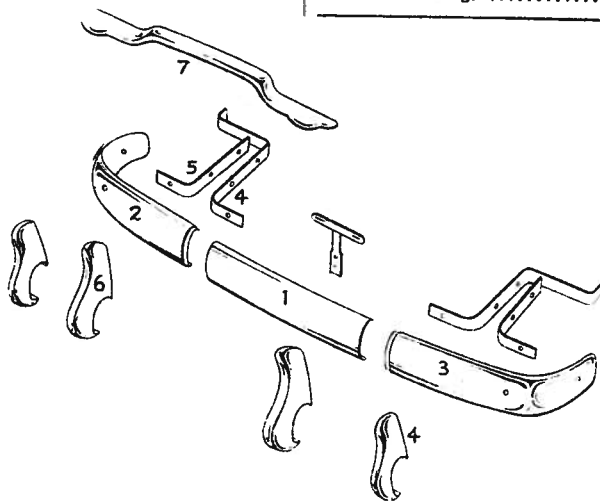
Item Part No.	Description	Price	Item Part No.	Description	Price
1 4561397	Cowl assy., 2 D., 1011-1211	84.50	8 4564762	Panel, 1011-1211	49.50
1 4571243	Cowl dash assy., 2 D., 1007-1207	84.60	8 4571207	Panel, L., 1007-1207	31.50
2 4562035	Lower, all	5.50	8 4559358	Panel, L., 1011-1211	31.50
3 4561160	Side rail, 1011-1211	11.00	<b>REAR END PAN</b>		
3 4562291	Side rail, 1007-1207	10.00	9 4561123	Pan, 1007-1207	9.25
<b>DOOR</b>			9 4561124	Pan, 1011-1211	8.50
4 4562830	Panel, 1011-1211	15.55	<b>REAR DECK LID</b>		
4 4562848	Panel, 1007-1207	15.55	10 4571840	Lid, 1011-1211	33.50
<b>ROCKER PANEL</b>			10 4559140	Lid, 1007-1207	33.50
5 4169449	Panel, outer, all	9.60	<b>ROOF PANEL</b>		
6 4563813	Panel, inner, all	4.75	11 3692556	Panel, 1007-1207	49.50
<b>WHEELHOUSE</b>			11 4564767	Panel, 1011-1211	49.50
7 4559485	Wheelhouse	11.50	<b>FENDER PANEL</b>		
<b>QUARTER PANEL</b>			12 4561123	Wheel cover	9.25
8 4571237	Panel, 1007-1207	49.50	12 4561125	Wheel cover	8.50
			13 4562724	Gravel deflector	.85



### BODY MOULDING

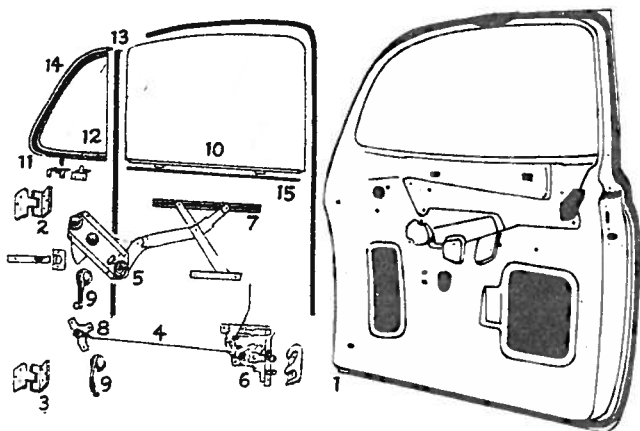
#### 2-DOOR SEDANS

HOOD MOULDING			WINDOW MOULDING		
Item Part No.	Description	Price	Item Part No.	Description	Price
1 3688255	Midg., top, front..	.65	8 4560569	Midg., 1011	1.95
2 3688257	Rear midg. ....	.65	8 4560782	Midg., 1007	1.95
3 3688253	Ornament, prod. ...	3.00	<b>DOOR HANDLE</b>		
3 986254	Ornament	7.75	9 4168322	Handle	2.25
<b>FENDER MOULDING</b>			<b>BELT MOULDING</b>		
4 3689053	Midg. ....	1.65	10 4562044	Midg., 1011-1211	3.25
5 3692093	Name plate, GK...	.50	10 4563261	Midg., 1007-1207	2.50
<b>DOOR MOULDING</b>			<b>REAR FENDER MOULDING</b>		
6 4561292	Midg., upr. ....	2.00	11 4561543	Midg. ....	3.15
7 4560098	Midg., lower, Ser. 1011	1.95	11 4562959	Midg., 1007-1207	.45
			11 4562321	Midg., 1011-1211	.55
			<b>SILL MOULDING</b>		
			12 3688947	Midg. ....	3.65



### REAR BUMPER

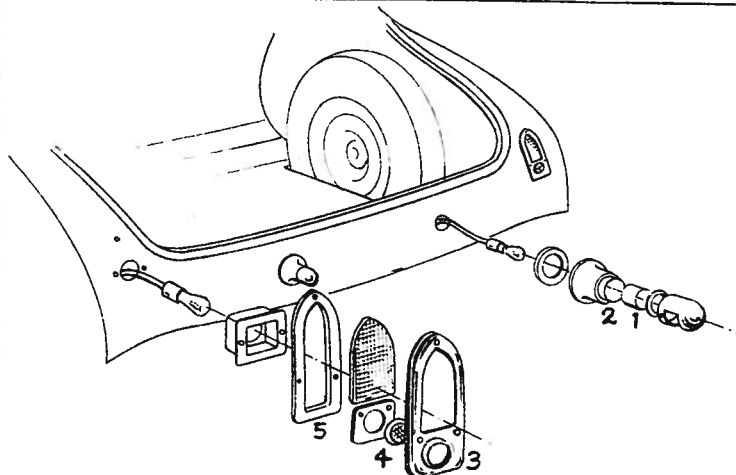
Item Part No.	Description	Price	Item Part No.	Description	Price
1 3687961	Face bar, ctr. ....	4.50	5 3688293	Attaching, outer ..	1.00
2 3688041	Outer left	5.00	6 3688200	Guard	2.40
3 3688042	Outer right	5.00	7 3688583	Deflector	2.50
4 3688291	Attaching bar, in.	1.65			



### FRONT DOOR

#### 2-DOOR SEDANS

Item Part No.	Description	Price	Item Part No.	Description	Price
1 4568771	Door, less paint, 1007-1207	44.75	10 4561192	Glass, 1007-1207	10.75
1 4560304	Door, less paint, 1007-1207	44.75	10 4559940	Glass, 1011-1211	11.50
2 4539290	Hinge, up.	2.15	4562053	Rain deflector, 1011-1211	.60
3 4539290	Hinge, low.	2.15	4563023	Deflector, 1007-1207	.60
4 4561812	Link rod	.15	<b>VENTILATOR ASSEMBLY</b>		
5 4561303	Regulator	5.25	11 4561294	Vent. assy., 1007-1207	10.95
6 4560815	Lock	4.25	12 4560574	Glass	3.35
7 4099974	Cam	.35	13 4167996	Channel	4.65
8 4562602	Remote control	.85	14 4168195	W/strip.	1.25
4568396	Knob, ser. 1200	.12	15 4568870	Mould., 1011	9.25
4568395	Knob, ser. 1000	.12	15 4568872	Mould., 1211	8.35
9 4564254	Handle, inside	.85	15 4571103	Mould., 1207	7.85
4565043	Plate	.05	15 4568868	Mould., 1007	9.25
4078002	Spring	.06	4167989	Locking handle	.75
4168322	Handle, outside	2.25			



### LICENSE LAMP

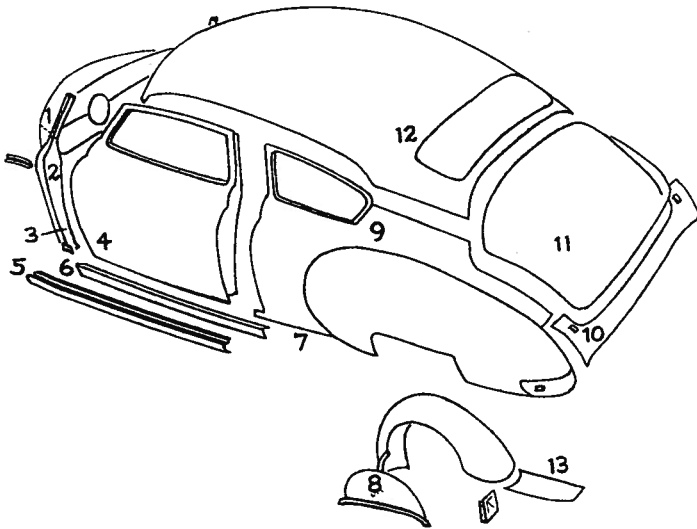
1 927656	Lamp	3.35
2 5938832	Lens	.30

### STOP AND TAIL LAMP

3 927577	Tail lamp	4.95
4 5931431	Tail lamp jewel	.05
5 593786	Lens	.55

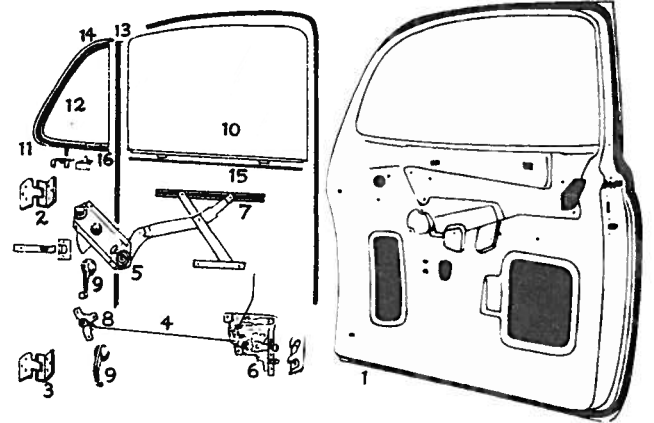
# CHEVROLET 1949 BODY PARTS

Series GJ and GK. ALL BODY STYLES



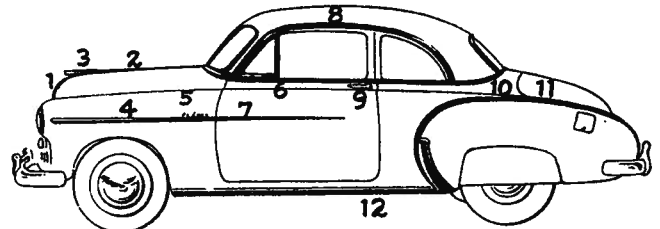
### BODY SHEET METAL COUPES

Item Part No.	Description	Price	Item Part No.	Description	Price
1	4561397—Cowl dash assy., 6 cpe., 3 cpe., 27, 27B	84.50	9	4565075—Panel, 1027-1227-27B	49.50
2	4132431—Side panel, upr., all	4.30	9	4559427—Panel, L., 1027-1227-27B	31.50
3	4562035—Lower, all	5.50		<b>REAR END PAN</b>	
3	4561160—Lower, 6 cpe., 3 cpe.	11.00	10	4561125—Pan, 6 cpe., cv. cpe., 3 cpe.	8.50
	<b>DOOR</b>		11	4571838—Lid	38.75
4	4562836—Panel, 1027-1227-27B	15.55		<b>ROOF PANEL</b>	
	<b>ROCKER PANEL</b>		12	4565080—Panel, 1027-1227-27B	46.50
5	4169449—Panel, outer, all	9.50	13	4562724—Gravel deflector	.85
6	4583813—Panel, inner	4.75		This Applies to Body Style	
7	4559485—Wheel housing, 6 cpe., 3 cpe.	8.50			
8	4571663—Wheel cover	1.75			
8	4561125—Wheel cover	1.75			



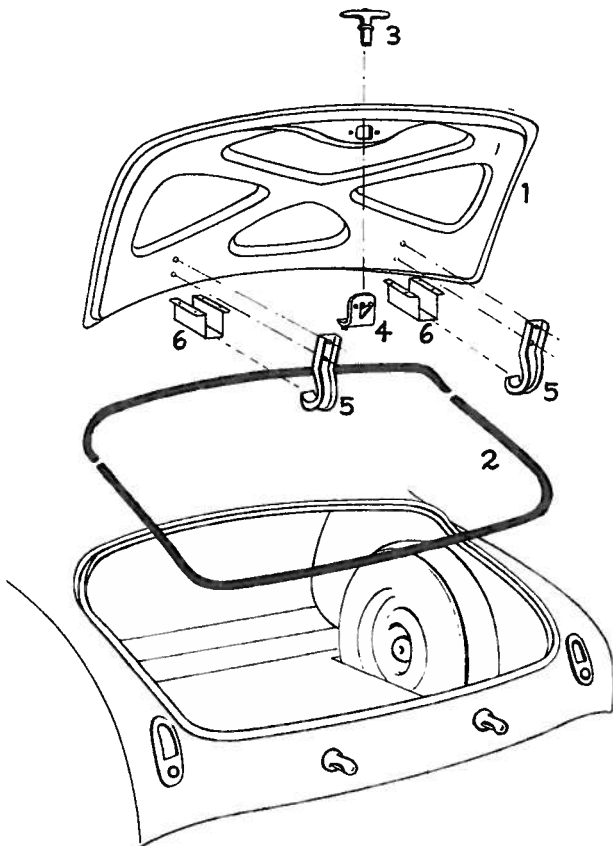
### FRONT DOOR COUPES

Item Part No.	Description	Price	Item Part No.	Description	Pr
1	4560306—Door, 1027-1227-B.	44.75	11	4559577—Vent. assy.	10.
2	4559290—Hinge, up.	2.15	12	4561275—Glass	3.
3	4559290—Hinge, low.	2.15	13	4167985—Channel	4.
4	4561812—Link rod	.15	13	4045914—Channel	1.
5	4561303—Regulator	5.25	14	4168195—W/strip.	1.
6	4560815—Lock	4.25	15	4568858—Mould., 1027-1027-1227-27B	9.
7	4099974—Cam	.35	15	4568860—Mould., 1227-27B	8.
8	4562602—Remote control	.85		<b>VENTILATOR ASSEMBLY</b>	
8	4568396—Knob, ser. 1200	.12			
8	4568395—Knob, ser. 1000	.12			
9	4564254—Handle, inside	.85			
9	4565043—Plate	.05			
4078002	Spring	.06			



### BODY MOULDING COUPES

HOOD MOULDING			DOOR MOULDING		
Item Part No.	Description	Price	Item Part No.	Description	P
1	3688255—Mldg.	.65	6	4561292—Mldg., up.	2
2	3688257—Rear mldg.	.65	7	4560098—Mldg., L., 1027	1
3	3688253—Ornament prod.	3.00		<b>WINDOW MOULDING</b>	
3	986254—Ornament	7.75	8	4560571—Mldg., 1027	2
	<b>FENDER MOULDING</b>		9	4168322—Door handle	2
4	3689053—Mldg.	1.65	10	4561956—Belt Mldg.	3
5	3692093—Name plate GK	.50	11	4562921—Rear fender mldg.	3
			12	3688947—Sill Mldg.	3



### REAR DECK LID 4-DOOR SEDANS

Item Part No.	Description	Price
1	4571840—Lid, 1069-1269	33.50
1	4559140—Lid, 1008-1208	33.50
2	4565926—W/strip., 1008-1208	2.85
2	4571872—W/strip., 1269	2.65
2	4573809—W/strip., 1008-1208	3.00
3	4167893—Handle	2.45
3	4562304—Handle, sta. wag.	2.75
4	4560685—Lock	2.35
4	4162304—Lock, sta. wag.	5.95
5	4167932—Hinge strap, 1269	2.85
5	4167936—Hinge strap, 1008-1208	2.85
6	4167930—Box, 1269	1.55
6	4167935—Box, 1008-1208	1.75

### REAR DECK LID 2-DOOR SEDANS

Item Part No.	Description	P
1	4571840—Lid, 1011-1211	33
1	4559140—Lid, 1007-1207	33
2	4573804—W/strip., 1007-1207	2
2	4571872—W/strip., 1211	2
3	4573809—W/strip., 1007-1207	3
3	4167893—Handle	2
4	4560685—Lock	2
5	4167932—Hinge strap, 1211	2
5	4167936—Hinge strap, 1007-1207	2
6	4167930—Box, 1211	1
6	4167935—Box, 1007-1207	1

### REAR DECK LID CABRIOLET

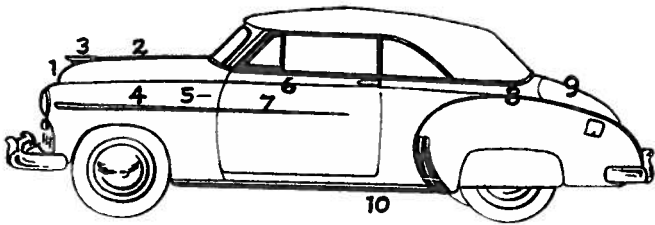
Item Part No.	Description	Price
1	4571838—Lid	38.75
2	4573805—W/strip.	2.85
2	4573810—W/strip.	3.35
3	4167893—Handle	2.45
4	4560685—Lock	2.85
5	4167942—Hinge strap	2.85
6	4167941—Box	1.55

### REAR DECK LID COUPES

Item Part No.	Description	P
1	4571838—Lid	38
2	4573805—W/strip.	2
2	4573810—W/strip.	2
3	4167893—Handle	2
4	4560685—Lock	2
5	4167939—Hinge strap	2
6	4167938—Box	2

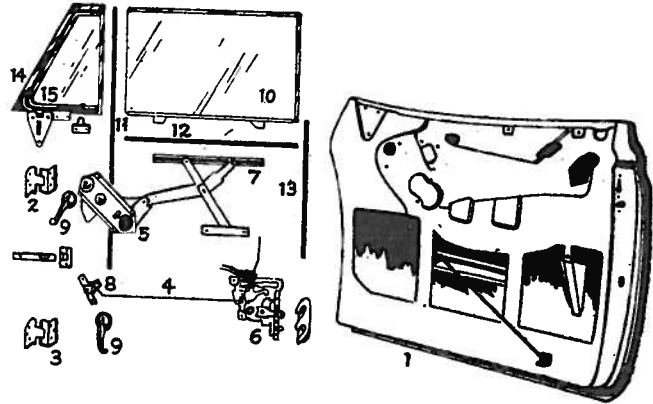
# BODY PARTS 1949 CHEVROLET

## Series GJ and GK. ALL BODY STYLES



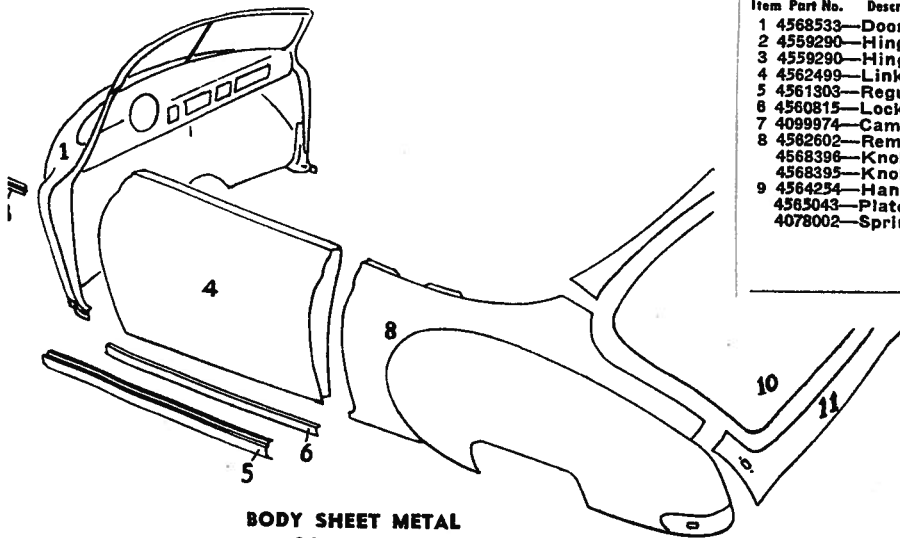
### BODY MOULDING CABRIOLET COUPE

HOOD MOULDING		DOOR MOULDING	
Item Part No.	Description	Item Part No.	Description
1 3688255	—Mldg. front	6 4565182	—Mldg., up.
2 3688257	—Mldg., rear	7 4560098	—Mldg., lower
3 3688253	—Ornament, prod.	8 4563587	—Belt mldg.
3 986254	—Ornament	9 4563876	—Rear fender mldg.
<b>FENDER MOULDING</b>		10 3688947	—Body sill mldg.
1 3689053	—Mldg.		
3 3692093	—Name plate, GK		



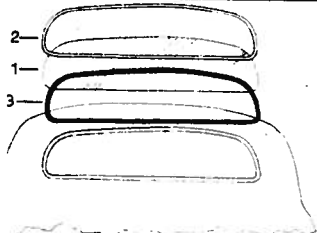
### FRONT DOOR CABRIOLET

Item Part No.	Description	Price	Item Part No.	Description	Price
1 4568533	—Door	44.75	4168322	—Handle, outside	2.25
2 4559290	—Hinge, up.	2.15	10 4560906	—Glass	10.75
3 4559290	—Hinge, low.	2.15	11 4564815	—W/strip, front	1.50
4 4562499	—Link rod	.15	12 4564664	—W/strip, center	1.75
5 4561303	—Regulator	5.25	13 4564739	—W/strip, rear	1.39
6 4560815	—Lock	4.25	<b>VENTILATOR ASSEMBLY</b>		
7 4099974	—Cam	.35	14 4561145	—Vent. assy.	34.50
8 4562602	—Remote control	.85	15 4561184	—Glass	3.50
4568396	—Knob, ser. 1200	.12	4168056	—Channel	3.10
4568395	—Knob, ser. 1100	.12	4556937	—Channel	2.10
9 4564254	—Handle, inside	.85	16 4169183	—W/strip	3.25
4565043	—Plate	.05	4369010	—Mould.	4.50
4078002	—Spring	.06			



### BODY SHEET METAL CABRIOLET

Item Part No.	Description	Price	Item Part No.	Description	Price
4561417	—Cowl dash assy.	95.00	<b>QUARTER PANEL</b>		
4564043	—Side rail	6.50	8 4566983	—Panel assy.	59.50
4568533	—Door assy. (less paint trim)	44.75	8 4569872	—Panel, outer	29.50
<b>ROCKER PANEL</b>			<b>REAR DECK LID</b>		
4169449	—Panel, outer	9.50	10 4571838	—Lid	38.75
4563813	—Panel, inner	4.75	11 4561125	—Panel cover	8.50



### REAR WINDOW 4-DOOR SEDANS

Item Part No.	Description	Price
4559990	—Glass, 1008-1208	15.50
4559993	—Glass, 1069-1269	15.50
4561488	—Mould., 1069	2.50
4561722	—Mould., 1069	1.00
4562138	—Mould., 1008	3.25
4564356	—Rear w/glass rubber, 1060	2.75
4564356	—Rubber channel, 1269	3.75
4564357	—Rubber channel, 1069	3.75
4564358	—Rubber channel, 1008	3.50

### REAR WINDOW 2-DOOR SEDANS

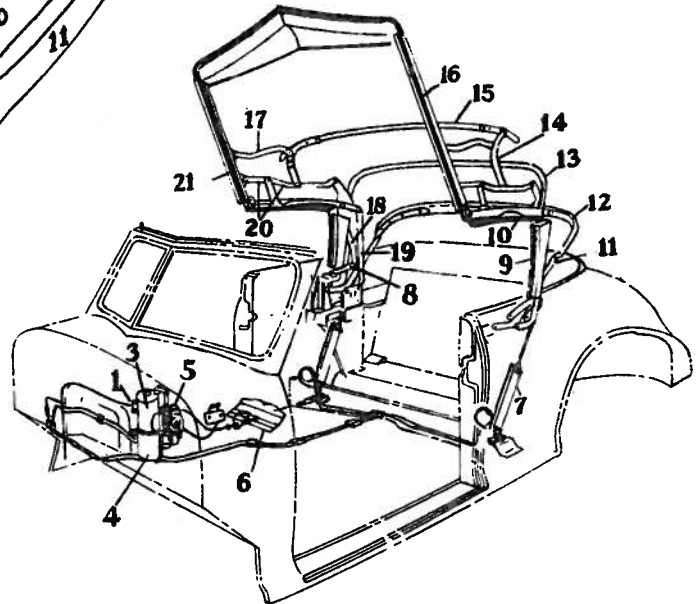
Item Part No.	Description	Price
1 4559990	—Glass, 1007-1207	15.50
1 4559993	—Glass, 1011-1211	15.50
2 4561488	—Mould., 1011	2.50
2 4561722	—Mould., 1011	1.00
2 4562138	—Mould., 1007	3.25
3 4564358	—Rear w/glass rubber, 1007	3.50
3 4564356	—W/glass rubber, 1211	3.75
3 4570888	—W/glass rubber, 1207-08	3.50

### REAR WINDOW COUPE

Item Part No.	Description	Price
1 4561843	—Glass, 1027-1227-B	13.75
2 4561467	—Mould., 1027	2.50
2 4561618	—Mould., 1227	1.00
3 4564359	—Rear w/glass rubber, 1227-27B	3.50
3 4564360	—W/glass rubber, 1027	3.50

### REAR WINDOW CABRIOLET

Item Part No.	Description	Price
1 4117576	—Glass	4.20

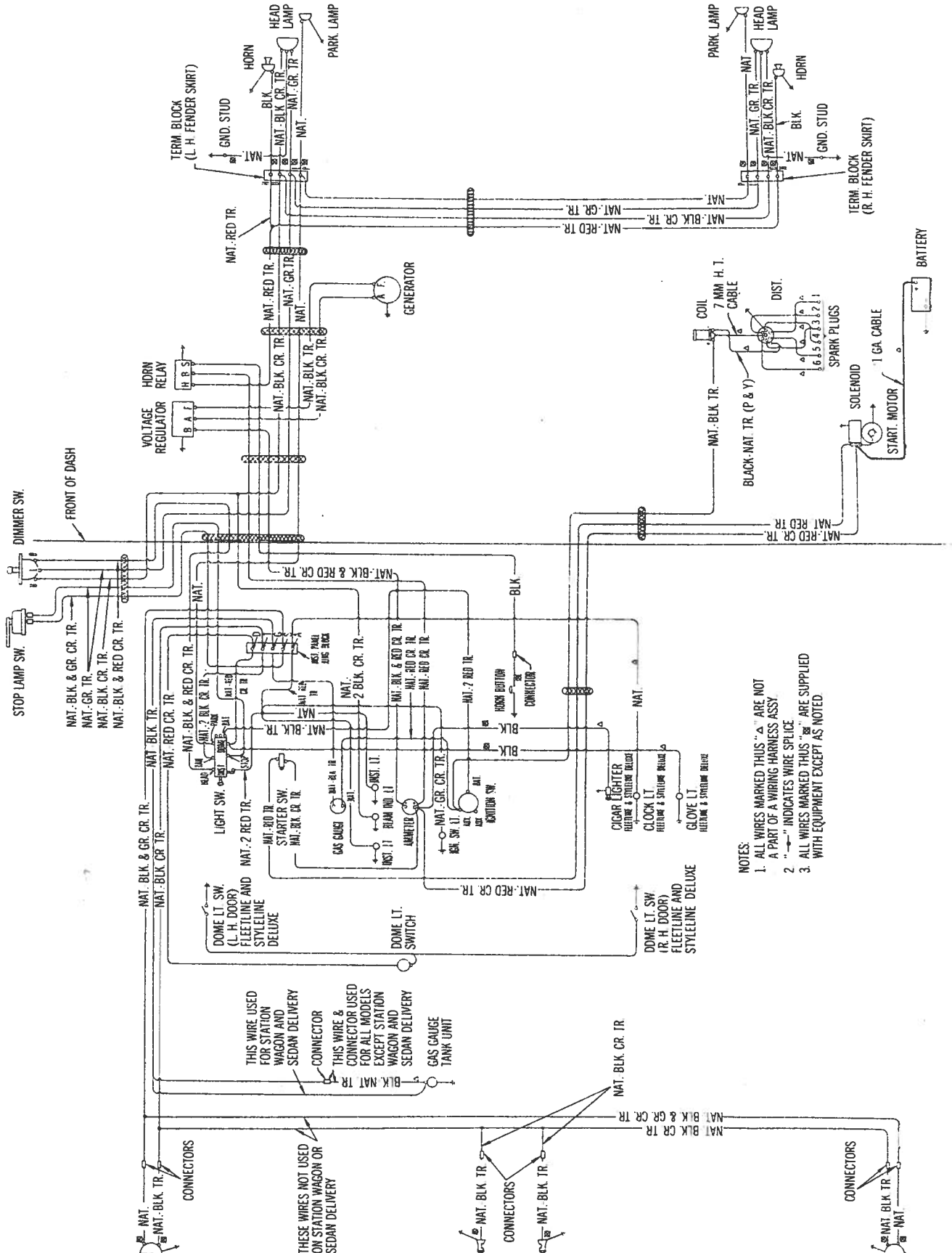


### HYDRO ELECTRIC POWER TOP CABRIOLET

Item Part No.	Description	Price	Item Part No.	Description	Price
1 001463	—Solenoid	2.50	12 4565554	—Rear bow	6.95
3 1108572	—Motor	22.50	13 4565608	—Bow assy., No. 1.	18.75
3 4162272	—Pump	19.50	14 4565291	—Slat iron	2.90
4 4161898	—Reservoir	2.30	15 4565105	—Auxiliary bow	4.60
5 4149731	—Valve	6.90	16 4567961	—Rail with male hinge	7.90
6 4564065	—Control knob	1.45	17 4567959	—Rail control link	18.50
7 4567324	—Cylinder lift	11.50	18 4567172	—No. 1 bow, upper	1.65
8 4565302	—Auxiliary link	2.60	19 4567210	—No. 1 bow, lower	2.25
9 4564739	—W/strip	1.35	20 4567248	—Control link	9.20
10 4564664	—W/strip	1.75	21 4564664	—W/strip	1.75
11 4565305	—Rear slat iron	2.75			

# CHEVROLET 1949 CHASSIS WIRING

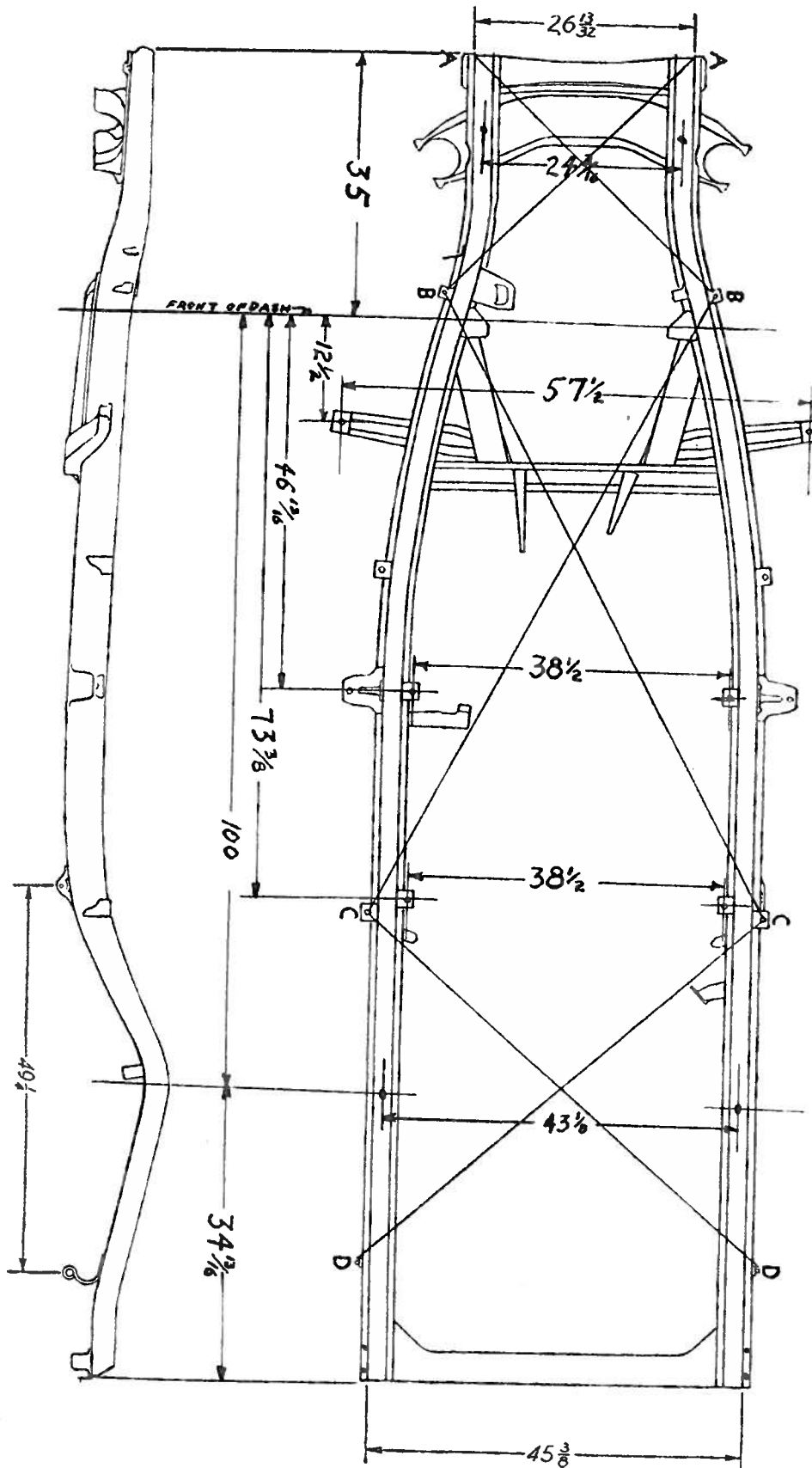
## Series GJ and GK. ALL BODY STYLES



- NOTES:
1. ALL WIRES MARKED THIS "Δ" ARE NOT A PART OF A WIRING HARNESS ASSY.
  2. "---" INDICATES WIRE SPLICE.
  3. ALL WIRES MARKED THIS "⊕" ARE SUPPLIED WITH EQUIPMENT EXCEPT AS NOTED.

# FRAME 1949 CHEVROLET

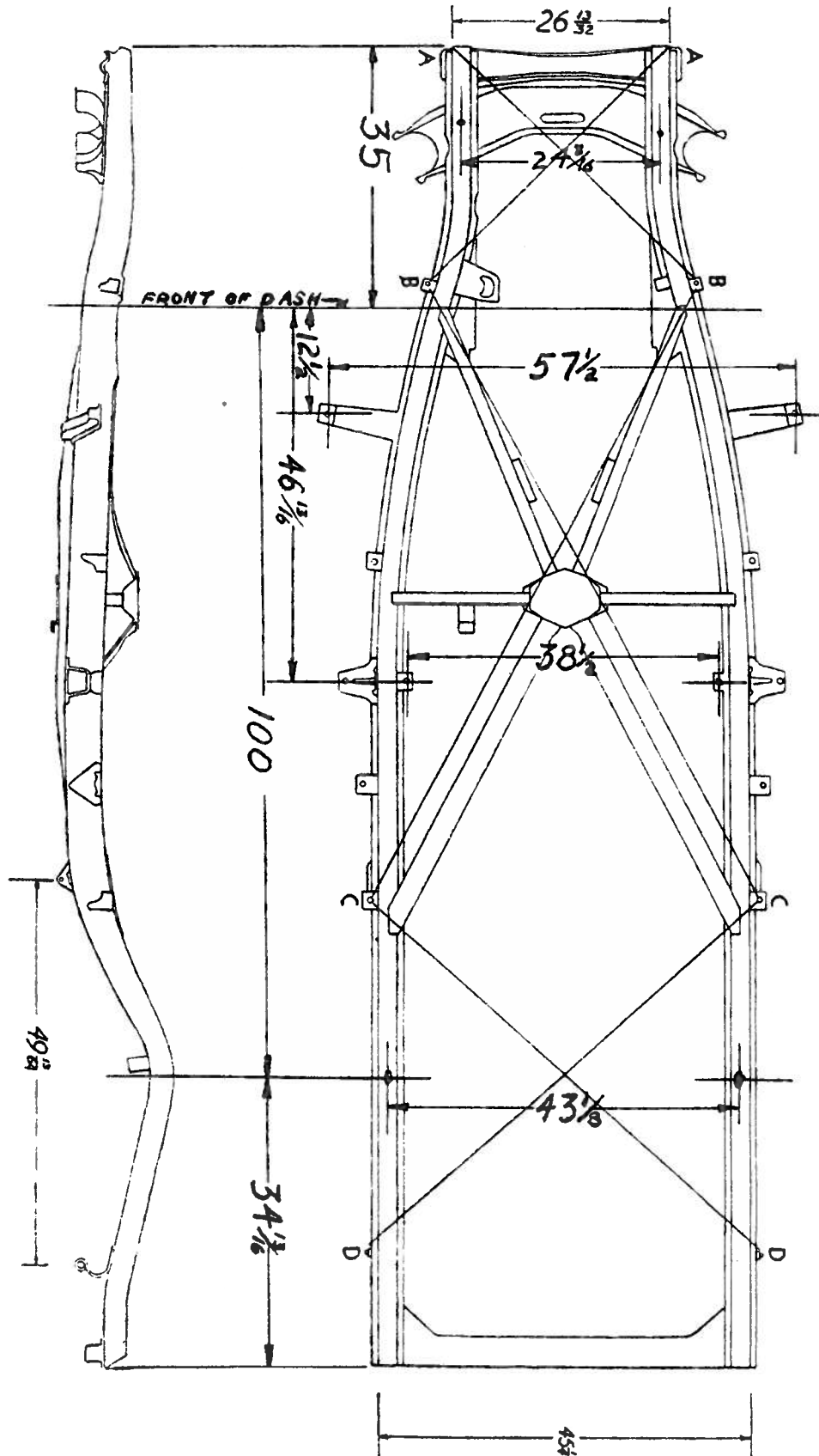
## Series GJ and GK. ALL BODY STYLES





# CHEVROLET 1949 FRAME

Series GJ and GK. ALL BODY STYLES



1949 Convertible Models.

# FLAT RATE 1949 CHEVROLET

## Series GJ and GK. ALL BODY STYLES

Job No.	Chilton Labor Price	Chilton Job No.	Chilton Labor Price	Chilton Job No.	Chilton Labor Price	Chilton Job No.	Chilton Labor Price	Chilton Job No.	Chilton Labor Price	Chilton Job No.	Chilton Labor Price	Chilton Job No.	Chilton Labor Price	Chilton Job No.	Chilton Labor Price	Chilton Job No.	Chilton Labor Price		
<b>A</b>		<b>A—continued</b>		<b>A—continued</b>		<b>B—continued</b>		<b>C—continued</b>		<b>D</b>		<b>E—continued</b>		<b>E—continued</b>		<b>F—continued</b>		<b>G</b>	
1	4.00	6	18.00	20	6.00	9	4.00	4	1.50	1	4.00	3	26.00	13	26.00	3	26.00	1	110.00
2	3.50	7	3.00	20x	8.00	10	4.50	5	3.75	1a	3.50	4	25.00	14	100.00	4	1.50	2	28.00
3	2.50	8	2.50			11	3.50	6	4.25	2	2.50	5	30.00	15	85.00	5	4.95	3	28.00
4	6.00	9	5.00			12	4.00	7	2.00	3	6.00	6	28.00	16	62.00	6	6.50	4	30.00
5	17.00	10	8.50			13	4.00	8	3.75	4	11.00	7	28.00	17	62.00	7	2.00	5	30.00
6	2.00	11	3.00	<b>B</b>		14	2.75	9	2.75	5	28.00	8	28.00	18	46.00	8	3.75	6	28.00
7	5.00	12	5.50	1	4.00	15	1.25	10	4.50	6	11.00	9	28.00	19	19.00	9	3.75	7	28.00
8	11.00	13	3.00	1a	6.75			11	3.50	7x	28.00	10	60.00			10	4.25	8	85.00
9	4.00	14	3.50	2	19.00	<b>C</b>		12	4.00	8	11.00	11	70.00	1	4.00	11	3.25	9	85.00
10	3.75	15	1.00	3	25.00	1	4.00	13	4.00	9	28.00	12	85.00	2	6.25	12	3.75	10	85.00
11	4.00	16	1.00	4	1.50	1a	6.75	14	2.75	10	11.00	13	85.00	3	19.00	13	3.75	11	55.00
12	4.00	17	1.00	5	3.75	2	19.00	15	1.25	11	11.00	14	85.00	4	19.00	14	2.75	12	11.00
13	4.00	18	9.00	6	4.25	3	25.00			12	28.00	15	11.00	5	19.00	15	2.75	13	12.00
14	4.00			7	2.00									6	19.00	16	2.75	14	12.00
15	5.75			8	3.75									7	19.00	17	2.75	15	12.00

### 1949 SERIES GJ AND GK FRONT SUSPENSION

**ASTER:** 1/2 degree plus or minus 1/2 degree.

**AMBER:** 1/2 degree plus or minus 1/2 degree.

**DE-IN:** 0 to 1/8 inches.

**NG PIN INCLINATION:** 4 degrees plus or minus 1/2 degree.

#### ALL MODELS

**ASTER:** is controlled by **FULL TURNS** of the upper eccentric pin.

**AMBER:** is controlled by eccentric upper pin and full range is obtained in one-half turn.

**DE-IN:** should be adjusted at the left tie-rod. **TURN ROD** in direction of forward wheel rotation to decrease toe-in.

