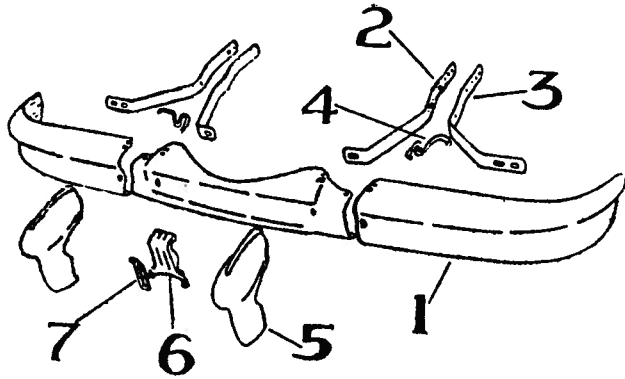


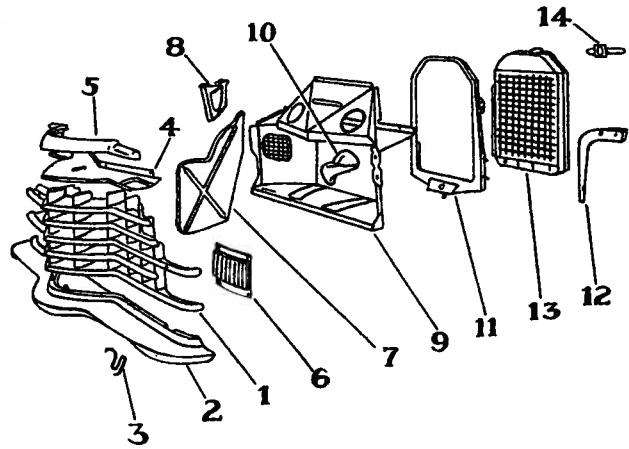
CADILLAC 1946 to 1948 BODY PARTS

Series 75 and 76. ALL BODY STYLES



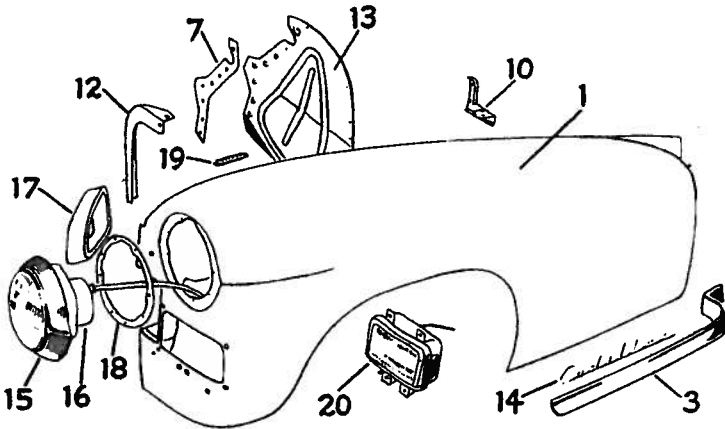
FRONT BUMPER

Item Part No.	Description	Price	Item Part No.	Description	Price
1 1447937	Bar, 3 pc.	53.50	5 3507505	Guard (2)	9.80
2 1447950	Back bar, L.	2.55	6 1453219	Bracket	1.20
3 1447952	Back bar, R.	2.70	7 1441078	Clamp	.23
4 1446183	Bumper	.17			



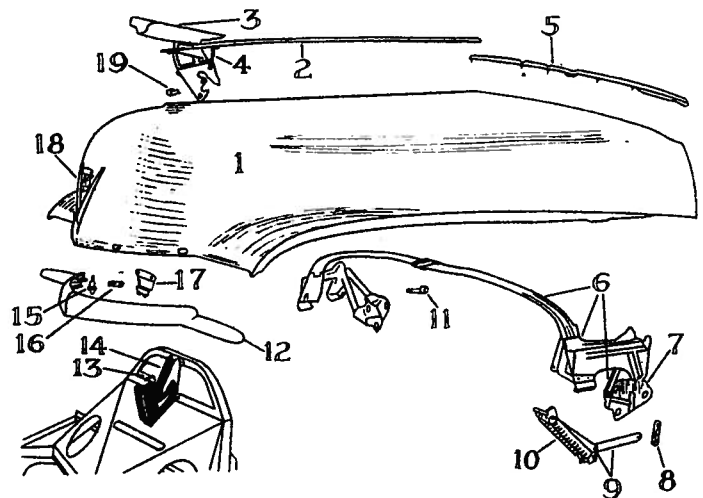
GRILLE

Item Part No.	Description	Price	Item Part No.	Description	Price
1 3507498	Grille, rad., 46.	92.00	7 3508058	Baffle, air, 47, 48.	2.70
1 3507816	Grille, rad., 47, 48	65.00	8 1451291	Bracket	1.25
2 3507532	Gravel reflector, 46	9.60	9 3507517	Deflector, air.	15.55
2 3508094	Gravel deflect., 47, 48	9.60	10 1999538	Horn, w/unit	5.50
3 1446183	Bumper, deflect.	.17	11 3508411	Support, rad.	6.75
4 3507537	Plate, grille, 46.	2.90	12 3507180	Support, L.	1.60
4 1452719	Plate, grille, 47, 48	2.90	13 3118704	Rad. core	82.50
5 1447886	Molding grille, 46.	10.00	3120348	Core, less tank.	45.00
5 1452216	Molding grille, 47, 48	10.00	14 1443682	Housing, thm.	4.20
6 1451375	Cover, L., fog lp., 46	2.70	1315931	Retainer plate	.06
6 1452860	Cover, L., fg. lp., 47, 48	.95	1444991	Brace, L.	.70
7 3507519	Baffle, air, 46.	2.70	3507577	Rad. ornament	15.80
			1444765	Shelf, mud	1.55
			1441693	Cross mem.	19.00
			503635	Mem. reinf.	3.45



FRONT FENDER

Item Part No.	Description	Price	Item Part No.	Description	Price
1 3507617	Fndr., L., 163" w.b., 46	57.50	18 1453486	Gasket, hd. lp., 46, 47	.35
1 3507491	Fndr., L., others, 46	57.50	18 1453486	Gasket, hd. lp., 48	.35
1 3507842	Fndr., L., 163" w.b., 47, 48-75, 76	57.50	19 1998779	Term. block	.30
1 3507836	Fndr., L., others, 47, 48-75, 76	57.50	20 926663	Fog lamp, L., 46.	22.65
3 1451522	Molding, L., before engine No. 3400924, except 163" w.b.	6.00	20 926711	Fog lamp, L., 47, 48	27.25
3 1453177	Molding, L., after engine No. 3400923, except 163" w.b.	7.50	5935984	Housing, fog lp., 46	.95
7 1448161	Seal, L.	.40	5937005	Housing, L., fog lp., 47, 48	1.70
10 1442837	Support, L.	.85	5935981	Gasket, fog lp.	.90
12 3507180	Support, L.	1.60	5935985	Gasket, L., fog lp.	1.70
13 3507231	Plate, L.	3.75	5935983	Lens, fog lp.	.90
14 3507851	Name plate, 46.	3.15	5935980	Reflector, F.L., 46	2.35
14 1452305	Name plate, 47, 48	2.75	5936785	Reflector, F.L., 47, 48	4.45
15 5933435	Door, hd. imp. 46, 47	2.55	5935968	Plate, refl., 46, 47, 48	3.20
15 5931508	Door, hd. imp., 48	4.35	5935982	Gasket, lens, F.L.	.20
16 5936632	Headlamp	12.05	20 917298	Parking lamp, 46.	3.80
17 1444598	Seal, L. dust.	.75	20 928519	Parking lamp, 47, 48	5.00
			5935928	Body, park. lp., 46	1.00
			5933206	Body, park. lp., 47, 48	1.25
			5935934	Door, p. lp., 46.	.40
			5933022	Door, p. lp., 47, 48	.85

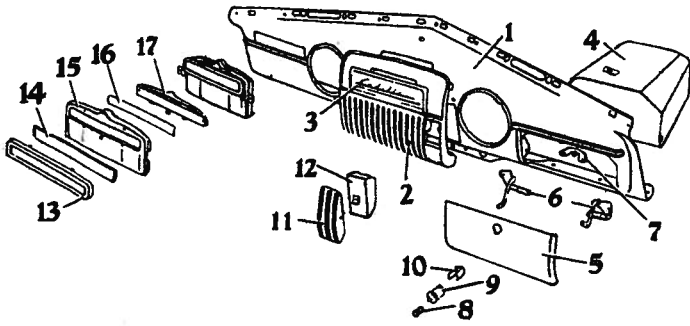


HOOD

Item Part No.	Description	Price	Item Part No.	Description	Price
1 1097528	Hood, 46	73.90	12 1447886	Molding, 46	10.00
1 1097619	Hood, 47	73.90	12 1452216	Molding, 47, 48.	10.00
1 3630025	Hood, 48	73.90	13 1451262	Roller	.17
2 1444415	Molding	4.25	14 1451291	Bracket	1.25
3 3507577	Ornament	15.80	15 1433237	Pilot	.45
4 1451010	Base	3.20	16 1451139	Clip	.09
5 4115066	Weatherstrip	1.40	17 1451082	Bracket	.17
6 3508613	Reinforcement	8.80	18 3507570	Emblem, 46, 48.	2.25
7 1441706	Bracket, L.	1.00	18 3507944	Emblem, 47	1.50
8 3506728	Bracket	.85	1451062	Crest, 46, 48.	3.00
10 1442694	Spring, L., 46, 47, 48	2.30	1452810	Crest, 47	4.00
11 3506740	Guide, 46, 47, 48.	.70	19 1452017	Clamp	.12

BODY PARTS 1946 to 1948 CADILLAC

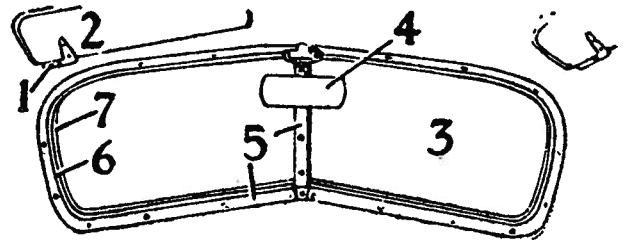
Series 75 and 76. ALL BODY STYLES



INSTRUMENT PANEL

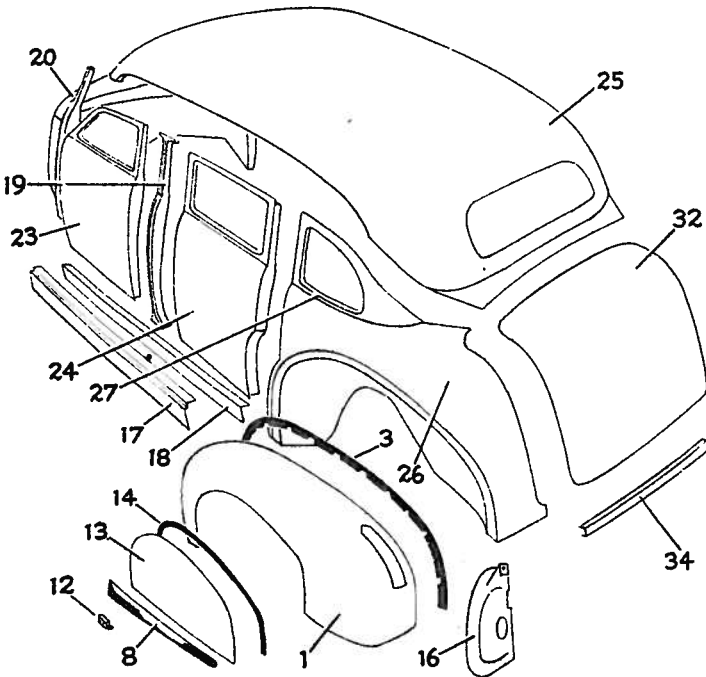
1946-47

Item Part No.	Description	Price	Item Part No.	Description	Price
1 4149417	Instrument panel, 46, 47	30.50	9 4099315	Housing, 46, 47	.85
2 3507595	Grille, 46, 47	9.80	10 4131049	Retainer, 46, 47	.12
3 1451441	Plate, 46, 47	2.60	11 1444062	Door, 46, 47	2.00
4 4115248	Box, 46, 47	2.90	12 1444081	Tray, 46, 47	1.45
5 4131186	Door, 46, 47	8.25	13 1566489	Frame, 46, 47	3.30
6 4115126	Hinge, L., 46, 47	.85	14 1566682	Lens, 46, 47	.20
7 4131313	Catch, 46, 47	1.15	15 1566802	Retainer, 46, 47	.80
8 1394994	Lock cylin., 46, 47	.80	16 1566115	Lens, in., 46, 47	.70
			17 1566608	Background, 46, 47	1.00



WINDSHIELD

Item Part No.	Description	Price	Item Part No.	Description	Price
1 4113904	Support shade, 46, 47, 48-75	1.25	5 4115745	Garnish mldg., L., O.S., 46, 47, 48-75	9.20
2 Sunshade, 4141011-L., 46-7519, 23	7.50	5 4115742	Garn. mldg., vert., 46, 47, 48-75	2.60	
4141013-L., 46-7533	6.90	6 4112600	Wthrstrp., 46, 47, 48-75	4.90	
4160913-47-7519, 23	7.50	7 Retaining Molding, Outer, 4115184-L., O.S., 46, early	3.50		
4165665-47-7533	7.00	4115182-Vert., 48, early	1.25		
4165663-48-7519X, 23X	7.50	4160998-L., O.S., 46, late	3.75		
4165761-48-7523L	7.50	4160996-Vert., 46, late	1.75		
4165762-48-7533L	7.00	4160998-L., O.S., 47, 48-75	3.75		
4165665-48-7533X	7.00	4160996-Vert., 47, 48-75	1.75		
3 4099226	Glass, 46, 47, 48-75	14.70			
4 1455362	Mirror, 46, 47, 48-75	4.35			



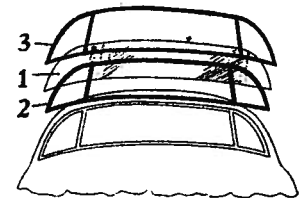
CAR BODY SHEET METAL LEFT SIDE

4-DOOR, WITH QUARTER PANEL WINDOW

1946-47-48
7519, 23, 33 (L) (X)

Item Part No.	Description	Price	Item Part No.	Description	Price
1 Rear Fender 3507627-46, 47-75 (except 163" w.b.)	32.50	8 Fender Molding 1451520-46-75 (except 163" w.b.), before engine No. 3400924	5.75		
3507627-48-75	32.50	1453175-46-75 (except 163" w.b.), after engine No. 3400923	7.00		
3507629-46, 47-75 (163" w.b.)	32.50				
3507629-48-76	32.50				
3 1420410-Anti squeak, 46, 47, 48	@.17 Ft.				

Item Part No.	Description	Price
1453175-47-75 (except 163" w.b.)	7.00	
1453175-48-75	7.00	
13 1451510-Shield, 46, 47-75 (except 163" w.b.)	9.50	
13 1451510-Shield, 48-75	9.50	
14 1442354-Seal, 46, 47, 48-75	1.15	
16 3506637-Deflector, 46, 47, 48-75	3.95	
17 4149015-Sill cover panel, out., 46, 47, 48-75	15.25	
18 4149017-Sill cover panel, in., 46, 47, 48-75	8.50	
19 4112085-Center pillar, 46, 47, 48-75	17.25	
20 4149023-Cowl assy., 46, 47-75	115.00	
20 4162912-Cowl assy., 48-75	120.00	
23 4116583-Front door, 46-75; 47, 48-7523L, 33L	58.50	
23 4160520-Front door, 47, 48-7519, 19X, 23, 23X, 33, 33X	65.00	
24 4132227-Rear door, 46-75; 47, 48-7523L, 7533L	62.50	
24 4160936-Rear door, 47-7519, 23, 33	67.50	
24 4160936-Rear door, 46-7519X, 23X, 33X	67.50	
25 4112139-Roof panel, 46, 47, 48-75	86.25	
26 Quarter panel assem., out. 4160939-46-75; 47-7523L, 33L	51.75	
4160939-47-7519, 23, 33	51.75	
4162896-48-7519X, 23X, 33X	58.75	
4162898-48-7523L, 33L	54.50	
27 Quarter panel assem., inner 4117049-Upper, 46, 47-75	37.50	
4117047-Lower, 46, 47-75	10.35	
4162894-Upper, 48-75	37.50	
4162892-Lower, 48-75	18.50	
32 4149011-Deck lid, 46, 47, 48-75	31.65	
34 4149012-End panel, bl. dk., 46, 47, 48-75	11.50	

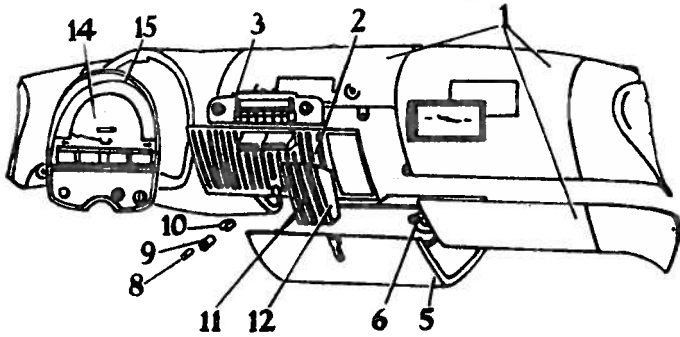


REAR WINDOWS 1 PIECE TYPE

Item Part No.	Description	Price
1 4116354	Glass, R. window, 46, 47, 48-75	12.65
2 4116349	Mold., outer, L. vert., 46, 47, 48-75	6.90
2 4116780	Mold., out., O. side, 46, 47, 48-75	3.45
3 4102483	Wthrstrp., glass, 46, 47, 48-75	2.90

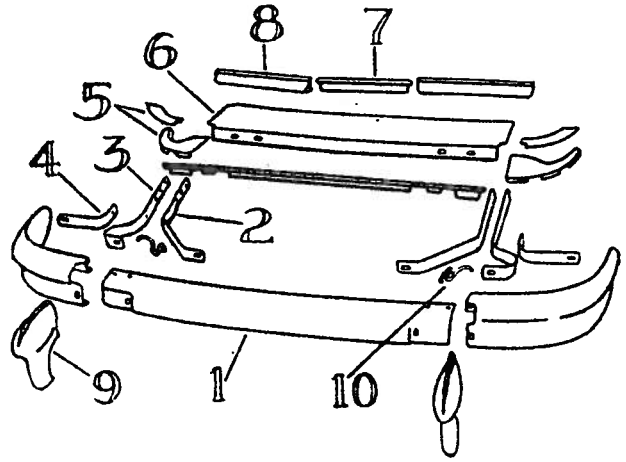
CADILLAC 1946 to 1948 BODY PARTS

Series 75 and 76. ALL BODY STYLES



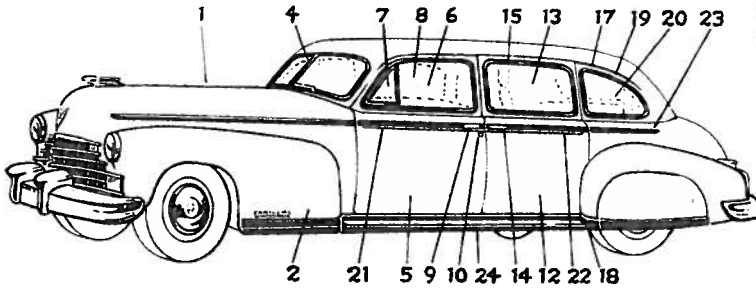
INSTRUMENT PANEL
1948

Item Part No.	Description	Price	Item Part No.	Description	Price
1	Instrument Panel		5	Door & Box Assembly	26.50
4558657—C., 48-7519X, 23L, 23X		53.50	4165748—48-7519X, 23L, 23X		26.50
4559217—C., 48-7533L, 33X		53.50	4165749—48-7533L, 33X		26.50
4652971—L., 48-7519X, 23L, 23X		3.75	6 4552654—Hinge, 48		4.75
4559219—L., 48-7533L, 33X		3.75	8 1097819—Lock cylinder, 48..		.60
2 1452147—Grille, 48		12.00	9 1452672—Housing, 48		.75
3 1453566—Plate, 48-7533L, 33X		2.15	10 1452723—Retainer, 48		.10
3 1454137—Plate, 48-7519X, 23L, 23X		2.15	11 1452642—Door, 48		2.00
			12 1452640—Tray, 48		1.50
			14 1568792—Lens, 48		1.00
			15 1569251—Retainer, 48		.50



REAR BUMPER

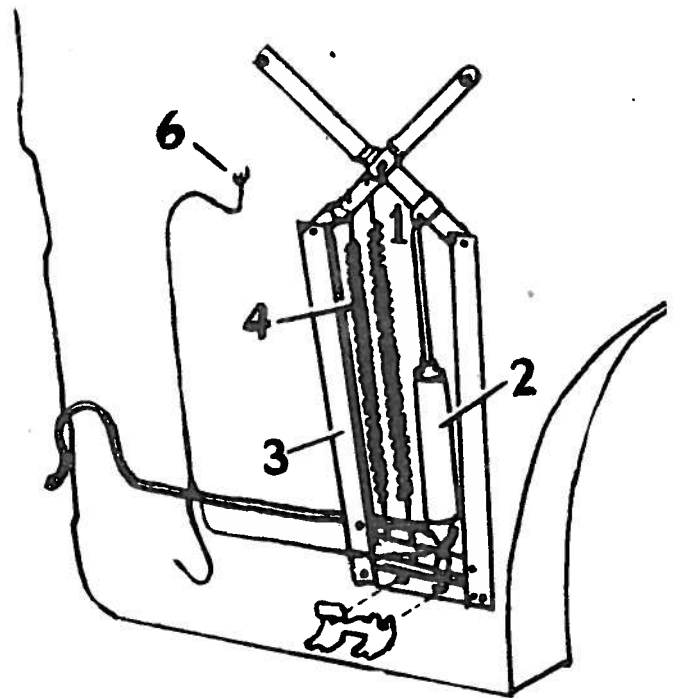
Item Part No.	Description	Price	Item Part No.	Description	Price
1 1451036—Bar (3 pc.), 46, 47-75 except 163" w.b., 48-75		53.50	6 1097533—Deflector, C., 46, 47-75 except 163" w.b., 48-75		6.20
1 1451481—Bar (3 pc.), 46, 47-75, 163" w.b., 48-76		57.50	6 1097556—Deflector, C., 46, 47-75, 163" w.b., 48-76		6.20
2 1451281—Bar, L., 46, 47, 48		2.70	7 1441856—Valance, 46, 47-75 except 163" w.b., 48-75		5.75
3 1451284—Bar, L., 46, 47-75 except 163" w.b., 48-75		2.00	9 3507629—Guard, L., 46, 47, 48		8.45
3 1451486—Bar, L., 46, 47-75, 163" w.b., 48-76		2.00	10 1446183—Bumper, 46, 47-75 except 163" w.b., 48-75		.17
4 1451283—Bar, L., 46, 47, 48		2.40			
5 1097539—Deflector, L., 46, 47, 48		2.45			



CAR BODY CHROME & TRIM MOLDING, LEFT SIDE

4 DOOR—WITH QUARTER PANEL WINDOW
1946-47-48—7519, 23, 33, (X) (L)

Item Part No.	Description	Price	Item Part No.	Description	Price
1 1444415—Hood molding, 46, 47, 48		4.25	13 4102452—Rr. dr. glass, 46, 47, 48		14.40
2 1451522—Fndr. mold., before Eng. #3400924		6.00	14 4115189—Rr. dr. handle, 46, 47, 48		4.30
2 1453177—Fender molding, after Eng. #3400923		7.50	15 4102573—Rr. dr. reveal mold., 46, 47, 48		7.20
4 4160998—W/S molding, O.S., 46, 47, 48		3.75	17 4101825—Drip molding, frt., 46, 47, 48		.80
4 4160996—W/S molding, vert., 46, 47, 48		1.75	17 4102611—Drip molding, rear, 46, 47, 48		1.45
5 4116563—Front door, 46-75; 47, 48-7523L, 33L		58.50	18 Rear fender molding 1451520—46-75, before Eng. #3400924 (ex. 163" W.B.)		5.75
6 4160520—Front door, 47, 48-7519, 19X, 23, 23X, 33, 33X		65.00	1453175—46-75, after Eng. #3400923 (exc. 163" W.B.)		7.00
6 4099434—Front door glass, 46, 47, 48		9.35	1453175—47-75 (except 163" W.B.)		7.00
7 4099406—Vent. glass, 46, 47, 48		3.65	1453175—48-75		7.00
8 4099849—F. dr. reveal mold., 46, 47, 48		8.30	19 4115492—Rr. quart. window reveal mold., 46, 47, 48		6.35
9 4115189—F. dr. handle, 46, 47, 48		4.30	20 4102473—Rr. quart. window glass, 46, 47, 48		11.20
10 1393156—F. dr. lock, 46, 47, 48		2.15	21 4115186—Frt. dr. belt mold., 46, 47, 48		13.25
12 4132227—Rear door, 46-75; 47, 48-7523L, 33L		62.50	22 4115188—Rr. dr. belt mold., 46, 47, 48		13.25
12 4160936—Rear door, 47-7519, 23, 33		67.50	23 4114848—Rr. quarter belt mold., 46, 47, 48		13.50
12 4160936—Rear door, 48-7519X, 23X, 33X		67.50	24 3508025—Running board, chrome, 46, 47, 48		64.00

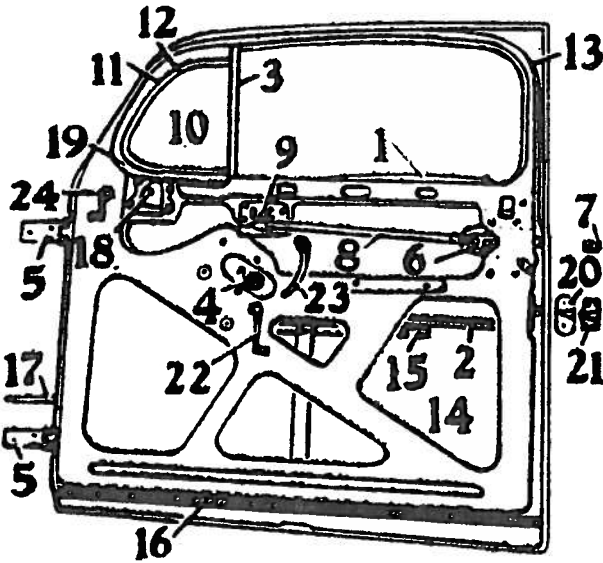


HYDRAULIC WINDOW LIFTS
LEFT REAR DOORS

Item Part No.	Description	Price	Item Part No.	Description	Price
1 4160989—Hydr. reg. assy., 47		12.00	3 4182124—Frame, reg., 47, 48		6.0
1 4160989—Hydr. reg. assy., 48		12.00	4 4149776—Return spring, 47, 48		1.30
2 4149775—Hydr. cylin., reg., 47		9.00	6 4149244—Hydr. switch, 47, 48		2.2
2 4162965—Hydr. cylin., reg., 48		10.50			

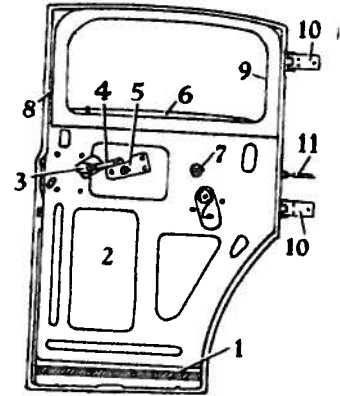
BODY PARTS 1946 to 1948 CADILLAC

Series 75 and 76. ALL BODY STYLES



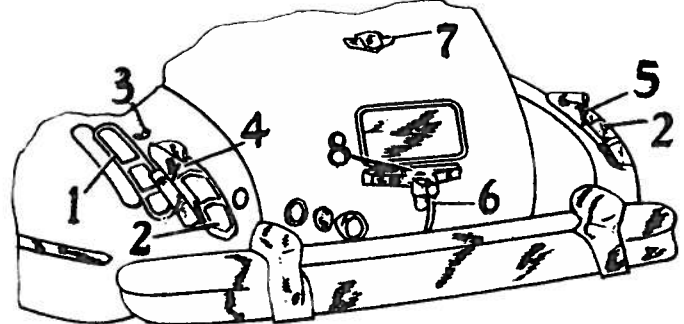
FRONT DOOR GLASS & HARDWARE
4-DOOR STYLES

Item Part No.	Description	Price	Item Part No.	Description	Price
1	4099434—Glass, 46, 47, 48-75	9.35	12	4116768—Sash chnl., vent., L., 46, 47, 48-75	5.25
2	4099438—Sash Channel, Left, Low, 46-75; 47, 48-7523L, 33L	1.05	13	4092263—Wthrstrp., 46, 47, 48-75	1.95
	4160785—Low, 47-7519, 23, 33	1.25	14	4116563—Door, L., 46-75	58.50
	4160786—Low, 48-7519X, 23X, 33X	1.25	14	4116563—Door, L., 47, 48-7523L, 33L	58.50
3	Run Channel, L. frt., 46, 47-75	3.75	14	4160520—Door, L., 47-7519, 23, 33	65.00
	4134149—L. frt., 48-7533L, 33X	3.75	14	4160520—Door, L., 48-7519X, 23X, 33X	65.00
	4118659—Hd. & Rr., 46, 47, 48-75	1.90	15	Cam, Regulator, 4099923—Door, L., 46-75; 47, 48-7523L, 33L	.50
	4121771—L. frt., 48-7519X, 23L, 23X	3.45		4160950—Chl., 47-7519, 23, 33	1.25
4	Regulators, Left, 4099913—46-7523L, 33, 33L	4.50		4160950—Chl., 48-7519X, 23X, 33X	1.25
	4099913—47-7523L, 33L; 48-7523L, 33L	4.50	16	4149240—Wthrstrp., L., C., & Rr., 46, 47, 48-75	2.20
	4116895—46-7519, 23	3.15	17	4091158—Check link, 46, 47, 48-75	.60
	4160988—47-7519, 23, 33	12.00	18	4116879—Regul., vent., L., 46, 47-7519, 23	2.90
5	4113441—Hinge, L. up., 46, 47, 48-75	3.15	18	4129377—Regul., vent., L., 46, 47-7523L, 33, 33L	2.05
5	4114409—Hinge, L. low., 46, 47, 48-75	2.25	18	4116879—Regul., vent., L., 48-75	2.90
6	4113800—Lock assy., L., 46, 47, 48-75	4.25	19	4099410—Wthrstrp., vent., L., 46, 47, 48-75	1.15
7	4553579—Striker, 46, 47, 48-75	1.15	20	4111491—Cover, bumper, 46, 47, 48-75	.85
8	4114742—Control link, 46, 47, 48-75	.30	21	4073913—Wedge, plate, 46, 47, 48-75	.35
9	Remote Control, Left, 4132342—46, 47-7523L, 33, 33L	1.15	22	4116863—Handle, reg., 46-75	2.00
	4116872—46, 47-7519, 23	.65	22	4116863—Handle, reg., 47, 48-7523L, 33L	2.00
	4132342—48-7523L, 33X, 33X	1.15	23	4091129—Handle, lock, 46, 47, 48-75	1.25
	4116872—48-7519X, 23X, 33X	.65	24	4116862—Handle, vent. reg., 46, 47, 48-75	1.75
10	4099406—Glass, vent., 46, 47, 48-75	3.65			
11	4120975—Chanl. vent., L., 46, 47, 48-75	8.65			



REAR DOOR GLASS & HARDWARE
NON-VENT TYPE

Item Part No.	Description	Price	Item Part No.	Description	Price
1	4149242—Wthrstrp., L.C. & Rr., 46, 47, 48	2.15	4160989—47-7519, 23, 33	12.00	
2	4132227—Door, L., 46-75	62.15	4114249—46, 47, 48-7523L, 33L	4.50	
2	4132227—Door, L., 47, 48-7523L, 33L	62.50	4160989—48-7519X, 23X, 33X	12.00	
2	4160936—Door, L., 47-7519, 23, 33	67.50	8 4092263—Wthrstrp., 46, 47, 48-75	1.95	
2	4160936—Door, L., 48-7519X, 23X, 33X	67.50	9 4102472—Run chnl., up. & sd., 46, 47, 48-75	1.90	
3	4125249—Lock assy., 46, 47, 48-75	4.90	10 4115490—Hinge, L. up., 46, 47, 48-75	2.90	
4	4131163—Link, ctrl., 46, 47, 48-75	.40	10 4112828—Hinge, L. low., 46, 47, 48-75	2.60	
5	Remote Control, Left, 4133548—46, 47-7519, 23, 33	.75	11 4102629—Check link, 46, 47, 48-75	.17	
	4132341—46, 47-7523L, 33L	1.15	12 4091129—Handle, lock, 46, 47, 48-75	1.25	
	4133548—48-7519X, 23X, 33X	.75	13 4116863—Handle, reg., 46-75, 47, 48-7523L, 33L	2.00	
6	4102452—Glass, 46, 47, 48-75	14.40			
7	Regulators, Left, 4116870—46-7519, 23, 33	3.45			



REAR & TAIL LAMPS

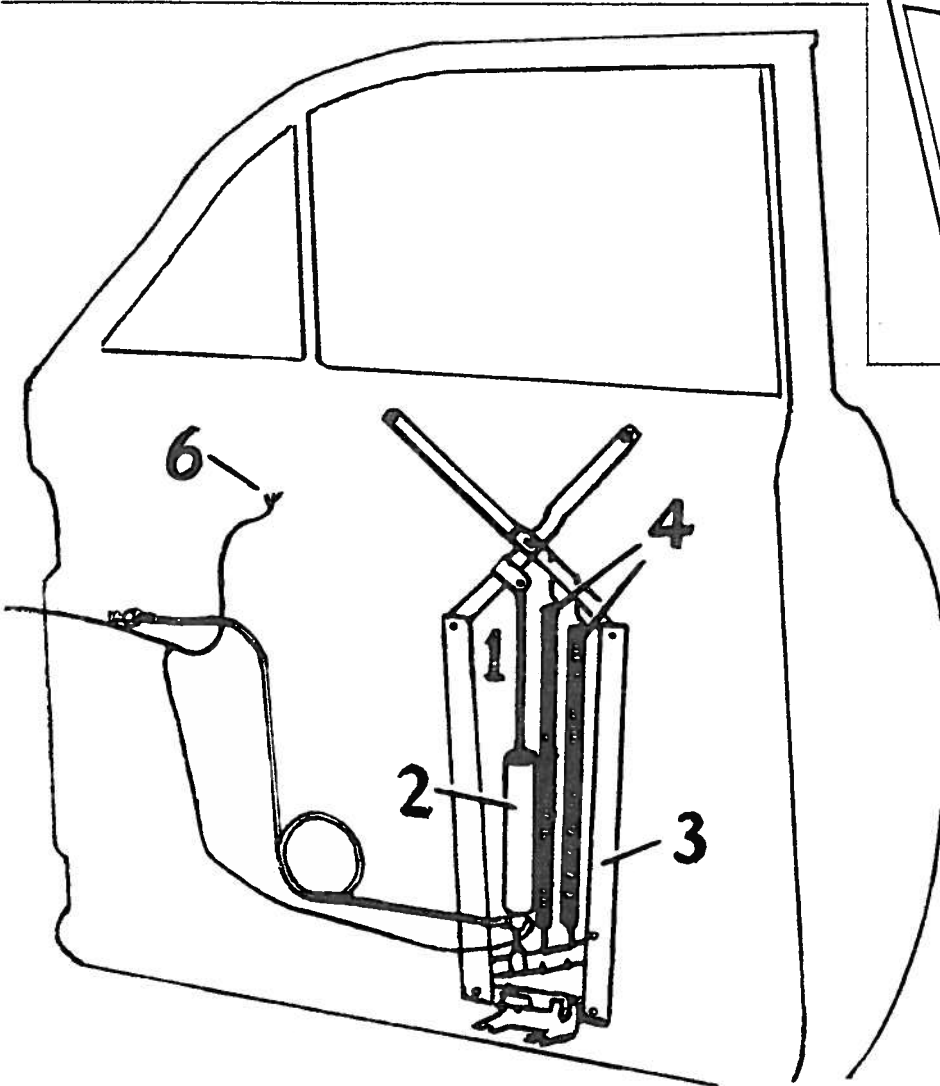
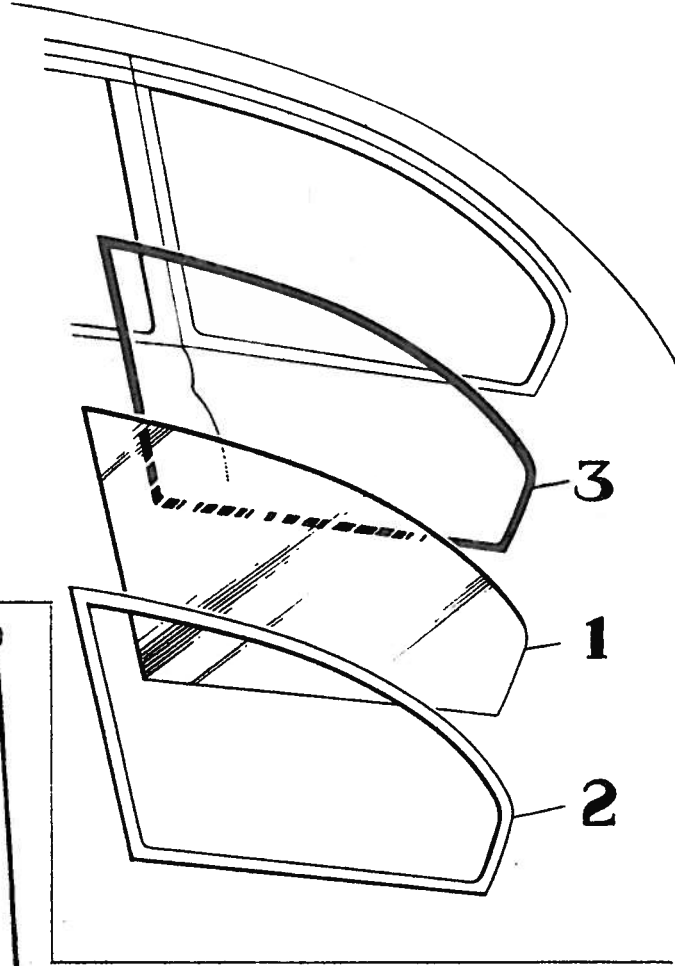
Item Part No.	Description	Price	Item Part No.	Description	Price
1	1441639—Pad, L., 46, 47, 48-75	1.45	5	3506726—Dummy cover, R., 46, 47, 48-75	5.45
2	927153—Rear lamp, L., 163" w.b., 46, 47-75	9.80	6	4115647—Handle, 46, 47, 48-75	4.75
2	927151—Rear lamp, L., 46, 47-75	9.50	7	1451059—Emblem, 46, 48-75	2.30
2	927473—Rear lamp, L., 48-75	9.50	7	1452632—Emblem, 47-75	4.50
2	927483—Rear lamp, L., 48-76	12.10	8	Lamp, License 916895—46, 47-75, 163" w.b.; 48-76	6.60
4	3506724—Cover, L., 46, 47, 48-75	7.20		927129—46, 47-75; 48-75	9.15

CADILLAC 1946 to 1948 BODY PARTS

Series 75 and 76. ALL BODY STYLES

REAR QUARTER PANEL WINDOW

Item	Part No.	Description	Price
1	4102473	Glass, vent., 46, 47, 48-75	11.20
2	4115492	Rev. mold., L., 46, 47, 48-75	6.35
3	4098697	Wthratrp., 46, 47, 48-75 @ .17 ft.	

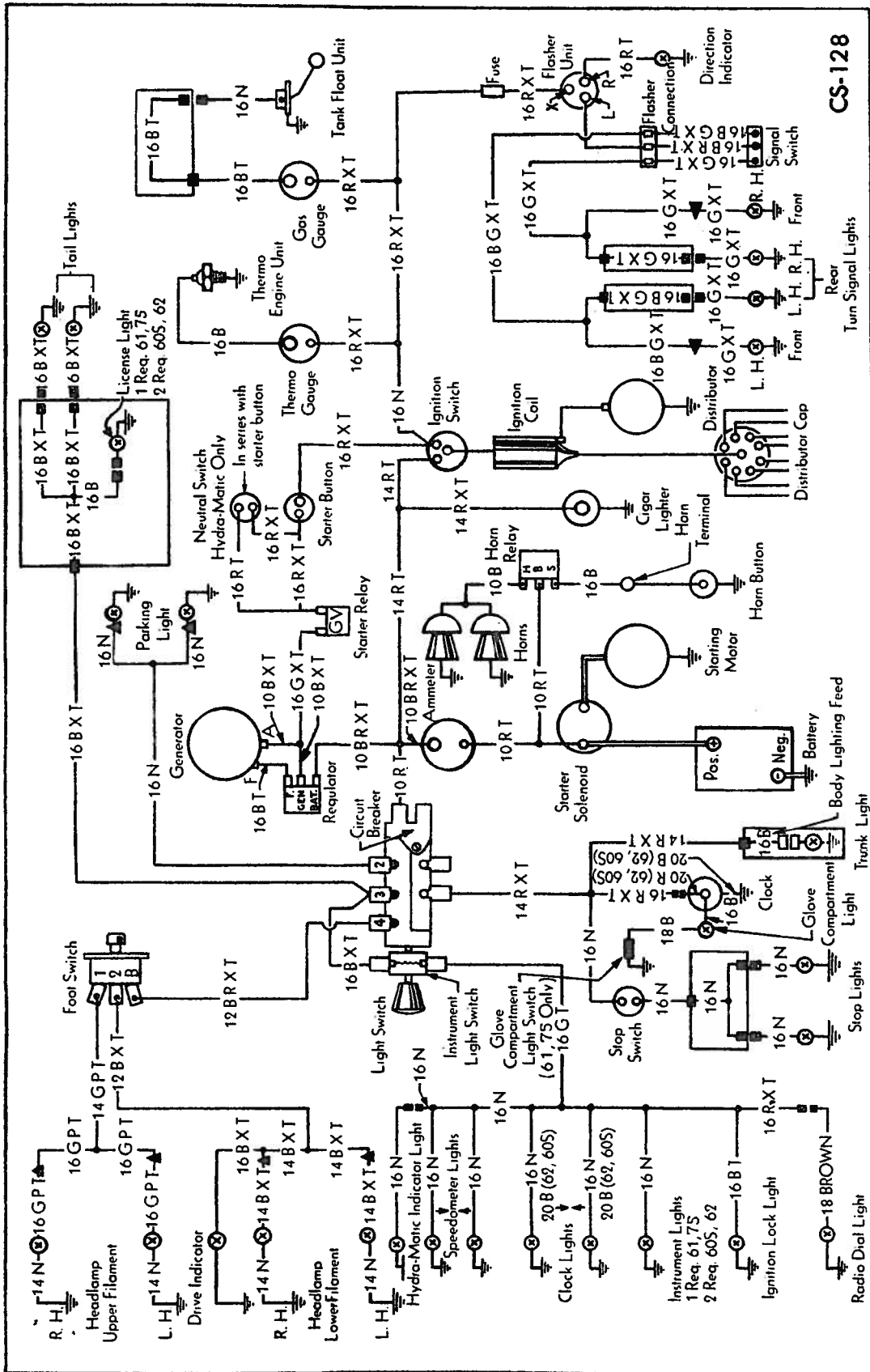


HYDRAULIC WINDOW LIFTS LEFT FRONT DOORS

Item	Part No.	Description	Price
	47-7519, 23, 33		
	48-7519X, 23X, 33X		
1	4160988	Hydraulic Regulator Assys., 47-7519, 23, 33	12.00
	4160988	48-7519X, 23X, 33X	12.00
2	4149775	Hydraulic Cylinder, Regulator, 47-7519, 23, 33	9.00
	4149775	48-7519X, 23X, 33X	9.00
3	4162126	Frame, hyd. reg., 47-7519, 23, 33	6.00
	4162126	48-7519X, 23X, 33X	6.00
4	4149776	Return springs, 47-7519, 23, 33	1.30
	4149776	48-7519X, 23X, 33X	1.30
6	4160947	Hydraulic Switch, Window, No. 4, 47-7519, 23, 33	1.50
	4566680	4 button, 48-7519X, 23X, 33X	5.80

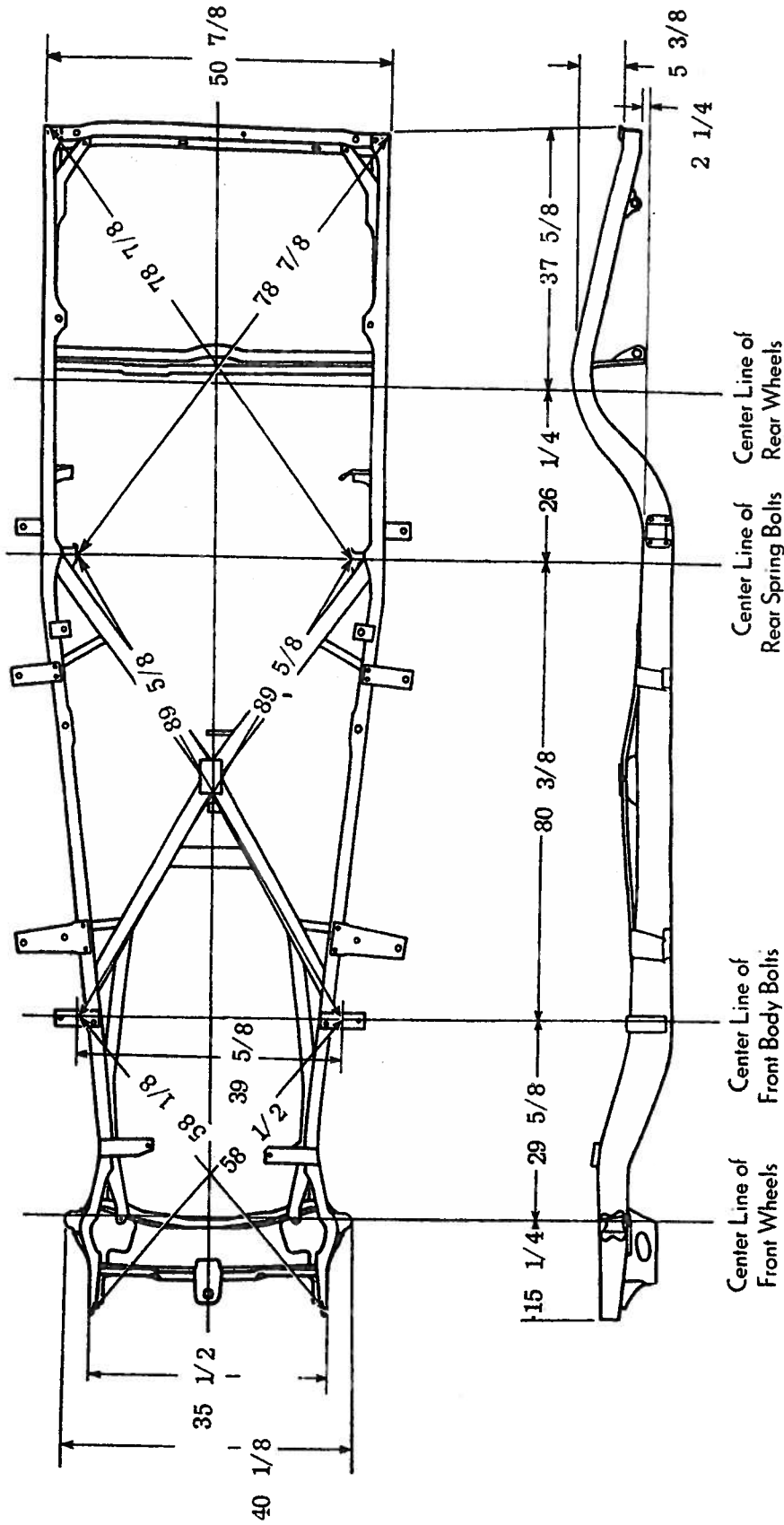
WIRING 1946 to 1948 CADILLAC

Series 75 and 76. ALL BODY STYLES



CADILLAC 1946 to 1948 FRAME

Series 75 and 76. ALL BODY STYLES



FLAT RATE 1946 to 1948 CADILLAC

Series 75 and 76. ALL BODY STYLES

Chilton Job No.	Chilton Labor Price	Chilton Job No.	Chilton Labor Price	Chilton Job No.	Chilton Labor Price	Chilton Job No.	Chilton Labor Price	Chilton Job No.	Chilton Labor Price	Chilton Job No.	Chilton Labor Price	Chilton Job No.	Chilton Labor Price	Chilton Job No.	Chilton Labor Price	Chilton Job No.	Chilton Labor Price				
A		A-continued		A-continued		B-continued		C-continued		D		E-continued		E-continued		F-continued		G			
1	4.00	6	30.00	20	8.00	9	4.00	4	3.00	1	4.00	3	32.50	13	130.00	3		1		1	
1a	3.50	7	3.00	20x	8.00	10	4.50	5	4.00	1a	3.50	4	26.00	14		4		2		2	
2	2.50	8	3.00			11	3.50	6	2.00	2	3.00	5		15		5		3		3	
3		9				12	3.75	7		3		6		16		6		4		4	
4	18.00	10		8	4.00	13	12.00	8	3.00	4	12.00	7	16.00	17		7		5		5	
4a		11	4.00	1a	7.50	14	3.00	9	4.00	7	16.00	7x		18		8		6		6	
4b		12		2	20.00	15	1.25	10		19	12.00	8		17		8	20.00	7		7	
4c	6.00	13		3	26.00			11	3.50	20	6.00	9	80.00	19	12.00	9		8		8	
5		14		4	3.00			12	4.00			8x	90.00			10		9		9	
5a		15		5	3.75	1	4.00	13				9y	85.00			11		10		10	
5b		16		6	4.50	1a	7.00	14	3.00			10				12		11		11	
5c		17		7	2.00	2	20.00	15	1.25			11				13		12		12	
5d		18	15.00	8	3.75	3	26.00					12				14		13		13	
																		14		14	

STEERING GEOMETRY

1946-1947 MODELS

CASTER: 1 3/4 to 2 3/4 degree negative.

CAMBER: 3/8 degree negative to 3/8 degree positive.

TOE-IN: 1/32 to 3/32 in. negative (toe-out). Scurf plate reading: 8 ft. per mile.

CROSSWISE INCLINATION OF KING-PIN: 5 degree 51' at zero camber.

1948 MODELS

CASTER: Negative 1/2 to positive 1/2 degree.

CAMBER: Negative 3/8 to positive 3/8 degree.

TOE-IN: 1/32 to 3/32 in. negative (toe-out).

CROSSWISE INCLINATION OF KING-PIN: 5 degree 51' at zero camber.

ALL MODELS

CASTER: is controlled by FULL TURNS of the upper eccentric pin.

CAMBER: is controlled by eccentric upper pin and full range is obtained in one-half turn.

TOE-IN: should be adjusted at both tie rods to centralize the steering. Turn both rods in direction of forward wheel rotation to decrease toe-in.

